



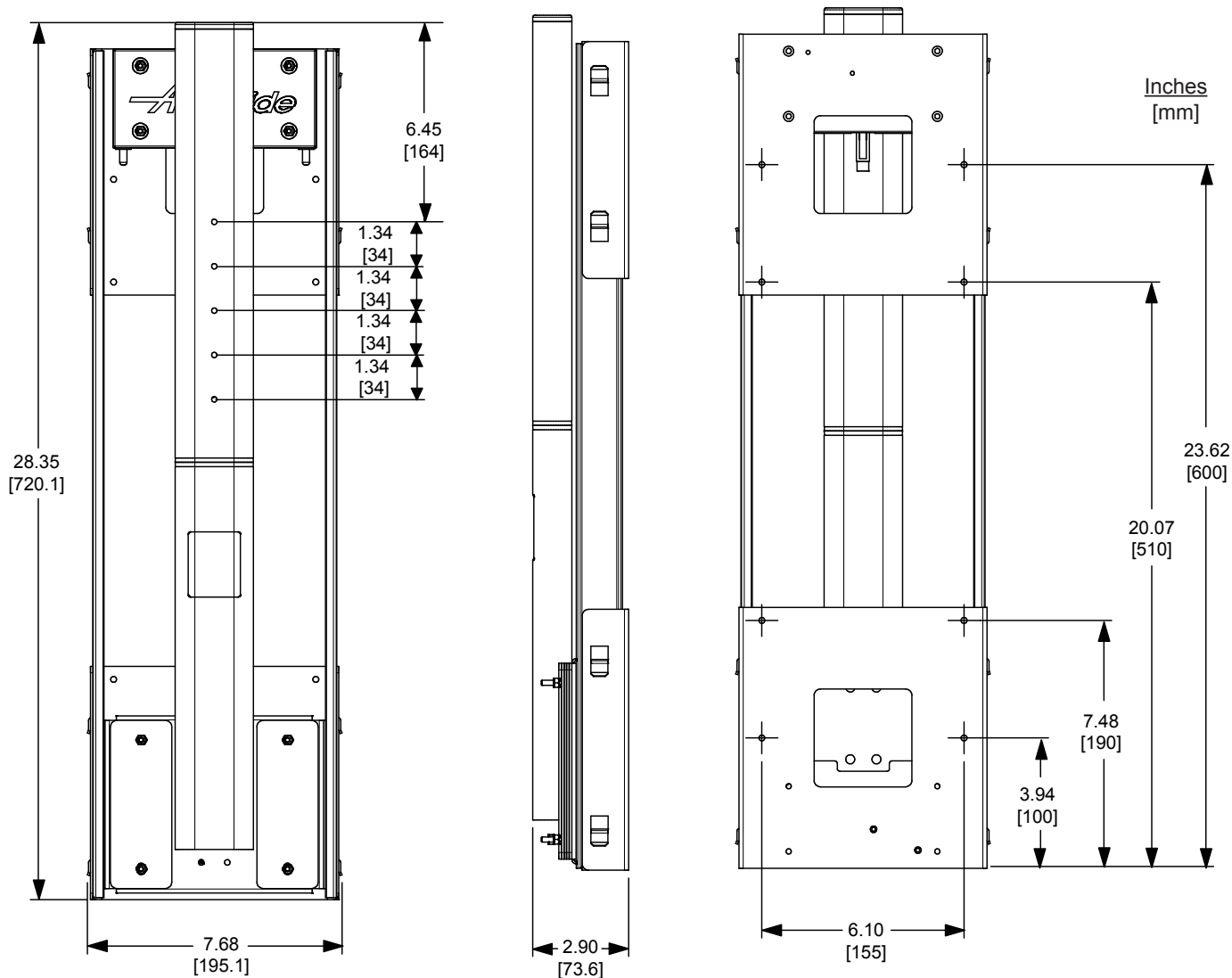
**ASCENT
CBLIFT-0019**

Manually operated,
push-to-lift mechanism
14.5 lbs. [6.6 kg] load capacity*
Easy Installation

APPLICATIONS: Designed to carry TV or computer screens in commercial, residential or industrial applications such as workstations, furniture, and diagnostic equipment.

**ASCENT
QUICK REFERENCE**

Minimum Inside Cabinet Dimensions
Width: 8.0"
Height: 28.5" Overlay Lid
27.6" Split Lid
Depth: Determined by components
Load: 5.5–14.5 lbs.
Screens up to 22" diagonal and 17.5" tall



- Finish** Black electroplate finish*
- Travel** 21.18" [538 mm]
- Load** 5.5–14.5 lbs [2.5–6.6 kg]
- Hardware** Fixing screws included
- Options** Additional Weight Packs, Weight Extension Plate Kit*, VESA Tilt Bracket and VESA Fixed Bracket Kits
- Features** Wire management and cable control kit included; swivels $\pm 112.0^\circ$

* RoHS compliant

WARNING

WARNING

The Ascent CBLIFT-0019 warranty is voided if the product is modified in any way or the instructions for the product are not followed.

Read all instructions before installing and operating the Ascent CBLIFT-0019.

Failure to read and follow the instructions can result in serious personal injury, damage to equipment, or voiding of factory warranty. It is the installer's responsibility to make sure all components are properly assembled and installed using the instructions provided.

Entrapment/Entanglement Hazard: When operating the Ascent, keep hands, clothing, and hair clear of the apparatus to prevent personal injury or damage to the mechanism.

CAUTION!

- The Ascent Lift is under strong spring force and must be transported in the open position.
- The Ascent Lift must be securely attached to the cabinet/structure walls and made stable to carry the intended load when operated.
- The Ascent Lift is designed for vertical use only.
- Do not operate the lift without attaching adequate counterbalance weights. See the weight matrix on page four.

Installation Instructions

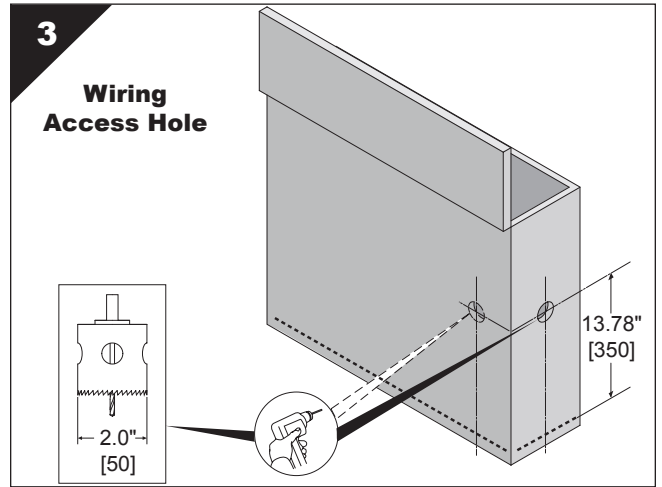
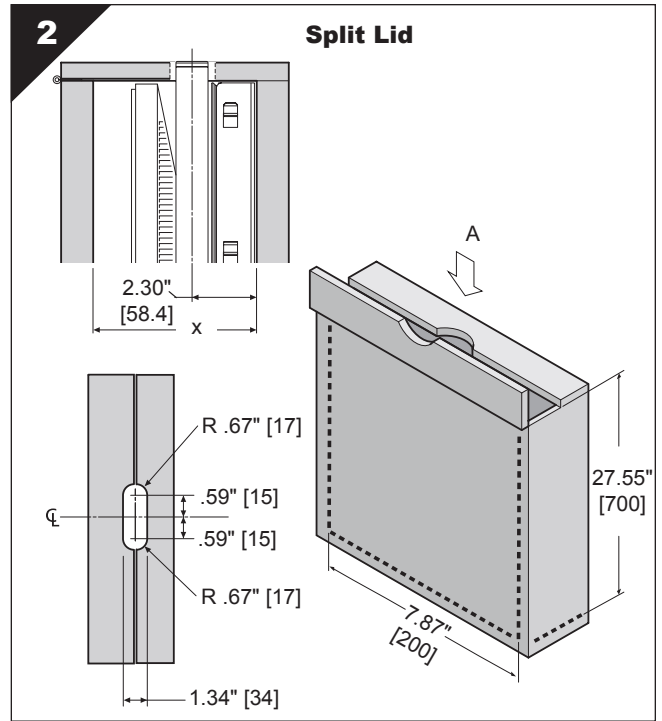
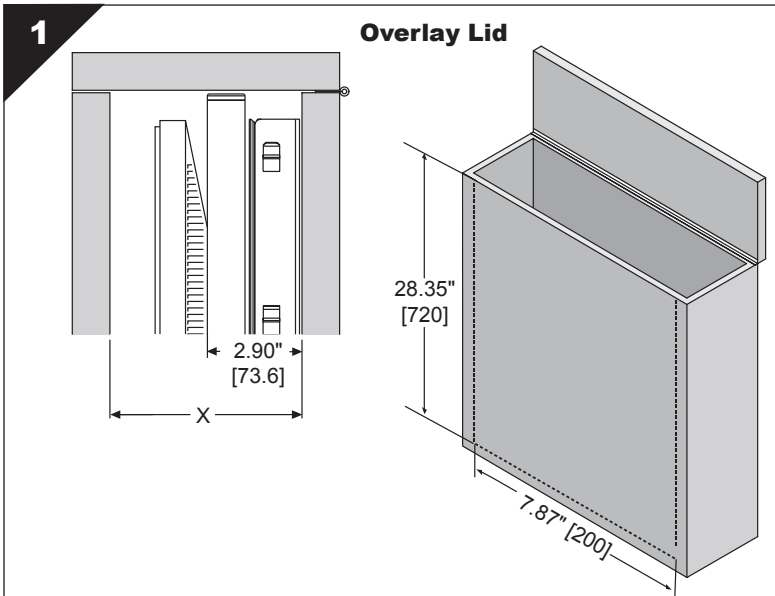
NOTE: The following minimum dimensions do not take into consideration the additional cabinet space required for screen width or depth. Be sure to provide adequate clearance for the intended screen or component. Maximum screen or component height is 17.5" [450] tall, and 22" diagonal.

Minimum Inside Cabinet Dimensions

- Width:** 8.0" [200 mm]
- Height:** 28.5" [720 mm] min. Overlay Lid
27.6" [700 mm] Split Lid
- Depth:** Dimension determined by lid construction and screen dimensions (Figure 1 and 2).

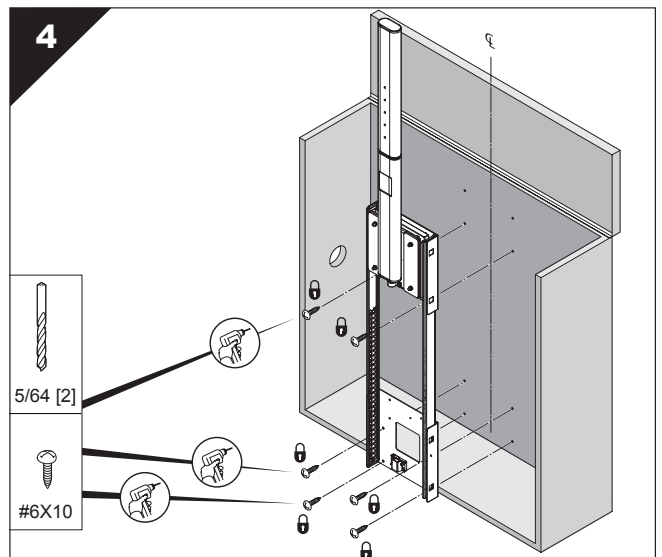
Wiring

Access: Locate and drill 2.0" [50 mm] access hole (Figure 3)

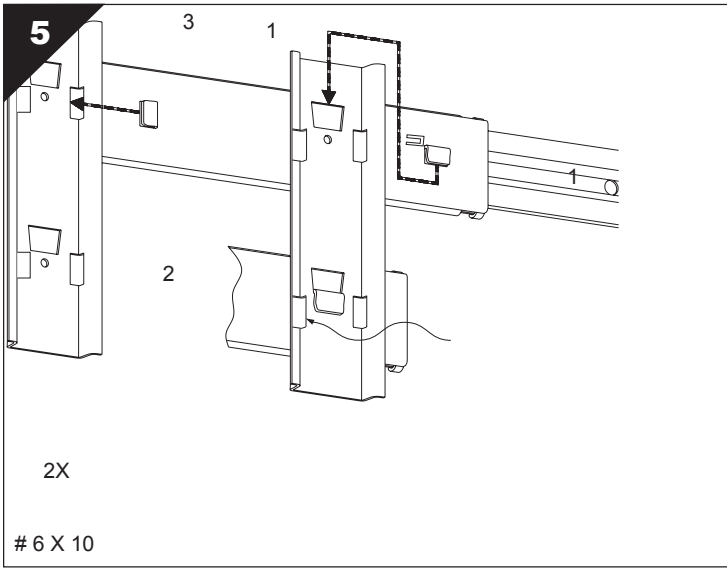


Lift Installation

Locate and mark the centerline of the cabinet opening. Mark and pre-drill mounting holes. Install six #6 X 10 screws into the fixing holes as shown in Figure 4.

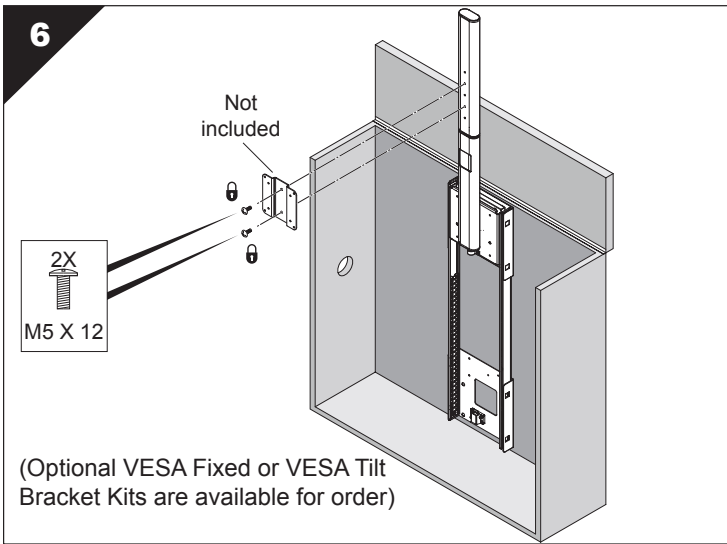


Lower the lift (see Figure 5) to the mid-travel point to expose the final two mounting holes. Install two #6 X 10 screws and secure.



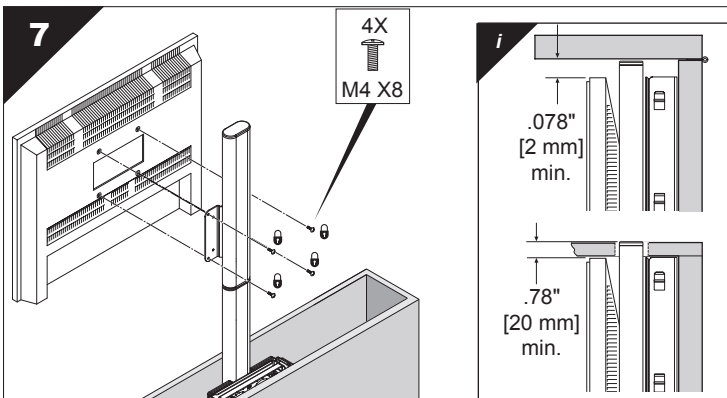
Bracket Installation

Install television/screen mounting bracket (not included). See the bracket kit technical sheet for detailed installation instructions (Figure 6).



Television/Screen Installation

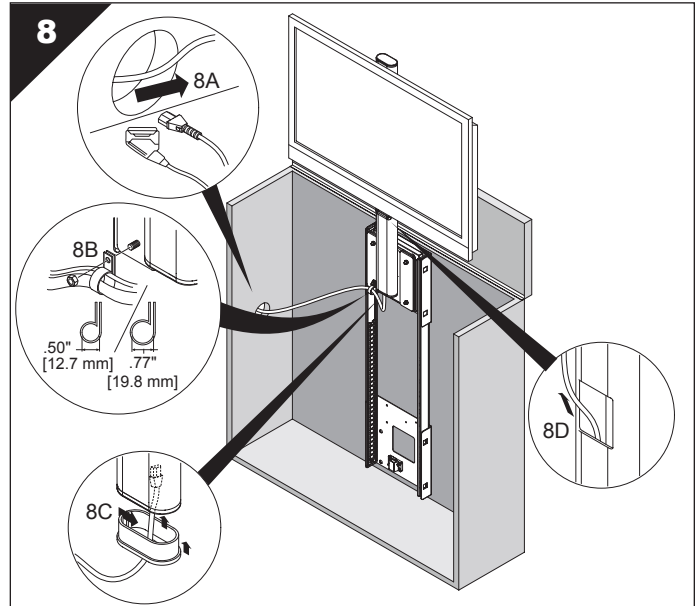
Install television/screen to mounting bracket (not included) (Figure 7). See the bracket kit technical sheet for detailed installation instructions. Note the detail below for minimum clearance dimensions for cabinet lids (Figure 7).



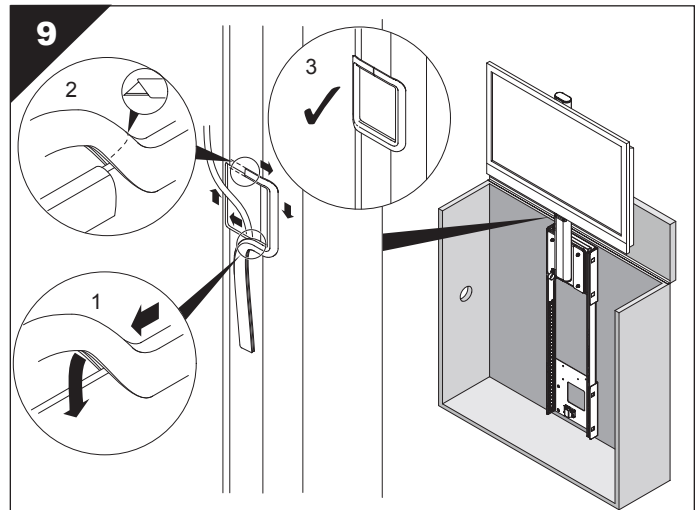
Route cables through wiring access hole in cabinet (Figure 8A). Insert cables through the opening of the wire grommet of the cable clamp (Figure 8B).

Insert wires into the bottom of the lift column and route to top of the column opening and to the back of the television/screen (Figure 8C and 8D).

Adjust the cable slack and attach the cable clamp (Figure 8B).



Install the edge protector on to the column opening to prevent wire damage (Figure 9).



Counterbalance Weight Installation

Weight plates are installed to counterbalance the weight of the television/screen.

The Ascent Lift comes with one weight pack, which includes 10 units @ 3.88 oz. [110 gm] each, totaling 2.43 lbs. [1.1 kgs.]. See the chart (next page) to determine the potential number of weight packs required for your specific installation. Additional optional weight packs may be ordered.

If more than two weight packs are required, order the Weight Extension Plate Kit (P/N 2990-9775-BE).

Important: Inadequate weight may cause the unit to lift too quickly. Too much weight will override the spring-action movement.

Note: Bracket and extension plate weights are accounted for within the calculations below.

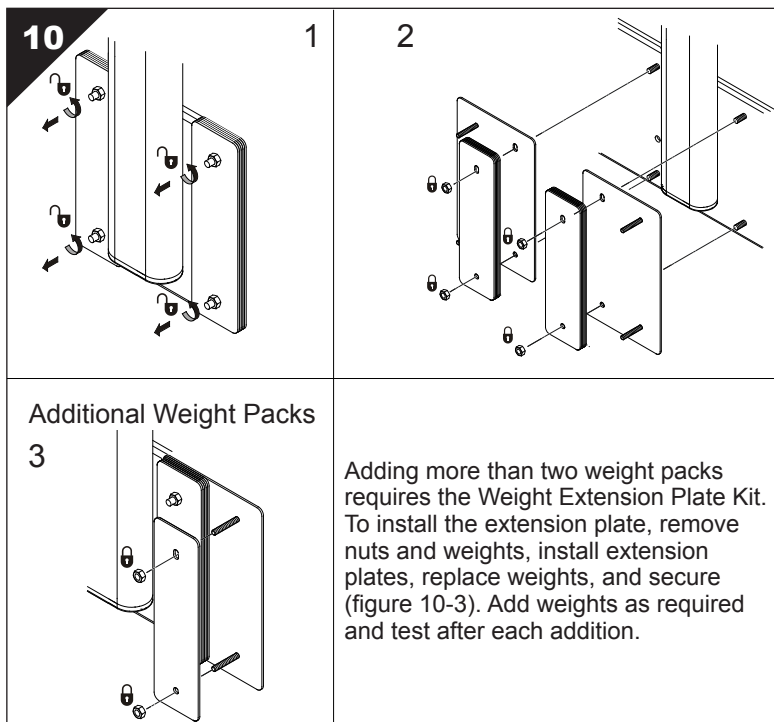
SCREEN WEIGHT	No BRACKET	FIXED BRACKET	TILT BRACKET
Min. Weight *	6.61 lbs./3 kg	5.73 lbs./2.6 kg	5.51 lbs./2.5 kg
Additional Weight Packs Recommended			
5.51—7.72 lbs [2.5—3.5 kg]	3	3	3
7.72—8.82 lbs [3.5—4.0 kg]	3	3	2
8.82—11.0 lbs [4.0—5.0 kg]	2	2	2
11.0—12.12 lbs [5.0—5.5 kg]	1	1	1
12.12—13.2 lbs [5.5—6.0 kg]	1	1	0
13.2—14.5 lbs [6.0—6.6 kg]	0	0	0
Maximum Weight** 14.5 lbs /6.6 kg			

* Weights less than this may not provide enough counterbalance for the mechanism and could cause rapid movement that may damage the unit or the installed item.

** Weights above this may override the spring-action of the lift, requiring manual movement.

Installing Weights

Remove nuts (figure 10-1), add weight plates, and secure nuts (figure 10-2). Fully close the Ascent and then press to release to test the counterbalancing. Add or remove one plate at a time to test movement.



Order the CB Lift-0019 by specifying the following:

Total Lifts Required 1 Each
Part Number CBLIFT-0019

Packaging/Hardware

- 8 each Wood Screws # 6 X 10
- 1 each Lift
- 1 each .78" [19.8] Cable Clamp
- 1 each .50" [12.7] Cable Clamp
- 1 each Edge Protector
- 1 each Wire Grommet
- 1 each Quick Installation Guide
- 1 each User's Guide*
- 1 each Technical Sheet

* **NOTE:** This item must be provided to the end-user.

Optional Kits

VESA Fixed Bracket (fasteners included):
P/N 2990-9777-BE

VESA Tilt Bracket (fasteners included):
P/N 2990-9776-BE

Weight Extension Plate Kit
(required if more than two weights packs used):
P/N 2990-9775-BE

Additional Weight Pack (3.88 oz. x 10 Plates):
P/N 2990-9774-BE

Specifications

Lift assembly: Cold rolled steel

RoHS Compliant

NOTE: Specifications, materials, prices, terms, and delivery are subject to change without notice.

WARRANTY

Accuride's Ascent CBLIFT-0019 is warranted against defects in workmanship or materials under normal use for **two (2)** years after date of purchase from an authorized Accuride distributor.

Accuride will repair or replace (as determined by Accuride or its authorized representative at its sole discretion) defective products at no charge to the original purchaser within the warranty period so long as the original purchaser returns the product, shipping prepaid, to Accuride or an authorized Accuride distributor. This represents Accuride's sole warranty obligation to original purchasers of its products.

This warranty is non-transferable. To the maximum extent permitted by applicable law, Accuride disclaims any other warranties, express or implied, including warranties of fitness for a particular purpose and warranties of merchantability. Accuride will not be liable for any damages whatsoever arising out of the use or inability to use the Ascent CBLIFT-0019, even if Accuride has been advised of the possibility of such damages. Accuride shall not be responsible for incidental or consequential damages, because some states or jurisdictions do not allow the exclusion or limitation of liability for consequential or incidental damages, the above limitation may not apply. Any repair or modification of the Ascent CBLIFT-0019 not performed or specifically authorized by Accuride will void the warranty provided above.

Accuride will not be responsible for damage to the Ascent CBLIFT-0019 caused by misuse, abuse, failure to properly package the product for return to Accuride,

or for damage caused by carriers during shipment either to or from Accuride or an authorized Accuride distributor.

This warranty does not extend to any damage to products used in conjunction with the Ascent CBLIFT-0019. Any repairs necessitated by misuse, abuse, or shipping damage to the Ascent CBLIFT-0019 or repairs of defective Lift returned after the warranty period has expired will be performed at then current rates established by Accuride for factory service.

For repair or replacement of an Ascent CBLIFT-0019, please send the damaged unit to the following shipping address, only after obtaining authorization from Accuride International Inc.

**Accuride International Inc.
Attn: Technical Services
12311 Shoemaker Ave.
Santa Fe Springs, CA 90670
www accuride.com**

The logo for Accuride, featuring the word "Accuride" in a stylized, italicized, sans-serif font. A horizontal line is positioned above the first few letters of the word.

ACCURIDE INTERNATIONAL INC.

12311 Shoemaker Avenue
Santa Fe Springs, CA 90670

TEL (562) 903-0200

FAX (562) 903-0208

www accuride.com

Manufacturing, Engineering, and Sales

United States • Germany • Japan • Mexico • United Kingdom • China