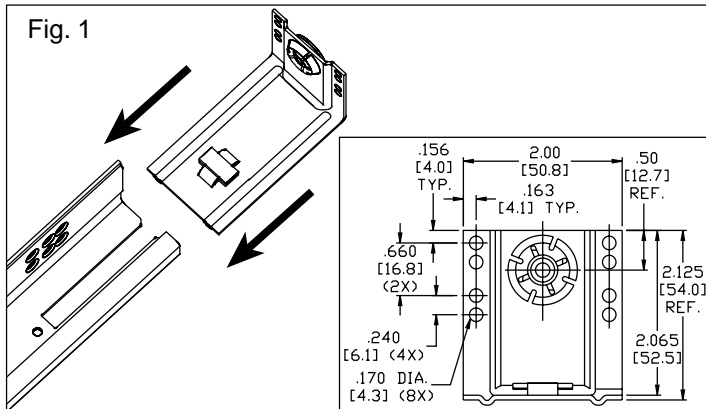




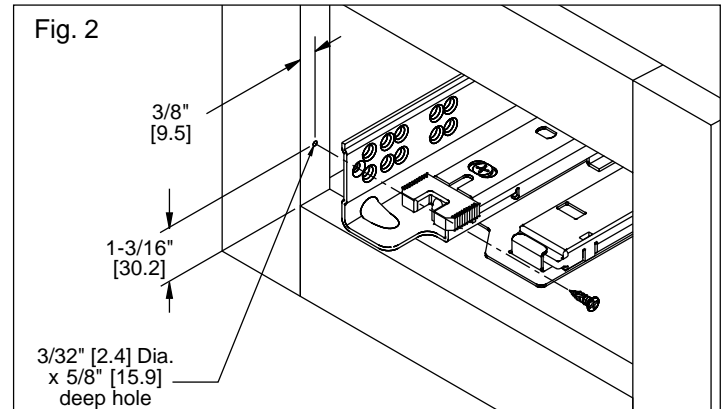
This product is covered by U.S. and various foreign patents issued and/or pending.

Face Frame Bracket Kit  
Part Number 4180-0560-XE

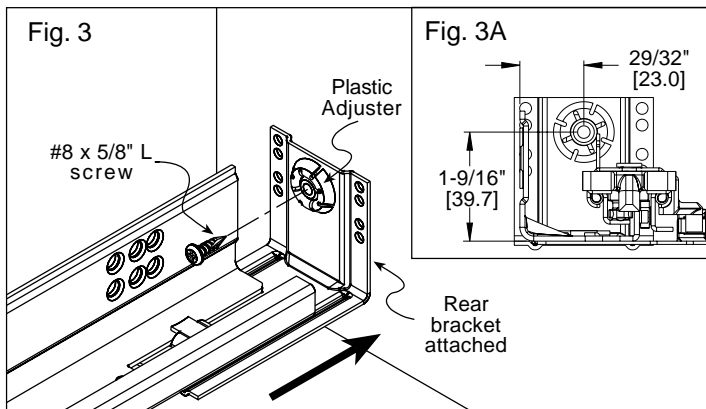
For use with models  
3132SC Self-Close  
3132EC Easy-Close



**FIGURE 1**  
Push bracket onto the rear notch of the slide.

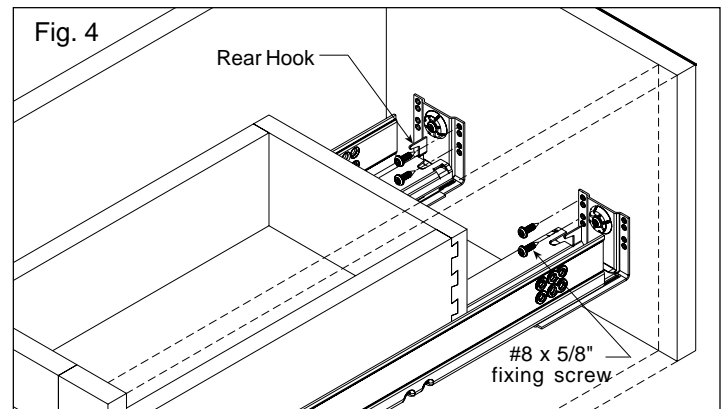


**FIGURE 2**  
Pre-drill the front face frame hole. An optional drill jig can be used for pre-drilling this hole. Install front of slide to cabinet front face frame hole with #8 flat head screw.



**FIGURE 3**  
Extend the rear bracket until it contacts the rear wall of the cabinet.

Install #8 pan head screw through the adjuster to the cabinet rear wall. Screw hole location is shown in figure 3A. The adjuster clip will lightly hold the bracket in place to allow further adjustments after the drawer is installed.



**FIGURE 4**  
See the Eclipse installation sheet for drawer dimensions and preparation.

Connect the drawer to the slides. Lower the drawer onto the slides and push until the handles lock onto the front of the slides.

Pull drawer to the extended position. Adjust the rear bracket vertically and horizontally to ensure the mounted drawer is square to the cabinet and the slides are parallel to each other.

Secure the rear bracket to the cabinet wall with additional #8 pan head screws.

### Ordering/Packaging Information

Face frame brackets are ordered as a kit, or in bulk. Brackets are provided in clear zinc finish. Mounting screws are not included.

To order the kit, specify part number 4180-0560-XE. Each kit contains 2 rear bracket assemblies, 6 each #8 x 5/8" screws and one installation sheet.



ACCURIDE INTERNATIONAL INC.

12311 Shoemaker Avenue  
Santa Fe Springs, CA 90670

TEL (562) 903-0200

FAX (562) 903-0208

www accuride.com

Manufacturing, Engineering, and Sales

United States • Germany • Japan • Mexico • United Kingdom