

# TANDEM plus BLUMOTION Inset bracket set

Supplement to

TANDEM

LIT.TDM1000.08.09

## Application



## Description

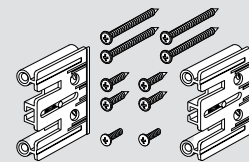
- Bracket for mounting 562H/562F TANDEM plus BLUMOTION runners in inset face frame applications
- Works with all inset face frame applications (including beaded inset and flush bottom)
- Adds a 5/8" minimum depth adjustment range when used with a screw-on bracket for rear attachment
- Requires minimum 3/4" frame offset
- Made in the U.S.A.

## Components

### Inset bracket set

#### Set includes:

- Inset bracket (qty 2)
- #8-32 x 1/2" machine screw (qty 2)
- #7 x 2" truss head, type 17 screw (qty 4)
- #6 x 3/4" truss head, type 17 screw (qty 4)



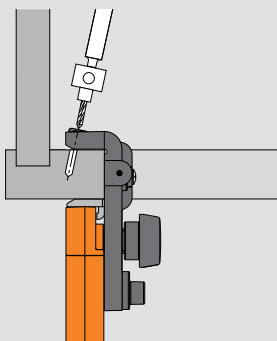
Part no.

Inset bracket set

295.7130

## Installation

- 1 Using Blum's PlateMate, pre-bore two Ø2.5 mm holes 32 mm apart and 1/2" deep

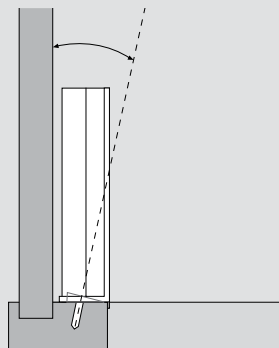


Part no.

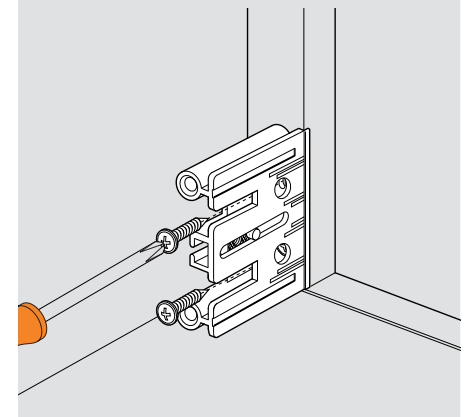
PlateMate

65.5030.01

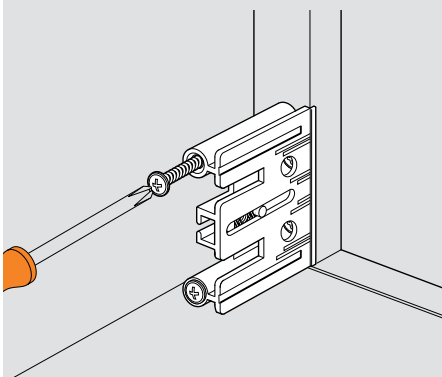
- 2 Align the inset bracket with the pre-bored holes



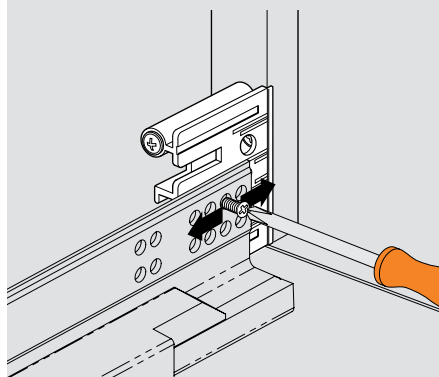
- 3 Mount the inset bracket with two #6 x 3/4" wood screws into the prebored holes



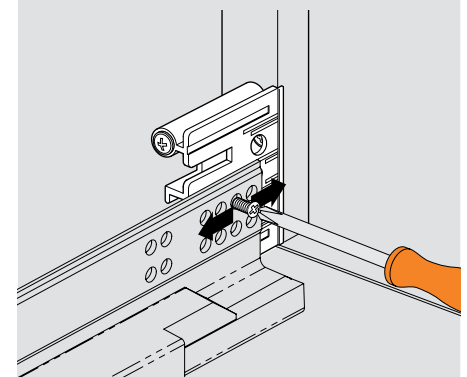
- 4 Secure the inset bracket with two #7 x 2" wood screws to ensure holding strength and durability



- 5 Attach the TANDEM plus BLUMOTION runner to the threaded insert in the inset bracket with one #8-32 machine screw



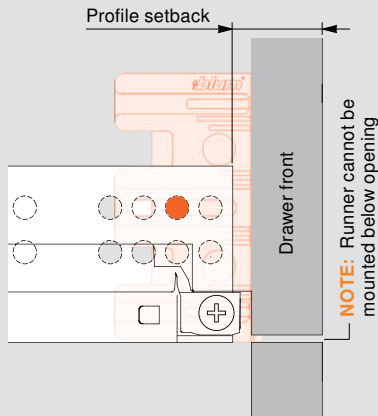
- 6 Secure the runner tightly at the setback suggested in the chart on the back



# TANDEM plus BLUMOTION Inset bracket set

## Installation

### Mounting the TANDEM profile for inset applications



Sub-front thickness	562H Profile setback			562F Profile setback		
13 (1/2")	18 (11/16")	21 (13/16")	24 (15/16")	15 (9/16")	18 (11/16")	21 (13/16")
16 (5/8")	21 (13/16")	24 (15/16")	27 (1-1/16")	18 (11/16")	21 (13/16")	24 (15/16")
19 (3/4")	24 (15/16")	27 (1-1/16")	30 (1-3/16")	21 (13/16")	24 (15/16")	27 (1-1/16")
	16 (5/8")	19 (3/4")	22 (7/8")	16 (5/8")	19 (3/4")	22 (7/8")
	Drawer front thickness					

- Setbacks shown are for drawer fronts that are flush with the face frame
- For recessed drawer fronts or to allow for adjustability with the PV and PS locking devices, the setback must be increased
- After installation, adjust the locking device until the drawer front is in the desired position (out adjustment only)

### Calculating Profile setback

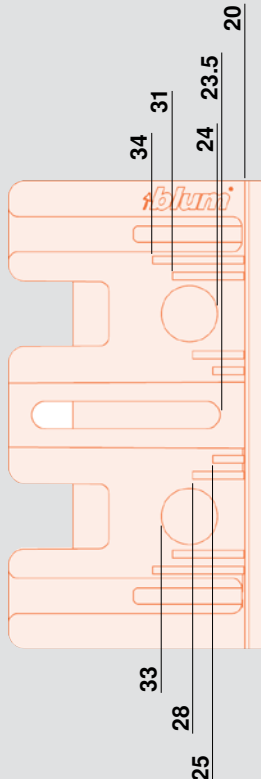
For 562H runners: Profile setback = drawer sub-front thickness + drawer front thickness minus 11 (7/16")

For 562F runners: Profile setback = drawer sub-front thickness + drawer front thickness minus 14 (9/16")

**NOTE:** For second mounting hole position (shown in orange), add 15 (9/16") to Profile setback

### Easy setback guides

The inset bracket allows the runner to be setback the proper distance without the need for measuring. Simply align the front of the runner with the correct point on the bracket for the required setback.



**Example:** 19 mm drawer front  
16 mm subfront  
562H runners  
This requires a 24 mm setback

When using Blum's standard locking devices set the runner back to the 24 mm mark

When using one of Blum's depth adjustable locking devices set the runner back to the 25 mm mark and adjust out 1 mm using the adjustment screws on the locking devices

