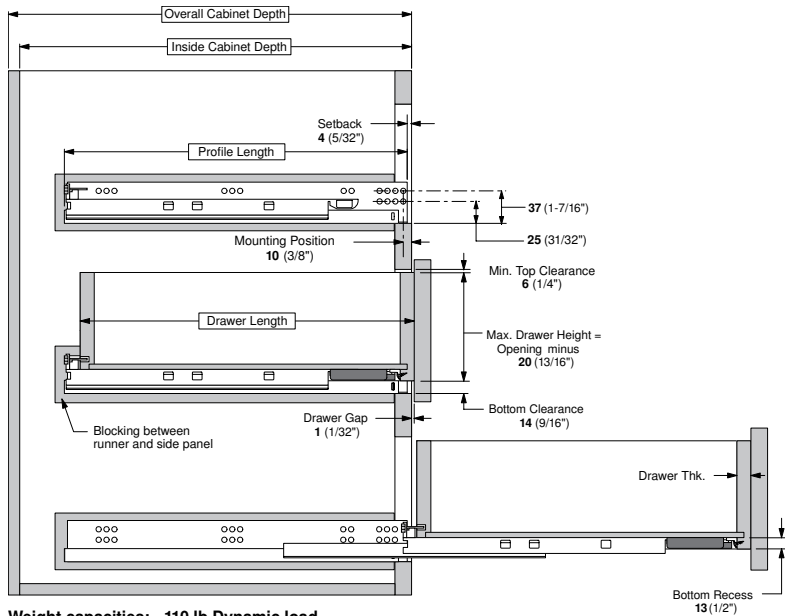


Cabinet & Drawer Specifications

Frame cabinet applications



Weight capacities: 110 lb Dynamic load
125 lb Static load

Runner	Overall Cabinet Depth	Minimum Inside Cabinet Depth	Drawer Length	Max. Drawer Thk.	Profile Length
568H5330B	610 (24")	553 (21-3/4")	533 (21")	16 (5/8")	546 (21-1/2")
568H4570B	533 (21")	477 (18-3/4")	457 (18")	(5/8")	470 (18-1/2")

T51.1700.04R Locking device (right)
T51.1700.04L Locking device (left)

612TH Installation screw (for locking devices and rear mounting brackets)
707N Installation screw (for mounting runner to cabinet side)

All dimensions in millimeters. (Inch equivalents as noted)

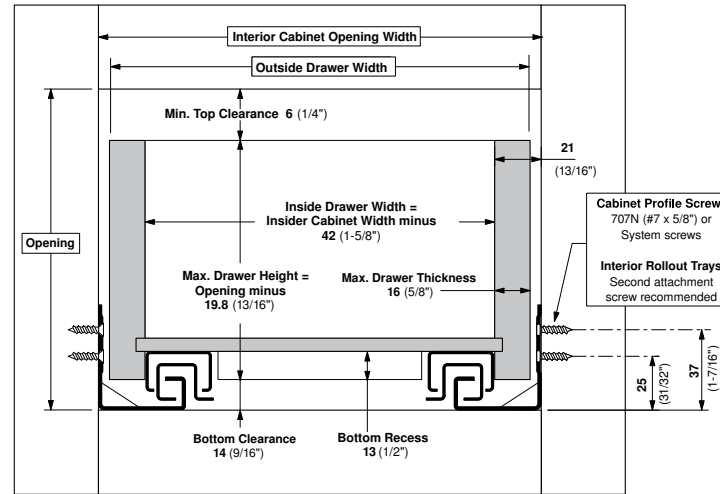
Subject to technical modifications without notice. Copyright 2009

Drawer Size & Mounting Positions

For Frame and Panel cabinet applications

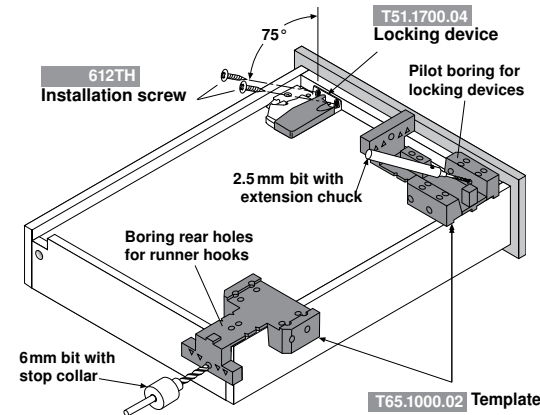
Calculating outside drawer width					
For drawer side thickness	16 (5/8")	15 (19/32")	14 (9/16")	13 (1/2")	12 (15/32")
Deduct from inside cabinet width	10 (3/8")	13 (15/32")	14 (9/16")	16 (5/8")	18 (23/32")

Example: For 21" inside cabinet width and a 5/8" thick drawer, 21" minus 3/8" = 20-5/8" drawer width



Important: Because material thickness may vary, the inside drawer width must equal interior cabinet width minus 42 (1-5/8") for TANDEM to align and run properly.

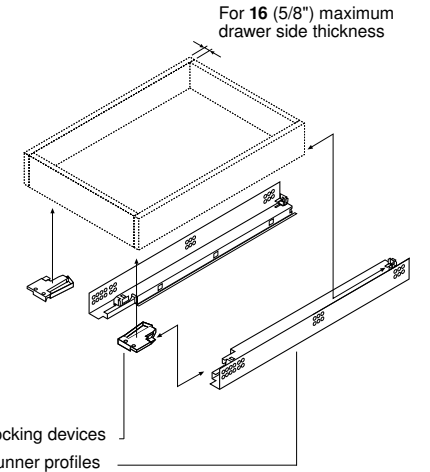
Preparing drawer for hardware installation



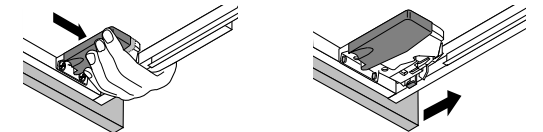
Important: Use of the T65.1000.02 template is recommended for accurate location and angle of locking device pilot holes.

Installation Instructions TANDEM Plus 568H Series

Full extension heavy duty drawer runners



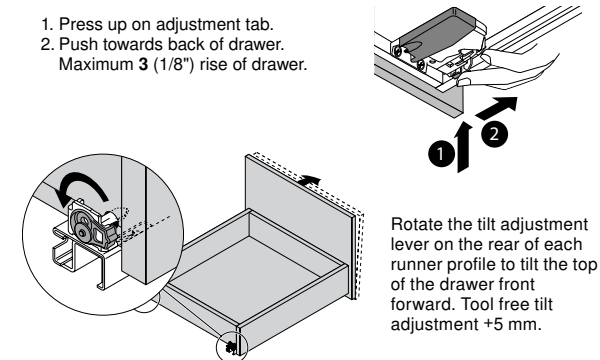
Drawer removal and installation



- Squeeze orange handles on locking devices
- Pull drawer straight out and up

Height and Tilt adjustment

- Press up on adjustment tab.
- Push towards back of drawer. Maximum 3 (1/8") rise of drawer.



INST-TDM568HC LIT.4034.10.09

Subject to technical modifications without notice. Copyright 2009 INDR 643.719.0 MA-193/0EN

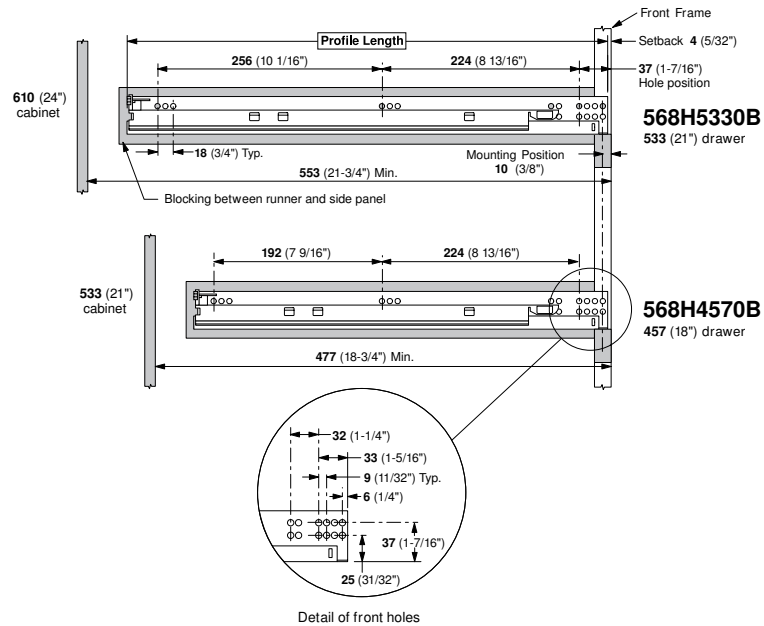


TANDEM Plus 568H Cabinet Profile Specifications

Frame cabinet applications

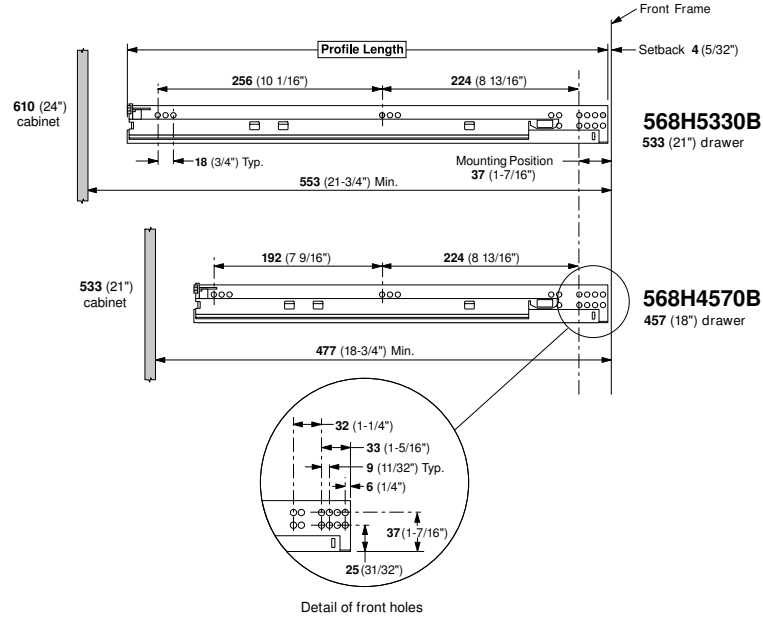
NOTE: For heavy duty applications, rear brackets and sockets cannot be used. Cabinet sides must be blocked out flush with the inside of the frame

NOTE: Grey dots indicate screw locations required to meet specified load capacities (minimum 5 screws)

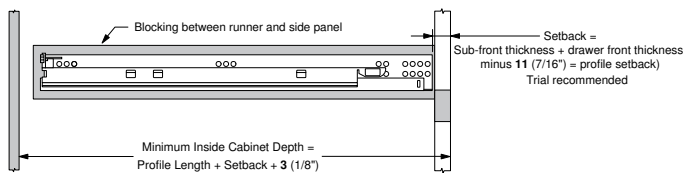


Panel cabinet applications

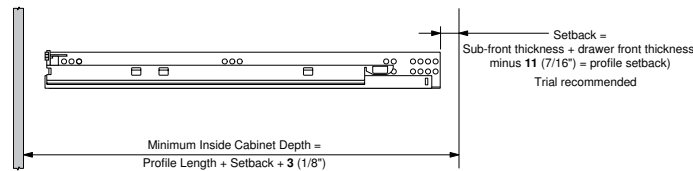
NOTE: Grey dots indicate screw locations required to meet specified load capacities (minimum 5 screws)



Inset drawer front applications



Inset drawer front applications

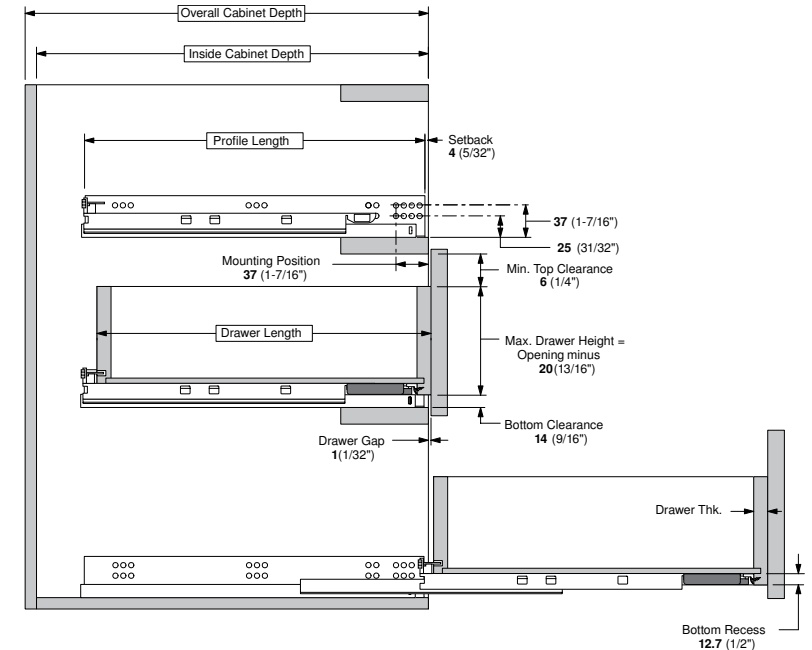


Millimeter to inch equivalents

1	1.5	2	3	4	5	5.5	6	7	8	9	9.5	10	11	12	13	13.5	14	15	16	17	17.5	18	19	20	20.5	21	22	23	24	24.5	25.4
1/32	1/16	3/32	1/8	5/32	3/16	7/32	1/4	9/32	5/16	11/32	3/8	13/32	7/16	15/32	1/2	17/32	9/16	19/32	5/8	21/32	11/16	23/32	3/4	25/32	13/16	27/32	7/8	29/32	15/16	31/32	1

Cabinet & Drawer Specifications

Panel cabinet applications



Runner	Overall Cabinet Depth	Minimum Inside Cabinet Depth	Drawer Length	Max. Drawer Thk.	Profile Length
568H5330B	610 (24")	553 (21-3/4")	533 (21")	16 (5/8")	546 (21-1/2")
568H4570B	533 (21")	477 (18-3/4")	457 (18")		470 (18-1/2")

T51.1700.04R Locking device (right)
T51.1700.04L Locking device (left)

612TH Installation screw (for locking devices and rear mounting brackets)
707N Installation screw (for mounting runner to cabinet side)

All dimensions in millimeters. (Inch equivalents as noted)

Subject to technical modifications without notice. Copyright 2009

