

# STA-RITE® ProJet™ SL Series

Cast iron, self-priming convertible jet pumps



The ProJet SL convertible jet pumps offer a proven cast iron self-priming design available in 1/2 to 1-1/2 HP models. The ProJet SL convertible jets utilize the built-in regulators, offering easier priming and better range of performance from a complete line of shallow well, 4" double pipe, 2" and 3" single pipe jet packages.

## APPLICATIONS

**Water systems and sprinkling...**  
for homes, farms and cottages.

## SPECIFICATIONS

**Body and Seal Plate:** Close-grained cast iron

**Impeller:** High-strength Noryl®

**Diffuser:** Reinforced polypropylene with brass wear ring

**Shaft:** One-piece threaded 416 stainless steel

**Base:** Steel, 12 gauge

**Max. Liquid Temperature:** 140°F

**Max. Inlet Pressure:** 50 PSI

**Pressure Switch Pre-Set:** 30–50 PSI

**Suction Ports:** "Suction-over-Drive"

## FEATURES

**Quality Construction:** Close-grained cast iron pump body is rugged one-piece unit, specially treated to resist corrosion. Drain port provided for easy winterizing.

**Noryl Impeller:** Precision-molded for perfect balance...ultra-smooth for highest performance and efficiency.

**Precision-Molded Diffuser:** Pump primes faster, handles more air, with multi-port, precision-molded, reinforced polypropylene diffuser.

**Pressure Switch:** High-quality, cut-in pressure setting is adjustable. Fixed 20 PSI differential.

**Mechanical Shaft Seal:** Precision-lapped and highly polished carbon-ceramic, stainless steel construction. Internal design guarantees continuous water lubrication for maximum protection.

**Motor Windings:** Superior insulation materials protect against excessive moisture and contaminants...assures prolonged motor life.

**Balanced Rotor:** Diecast under high pressures for uniform performance and greater efficiency...dynamically balanced.

**Heavy-Duty Ball Bearings:** Shielded, permanently lubricated bearings, extensively tested to ensure extended life and smooth, quiet operation.

**Pump and Motor Shaft:** 416 stainless steel for maximum corrosion resistance; one-piece threaded shaft for positive impeller drive and alignment.

**Dustproof Cover:** Dustproof canopy protects all electrical components from dirt, dust and insects; ventilating air cannot contaminate vital switching components... eliminates the most common cause of motor failure.

## ORDERING INFORMATION

CATALOG NUMBER	HP	DESCRIPTION	PIPE TAPPING SIZES			MOTOR VOLTAGE	APPROX. WT. LBS.
			SUCT.	DRIVE	DISCH.		
SLC	1/2	Deep Well Jet	1-1/4"	1"	1"	115/230	40
SLD	3/4	Deep Well Jet	1-1/4"	1"	1"	115/230	42
SLE	1	Deep Well Jet	1-1/4"	1"	1"	115/230	60
SLF	1-1/2	Deep Well Jet	1-1/4"	1"	1"	115/230	65

A Jet Package should be ordered with every SL Series Pump.

NOTE: Pumps installed with a Pro-Source® tank require a 100 PSI relief valve. Pumps installed with a conventional tank require a 75 PSI relief valve. Relief valve must be capable of relieving flow of pump at relief pressure.

Pentair trademarks and logos are owned by Pentair plc or its affiliates. All other third party registered and unregistered trademarks and logos are the property of their respective owners.

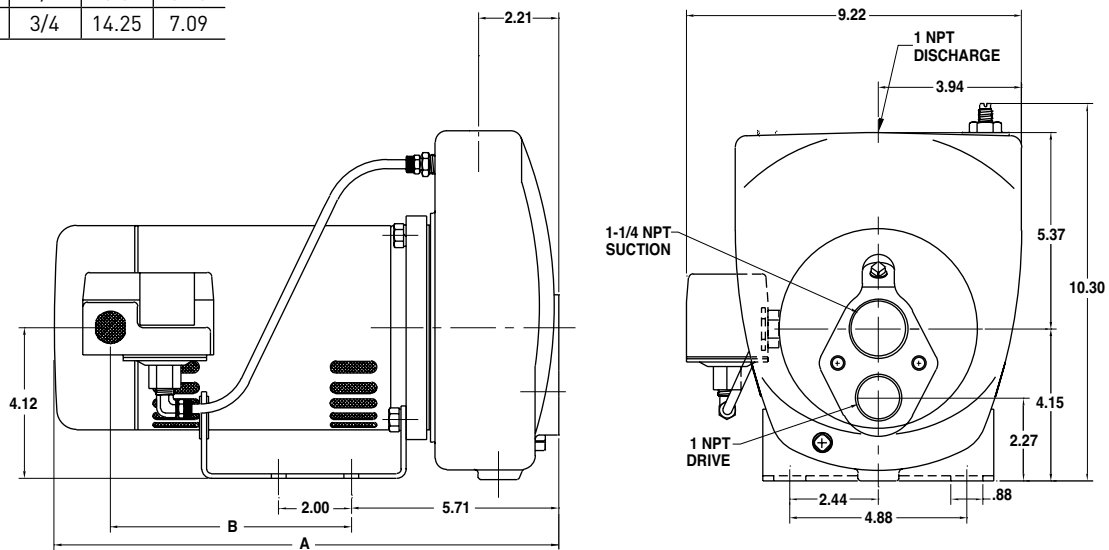
# STA-RITE® ProJet™ SL Series

Cast iron, self-priming convertible jet pumps

## OUTLINE DIMENSIONS

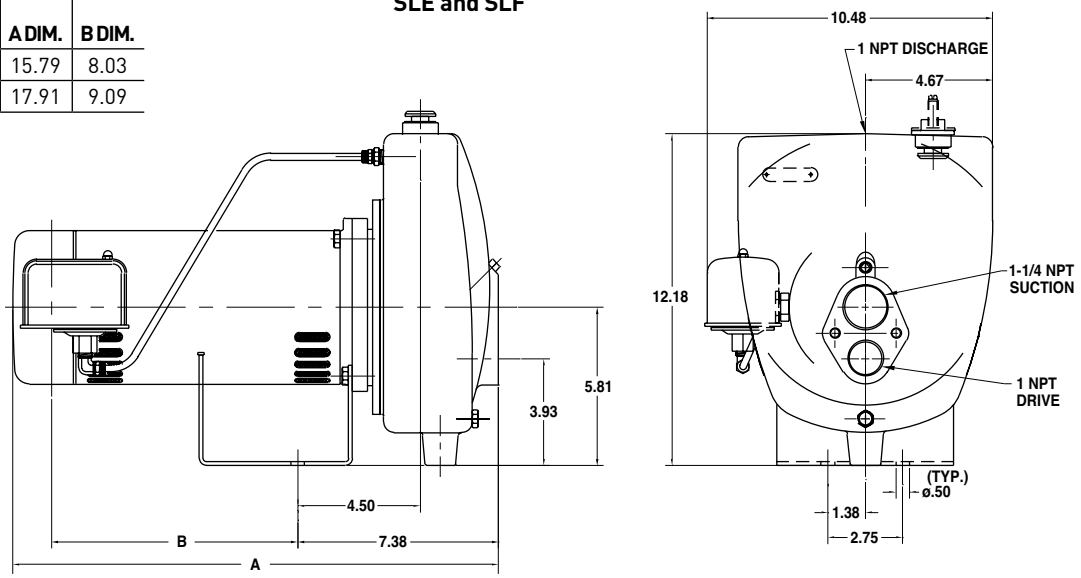
CATALOG NUMBER	HP	ADIM.	BDIM.
SLC	1/2	13.62	6.46
SLD	3/4	14.25	7.09

SLC and SLD



CATALOG NUMBER	HP	ADIM.	BDIM.
SLE	1	15.79	8.03
SLF	1-1/2	17.91	9.09

SLE and SLF



Dimensions (in inches) are for estimating purposes only.

# STA-RITE® ProJet™ SL Series

Cast iron, self-priming convertible jet pumps

<b>PUMP PERFORMANCE</b> (Capacity in gallons per minute)																											
<b>SHALLOW WELL – 5', 10', 15', 20' AND 25' PUMPING DEPTHS</b>																											
CAT. NO.	HP	DISCH. PRESS.	PUMPING DEPTH TO WATER IN FEET																								
			5 FT. LIFT				10 FT. LIFT				15 FT. LIFT				20 FT. LIFT				25 FT. LIFT								
SLC	1/2	<b>JET PACKAGE</b>	10SD	29SD	CK3			10SD	29SD	CK3			10SD	29SD	CK3			10SD	29SD	CK3			10SD	29SD	CK3		
		Venturi N32P-	-67B	-66B	-78B			-67B	-66B	-78B			-67B	-66B	-78B			-67B	-66B	-78B			-67B	-66B	-78B		
		Nozzle J34P-	-44	-41	-41			-44	-41	-41			-44	-41	-41			-44	-41	-41			-44	-41	-41		
		20 PSI	12.0	9.1	5.9			9.7	8.4	5.4			12.0	7.3	4.7			9.7	6.2	4.0			6.7	4.7	3.1		
		30 PSI	10.8	9.0	5.8			9.5	8.3	5.3			10.8	7.2	4.6			9.5	6.1	3.9			6.7	4.7	3.0		
		40 PSI	5.2	7.9	5.6			4.2	7.2	5.2			5.2	6.3	4.5			4.2	5.4	3.8			2.5	4.1	2.9		
		50 PSI		4.1	4.5				3.8	4.1				3.3	3.6				2.8	3.1				2.1	2.3		
		60 PSI			2.4					2.2					1.9					1.6							
		Shut-off-PSI	53	61	70			51	58	66			49	56	64			47	54	61			45	52	58		
SLD	3/4	<b>JET PACKAGE</b>	11SD	10SD	29SD	CK5			11SD	10SD	29SD	CK5			11SD	10SD	29SD	CK5			11SD	10SD	29SD	CK5			
		Venturi N32P-	-68B	-67B	-66B	-66B			-68B	-67B	-66B	-66B			-68B	-67B	-66B	-66B			-68B	-67B	-66B	-66B			
		Nozzle J34P-	-44	-44	-41	-45			-44	-44	-41	-45			-44	-44	-41	-45			-44	-44	-41	-45			
		20 PSI	20.6	14.4	10.1	6.6			19.0	13.2	9.3	6.1			16.5	11.5	8.1	5.3			13.3	9.5	6.9	4.5			
		30 PSI	19.6	14.3	9.9	6.5			18.1	13.1	9.1	6.0			15.7	11.4	7.9	5.2			13.3	9.5	6.7	4.4			
		40 PSI	10.3	12.1	9.8	6.4			9.4	11.2	9.0	5.9			8.2	9.7	7.8	5.1			6.4	8.3	6.6	4.3			
		50 PSI		4.6	7.3	6.3				4.3	6.7	5.8				3.7	5.8	5.0				2.6	4.9	4.3			
		60 PSI			3.5	5.8					3.2	5.3					2.8	4.6					2.4	3.9			
		Shut-off-PSI	55	59	70	72			53	57	66	67			50	55	64	65			48	53	61	63			
SLE	1	<b>JET PACKAGE</b>	12SD	11SD	CK1	CK5	CK1	12SD	11SD	CK1	CK5	CK1	12SD	11SD	CK1	CK5	CK1	12SD	11SD	CK1	CK5	CK1	12SD	11SD	CK1	CK5	CK1
		Venturi N32P-	-65	-68B	-72E	-67B	-72	-65	-68B	-72E	-67B	-72	-65	-68B	-72E	-67B	-72	-65	-68B	-72E	-67B	-72	-65	-68B	-72E	-67B	-72
		Nozzle J34P-	-44	-44	-43	-45	-43	-44	-44	-43	-45	-43	-44	-44	-43	45	-43	-44	-44	-43	-45	-43	-44	-44	-43	-45	-43
		20 PSI	24.2	20.3	14.5	12.6	8.6	23.2	19.4	13.9	12.1	8.3	20.2	16.9	12.1	10.5	7.2	17.7	13.6	10.3	8.2	6.1	12.5	10.4	7.9	6.2	4.7
		30 PSI	24.0	20.3	14.4	12.4	8.5	23.0	19.4	13.8	11.8	8.2	20.0	16.9	12.0	10.3	7.1	17.7	13.6	10.2	8.0	6.0	12.5	10.4	7.8	6.0	4.6
		40 PSI	16.7	16.4	13.7	12.2	8.3	16.0	15.8	13.1	11.7	7.9	13.9	13.7	11.4	10.2	6.9	11.8	11.5	9.7	7.8	5.9	10.3	8.3	7.4	5.8	4.5
		50 PSI			12.6	12.0	8.2			12.1	11.5	7.8			10.5	10.0	6.8			8.9	7.7	5.8			6.8	5.7	4.4
		60 PSI			6.0	8.2	6.1			5.8	7.8	5.9			5.0	6.8	5.1			4.3	5.8	4.3			3.3	4.8	3.3
		70 PSI				4.2	2.9				4.0	2.8				3.5	2.4				2.8	2.0				2.0	1.6
Shut-off-PSI	61	62	71	80	82	59	60	69	78	79	57	58	67	76	77	54	55	65	74	75	52	53	63	72	73		
SLF	1-1/2	<b>JET PACKAGE</b>	12SD	CK2	60SD			12SD	CK2	60SD			12SD	CK2	60SD			12SD	CK2	60SD			12SD	CK2	60SD		
		Venturi N32P-	-65	-64	-64			-65	-64	-64			-65	-64	-64			-65	-64	-64			-65	-64	-64		
		Nozzle J34P-	-44	-44	-45			-44	-44	-45			-44	-44	-45			-44	-44	-45			-44	-44	-45		
		20 PSI	26.8	21.6	18.4			24.6	19.9	16.9			21.4	17.3	14.7			18.2	14.7	12.5			13.9	11.2	9.6		
		30 PSI	26.5	21.5	18.1			24.4	19.8	16.7			21.2	17.2	14.5			18.0	14.6	12.3			13.8	11.2	9.4		
		40 PSI	22.9	21.3	17.5			21.0	19.6	16.1			18.3	17.0	14.0			15.6	14.5	11.9			11.9	11.1	9.1		
		50 PSI	15.1	16.8	17.3			13.9	15.4	15.9			12.1	13.4	13.8			10.3	11.4	11.7			7.9	8.7	9.0		
		60 PSI		4.0	15.6				3.7	14.4				3.2	12.5				2.7	10.6				2.1	8.1		
		70 PSI			4.1					3.8					3.3					2.8							
Shut-off-PSI	61	71	77			59	69	75			57	67	73			55	65	71			53	63	68				

Pumps are supplied with 30-50 pressure switch setting. Cut-in pressure settings are adjustable.

# STA-RITE® ProJet™ SL Series

Cast iron, self-priming convertible jet pumps

<b>PUMP PERFORMANCE</b> (Capacity in gallons per minute)																	
<b>DEEP WELL (40 PSI) 4" DOUBLE PIPE</b>																	
CAT. NO.	HP	JET NO.	USES VENTURI	USES NOZZLE	PUMPING DEPTH IN FEET											MAX. PUMP SHUT-OFF PRESSURE PSI	
					20'	30'	40'	50'	60'	70'	80'	90'	100'	110'	120'	JET AT 20 FT. DEPTH	JET AT MAX. DEPTH
SLC	1/2	4SD	J32P-24	J34P-41	5.9	4.5	3.4	2.3								68	54
		15SD	J32P-18	J34P-42	4.6	3.9	3.3	2.8	2.3	1.7						84	59
SLD	3/4	CK3	J32P-26	J34P-41	9.4	8.0	6.6									77	68
		54SD	J32P-22	J34P-44	8.0	6.9	5.7	4.8	3.8	3.2						94	70
		CK5	N32P-66B	J34P-45	7.3	6.2	5.0	4.0								83	69
		55SD	J32P-18	J34P-43	5.0	4.3	3.7	3.2	2.6	2.2	1.8	1.5				96	63
SLE	1	CK1	N32P-72	J34P-43	13.2	10.8	8.4	6.3	4.2							74	56
		CK2	J32P-24	J34P-44	13.0	11.5	9.9	8.7	7.5	6.6	5.4					105	80
		54SD	J32P-22	J34P-44	8.5	7.7	6.7	6.3	5.8	5.4	4.8	4.0	3.7	3.4	2.7	122	73
SLF	1-1/2	54SD	J32P-22	J34P-44	9.5	8.5	7.4	6.9	6.5	6.0	5.5	4.8	4.2	3.6	2.9	127	76

Tank body on SLF pump tapped 1-1/4" x 1". On SLF pump, drop pipe should be increased to 1-1/2" x 1-1/4" to ensure adequate capacity from pump.

<b>PUMP PERFORMANCE</b> (Capacity in gallons per minute)																	
<b>DEEP WELL (40 PSI) 2" SINGLE PIPE</b>																	
CAT. NO.	HP	JET NO.	USES VENTURI	USES NOZZLE	PUMPING DEPTH IN FEET											MAX. PUMP SHUT-OFF PRESSURE PSI	
					20'	30'	40'	50'	60'	70'	80'	90'	100'	110'	120'	JET AT 20 FT. DEPTH	JET AT MAX. DEPTH
SLC	1/2	8AP	J32P-18	J34P-42	4.7	4.1	3.4	2.5	1.9	1.5						84	58
SLD	3/4	54AP	J32P-22	J34P-44	7.4	6.3	5.2	3.9	2.5	2.0						82	54
SLE	1	10AP	J32P-24	J34P-44	10.5	10.0	8.1	6.2								96	79
		54AP	J32P-22	J34P-44	6.0	5.3	4.8	4.2	4.1	3.7	3.5	2.8	2.1	1.6		95	53
SLF	1-1/2	9AP	J32P-29	J34P-44	11.7	11.1	9.8	6.8								69	57
		8AP	J32P-18	J34P-42	6.7	5.8	5.3	4.7	4.5	4.1	3.8	3.1	2.6	2.0	1.6	129	72

<b>DEEP WELL (40 PSI) 3" SINGLE PIPE</b>																	
SLC	1/2	19CP	J32P-24	J34P-41	5.9	4.5	3.4	2.3								68	54
		16CP	J32P-18	J34P-42	4.6	3.9	3.3	2.8	2.3	1.7						84	59
		9CP	J32P-26	J34P-41	9.4	8.0	6.6									77	68
SLD	3/4	54CP	J32P-22	J34P-44	8.0	6.9	5.7	4.8	3.8	3.2						94	70
SLE	1	18CP	J32P-24	J34P-44	13.0	11.5	9.9	8.7	7.5	6.6	5.4					106	80
		54CP	J32P-22	J34P-44	8.5	7.7	6.7	6.3	5.8	5.4	4.8	4.0	3.7	3.4	2.7	122	73
		57CP	J32P-33	P122-10B	18.0	15.4	12.8	10.8								81	68
SLF	1-1/2	54CP	J32P-22	J34P-44	9.5	8.5	7.4	6.9	6.5	6.0	5.4	4.8	4.2	3.6	2.9	127	76

Tank body on SLF pump tapped 1-1/4" x 1". Drop pipe should be increased to 1-1/2" x 1-1/4" to ensure adequate capacity from pump. Tested and rated in accordance with Water Systems Council Standards.

NOTE: Pumps installed with a Pro-Source® tank require a 100 PSI relief valve. Pumps installed with a conventional tank require a 75 PSI relief valve. Relief valve must be capable of relieving entire flow of pump at relief pressure.



US: 293 WRIGHT STREET, DELAVAN, WI 53115 WWW.STA-RITE.COM PH: 888-782-7483 ORDERS FAX: 800-426-9446  
 CANADA: 490 PINEBUSH ROAD, UNIT 4, CAMBRIDGE, ONTARIO N1T 0A5 PH: 800-363-7867 ORDERS FAX: 888-606-5484  
 Because we are continuously improving our products and services, Pentair reserves the right to change specifications without prior notice.