

LAGUNA

PX-22 SHEARTEC II Planer

Owner's Manual



Owner's Manual

Laguna Tools
744 Refuge Way Grande Prairie, TX
Service: +1 (800) 234 1976
Email: customerservice@laguantools.com
Updated January 2022

Copyright Laguna Tools 2022

For immediate service on any Laguna Tools products:

Call: +1 (800) 234 1976

or

Email: customerservice@lagunatools.com

LAGUNA *SuperMax*

Laguna Tools, Inc. LAGUNA® and the LAGUNA Logo® are the registered trademarks of Laguna Tools, Inc. All rights reserved. 04/01/2019

LAGUNA AMERICAN HEADQUARTERS

Texas: 744 Refuge Way Suite 200, Grand Prairie, Texas 75050, U.S.A. Phone:
+1-800-332-4094

Huntington Beach: 7291 Heil Ave Huntington Beach, CA 92647, U.S.A. Phone:
+1-949-474-1200

South Carolina: 825 Bistline Dr. Ste 101, West Columbia, SC 29172, U.S.A. Phone:
+1-800-234-1976

Minnesota: 5250 West 74th St, Edina, MN 55439, U.S.A Phone: +1-949-474-1200

lagunatools.com

supermaxtools.com

lagunacleanair.com

lagunalathe.com

LAGUNA EUROPE

Walker Rd, Bardon Hill, Coalville LE67 1TU, United Kingdom. Phone: +44-1530-516921

lagunatools.uk

DAKE CORPORATION

724 Robbins Road, Grand Haven, MI 49417, United States +1-800-937-3253

dakecorp.com

LAGUNA



All rights reserved. No parts of this work may be reproduced in any form or by any means - graphic, electronic, or mechanical, including photocopying, recording, taping, or information storage and retrieval systems - without the written permission of Laguna Tools.

Products that are referred to in this document are either trademarks and/or registered trademarks of Laguna Tools, Inc. The publisher and the author make no claim to these trademarks.

While every precaution has been taken in the preparation of this document, the publisher and the author assume no responsibility for errors or omissions, or for damages resulting from the use of information contained in this document or from the use of programs and source code that may accompany it. In no event shall the publisher and the author be liable for any loss of profit or any other commercial damage caused or alleged to have been caused directly or indirectly by this document.

Published: March 2022

Contents

Letter to the Woodworker	7
General Information	8
Electrical Safety	13
Grounding Methods	18
Power Supply Circuit Requirements	22
Specifications	23
Machine Overview	24
Unboxing & Placement	26
Tool Inventory List	28
Machine Set-Up	30
Assembly	31
Installing Optional Universal Castors	32
Calibrating the Thickness Scale	33
Calibrating the DRO (Digital Read Out)	35
Operation	37
Maintenance	39
Shear-Tec II Knife Rotation/Replacement	40
Front/Rear Precision Adjustment	42
Poly V Belt Adjustment	55
Lubrication	56
Troubleshooting	63
Wiring	64
Replacement	67
Replacement Parts Table	70
Dealer Machinery Warranty	80
Customer Service Contact Information	82

Letter to the Woodworker

Thank you for investing in a PX-22 Planer by Laguna Tools. This planer is one of a family of unique machines proudly offered by Laguna Tools. Every Laguna machine is engineered for years of dependable service. Please feel free to contact Laguna Tools if you have a question or suggestion. We appreciate working with you and your choice of a Laguna Tools machine for your shop.

Regards, Torben Helshoj
President & Founder Laguna Tools

General Information

Safety Protocols:

Read and understand all warnings and operation instructions before using any tool or equipment. Always follow basic safety precautions to reduce the risk of personal injury. Improper operation, maintenance or modification of tools or equipment could result in serious injury and property damage. There are certain applications for which tools and equipment are designed. This product should NOT be modified and/or used for any application other than for which it was designed. It is important for you to read and understand this manual. The information it contains relates to protecting your safety and preventing problems.

SAVE THESE INSTRUCTIONS.

Refer to them often and use them to instruct others

Safety Call-outs

⚠ DANGER!

A POTENTIALLY HAZARDOUS SITUATION WHICH, IF NOT AVOIDED, COULD RESULT IN DEATH OR SERIOUS INJURY.
SOMETIMES DISPLAYED AS **⚠ DANGER!**

⚠ WARNING

A POTENTIALLY HAZARDOUS SITUATION WHICH, IF NOT AVOIDED, COULD RESULT IN DEATH OR SERIOUS INJURY.
SOMETIMES DISPLAYED AS **⚠ WARNING!**

⚠ CAUTION!

A POTENTIALLY HAZARDOUS SITUATION WHICH, IF NOT AVOIDED, MAY RESULT IN MINOR OR MODERATE INJURY.
SOMETIMES DISPLAYED AS **⚠ CAUTION!**

NOTICE!

A HELPFUL TIP FROM OUR TECHNICAL STAFF. SOMETIMES DISPLAYED AS NOTICE!

Safety Symbols



Disconnect from power before proceeding.



Be aware of possible laceration danger.



Be aware of possible crushing danger.



Be aware of possible crushing danger.



Electrical Hazard.



Wear ear protection.



Wear Eye Protection.



Wear a full face shield.



Wear lung protection.



Requires X People

PROP 65 WARNING

SOME DUST CREATED BY POWER SANDING, SAWING, GRINDING, DRILLING, AND OTHER CONSTRUCTION ACTIVITIES CONTAINS CHEMICALS KNOWN TO THE STATE OF CALIFORNIA TO CAUSE CANCER, BIRTH DEFECTS OR OTHER REPRODUCTIVE HARM. SOME EXAMPLES OF THESE CHEMICALS ARE:

- LEAD FROM LEAD-BASED PAINTS.
- CRYSTALLINE SILICA FROM BRICKS, CEMENT AND OTHER MASONRY PRODUCTS.
 - ARSENIC AND CHROMIUM FROM CHEMICALLY-TREATED LUMBER.

YOUR RISK FROM THESE EXPOSURES VARIES, DEPENDING ON HOW OFTEN YOU DO THIS TYPE OF WORK. TO REDUCE YOUR EXPOSURE TO THESE CHEMICALS: WORK IN A WELL VENTILATED AREA, AND WORK WITH APPROVED SAFETY EQUIP-MENT, SUCH AS THOSE DUST MASKS THAT ARE SPECIALLY DESIGNED TO FILTER OUT MICROSCOPIC PARTICLES.

APPLICATIONS WARNING

- THIS MACHINE WAS DESIGNED FOR CERTAIN APPLICATIONS ONLY. WE STRONGLY RECOMMEND THAT THIS MACHINE NOT BE MODIFIED AND/OR USED FOR ANY APPLICATION OTHER THAN THAT FOR WHICH IT WAS DESIGNED. IF YOU HAVE ANY QUESTIONS RELATIVE TO A PARTICULAR APPLICATION, DO NOT USE THE MACHINE UNTIL YOU HAVE FIRST CONTACTED THE MANUFACTURER TO DETERMINE IF IT CAN OR SHOULD BE PERFORMED ON THE PRODUCT.
- IF YOU HAVE ANY QUESTIONS RELATIVE TO ITS APPLICATION DO NOT USE THE PRODUCT UNTIL YOU HAVE CONTACTED THE MANUFACTURER AND WE HAVE ADVISED YOU.

WARNING!

Machine & Workshop Safety Instructions

Read and understand all warnings and operating instructions before using this equipment. Failure to follow all instructions listed below, may result in electric shock, fire, and/or serious personal injury or property damage. Machinery can be dangerous if safe and proper operating procedures are not followed. As with all machinery, there are certain hazards involved with the operation of the product. Using the machine with respect and caution will considerably lessen the possibility of personal injury. However, if normal safety precautions are overlooked or ignored, personal injury to the operator may result. Safety equipment such as guards, push sticks, hold-downs, feather boards, goggles, dust masks and hearing protection can reduce your potential for injury. But even the best guard won't make up for poor judgment, carelessness or inattention. Always use common sense and exercise caution in the workshop. If a procedure feels dangerous, don't try it. Figure out an alternative procedure that feels safer. REMEMBER: Your personal safety is your responsibility.

OWNER'S MANUAL. Read and understand this owner's manual BEFORE using machine.

TRAINED OPERATORS ONLY. Untrained operators have a higher risk of being hurt or killed. Only allow trained/supervised people to use this machine. When machine is not being used, disconnect power, remove switch keys, or lock-out machine to prevent unauthorized use—especially around children. Make your workshop kid proof!

DANGEROUS ENVIRONMENTS. Do not use machinery in areas that are wet, cluttered, or have poor lighting. Operating machinery in these areas greatly increases the risk of accidents and injury.

MENTAL ALERTNESS REQUIRED. Full mental alertness is required for safe operation of machinery. Never operate under the influence of drugs or alcohol, when tired, or when distracted.

ELECTRICAL EQUIPMENT INJURY RISKS. You can be shocked, burned, or killed by touching live electrical components or improperly grounded machinery. To reduce this risk, only allow qualified service personnel to do electrical installation or repair work, and always disconnect power before accessing or exposing electrical equipment.

DISCONNECT POWER FIRST. Always disconnect machine from power supply BEFORE making adjustments, changing tooling, or servicing machine. This prevents an injury risk from unintended start-up or contact with live electrical components.

EYE PROTECTION. Always wear ANSI-approved safety glasses or a face shield when operating or observing machinery to reduce the risk of eye injury or blindness from flying particles. Everyday eyeglasses are NOT approved safety glasses.

WEARING PROPER APPAREL. Do not wear clothing, apparel or jewelry that can become entangled in moving parts. Always tie back or cover long hair. Wear non-slip footwear to reduce risk of slipping and losing control or accidentally contacting cutting tool or moving parts.

HAZARDOUS DUST. Dust created by machinery operations may cause cancer, birth defects, or long-term respiratory damage. Be aware of dust hazards associated with each workpiece material. Always wear a NIOSH-approved respirator to reduce your risk.

HEARING PROTECTION. Always wear hearing protection when operating or observing loud machinery. Extended exposure to this noise without hearing protection can cause permanent hearing loss.

REMOVE ADJUSTING TOOLS. Tools left on machinery can become dangerous projectiles upon startup. Never leave chuck keys, wrenches, or any other tools on machine. Always verify removal before starting!

USE CORRECT TOOL FOR THE JOB. Only use this tool for its intended purpose—do not force it or an attachment to do a job for which it was not designed. Never make unapproved modifications, modifying tool or using it differently than intended may result in malfunction or mechanical failure that can lead to personal injury or death!

AWKWARD POSITIONS. Keep proper footing and balance at all times when operating machine. Do not overreach! Avoid awkward hand positions that make workpiece control difficult or increase the risk of accidental injury.

CHILDREN & BYSTANDERS. Keep children and bystanders at a safe distance from the work area. Stop using machine if they become a distraction.

GUARDS & COVERS. Guards and covers reduce accidental contact with moving parts or flying debris. Make sure they are properly installed, undamaged, and working correctly BEFORE operating machine.

FORCING MACHINERY. Do not force machine. It will do the job safer and better at the rate for which it was designed.

NEVER STAND ON MACHINE. Serious injury may occur if machine is tipped or if the cutting tool is unintentionally contacted.

STABLE MACHINE. Unexpected movement during operation greatly increases risk of injury or loss of control. Before starting, verify machine is stable and mobile base (if used) is locked.

USE RECOMMENDED ACCESSORIES. Consult this owner's manual or the manufacturer for recommended accessories. Using improper accessories will increase the risk of serious injury.

UNATTENDED OPERATION. To reduce the risk of accidental injury, turn machine OFF and ensure all moving parts completely stop before walking away. Never leave machine running while unattended.

MAINTAIN WITH CARE. Follow all maintenance instructions and lubrication schedules to keep machine in good working condition. A machine that is improperly maintained could malfunction, leading to serious personal injury or death.

DAMAGED PARTS. DAMAGED PARTS. Regularly inspect machine for damaged, loose, or improperly adjusted parts—or any condition that could affect safe operation.

MAINTAIN POWER CORDS. When disconnecting cord-connected machines from power, grab and pull the plug—NOT the cord. Pulling the cord may damage the wires inside. Do not handle cord/plug with wet hands. Avoid cord damage by keeping it away from heated surfaces, high traffic areas, harsh chemicals, and wet/damp locations.

WARNING!

Machine & Workshop Safety Instructions

Read and understand all warnings and operating instructions before using this equipment. Failure to follow all instructions listed below, may result in electric shock, fire, and/or serious personal injury or property damage. Machinery can be dangerous if safe and proper operating procedures are not followed. As with all machinery, there are certain hazards involved with the operation of the product. Using the machine with respect and caution will considerably lessen the possibility of personal injury. However, if normal safety precautions are overlooked or ignored, personal injury to the operator may result. Safety equipment such as guards, push sticks, hold-downs, feather boards, goggles, dust masks and hearing protection can reduce your potential for injury. But even the best guard won't make up for poor judgment, carelessness or inattention. Always use common sense and exercise caution in the workshop. If a procedure feels dangerous, don't try it. Figure out an alternative procedure that feels safer. REMEMBER: Your personal safety is your responsibility.

OWNER'S MANUAL. Read and understand this owner's manual BEFORE using machine.

TRAINED OPERATORS ONLY. Untrained operators have a higher risk of being hurt or killed. Only allow trained/supervised people to use this machine. When machine is not being used, disconnect power, remove switch keys, or lock-out machine to prevent unauthorized use—especially around children. Make your workshop kid proof!

DANGEROUS ENVIRONMENTS. Do not use machinery in areas that are wet, cluttered, or have poor lighting. Operating machinery in these areas greatly increases the risk of accidents and injury.

MENTAL ALERTNESS REQUIRED. Full mental alertness is required for safe operation of machinery. Never operate under the influence of drugs or alcohol, when tired, or when distracted.

ELECTRICAL EQUIPMENT INJURY RISKS. You can be shocked, burned, or killed by touching live electrical components or improperly grounded machinery. To reduce this risk, only allow qualified service personnel to do electrical installation or repair work, and always disconnect power before accessing or exposing electrical equipment.

DISCONNECT POWER FIRST. Always disconnect machine from power supply BEFORE making adjustments, changing tooling, or servicing machine. This prevents an injury risk from unintended start-up or contact with live electrical components.

EYE PROTECTION. Always wear ANSI-approved safety glasses or a face shield when operating or observing machinery to reduce the risk of eye injury or blindness from flying particles. Everyday eyeglasses are NOT approved safety glasses.

WEARING PROPER APPAREL. Do not wear clothing, apparel or jewelry that can become entangled in moving parts. Always tie back or cover long hair. Wear non-slip footwear to reduce risk of slipping and losing control or accidentally contacting cutting tool or moving parts.

HAZARDOUS DUST. Dust created by machinery operations may cause cancer, birth defects, or long-term respiratory damage. Be aware of dust hazards associated with each workpiece material. Always wear a NIOSH-approved respirator to reduce your risk.

HEARING PROTECTION. Always wear hearing protection when operating or observing loud machinery. Extended exposure to this noise without hearing protection can cause permanent hearing loss.

REMOVE ADJUSTING TOOLS. Tools left on machinery can become dangerous projectiles upon startup. Never leave chuck keys, wrenches, or any other tools on machine. Always verify removal before starting!

USE CORRECT TOOL FOR THE JOB. Only use this tool for its intended purpose—do not force it or an attachment to do a job for which it was not designed. Never make unapproved modifications, modifying tool or using it differently than intended may result in malfunction or mechanical failure that can lead to personal injury or death!

AWKWARD POSITIONS. Keep proper footing and balance at all times when operating machine. Do not overreach! Avoid awkward hand positions that make workpiece control difficult or increase the risk of accidental injury.

CHILDREN & BYSTANDERS. Keep children and bystanders at a safe distance from the work area. Stop using machine if they become a distraction.

GUARDS & COVERS. Guards and covers reduce accidental contact with moving parts or flying debris. Make sure they are properly installed, undamaged, and working correctly BEFORE operating machine.

FORCING MACHINERY. Do not force machine. It will do the job safer and better at the rate for which it was designed.

NEVER STAND ON MACHINE. Serious injury may occur if machine is tipped or if the cutting tool is unintentionally contacted.

STABLE MACHINE. Unexpected movement during operation greatly increases risk of injury or loss of control. Before starting, verify machine is stable and mobile base (if used) is locked.

USE RECOMMENDED ACCESSORIES. Consult this owner's manual or the manufacturer for recommended accessories. Using improper accessories will increase the risk of serious injury.

UNATTENDED OPERATION. To reduce the risk of accidental injury, turn machine OFF and ensure all moving parts completely stop before walking away. Never leave machine running while unattended.

MAINTAIN WITH CARE. Follow all maintenance instructions and lubrication schedules to keep machine in good working condition. A machine that is improperly maintained could malfunction, leading to serious personal injury or death.

DAMAGED PARTS. DAMAGED PARTS. Regularly inspect machine for damaged, loose, or improperly adjusted parts—or any condition that could affect safe operation.

MAINTAIN POWER CORDS. When disconnecting cord-connected machines from power, grab and pull the plug—NOT the cord. Pulling the cord may damage the wires inside. Do not handle cord/plug with wet hands. Avoid cord damage by keeping it away from heated surfaces, high traffic areas, harsh chemicals, and wet/damp locations.

⚠ WARNING!**Planer Specific Safety Instructions**

LIKE ALL MACHINES, THERE IS DANGER ASSOCIATED WITH THE MACHINE. INJURY IS FREQUENTLY CAUSED BY LACK OF KNOWLEDGE OR FAMILIARITY. USE THIS MACHINE WITH RESPECT. IF NORMAL SAFETY PRECAUTIONS ARE OVERLOOKED OR IGNORED, SERIOUS PERSONAL INJURY MAY OCCUR.

1. KICKBACK

"KICKBACK" IS WHEN THE WORK PIECE IS THROWN OFF THE PLANER TABLE BY THE CUTTER HEAD. THE "KICKBACK ZONE", IS THE PATH DIRECTLY BACK THROUGH THE IN-FEED TABLE. NEVER STAND OR ALLOW OTHERS TO STAND IN THIS AREA DURING OPERATION. IF KICK BACK OCCURS, SEVERE INJURY MAY RESULT.

2. CUTTER HEAD ALIGNMENT

TO REDUCE THE POSSIBILITY OF KICKBACK, KEEP THE TOP EDGE OF THE OUT-FEED TABLE ALIGNED WITH THE CUTTER HEAD INSERT AT TOP DEAD CENTER (TDC).

3. SUPPORTING THE WORK

ONLY MAKE CUTS IF THE WORK PIECE IS STABLE AND NEVER ATTEMPT TO CUT UNSTABLE PLANKS, OR INJURY MAY OCCUR.

4. CUTTING DEPTH

NEVER EXCEED THE MAXIMUM CUTTING DEPTH of 1/16" or 1.60 mm, AS STATED IN THE SPECIFICATION FOR YOUR MACHINE. IT IS FAR BETTER TO TAKE SEVERAL SMALL CUTS RATHER THAN LARGE CUTS.

5. DIRECTION OF CUT

PLANING AGAINST THE GRAIN OR PLANING END GRAIN IS DANGEROUS AND COULD PRODUCE CHATTER OR EXCESSIVE CHIP OUT. ALWAYS PLANE WITH THE GRAIN.

6. GUARDS

GUARDS ARE DESIGNED TO REDUCE THE RISK OF INJURY. ALWAYS USE THE GUARDS. IF IT IS IMPERATIVE TO USE THE MACHINE WITHOUT THE GUARDS, [RABBETING] ALWAYS REPLACE THE GUARDS.

7. CUTTING DIRECTION

ONLY CUT FROM THE IN-FEED TABLE TO THE OUT-FEED TABLE, AND ALWAYS COMPLETE THE CUT. DO NOT STOP THE WOOD PROGRESS UNTIL THE JOB HAS CLEARED THE CUTTER HEAD COMPLETELY. ONLY CUT WITH THE GRAIN OR AT A SLIGHT ANGLE TO THE GRAIN.

8. STOCK

YOUR SAFETY WILL BE GREATLY ENHANCED IF YOU ONLY USE GOOD LUMBER. ONLY WORK WITH LUMBER AFTER YOU HAVE INSPECTED IT COMPLETELY. STAPLES, NAILS LOOSE KNOTS AND ANY OTHER METAL IN THE PLANK WILL DAMAGE YOUR CUTTER HEAD AND COULD CAUSE INJURY AND OR FIRE. IF YOU HAVE ANY QUESTION ABOUT A PIECE OF LUMBER, DO NOT USE IT.

Electrical Safety

Electrical Safety- A Electrical Cord and Plug is not provided with Ordered Machine. Make sure to follow Electrical Installation stated in the instructions below.

WARNING!

- RUNNING ON A DIFFERENT VOLTAGE THAN STATED BELOW WILL DAMAGE THE MACHINE. NEVER RUN THE MACHINE IN WET OR DAMP CONDITIONS.
- ELECTROCUTION, FIRE, SHOCK, OR EQUIPMENT DAMAGE MAY OCCUR IF MACHINE IS NOT PROPERLY GROUNDED AND CONNECTED TO POWER SUPPLY.

Power Supply

A separate electrical circuit should be used for each machine. This circuit should not be less than the wiring listed below and should be protected with an appropriate circuit breaker based on the total running and start-up amperage's (listed below). If an extension cord is used, use only 3-Wire Extension Cords which have 3-Prong grounding type plugs and matching receptacle which will

accept the machine's plug.

Model Number	MPLANPX2275-0130
VOLTAGE	220 Volts or 220V
PHASE	1PH
HERTZ	60Hz
FULL LOAD AMPERAGE	32 AMPS
WARNING- Below are RECOMMENDATIONS to be used for this machine based on the above information. Variables that may affect this are: *Actual voltage supplied to the machine *Electrical Code that must be met in your local state (USA) or province (CSA). An electrician will verify that all the demands are met to properly wire the machine. If you have absolutely any doubt when wiring this machine - please consult with a qualified electrician.	
PLUG/RECEPTACLE	Not Included
WIRNG (Gauge)	See Jacket Printing
CIRCUIT BREAKER	40 Amp Minimum

Model Number	MPLANPX2210-0130
VOLTAGE	220 Volts or 220V
PHASE	3PH
HERTZ	60Hz
FULL LOAD AMPERAGE	28 AMPS
WARNING- Below are RECOMMENDATIONS to be used for this machine based on the above information. Variables that may affect this are:	
PLUG/RECEPTACLE	Not Included
WIRNG (Gauge)	See Jacket Printing
CIRCUIT BREAKER	35 AMP

If this information is different than what is stated on the Motor Specification Plate - omit this information. It is possible that the documentation is outdated to a machine change - such as a different motor. Always check the motor plate prior to any wiring. If any doubts, please consult a certified electrician. Know when to use a time delay fuse! AKA Slow blow fuse. Generally, if the motor uses a start capacitor, a time delay fuse is required. This type of fuse (circuit breaker) will not trip with the initial amperage needed to start the machine, which is typically double that of the running amperage. Most woodworking machines use this type of fuse.

****NOTICE!**** **Electrical Safety-** Electrical Cord and Plug is not provided with Ordered Machine. Make sure to have a Qualified Electrician install required a qualified/standardized electrical cord and plug for purchased machine. *Electrical Code that must be met in your local state (USA) or province (CSA). An electrician will verify that all the demands are met to properly wire the machine. If you have absolutely any doubt when wiring this machine - please consult with a Qualified Electrician.

Electrical Safety (Cont'd.)- A Electrical Cord and Plug is not provided with Ordered Machine. Make sure to follow Electrical Installation stated in the instructions below.

*Electrical Code that must be met in your local state (USA) or province (CSA).

Grounding Methods:

Electrical Cord and Plug is not provided with Ordered Machine. When a proper qualified electrical cord and plug is installed please follow the following ground methods and procedures.

⚠ DANGER!

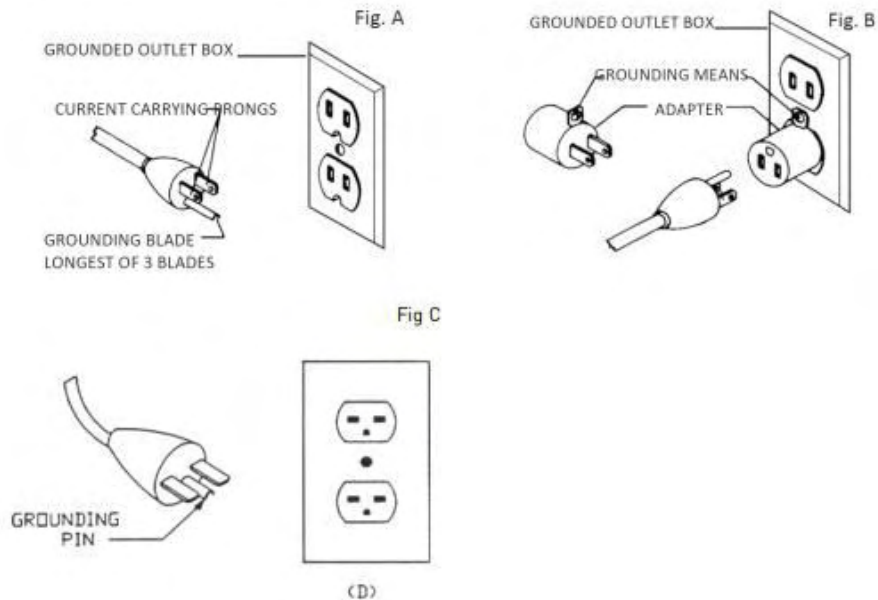
THIS MACHINE MUST BE GROUNDED WHILE IN USE TO PROTECT THE OPERATOR FROM ELECTRIC SHOCK. IN ALL CASES, MAKE CERTAIN THAT THE RECEPTACLE IN QUESTION IS PROPERLY GROUNDED. IF YOU ARE NOT SURE, HAVE A QUALIFIED ELECTRICIAN CHECK THE RECEPTACLE.

Grounding Methods Provided by CSA Group.

Fig. (A) Receptacle with nominal rating less than 120 volts.

Fig. (B) 150 Volt receptacle without grounding pin fitted with adapter.

Fig. (C) 150-250 Volt receptacle.

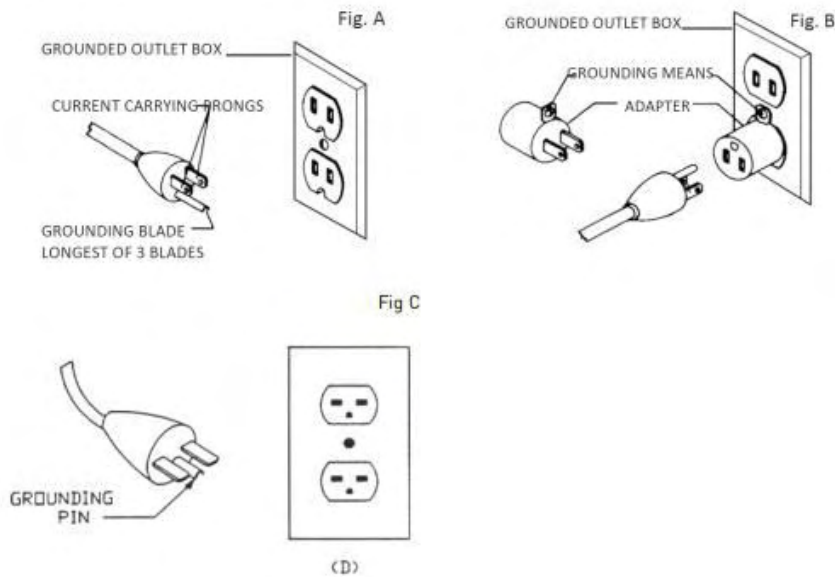


1.) All Grounded, Cord-Connected Machines:

In the event of a malfunction or breakdown, grounding provides a path of least resistance for electric current to reduce the risk of electric shock. This tool is equipped with an electric cord having an equipment grounding conductor and a grounding plug. The plug must be plugged into a matching outlet that is properly installed and grounded in accordance with all local codes and ordinances.

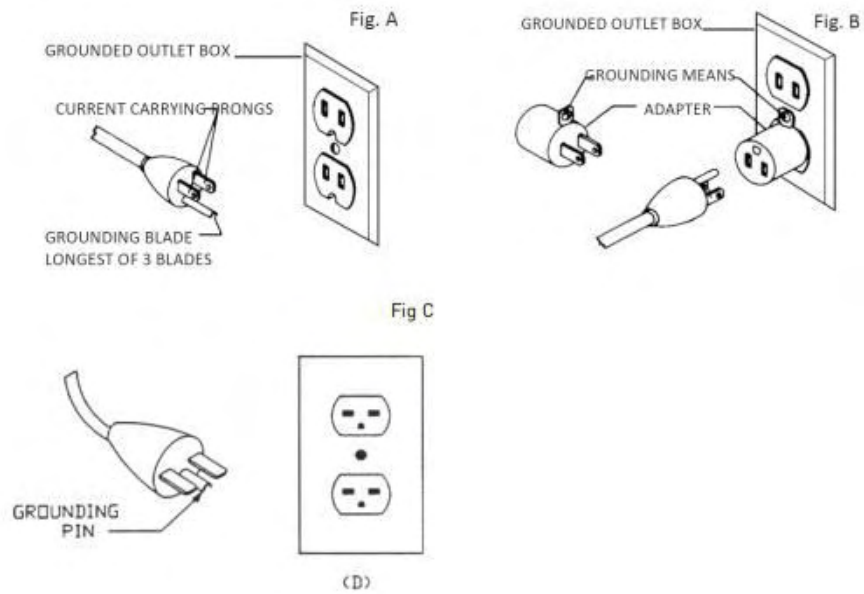
Improper connection of the equipment-grounding conductor can result in a risk of electric shock. The conductor with insulation having an outer surface that is green with or without yellow stripes is the equipment-grounding conductor. If repair or replacement of the electric cord or plug is necessary, do not connect the equipment-grounding conductor to a live terminal.

Check with a qualified electrician or service personnel if the grounding instructions are not completely understood, or if in doubt as to whether the tool is properly grounded. Use only 3-wire extension cords that have 3-Prong grounding plugs and 3 pole receptacles that accept the tool's plug. Repair or replace damaged or worn cord immediately.



2.) Grounded, cord-connected machines intended for use on a supply circuit having a nominal rating less than 150 volts: This tool is intended for use on a circuit that has an outlet that looks like the one illustrated in Fig. A.) The tool has a grounding plug that looks like the plug illustrated in Fig A.) A temporary adapter, which looks like the adapter illustrated in Fig B may be used to connect this plug to a 2 Pole receptacle as shown in Fig. B.) if a properly grounded outlet is not available. **The temporary adapter should be used only until a properly grounded outlet can be installed by a qualified electrician. This adapter is not permitted in Canada.** The green-colored rigid ear, lug, and the like, extending from the adapter must be connected to a permanent ground such as a properly grounded outlet box.

3.) Grounded, Cord-Connected tools intended for use on a supply circuit having a nominal rating between 150 – 250 volts, inclusive: This tool is intended for use on a circuit that has an outlet that looks like the one illustrated in Fig. C. The tool has a grounding plug that looks like the plug illustrated in Fig. C. **Make sure the tool is connected to an outlet having the same configuration as the plug.** No adapter is available or should be used with this tool. If the tool must be reconnected for use on a different type of electric circuit, the reconnection should be made by qualified service personnel; and after reconnection, the tool should comply with all local codes and ordinances.



EXTENSION CORDS ARE NOT RECOMMENDED. If the customer needs to use an extension cord, the **Extension Cord** must be qualified to fall within **Local Electrical Code (USA, CSA, etc.)**. If the customer utilizes an **Extension Cord** that does not fall within Code and causes damage to machine, the **Warranty will be Voided**.

Grounding Methods

Grounding Methods:

Electrical Cord and Plug is not provided with Ordered Machine. When a proper qualified electrical cord and plug is installed please follow the following ground methods and procedures.

⚠ DANGER!

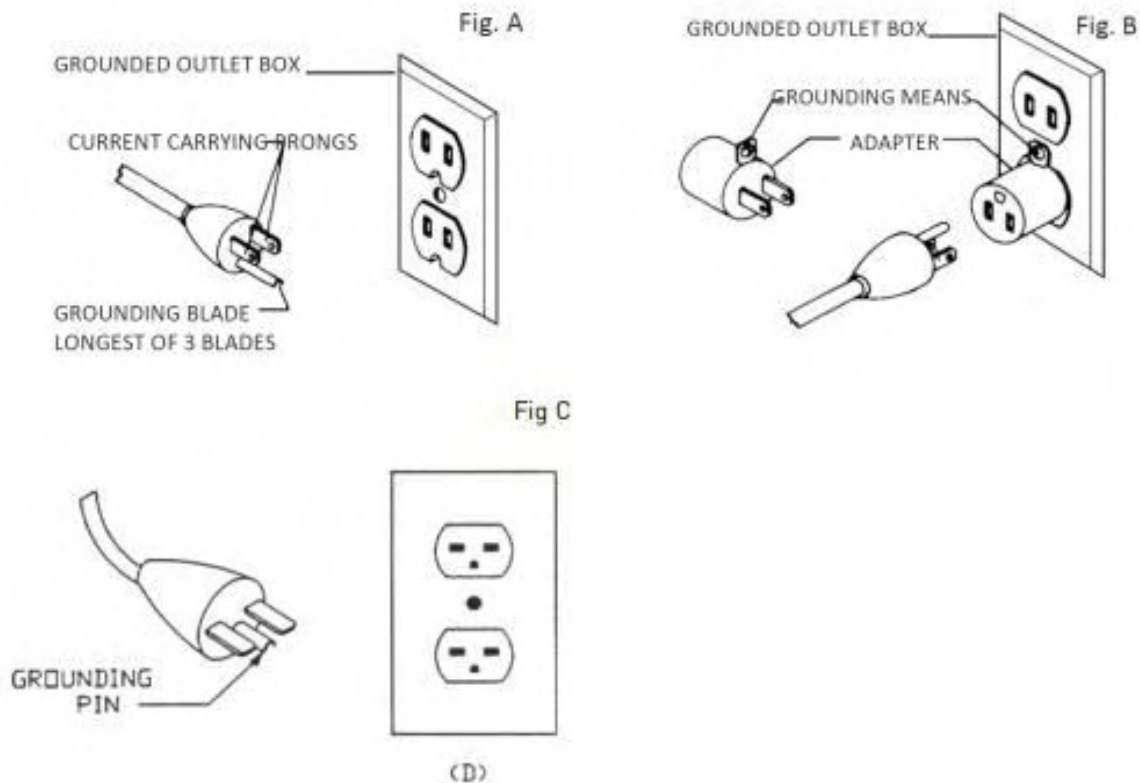
THIS MACHINE MUST BE GROUNDED WHILE IN USE TO PROTECT THE OPERATOR FROM ELECTRIC SHOCK. IN ALL CASES, MAKE CERTAIN THAT THE RECEPTACLE IN QUESTION IS PROPERLY GROUNDED. IF YOU ARE NOT SURE, HAVE A QUALIFIED ELECTRICIAN CHECK THE RECEPTACLE.

Grounding Methods Provided by CSA Group.

Fig. (A) Receptacle with nominal rating less than 120 volts.

Fig. (B) 150 Volt receptacle without grounding pin fitted with adapter.

Fig. (C) 150-250 Volt receptacle.



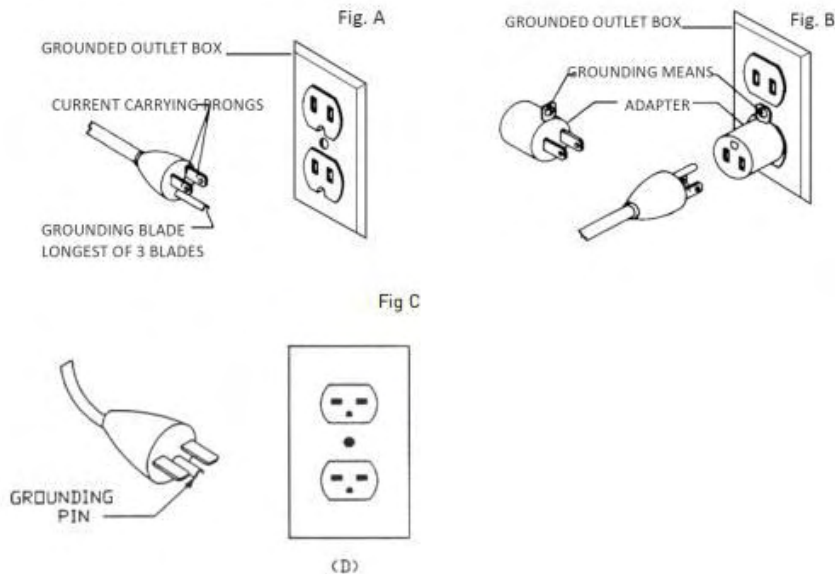
1.) All Grounded, Cord-Connected Machines:

In the event of a malfunction or breakdown, grounding provides a path of least resistance for electric current to reduce the risk of electric shock. This tool is equipped with an electric cord having an equipment grounding conductor and a grounding plug. The plug must be plugged into a matching outlet that is properly installed and grounded in accordance with all local codes and ordinances.

Improper connection of the equipment-grounding conductor can result in a risk of electric shock. The conductor with

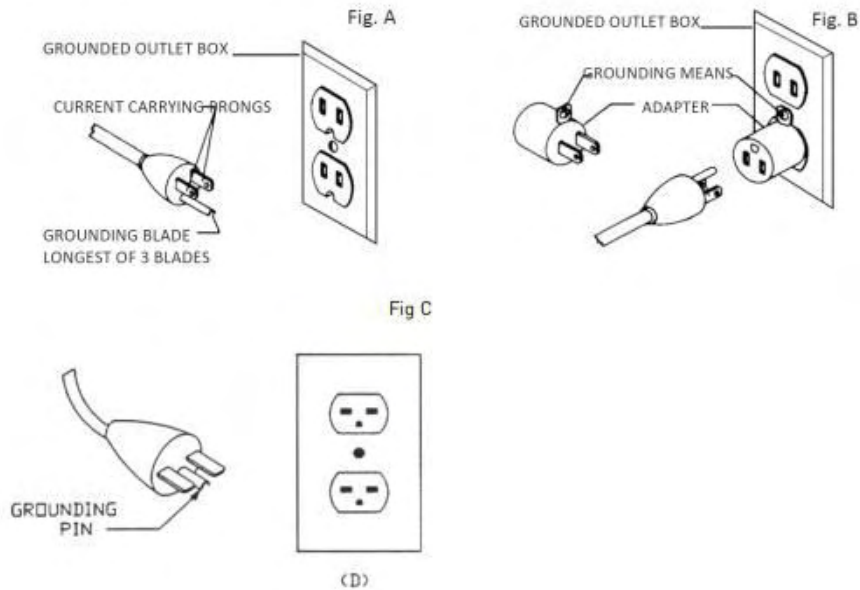
insulation having an outer surface that is green with or without yellow stripes is the equipment-grounding conductor. If repair or replacement of the electric cord or plug is necessary, do not connect the equipment-grounding conductor to a live terminal.

Check with a qualified electrician or service personnel if the grounding instructions are not completely understood, or if in doubt as to whether the tool is properly grounded. Use only 3-wire extension cords that have 3-Prong grounding plugs and 3 pole receptacles that accept the tool's plug. Repair or replace damaged or worn cord immediately.



2.) Grounded, cord-connected machines intended for use on a supply circuit having a nominal rating less than 150 volts: This tool is intended for use on a circuit that has an outlet that looks like the one illustrated in Fig. A.) The tool has a grounding plug that looks like the plug illustrated in Fig A.) A temporary adapter, which looks like the adapter illustrated in Fig B may be used to connect this plug to a 2 Pole receptacle as shown in Fig. B.) if a properly grounded outlet is not available. **The temporary adapter should be used only until a properly grounded outlet can be installed by a qualified electrician. This adapter is not permitted in Canada.** The green-colored rigid ear, lug, and the like, extending from the adapter must be connected to a permanent ground such as a properly grounded outlet box.

3.) Grounded, Cord-Connected tools intended for use on a supply circuit having a nominal rating between 150 – 250 volts, inclusive: This tool is intended for use on a circuit that has an outlet that looks like the one illustrated in Fig. C. The tool has a grounding plug that looks like the plug illustrated in Fig. C. **Make sure the tool is connected to an outlet having the same configuration as the plug.** No adapter is available or should be used with this tool. If the tool must be reconnected for use on a different type of electric circuit, the reconnection should be made by qualified service personnel; and after reconnection, the tool should comply with all local codes and ordinances.



****WARNING** EXTENSION CORDS ARE NOT RECOMMENDED.** If the customer needs to use an extension cord, the Extension Cord must be qualified to fall within Local Electrical Code (USA, CSA, etc.). If the customer utilizes an Extension Cord that does not fall within Code and causes damage to machine, the Warranty will be Voided.

Use Proper Extension Cords. Make sure your extension cord is in good condition and is a 3-Wire extension cord which has a 3-Prong grounding type plug and matching receptacle which will accept the machine's plug. When using an extension cord, be sure to use one heavy enough to carry the current of the machine. An undersized cord will cause a drop in line voltage, resulting in loss of power and overheating. If in doubt, use the next heavier gauge. The smaller the gauge number, the heavier the cord.

MINIMUM GAUGE EXTENSION CORD 120V

RECOMMENDED SIZES FOR USE WITH STATIONARY ELECTRIC MACHINES

Ampere Rating	Volts	Total Length of Cord in Feet	Gauge of Extension Cord
0-6	120	up to 25	18 AWG
0-6	120	25-50	16 AWG
0-6	120	50-100	16 AWG
0-6	120	100-150	14 AWG
6-10	120	up to 25	18 AWG
6-10	120	25-50	16 AWG
6-10	120	50-100	14 AWG
6-10	120	100-150	12 AWG
10-12	120	up to 25	16 AWG
10-12	120	25-50	16 AWG
10-12	120	50-100	14 AWG
10-12	120	100-150	12 AWG
12-16	120	up to 25	14 AWG
12-16	120	25-50	12 AWG
12-16	120	GREATER THAN 50 FEET NOT RECOMMENDED	

MINIMUM GAUGE EXTENSION CORD 240V

RECOMMENDED SIZES FOR USE WITH STATIONARY ELECTRIC MACHINES

Ampere Rating	Volts	Total Length of Cord in Feet	Gauge of Extension Cord
0-6	240	up to 50	18 AWG
0-6	240	50-100	16 AWG
0-6	240	100-200	16 AWG
0-6	240	200-300	14 AWG
6-10	240	up to 50	18 AWG
6-10	240	50-100	16 AWG
6-10	240	100-200	14 AWG
6-10	240	200-300	12 AWG
10-12	240	up to 50	16 AWG
10-12	240	50-100	16 AWG
10-12	240	100-200	14 AWG
10-12	240	200-300	12 AWG
12-16	240	up to 50	14 AWG
12-16	240	50-100	12 AWG
12-16	240	GREATER THAN 100 FEET NOT RECOMMENDED	

Power Supply Circuit Requirements

The power source circuit for your machine must be grounded and rated for the amperage given below. Never replace a circuit breaker on an existing circuit with one of higher amperage without consulting a qualified electrician to ensure compliance with wiring codes. If you are unsure about the wiring codes in your area or plan to connect your machine to a shared circuit, consult a qualified electrician.

DANGER! IN ALL CASES, MAKE CERTAIN THE RECEPTACLE IN QUESTION IS PROPERLY GROUNDED. IF YOU ARE NOT SURE, HAVE A QUALIFIED ELECTRICIAN CHECK THE RECEPTACLE.

Motor Specifications:

The typical main motor is 7.5 HP and is typically wired for 220 Volt, Single Phase, 60 HZ, AC current. Confirm your motor electrical configuration before connecting power! Before connecting the machine to the power source, make sure the starter and switches are in the "OFF" position. Cord and "plug" are NOT included. These must be installed by a Qualified Technician/Electrician to local codes.

NOTICE! A "Electrical Plug" and "Power Cord" are NOT included and must be installed by a Qualified technician/Electrician, or the power cable connected (hard wired) to an appropriate disconnect according to local codes.

WARNING! WHEN COMPLETED, THE MACHINE MUST CONFORM TO THE NATIONAL ELECTRIC CODE AND ALL LOCAL CODES AND ORDINANCES.

Connecting Power:

1. Remove screws securing cover to connection box.
2. Insert power cable through strain relief, tighten cinch nut and attach wires to terminals.
3. Re-install the Connection Box Cover, see Page XX for Wiring Diagram.

WARNING! DISCONNECT POWER SUPPLY TO PLANER BEFORE CONTINUING! ONLY CONNECT POWER WHEN REQUIRED.

Specifications

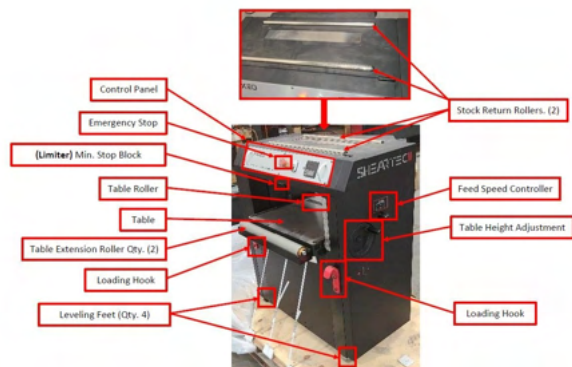
PX-22 Sheartec: II Planer
Model #: MPLANPX2275-0130

VOLT HP PHASE HERTZ AMP	230V 7.5HP 1-PHASE 60HZ/32 AMP
CSA-Canada Standards Association	YES
BED SIZE	22" x 28"
PULL-OUT EXTENSION	6"
WHEELS BUILT-IN	OPTIONAL
MAX. DEPTH OF CUT	Typical Cut 1/16" with this Type of Cutterhead with Work Piece more than 9" Inches Wide. 1/4" Inch under correct conditions & material, Work Piece must be less than 9" Wide.
MAX. STOCK THICKNESS	8"
MIN. STOCK THICKNESS	1/2"
MIN. STOCK LENGTH	9"
MAX. STOCK WIDTH	22"
FEED SPEED	10-30 FPM (Feet per Minute) Elec. Vari. Speed
DUST PORT DIAMETER	5" LEFT & RIGHT
CUTTERHEAD RPM (Revolutions per Minute)	5000
CUTTERHEAD DIAMETER	3-1/2"
CUTTERHEAD INSERT #	150 X 4-SIDED CARBIDE, 6 ROW
THICKNESS READOUT (DIGITAL)	WIXEY DRO
DIMENSIONS SET UP APPROX.	40" X 46"
DIMENSIONS SHIPPING	44" X 38" X 48"-1/2"
NET/SHIP WEIGHT # OF BOXES	LBS. 867/955 1 BOX
SWITCH:	"ON/OFF" FOR MAIN MOTOR
PACKING SIZE: (L X W X H)	25" X 17" X 21.5" (635 mm X 432 mm X 546 mm)
MACHINE WEIGHT:	867 LBS. (30 KG.)
SHIPPING WEIGHT:	955 LBS. (33 KG.)

PX-22 Sheartec: II Planer
Model #: MPLANPX2210-0130

VOLT HP PHASE HERTZ AMP	230V 10HP 3-PHASE 60HZ/28 AMP
CSA-Canada Standards Association	YES
BED SIZE	22" X 28"
PULL-OUT EXTENSION	6"
WHEELS BUILT-IN	OPTIONAL
MAX. DEPTH OF CUT	Typical Cut 1/16" with this Type of Cutterhead with Work Piece more than 9" Inches Wide. 1/4" Inch under correct conditions & material, Work Piece must be less than 9" Wide.
MAX. STOCK THICKNESS	8"
MIN. STOCK THICKNESS	1/2"
MIN. STOCK LENGTH	9"
MAX. STOCK WIDTH	22"
FEED SPEED	10 & 30 FPM (Feet per Minute) Elec. Vari Speed
DUST PORT DIAMETER	5" LEFT & RIGHT
CUTTERHEAD RPM (Revolutions per Minute)	5000
CUTTERHEAD DIAMETER	3-1/2"
CUTTERHEAD INSERT #	150 X 4-SIDED CARBIDE, 6 ROW
THICKNESS READOUT (DIGITAL)	WIXEY DRO
DIMENSIONS SET UP APPROX.	40" X 46"
DIMENSIONS SHIPPING	44" X 38" X 48-1/2"
NET/SHIP WEIGHT # OF BOXES	LBS. 867/955 1 BOX
SWITCH:	"ON/OFF" FOR MAIN MOTOR
PACKING SIZE: (L X W X H)	25" X 17" X 21.5" (635 mm X 432 mm X 546 mm)
MACHINE WEIGHT:	867 LBS. (30 KG.)
SHIPPING WEIGHT:	955 LBS. (33 KG.)

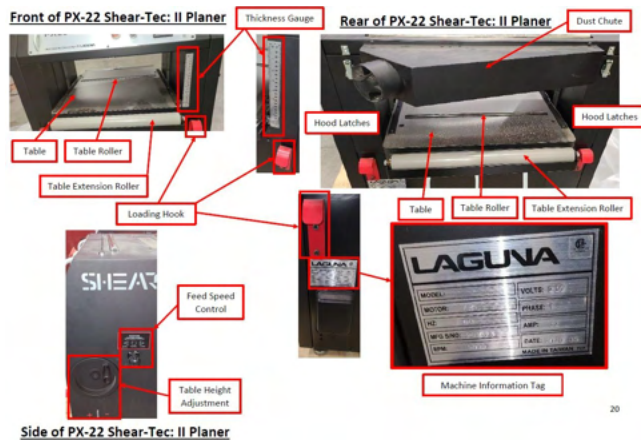
Machine Overview



The Limiter:

Acts as a stop to prevent the cutterhead from contacting the table and to prevent stock from sliding past the edge of the cutterhead.

Table Rollers: The Roller facilitates movement of the Work Piece across the Table.



A.) “On” Light Indicator.

B.) **Emergency Stop (E-STOP):** Stops all functions of machine, however, power continues to machine. NOTICE! To reset E-STOP, rotate switch clockwise until the button “pops” out.

C.) “ON/OFF” **Switch:** Starts and Stops rotation of cutterhead.

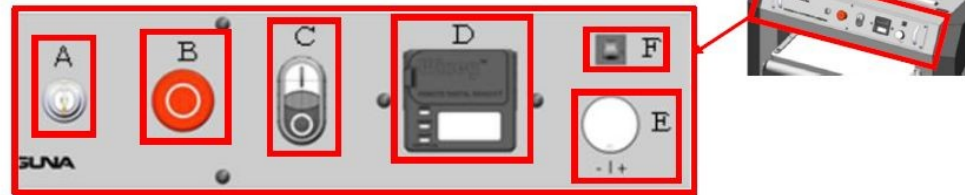
NOTICE! The Planer will not work if the **E-STOP is engaged** or if the **Hood is Open**.

D.) **Digital Read Out (DRO):** Thickness Display.

E.) **Variable Speed Feed Adjustment,** 10-30 ft./min.

F.) **Circuit Breaker, Press to Reset.**

Front Control Panel-Main Components of PX22-



CAUTION: AS WITH ALL GEAR BOX SHIFTERS, IT IS VERY IMPORTANT TO ONLY CHANGE FEED SPEEDS WHEN THE MACHINE IS RUNNING.

The Limiter: Acts as a stop to prevent the cutterhead from contacting the table and to prevent stock from sliding past the edge of the cutterhead.

Table Roller: The Roller facilitates movement of the Work Piece across the Table.

Extension Rollers: Adjustable Rollers that extend for increased workpiece support.

Feed Speed Selector: The **Feed Speed Selector** offers (2) two feed speeds, 10 FPM & 30 FPM (Feet per Minute).

Move Lever (Push/Pull) until it locks in place. The middle setting is neutral.

Stock Return Rollers: Allows users to return stock back to feed zone quickly and safely with less strain on workers.

Unboxing & Placement

Your machine will likely be delivered by a third-party delivery service. Before unpacking your new machine, first inspect the packaging, the invoice, and the shipping documents supplied by the driver. When unpacking your machine, separate all enclosed items from the packing materials and inspect them for damages. Ensure that there is no visible damage to either the packaging or the machine **BEFORE** the driver leaves. Save all packaging materials until you are satisfied with the machine and/or have resolved any issues concerning any missing or damaged items.

NOTICE! ALL SHIPPING DAMAGE MUST BE NOTED UPON DELIVERY AND SIGNED BY THE OWNER AND THE DELIVERY DRIVER. IF YOU FIND ANY DAMAGED ITEMS IN YOUR PACKAGE, YOU MUST CONTACT LAGUNA TOOLS TO FILE A COMPLAINT. IN ORDER TO RETURN DAMAGED GOODS UNDER THE LIMITED WARRANTY TO LAGUNA TOOLS, INC., YOU MUST HAVE THE ORIGINAL PACKAGING. ALL CLAIMS OF LOSS OR DAMAGED GOODS MUST BE REPORTED TO LAGUNA TOOLS WITHIN 24 HOURS OF DELIVERY. PLEASE CONTACT THE LAGUNA TOOLS, INC. CUSTOMER SERVICE DEPARTMENT TO MAKE CLAIMS FOR ANY DAMAGED ITEMS/PARTS.

IT IS PROBABLE THAT YOU WILL FIND SAWDUST WITHIN YOUR MACHINE. THIS IS BECAUSE THE MACHINE HAS BEEN TESTED PRIOR TO SHIPMENT FROM THE FACTORY AND OR LAGUNA TOOLS. WE TEST MACHINES PRIOR TO SHIPPING TO CUSTOMERS, BUT MOVEMENT CAN TAKE PLACE DURING TRANSPORTATION. SOME ADJUSTMENTS MAY HAVE TO BE UNDERTAKEN BY THE CUSTOMER. THESE ADJUSTMENTS ARE COVERED IN THE VARIOUS SECTIONS OF THIS MANUAL.

Placement:

Before you remove your machine from the packaging, select the area where you will use your machine. There are no hard and fast rules for its location, but below are a few guidelines:

- 1.) There should be **sufficient area at the front** of the machine to allow you to work on it comfortably.
- 2.) There should be **sufficient area at the back** of the machine to allow access for adjustments and maintenance to be conducted.
3. **Adequate Lighting:** The better the lighting the more accurately and safely you will be able to work.
4. **Solid floor:** You should select a solid flat floor, preferably one made of concrete or something similar.
- 5.) **Power Source:** Locate it close to a power source and dust collection.
- 6.) **Storage Area:** Allow an area for the storage of blanks, finished products and tools.

UNBOXING:

⚠ WARNING! THE MACHINE WEIGHS 865 LBS (393 KG). ENSURE THAT YOU HAVE ENOUGH PEOPLE TO DO THE JOB SAFELY.

IF YOU HAVE ANY DOUBT ABOUT THE DESCRIBED PROCEDURE, SEEK PROFESSIONAL ASSISTANCE. DO NOT ATTEMPT ANY PROCEDURE THAT YOU FEEL IS UNSAFE, OR THAT YOU DO NOT HAVE THE PHYSICAL CAPABILITY OF ACHIEVING.

This step requires a forklift. The PX-22 is heavy, be careful when lifting and handling it! Failure to comply may cause serious injury and/or damage to the machine and/or property! Use a forklift to remove PX-22 from pallet and place on floor.

NOTE: Another option to remove the planer from the pallet is to attach the included hooks to frame of machine at each of the four corners (Fig. 1). The hooks and bolts are included in the hardware kit. The machine can then be

lifted with a harness and forklift. Remove and save hooks for later movement scenarios.



FIGURE 1: LIFTING PLANER WITH HOOKS AND HARNESS

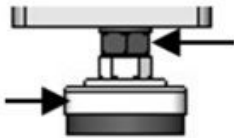
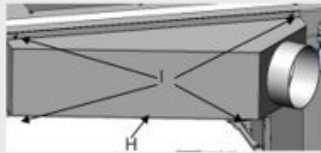





FIGURE 2: PALLET

Tool Inventory List

Tool Inventory List:

The following depicts items shipped with your machine. Before assembling, ensure that you have received all parts shown below. Machine parts should arrive sealed in plastic bags. Remove parts from plastic bags before laying them out to inventory them.

PX-22 Sheartec: II Planer			
Inventory Items			
Reference (Pictorial)	Description	Quantity	Packaging
	Leveling Feet with Hardware	4	On Pallet
	Dust Chute	1	Bubble Wrap Stored
	Hex Head Screws M6x10	4	Bubble Wrap Stored
	T25 Torx Wrenches	2	Bubble Wrap Stored
	Gauge Block	1	Bubble Wrap Stored

Tools/items Required: Assembly & Adjustment-

- T-25 Torx Wrench, included.
- 9/16" Wrench.

-
- 1/2" Wrench · 5mm Hex Wrench.
 - Gauge Block (Step .378IN/.393IN x .75IN (19mm) x 2.375IN (60.32mm).

**DANGER**

FOR YOUR OWN SAFETY, DO NOT CONNECT THE MACHINE TO THE POWER SOURCE UNTIL THE MACHINE IS COMPLETELY ASSEMBLED! PLEASE ALSO MAKE SURE THAT YOU READ AND UNDERSTAND THE ENTIRE MANUAL.

Machine Set-Up

Setup Overview:

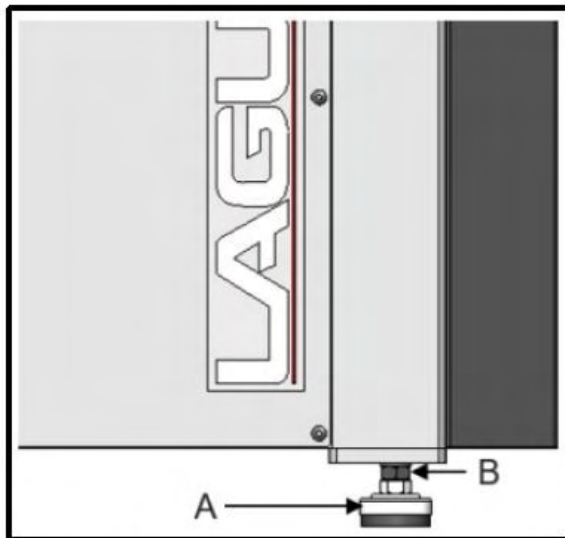
When setting up your PX-22 Shear-Tec: II Planer, please take a moment to read this overview prior to starting. The machine comes mostly assembled. You will have to assemble the leveling feet, the dust chute, and calibrate the height. After Setup, there may be a few adjustment to be made. All these adjustments are done prior to shipping the machine, but if additional adjustments are required, please follow the adjustment guides.

CAUTION! If you have any doubt about the described procedure, seek professional assistance. Do not attempt any procedure that you feel is unsafe, or that you do not have the physical capability of achieving.

Assembly

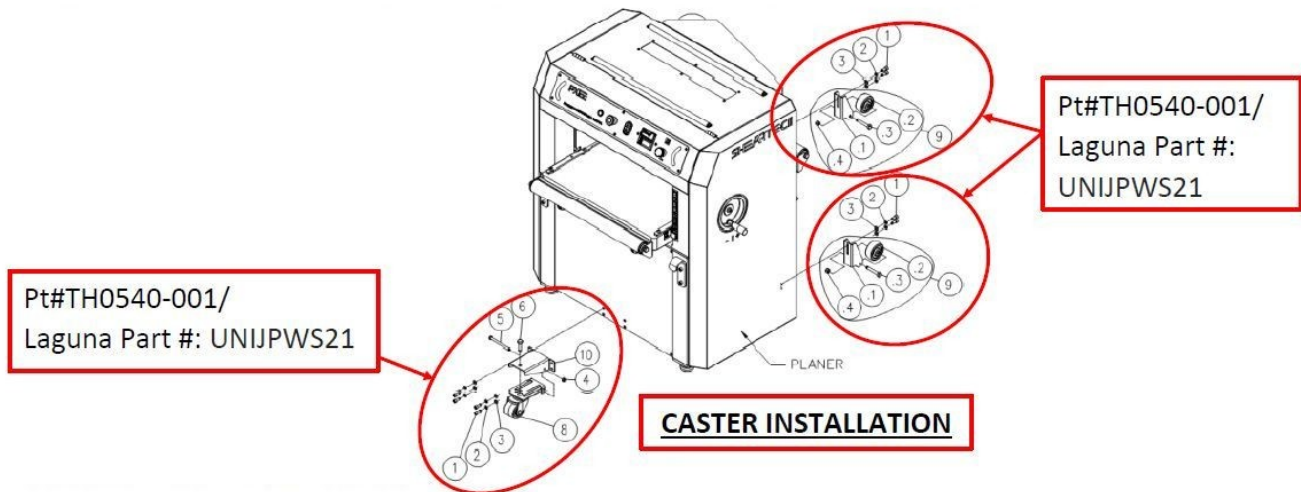
Machine Preparation and Setup:

1.) Level machine using the four leveling feet on each of the four corners. Lock leveling feet into position with the nut on the leveling foot stud.



LEVELING FEET

Installing Optional Universal Castors



- 1.) Raise and block planer for attaching caster set.
- 2.) Assemble swivel caster into swivel caster bracket (straight bracket) by placing bolt #5 through bracket and caster and securing with lock nut #4. Then place bolt #6 down through bracket into caster mount.
- 3.) Attach swivel caster to front (infeed) center of frame with four bolts #1, washers #2 and nuts #3. Tighten all four bolts.
- 4.) Assemble caster (wheel) #.2 to bracket #.1 using bolt #.3 and nut #.4. Repeat this process for second caster.
- 5.) Attach caster assembly #9 to rear (outfeed) side of frame using two bolts #1, 2-two washers #2 and two nuts #3. Repeat process for both casters. Tighten all four bolts.
- 6.) Carefully remove blocks with PX-22 Planer resting on casters.

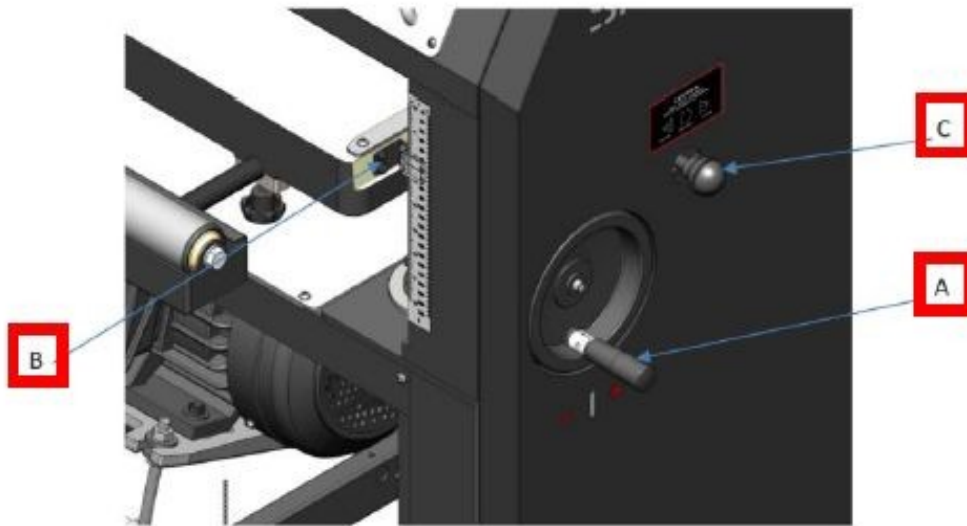
Calibrating the Thickness Scale

NOTICE! The following procedures describe the use of a “Calibrating Board.” It is a piece of hardwood which has been surfaced on one side with a jointer, drum sander or wide belt sander.

With the Planer “OFF”

- Make sure the cutter head is not rotating.
- Disconnect Power, place the Calibrating Board on the table, with the previously machined (flat) face “down.”
- Slide under the cutterhead.

Thickness Scale Calibration



1.) Use the Table Height Adjustment handle (**Fig. A**) to raise the table until the infeed roller is “approximately 1/16” above the calibrating board.

2.) Remove the calibrating board from the planer.

3.) Connect power to the planer and turn “ON.”

4.) Turn the height adjustment handle clockwise, one complete revolution, to lower the carriage and run the calibrating board (previously machined face “Down”) through the planer.

5.) Repeat Step 5 until the planer removes the entire top surface of the calibrating board.

NOTICE! Drawing pencil marks across the width of the top of the calibrating board in several locations can make it easier to determine when the entire surface has been planned.

6.) Measure the thickness of the calibrating board with a caliper.

7.) Loosen the two screws of the Thickness Scale pointer and adjust the pointer (**Fig. B**) until it corresponds to the measured thickness and then tighten the screws.

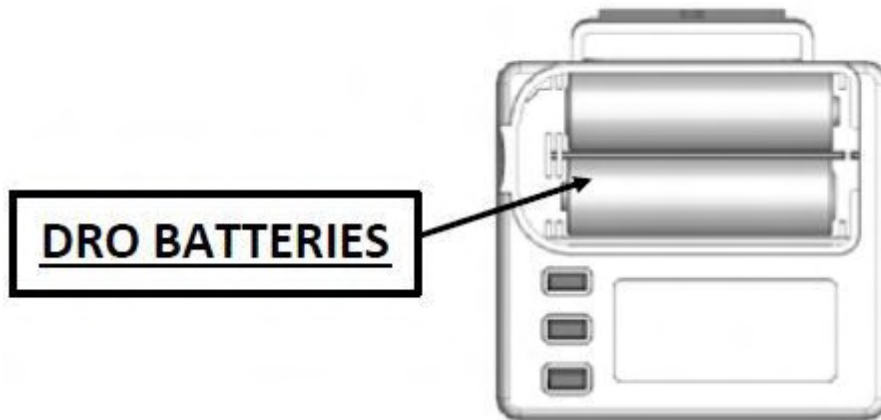


THICKNESS SCALE
CALIBRATION

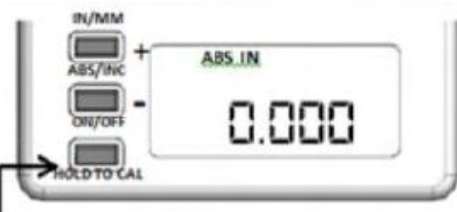
Calibrating the DRO (Digital Read Out)

1.) Remove the battery cover of the DRO and install (2) AAA batteries.


DRO Button Reference and Use It is helpful to familiarize these buttons and their purpose with the Wixey™ DRO.



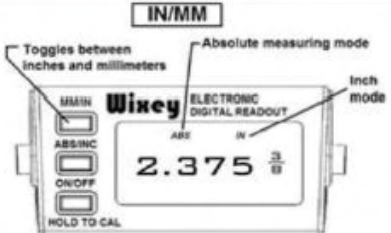
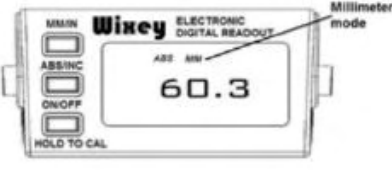
DRO (Digital Read Out) ADJUSTMENT



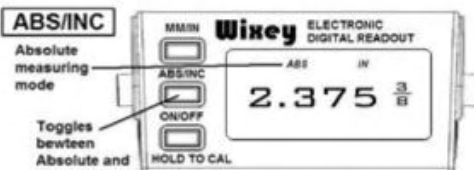
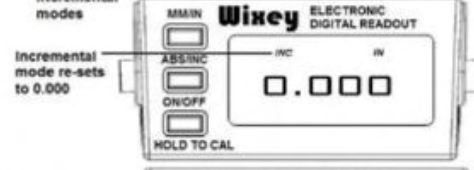
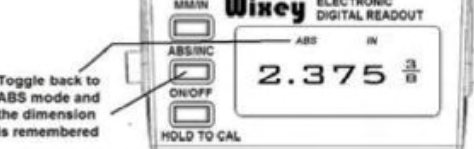
- PUSH MOMENTARILY TO TURN OFF AND ON
- HOLD FOR 3-5 SECONDS TO ENTER CALIBRATION MODE. THE "ABS IN" FLASHES
- TO CHANGE THE DISPLAY VALUE FROM 0.000 USE THE + OR - BUTTONS.



- A SHORT PRESS INCREASES ONE DIGIT. HOLDING THE BUTTON COUNTS FAST.
- PRESS THE ON/OFF BUTTON MOMENTARILY TO SET THE CALIBRATION VALUE. THE "ABS IN" WILL STOP FLASHING

ABS/INC

Operation

CAUTION! PLACE THE PLANER ON A “**SECURE AND STABLE SURFACE**” FOR OPERATION. “**CLAMP OR BOLT**” THE PLANER INTO POSITION.

- 1.) Establish the proper depth of cut (Equal to or less than 1/16”), using either the **DRO (Digital Read Out)** or **Scale**.
- 2.) Pull out and lock each extension roller to support long stock.
- 3.) Start Dust Collection Machine.
- 4.) Start Planer.



C displays the On/Off Switch

- 5.) Adjust & Set Feed Rate Speed (See Fig. C Below) to desired Speed (10 or 30 FPM), while planer is running.



WARNING! THIS ACTION WILL VOID WARRANTY! IF OPERATOR DOES NOT ADJUST DESIRED SPEED WHILE PLANER IS RUNNING.

- 6.) Feed stock into planer, maintain control and support of stock until the stock is securely feeding through planer.
- 7.) Reposition yourself to the outfeed side of planer and control and support stock until it has exited the outfeed roller.

Helpful Tips:

- PLANERS WORK BEST IF ONE FACE OF STOCK IS FLAT. IF NOT, FLATTEN WITH A JOINTER OR DRUM SANDER.
- IF NOT POSSIBLE TO FLATTEN ONE FACE, PROCESS CUPPED MATERIAL WITH THE CUP “UP” SO THE MATERIAL IS STABLE ON THE PLANER BED.
- IF MATERIAL IS SEVERELY CUPPED, ANOTHER OPTION IS TO RIP THE MATERIAL, PLANE IT AND GLUE IT

BACK TOGETHER.

- PLANE WITH THE DIRECTION OF GRAIN TO REDUCE TEAR-OUT AND PROVIDE THE BEST SURFACE FINISH.
-

Maintenance

CAUTION! FAILURE TO MAINTAIN THIS MACHINE USING REQUIRED ROUTINE UPKEEP, SAFEGUARDING & PREVENTIVE MEASURES **WILL VOID WARRANTY.**

General

Keep your machine clean. At the end of each day, clean the machine. Wood contains moisture, and if sawdust or wood chips are not removed they will cause rust.

In general, we recommend that you only use a Teflon-based lubricant on the planer. Regular oil attracts dust and dirt. Teflon lubricant tends to dry and has less of a tendency to accumulate dirt and sawdust.

Periodically check that all nuts and bolts are tight.

Routine Inspections

It is a good idea to routinely inspect any quality woodworking tool to keep it in optimum condition. This includes inspecting all hardware for tightness, ensuring the filter is clean, and cleaning debris and grime from any surfaces and moving parts. In addition, make sure to:

- **Clean out-feed rollers and table with a non-flammable solvent to remove pitch, gum, and other unwanted build-up.**
 - Periodically clean the inside of the machine for dust control.
 - **Keep pulleys and belts free from dirt, dust, oil, and grease.**
 - Replace worn belts as needed. · Replace or rotate worn knives.
 - There is one limit switch on the planer that triggers if the hood is opened. Keep it clean and blown out with an air hose.
-

Shear-Tec II Knife Rotation/Replacement

CAUTION! KNIFE INSERTS ARE DANGEROUSLY SHARP. USE EXTREME CAUTION WHEN INSPECTING, REMOVING, OR REPLACING KNIFE INSERTS.

WARNING!

- TURN PLANER OFF AND DISCONNECT POWER BEFORE PERFORMING ANY MAINTENANCE OR ADJUSTMENTS!
- MAKE SURE ALL KNIFE INSERT SCREWS ARE TIGHTENED SECURELY. LOOSE INSERTS CAN BE PROPELLED AT HIGH SPEED FROM A ROTATING CUTTERHEAD, CAUSING INJURY.

TORQUE EACH SCREW TO 52-60 IN/LBS or 231-267 Newtons.

- KNIVES ARE EXTREMELY SHARP. BE VERY CAREFUL WHEN HANDLING KNIVES. FAILURE TO COMPLY MAY CAUSE SERIOUS INJURY.

The knife inserts on the Planer are four-sided. When dull, remove each knife, rotate it 90° for a fresh edge, and re-install it. No further adjustment is necessary. **Use a Torx wrench (T25)** to remove the knife insert screw. Use a second Torx wrench to hold the cutterhead (from rotating) in position (in another screw). **DO NOT USE YOUR HAND TO HOLD THE CUTTERHEAD!**

(See Figure Below).



It is advisable to rotate all inserts at the same time to maintain consistent cutting. However, if one or more knife inserts develops a nick, rotate only those inserts that are affected. Each knife insert has an etched reference mark

so you can keep track of the rotation.

Torque each screw to 52-60 in/lbs. or 231-267 Newtons.

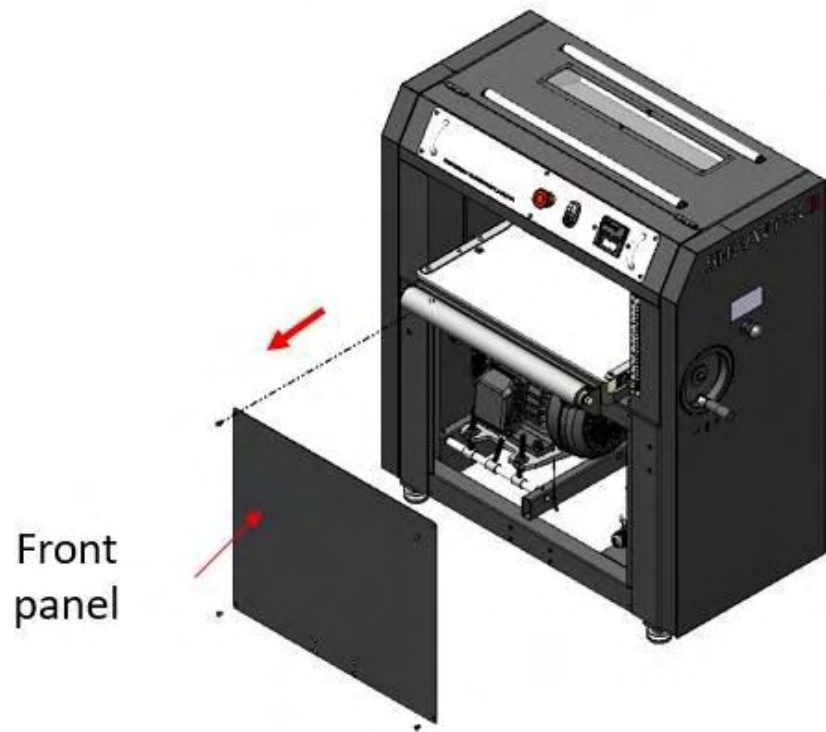
IMPORTANT! When removing or rotating inserts, **clean sawdust from the screw**, the insert, and the cutterhead platform (*****Failure to this procedure or protocol will result in a stripped screw.*****).

Dust accumulation between these elements can prevent the insert from seating properly and may affect the quality of the cut. Before installing each screw, lightly coat the screw threads with machine oil and wipe off any excess. Securely tighten each screw which holds the knife inserts before operating the jointer!

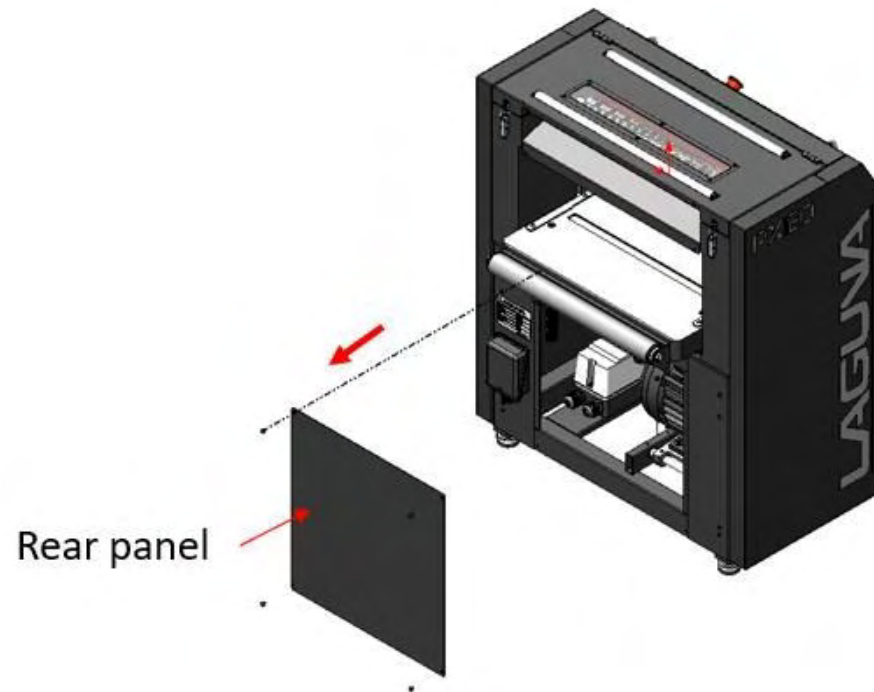
Front/Rear Precision Adjustment

Step 1

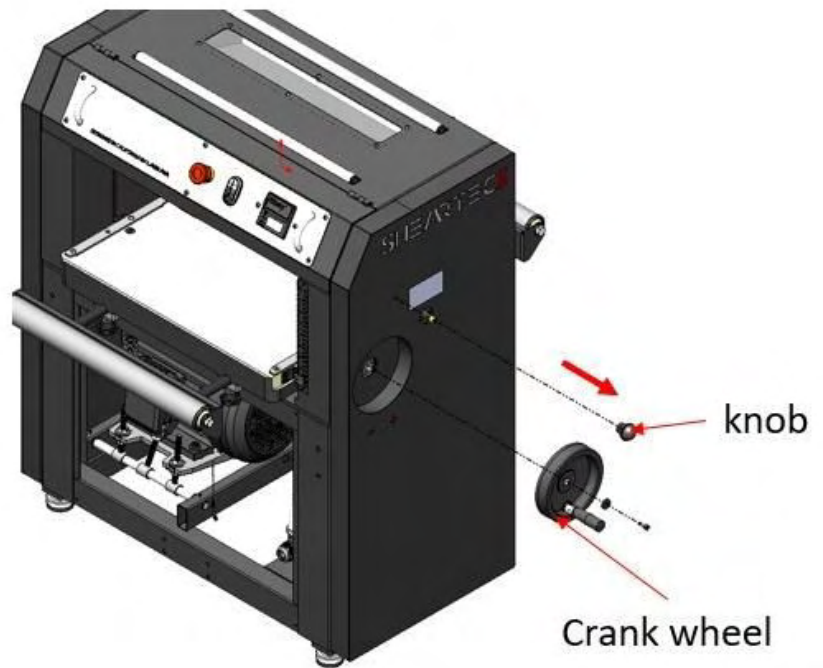
remove front panel with 4mm hex wrench



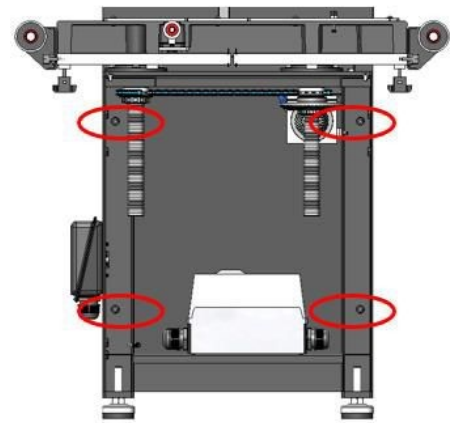
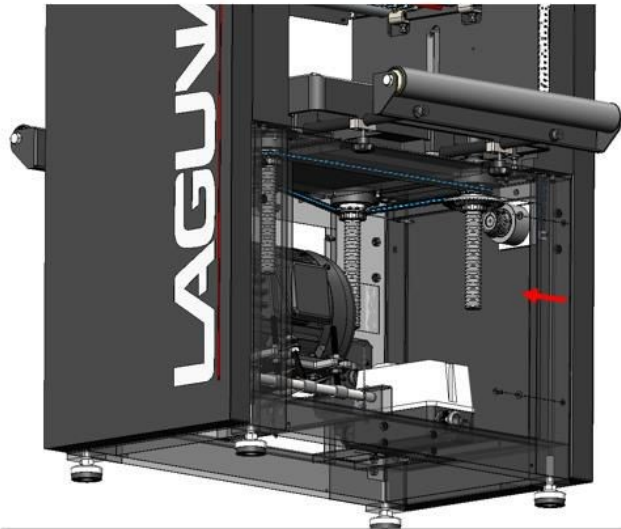
Step 2:
Remove rear panel with 4mm hex wrench



Step 3: remove crank wheel and knob with 5mm hex wrench

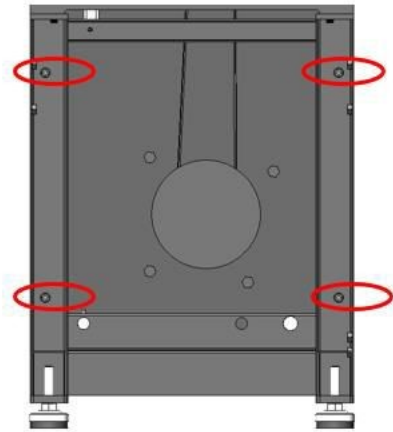
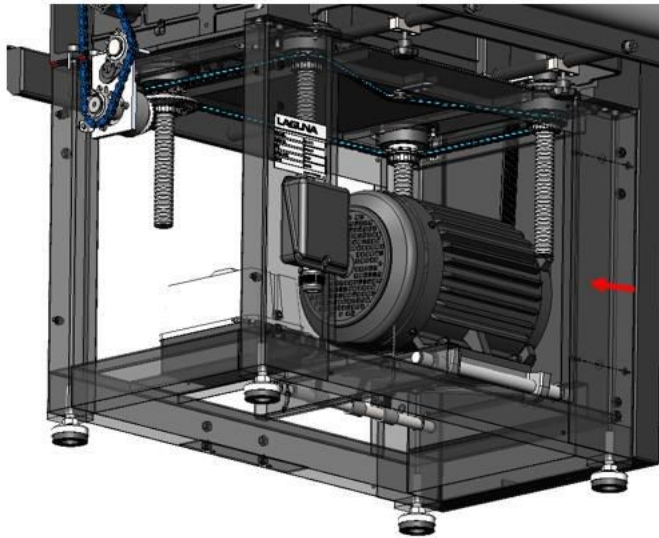


Step 4:
Remove right side panel with 5mm hex wrench



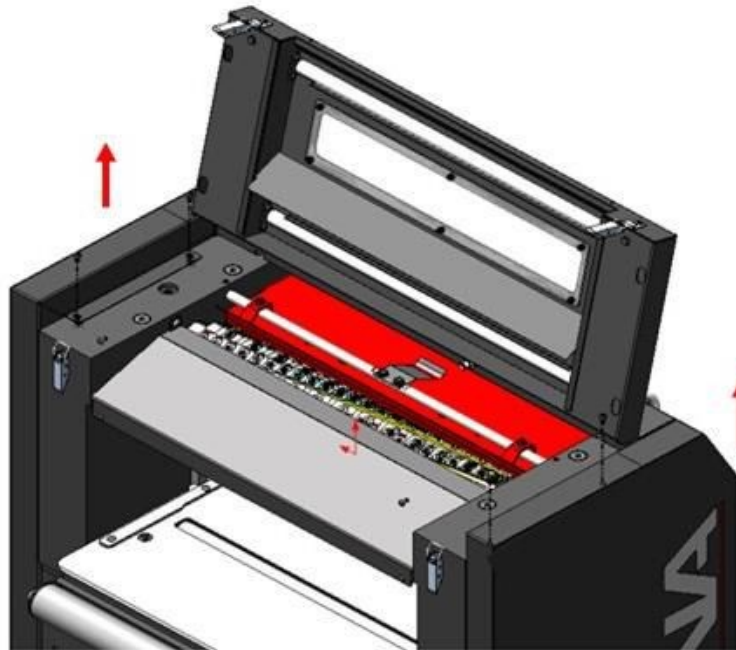
Remove 4 screws of right
side panel

Step 5:
Remove left side panel with 5mm hex wrench

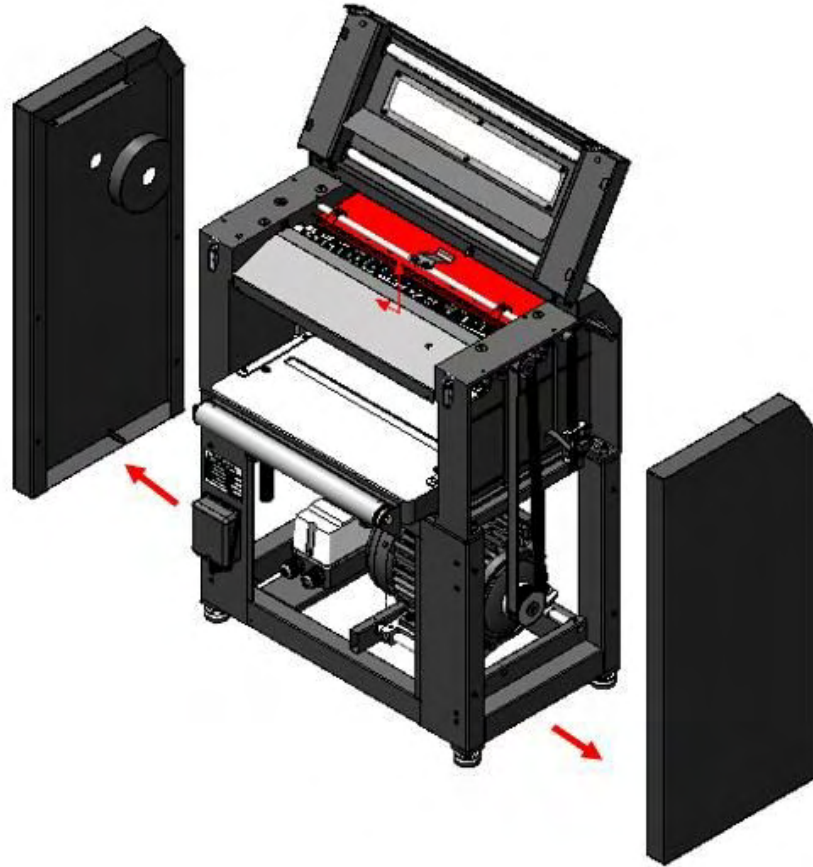


**Remove 4 screws of left
side panel**

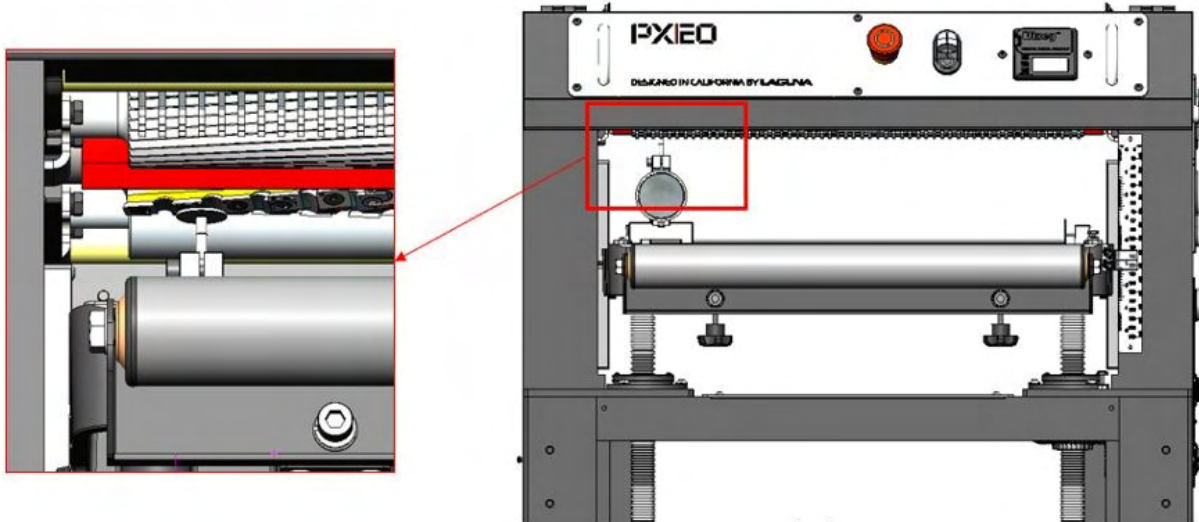
Step 6: open lid, remove right and left side covers with 4mm wrench



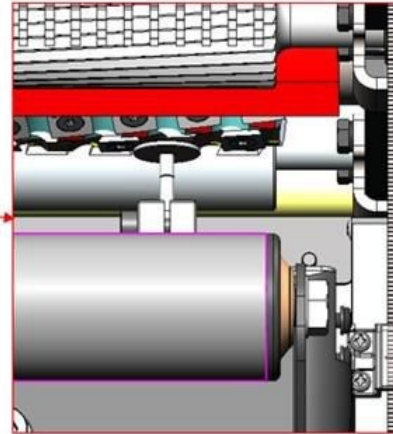
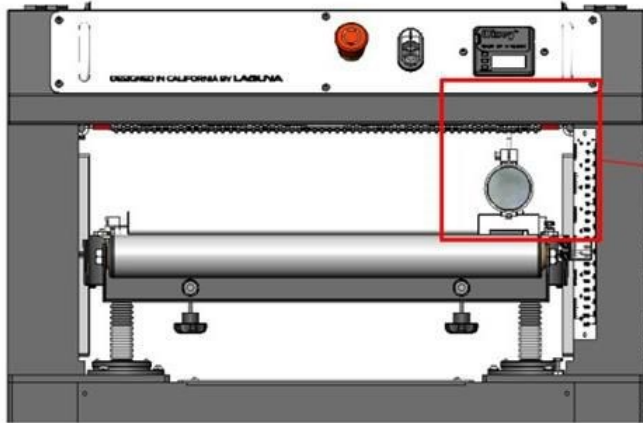
Step 7: remove left and right side covers



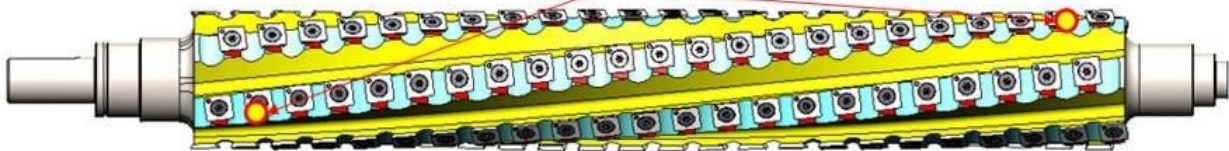
Step 8: Put Dial Gauge Fixture on the Left Blade Insert Tip, Set Zero.



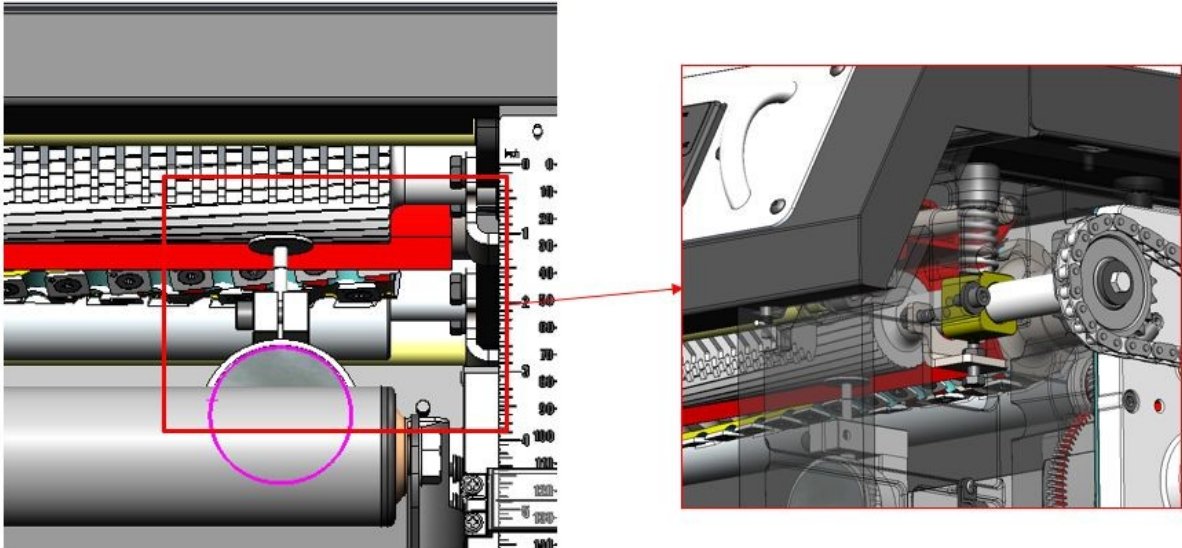
Step 9: move dial gage fixture to the right blade insert tip, check left and right tips are close to zero.



Dial gage fixture probe to contact the left insert and right insert of the same helical line



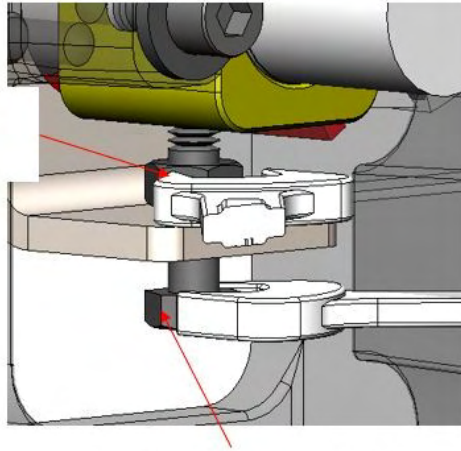
Step 10: move dial gage fixture to the right of front roller then check/adjust roller height



**Criteria- Front Roller 0.6~0.8mm lower than blade tip
Rear Roller 0.6~0.8mm lower than blade tip**

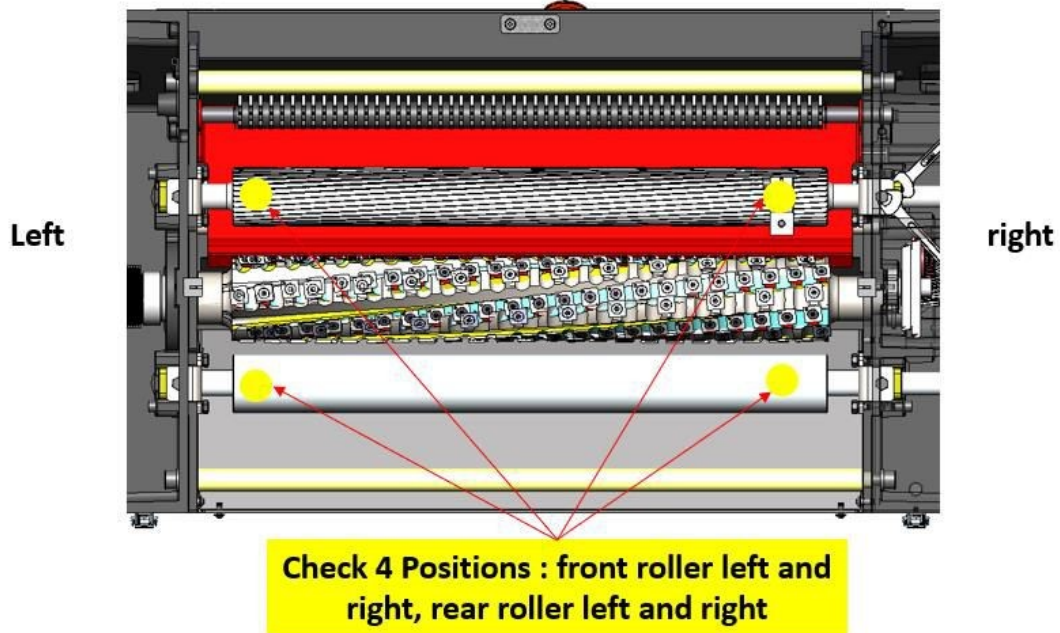
STEP 11: Height adjustment: release nut with 10mm wrench, adjust screw to make roller height right then secure nut again. (adjustment positions refer to slide 13)

Release nut with 10mm
wrench

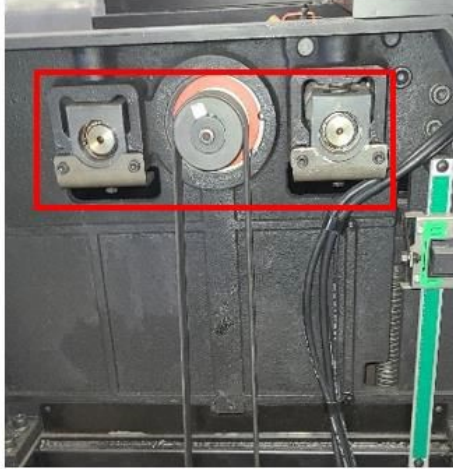


Adjust screw to make roller height right then secure the nut

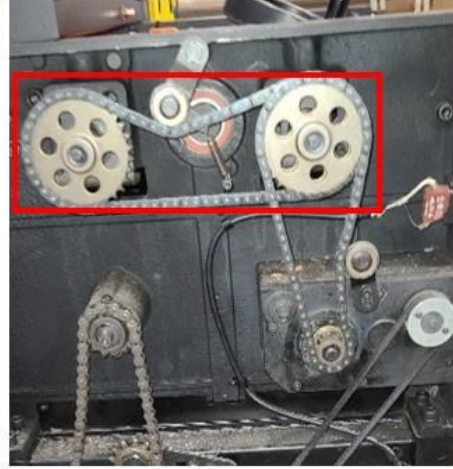
Step 12: repeat the same procedure other 3 adjustments: the left of front roller, right of rear roller, left of rear roller



Step 13: Front and Rear Rollers height adjustment positions.



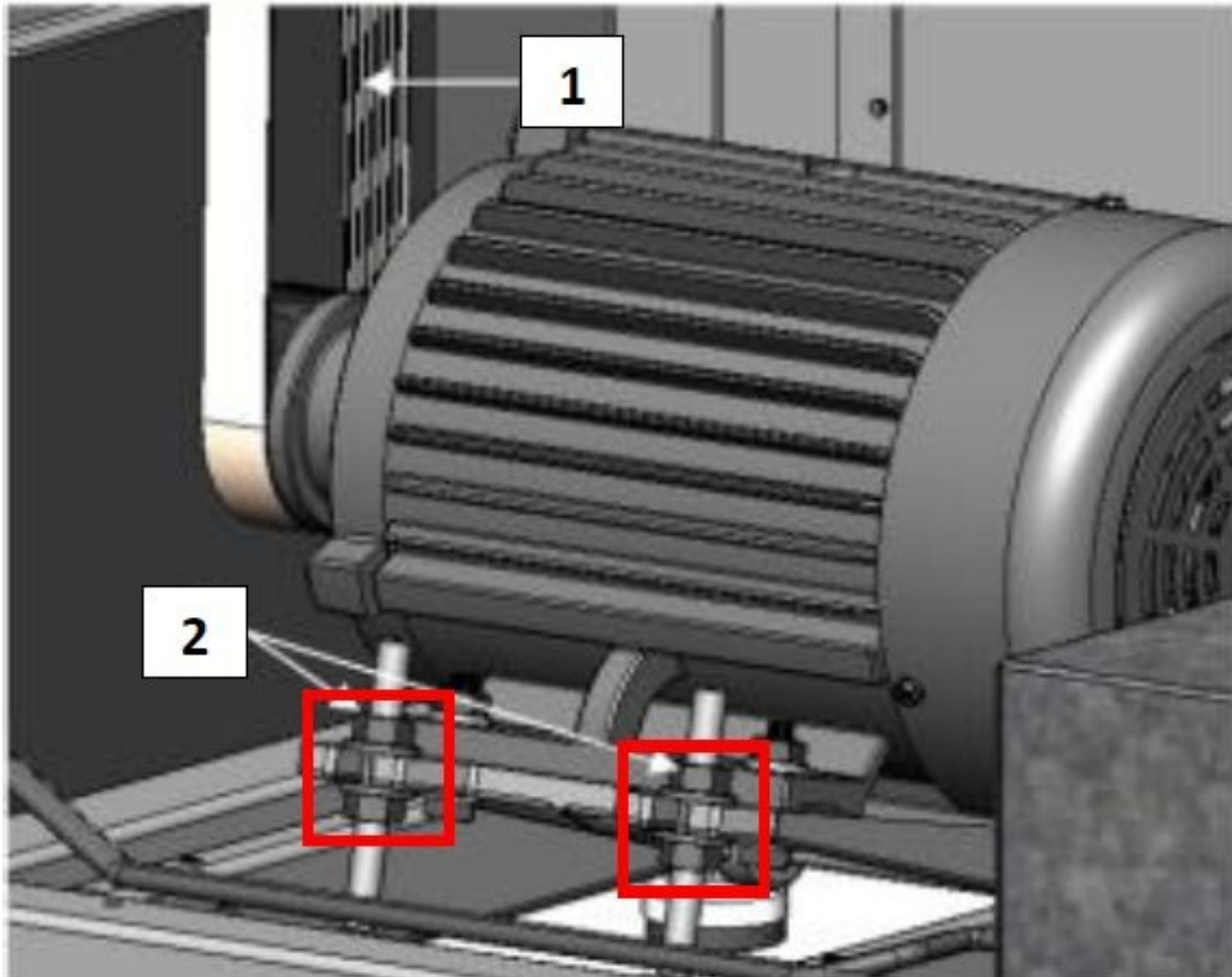
Left View: Front and Rear Rollers adjustment positions.



Right View: Front and Rear Rollers adjustment positions.

Poly V Belt Adjustment

WARNING! TURN PLANER OFF AND DISCONNECT POWER BEFORE PERFORMING ANY MAINTENANCE OR ADJUSTMENTS!



Poly-V-Belt Adjustment

Poly-V-Belt (**Fig. 1**) tension has been set at the factory. If the belt has stretched and needs adjustment.

1.) Disconnect machine from power source.

2.) Open lower rear, and lower left-hand side panels. Loosen and tighten four adjustment nuts (**Fig. 2**) to move motor plate up, or down to increase, or decrease belt tension.

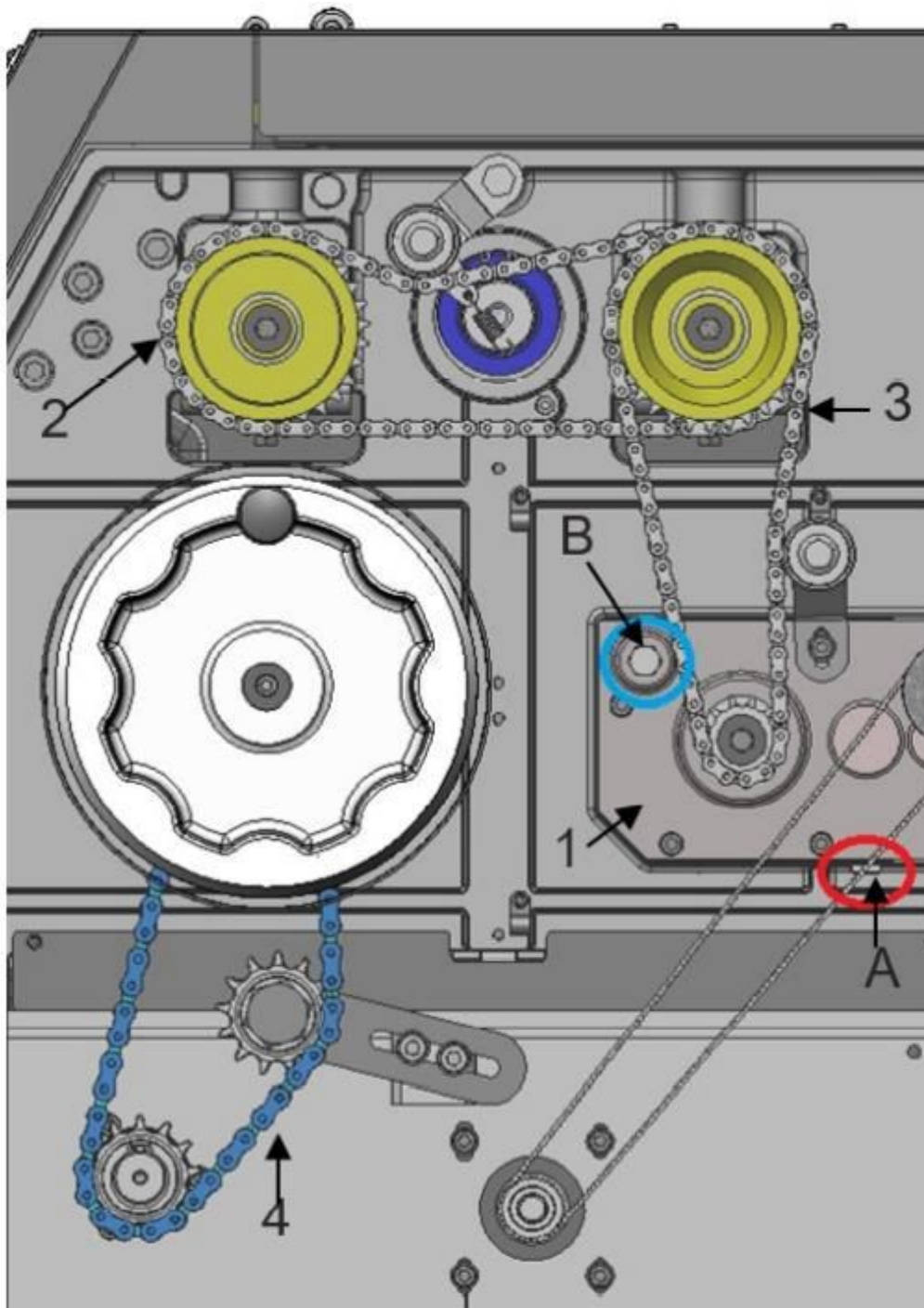
3.) Tighten nuts against motor plate after adjustment is made.

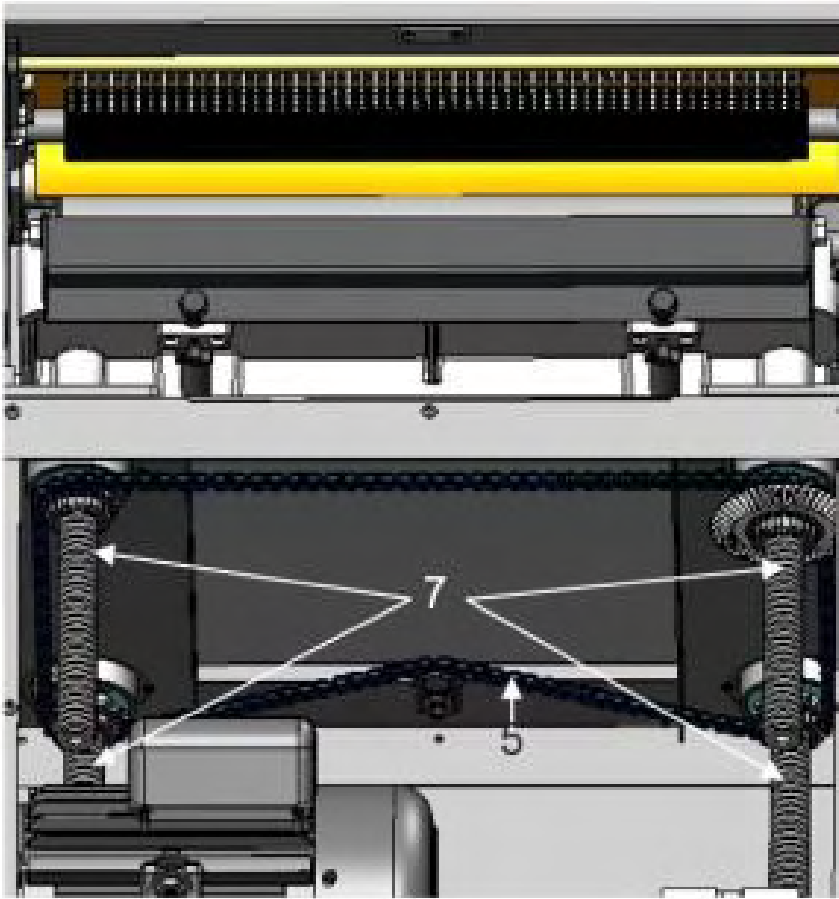
4.) Belts are tensioned properly when moderate finger pressure can deflect the V-Belts about a 1/4"-1/2" midway between the pulleys.

Lubrication

Regular monitoring and replacement of lubrication is needed.

LUBRICATION TABLE			
No.	Position	Grease	Oil
1	GEAR BOX	NO	YES
2	CHAIN	YES	NO
3	CHAIN	YES	NO
4	CHAIN	YES	NO
5	CHAIN	YES	NO
6	BUSHING	NO	YES
7	LEAD SCREW	YES	NO



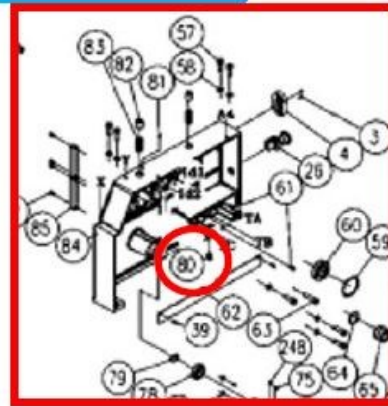
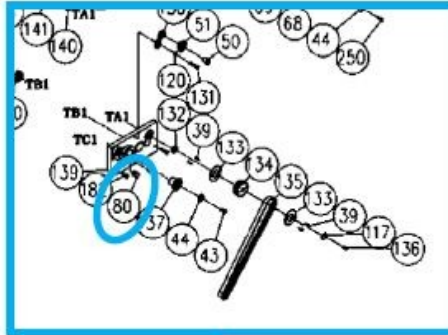
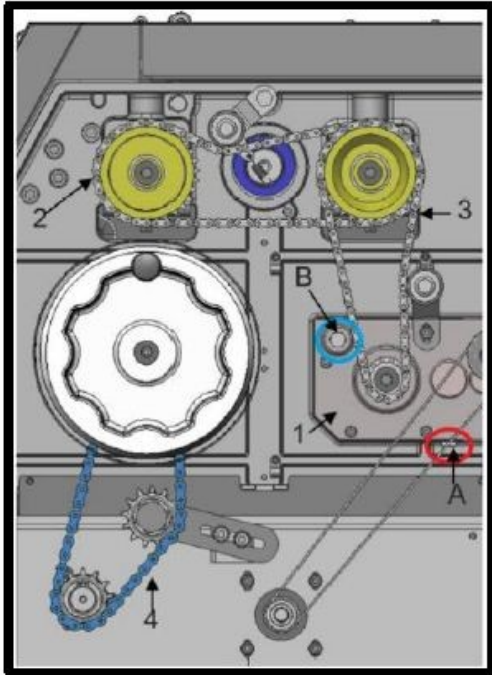




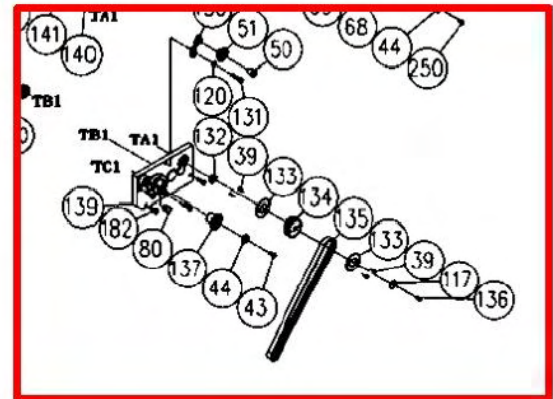
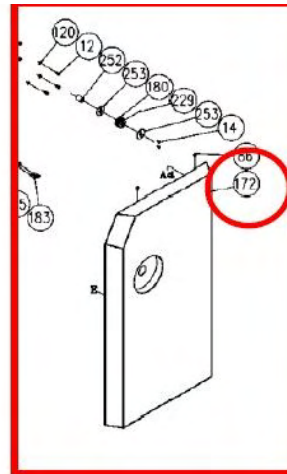
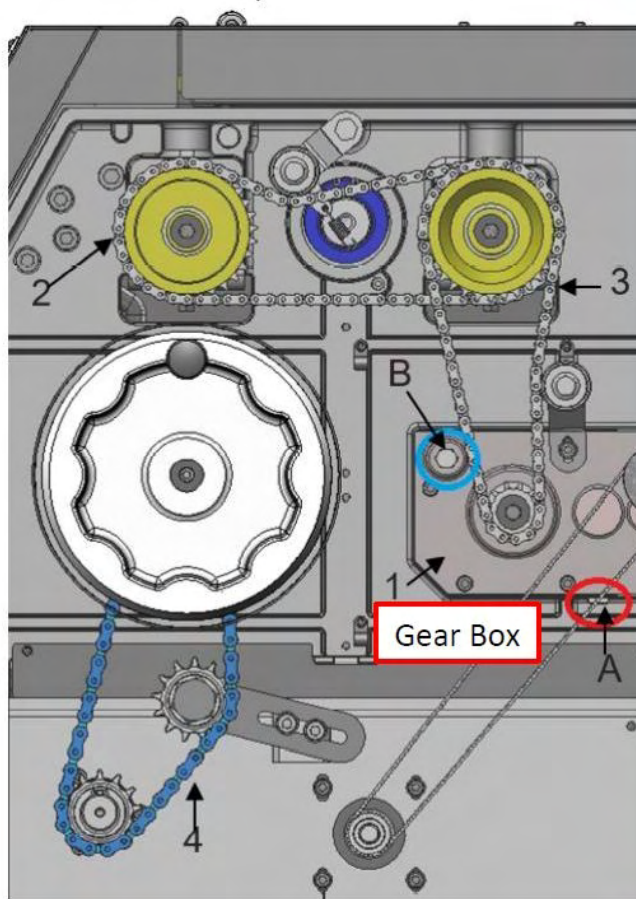
The lubricant in the gear box must be drained and replaced every 2,500 hours. Multi-purpose gear box lubricant (**#80 Weight Oil**) will be suitable.

To Replace the lubricant (Oil Drain Procedure):

- 1.) Remove **the Lower Gear Box Oil Drain Plug (See A-Pt. #80)**. Drain dirty oil thoroughly.
- 2.) Re-insert and tighten **the Lower Gear Box Oil Drain Plug (See A-Pt. #80)**.
- 3.) Remove , **Upper Oil Fill Plug (See B-Pt. #80)** and fill with 400ml or 13.5 fl. oz. of clean lubricant (**#80 Weight Oil**) through the hole.
- 4.) Install and tighten **Upper Oil Fill Plug (See B-Pt. #80)**.



The Gear Box Oil must be changed after 2500 hours of work (Instructions to remove Gear Box Oil Cover is as follows).



(Instructions on how to remove Gear Box Oil Cover & change Inner Gears is as follows-Cont'd.)

Tools to Use- M6 Wrench.

- 1.) **Safety-Shut Down all Power to PX-22 Planer, Pull Electrical Plug from Outlet.**
- 2.) Remove the Right-Side Cover (Pt.# 172) of the Machine.
- 3.) **Perform Oil Drain Procedure (See Page #61).**
- 4.) Remove the following parts on order-Pt.136, 117, 39, 133, 135, 134, 133, 39, 132.
- 5.) Then, remove the following parts in order: Parts #50, 51,131, 120, 130.
- 6.) Then, remove the following parts in order: Parts #43, 44, 137.
- 7.) Remove Pt.# 182- Cap Screws M6-1.0x20.
- 8.) Then one can remove the Gear Box Cover, Pt. #139 to obtain access to parts #129, 76, and Parts #140-150 for replacement.
- 9.) To re-assemble unit, Performs Steps #7 through #2 in Reverse order. Step #3-Fill appropriate recommended Oil Type & oil amount in Gear Box.

- All chains must be lubricated regularly.
- Every 30 hours, lubricate the bushings.

- Lubricate the four lead screws regularly.
 - Teflon Lube is the preferred lubrication for the lead screws.
-

Troubleshooting

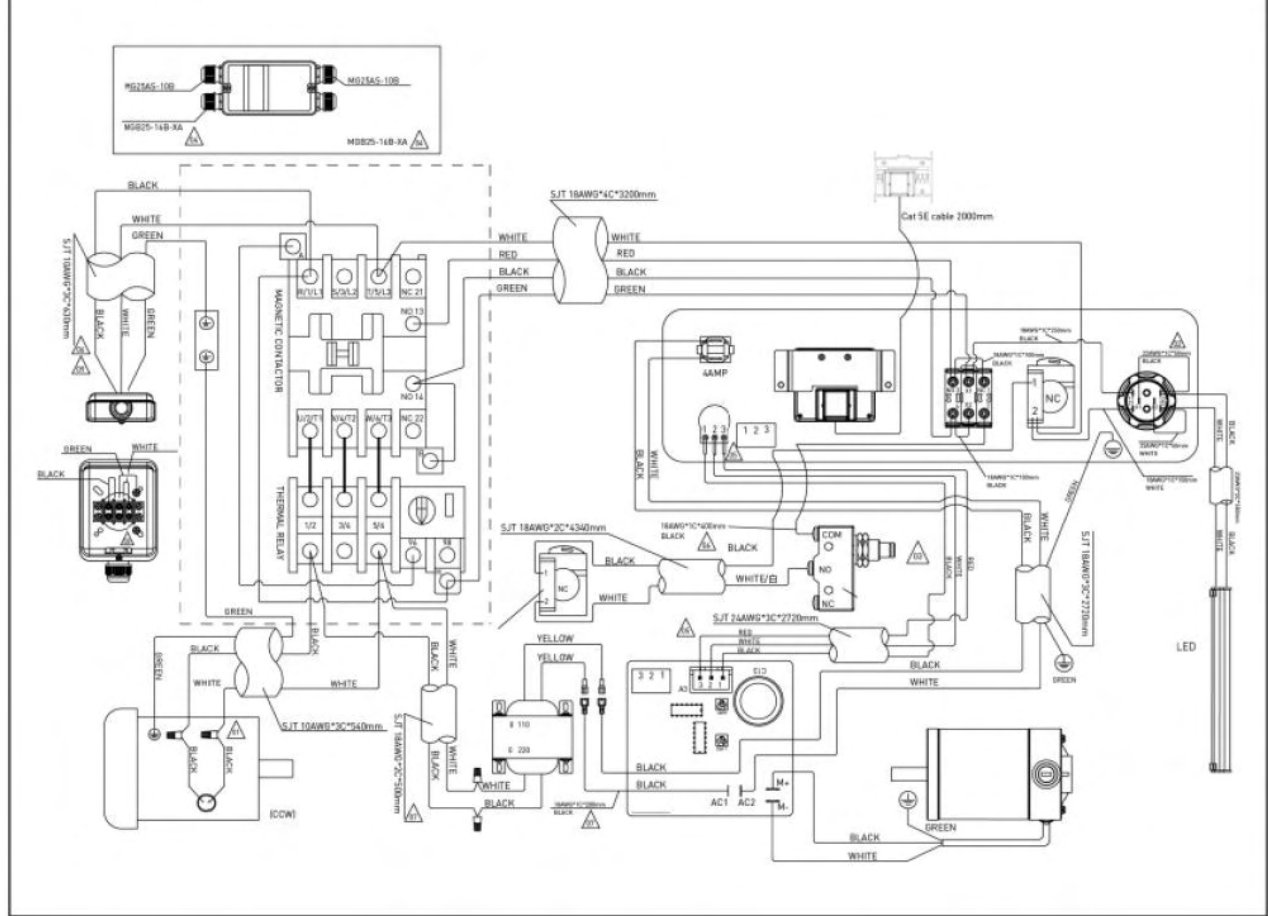
Symptom	Possible Cause	Possible Solution
Machine will not start.	<ol style="list-style-type: none"> 1.) Fuse blown or circuit breaker tripped. 2.) Cord damaged. 3.) Not connected to power source. 4.) Connected to wrong voltage. 5.) Top cover is open. 6.) Emergency stop button pressed. 7.) Overload tripped. 	<ol style="list-style-type: none"> 1.) Replace fuse or reset circuit breaker. 2.) Have cord replaced. 3.) Check connection. 4.) Check voltage. 5.) Close top cover. 6.) Rotate emergency stop button clockwise until it pops out. 7.) Remove lower rear cover on the base and press reset switch found inside.
Cutterhead does not come up to speed.	<ol style="list-style-type: none"> 1.) Low current. 2.) Motor not connected to correct voltage. 	<ol style="list-style-type: none"> 1. Contact local electric company. 2. Refer to motor nameplate for correct voltage.
Workpiece stops when feeding.	<ol style="list-style-type: none"> 1.) Too much material being removed in one pass. 2.) Chip breaker or pressure bar set too low. 3.) Insufficient pressure on in-feed or outfeed rollers. 	<ol style="list-style-type: none"> 1. Reduce the amount of material being removed. 2. Raise the pressure. 3. Increase pressure on in-feed or outfeed rollers.
Snipe.	<ol style="list-style-type: none"> 1.) Incorrect setting for infeed, out-feed rollers, pressure bar. 2.) Inadequate support of long boards. 3.) Table roller not set properly. 	<ol style="list-style-type: none"> 1.) Adjust feed system. 2.) Support long boards with extension rollers. 3.) Adjust table roller until desired results are achieved.
Fuzzy Grain.	<ol style="list-style-type: none"> 1. Planing wood with a high moisture content. 2. Dull knives. 	<ol style="list-style-type: none"> 1.) Allow wood to dry properly. 2.) Rotate or replace knives.
Poor feeding of lumber.	<ol style="list-style-type: none"> 1.) Inadequate feed roll pressure. 2.) Planer bed dirty. 3.) Drive-belt(s) slipping. 4.) Dirty feed rollers. 5.) Incorrect setting for in-feed, out-feed rollers, pressure bar. 	<ol style="list-style-type: none"> 1.) Adjust feed roll tension or lower feed rollers. 2.) Clean pitch and residue off table with a non-flammable solvent. 3.) Increase drive-belt tension. 4.) Clean feed rollers with a nonflammable solvent. 5.) Adjust feed system.

Wiring

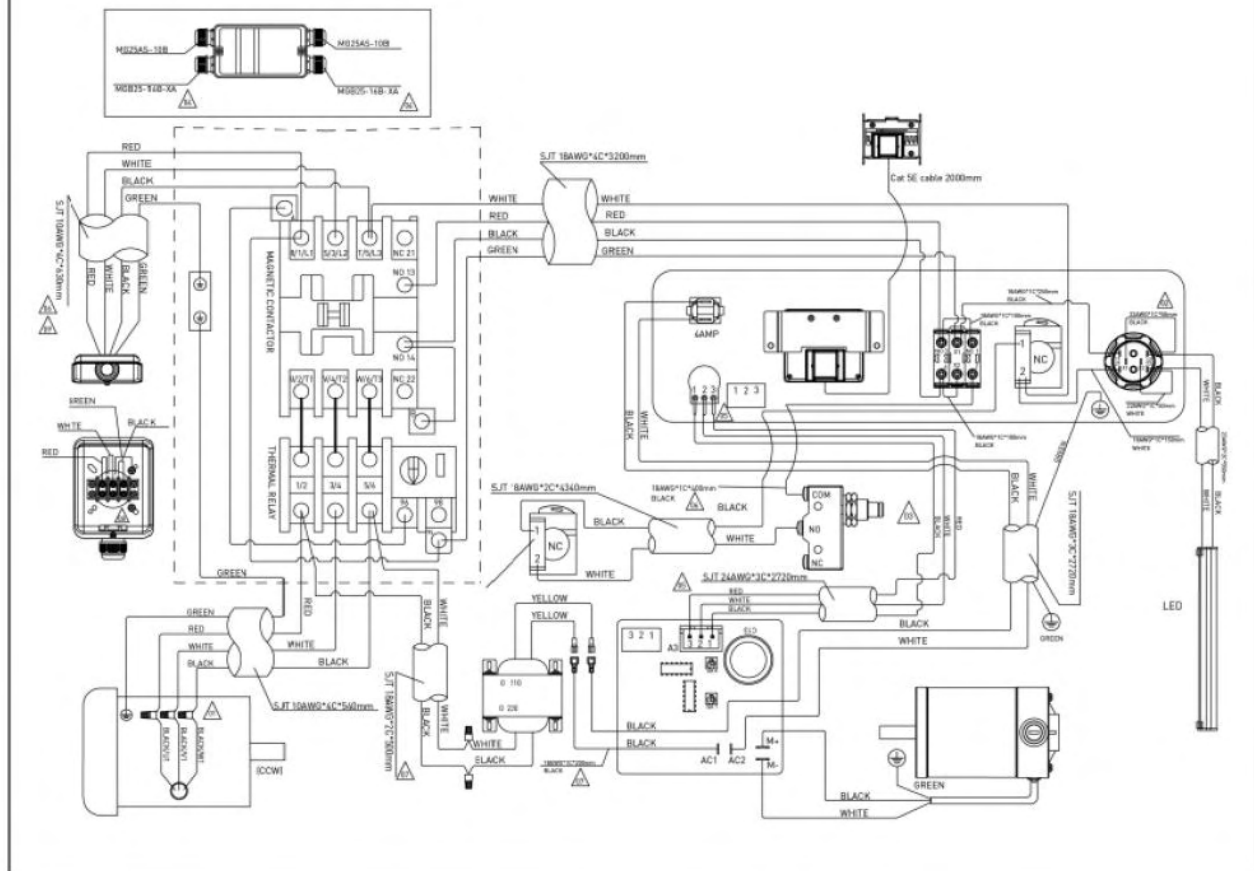
WARNING! REVIEW ELECTRICAL SAFETY (Pg's.#6-16) PRIOR TO ANY WIRING PROCEDURES.

Model #	MPLANPX2275-0130	
VOLTAGE	220 VOLTS or 220V	
PHASE	1PH	
HERTZ	60Hz	
FULL LOAD AMPERAGE	32 AMPS	
<p>WARNING!- Below are RECOMMENDATIONS to be used for this machine based on the above information.</p> <p>Variables that may affect this are:</p> <p>*Actual voltage supplied to the machine.</p> <p>*Electrical Code that must be met in your local province.</p> <p>An Electrician will verify that all the demands are met to properly wire the machine. If you have absolutely any doubt when wiring this machine - please consult with a Qualified Electrician.</p>		
PLUG/RECEPTACLE	NOT INCLUDED	
WIRING (Gauge)	See Jacket Printing.	
CIRCUIT BREAKER	40 Amp Minimum	
Model #	MPLANPX2210-0130	
VOLTAGE	220 VOLTS or 220V	
PHASE	3PH	
HERTZ	60Hz	
FULL LOAD AMPERAGE	28 AMPS	
<p>WARNING!- Below are RECOMMENDATIONS to be used for this machine based on the above information.</p> <p>Variables that may affect this are:</p> <p>*Actual voltage supplied to the machine.</p> <p>*Electrical Code that must be met in your local province.</p> <p>An Electrician will verify that all the demands are met to properly wire the machine. If you have absolutely any doubt when wiring this machine - please consult with a Qualified Electrician.</p>		
PLUG/RECEPTACLE	NOT INCLUDED	
WIRING (Gauge)	See Jacket Printing.	
CIRCUIT BREAKER	35 Amp Minimum	

PX22 1PH 7.5HP*230V*60HZ*1PH*2P



PX22 3PH 10HP*230V*6.0HZ*3PH*2P



Replacement

Cutterhead & Drivetrain -

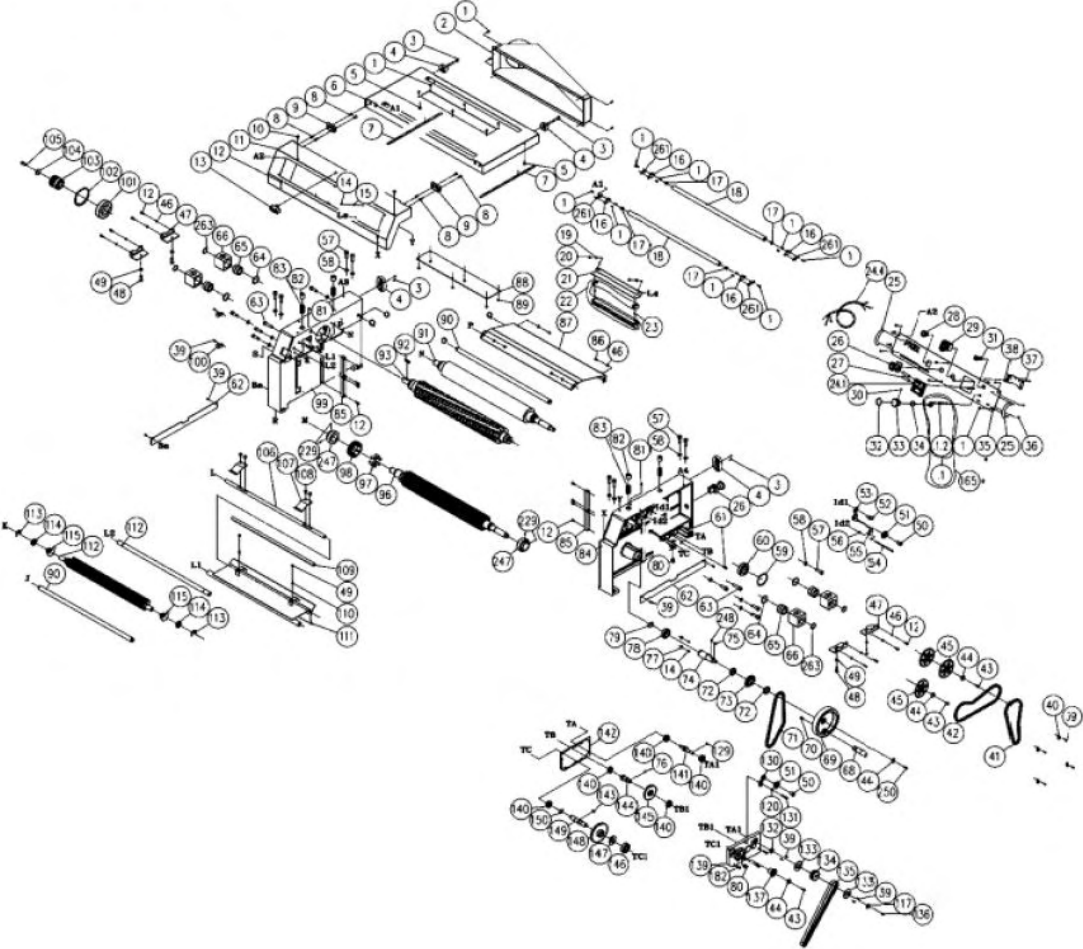
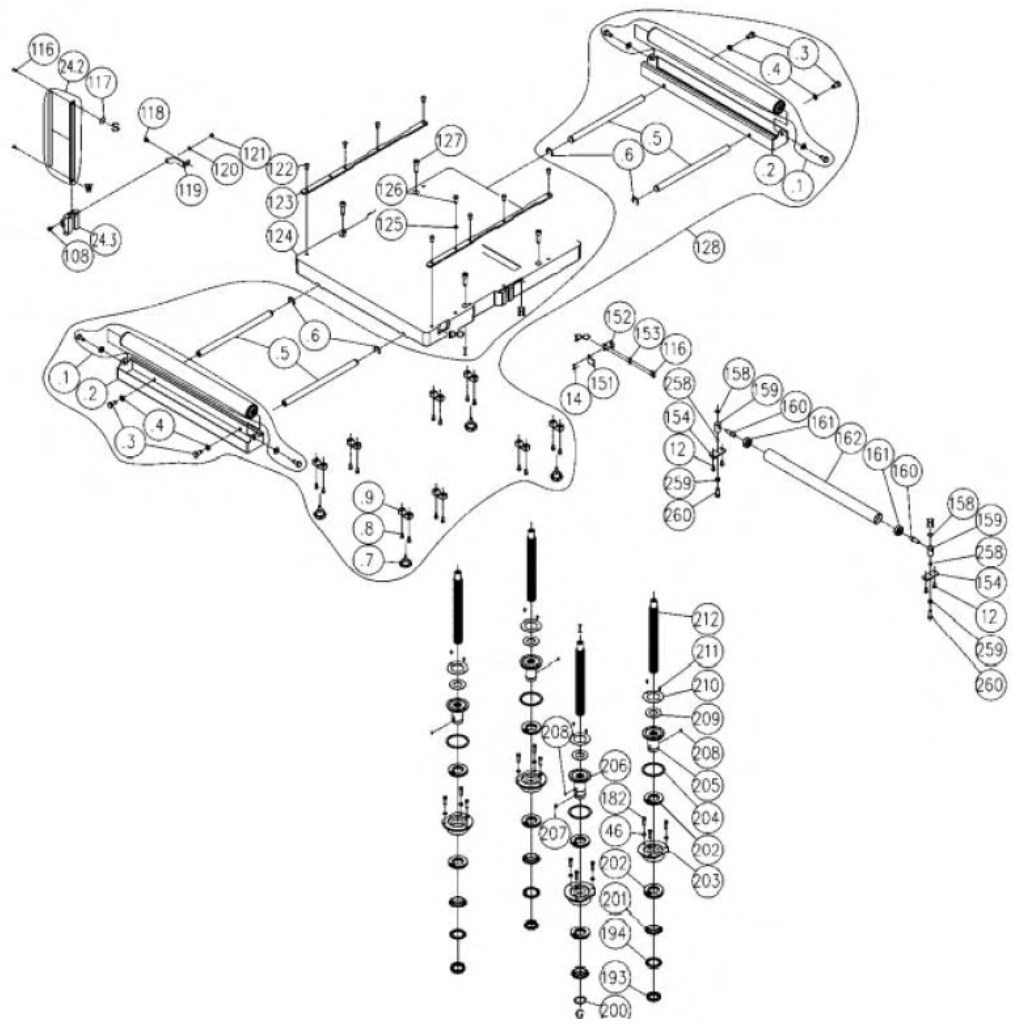
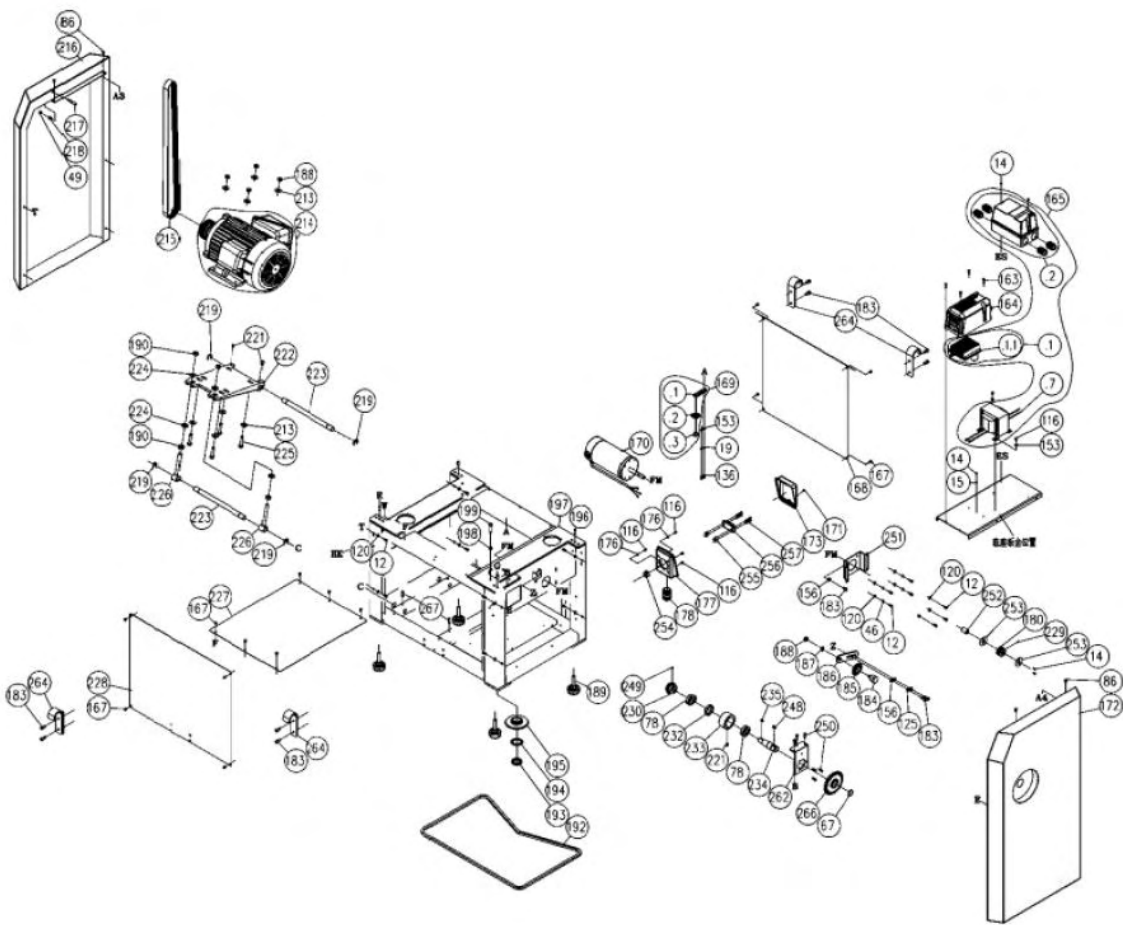


Table & Lift-



Stand & Motor-



Replacement Parts Table

REF NO	PART NUMBER	DESCRIPTION	SPECIFICATION	QTY
1	000804-107	ROUND HEAD HEX SCREW	M5-0.8X12	30
2	174567-000	DUST CHUTE		1
3	000302-201	ROUND HEAD PHILLIPS SCREW	M4-0.7X6	8
4	230409-905	BUCKLE	CT-22	2
5	340007-615	BLOCK		2
6	174557-000	TOP COVER		1
7	200103-000	SPONGE		2
8	000403-207	FLAT HEAD PHILLIPS SCREW	M6-1.0X16	8
9	679030-008	BUTTERFLY HINGE	AZ2510B	2
10	000002-101	HEX SCREW	M6-1.0X12	2
11	174551-000	CONTROL BOX COVER		1
12	000103-103	CAP SCREW	M6-1.0X12	37
13	491101-000	LIMITED SWITCH	MJ2-1307	1
14	000302-701	ROUND HEAD PHILLIPS SCREW	M4-0.7X6	10
15	006501-100	INT. TOOTH WASHER	4.3X8.5(BW-4)	2
16	174723-904	ROLLER BRACKET		4
17	030119-000	BALL BEARING	605	4
18	361352-906	ROLLER		2
19	006302-300	SPRING WASHER	5.1-9.3	4
20	000102-101	CAP SCREW	M5-0.8X6	2
21	174699-000	BRACKET FOR LAMPS		1
22	924592-001	LED LIGHT GROUP		1
23	000404-101	FLAT HEAD PHILLIPS SCREW	M3-0.5X6	2
24	924681-000	DIGITAL READ OUT ASSEMBLY		1
.1	491210-000	DIGITAL READ OUT	WR5502CT	1
.2	950788-000	SENSOR STRIP	WR7003(800MM/295MM),C T320MM	1
.3	491128-000	SENSOR	WR5501	1
.4	730139-001	CABLE	CAT 5E/RJ45-8P8CT-AX2M	1
25	300117-909	SWITCH GUARD		2
26	491153-000	EMERGENCY STOP	NPB22-H01R	2
27	490488-000	BATTERY	AAA	2
28	491144-000	KEY	S22FD-20TL220	1
29	491127-000	POWER SWITCH	M22DP-SF11E230WB(I,O)	1
30	000201-101	SET SCREW	M4-0.7X6	1
31	491181-000	LIMITED SWITCH	4AMP	1
32	043307-000	RETAINING RING	P24	1
33	300121-909	SPEED ADJUST KNOB		1
34	043330-000	RETAINING RING	P16	1

REF NO	PART NUMBER	DESCRIPTION	SPECIFICATION	QTY
36	000301-101	ROUND HEAD PHILLIPS SCREW	M3-0.5X6	4
37	001202-602	SELF-TAPPING SCREW	M3-1.06X6	2
38	174750-000	FIXING PLATE		1
39	000302-103	ROUND HEAD PHILLIPS SCREW	M4-0.7X10	14
40	021101-100	WIRE FIXING BUCKLE	ACC-2-B	4
41	016306-000	CHAIN	#06B-63P	1
42	016307-000	CHAIN	#06B-76P	1
43	000002-103	HEX SCREW	M6-1.0X16	3
44	006001-029	FLAT WASHER	6.5-23X3.0	4
45	150027-000	CHAIN SPROCKET		3
46	006303-100	SPRING WASHER	6.5-10.5	28
47	174558-904	PLATE		4
48	000002-105	HEX SCREW	M6-1.0X25	4
49	008005-100	HEX NUT	M6-1.0P(10B-H)	7
50	360349-902	CHAIN TENSIONER SHAFT		2
51	130071-000	CHAIN TENSIONER		2
52	290039-901	SHAFT		1
53	174565-902	BRACKET		1
54	000102-319	CAP SCREW	M5-0.8X100	1
55	280050-000	SPRING		1
56	008004-100	HEX NUT	M5-0.8(8B-4H)	1
57	000105-103	CAP SCREW	M10-.5X30	16
58	006307-300	SPRING WASHER	10.2-18.5	16
59	010109-000	RETAINING RING	RTW-62	1
60	030202-002	BALL BEARING	6007	1
61	360355-901	PIN		2
62	174621-902	PLATE		2
63	000106-110	CAP SCREW	M12-1.75X30	2
64	043308-000	RETAINING RING	P34	4
65	032104-001	NAIL BEARING	NA 6905	4
66	130403-000	BUSHING		4
67	010011-000	RETAINING RING	STW-25	1
68	230284-000	FOLDING HANDLE	HL-65	1
69	240092-000	HAND WHEEL		1
70	000702-104	FLAT HEAD HEX. SCREW	M6-1.0X16	1
71	016009-000	CHAIN	#40-58P	1
72	174700-902	SPACER		2
73	380259-000	SPROCKET		1
74	361310-902	HANDWHEEL ASSEMBLY		1
75	012002-011	KEY	4X4X15	1
76	012003-002	KEY	5X5X10	1
77	006001-003	FLAT WASHER	4.3-12X1.0	2

REF NO	PART NUMBER	DESCRIPTION	SPECIFICATION	QTY
78	030104-001	BALL BEARING	6005	3
79	043337-000	O-RING	P22	1
80	043401-000	PLUG	PT1/4"-19	2
81	000203-104	SET SCREW	M6-1.0X12	2
82	380200-901	SCREW		4
83	280090-000	SPRING		4
84	051412-000	COLUMN-R		1
85	381405-902	FIXING PLATE		4
86	000801-101	ROUND HEAD HEX SCREW	M6-1.0X10	8
87	174566-000	CHIP GUIDE		1
88	251317-620	PC BOARD		1
89	008302-100	HEX LOCK NUT	M5-0.8P/(8BX6H)	6
90	361318-902	ROD		2
91	361308-000	OUTFEED ROLLER		1
92	012005-002	KEY	8X7*X	1
93	925089-001	HELICAL CUTTERHEAD ASSY.	SHEAR-TEC	1
	922841-001	INSERT	10PCS/BOX	1
96	361309-000	INFEED ROLLER SHAFT		1
97	250778-615	RUBBER PIN		132
98	130052-903	INFEED ROLLER		22
99	051411-000	COLUMN-L		1
100	021104-000	WIRE FIXING BUCKLE	ACC-5	2
101	030219-002	BALL BEARING	6210	1
102	010118-000	RETAINING RING	RTW-90	1
103	381431-902	CUTTERHEAD PULLEY	60HZ	1
104	006001-043	FLAT WASHER	8.2-30X4.0	1
105	002601-102	CAP LOCKING SCREW	M8-1.25X20	1
106	361313-902	SUPPORT ROD		1
107	270015-901	SPRING PLATE		2
108	000902-102	HEX SCREW W/WASHER	M6-1.0X12	5
109	200102-000	SPONGE		1
110	000203-106	SET SCREW	M6-1.016	2
111	174549-156	CHIP BRACKET		1
112	361316-902	FIXING SHAFT		2
113	010202-000	RETAINING RING	ETW-17	2
114	250160-615	SPACER		61
115	170411-905	ANTI-KICKBACK FINGER		60
116	000303-104	ROUND HEAD PHILLIPS SCREW	M5-0.8X12	10
117	006001-127	FLAT WASHER	5.5-22X2.0	2
118	001603-102	ROUND HEAD PHILLIPS SCREW W/FLAT WASHER	M6-1.0X10/6-13.2X1.0	1
119	174550-902	BRACKET		1

REF NO	PART NUMBER	DESCRIPTION	SPECIFICATION	QTY
120	006001-032	FLAT WASHER	6.6-13X1.0	17
121	008304-100	HEX LOCK NUT	M4-1.0(10R-7H)	1
122	000802-101	ROUND HEAD HEX SCREW	M8-1.25X16	8
123	174553-902	GUIDE PLATE		2
124	051413-000	TABLE		1
125	006305-100	SPRING WASHER	8.2-13.7	3
126	000003-104	HEX SCREW	M8-1.25X20	1
127	002604-103	CAP LOCKING SCREW	M10-1.5X40	4
128	924581-009	EXTENSION ROLLER ASSEMBLY		1
.1	660293-000	ROLLER		2
.2	174701-904	ROLLER BRACKET		2
.3	000004-101	HEX SCREW	M10-1.5X20	4
.4	006307-100	SPRING WASHER	10.2-18.5	4
.5	361346-902	EXTENSION ROLLER ROD		4
.6	010202-000	RETAINING RING	ETW-17	4
.7	230131-000	BOLT		4
.8	000103-103	CAP SCREW	M6-1.0X12	16
.9	130395-903	BUSHING		8
129	012002-006	KEY	4X4X16	1
130	170474-901	IDLER BRACKET		1
131	000103-109	CAP SCREW	M6-1.0X30	1
132	043612-000	OIL SEAL	TC12X22X7	1
133	174552-000	BELT PULLEY COVER		2
134	300116-909	PULLEY		1
135	015201-000	BELT	361-750-15	1
136	000102-103	CAP SCREW	M5-0.8X10	3
137	150008-000	CHAIN SPROCKET		1
139	051410-000	GEARBOX COVER		1
140	030106-001	BALL BEARING	6201	5
141	320401-000	SHAFT GEAR		1
142	340012-615	GEARBOX GASKET		1
143	012004-010	KEY	6X6X15	1
144	320205-000	SHAFT		1
145	320198-000	GEAR		1
146	030109-001	BALL BEARING	6204	1
147	043505-000	OIL SEAL	SC25X47X6	1
148	320402-000	GEAR		1
149	361311-000	SHAFT		1
150	010010-000	RETAINING RING	STW-20	1
151	250463-620	POINTER		1
152	174561-000	POINTER FIXING PLATE		1
153	006001-012	FLAT WASHER	5.3-12X1.0	6

REF NO	PART NUMBER	DESCRIPTION	SPECIFICATION	QTY
154	174763-904	ADJUSTABLE PLATE		2
156	006001-045	FLAT WASHER	9.5-16X1.0	3
158	006704-100	WAVE WASHER	WW-12	2
159	361365-902	GUIDE BLOCK		2
160	361364-902	ROLLER SHAFT		2
161	030007-001	BALL BEARING	6201	2
162	190288-000	TABLE ROLLER		1
163	000303-207	ROUND HEAD PHILLIPS SCREW	M5-0.8X20	4
164	250804-615	MAGNETIC SWITCH COVER		1
*165	950778-000	SWITCH ASSEMBLY	7.5HP/220-240V/1PH/CSA	1
.1	924636-000	SPEED ADJUST ASSEMBLY		1
.1.1	922317-000	SPEED CONTROL ASSEMBLY	AC 120V/60HZ /DC 169V/8A	1
.1.2	950852-000	SPEED ADJUST KNOB ASSEMBLY	50 KQ /2720MM	1
.2	950837-000	MAGNETIC SWITCH ASSEMBLY	7.5HP/220V- 240V/1PH/CSA	1
.7	491172-000	TRANSFORMER	SP-CL-20660 IN:0/220(3A) OUT:0/110(6A) 50/60HZ	1
*165	950779-000	SWITCH ASSEMBLY	10HP/220-240V/3PH/CSA	1
.1	924636-000	SPEED ADJUST ASSEMBLY		1
.1.1	922317-000	SPEED CONTROL ASSEMBLY	AC 120V/60HZ /DC 169V/8A	1
.1.2	950852-000	SPEED ADJUST KNOB ASSEMBLY	50 KQ /2720MM	1
.2	950838-000	MAGNETIC SWITCH ASSEMBLY	10HP/220V-240V/3PH CSA	1
.7	491172-000	TRANSFORMER	SP-CL-20660 IN:0/220(3A) OUT:0/110(6A) 50/60HZ	1
167	000801-108	ROUND HEAD HEX SCREW	M6-1.0X8	14
168	174562-000	BASE REAR COVER		1
169	920135-000	TENSION WHEEL ASSEMBLY		1
.1	170759-902	BRACKET		1
.2	250072-615	CHAIN SPROCKET		1
.3	360247-901	CHAIN TENSIONER SHAFT		1
170	910122-000	FEED MOTOR	3/4HP/DC90V/2500RPM/8A	1
	430043-000	CARBON HOLDER		2
	430044-000	CARBON BRUSH	120V	2
	430045-000	CARBON HOLDER CAP		2
171	003303-102	ROUND HEAD PHILLIPS SCREW	3/16-24X1/4"	1
172	174560-000	SIDE COVER - R		1
173	490124-000	TERMINAL COVER		1
176	006502-100	INT. TOOTH WASHER	5.3-10(BW-5)	2
177	491116-000	CONNECT BOX		1
178	021323-000	STRAIN RELIEF	MGB25-16B	1
180	300122-000	SPEED ADJUST PULLEY		1

REF NO	PART NUMBER	DESCRIPTION	SPECIFICATION	QTY
182	000103-107	CAP SCREW	M6-1.0X20	16
183	000104-104	CAP SCREW	M8-1.25X16	3
183	000104-104	CAP SCREW	M8-1.25X16	8
184	290040-901	IDLER SHAFT		1
185	150001-000	IDLER		1
186	170413-901	CHAIN TENSIONER BRACKET		1
187	006001-068	FLAT WASHER	10X20X2.0	1
188	008007-100	HEX NUT	M10-1.5(17B-8H)	5
189	230403-000	FEET		4
190	008009-100	HEX NUT	M12-1.75(19B*10H)	4
192	016227-000	CHAIN	Z410-158P	1
193	130094-903	LOCK NUT		4
194	170746-901	TEETH WASHER		4
195	320403-000	BEVEL GEAR		1
196	360413-901	FIXING PIN		4
197	174563-000	BASE CASTING		1
198	008006-800	HEX NUT	M8-1.25(13B-6.5H)	1
199	000003-106	HEX SCREW	M8-1.25X30(13B-5.5H)	1
200	010014-000	RETAINING RING	STW-35	1
201	150016-000	LIFTING SPROCKET		4
202	920133-001	THRUST BEARING		8
203	381404-902	BEARING HOUSING - TOP		4
204	660290-000	PACKING		4
205	051416-902	LEAD SCREW SEAT		3
206	051415-902	MAIN LEAD SCREW SEAT		1
207	012002-005	KEY	4X4X12	1
208	012001-003	KEY	3X3X10	4
209	660289-000	PACKING		4
210	175016-902	#N/A		4
211	000805-705	ROUND HEAD HEX SCREW	M4-0.7X8	8
212	361314-902	LIFTING LEAD SCREW		4
213	006003-080	FLAT WASHER	10.5-23X0	8
*214	901161-001	MOTOR ASSEMBLY	7.5HP/220- 240V/60HZ/1PH/2P	1
.1	901162-001	MOTOR	7.5HP/220- 240V/60HZ/1PH/2P	1
.2	381426-902	MOTOR PULLEY		1
.4	006001-043	FLAT WASHER	8.2(+0.2/-0)-30X4.0	1
.5	002601-102	CAP LOCKING SCREW	M8-1.25X20	1
.6	021323-000	STRAIN RELIEF	M6B25-16B	1
*214	901163-000	MOTOR ASSEMBLY	10HP/220 240V/60HZ/3PH/2P	1

REF NO	PART NUMBER	DESCRIPTION	SPECIFICATION	QTY
.1	901164-000	MOTOR	10HP/220- 240V/60HZ/3PH/2P	1
.2	381426-902	MOTOR PULLEY		1
.4	006001-043	FLAT WASHER	8.2[+0.2/-0]-30X4.0	1
.5	002601-102	CAP LOCKING SCREW	M8-1.25X20	1
.6	021323-000	STRAIN RELIEF	MGB25-16B	1
215	014366-000	POLY-V-BELT	610J-12	1
216	174559-000	SIDE COVER - L		1
217	360579-902	SUPPORT PIN		1
218	280089-901	SPRING		1
219	010209-100	RETAINING RING	ETW-15	4
221	000204-102	SET SCREW	M8-1.25X10	3
222	050321-008	MOTOR PLATE		1
223	361319-902	SUPPORT ROD		2
224	006001-091	FLAT WASHER	13-28X3.0	4
225	000004-112	HEX SCREW	M10-1.5X45	4
226	380249-901	ADJUSTABLE ROD		2
227	174564-000	BASE TOP COVER		1
228	174878-000	BASE FRONT COVER		1
229	000202-101	SET SCREW	M5-0.8X5	5
230	320207-000	BEVEL GEAR		1
232	381403-902	SPACER		1
233	381402-902	BEARING HOUSING		1
234	361312-902	LIFTING SHAFT		1
235	012003-004	KEY	5X5X15	1
236	230297-615	CORD FIXED CHAIN		13
237	040003-000	HEX WRENCH	3/63MM	1
247	381455-902	SPACER		2
248	012003-003	KEY	5X5X12	2
249	000202-102	SET SCREW	M5-0.8X8	1
250	000103-105	CAP SCREW	M6-1.0X15	7
251	174973-904	MOTOR PLATE		1
252	381456-902	SPACER		1
253	174972-000	BELT PULLEY COVER		2
254	021803-000	BUCKLE	NB-1925	1
255	250573-615	BUSHING		4
256	490336-000	TERMINAL BLOCKS		1
257	000303-110	ROUND HEAD PHILLIPS SCREW	M5-0.8X30	4
258	001902-101	SET LOCK SCREW	M6-1.0X10	2
259	008006-100	HEX NUT	M8-1.25(13B-6.5H)	2
260	000003-105	HEX SCREW	M8-1.25X25	2
261	175019-000	PACKING		4

REF NO	PART NUMBER	DESCRIPTION	SPECIFICATION	QTY
262	310575-909	BEVEL GEAR BASE		1
263	010507-000	RETAINING RING	ISTW-25	4
264	174568-156	HOOK		4
266	070071-902	SPROCKET		1
267	001903-101	SET LOCK SCREW	M8-1.25X25	2

Dealer Machinery Warranty

New woodworking machines sold by Laguna Tools carry a two-year warranty effective from the date of dealer invoice to consumer. Machines sold through dealers must be registered with Laguna Tools within 30 days of purchase to be covered by this warranty. Laguna Tools guarantees all new machine sold to be free of manufacturers' defective workmanship, parts, and materials. We will repair or replace, without charge, any parts determined by Laguna Tools, Inc. to be a manufacturer's defect. We require that the defective item/part be returned to Laguna Tools with the complaint. An RMA (return merchandise authorization) must be requested, from Laguna Tools, and included with all parts or machines returned to Laguna Tools for warranty consideration. Any machines returned to Laguna Tools must be returned with packaging in the same way it was received. If a part or blade is being returned it must have adequate packaging to ensure no damage is received during shipping. In the event the item/part is determined to be damaged due to lack of maintenance, cleaning or misuse/abuse, the customer will be responsible for the cost to replace the item/part, plus all related shipping charges. This limited warranty does not apply to natural disasters, acts of terrorism, normal wear and tear, product failure due to lack of maintenance or cleaning, damage caused by accident, neglect, lack of or inadequate dust collection, misuse/abuse or damage caused where repair or alterations have been made or attempted by others.

This manual applies to the PX-16 Planer.

Enter the model number and serial number below for quick reference when ordering accessories, supplies or parts.

NOTE: The model and serial number plate can be found on the side of the planer.

Model: _____

Serial: _____

Laguna Tools

744 Refuge Way, Suite 200

Grand Prairie, TX 75050 Toll Free #: 1-800-234-1976 www.lagunatools.com

Warranty

This machine is covered by a warranty and the purchasing dealer can answer any questions you may have. Additionally, you can contact Laguna: +1 (949) 474-1200 customerservice@lagunatools.com.

Every product sold is warranted to be free of manufacturers' defective workmanship, parts, and materials. For any questions about this product, the intended use or what it was designed for, customer service, or replacement parts – please reach out to our customer service department.

REGISTRATION

TO PREVENT VOIDING THIS WARRANTY, ALL PRODUCTS SOLD MUST BE REGISTERED WITHIN THIRTY (30) DAYS OF RECEIVING. REGISTERING THE PRODUCT WILL ENABLE THE ORIGINAL PURCHASER TO RECEIVE NOTIFICATIONS ABOUT IMPORTANT PRODUCT CHANGES AND RECEIVE CUSTOMER SUPPORT.

[HTTPS://LAGUNATOOLS.COM/POLICIES/WARRANTY/](https://lagunatools.com/policies/warranty/)

WHAT IS COVERED?

ANY PART, DETERMINED BY LAGUNA TOOLS®, TO HAVE A DEFECT WILL BE REPAIRED OR REPLACED (AND SHIPPED), WITHOUT CHARGE. IT IS REQUIRED THAT THE DEFECTIVE ITEM/PART BE RETURNED TO LAGUNA TOOLS® WITH THE COMPLAINT AND PROOF OF PURCHASE IN THE ORIGINAL PACKAGING THAT IT WAS RECEIVED. IN THE EVENT THE ITEM/PART IS DETERMINED TO BE VOID OF THIS WARRANTY, THE CUSTOMER WILL BE RESPONSIBLE FOR THE COST TO REPLACE THE ITEM/PART AND ALL RELATED SHIPPING CHARGES.

WHO IS COVERED?

THE APPLICABLE WARRANTY COVERS ONLY THE INITIAL PURCHASER OF THE PRODUCT FROM THE RECEIPT DATE. THE ORIGINAL PURCHASER MUST PRESENT THE ORIGINAL RECEIPT AS PROOF OF PURCHASE.

SHIPPING DAMAGE

LAGUNA TOOLS® AND THE PURCHASING CUSTOMER IS NOT RESPONSIBLE FOR DAMAGE OR LOSS CAUSED BY A FREIGHT COMPANY OR OTHER CIRCUMSTANCES NOT IN THE DIRECT CONTROL OF LAGUNA TOOLS®. ALL SHIPPING RELATED CLAIMS FOR LOSS OR DAMAGED GOODS MUST BE MADE TO LAGUNA TOOLS WITHIN TWENTY-FOUR HOURS OF DELIVERY.

WARRANTY LIMITATIONS

THIS LIMITED WARRANTY DOES NOT APPLY TO NATURAL DISASTERS, ACTS OF TERRORISM, NORMAL WEAR AND TEAR, PRODUCT FAILURE DUE TO LACK OF MAINTENANCE OR CLEANING, DAMAGE CAUSED BY ACCIDENT, NEGLIGENCE, OR LACK-OF/INADEQUATE DUST COLLECTION. THE WARRANTY MAY BE VOIDED AGAINST PROOF OF MISUSE/ABUSE, DAMAGE CAUSED WHERE REPAIR OR ALTERATIONS HAVE BEEN MADE OR ATTEMPTED BY OTHERS, USING THE PRODUCT FOR PURPOSES OTHER THAN THOSE DESCRIBED AS INTENDED USE (UNLESS WITH CONSENT BY LAGUNA TOOLS®), MODIFICATION TO THE PRODUCT, OR USE WITH AN ACCESSORY THAT WAS NOT DESIGNED FOR THE PRODUCT. IT IS THE RESPONSIBILITY OF THE USER TO UNDERSTAND BASIC WOODWORKING MACHINERY SETTINGS AND PROCEDURES AND TO PROPERLY MAINTAIN THE EQUIPMENT IN ACCORDANCE WITH THE STANDARDS PROVIDED IN THIS MANUAL.

LENGTH OF WARRANTY

ASIDE FROM BEING FREE OF DEFECTS UPON RECEIVING, CONSUMABLE PARTS, LIKE CUTTERS AND ABRASIVES, ARE NOT COVERED BY THIS WARRANTY UNLESS OTHERWISE STATED BY LAGUNA TOOLS®. THESE PARTS ARE DESIGNED TO BE USED AT THE EXPENSE OF THE OPERATOR AND ARE AVAILABLE FOR REPLACEMENT OR INVENTORY PURCHASE.

2 YEAR – NEW PURCHASES THROUGH AUTHORIZED DEALERS.

1 YEAR – NEW PURCHASES DIRECTLY FROM LAGUNA TOOLS.

1 YEAR – BLADES AND ACCESSORIES

Customer Service Contact Information

Information and Customer Service Phones

For immediate service on any Laguna Tools products:

+1 (800) 234-1976

customerservice@lagunatools.com

Laguna Tools, Inc. LAGUNA® and the LAGUNA Logo® are the registered trademarks of Laguna Tools, Inc.
All rights reserved. 12/01/2021

LAGUNA AMERICAN HEADQUARTERS

Texas: 744 Refuge Way Suite 200, Grand Prairie, Texas 75050, U.S.A.

Phone: +1-800-332-4094

Huntington Beach: 7291 Heil Ave. Huntington Beach, CA 92647,

U.S.A. Phone: +1-949-474-1200, South Carolina: 825 Bistline Dr. Suite 101, West Columbia, SC 29172,

U.S.A. Phone: +1-800-234-1976, Minnesota: 5250 West 74th St., Edina, MN 55439,

U.S.A Phone: +1-949-474-1200 or +1-800-234-1976

lagunatools.com

supermaxtools.com

lagunacleanair.com

lagunalathe.com

LAGUNA EUROPE

Walker Rd., Bardon Hill,

Coalville LE67 1TU, United Kingdom.

Phone: +44-1530-516921

lagunatools.uk

DAKE CORPORATION

724 Robbins Road, Grand Haven, MI 49417,

United States +1-800-937-3253

dakecorp.com

LAGUNA *SuperMax*

LAGUNA AMERICAN HEADQUARTERS

Texas: 744 Refuge Way Suite 200, Grand Prairie, Texas 75050, U.S.A. Phone: +1-800-332-4094

Huntington Beach: 7291 Heil Ave Huntington Beach, CA 92647, U.S.A. Phone: +1-949-474-1200

South Carolina: 825 Bistline Dr. Ste 101, West Columbia, SC 29172, U.S.A. Phone: +1-800-234-1976

Minnesota: 5250 West 74th St, Edina, MN 55439, U.S.A Phone: +1-949-474-1200

LAGUNA EUROPE

Walker Rd, Bardonia Hill, Coalville LE67 1TU, United Kingdom. Phone: +44-1530-516921