

POWERMATIC®

Operating Instructions and Parts Manual 14" Woodworking Band Saw Model PWBS-14CS



Powermatic
427 New Sanford Rd.
LaVergne, TN 37086
Ph.: 800-274-6848
www.powermatic.com

Part No. M-1791216
Revision F1 01/2014
Copyright © 2014 Powermatic

Warranty and Service

Powermatic warrants every product it sells against manufacturers' defects. If one of our tools needs service or repair, please contact Technical Service by calling 1-800-274-6846, 8AM to 5PM CST, Monday through Friday.

Warranty Period

The general warranty lasts for the time period specified in the literature included with your product or on the official Powermatic branded website.

- Powermatic products carry a limited warranty which varies in duration based upon the product. (See chart below)
- Accessories carry a limited warranty of one year from the date of receipt.
- Consumable items are defined as expendable parts or accessories expected to become inoperable within a reasonable amount of use and are covered by a 90 day limited warranty against manufacturer's defects.

Who is Covered

This warranty covers only the initial purchaser of the product from the date of delivery.

What is Covered

This warranty covers any defects in workmanship or materials subject to the limitations stated below. This warranty does not cover failures due directly or indirectly to misuse, abuse, negligence or accidents, normal wear-and-tear, improper repair, alterations or lack of maintenance.

Warranty Limitations

Woodworking products with a Five Year Warranty that are used for commercial or industrial purposes default to a Two Year Warranty. Please contact Technical Service at 1-800-274-6846 for further clarification.

How to Get Technical Support

Please contact Technical Service by calling 1-800-274-6846. **Please note that you will be asked to provide proof of initial purchase when calling.** If a product requires further inspection, the Technical Service representative will explain and assist with any additional action needed. Powermatic has Authorized Service Centers located throughout the United States. For the name of an Authorized Service Center in your area call 1-800-274-6846 or use the Service Center Locator on the Powermatic website.

More Information

Powermatic is constantly adding new products. For complete, up-to-date product information, check with your local distributor or visit the Powermatic website.

How State Law Applies

This warranty gives you specific legal rights, subject to applicable state law.

Limitations on This Warranty

POWERMATIC LIMITS ALL IMPLIED WARRANTIES TO THE PERIOD OF THE LIMITED WARRANTY FOR EACH PRODUCT. EXCEPT AS STATED HEREIN, ANY IMPLIED WARRANTIES OF MERCHANTABILITY AND FITNESS FOR A PARTICULAR PURPOSE ARE EXCLUDED. SOME STATES DO NOT ALLOW LIMITATIONS ON HOW LONG AN IMPLIED WARRANTY LASTS, SO THE ABOVE LIMITATION MAY NOT APPLY TO YOU.

POWERMATIC SHALL IN NO EVENT BE LIABLE FOR DEATH, INJURIES TO PERSONS OR PROPERTY, OR FOR INCIDENTAL, CONTINGENT, SPECIAL, OR CONSEQUENTIAL DAMAGES ARISING FROM THE USE OF OUR PRODUCTS. SOME STATES DO NOT ALLOW THE EXCLUSION OR LIMITATION OF INCIDENTAL OR CONSEQUENTIAL DAMAGES, SO THE ABOVE LIMITATION OR EXCLUSION MAY NOT APPLY TO YOU.

Powermatic sells through distributors only. The specifications listed in Powermatic printed materials and on the official Powermatic website are given as general information and are not binding. Powermatic reserves the right to effect at any time, without prior notice, those alterations to parts, fittings, and accessory equipment which they may deem necessary for any reason whatsoever.

Product Listing with Warranty Period

90 Days – Parts; Consumable items
1 Year – Woodworking Machinery used for industrial or commercial purposes
5 Year – Woodworking Machinery

NOTE: Powermatic is a division of JPW Industries, Inc. References in this document to Powermatic also apply to JPW Industries, Inc., or any of its successors in interest to the Powermatic brand.

Table of Contents

Warranty and Service	2
Table of Contents	3
Warning.....	5
Introduction	6
Features and Specifications.....	7
Grounding Instructions.....	8
115 Volt Operation	8
230 Volt Operation	8
Extension Cords.....	9
Unpacking	10
Contents of the Shipping Container	10
Installation and Assembly	12
Mounting Band Saw to Stand	12
Installing Drive Belt	13
Installing Trunnion Support.....	14
Installing Extension Table	14
Installing Main Table	14
Leveling the Extension Table	15
Installing Rear Rail.....	15
Installing Front Rail and Rip Fence.....	16
Resaw Guide	18
Blower Nozzle.....	18
Work Lamp	18
Installing Quick Tension Lever.....	19
Stand Attachments.....	19
Dust Collection.....	19
Riser Block Accessory.....	19
Adjustments	20
Tilting the Table	20
Adjusting 90° Table Stop.....	20
Table Aligned with Blade.....	21
Installing Blades.....	21
Blade Tension.....	22
Blade Tracking.....	23
Guide Post and Upper Blade Guard	23
Upper Bearing Guides.....	24
Lower Bearing Guides.....	24
Miter Gauge.....	25
On/Off Switch.....	26
Maintenance.....	26
Blade Selection	27
Width	27
Pitch	27
Shape	27
Set.....	28
Material.....	28
Blade Breakage	28
Operation	29
General Procedure.....	29
Ripping	29
Crosscutting.....	29
Resawing.....	30
Blade Lead	30
Troubleshooting – Mechanical and Electrical Problems.....	31
Troubleshooting – Operating Problems.....	32
Optional Accessories	34
Blade Selection Guide	35
For Radius Cutting	35

Replacement Parts	36
Parts List: Body Assembly.....	36
Body Assembly	39
Parts List: Closed Stand Assembly.....	40
Closed Stand Assembly	41
Parts List: Fence and Rail Assembly	42
Fence and Rail Assembly.....	43
Parts List: Table and Trunnion Assembly.....	44
Parts List: Miter Gauge Assembly.....	45
Parts List: Blade Tension Lever.....	46
Electrical Connections for PWBS-14CS	47

Warnings

1. Read and understand this entire owner's manual before attempting assembly or operation.
2. Read and understand the warnings posted on the machine and in this manual. Failure to comply with all of these warnings may cause serious injury.
3. Replace the warning labels if they become obscured or removed.
4. This band saw is designed and intended for use by properly trained and experienced personnel only. If you are not familiar with the proper and safe operation of a band saw, do not use until proper training and knowledge have been obtained.
5. Do not use this band saw for other than its intended use. If used for other purposes, Powermatic disclaims any real or implied warranty and holds itself harmless from any injury that may result from that use.
6. Always wear approved safety glasses/face shields while using this band saw. (Everyday eyeglasses only have impact resistant lenses; they are not safety glasses.)
7. Before operating the band saw, remove tie, rings, watches and other jewelry, and roll sleeves up past the elbows. Remove all loose clothing and confine long hair. Non-slip footwear or anti-skid floor strips are recommended. Do **not** wear gloves.
8. Wear ear protectors (plugs or muffs) during extended periods of operation.
9. Some dust created by power sanding, sawing, grinding, drilling and other construction activities contains chemicals known to cause cancer, birth defects or other reproductive harm. Some examples of these chemicals are:
 - Lead from lead based paint.
 - Crystalline silica from bricks, cement and other masonry products.
 - Arsenic and chromium from chemically treated lumber.Your risk of exposure varies, depending on how often you do this type of work. To reduce your exposure to these chemicals, work in a well-ventilated area and work with approved safety equipment, such as face or dust masks that are specifically designed to filter out microscopic particles.
10. Do not operate this machine while tired or under the influence of drugs, alcohol or any medication.
11. Make certain the switch is in the **OFF** position before connecting the machine to the power supply.
12. Make certain the machine is properly grounded.
13. Make all machine adjustments or maintenance with the machine unplugged from the power source.
14. Remove adjusting keys and wrenches. Form a habit of checking to see that keys and adjusting wrenches are removed from the machine before turning it on.
15. Keep safety guards in place at all times when the machine is in use. If removed for maintenance purposes, use extreme caution and replace the guards immediately.
16. Make sure the band saw is firmly secured to the stand or a work bench before use.
17. Check damaged parts. Before further use of the machine, a guard or other part that is damaged should be carefully checked to determine that it will operate properly and perform its intended function. Check for alignment of moving parts, binding of moving parts, breakage of parts, mounting and any other conditions that may affect its operation. A guard or other part that is damaged should be properly repaired or replaced.
18. Provide for adequate space surrounding work area and non-glare, overhead lighting.
19. Keep the floor around the machine clean and free of scrap material, oil and grease.
20. Keep visitors a safe distance from the work area. **Keep children away.**
21. Make your workshop child proof with padlocks, master switches or by removing starter keys.

Warnings

22. Make your workshop child proof with padlocks, master switches or by removing starter keys.
23. Give your work undivided attention. Looking around, carrying on a conversation and “horse-play” are careless acts that can result in serious injury.
24. Maintain a balanced stance at all times so that you do not fall or lean against the blade or other moving parts. Do not overreach or use excessive force to perform any machine operation.
25. Use the right tool at the correct speed and feed rate. Do not force a tool or attachment to do a job for which it was not designed. The right tool will do the job better and safer.
26. Make relief cuts where possible, when cutting curved stock.
27. When feeding small work pieces into the blade, always use a push stick, fixture, or similar device to keep hands at a safe distance.
28. Use recommended accessories; improper accessories may be hazardous.
29. Do not expose machine to rain or use in wet or damp locations.
30. Maintain tools with care. Keep blades sharp and clean for the best and safest performance. Follow instructions for lubricating machine and changing accessories.
31. Turn off the machine and disconnect from power before cleaning. Use a brush or compressed air to remove chips or debris — do not use your hands.
32. Do not stand on the machine. Serious injury could occur if the machine tips over.
33. Never leave the machine running unattended. Turn the power off and do not leave the machine until it comes to a complete stop.
34. Remove loose items and unnecessary work pieces from the area before starting the machine.

Familiarize yourself with the following safety notices used in this manual:

CAUTION This means that if precautions are not heeded, it may result in minor injury and/or possible machine damage.

WARNING This means that if precautions are not heeded, it may result in serious and possibly fatal injury.

Introduction

This manual is provided by Powermatic covering the safe operation and maintenance procedures for a Powermatic Model PWBS-14CS Band Saw. This manual contains instructions on installation, safety precautions, general operating procedures, maintenance instructions and parts breakdown. This machine has been designed and constructed to provide years of trouble free operation if used in accordance with instructions set forth in this manual. If there are any questions or comments, please contact either your local supplier or Powermatic. Powermatic can also be reached at our web site: www.powermatic.com.

The specifications in this manual were current at the time this manual was published, but because of our policy of continuous improvement, Powermatic reserves the right to change specifications at any time and without prior notice, without incurring obligations.

Features and Specifications

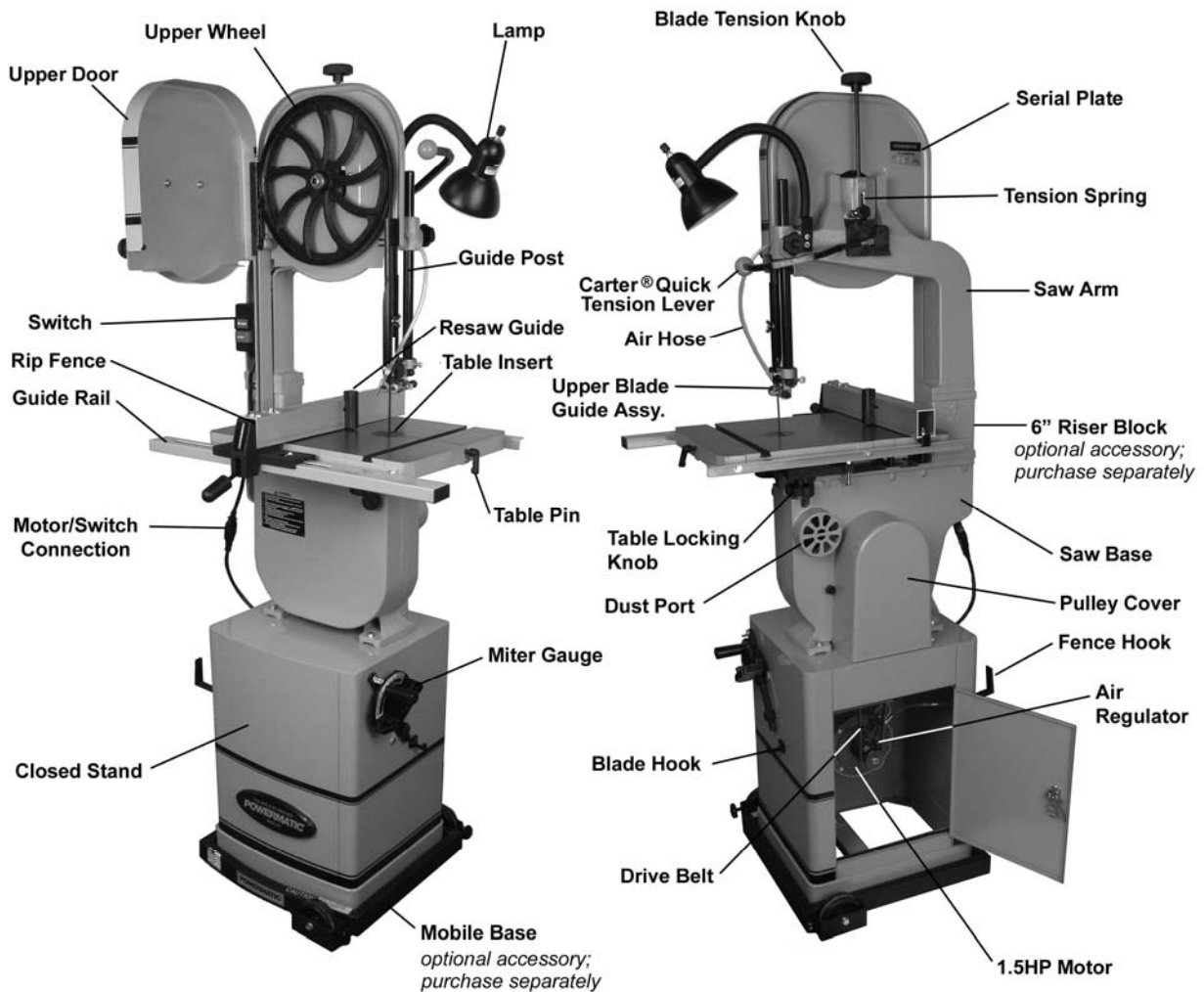


Figure 1

Model Number.....	PWBS-14CS
Stock Number.....	1791216K
Resaw (Height) Capacity (in.)	6
Cutting Width (Throat Capacity)(in.)	13-1/2
Minimum Saw Blade Width (in.)	1/8
Maximum Saw Blade Width (in.)	3/4
Blade Length (in.)	93-1/2
Main Table Size (LxW)(in.)	15 x 15
Extension Table Size (LxW)(in.).....	15 x 5-1/2
Blade Speed (SFPM).....	3000
Table Tilt (deg.)	45 Right, 10 Left
Table Height from Floor (in.)	44
Dust Chute Outside Diameter (in.)	4
Minimum Dust Collection CFM Required.....	350
Motor.....	TEFC, 1.5HP, 1PH, 115/230V (prewired 115V), 11/5.5A, 60Hz
Recommended circuit (*subject to local electrical codes)	30A (115V), 20A (230V)
Overall Dimensions – Body and Stand fully assembled (LxWxH)(in.).....	20 x 34 x 68
Stand Footprint (LxW)(in.).....	16 x 17-1/2
Approximate Weights:	
Body (Net/Shipping)(lbs.).....	166/178
Closed Stand (Net/Shipping)(lbs.)	84/88

Grounding Instructions

⚠WARNING This tool must be grounded while in use to protect the operator from electric shock.

In the event of a malfunction or breakdown, grounding provides a path of least resistance for electric current to reduce the risk of electric shock. This tool is equipped with an electric cord having an equipment-grounding conductor and a grounding plug. The plug must be plugged into a matching outlet that is properly installed and grounded in accordance with all local codes and ordinances.

Do not modify the plug provided. If it will not fit the outlet, have the proper outlet installed by a qualified electrician.

Improper connection of the equipment-grounding conductor can result in a risk of electric shock. The conductor, with insulation having an outer surface that is green with or without yellow stripes, is the equipment-grounding conductor. If repair or replacement of the electric cord or plug is necessary, do not connect the equipment-grounding conductor to a live terminal.

Check with a qualified electrician or service personnel if the grounding instructions are not completely understood, or if in doubt as to whether the tool is properly grounded. Use only three wire extension cords that have three-prong grounding plugs and three-pole receptacles that accept the tool's plug.

Repair or replace a damaged or worn cord immediately.

It is recommended that the PWBS-14CS Band Saw, when operated at **115 volts**, be connected to a grounded and dedicated 30 amp circuit with circuit breaker or time delay fuse. When operated at **230 volts**, connect the saw to a 20 amp dedicated circuit with breaker or time delay fuse. **Local codes take precedence over recommendations.**

115 Volt Operation

As received from the factory, your band saw is wired to run at 115 volt operation. This band saw, when wired for 115 volts, is intended for use on a circuit that has an outlet and a plug that looks like the one illustrated in Figure 2. A temporary adapter, which looks like the adapter illustrated in Figure 3, may be used to connect this plug to a two-pole receptacle, as shown in Figure 3 if a properly grounded outlet is not available. The temporary adapter should only be used until a properly grounded outlet can be installed by a qualified electrician. **This adapter is not applicable in Canada.** The green colored rigid ear, lug, or tab, extending from the adapter, must be connected to a permanent ground such as a properly grounded outlet box, as shown in Figure 3.

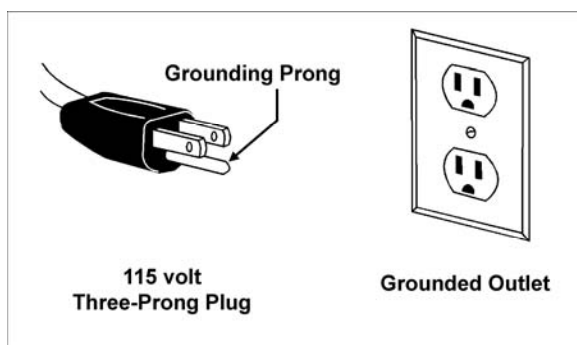


Figure 2

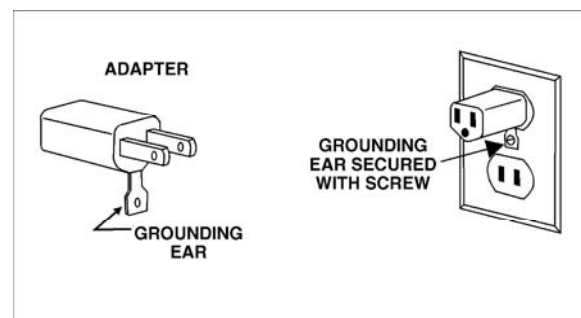


Figure 3

230 Volt Operation

If 230V, single-phase operation is desired, the following instructions must be followed:

Disconnect the machine from the power source.

This band saw is supplied with four motor leads that are connected for 115V operation, as shown in Figure 4. Reconnect these four motor leads for 230V operation, as shown in Figure 5. These diagrams are also found inside the cover of the motor junction box.

The 115V attachment plug (shown in Figure 6) supplied with the band saw, must be replaced with a UL/CSA listed plug suitable for 230V operation (shown in Figure 7). Contact your local authorized Walter Meier (Manufacturing) Inc., service center or qualified electrician for proper procedures to install the plug. The band saw must comply with all local and national codes after the 230 volt plug is installed.

The band saw with a 230 volt plug should only be connected to an outlet having the same configuration (see Figure 7). No adapter is available or should be used with the 230 volt plug.

Important: In all cases (115 or 230 volts), make certain the receptacle in question is properly grounded. If you are not sure, have a registered electrician check the receptacle.

NOTE: The lamp is designed for use with 115V power. If the saw is converted to 230V, discontinue use of the lamp, and use an alternate lamp with an independent electrical source.

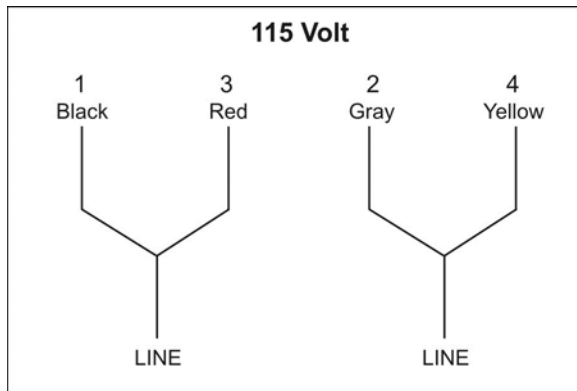


Figure 4

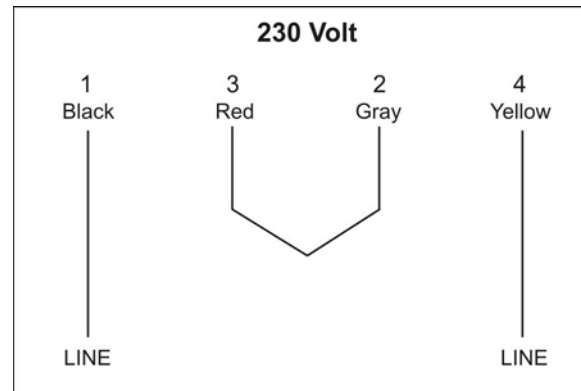


Figure 5

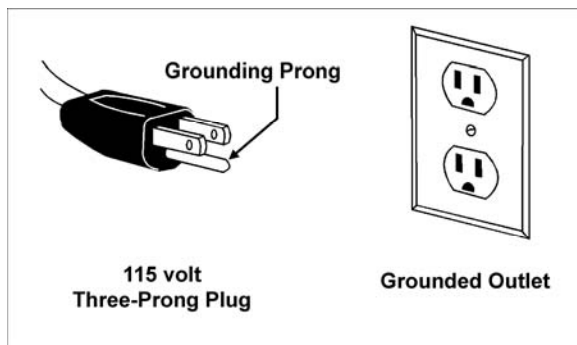


Figure 6

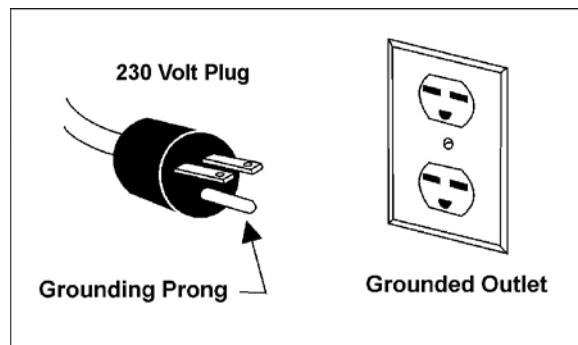


Figure 7

Extension Cords

If an extension cord is necessary, make sure the cord rating is suitable for the amperage listed on the machine's motor plate. An undersized cord will cause a drop in line voltage resulting in loss of power and overheating.

Use the chart in Figure 8 as a general guide in choosing the correct size extension cord for the band saw. If in doubt, use the next heavier gauge. The smaller the gauge number, the heavier the cord.

Recommended Minimum Gauge (AWG) of Extension Cords

Ampere Rating	Volts	Total Length of Cord in Feet			
	115 V	25 ft.	50 ft.	100 ft.	150 ft.
230 V	50 ft.	100 ft.	200 ft.	300 ft.	
		AWG			
< 6		18	16	16	14
6 to 10		18	16	14	12
10 to 12		16	16	14	12
12 to 16		14	12	Not recommended	Not recommended

Figure 8

Unpacking

The band saw is shipped in two cartons. Open both cartons and inspect contents for shipping damage. Report any damage immediately to your distributor and shipping agent. Do not discard any shipping material until the Band Saw is assembled and running properly.

Compare the contents of both cartons and all internal boxes with the following parts list to make sure all parts are intact. (*) Missing parts, if any, should be reported to your distributor. Read this instruction manual thoroughly for assembly, maintenance and safety instructions.

Contents of the Shipping Container

Carton #1 – Band Saw:

Refer to Figure 9.

- 1 Band Saw – (A)
- 1 guide rail – (B)
- 1 rip fence – (C)
- 1 rear rail – (D)
- 1 front rail – (E)
- 1 trunnion support – (F)
- 1 level board – (G)
- 1 miter gauge – (H)
- 1 main table – (J)
- 1 extension table – (K)
- 1 drive belt – (L)
- 1 quick tension lever – (M)
- 1 owner's manual (not shown)
- 1 warranty card (not shown)
- 2 Hardware packages, as follows.

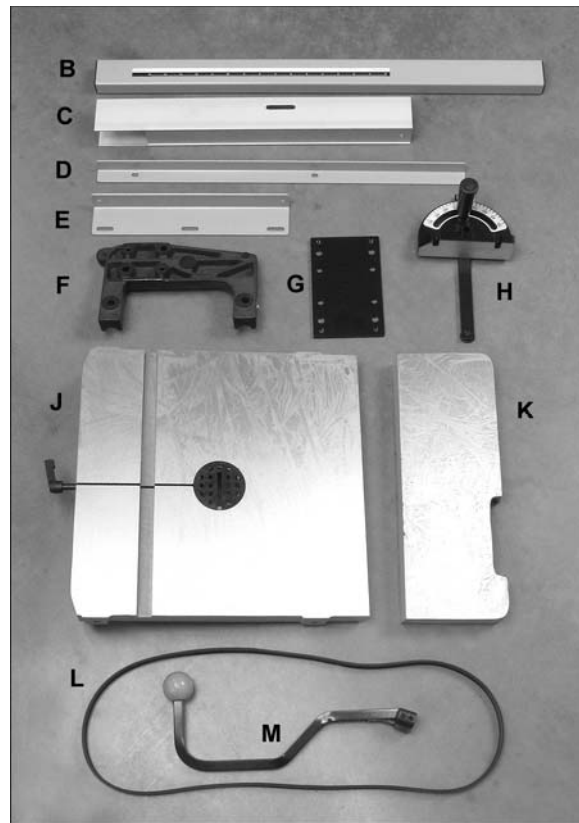
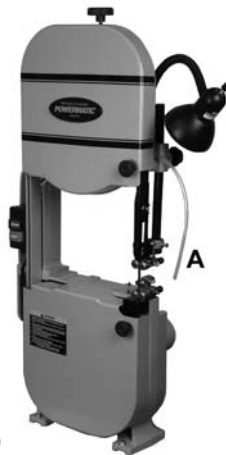


Figure 9
Band Saw carton

Hardware Package #1 contains:

Refer to Figure 10.

- 1 support plate (HP1-A)
- 1 air jet nozzle (HP1-B)
- 1 cord clamp (HP1-C)
- 1 pan head screw, M5x12 (HP1-D)
- 2 table locking knobs (HP1-E)
- 6 lock washers, M8 (HP1-F)
- 8 flat washers, M8 (HP1-G)
- 5 hex nuts, M8 (HP1-H)
- 6 hex cap screws, M8x40 (HP1-J)
- 1 hex cap screw, M8x80 (HP1-K)



Figure 10
Hardware package #1
(stock no. PWBS14-HP1)

Hardware package #2 contains:

Refer to Figure 11.

- 3 hex (Allen) wrenches, 3,4,5mm (HP2-A)
- 4 spacers (HP2-B)
- 4 hex nuts, M8 (HP2-C)
- 4 socket set screws, M8x20 (HP2-D)
- 4 socket head cap screws, M6x25 (HP2-E)
- 4 lock washers, M6 (HP2-F)
- 4 flat washers, M6 (HP2-G)
- 4 socket head cap screws, M8x65 (HP2-H)
- 2 L-spacers (HP2-J)



Figure 11
Hardware package #2
(stock no. PWBS14-HP2)

Carton #2 - Stand:

Refer to Figure 12.

- 1 Stand with motor (N)
- 1 pulley cover (O)
- 1 fence body (P)
- 2 hardware packages, as follows.



Figure 12
Stand carton

Hardware package #3 contains:

Refer to Figure 13.

- 2 fence hooks (HP3-A)
- 2 miter gauge hooks (HP3-B)
- 1 blade hook (HP3-C)
- 2 pulley cover knobs (HP3-D)
- 4 carriage bolts, M8x16 (HP3-E)
- 4 flanged hex nuts, M8 (HP3-F)
- 2 pan head screws, M5x12 (HP3-G)
- 2 pan head screws, M4x10 (HP3-H)



Figure 13
Hardware package #3
(stock no. PWBS14-HP3)

Hardware package #4 contains:

Refer to Figure 14.

- 1 resaw pin (HP4-A)
- 1 resaw pin knob (HP4-B)
- 1 fence rear hook (HP4-C)
- 2 hex nuts, 1/4" (HP4-D)
- 1 flat washer, 1/4" (HP4-E)
- 1 lock washer, 1/4" (HP4-F)
- 1 sliding pad (HP4-G)
- 4 hex cap screws, 5/16"x3/4" (HP4-H)
- 4 lock washers, 5/16" (HP4-J)
- 4 flat washers, 5/16" (HP4-K)
- 7 hex cap screws, M6x20 (HP4-L)
- 7 lock washers, 1/4" (HP4-M)
- 7 flat washers, 1/4" (HP4-N)



Figure 14
Hardware package #4
(stock no. PWBS14-HP)

(*) the identifying letters/numbers in parentheses are used throughout the text to clarify assembly. For actual part numbers if re-ordering, see the part breakdowns at the back of this manual.

Installation and Assembly

Tools required for assembly:

open-end or box wrenches– 10mm, 12mm, 1/2"
[in some cases, a socket wrench set can be used to speed assembly time]
hex (Allen) wrenches – 3, 5, 6mm
Cross point (Phillips) screwdriver
square
straightedge

NOTE: If further clarification is needed for any of the following assembly procedures, consult the exploded views at the back of this manual.

Exposed metal surfaces on the Band Saw, such as the table, have been given a protective coating at the factory. This should be removed with a soft cloth moistened with a light solvent. Do not use gasoline, lacquer thinner, acetone, or other highly volatile solvents for this. Do not use an abrasive pad as it may scratch the polished metal surfaces.

IMPORTANT: The Band Saw must be disconnected from the power source before any assembly procedures!

Mounting Band Saw to Stand

Refer to Figures 15 and 16.

1. Remove loose items from inside of stand.
2. Place stand upright on a level surface. If desired, the stand can be further stabilized by securing it to the floor with lag screws through the inside corner holes. If using a mobile base, lock the casters before assembling or operating the band saw.

WARNING The saw body is heavy – use caution when lifting, and stabilize until firmly attached to the stand. Failure to comply may cause serious injury.

3. With the aid of a second person, lift the Band Saw out of the shipping container and place on top of the stand. Make sure that front of saw (with Powermatic nameplate) faces same direction as curved stand front.
4. Line up holes in the saw base with holes in the top of the stand. Fasten saw base to the stand with four *M8x40 hex cap screws (HP1-J)*, eight *M8 flat washers (HP1-G)*, four *M8 lock washers (HP1-F)*, and four *M8 hex nuts (HP1-H)*. Use a 1/2" wrench to tighten.

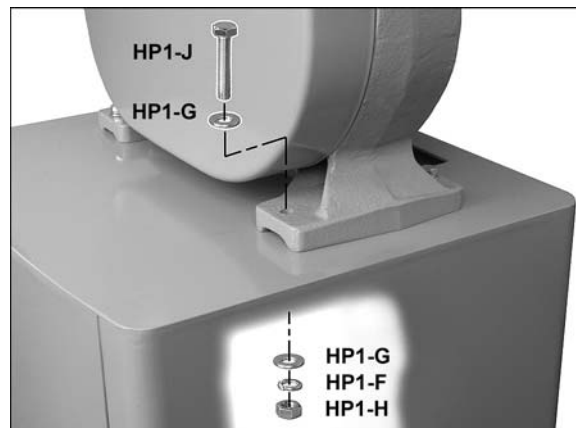


Figure 15

5. Push motor cord and strain relief plate through the opening to the outside of the stand, as shown in Figure 16. Fasten the strain relief plate to the stand with two *M5x12 pan head screws (HP3-G)*.
6. Connect the plugs of the switch cord and motor cord (Figure 16). **Do not connect machine to power source during assembly.**

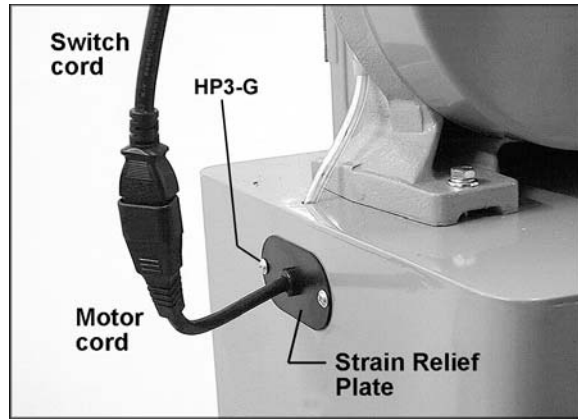


Figure 16

Installing Drive Belt

Refer to Figures 17 through 20.

1. The motor and wheel pulleys have been accurately aligned with each other by the manufacturer. However, the user may wish to verify this setting in case misalignment has occurred during transit. Misaligned pulleys can produce excessive wear on drive belts.
2. If the pulleys do not lie in a straight plane (Figure 17), loosen the set screw on one of the pulleys and shift the pulley in or out until both pulleys lie in a straight plane. Tighten set screw.
3. Open the lower door, and loosen the four hex nuts on the motor plate an equal amount, with a 1/2" wrench (see Figure 18). Lift up on the motor to provide slack for the drive belt installation.
4. Install the belt around the motor pulley and the wheel pulley.
5. Tension the drive belt by pushing down on the motor. You may have to push down harder on the pulley end of the motor to overcome the pressure of the drive belt and keep the motor pulley aligned with the wheel pulley.
6. Tighten the four hex nuts on the motor plate.
NOTE: The belt is properly tensioned when finger pressure between the two pulleys causes approximately 1/2" deflection (Figure 19).
7. Screw the two *pulley cover knobs (HP3-D)* into the threaded holes in the back of the saw, as shown in Figure 20. Slide the pulley cover down over the knobs, and tighten the knobs.

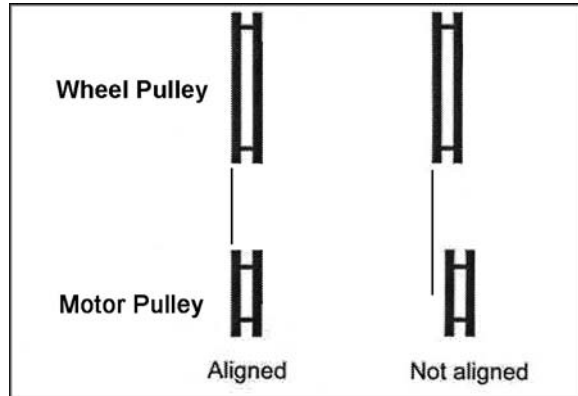


Figure 17

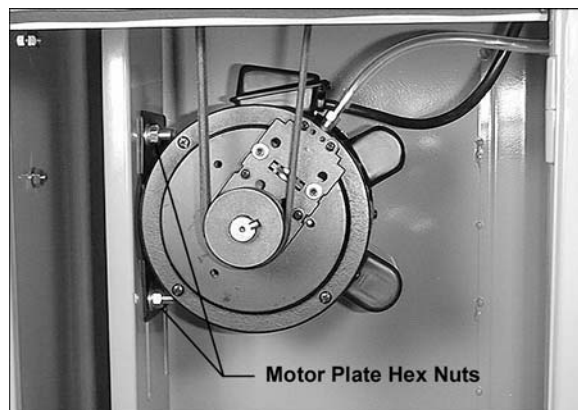


Figure 18

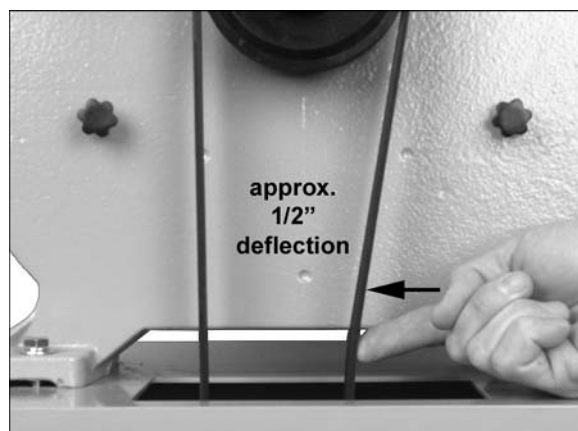


Figure 19

Installing Trunnion Support

Refer to Figure 21.

1. Use the two locating pins attached to the saw body to help position the trunnion support. Attach trunnion support to saw body with two *M8x30 hex cap screws (HP1-J)* and two *M8 lock washers (HP1-F)*. Tighten with a 1/2" wrench.
2. Thread *M8 hex nut (HP1-H)* onto the *M8x80 hex cap screw (HP1-K)* and install into the trunnion support as shown. Finger tighten the hex nut; this will be fully tightened later for the 90° table stop setting.

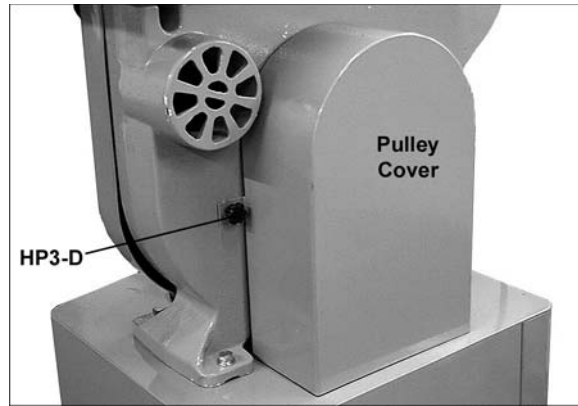


Figure 20

Installing Extension Table

Refer to Figure 22.

1. Install a *M8 hex nut (HP2-C)* on each of the four *M8x20 set screws (HP2-D)*, then install these set screws into the four outer holes of the *level board (G)*, as shown.
2. Leave the set screws flush with the top side of the level board for now. These will be adjusted later during leveling.
3. Place four *spacers (HP2-B)* over the holes in the saw body, and place the level board on them, as shown. Align the four innermost holes of the level board with the spacers, and insert four *M8x65 socket head cap screws (HP2-H)*. Firmly tighten these screws down into the base through the spacers, using a 6mm hex wrench.
4. Position the *extension table (K)* over the level board. Insert four *M6x25 socket head cap screws (HP2-E)* with four *M6 lock washers (HP2-F)* and four *M6 flat washers (HP2-G)* up through the remaining holes of the plate and into the underside of extension table. *Hand tighten only at this time.*

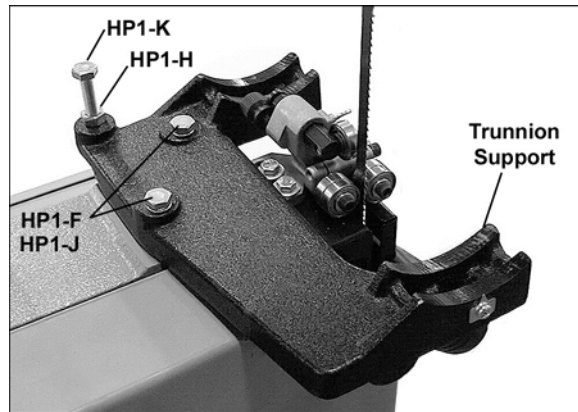


Figure 21

Installing Main Table

Refer to Figure 23.

1. To mount the main table, remove table pin by pulling it straight out, twisting it if needed. Remove the table insert by pushing it up from beneath the table.
2. Rotate the table so that the saw blade will slide through the slot in the table. Then orient the table so the screws will slide into the holes on the trunnion support, as shown in Figure 23. Attach the two *table locking knobs (HP1-E)* to these screws and tighten.
3. Re-install table pin and table insert.

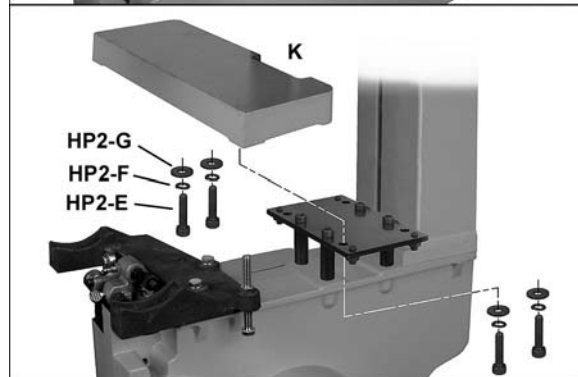
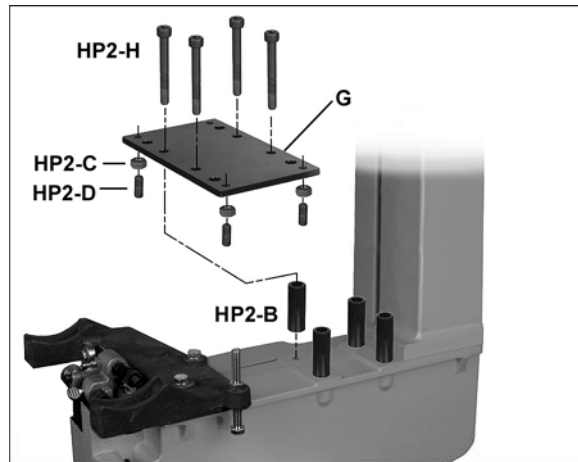


Figure 22

Leveling the Extension Table

NOTE: Before leveling the extension table, the 90-degree stop of the main table should be verified. Read "Adjusting 90° Table Stop" on page 20, then return to this page.

Refer to Figures 22 and 24.

1. Position the main table at 90-degrees and tighten the table locking knobs.
2. Place a straight edge (Figure 24) across both tables, at several points along the tables. If the extension table is not level with the main table, use the level board beneath to achieve this, as follows.
3. With the four *M6x25 socket head cap screws* (HP2-E, Figure 22) still slightly loose, loosen the *hex nuts* (HP2-C) and turn any of the four *set screws* (HP2-D) with a 4mm hex wrench, to raise or lower that part of the extension table.
4. When the extension table is level with the main table, use a 1/2" wrench to tighten the *hex nuts* (HP2-C) up against the level board, to secure the setting of the set screws.
5. Adjust the gap between the extension table and the main table. This gap can be easily set by using the provided *L-spacers* (HP2-J) (Figure 24). Place the L-spacers between the tables as shown, and nudge the extension table toward the main table as far as it will go.
6. Snug the *socket head cap screws* (HP2-E) with a 5mm hex wrench, and remove the L-spacers.
7. Tilt the main table to ensure that it does not rub against the edge of the extension table.
8. Securely tighten the four *socket head cap screws* (HP2-E), making sure the extension table doesn't shift during tightening.

Installing Rear Rail

Refer to Figure 25.

1. Disconnect machine from power source.
2. Install *rear rail* (D) to the main table using two *M6x20 hex cap screws* (HP4-L), two *1/4" lock washers* (HP4-M) and two *1/4" flat washers* (HP4-N). Finger tighten only.
3. The rear rail should lie parallel to the table top. Place a combination square on the main table at one end of the rear rail to get a measurement showing table-to-rail distance, as shown. Check the other end of the fence; the measurement should be the same.

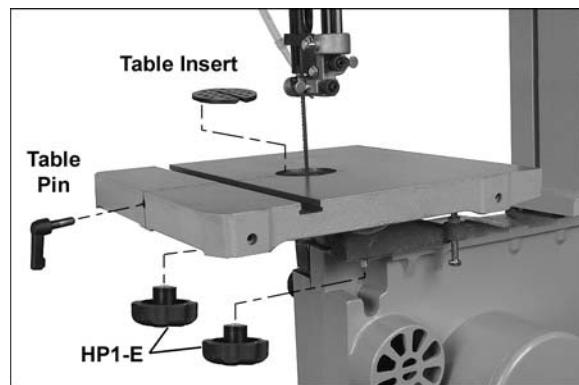


Figure 23

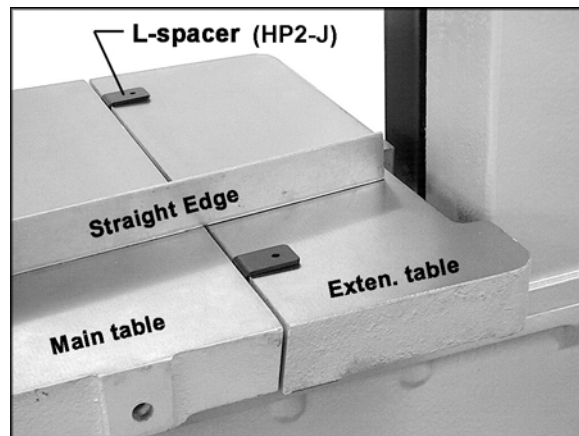


Figure 24

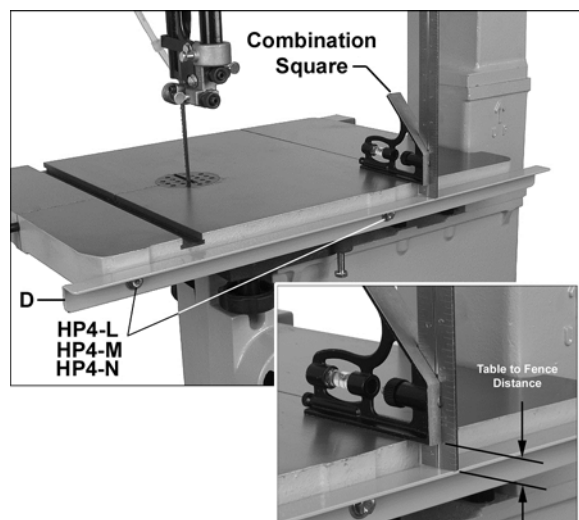


Figure 25

4. Shift either end of the fence as needed to gain identical distance from table top.
5. Tighten both screws in the rear rail using a 10mm wrench.

Installing Front Rail and Rip Fence

Refer to Figures 26 through 29.

1. Install *front rail* (E, Figure 26) to the main table using two *M6x20 hex cap screws* (HP4-L), two *1/4" lock washers* (HP4-M) and two *1/4" flat washers* (HP4-N). Finger tighten only at this time.
2. Install *guide rail* (B, Figure 27) to the slots in the front rail using three *M6x20 hex cap screws* (HP4-L), three *1/4" lock washers* (HP4-M) and three *1/4" flat washers* (HP4-N). Tighten with a 10mm wrench.
3. Attach the *fence* (C, Figure 28) to the *fence body* (P) with four *5/16"x3/4" hex cap screws* (HP4-H), four *5/16" lock washers* (HP4-J) and four *5/16" flat washers* (HP4-K). Tighten the screws with a 12mm wrench.
4. At the rear of the fence, thread a *1/4" hex nut* (HP4-D, Figure 29) onto the *sliding pad* (HP4-G) and insert the sliding pad through the fence and *rear hook* (HP4-C). Secure in place using a *1/4" flat washer* (HP4-E), *1/4" lock washer* (HP4-F) and a *1/4" hex nut* (HP4-D). The rear hook should be adjusted so that it overlaps the rear rail by approximately 1/8".
5. Hook the fence assembly over the rear rail, and onto the guide rail, as shown in Figure 28.
6. When the fence assembly is placed on the table, the *rear hook* (HP4-C) should be almost contacting the underside of the rear rail, as shown. The sliding pad will ride along the top of the rear rail.

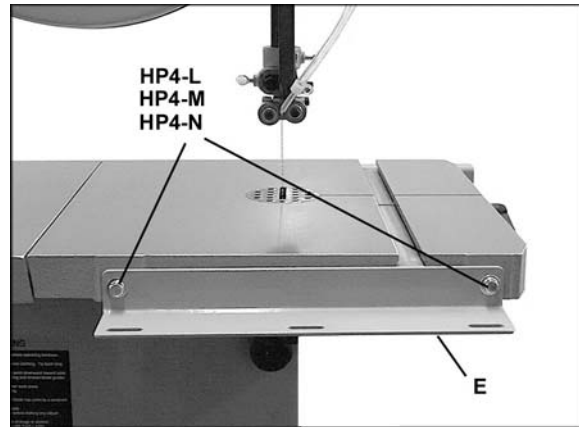


Figure 26

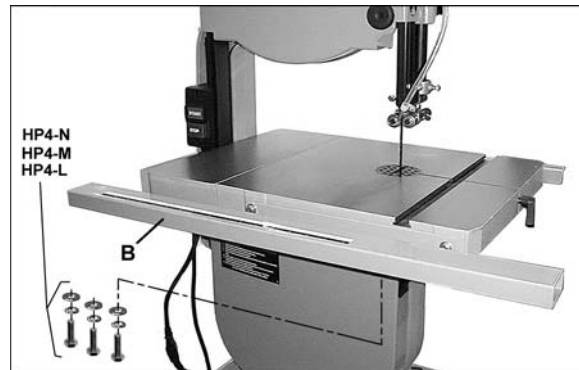


Figure 27

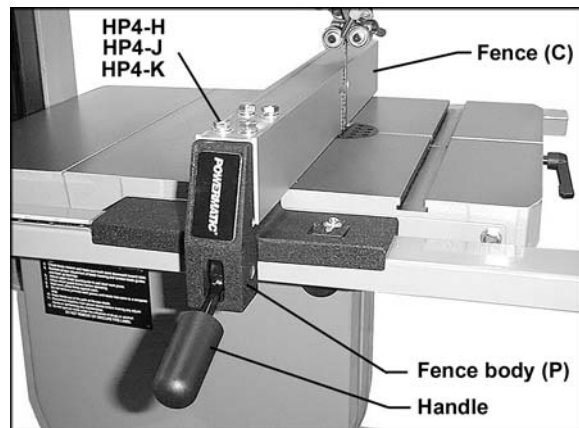


Figure 28

Setting Fence-to-Table Gap

The gap between the bottom of the rip fence and the table top should be high enough that the fence will not scrape along the table, yet low enough that thin workpieces won't slip beneath it. The gap should be equal along the length of the fence. Adjust as follows:

Refer to Figures 29 and 30.

1. Lock the fence assembly to the front rail by pushing the fence handle down. The front rail screws should still have "play" in them.
2. Lift up on both guide rail and fence together until the fence/table gap at the front edge of the table is acceptable.

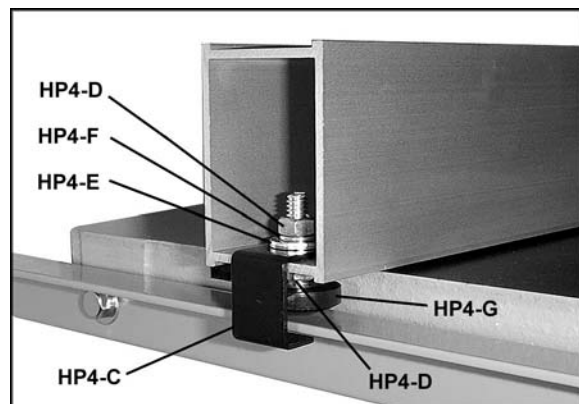


Figure 29

3. Tighten both screws on the front rail (HP4-L, Figure 26) with a 10mm wrench.
4. Adjust the height of the sliding pad at the rear of the fence (Figure 29) if further adjustment is needed to even the gap along the length of the fence.

Aligning Fence to Blade

Refer to Figure 31.

1. Place the table at 90-degrees. (Make sure the 90° Table Stop setting has been verified – see page 20.)
2. Lock the fence to the guide rail with the handle.
3. Place a square on the table and against the fence, as shown in Figure 31.
4. If the fence is not square to the table, slightly loosen the two screws in the front rail (see Figure 26) and raise or lower one end of the front rail assembly until fence is square to table.
5. Re-tighten screws. The fence face is now square to the table, and thus parallel to the blade.

The fence must also be set so that it aligns with the blade front-to-back, as follows:

6. Move the fence so that it just contacts the blade without bending it, and lock the fence to the guide rail.
7. Check that the fence is aligned with the blade; that is, it contacts front and back of blade evenly. If the fence does not align with the blade, loosen the four *hex cap screws* (HP4-H).
8. Align the fence with the blade, then tighten the four hex cap screws.

Checking zero setting

Refer to Figure 31.

1. With the fence now aligned with the blade, and still contacting the blade as shown in Figure 31, check to see that the *pointer* is aligned with zero on the guide rail scale.
2. If *minor adjustment* is necessary, loosen the screw that holds the pointer in place, and adjust the pointer. Re-tighten the screw.
3. If *major adjustment* is necessary, loosen the guide rail screws (HP4-L, Figure 27), and slide the entire fence/guide rail together until the fence just contacts the blade. Re-tighten guide rail screws, and make further minor adjustment with the pointer.

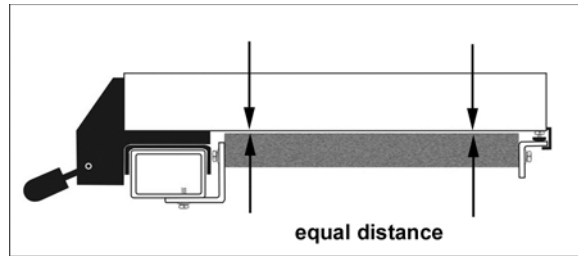


Figure 30

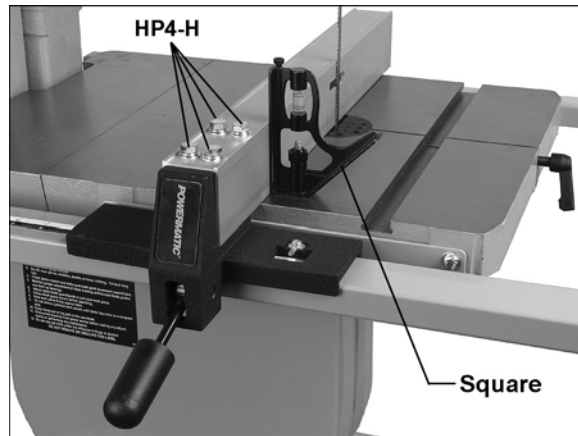


Figure 31

NOTE: The pointer's zero position should be tested later by cutting a straight piece of stock, carefully measuring its width, and comparing it to the scale reading.

Resaw Guide

Refer to Figure 32.

For resawing operations, attach the *resaw guide* (HP4-A) to the fence using the *knob* (HP4-B) through the slotted hole. Position the resaw guide so that it is centered approximately with the front edge of the saw blade.

The resaw guide offers a taller, single-point contact surface that allows pivoting of the workpiece in order to keep the blade on the cutting line.

Blower Nozzle

Refer to Figures 33 and 34.

1. The *air hose*, which is already connected to the saw body, should be inserted through the hole in the stand (visible in Figure 16) and connected to the *nozzle* of the air regulator on the motor (Figure 33). Use a lighter or match to briefly heat the end of the hose so that it will slip over the nozzle. As it cools, it will form a tight seal over the nozzle.
2. Attach the *plate* (HP1-A) to the blade guide assembly.
3. Connect the top end of the air hose to the *plate* (HP1-A) with the *M5x12 pan head screw* (HP1-D) through the *cord clamp* (HP1-C). Heat the end of the hose with a lighter or match, then push the wide end of the nozzle (HP1-B) into the hose; the tapered end points down toward the table as shown.

Work Lamp

Refer to Figure 35.

The goose-neck lamp uses a medium base light bulb (not provided) which should be 60 watts or less. The work lamp is operated independently of the main saw switch.

IMPORTANT: If you are using 115 volt power for the band saw, use a standard 110 volt light bulb. If you are using 230 volt power for the band saw, *discontinue use* of the provided lamp, and use an alternate lamp with an independent power cord.

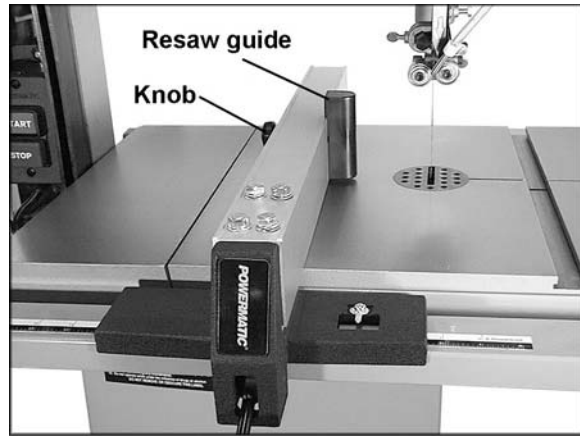


Figure 32

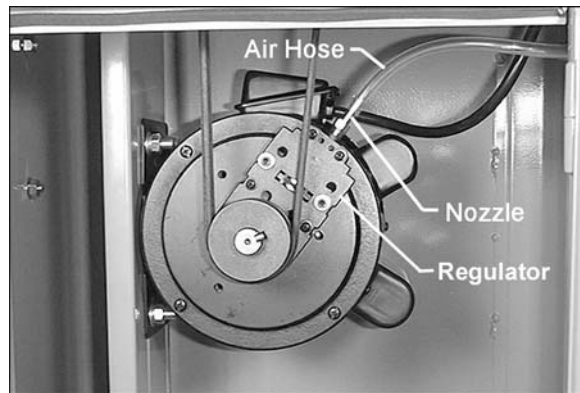


Figure 33

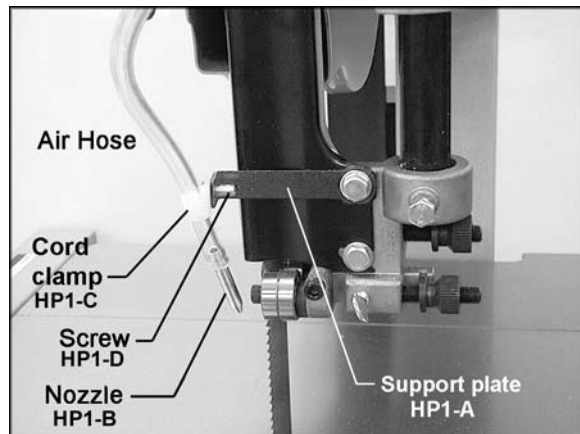


Figure 34

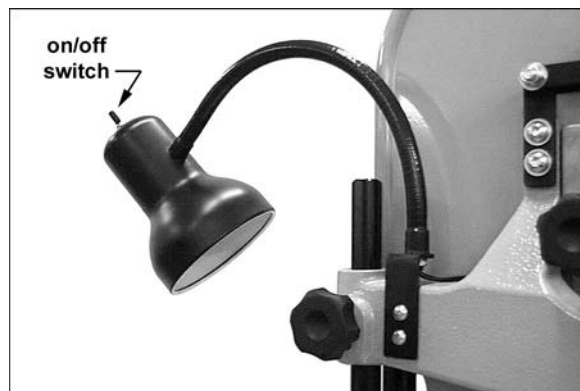


Figure 35

Installing Quick Tension Lever

Refer to Figure 36.

Install the *quick tension lever (M)* onto the shaft as shown, and tighten the two set screws using a 3mm hex wrench. The movement of the blade tension lever is explained under “Installing Blades”.

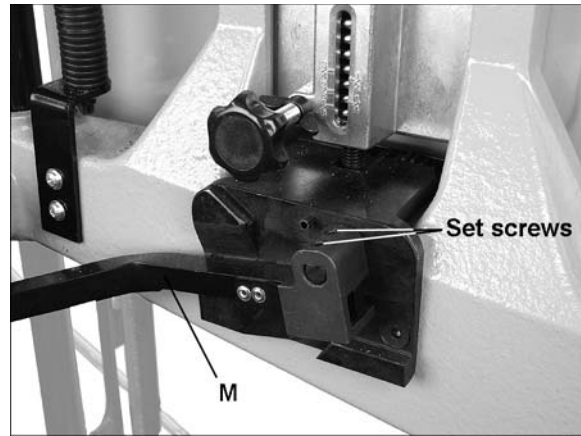


Figure 36

Stand Attachments

Refer to Figure 37.

1. Mount the two *miter gauge hooks (HP3-B)* to the side of the stand with two *M8x16 carriage bolts (HP3-E)* and two *M8 flanged hex nuts (HP3-F)*. Position the hooks at an angle, similar to that shown in Figure 38. The miter gauge can be stored in these hooks.
2. Mount the *blade hook (HP3-C)* with two *M4x10 pan head screws (HP3-H)* as shown. The blade hook can store a rolled-up spare blade.
3. Mount the two *fence hooks (HP3-A)* to the opposite side of the stand with two *M8x16 carriage bolts (HP3-E)* and two *M8 flanged hex nuts (HP3-F)*. The rip fence can be stored in these hooks when not in use.

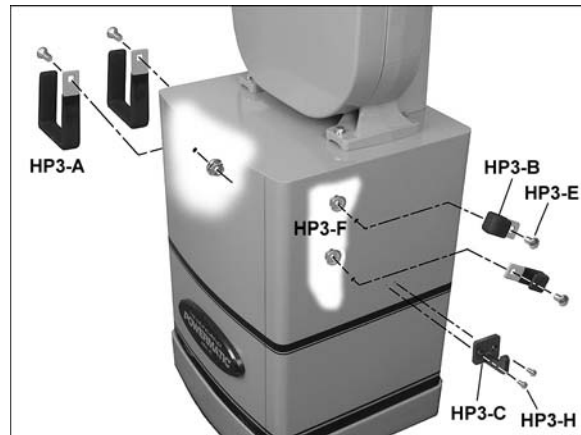


Figure 37

Dust Collection

Refer to Figure 38.

The use of a dust collection system (not provided) is strongly advised when using the band saw. It will help keep your shop clean, and reduce the risk of health problems due to wood dust inhalation. The dust collector should have sufficient capacity for this size band saw (minimum 350 cubic feet per minute).

Connect a 4" diameter dust collection hose (not provided) to the port at the back of the band saw, and secure tightly with a hose clamp, as shown.



Figure 38

Note: Dryer vent hose is not suitable for dust collection purposes.

Riser Block Accessory

A Riser Block kit (stock no. 1791217, not provided) is available as an accessory. When installed, it increases resaw capacity (workpiece height capacity) to 12 inches. If you have purchased the Riser Block, consult the instruction sheet that accompanies it.

Adjustments

Tilting the Table

⚠WARNING Unplug the machine from the power source before making any repair or adjustment.

Refer to Figure 39.

1. Loosen the table locking knobs.
2. Tilt table up to 45 degrees to the right. The angle is indicated on the trunnion scale.
3. Tighten the table locking knobs.
4. You can place a measuring device on the table and against the blade to verify the 45° setting.

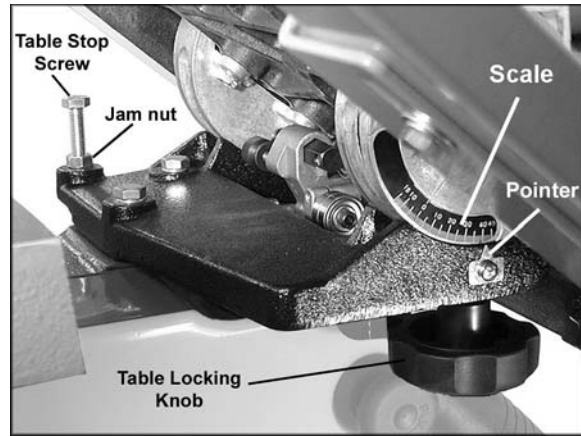


Figure 39

Adjusting 90° Table Stop

Refer to Figures 39 and 40.

1. Disconnect machine from power source.
2. Loosen table locking knobs and tilt table to the left until it rests against the table stop screw.
3. Use a square placed on the table and against the blade, as shown in Figure 40, to verify that the table is 90 degrees to the blade. Make sure the table insert is level with the table surface, to ensure an accurate reading.
4. If an adjustment is necessary, tilt the table out of the way and tighten the table locking knobs.
5. Loosen jam nut (Figure 39) and turn table stop screw left or right to raise or lower the stop. Tighten jam nut down against the trunnion support to hold table stop screw in place.
6. Unlock the table and tilt it back on to the table stop screw to confirm table is 90 degrees to the blade. Repeat this process as necessary until table is 90 degrees to the blade.
7. Make sure pointer (Figure 39) indicates zero. If it does not, loosen screw and move pointer to align with zero. Re-tighten screw.

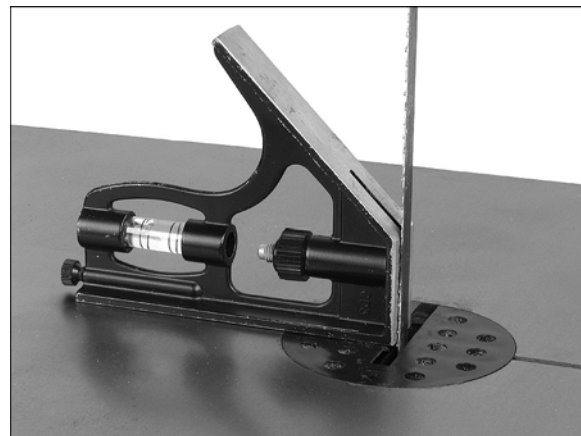


Figure 40

NOTE: After adjusting the 90-degree stop, it may be necessary to re-set the extension table so it is level with the main table. See “Leveling the Extension Table.”

Table Aligned with Blade

For accurate crosscuts using the miter gauge, the table (i.e. miter slot) must be aligned with the blade. This alignment has been set by the manufacturer, but the operator may wish to verify it, as follows. NOTE: This procedure works best with a wide blade.

Refer to Figure 41.

1. Place a straightedge along the side of the blade, with very light pressure (do not deflect the blade). The straightedge should contact both front and back of blade.
2. Measure carefully with a fine rule from the straightedge to the edge of the miter slot. Do this at front and back of the table; the distance should be the same.
3. If the miter slot is not aligned with the blade, slightly loosen the six screws holding the trunnions to the table.
4. Nudge the table as needed, until the miter slot is aligned with blade (distances are the same front to back).
5. Tighten trunnion screws. (NOTE: After this adjustment, the alignment of fence to blade may need to be re-checked. See "Aligning Fence to Blade" on page 17.)

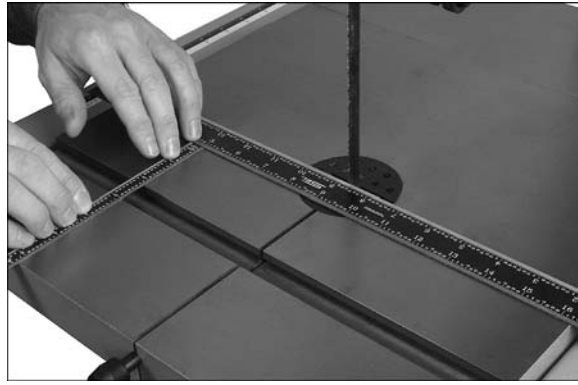


Figure 41

Installing Blades

⚠WARNING Unplug the machine from the power source before removing or installing blades.

The PWBS-14CS Band Saw is provided with a 3/8" wide x 0.020 thick x 93.5" long, 6TPI blade.

Refer to Figure 42.

The blade tension lever is a patented Carter® Quick-Release™ lever, and has three positions: high (tension), middle (partial tension), and low (blade release). Push the lever up slightly, then out, and move it into position, allowing it to rest on the appropriate ledge of the block.

1. Disconnect machine from power source.
2. Move tension lever to blade release position, as shown in Figure 42.

(Note: When using the larger width blades, it may also become necessary to loosen the tension knob to release all tension.)

3. Remove the table insert and the table pin.
4. Open both wheel guards.
5. Back off the upper and lower guide bearings so that nothing conflicts with the blade.

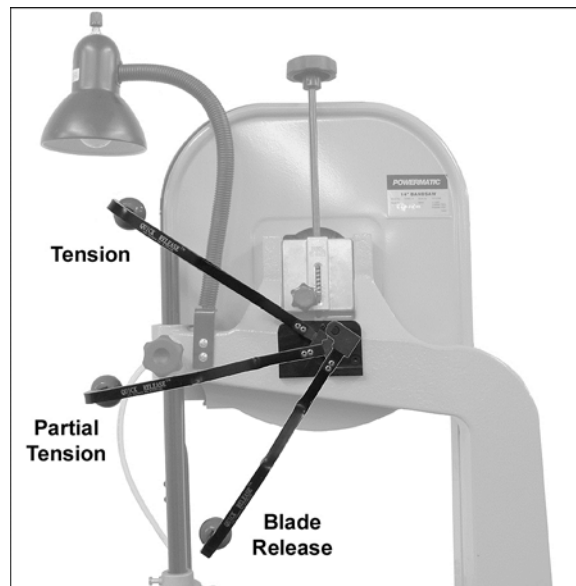


Figure 42

6. Remove the current blade from the upper wheel, then the lower wheel. Turn blade to direct it through the slot in the table.

CAUTION New blades are usually packaged in coiled position. Use gloves and grasp the coil with one hand while slowly uncoiling the blade with the other hand.

7. Guide new blade through table slot. Place blade in upper and lower blade guides, and around upper and lower wheels.

Note: Make sure blade teeth point forward and down toward the table. If the teeth won't point downward no matter how you orient the blade, then the blade is twisted inside-out. Remove blade and, using gloves, twist it into correct orientation, then re-install.

8. Position blade so it lies on the center of both upper and lower wheels.
9. Raise tension lever to partial tension position.
10. Re-install table insert and table pin.
11. Tension and track the blade before operating saw. Proceed to "Blade Tension" and "Blade Tracking".

Blade Tension

Refer to Figure 43.

1. Disconnect machine from power source.
2. Place tension lever in full tension position (see Figure 42).
3. Turn blade *tension knob* (Figure 43) clockwise to tension blade. A *gauge* on the upper wheel *slide bracket* indicates the approximate tension according to the width of the blade. Initially, set the blade tension to correspond to blade width.

CAUTION The tension lever must be in highest (tension) position when setting blade tension. Failure to comply may cause damage to locating block at base of lever.

As you become familiar with the saw, you may find it necessary to change the blade tension from the initial setting. Changes in blade width and the type of material being cut will have an effect on blade tension. Keep in mind that too little or too much blade tension can cause blade breakage.

TIP: If the band saw is to sit idle for a period of time while the blade is installed, place tension lever in partial tension position; this will help prevent blade fatigue and tire deformation, and save wear on bearings and band wheels.

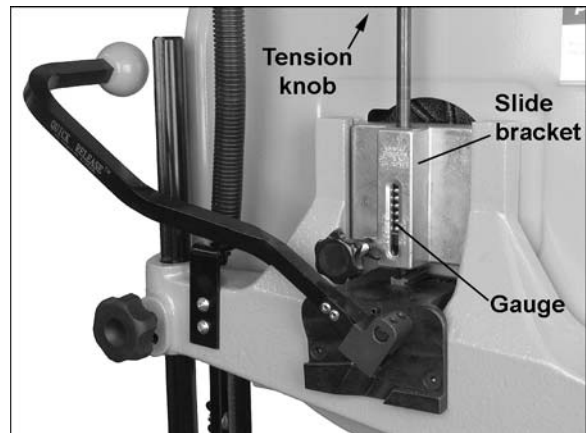


Figure 43

Blade Tracking

⚠WARNING Disconnect machine from power source. Do not adjust blade tracking with the machine running.

“Tracking” refers to how the blade is positioned on the wheels while in motion. The blade should track approximately in the center of both wheels, as shown in Figure 44. Tracking on the PWBS-14CS Band Saw has been factory-adjusted; however, it should be checked periodically, including after every blade change.

Refer to Figure 45.

1. The blade must be properly tensioned before adjusting blade tracking. Make sure blade guides and blade bearings do not interfere with the blade.
2. Place the tension lever at full tension position.
3. Open the upper door and rotate the upper wheel forward by hand. Observe the position of the blade on the wheel - it should be in the center.
4. If the blade tends to shift to one side or the other of the wheel, loosen *wing nut* (Figure 45).
5. If the blade is tracking toward the *front edge* of the wheel, rotate the *tracking knob* clockwise – the upper wheel will tilt toward the back and the blade will move to the center of the wheel.

If the blade is tracking toward the *back edge* of the wheel, rotate the *tracking knob* counterclockwise: the upper wheel will tilt toward the front and the blade will move to the center of the wheel.

IMPORTANT: This adjustment is sensitive; perform it in small increments and give the blade time to react to the changes, as you continue to rotate the wheel.

6. When blade is tracking properly at the center of the wheel, re-tighten the *wing nut*.
7. Turn on saw and verify proper tracking while the machine is running.
8. If further tracking adjustments are needed, **disconnect from power**, and repeat instructions above.

Guide Post and Upper Blade Guard

Refer to Figure 46.

1. Disconnect machine from power source.

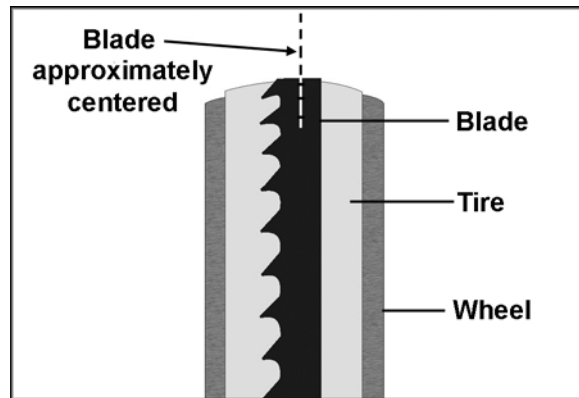


Figure 44

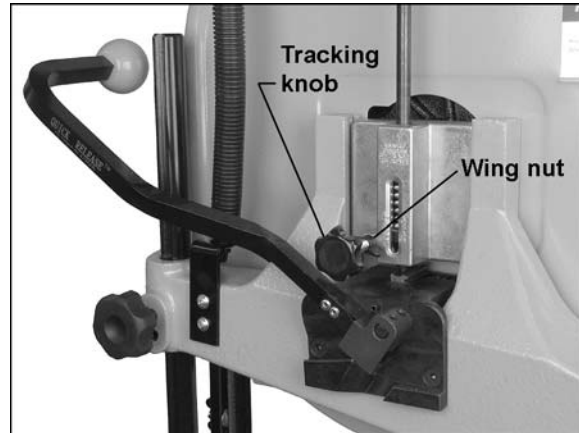


Figure 45

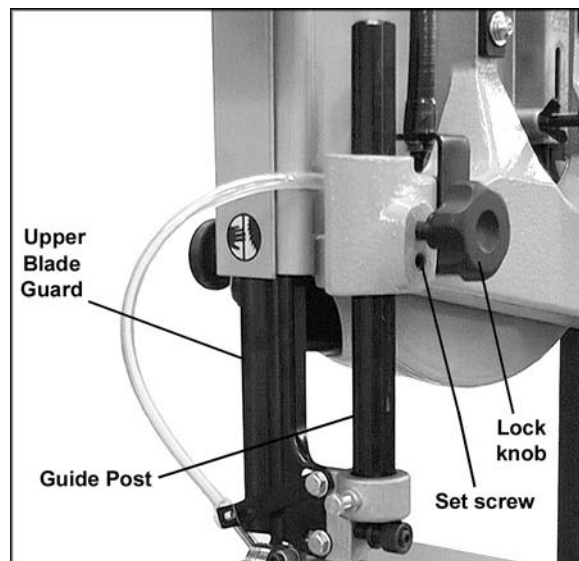


Figure 46

2. Loosen *lock knob* and raise or lower upper blade guide assembly to approximately 3/16" above the material being cut.
3. Tighten *lock knob*.
4. The *guide post* (Figure 46) is spring loaded. To adjust the tension on the spring, unscrew and completely remove *knob*, then tighten or loosen *set screw*, until desired tension is reached. Re-install *knob*.

Upper Bearing Guides

Refer to Figures 47, 48, 49.

1. Disconnect machine from power source.
2. Blade must already be tensioned and tracking properly.
3. Loosen thumb screw (A, Figure 47) and move guide block by turning knob (B) so that the front of the guide wheels (C) are just behind the gullet (curved area at base of tooth) of the blade, as shown in Figure 48. This distance is usually about 0.016" (or 1/64").
4. Tighten thumb screw (A, Figure 47).
5. Loosen the socket screw (D) and turn the screw (E) on each guide wheel to move the guide wheels about 0.004" from the blade. (A quick way to set this distance is to place a crisp dollar bill, which is approximately .004" thick, between guide wheel and blade, and move the guide until it just contacts the bill.)
6. Tighten socket screw (D) when adjustment is satisfactory.

Thrust Bearing

The thrust bearing (F, Figure 49) supports the back edge of the blade during operation, and is set so that the blade will contact it only when the blade is under pressure during a cut.

7. Loosen thumb screw (G, Figure 49) and turn knob (H) to move the thrust bearing (F) in or out until the bearing is approximately 0.016" (or 1/64") behind the blade. You can use a feeler gauge to set this distance, or simply place a crisp dollar bill folded twice (four thicknesses) between the thrust bearing and the blade. (A dollar bill is approximately 0.004" thick, so four thicknesses provides the necessary distance.)
8. Tighten thumb screw (G, Figure 50).

Lower Bearing Guides

Refer to Figure 50.

1. Disconnect machine from power source.

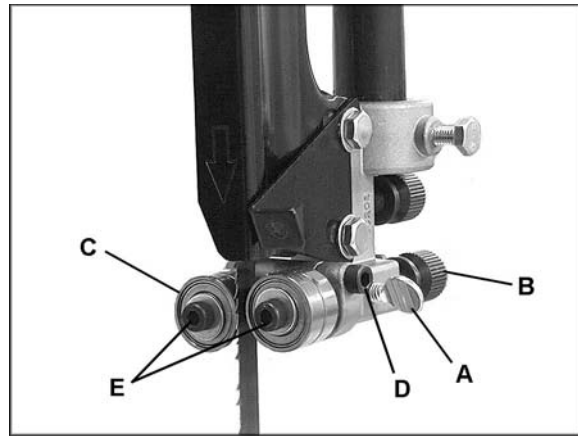


Figure 47

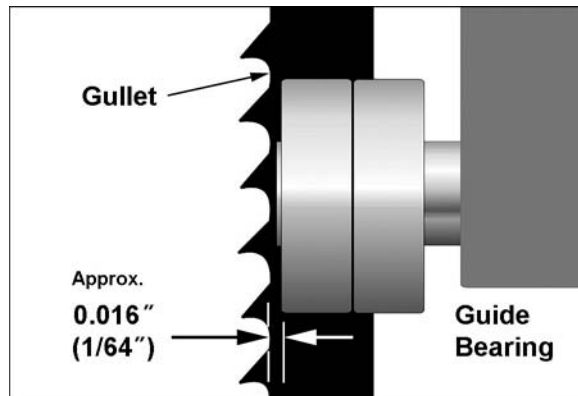


Figure 48

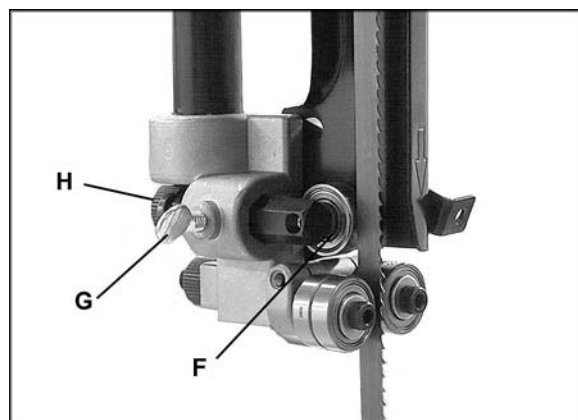


Figure 49

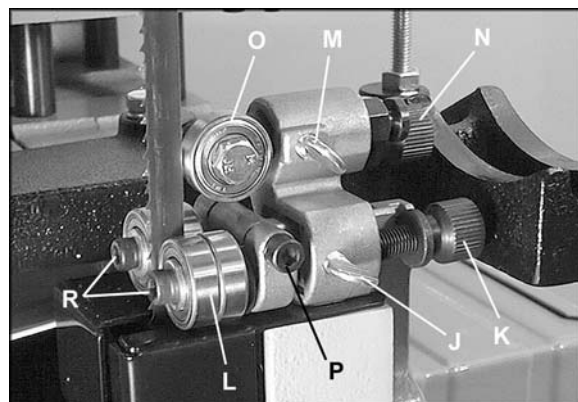


Figure 50

2. Blade must already be tensioned and tracking properly.
3. Loosen thumb screw (J) and move guide block by turning knob (K) so that the front of the guide wheels (L) are just behind the gullet (curved area at base of tooth) of the blade.
4. Tighten thumb screw (J).

Thrust Bearing

5. Loosen thumb screw (M) and turn knob (N) to move the support bearing (O) in or out until the bearing is approximately 0.016" (or 1/64") behind the blade. You can use a feeler gauge to set this distance, or simply place a dollar bill folded twice (four thicknesses) between the support bearing and the blade. (A dollar bill is .004" thick, so four thicknesses provides the necessary distance.)
6. Tighten thumb screw (M).
7. Loosen the socket screw (P) and turn the screw (R) on each guide wheel to move the guide wheels about .004" from the blade. Tighten socket screw (P) when finished.

Miter Gauge

Refer to Figures 51, 52.

A miter gauge is provided for crosscutting. Slide the miter gauge into the T-slot from the edge of the table.

To use the miter gauge, loosen the handle and rotate the gauge body until the desired angle on the scale lines up with the pointer. Tighten handle.

For precise crosscuts, the 90° angle of the miter gauge to the blade can be verified as follows (Refer to Figure 52). A wide blade works best for this procedure.

1. Set the miter gauge at 90°.
2. Place a square against the miter gauge and against the blade, as shown.
3. Adjust the miter gauge until the square lies flush against both it and the blade.
4. Loosen the screw and shift the pointer as needed. Retighten screw.

The miter gauge, when not in use, can be placed into the hooks on the stand. See Figure 53. Loosen the miter gauge handle, and slide the miter gauge into the top hook. Pivot the miter gauge bar into the lower hook, then tighten the miter gauge handle to secure the miter gauge to the stand.

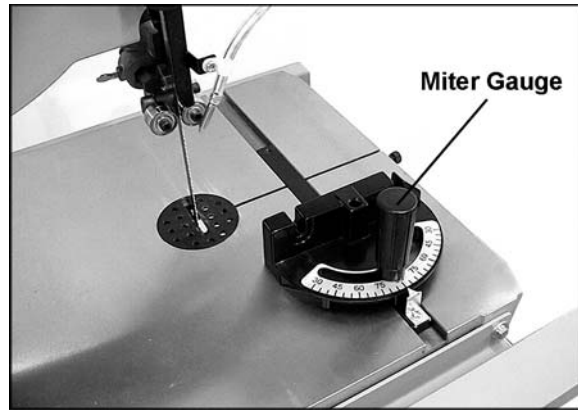


Figure 51

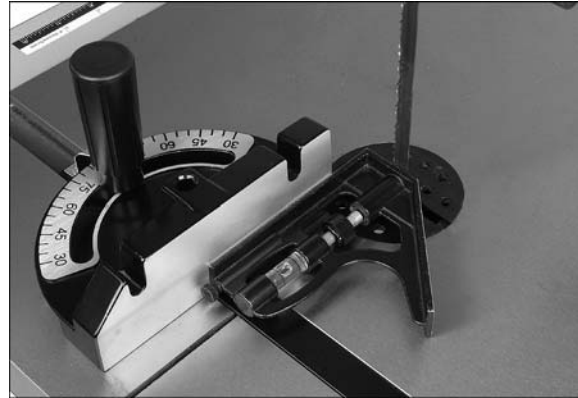


Figure 52

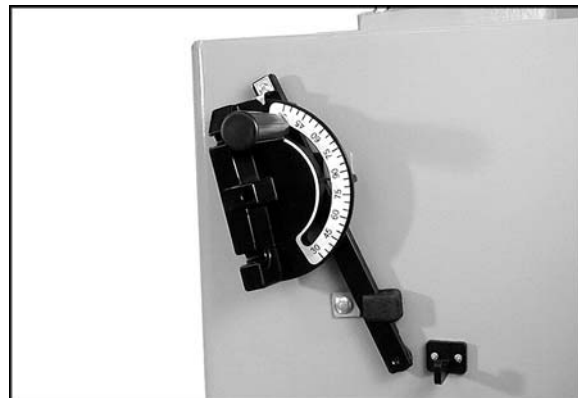


Figure 53

On/Off Switch

The band saw is equipped with a push-button switch that will accept a safety padlock (not included). To safeguard your machine from unauthorized operation and accidental starting by young children, the use of a padlock is highly recommended – see Figure 54.

Maintenance

⚠WARNING Before doing maintenance, disconnect machine from electrical supply by pulling out the plug or switching off the main switch! Failure to comply may cause serious injury.

Clean the band saw regularly to remove any resinous deposits and sawdust. Use a brush, vacuum or compressed air to blow out excess dust. (Wear safety goggles while doing this.)

Keep the miter slot in the table free of dust and debris. Keep the guide bearings clean and free of resin. Use a commercially available gum and pitch remover if needed.

Keep the guide post clean; occasionally apply a light coat of oil.

Oil any pins, shafts, and joints. Do not get oil on pulleys or belts.

Bearings on the band saw are sealed for life and do not require attention.

Check that the cleaning brush over the lower wheel is working properly; adjust if necessary.

Remove any deposits from the band wheels and tires to avoid vibration and blade breakage. *NOTE: Do not use solvents around tires.* If signs of wear or deformation occur, replace the tires.

The table surface must be kept clean and free of rust for best results. If rust appears, use a mixture of household ammonia, a good commercial detergent and #000 steel wool. Alternatively, commercial rust removers can be found at many hardware stores.

Apply a light, protective coating over the table, such as paste wax. Products in aerosol form are also available in hardware stores and supply catalogs. Whatever method is chosen, the coating should protect the metal and provide a smooth surface, without staining the wood.

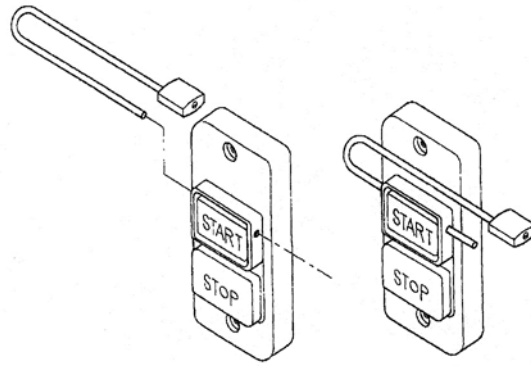


Figure 54

Blade Selection

Using the proper blade for the job will increase the operating efficiency of your band saw, help reduce necessary saw maintenance, and improve your productivity. Thus, it is important to follow certain guidelines when selecting a saw blade.

Here are factors to consider when selecting a blade:

- The type of material you will be cutting.
- The thickness of the workpiece.
- The features of the workpiece, such as bends or curves with small radii.

These factors are important because they involve basic concepts of saw blade design. There are five (5) blade features that are normally changed to meet certain kinds of sawing requirements. They are:

1. width
2. pitch (number of teeth per inch)
3. tooth form (or shape)
4. the “set” of the teeth
5. the blade material itself

Width

Band saw blades come in different standard widths, measured from the back edge of the blade to the tip of the tooth. Generally, wider blades are used for ripping or making straight cuts, such as resawing. Narrower blades are often used when the part being cut has curves with small radii. When cutting straight lines with a narrow blade, the blade may have a tendency to drift (see “Blade Lead”).

Pitch

Pitch is measured in “teeth per inch” (T.P.I.) and can be constant or variable. Figure 55 shows blades with different pitches.

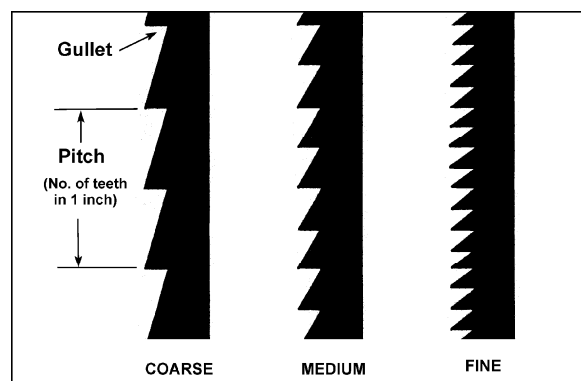


Figure 55

A fine pitch (more teeth per inch) will cut slowly but more smoothly. A coarse pitch (fewer teeth per inch) will cut faster but more roughly.

As a rule of thumb, the thicker the workpiece, the coarser will be the blade pitch. If you have to cut a hard or very brittle material, you will probably want to use a blade with a finer pitch in order to get clean cuts.

Using a blade with too few teeth may cause vibration and a rough cut, while too many teeth may cause the gullets to fill with sawdust and overheat the blade.

As a general rule, try to use a blade that will have from 6 to 12 teeth in the workpiece at any given time.

Shape

Figure 56 shows common types of tooth shape, or form. Tooth shape has an effect on cutting rate.

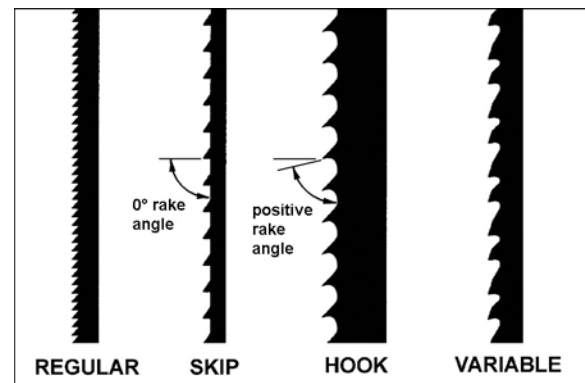


Figure 56 – Blade Tooth Shape

The *Regular*, or standard blade, has evenly spaced teeth that are the same size as the gullets, and a zero-degree rake (i.e. cutting angle). These offer precise, clean cuts at slower rates. It is usually a good choice for cutting curves and making crosscuts.

The *Skip* type has fewer teeth and larger gullets with a zero rake. It allows faster cutting rates than the *Regular* type, with a slightly coarser finish. It is useful for re-sawing and ripping thick stock, as well as cutting softwoods.

The *Hook* type blade has larger teeth and gullets and a positive rake angle for more aggressive, faster cutting when re-sawing or ripping thick stock, especially hardwoods.

Variable-tooth blades combine features of the other shapes, with tooth style and spacing varying on the same blade. This produces smooth cuts while dampening vibration.

Set

The term “set” refers to the way in which the saw teeth are bent or positioned. Bending the teeth creates a kerf that is wider than the back of the blade. This helps the operator more easily pivot a workpiece through curve cuts, and decreases friction between blade and workpiece on straight cuts.

Set patterns are usually selected depending upon the type of material that needs to be cut. Three common set patterns are shown in Figure 57.

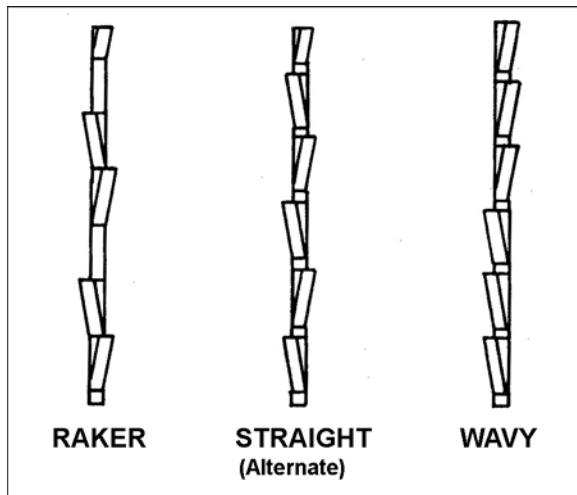


Figure 57

Generally, the *Raker* set is used for cutting metal workpieces; the *Wavy* set, when the thickness of the workpiece changes, such as cutting hollow tubing or structurals. The *Straight*, or *Alternate*, set is the one most used for woodworking blades, and is also used to cut plastics.

Material

Band saw blades can be made from different types of metals. The most common include spring steel, carbon steel, bimetal (alloy steel equipped with a high speed cobalt steel edge welded to it), or carbide tips.

Because of the importance of blade selection, it is recommended that you use the blade selection guide on page 35. Also, listening to experienced band saw users will provide valuable information as to the types of blades currently on the market along with their pros and cons.

Blade Breakage

Band saw blades are subject to high stresses and breakage may sometimes be unavoidable. However, many factors can be controlled to help prevent most blade breakage. Here are some common causes for breakage:

1. Misalignment of the blade guides.
2. Feeding workpiece too quickly.
3. Using a wide blade to cut a tight radius curve.
4. Excessive tension.
5. Teeth are dull or improperly set.
6. Upper guides are set too high off the workpiece.
7. Faulty weld on blade.

Although not essential, some users round or “stone” the back edge of their blade. This is done by placing a sharpening stone on the table and in light contact with the back corners of the blade as the blade is running. Rounding can help the back blade edge move more smoothly through the kerf, smooths the weld, and helps prevent cracks from starting at the back corners.

Operation

The following section contains basic information, and is not intended to cover all possible applications or techniques using the Band Saw. Consult published sources of information, acquire formal training, and/or talk to experienced Band Saw users to gain proficiency and knowledge of band saw operations. (The Figures used may or may not show your particular saw model, but the procedures are identical.)

General Procedure

1. Make sure the blade is adjusted correctly for tension and tracking, and that upper and lower guide bearings and thrust bearings are set in proper relation to the blade.
2. Adjust guide post so that the guide bearings are just above the workpiece (about 3/16") allowing minimum exposure to the blade.
3. If using the fence, move it into position and lock it to the guide rail. If you are using the miter gauge for a crosscut, the fence should be moved safely out of the way.
4. Turn on the band saw and allow a few seconds for the machine to reach full speed.

⚠WARNING Whenever possible, use a push stick, hold-down, power feeder, jig, or similar device while feeding stock, to prevent your hands getting too close to the blade.

5. Place the straightest edge of the workpiece against the fence for a rip cut; or against the miter gauge for a crosscut. Push the workpiece slowly into the blade, while also keeping it pressed against the fence or held against the miter gauge. Do not force the workpiece into the blade.

Some further operating tips:

Make *relief cuts* whenever possible. A relief cut is an extra cut made through the waste portion of a workpiece up to the layout line. When that intersection is reached by the blade while following the layout line, the waste portion comes free. This helps prevent pinching of the back edge of the blade in the cut.

⚠CAUTION When cutting, do not overfeed the blade; overfeeding will reduce blade life, and may cause the blade to break.

When cutting long stock, the operator should use roller stands, support tables, or an assistant to help stabilize the workpiece.

Ripping

Ripping is cutting lengthwise down the workpiece, and with the grain (of wood stock). See Figure 58. Always use a push stick or similar safety device when ripping narrow pieces.

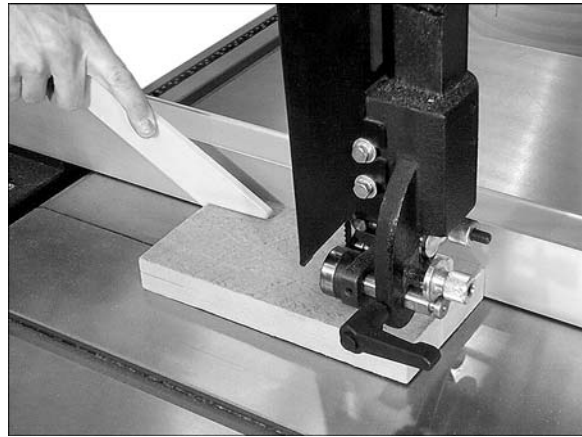


Figure 58

Crosscutting

Crosscutting is cutting across the grain of the workpiece, while using the miter gauge to feed the workpiece into the blade.

The right hand should hold the workpiece steady against the miter gauge, while the left hand pushes the miter gauge past the blade, as shown in Figure 59.

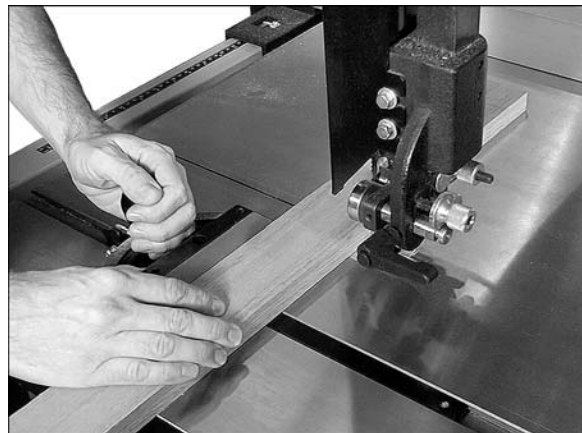


Figure 59

Do not use the fence in conjunction with the miter gauge. The offcut of the workpiece must not be constrained during or after the cutting process.

⚠CAUTION Using the fence in conjunction with the miter gauge can cause binding and possible damage to the blade.

Resawing

Resawing is the process of slicing stock to reduce its thickness, or to produce boards that are thinner than the original workpiece, such as veneers.

The ideal blade for resawing is the widest one the machine can handle, as the wider the blade the better it can hold a straight line.

Resawing can be performed using the rip fence or the resaw guide. When using the rip fence, use a push block, push stick, or similar device to keep your hands away from the blade. The resaw guide offers a pivot point by which you can carefully follow your layout line; it is especially useful for sawing curves, when the fence can't be used and it's difficult to control the cut freehand.

Figure 60 demonstrates resawing with the rip fence; Figure 61, with the resaw guide.

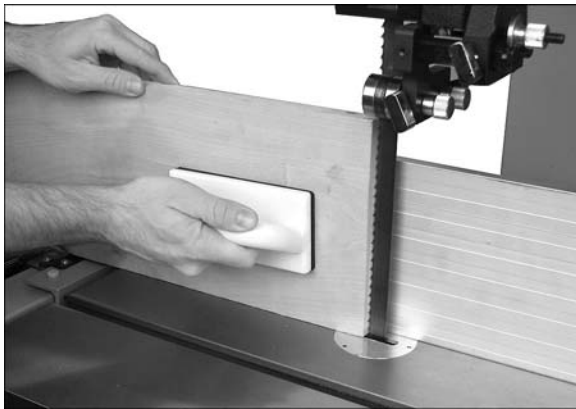


Figure 60

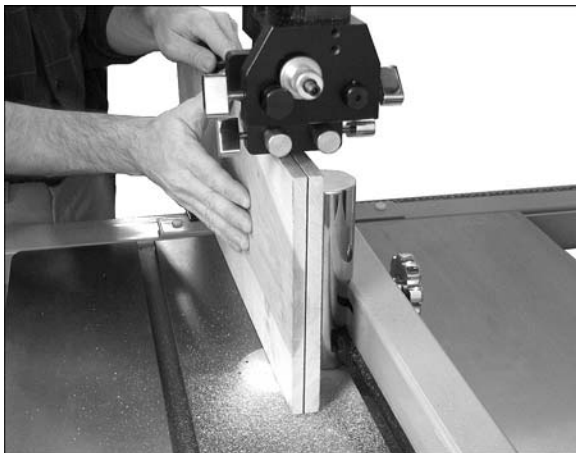


Figure 61

Blade Lead

Blade lead, or drift, is when the blade begins to wander off the cutting line even when the band saw rip fence is being used. Figure 62 shows an example of blade lead.

It is more common with small, narrow blades, and is almost always attributable to poor blade quality, or lack of proper adjustments. Inspect the band saw for the following:

- Fence is not parallel to miter slot and blade.
- Blade is not tensioned correctly.
- Blade is dull.
- Teeth have too much “set” on one side of the blade.
- Workpiece is being fed too quickly.

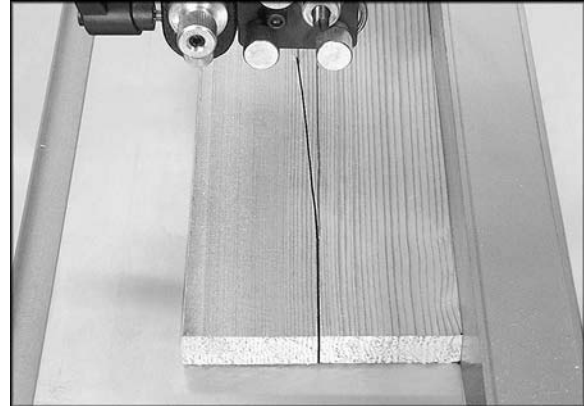


Figure 62

If the blade is suspect, but replacing it is not currently an option, the blade lead can be temporarily compensated for by skewing the fence:

1. Cut a scrap piece of wood about the same length as the band saw table, and joint one edge along its length, or rip it on a table saw to give it a straight edge.
2. Draw a line on the board parallel with the jointed, or straight edge of the board.
3. Move the band saw fence out of the way, and carefully make a freehand cut along your drawn line on the board. Stop about midway on the board, and shut off the band saw (allow the blade to come to a complete stop) but do not allow the board to move.
4. Clamp the board to the table.
5. Loosen the four hex cap screws on the fence and slide the fence over, lining it up against the board. Lock the fence down.
6. Re-tighten the four hex cap screws.

NOTE: Skewing the fence to correct blade lead is effective for that particular blade; when a new blade is installed, the fence will need re-adjustment and re-squaring to miter slot. See appropriate sections in this manual.

Troubleshooting – Mechanical and Electrical Problems

Trouble	Probable Cause	Remedy
Machine will not start/restart or repeatedly trips circuit breaker or blows fuses.	No incoming power.	Verify machine is connected to power source.
	Electrical cord damaged.	Replace cord.
	Building circuit breaker trips or fuse blows.	Verify that band saw is on a circuit of correct size. If circuit size is correct, there is probably a loose electrical lead.
	Switch or motor failure (how to distinguish).	If you have access to a voltmeter, you can separate a switch failure from a motor failure by first, verifying incoming voltage at 110 +/-10% [or 220 +/-10%] and second, checking the voltage between switch and motor. If incoming voltage is incorrect, you have a power supply problem. If voltage between starter and motor is incorrect, you have a starter problem. If voltage between starter and motor is correct, you have a motor problem.
	Motor overheated.	Clean motor of dust or debris to allow proper air circulation. Allow motor to cool down before restarting.
	Motor failure.	If electric motor is suspect, you have two options: Have a qualified electrician test the motor for function or remove the motor and take it to a qualified electric motor repair shop and have it tested.
	Miswiring of the unit.	Confirm that all electrical connections are correct.
	Switch failure.	If the start/stop switch is suspect, you have two options: Have a qualified electrician test the switch for function, or purchase a new start/stop switch and establish if that was the problem on change-out.
Band Saw does not come up to speed.	Extension cord too light or too long.	Replace with adequate size and length cord.
	Low current.	Contact a qualified electrician.

Troubleshooting – Operating Problems

Trouble	Probable Cause	Remedy
Table tilt does not hold position under load.	Table locking knobs are not tight.	Tighten locking knobs .
Table will not tilt.	Trunnion is not lubricated.	Grease the trunnion.
	Trunnion is jammed.	Disassemble and replace jammed parts.
Saw vibrates excessively.	Stand is on uneven floor.	Re-position on flat, level surface.
	Drive belt is too slack, or worn.	Increase tension on drive belt. Replace belt if worn.
	Motor plate screws or other hardware on saw is loose.	Tighten all hardware.
	Incorrect choice of saw blade pitch.	Check blade selection chart and use correct blade.
	Saw dust or debris on band wheel. Or tire is worn/damaged.	Keep band wheels clean. Replace tires if necessary.
	Low shop voltage.	Contact a qualified electrician.
Surface finish on workpiece is rough.	Saw blade speed is too low.	Increase speed.
	Saw blade pitch is too coarse.	Change to finer pitch blade.
Saw blade cutting inaccurately. Cuts are not straight.	Blade mounted incorrectly.	Teeth should point downward.
	Angle pointer not set correctly.	Check blade with square and adjust pointer.
	Table stop not adjusted correctly.	Check blade with square and adjust stop.
	Gum or pitch on blade.	Clean blade.
	Worn blade teeth or damaged blade.	Replace blade.
	Fence not parallel to blade.	Align fence properly (see page 17).
	Miter gauge adjusted improperly.	Adjust miter gauge (see page 25)
	Incorrect adjustment of blade guides.	Adjust blade guides properly (see pages 24-25).
	Workpiece being fed too strongly.	Reduce feed force.
	Upper blade guides not located close enough to workpiece.	Guides should be about 3/16" above workpiece.
	Incorrect choice of saw blade for that particular cutting operation.	Change to correct blade.
	Blade tension too light.	Increase tension (see page 22).

Trouble	Probable Cause	Remedy
"Blade lead" occurs (blade wanders during cut)	Fence not aligned with blade.	Check and adjust fence (see page 17)
	Wood is warped.	Select different wood.
	Excessive feed rate	Reduce feed rate.
	Incorrect blade being used for the particular cut being made.	Change blade to correct type.
	Blade tension improperly set.	Set blade tension according to blade size.
	Bearing guides not set properly.	Adjust guides (see pages 24-25).
Blade cannot be tensioned properly.	Tension spring is fatigued.	Replace tension spring (contact service representative).
Blade binds in the workpiece.	Incorrect blade tension or damaged blade.	Correct accordingly.
	Blade too wide for desired radius.	Select narrower blade. See chart on page 35.
Blade forms cracks at base of teeth.	Teeth not suitable for particular job, or are incorrectly set.	Replace with proper blade for job.
	Blade thickness not suitable for band wheel diameter.	Replace with proper thickness blade.
	Blade sharpened incorrectly, becomes overheated.	Sharpen blade properly or replace.
	Band wheels have become misaligned.	Contact service representative.
Cracks on back edge of blade.	Workpiece being fed too quickly.	Reduce feed speed to lessen strain on the blade.
	Welding on blade not perfectly aligned.	Eliminate the welded part, and re-weld properly; or acquire a new blade. Round the back edge of a new blade.
	Thrust bearing is worn; caused by constant contact with back of blade.	Replace thrust bearing. Adjust new bearing according to instructions.
Blade breaks prematurely.	Feeding workpiece too quickly.	Reduce feed force.
	Blade guides misaligned.	Set bearing guides appropriate distance from blade.
	Blade pitch too coarse, or wrong size blade for particular cut (e.g., wide blade to cut a tight radius).	Refer to blade selection chart; use appropriate blade for the operation.
	Blade overheated during welding.	Replace blade, or have blade annealed, or eliminate brittle part and weld correctly.

Trouble	Probable Cause	Remedy
	Blade cooled too rapidly after welding.	Replace blade, or have blade annealed, or eliminate brittle part and weld correctly.
	Thrust bearing not properly supporting blade, or guide post/side bearings set too high allowing flex.	Check all guide bearings for correct position and signs of wear. Adjust or replace as needed.
	Blade tensioned too tightly.	Reduce tension (see page 22).
Blade breaks close to weld.	Blade overheated during welding.	Have blade annealed, or eliminate brittle part and weld correctly.
	Blade cooled too rapidly after welding.	Have blade annealed, or eliminate brittle part and weld correctly.
Premature dulling of saw teeth.	Blade "pitch" too fine.	Refer to blade selection chart. Use blade with coarser pitch.
	Feed pressure too light.	Increase feed pressure.
	Cutting rate too low.	Increase feed pressure and cutting rate.
	Incorrect choice of blade.	Re-examine material. Select proper blade from the chart.
	Chipped tooth or foreign object lodged in cut.	Stop the saw and remove lodged particle. Replace blade if damaged.

Optional Accessories

17912176" Riser Block Kit

2042377 Mobile Base for PWBS14-CS Band Saw

Blade Selection Guide

Identify the material and thickness of your workpiece. The chart will show the recommended PITCH, blade TYPE, and FEED RATE.

Key: H – Hook L – Low
 S – Skip M – Medium
 R – Regular H – High

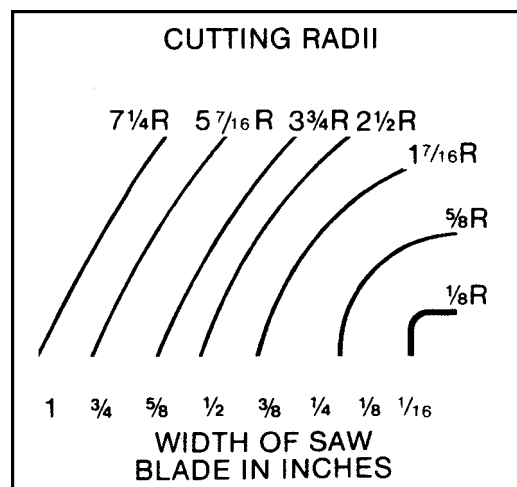
Example: 10/H/M means 10 teeth per inch / Hook Type Blade / Medium Feed

MATERIAL/S		WORKPIECE THICKNESS			
		1/2"	1"	3"	6+"
WOODS	HARDWOOD	10/R/L	8/R/L	3/H/M	3/H/M
	SOFTWOOD	10/R/L	8/R/L	3/H/M	3/H/M
NON-METALS	CARBON	10/R/L	6/R/L	3/S/M	3/S/M
	MICA	32/R/L	—	—	—
	ASBESTOS	8/R/L	6/R/L	3/S/M	3/S/M
	HARD RUBBER	10/R/L	8/R/L	6/R/M	2/S/H
PLASTICS	FORMICA	14/R/M	10/R/M	4/H/H	4/H/H
	MASONITE	10/R/L	4/S/L	3/S/M	3/H/M
	MICARTA	14/R/M	10/R/M	4/H/H	3/H/H
	PLEXIGLAS	10/R/L	6/R/L	3/S/M	3/S/M
	PAPER	14/R/L	10/R/L	4/S/L	3/S/M

For Radius Cutting

Study the part drawing or prototype, or actually measure the smallest cutting radius required, and locate this radius (in inches) on the chart at the right. Follow the curve to where the approximate blade width is specified. If a radius falls between two of the curves, select the widest blade that will saw this radius.

This procedure should be used for making initial blade selections. These recommendations can, of course, be adjusted to meet specific requirements of a cutting job. Compromises may be necessary if you cannot find all needed specifications in a single blade.



Replacement Parts

To order parts or reach our service department, call 1-800-274-6848, Monday through Friday (see our website for business hours, www.powermatic.com). Having the Model Number and Serial Number of your machine available when you call will allow us to serve you quickly and accurately.

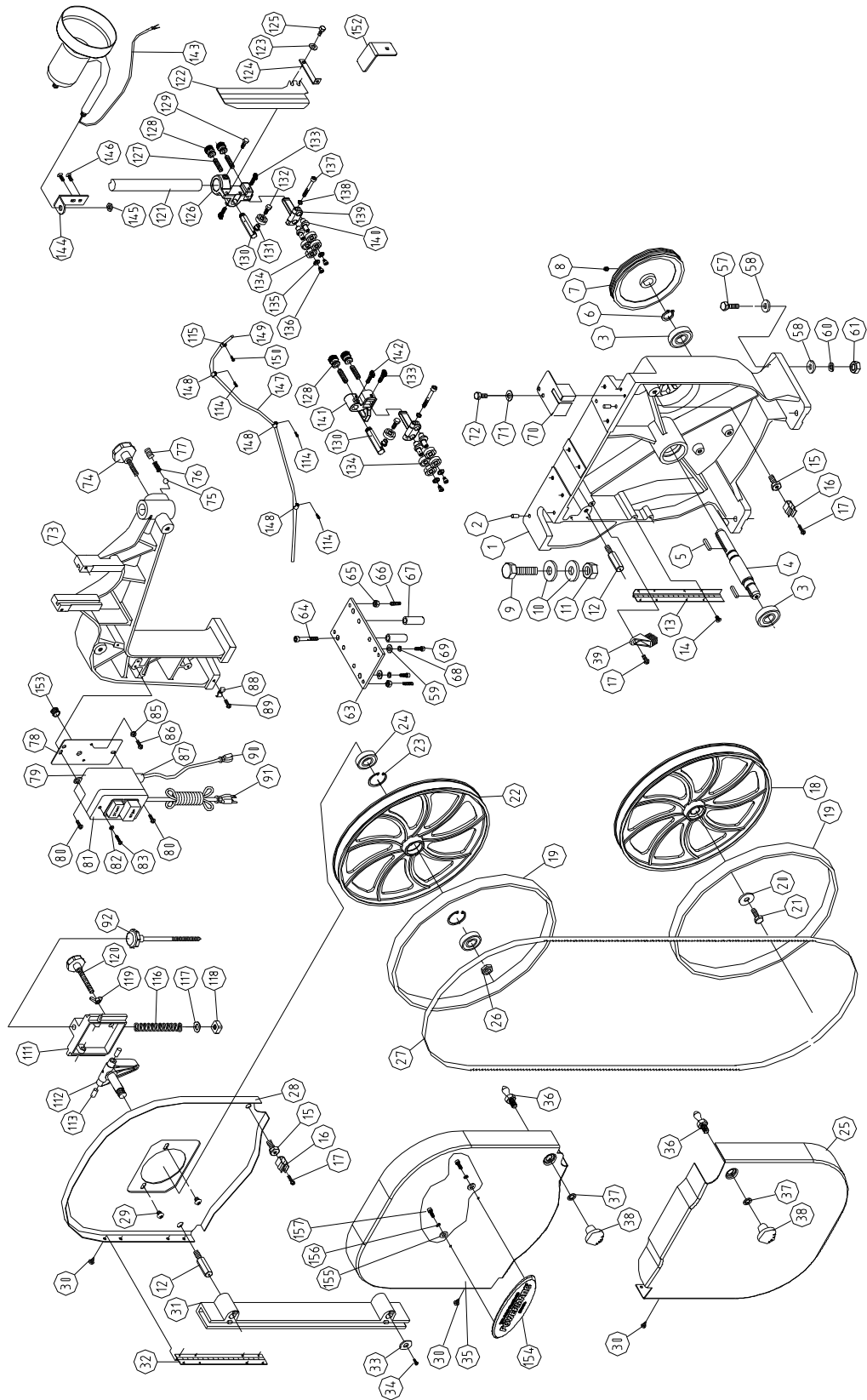
Parts List: Body Assembly

Index No.	Part No.	Description	Size	Qty
1	PWBS14-101	Base		1
2	PWBS14-102	Pin		4
3	BB-6204VV	Ball Bearing	6204VV	2
4	PWBS14-104	Lower Wheel Shaft		1
5	6291489	Key	5 x 5 x 20 mm	2
6	PWBS14-106	Retaining Ring	S20	1
7	PWBS14-107	Pulley		1
8	TS-1523031	Socket Set Screw	M6 x 10	2
9	PWBS14-109	Hex Head Bolt	M16 x 55	1
10	TS-155010	Flat Washer	M16	2
11	TS-154010	Hex Nut	M16	1
12	PWBS14-112	Hex Stud		2
13	PWBS14-113	Lower Hinge		1
14	TS-1534041	Phillips Flat Head Machine Screw	M5 x 10	4
15	PWBS14-115	Hex Head Bolt		2
16	PWBS14-116	Catch		2
17	TS-1533042	Phillips Pan Head Machine Screw	M5 x 12	3
18	PWBS14-118	Lower Wheel		1
19	PWBS14-119	Wheel Tire		2
20	TS-1550061	Flat Washer	M8	2
21	PWBS14-121	Hex Cap Screw	M8 x 25(LH)	1
22	PWBS14-122	Upper Wheel		1
23	PWBS14-123	Retaining Ring	R35	2
24	BB-6202ZZ	Ball Bearing	6202ZZ	2
25	PWBS14-125	Lower Wheel Guard		1
26	TS-1540083	Hex Nut	M12 x 1.25	1
27		Blade (<i>local purchase</i>)		1
28	PWBS14-128	Upper Back Cover		1
29	PWBS14-129	Pan Head Flanged Screw	M5 x 8	2
30	PWBS14-130	Tapping Screw	M4 x 8	12
31	PWBS14-131	Rear Guard Blade		1
32	PWBS14-132	Upper Hinge		1
33	PWBS14-133	Oblong Metal Washer		2
34	PWBS14-134	Tapping Screw	M3.5 x 16(AB)	2
35	PWBS14-135	Upper Wheel Guard		1
36	PWBS14-136	Stud Latch		2
37	PWBS14-137	Star Washer (Internal)	M8	2
38	PWBS14-138	Knob	M8	2
39	PWBS14-139	Wheel Brush		1
40	TS-1540061	Hex Nut	M8	1
57	TS-1490071	Hex Cap Screw	M8 x 40	4
58	TS-1550061	Flat Washer	M8 x 18	8
59	TS-1550041	Flat Washer	M6 x 13	4
60	TS-1551061	Lock Washer	M8	4
61	TS-1540061	Hex Nut	M8	4
63	PWBS14-163	Level Board		1
64	PWBS14-164	Socket Head Cap Screw	M8 x 65	4
65	TS-1540061	Hex Nut	M8	4
66	TS-1524051	Socket Set Screw	M8 x 20	4
67	PWBS14-167	Spacer		4
68	TS-1551041	Lock Washer	M6	4
69	TS-1503061	Socket Head Cap Screw	M6 x 25	4

Index No.	Part No.	Description	Size	Qty
70	PWBS14-170	Lower Blade Guard		1
71	TS-1550041	Flat Washer	M6	2
72	TS-1482041	Hex Cap Screw	M6 x 20	2
73	PWBS14-173	Upper Frame Arm		1
74	PWBS14-174	Knob	M8	1
75	PWBS14-175	Steel Ball		1
76	PWBS14-176	Spring		1
77	TS-1525011	Socket Set Screw	M10 x 10	1
78	PWBS14-178	Switch Plate		1
79	PWBS14-179	Switch Enclosure		1
80	TS-1533052	Phillips Pan Head Machine Screw	M5 x 16	2
81	PWBS14-181	Switch		1
82	TS-1550021	Flat Washer	M4	2
83	PWBS14-183	Tapping Screw	M3.5 x 12 (AB)	2
84	TS-1522011	Socket Set Screw	M5 x 6	1
85	PWBS14-185	Star Washer (External)	M5	2
86	PWBS14-186	Phillips Pan Head Machine Screw	M5 x 6	2
87	PWBS14-187	Strain Relief		2
88	PWBS14-188	Cord Clamp		1
89	TS-1533042	Phillips Pan Head Machine Screw	M5 x 12	1
90	PWBS14-190	Power Cord (Switch To Motor)		1
91	PWBS14-191	Power Cord		1
	PWBS14-SBA-1	Sliding Bracket Assembly (includes #92,111-120) (serial # 71210381 and higher)		1
	PWBS14-SBA	Sliding Bracket Assembly (includes #92,111-120) (serial # 71210380 and lower)		1
92	PWBS14-192	Adjusting Bolt Assembly		1
	PWBS14-192-1	Knob	M8	1
	PWBS14-192-2	Adjusting Bolt		1
	PWBS14-192-3	Spring Pin	Ø3 x 18 mm	1
111	PWBS14-211A	Upper Wheel Sliding Bracket (serial# 71210381 and higher)		1
	PWBS14-211	Upper Wheel Sliding Bracket (serial# 71210380 and lower)		1
	TS-1522021	Socket Set Screw	M5 x 8	2
112	PWBS14-212-1A	Upper Wheel Shaft Hinge Assembly		1
	PWBS14-212-2A	Upper Wheel Shaft (serial# 80712360 and higher)		1
	PWBS14-212-3	Spring Pin	Ø4 x 24 mm	1
	PWBS14-212-4A	Upper Wheel Shaft Hinge (serial# 80712360 and higher)		1
	PWBS14-212-5	Adjustable Nut	M20 x 1.0	1
113	PWBS14-213	Steel Pin		2
114	TS-1533042	Phillips Pan Head Machine Screw	M5 x 12	1
115	PWBS14-215	Cord Clamp		2
116	PWBS14-216	Coil Spring		1
117	PWBS14-217	Indicator		1
118	PWBS14-218	Square Nut	M10	1
119	TS-154306	Wing Nut	M8	1
120	PWBS14-220	Knob Bolt	M8 x 55	1
121	PWBS14-221	Guide Post		1
122	PWBS14-222	Blade Guard		1
123	TS-1550041	Flat Washer	M6 x 13	2
124	PWBS14-224	Support Plate		1
125	TS-1482011	Hex Cap Screw	M6 x 10	2
126	PWBS14-226	Upper Support		1
127	PWBS14-227	Adjusting Screw	M8 x 1.0 x 40	4
128	PWBS14-228	Adjusting Nut		4
129	TS-1482031	Hex Cap Screw	M6 x 16	1
130	PWBS14-230	Lower Support Bracket Post		2
131	PWBS14-231	Bearing Sheath		2
132	TS-1482031	Hex Cap Screw	M6 x 20	2
133	PWBS14-233	Thumb Screw	M6 x 16	3
134	BB-608ZZ	Ball Bearing	608ZZ	10
135	TS-1550031	Flat Washer	M5	4
136	TS-2235061	Socket Head Cap Screw	M5 x 6	4
137	TS-1502091	Socket Head Cap Screw	M5 x 40	2

Index No.	Part No.	Description	Size	Qty
138	TS-1551031	Lock Washer	M5	2
139	PWBS14-239	Support Bracket		2
140	PWBS14-240	Eccentric Shaft		4
141	PWBS14-241	Spacing Sleeve		1
142	PWBS14-242	Thumb Screw	M6 x 12	1
143	PWBS14-243	Lampshade		1
144	PWBS14-244	Lamp Holder		1
145	PWBS14-245	Nut		1
146	PWBS14-251-5	Pan Head Flanged Screw	M5 x 8	2
147	PWBS14-247	Flexible Pipe		1
148	PWBS14-248	Cord Clamp		1
149	PWBS14-249	Jet Head		1
150	TS-1533042	Phillips Pan Head Machine Screw	M5 x 12	2
152	PWBS14-252	Spacer		2
153	PWBS14-253	Gasket		1
154	PWBS14-254SN	Powermatic Nameplate, Small		1
155	TS-1550041	Flat Washer	M6	2
156	TS-2361061	Lock Washer	M6	2
157	6714154	Hex Cap Screw	1/4-20 x 3/8"	2
	PM2700-441	Narrow Stripe (not shown)		2

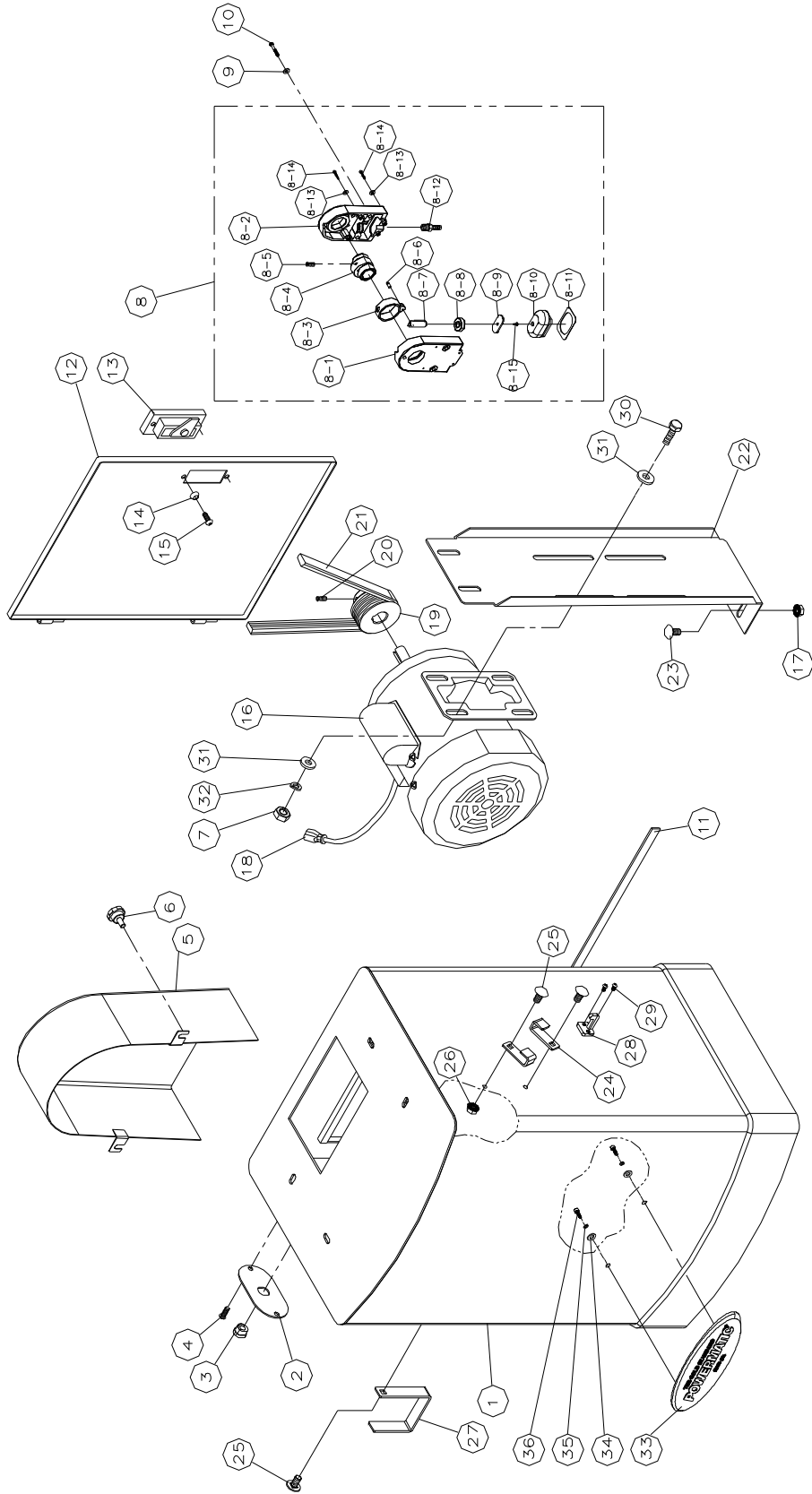
Body Assembly



Parts List: Closed Stand Assembly

Index No.	Part No.	Description	Size	Qty
1	PWBS14-301	Closed Stand Assembly		1
	PWBS14-301-1	Closed Stand		1
	PWBS14-301-2	Face Plate		1
	PWBS14-301-3	Support Plate-1		1
	PWBS14-301-4	Support Plate-2		1
2	PWBS14-302	Plate		1
3	PWBS14-303	Strain Relief		1
4	TS-1533042	Phillips Pan Head Machine Screw	M5 x 12	2
5	PWBS14-305	Pulley Box		1
6	PWBS14-306	Knob	M6 x 12	2
7	TS-1540061	Hex Nut	M8	4
8	PWBS14-308	Air Regulator Assembly (Items 8-1 thru 8-14)		1
8-1	PWBS14-308-1	Lower Wheel Guard		1
8-2	PWBS14-308-2	Upper Wheel Guard		1
8-3	PWBS14-308-3	Lever Arm		1
8-4	PWBS14-308-4	Cam		1
8-5	PWBS14-308-5	Set Screw	M5 x 5	2
8-6	PWBS14-308-6	Locator Pin		1
8-7	PWBS14-308-7	Guide		1
8-8	PWBS14-308-8	Bushing		1
8-9	PWBS14-308-9	Flat Bar		1
8-10	PWBS14-308-10	Air Pump		1
8-11	PWBS14-308-11	Spacer Strip		1
8-12	PWBS14-308-12	Nozzle		1
8-13	TS-1550021	Flat Washer	M4	4
8-14	PWBS14-308-14	Tapping Screw	M3.5 x 30	4
8-15	TS-2284081	Flat Head Phillips Machine Screw	M4 x 8	1
9	TS-1550021	Flat Washer	M4	2
10	PWBS14-310	Socket Cap Bolt	M4 x 40	2
11	PWBS14-311	Sponge		2
12	PWBS14-312	Door		1
13	PWBS14-313	Door Latch Assembly		1
14	PWBS14-314	Washer		2
15	PWBS14-315	Pan Head Bolt	M4 x 5	2
16	PWBS14-316	Motor (TEFC)	1.5HP, 1Ph, 115/230V	1
	PWBS14-316SC	Start Capacitor (not shown)	200MF 125VAC	1
	PWBS14-316RC	Run Capacitor (not shown)	20µF 250VAC	1
17	TS-2320081	Flange Hex Nut	M8	4
18	PWBS14-318	Motor Cord		1
19	PWBS14-319	Motor Pulley		1
20	TS-1523041	Socket Set Screw	M6 x 12	2
21	PWBS14-321	Belt	500J6	1
22	PWBS14-322	Motor Plate		1
23	PWBS14-323	Carriage Bolt	M8 x 16	4
24	PWBS14-324	Miter Gauge Hook		2
25	PWBS14-325	Carriage Bolt	M8 x 16	4
26	TS-2320081	Flange Hex Nut	M8	4
27	PWBS14-327	Hook		2
28	PWBS14-328	Blade Hook		1
29	TS-1532032	Phillips Pan Head Machine Screw	M4 x 10	2
30	TS-1490041	Hex Cap Screw	M8 x 25	4
31	TS-1550061	Flat Washer	M8	8
32	TS-1551061	Lock Washer	M8	4
33	PM2000-105	Powermatic Nameplate, Large		1
34	TS-1550041	Flat Washer	M6	2
35	TS-2361061	Lock Washer	M6	2
36	6714154	Hex Cap Screw	1/4-20 x 3/8"	2
	PM2700-440	Wide Stripe (not shown)		1
	PM2700-441	Narrow Stripe (not shown)		1

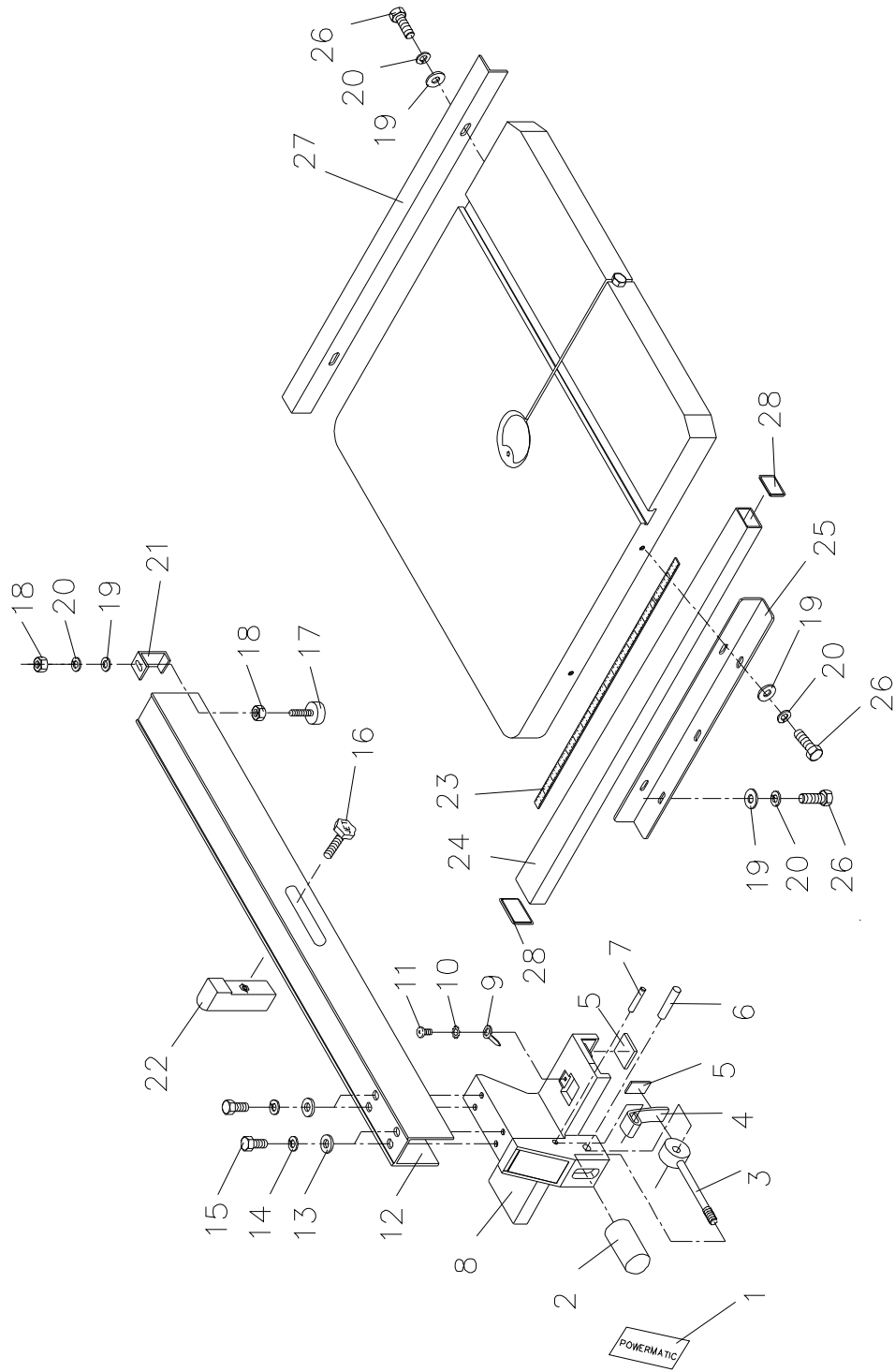
Closed Stand Assembly



Parts List: Fence and Rail Assembly

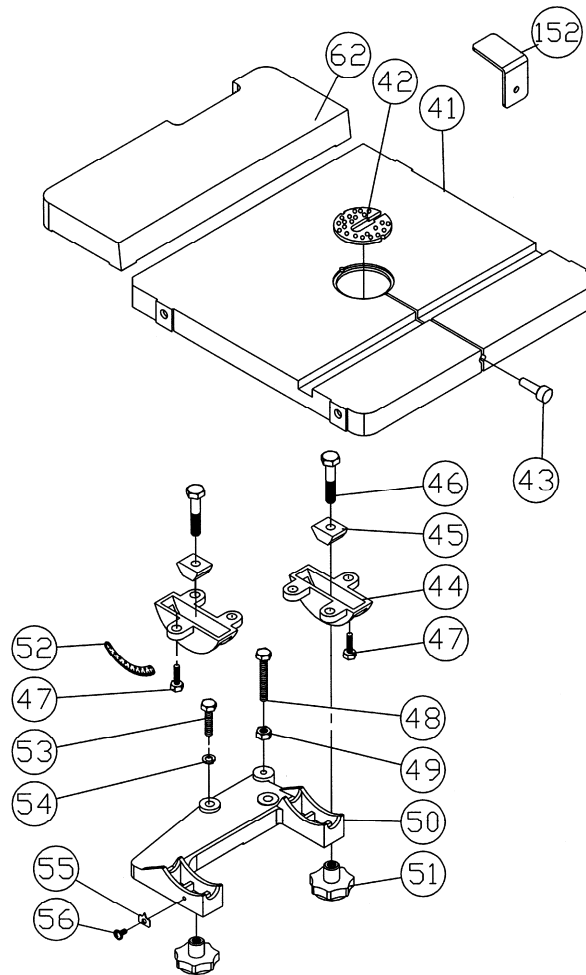
Index No.	Part No.	Description	Size	Qty
	PWBS14-FA	Fence Assembly (index # 1 through 22)		
1	PWBS14-F01	Powermatic Label		1
2	JWBS18-431	Knob		1
3	JWBS18-432	Lock Handle		1
4	JWBS18-433	Lock Plate		1
5	JWBS18-434	Pad		5
6	JWBS18-435	Pin		1
7	JWBS18-436	Pin		1
8	PWBS14-F08	Fence Body		1
9	JWBS18-442	Pointer		1
10	JWBS18-441	Star Washer	3/16"	1
11	JWBS18-440	Screw	3/16" x 1/4"	1
12	JWBS14-F12	Fence		1
13	JWBS18-439	Flat Washer*	5/16"	4
14	TS-0720081	Lock Washer*	5/16"	4
15	TS-0081031	Hex Cap Screw*	5/16" x 3/4"	4
16	PWBS14-F16	Knob*		1
17	JWBS18-444	Sliding Pad*		1
18	TS-0561011	Hex Nut*	1/4"	2
19	TS-0680021	Flat Washer*	1/4"	8
20	TS-0720071	Lock Washer*	1/4"	8
21	JWBS18-445	Rear Hook*		1
22	JWBS14-F22	Resaw Post*		1
23	JWBS14-F23	Scale (inches)		1
24	PWBS14-F24	Guide Rail		1
25	PWBS14-F25	Front Rail		1
26	TS-1482041	Hex Cap Screw*	M6 x 20	7
27	PWBS14-F27	Rear Rail		1
28	2013-285	End Cover		2
	PWBS14-HP	Hardware Package (includes items marked with *)		1

Fence and Rail Assembly



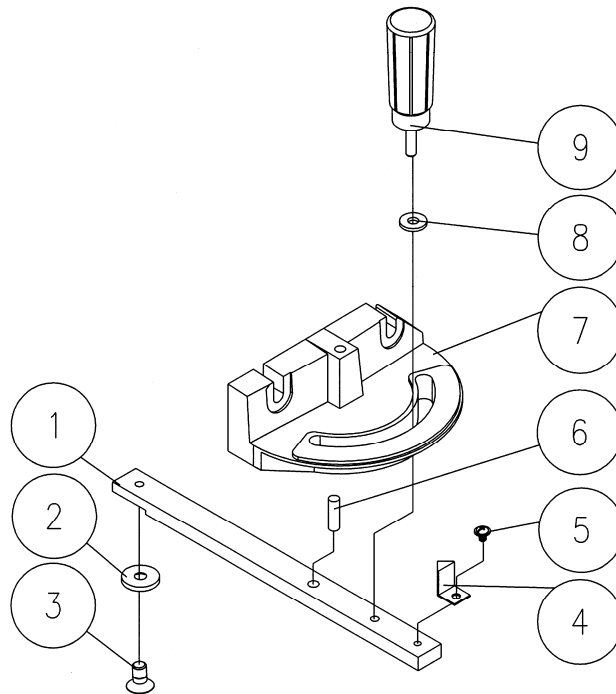
Parts List: Table and Trunnion Assembly

Index No.	Part No.	Description	Size	Qty
41	PWBS14-141	Table		1
42	PWBS14-142	Table Insert		1
43	PWBS14-143	Table Pin		1
44	PWBS14-144	Trunnion		2
45	PWBS14-145	Trunnion Clamp Shoes		2
46	TS-1491081	Hex Cap Screw	M10 x 50	2
47	PWBS14-147	Hex Head Flange Bolt		6
48	TS-1490151	Hex Cap Screw	M8 x 80	1
49	TS-1540061	Hex Nut	M8	1
50	PWBS14-150	Trunnion Clamp Shoe		1
51	PWBS14-151	Knob	M10	2
52	PWBS14-152	Scale		1
53	TS-1490071	Hex Cap Screw	M8 x 40	2
54	TS-1551061	Lock Washer	M8	2
55	PWBS14-155	Pointer		1
56	PWBS14-156	Pan Head Flanged Screw	M5 x 6	1
62	PWBS14-162	Extension Plate		1
152	PWBS14-252	L-Spacer		2



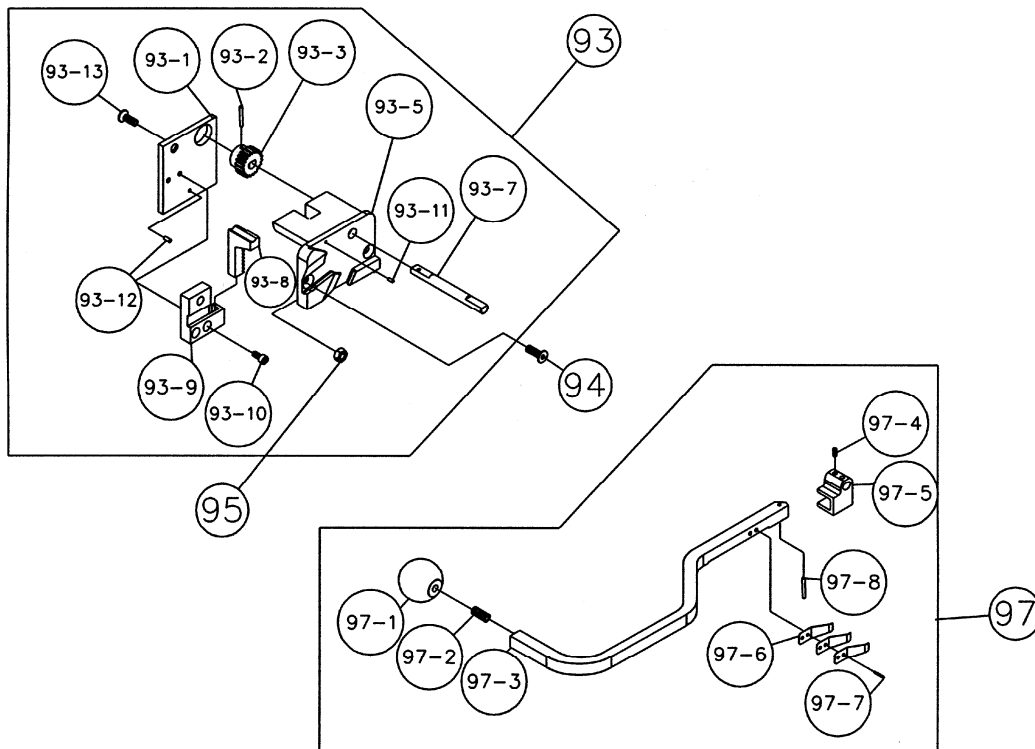
Parts List: Miter Gauge Assembly

Index No.	Part No.	Description	Size	Qty
.....	PWBS14-251	Miter Gauge Assembly (Items 1 thru 9)		1
1	PWBS14-251-1	Guide Bar		1
2	PWBS14-251-2	Guide Piece		1
3	PWBS14-251-3	Counter Sunk Bolt	M6 x 6	1
4	PWBS14-251-4	Pointer		1
5	PWBS14-251-5	Pan Head Flanged Screw	M5 x 8	1
6	PWBS14-251-6	Pin	Ø6.5 x 10 mm	1
7	PWBS14-251-7	Miter Gauge Body		1
8	PWBS14-251-8	Nylon Washer		1
9	PWBS14-251-9	Handle		1



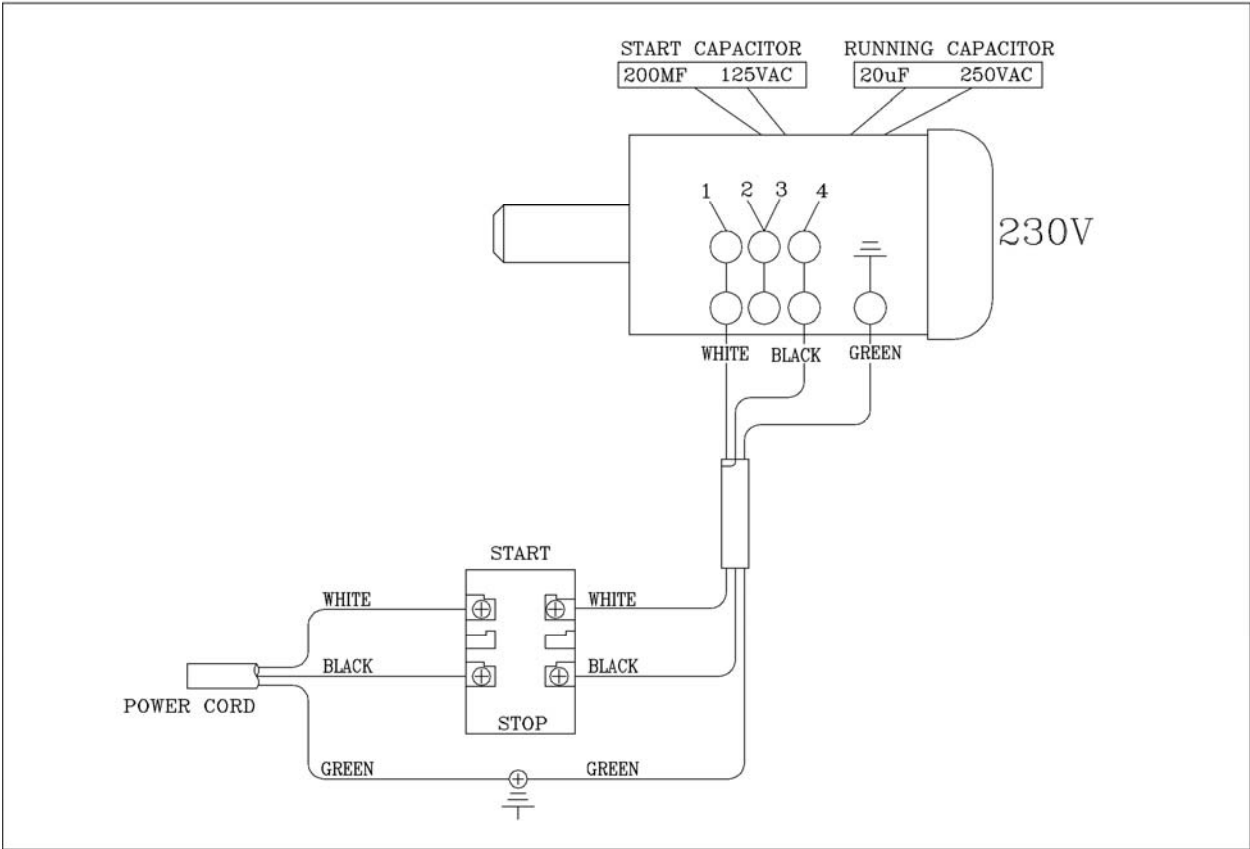
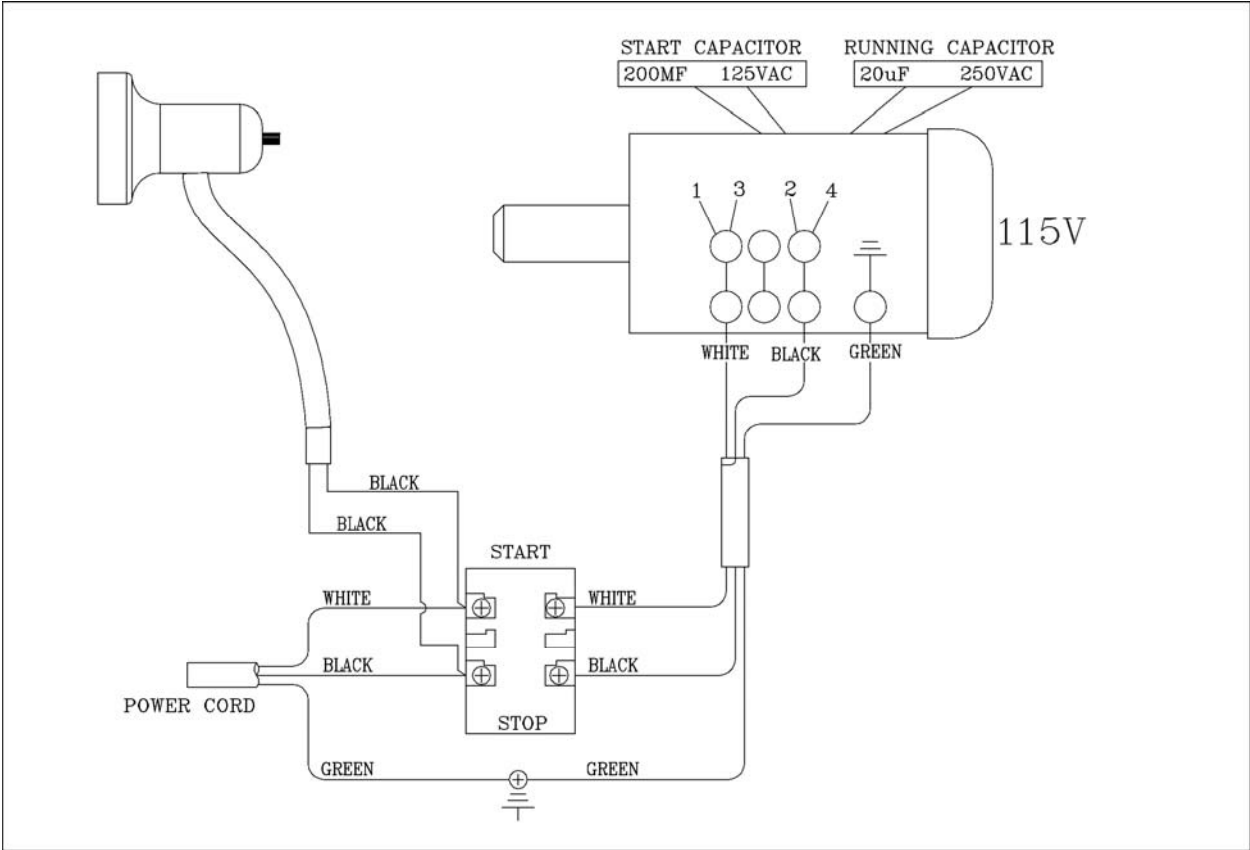
Parts List: Blade Tension Lever

Index No.	Part No.	Description	Size	Qty
93	PWBS14-193A	Adjusting Block Assembly (Index # 93-1 thru 93-13)		1
93-1	PWBS14-193-1	Side Cover		1
93-2	PWBS14-193-2	Spring Pin		1
93-3	PWBS14-193-3A	Gear		1
93-5	PWBS14-193-5A	Adjust Block		1
93-7	PWBS14-193-7A	Connecting Shaft		1
93-8	PWBS14-193-8	Moving Block		1
93-9	PWBS14-193-9	Bracket		1
93-10	TS-1502031	Socket Head Cap Screw	M5 x 12	2
93-11	PWBS14-193-11A	Spring Pin	3 x 16 mm	1
93-12	PWBS14-193-12	Spring Pin		1
93-13	PWBS14-193-13A	Countersunk Head Bolt	5/16" x 1-1/4"	1
94	PWBS14-194A	Countersunk Head Bolt	1/4" x 1-1/4"	2
95	TS-0561011	Hex Nut	1/4"-20	2
97	PWBS14-197	Handle Shaft Assembly (Index # 97-1 thru 97-8)		1
97-1	PWBS14-197-1	Knob	M8	1
97-2	PWBS14-197-2	Set Screw	M8 x 25	1
97-3	PWBS14-197-3	Handle Shaft		1
97-4	PWBS14-197-4	Set Screw	M6 x 6	2
97-5	PWBS14-197-5	Locate Block		1
97-6	PWBS14-197-6	Leaf Spring		3
97-7	PWBS14-197-7	Rivet		2
97-8	PWBS14-197-8	Spring Pin		1



Carter® Quick Release™; U.S. Patent No. 6,739,231

Electrical Connections for PWBS-14CS





427 New Sanford Rd.
LaVergne, TN 37086
Phone: 800-274-6848
www.powermatic.com