

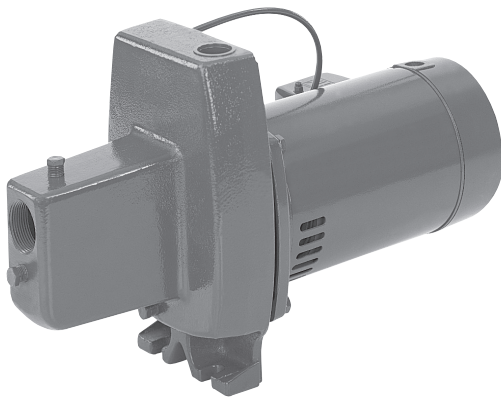
CAST IRON SELF-PRIMING SHALLOW WELL JET PUMPS

MFN SERIES

The MFN Series cast iron, self-priming shallow well jet pump provides strong performance with good pressure for wells to 25' deep. Self-priming after the priming chamber has been filled with water.

APPLICATIONS

Water systems and sprinkling for home, farms, and cottages.



SPECIFICATIONS

- ◆ **MFNC PRIMING TIME** (in minutes):
 - 15': 2.25 minutes max.
 - 25': 6.5 minutes max.
- ◆ **MFND PRIMING TIME** (in minutes):
 - 15': 1.7 minutes max.
 - 25': 4.4 minutes max.
- ◆ **MAX. LIQUID TEMPERATURE:** 140°F.
- ◆ **MFNC MAX. INLET PRESSURE:** 60 psi.
- ◆ **MFND MAX. INLET PRESSURE:** 50 psi.
- ◆ **MAX. INLET PSI + PUMP DISCHARGE PSI:** Not to exceed 100 psi.
- ◆ Body and Base: Close-grained cast iron.
- ◆ Nozzle: High-strength polycarbonate.
- ◆ Venturi: Polycarbonate.
- ◆ Impeller: Noryl®.
- ◆ Diffuser: Reinforced polypropylene.
- ◆ Shaft: One piece threaded stainless steel.

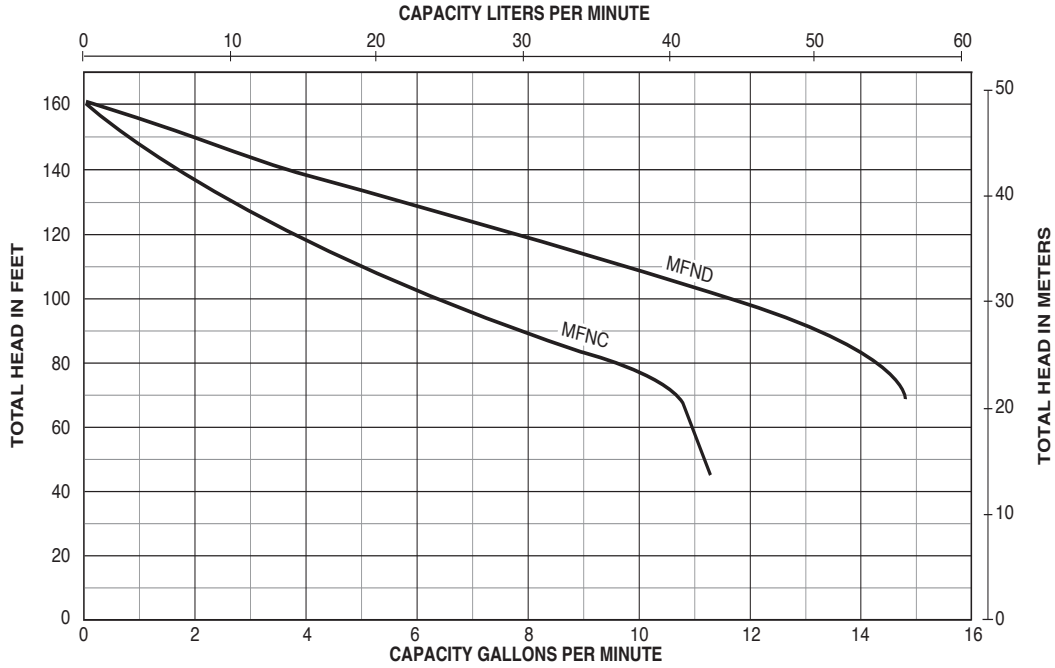
FEATURES

- ◆ **QUALITY CONSTRUCTION:** Close-grained cast iron body and base, specially treated for corrosion resistance. Drain port provided for easy winterizing.
- ◆ **BUILT-IN JET:** High-strength polycarbonate nozzle and venturi for maximum resistance to corrosion and abrasion. Clean out plug provided for ease of service.
- ◆ **NORYL IMPELLER:** Precision-molded for perfect balance; ultra smooth for highest performance and efficiency.
- ◆ **PRECISION-MOLDED DIFFUSER:** Pump primes faster, handles more air, with multi-port, precision-molded, reinforced polypropylene diffuser.
- ◆ **MECHANICAL SHAFT SEAL:** Precision lapped and highly polished carbon-ceramic, stainless steel construction. Internal design guarantees continuous water lubrication.
- ◆ **MOTOR WINDINGS:** Superior insulation materials protect against excessive moisture and contaminants assure prolonged motor life.
- ◆ **BALANCED ROTOR:** Die cast under high pressures for uniform performance and greater efficiency, dynamically balanced.
- ◆ **HEAVY-DUTY BALL BEARINGS:** Sealed, permanently lubricated bearings, extensively tested to ensure extended life and smooth, quiet operation.
- ◆ **PUMP AND MOTOR SHAFT:** Stainless steel for maximum corrosion resistance; one piece threaded shaft for positive impeller drive and alignment.
- ◆ **DUST PROOF COVER:** All electrical components are protected from dirt, dust and insects by a dust proof canopy; ventilating air cannot contaminate vital switching components.
- ◆ **PRESSURE SWITCH:** Adjustable cut-in and fixed differential (20 psi).

ORDERING INFORMATION

CATALOG NUMBER	HP	SWITCH SETTINGS	PIPE TAPPING SIZES		MOTOR VOLTAGE	APPROX. WT. LBS.
			SUCTION	DISCHARGE		
MFNC	1/2	30-50	1-1/4"	1"	115/230	46
MFND	3/4	30-50	1-1/4"	1"	115/230	47

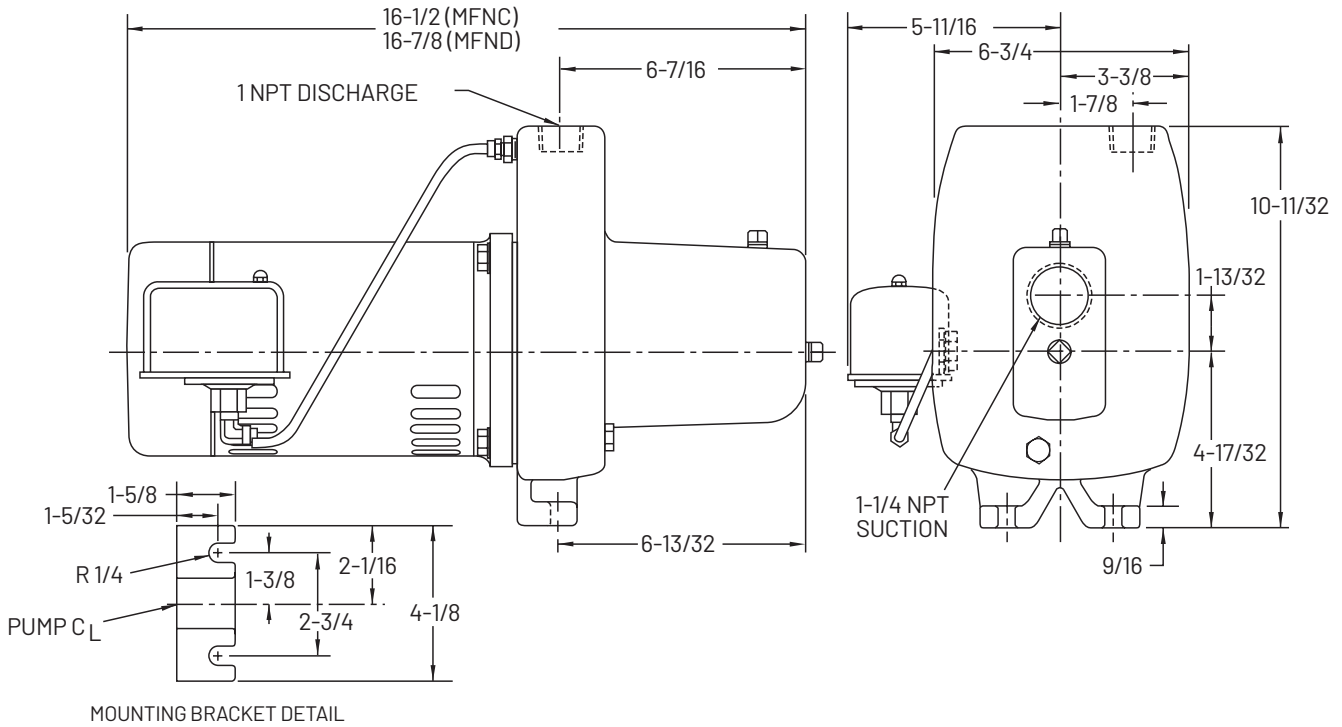
PERFORMANCE DATA



CATALOG #	HP	DISCHARGE PRESSURE		DYNAMIC SUCTION LIFT					SHUT-OFF PRESSURE PSI
		PSI	FEET HEAD	5'	10'	15'	20'	25'	
MFNC	1/2	20	46.2	9.8	8.8	7.5	6.2	4.5	69
		30	69.3	9.2	8.2	7.2	5.9	4.2	
		40	92.4	6.9	6.0	5.3	4.5	4.0	
		50	115.5	3.8	3.5	2.7	1.9	1.4	
MFND	3/4	30	69.3	15.0	13.0	11.6	8.7	6.9	70
		40	92.4	12.5	11.4	10.1	8.2	6.8	
		50	115.5	8.0	6.8	6.1	4.8	3.5	

Capacity in gallons per minute.

DIMENSIONAL DATA



Dimensions (in inches) are for estimating purposes only.



293 Wright St
 Delavan, WI 53115
 Ph: 888.987.8677
 Fx: 800.426.9446

490 Pinebush Rd., Unit 4
 Cambridge, Ontario N1T 0A5, Canada
 Ph: 800.363.7867
 Fx: 888.606.5484

pentair.com

All indicated Pentair trademarks and logos are property of Pentair. Third party registered and unregistered trademarks and logos are the property of their respective owners. Because we are continuously improving our products and services, Pentair reserves the right to change specifications without prior notice. Pentair is an equal opportunity employer.

Noryl® is a registered trademark of SABIC Global Technologies B.V. .

©2023 Pentair. All Rights Reserved.

MY12738 (03-01-23)