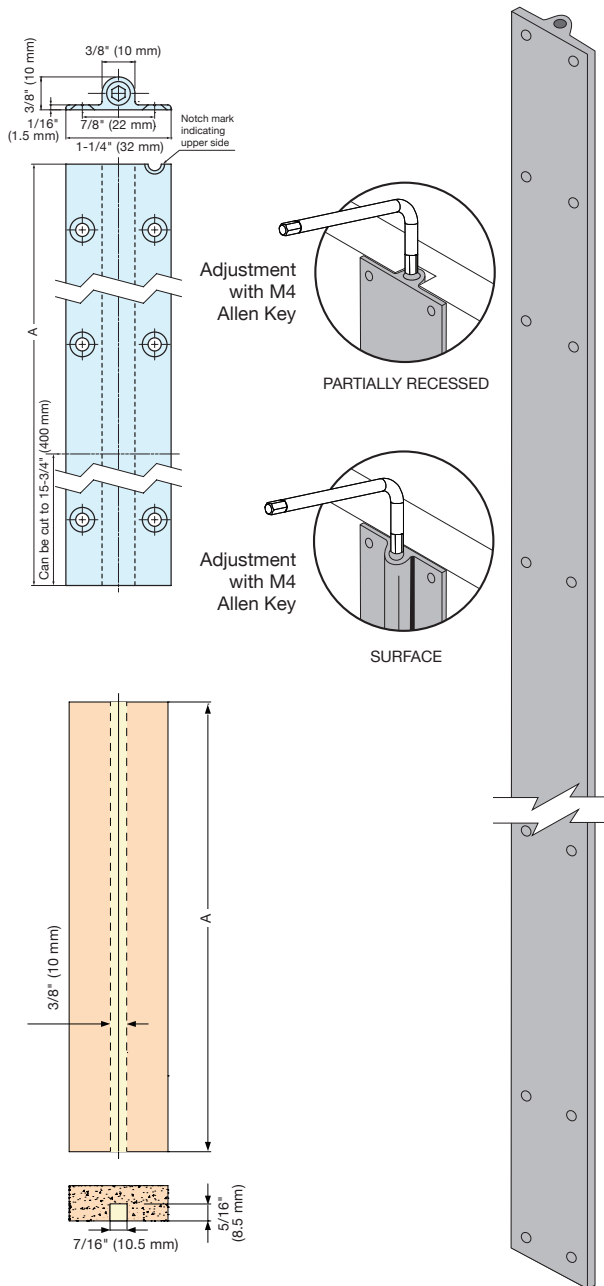


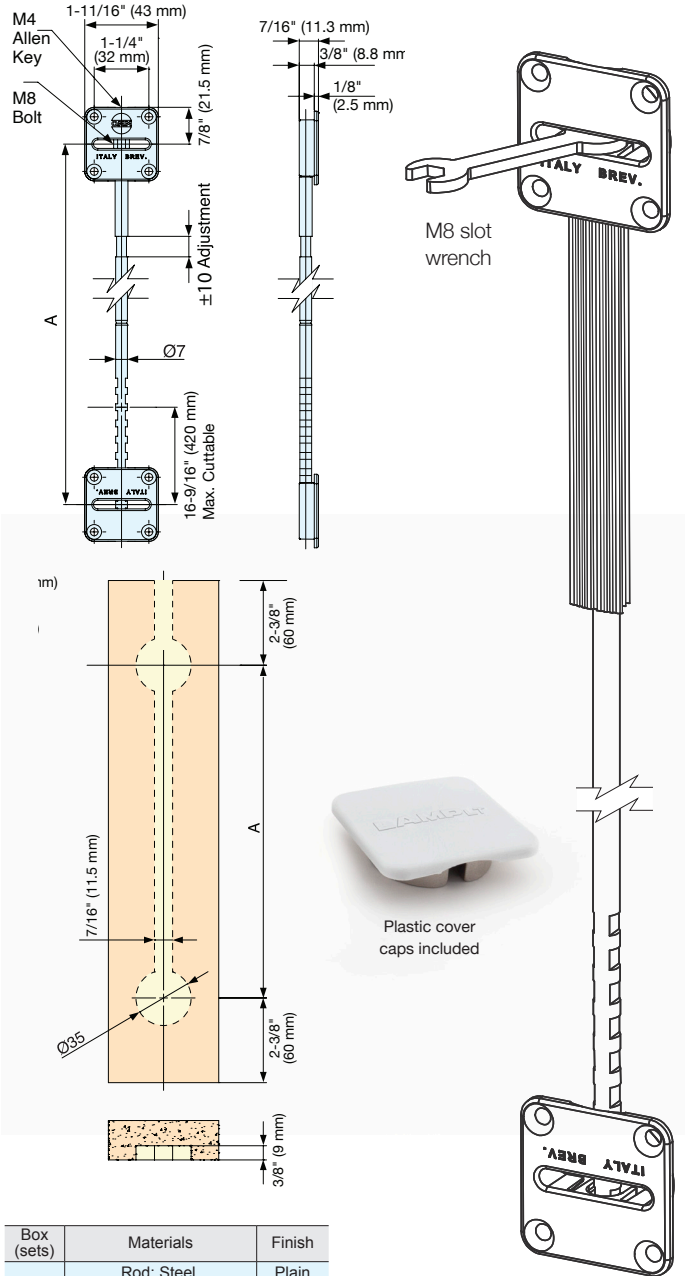
DSR701-RECESSED/SURFACE

- Installed post-production to fix warped doors.
- Must run complete height of door.
- Can be partially recessed or surface mounted to the back of the door.
- ±10mm adjustment can be made from the top of the door with a M4 Allen Key (not included).
- Min. door thickness 16 mm (9/16").
- Requires M4 (U.S. #8) flathead wood countersunk screws for partially recessed installation or wood panhead screws for surface installation.
- Can be cut from the bottom up to 400mm.
- Note: Sold in Boxes of 10 sets.



DSR213-RECESSED

- Installed at time of production to prevent door from warping.
- Adjustors installed 60 mm from the top and bottom of the door.
- Partially Recessed Door Straightener with Cover Caps.
- ±10 mm adjustment can be made from the back of the door with a M8 slot wrench (not included).
- Min. door thickness 16 mm (5/8")
- Requires 8 M4 (U.S. #8) flathead contersunk wood screws for installation.
- Note: Sold in Boxes of 25 sets.



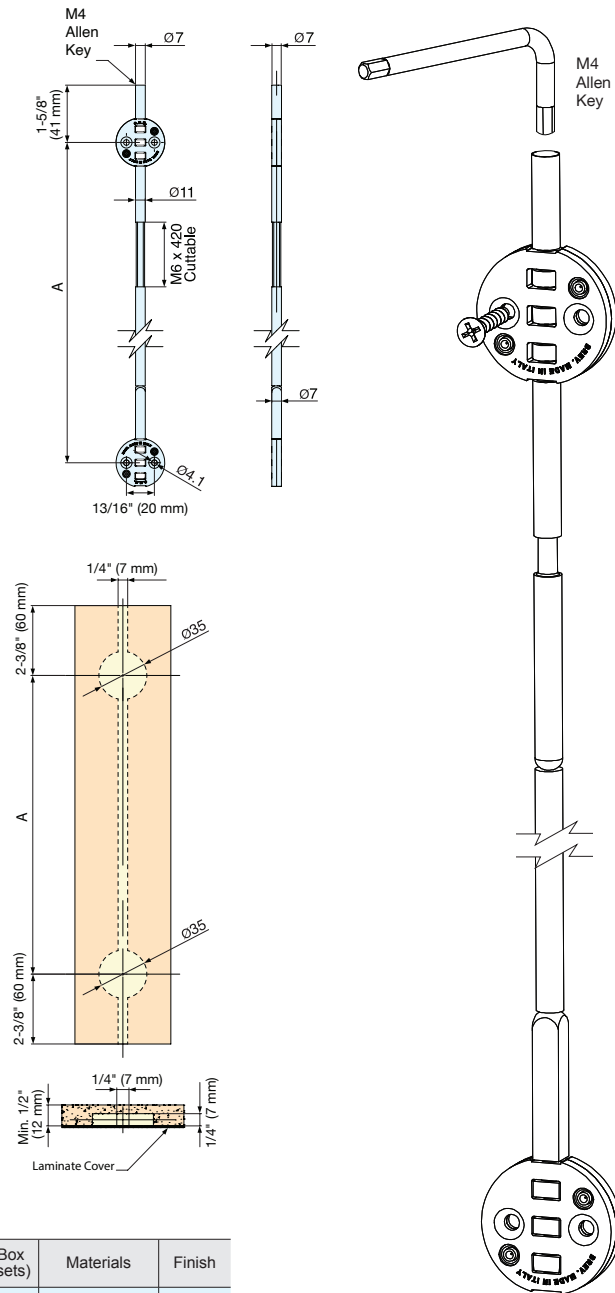
| Box (sets) | Materials | Finish |
|------------|----------------------------------|--------|
| 25 | Rod: Steel, | Plain |
| | Adjuster: Zinc | Nickel |
| | Covers: PVC Plastic, PPT Plastic | White |

| Item No. | Min. Door Thickness | Adjust (mm) | Length Min-Max (A) | Box (sets) | Materials | Finish |
|------------------|---------------------|-------------|---------------------|------------|-----------------------------------|--------|
| DSR701-1830/B-10 | 5/8" | ± 3/8" | 56-5/16" ~ 72-1/16" | 10 | Rod: Steel Casing: Aluminum | Black |
| DSR701-1830/S-10 | | | | | | Silver |
| DSR701-2200/B-10 | | | 70-7/8" ~ 86-5/8" | | | Black |
| DSR701-2200/S-10 | | | | | | Silver |

| Item No. | Min. Door Thickness | Adjust | Center Distance (A) | Door Length |
|----------------|---------------------|--------|---------------------|----------------------|
| DSR213-1524-25 | 5/8" | ± 3/8" | 43-7/16" ~ 60" | 48-3/16" ~ 64-3/4" |
| DSR213-1930-25 | | | 59-7/16" ~ 76" | 64-3/16" ~ 80-11/16" |
| DSR213-2330-25 | | | 75-3/16" ~ 91-3/4" | 79-15/16" ~ 96-7/16" |
| DSR213-2700-25 | | | 89-3/4" ~ 106-5/16" | 94-1/2" ~ 111" |

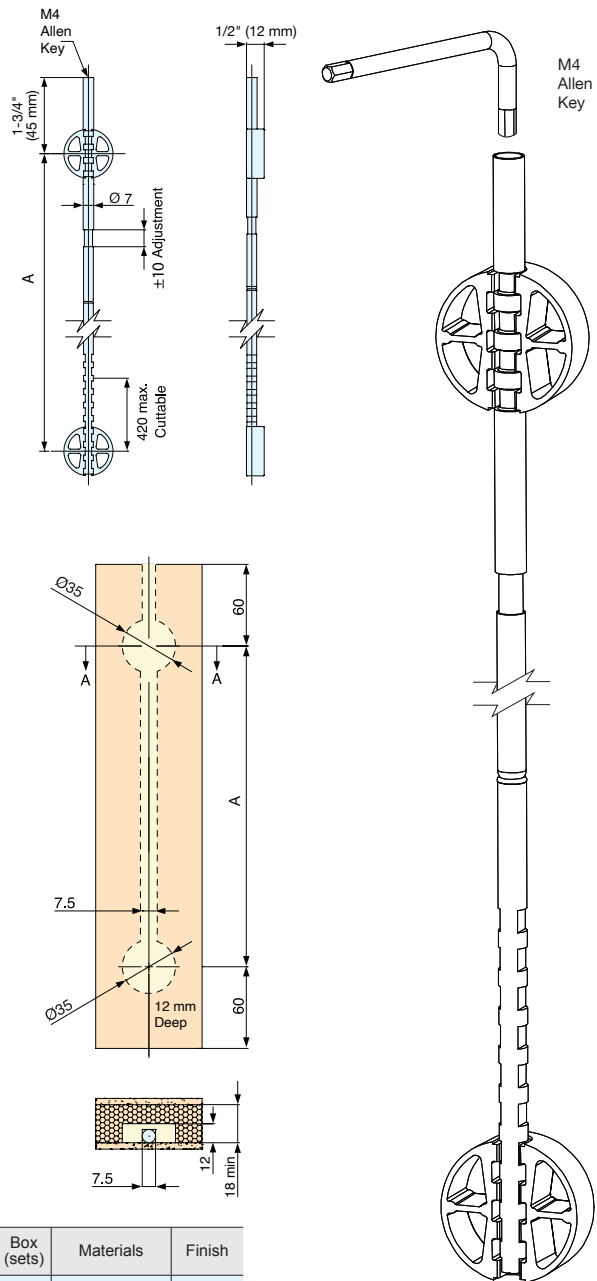
DSR423-CONCEALED

- Installed at time of production to prevent door from warping.
- Adjustors installed 60 mm from the top and bottom of the door.
- Fully concealed/hidden door straightener. Recessed mounted under laminate.
- ± 10 mm adjustment can be made from the top of the door with a M4 Allen Key (not included).
- Min. door thickness 12mm (1/2").
- Optional mounting holes to secure door straightener to door using 4 M4 (U.S. #8) flathead countersunk wood screws.
- Note: Sold in Boxes of 25 sets.



DSR403-CONCEALED

- Installed at time of production to prevent door from warping.
- Adjustors installed 60 mm from the top and bottom of the door.
- Fully Concealed/Hidden Door Straightener. Recess mounted under laminate.
- ± 10 mm adjustment can be made from the top of the door with a M4 Allen Key (not included).
- Min. door thickness 18mm (11/16").
- Pressure-fit into place, screws not needed for installation.
- Note: Sold in Boxes of 25 sets.



| Box (sets) | Materials | Finish |
|------------|----------------|--------|
| 25 | Rod: Steel | Plain |
| | Adjuster: Zinc | Nickel |

| Box (sets) | Materials | Finish |
|------------|----------------|--------|
| 25 | Rod: Steel | Plain |
| | Adjuster: Zinc | Nickel |

| Item No. | Min. Door Thickness | Adjust | Center Distance (A) | Door Length |
|----------------|---------------------|-------------|---------------------|----------------------|
| DSR423-1524-25 | 1/2" | $\pm 3/8$ " | 43-7/16" ~ 60" | 48-3/16" ~ 64-3/4" |
| DSR423-1930-25 | | | 59-7/16" ~ 176" | 64-3/16" ~ 80-11/16" |
| DSR423-2300-25 | | | 74" ~ 90-9/16" | 78-3/4" ~ 95-1/4" |
| DSR423-2700-25 | | | 89-3/4" ~ 106-5/16" | 94-1/2" ~ 111" |

| Item No. | Min. Door Thickness | Adjust | Center Distance (A) | Door Length |
|----------------|---------------------|-------------|---------------------|----------------------|
| DSR403-1524-25 | 11/16" | $\pm 3/8$ " | 43-7/16" ~ 60" | 48-3/16" ~ 64-3/4" |
| DSR403-1930-25 | | | 59-7/16" ~ 176" | 64-3/16" ~ 80-11/16" |
| DSR403-2300-25 | | | 74" ~ 90-9/16" | 78-3/4" ~ 95-1/4" |
| DSR403-2700-25 | | | 89-3/4" ~ 106-5/16" | 94-1/2" ~ 111" |