

CENTRIFUGAL PUMPS

CTJ SERIES

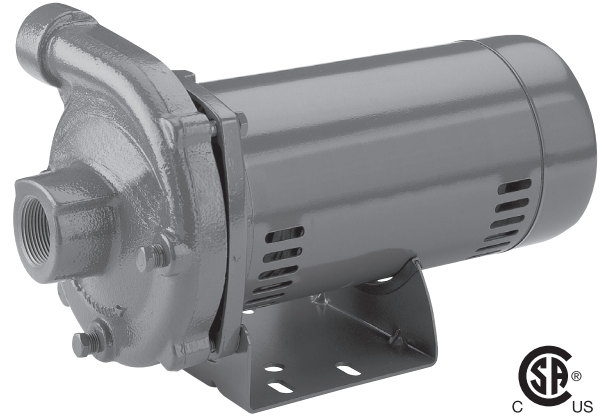
The CTJ series pumps feature heavy duty cast iron construction and are offered in high head models, with Noryl or silicon bronze impellers.

APPLICATIONS

Water systems and sprinkling for homes, farms, and industry.

FEATURES

- ◆ **1/2 HP through 2-1/2 HP:** High head models, heavy-duty motors, easy serviceability, and four-position discharge.
- ◆ **Drain Port:** Provided for easy winterizing.
- ◆ **Performance Range:** Up to 150' of head, with capacities to over 100 gpm.
- ◆ **Easy Serviceability:** All models feature a replaceable wear ring, and a back pull-out design.
- ◆ **CTJ Series - Noryl Impellers:** Abrasion resistant for normal applications and working temperatures to 140 F.
- ◆ **CTB Series - Silicon Bronze Impellers:** Include shaft seals rated for working temperatures to 225 F.



SPECIFICATIONS

- ◆ **Volute and Seal Plate:** Close-grained cast iron.
- ◆ **Impellers:** **CTJ Series** = Noryl®; **CTB Series** = silicon bronze.
- ◆ **Base Plate:** 12 gauge stamped steel.
- ◆ **Motor Shaft:** 300 series stainless steel.
- ◆ **Mechanical Seal:** Carbon ceramic faces, BUNA N® cup and bellows.

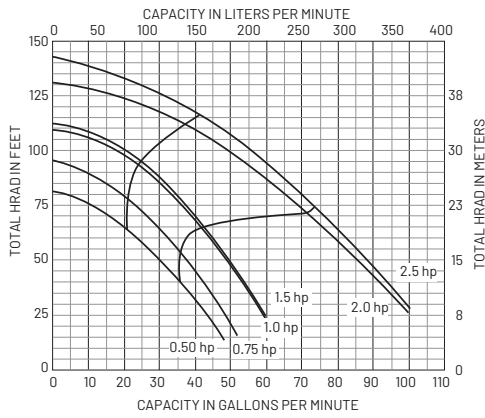
ORDERING INFORMATION

CATALOG NUMBER	HP	SUCTION	DISCHARGE	IMPELLER MATERIAL	PHASE
CTJ05	1/2	1-1/4"	1"	Composite	1
CTJ053		1-1/4"	1"	Composite	3
CTJ05B		1-1/4"	1"	Silicon Bronze	1
CTJ05B3		1-1/4"	1"	Silicon Bronze	3
CTJ07	3/4	1-1/4"	1"	Composite	1
CTJ073		1-1/4"	1"	Composite	3
CTJ07B		1-1/4"	1"	Silicon Bronze	1
CTJ07B3		1-1/4"	1"	Silicon Bronze	3
CTJ10	1	1-1/4"	1"	Composite	1
CTJ103		1-1/4"	1"	Composite	3
CTJ10B		1-1/4"	1"	Silicon Bronze	1
CTJ10B3		1-1/4"	1"	Silicon Bronze	3
CTJ15	1-1/2	1-1/4"	1"	Composite	1
CTJ153		1-1/4"	1"	Composite	3
CTJ15B		1-1/4"	1"	Silicon Bronze	1
CTJ15B3		1-1/4"	1"	Silicon Bronze	3
CTJ20	2	1-1/2"	1-1/2"	Composite	1
CTJ203		1-1/2"	1-1/2"	Composite	3
CTJ20B		1-1/2"	1-1/2"	Silicon Bronze	1
CTJ20B3		1-1/2"	1-1/2"	Silicon Bronze	3
CTJ25	2-1/2	2"	1-1/2"	Composite	1
CTJ253		2"	1-1/2"	Composite	3
CTJ25B		2"	1-1/2"	Silicon Bronze	1
CTJ25B3		2"	1-1/2"	Silicon Bronze	3

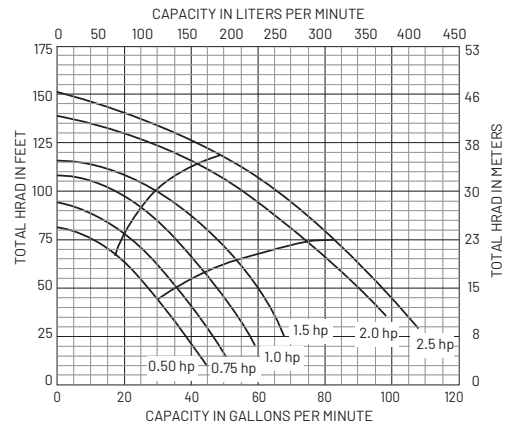
CENTRIFUGAL PUMPS CTJ SERIES

PUMP PERFORMANCE

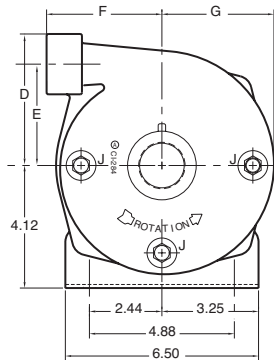
HIGH HEAD, SILICON BRONZE IMPELLER



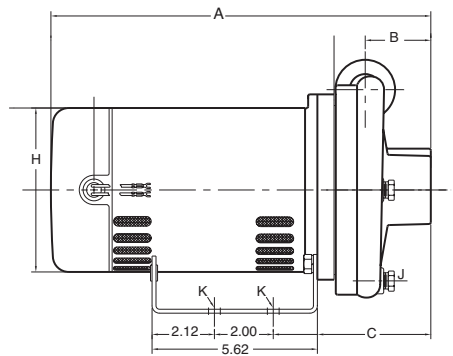
HIGH HEAD, NORYL® IMPELLER



OUTLINE DIMENSIONS



Dimensions (in inches) are for estimating purposes only.



DIMENSIONS (IN INCHES)

HP	NPT SUCT.	NPT DISCH.	A		B	C	D	E	F	G	H	NPT J	K
			(1 PHASE)	(3 PHASE)									
1/2	1-1/4	1	11-21/32	13-3/8	2-1/16	5-9/16	4-1/2	3-7/16	3-7/8	3-15/16	5-5/8	1/4	3/8 Dia.
3/4	1-1/4	1	11-25/32	13-3/8	2-1/16	5-9/16	4-1/2	3-7/16	3-7/8	3-15/16	5-5/8	1/4	3/8 Dia.
1	1-1/4	1	12-25/32	13-7/8	2-1/16	5-9/16	4-1/2	3-7/16	3-7/8	3-15/16	5-5/8	1/4	3/8 Dia.

Tested and rated in accordance with Water Systems Council Standards.

Note: Pumps installed with a Pro-Source tank required a 100 PSI relief valve. Pumps with a conventional tank require a 75 PSI relief valve. Relief valve must be capable of relieving entire flow of pump at relief pressure.



293 Wright Street
Delavan, WI 53115
Ph: 866.973.6835
Fx: 800.426.9446

490 Pinebush Rd., Unit 4
Cambridge, Ontario
Canada N1T 0A5
Ph: 800.363.7867
Fx: 888.606.5484

pentair.com

All indicated Pentair trademarks and logos are property of Pentair. Third party registered and unregistered trademarks and logos are the property of their respective owners. Because we are continuously improving our products and services, Pentair reserves the right to change specifications without prior notice. Pentair is an equal opportunity employer. Noryl® is a registered trademark of SABIC Global Technologies B.V. Buna N® is the registered trademark of Pittway Corporation, Chicago, IL. ©2022 Pentair. All Rights Reserved.