

TEE WALL WASHER

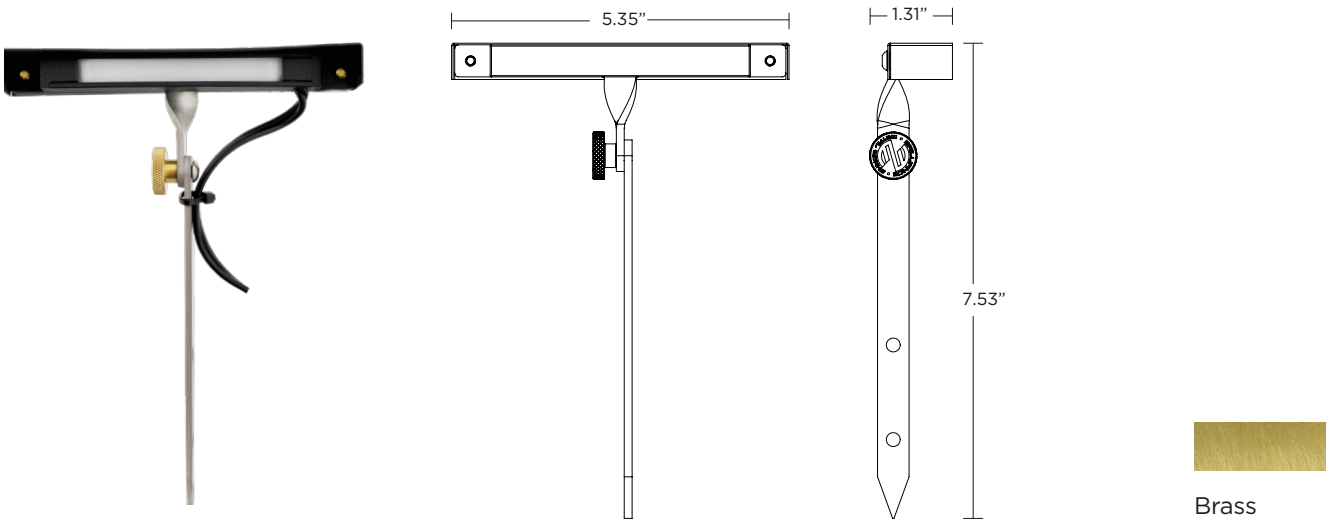


DESCRIPTION

The Tee Wall Washer Light features the Brilliance Metal Works adjustment system which allows articulation of the knuckle. For ease of installation, the power cable comes zip tied to the ground stake. Dimmable with Brilliance Dimmer and most magnetic transformers. Light source UL Certified E511083.

TEE WALL WASHER

Use	Up Lighting/Back Lighting & Grazing Low Profile Pathway Lighting
Finish	Brass, Copper, or Brass w/ Black Cerakote®
Includes	LightingShrink Professional Crimp and Heat Shrink Cable Connector
Integrated Lamp	Small Light Bar - 1.5W, Amber, CRI 85, IP65, 8-15VAC, 1.67VA, 5 year warranty TEE-WALL-WASHER-AMBER-BRASS TEE-WALL-WASHER-AMBER-COPPER TEE-WALL-WASHER-AMBER-BRASS-BLK



INSTALLING THE FIXTURE

1. Dig a hole in the ground approximately 1" wide by 4" deep.
2. Insert the built-in stake into the hole and aim the fixture in the preferred direction and angle.
3. For soft soil, gently push the stake into the ground.
4. Lay the power cable from the fixture into the existing cable trench and use the LightingShrink cable connector to join the fixture cable to the main cable.

UNDER REVIEW FOR WILDLIFE LIGHTING CERTIFICATION PROGRAM

Light Source (Amber Light Bar) approved under Certification Number 2019-270

The Wildlife Lighting Certification Program has been suspended since 2020 due to COVID-19 and remains closed at the time of this publication. This item has been submitted to be reviewed when the program resumes.

