

OZARK

Soft Accent Light

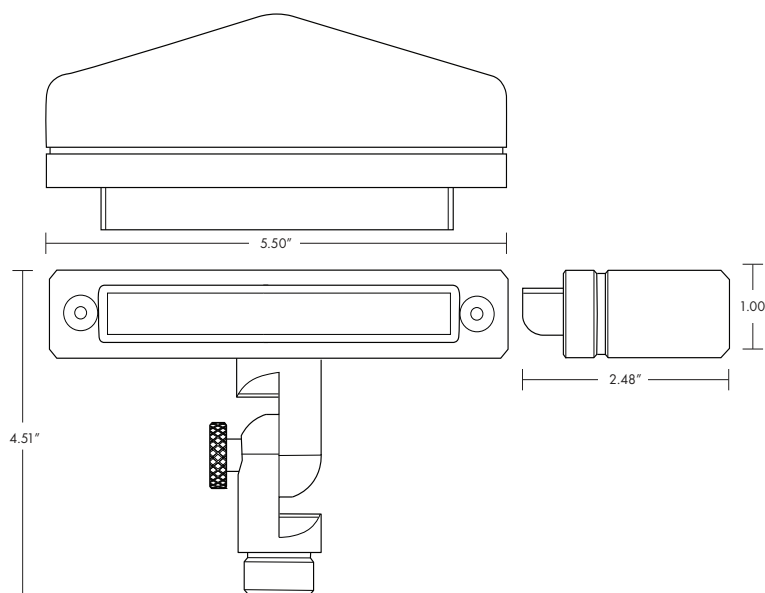


DESCRIPTION

The Ozark Soft Accent Light has an integrated Small Light Bar. It features a glare shield, as well as the Brilliance Metal Works signature adjustment system, which allows for 22 points of articulation of the knuckle in 10 degree increments. Dimmable with Brilliance Dimmer and most magnetic transformers. Light Source UL Certified E511083.

OZARK SOFT ACCENT LIGHT

| | |
|-----------------|---|
| Use | Uplighting, Grazing, and Backlighting Techniques Best for Low Level Wall Wash Techniques |
| Finish | Aluminum w/ Black Cerakote® |
| Includes | ABS Mounting Stake, LightingShrink Professional Crimp, and Heat Shrink Cable Connector |
| Warranty | 10 Year Warranty on Aluminum Fixtures |
| Integrated Lamp | Small Light Bar - 1.5W, 2700K, 110 Lumens, CRI 85, IP65, 8-15VAC, 1.67VA, 5 year warranty OZARK-SAL-SLB-2700-AL-BLK |
| | Small Light Bar - 1.5W, 3000K, 110 Lumens, CRI 85, IP65, 8-15VAC, 1.67VA, 5 year warranty OZARK-SAL-SLB-3000-AL-BLK |



Aluminum + Black Cerakote®
(AL-BLK)



OZARK-SAL-SLB-2700-AL-BLK

SOFT SOIL APPLICATIONS: INSTALLING THE GROUND STAKE & FIXTURE

1. Connect the power cable from the fixture body to the landscape cable.
2. Lay the power cable into the slotted relief on the stake.
3. Press the fixture and stake into the ground.
4. Use a level to ensure the top of the stake is level with the ground.

HARD SOIL APPLICATIONS: INSTALLING THE GROUND STAKE & FIXTURE

1. Unscrew the fixture body from the stake.
2. Dig a hole approximately 4" wide by 10" deep and gently tap the stake into the ground with a rubber mallet.
3. Use a level to ensure the top of the stake is level with the ground.
4. Reinstall the fixture body onto the stake and lay the power cable into the slotted relief on the stake.
5. Connect the power cable from the fixture body to the landscape cable.

ADJUSTING THE FIXTURE

1. Turn the thumbnut counter-clockwise to loosen the knuckle.
2. Rotate the fixture vertically to the preferred position.
3. Turn the thumbnut clockwise to hold it in the preferred position. Adjusting the fixture allows for dark sky ordinance applications.