

MICRO G4 AMBER



DESCRIPTION

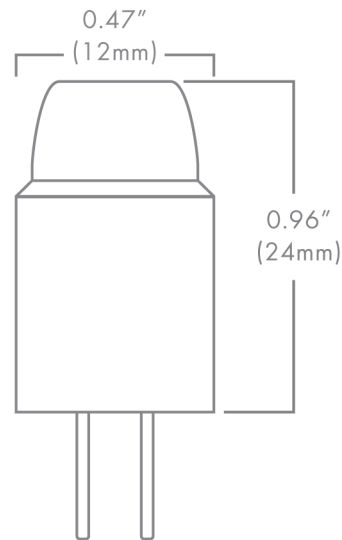
The Brilliance Micro G4 Bi-Pin is a sub-compact LED that features Brilliance's omni-directional beam pattern. This Micro G4 Bi-Pin is energy efficient and water resistant. It is designed specifically for landscape retrofit applications and is ideal for pathway lighting fixtures. Dimmable with Brilliance Dimmer and most magnetic transformers. Suitable for damp locations and for use in totally enclosed luminaires. Not for underwater use.

FEATURES

- Ceramic technology
- UL Certified E360351

MICRO G4 SPECS

| | |
|-------------------|-------------------------|
| Wattage | 1.2 |
| Volt Amps | 1.52 |
| Beam Spread | Omni-directional |
| Color | Amber |
| Operating Range | 8-14 VAC/DC |
| CRI | 85 |
| IP | 65 |
| Lamp Life (hours) | 35,000 |
| Warranty (years) | 5 |



Part Number: **BRI-MICRO-G4-XXXX**

↓
Kelvin/Color



WILDLIFE LIGHTING CERTIFICATION PROGRAM

Certification Number: 2018-036

Certification Requirements: Must be installed in a low mounted, downward directed and shielded fixture

