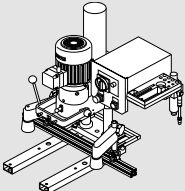
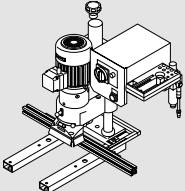
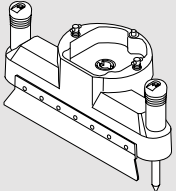
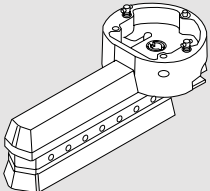
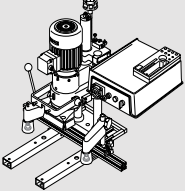
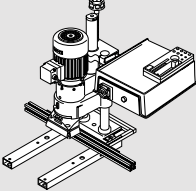


# MINIPRESS / MINIDRILL spare parts

For machines manufactured before 01/2007

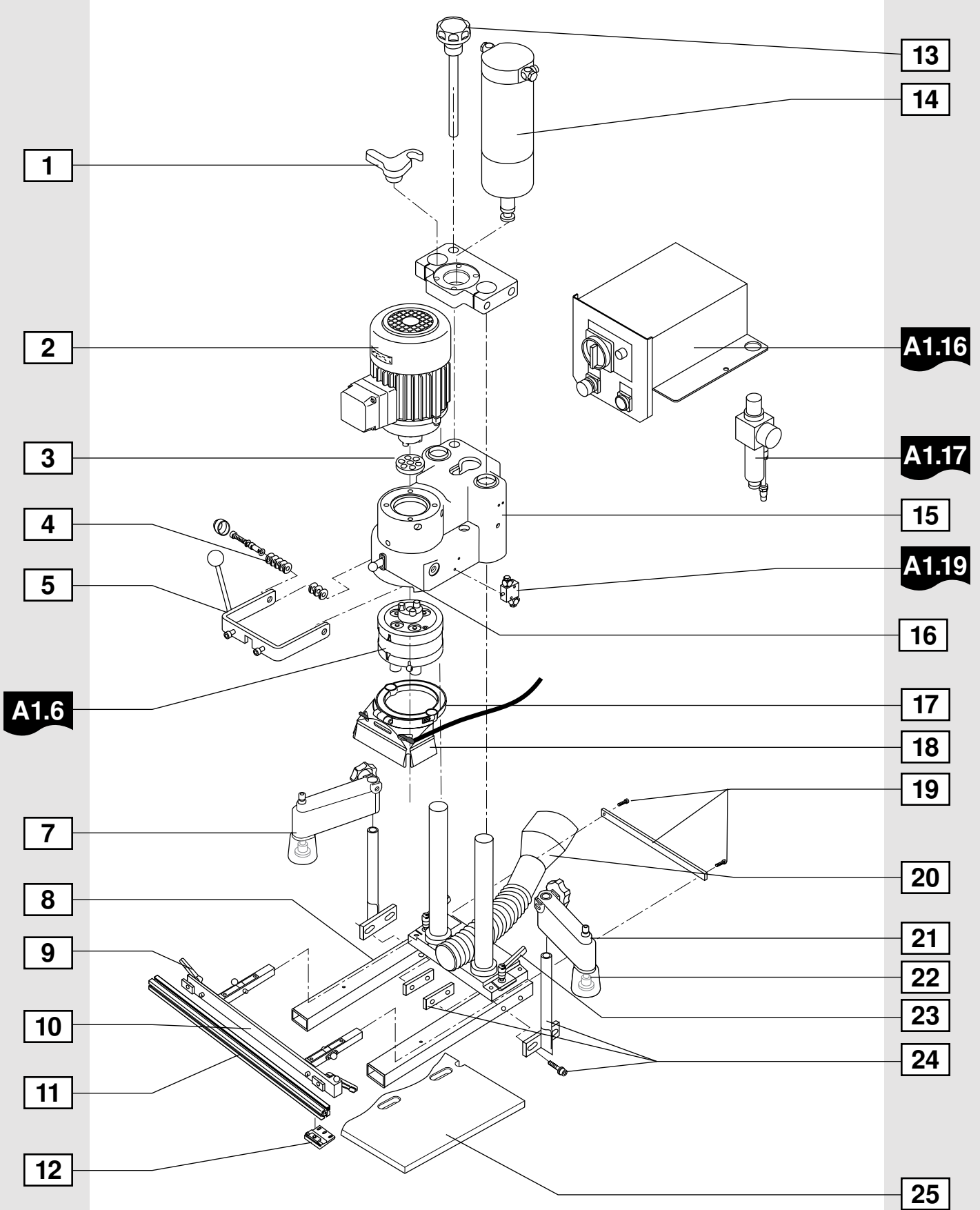
# Machines and attachments

| Machine   | Machine type   | Section   |
|---|--|-----------|
|    | <b>MINIPRESS</b><br>Serial num: EA, FA, GA                     | <b>A1</b> |
|    | <b>MINIDRILL</b><br>Serial num: EM, FM, GM                     | <b>A2</b> |
|   | <b>7-Spindle head (MZK.1000)</b><br>Serial num: AA, AB, CD, EA | <b>B1</b> |
|  | <b>8-Spindle head (MZK.8000)</b><br>Serial num: CD, CK         | <b>B2</b> |
|  | <b>MP 91</b><br>Serial num: CD, CF, CG                         | <b>A5</b> |
|  | <b>MD 93</b><br>Serial num: AA                                 | <b>A6</b> |

## ATTENTION:

This catalogue is not intended as a substitute for the instruction manual for the equipment or parts which are described. Any use, repair, maintenance, or replacement of parts of this machinery should only be done in accordance with the specific instructions and warnings contained in the operator's manual. That manual should be fully read, understood, and complied with by all persons who are using or servicing this machinery.

THE MANUAL AND THE MACHINERY CONTAIN WARNINGS AND INSTRUCTIONS WHICH MUST BE FOLLOWED. FAILURE TO FOLLOW THE WARNINGS AND INSTRUCTIONS COULD RESULT IN SERIOUS PERSONAL INJURY OR DAMAGE TO THE MACHINERY OR OTHER PROPERTY.



# Parts list

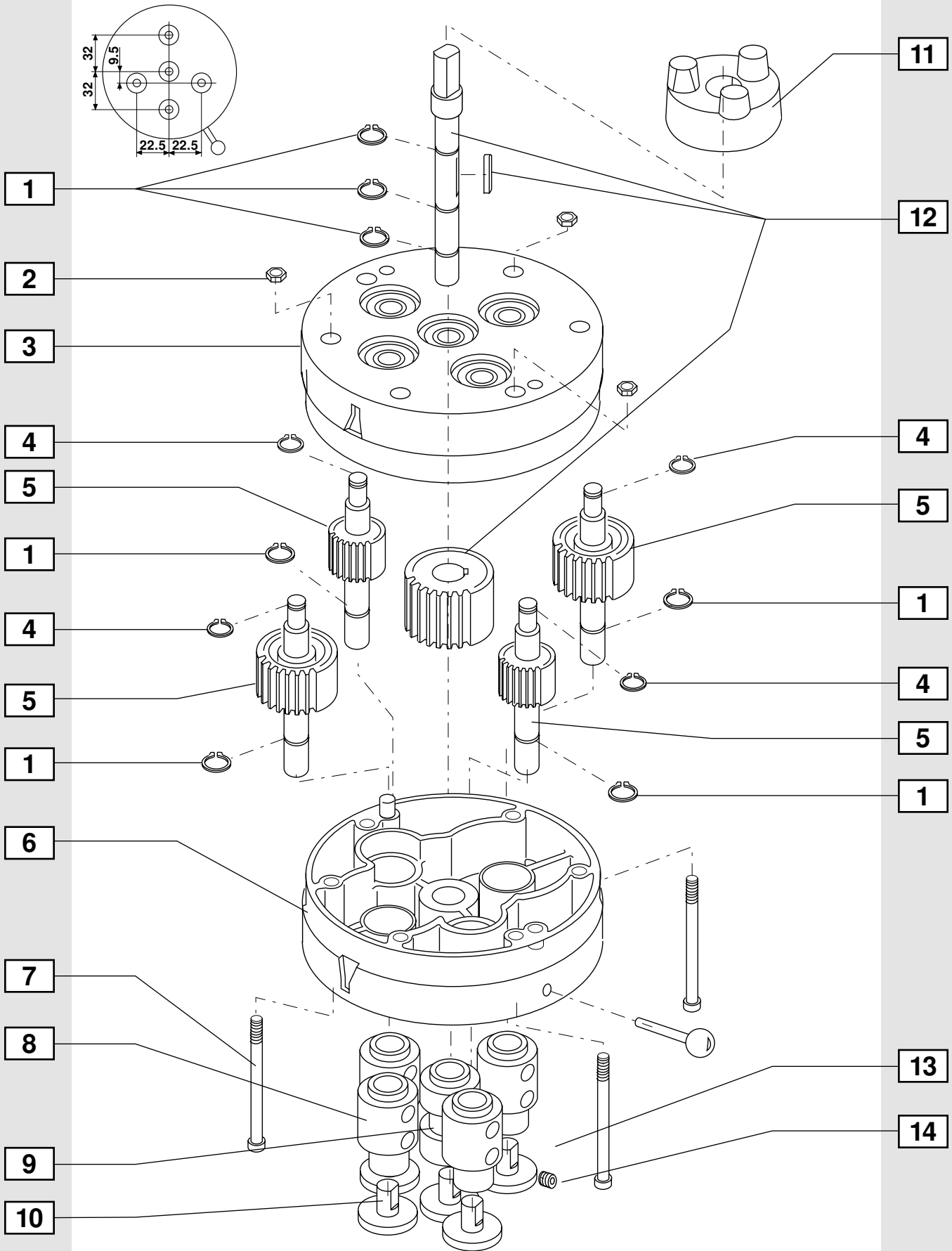
| Drawing #    | ID number | Item description  |
|--------------|-----------|---|
| 1            | 09029224  | Depth gauge for M51P10xx MINIPRESS  |
| 2            | 03244009  | Motor (1-phase, 220v)   |
| 2            | 09235839  | Motor (3-phase, 220v or 460V)   |
|              | 09028921  | Capacitor for 1-phase motor (not pictured)                                    |
| 3            | 09054041  | Coupler ring (part of breakaway clutch)                                       |
| 4            | 06747614  | Swing arm mounting kit (V2)   |
| 5            | 06634764  | Swing arm   |
| <b>A1.6</b>  | 02502001  | Gearbox assembly M51P1303   |
| 7            | 09092049  | Hold down clamp, left hand  |
| 8            | 04228104  | Base frame of machine MB=23.5   |
| 9            | 06634170  | Clamping lever for left and right adjustment of ruler on fencing system       |
| 10           | 04228444  | Fencing system  |
| 11           | 06635734  | Ruler   |
| 12           | 07982584  | Ruler adjustment plate  |
| 13           | 03587634  | Depth adjustment screw  |
| 14           | 09094194  | Air cylinder for M51P10xx MINIPRESS   |
| <b>A1.16</b> |           | Control box assembly  |
| <b>A1.17</b> | 09237050  | Air filter regulator unit for M51P10xx machines                               |
| 15           | 04399339  | Gearbox housing for M51P10xx MINIPRESS  |
| 16           | 09028234  | Fixing pin for drill head   |
| <b>A1.19</b> |           | Limit switch assembly   |
| 17           | 02566091  | Protective safety shield for the drill bits on the machines (entire assembly) |
| 18           | 01885811  | Plastic safety shield (plastic portion)                                       |
| 19           | 07975454  | Fence brace bar with M6x10 bolts  |
| 20           | 04399500  | Vacuum hose and adapter for M51P10xx machines                                 |
| 21           | 09092049  | Hold down clamp, right hand   |
| 22           | 09092281  | Hold down clamp pad with safety shield  |
| 23           | 06634090  | Clamp lever with plate (for depth adjustment)                                 |
| 24           | 09092594  | Hold down clamp support & plate (nut 70 x 20 x 6mm)                           |
| 25           | 06378581  | Work table  |
|              |           |   |

**1**

Denotes part number in drawing

**A1.2**

Denotes part number in drawing and links to auxiliary drawing



# Parts list

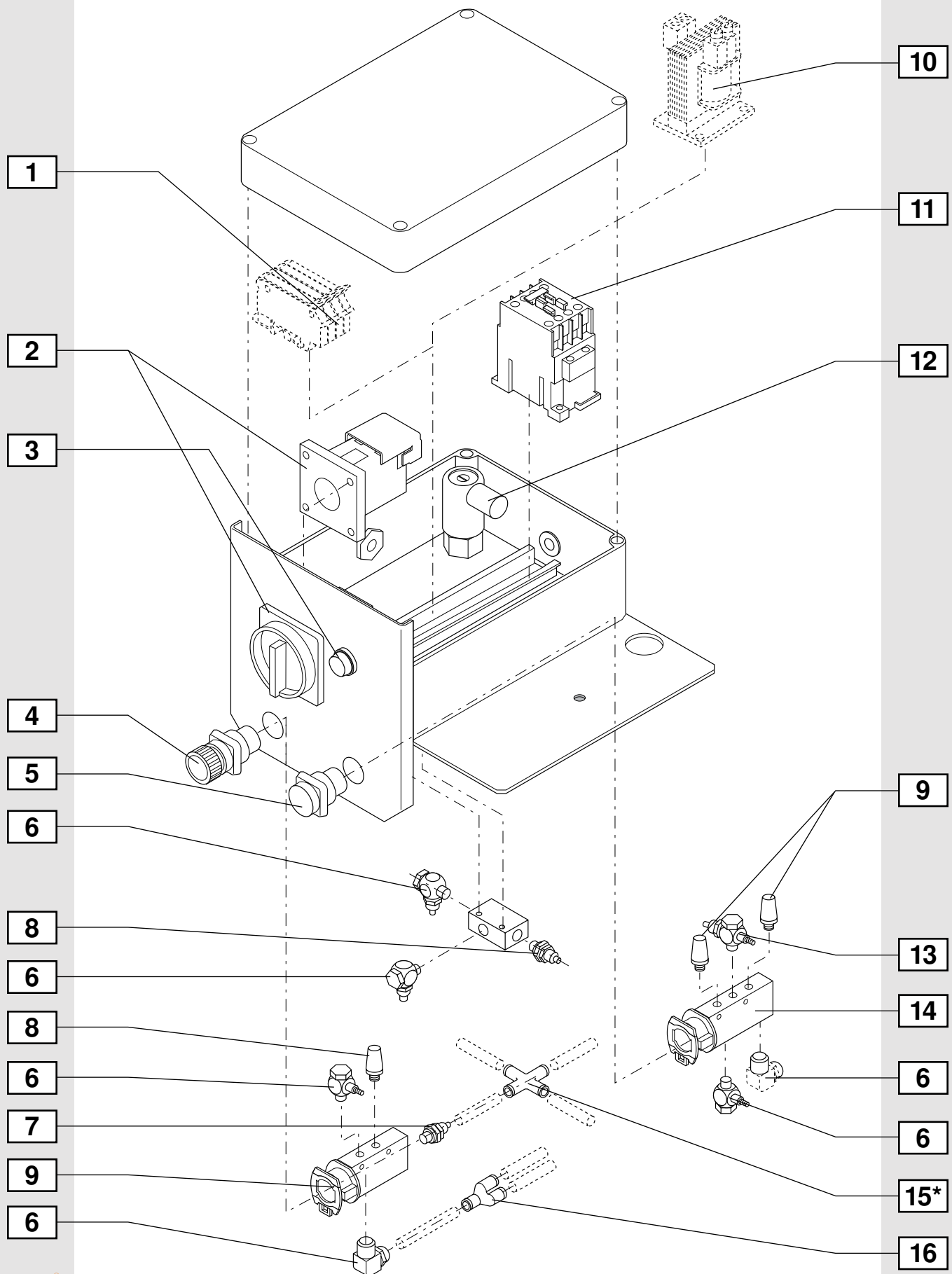
| Drawing # | ID number       | Item description                                     |
|-----------|-----------------|--|
| A1.6      | <b>02502001</b> | Gearbox assembly M51P1303                            |
| 1         | <b>08087178</b> | 10 x 1 snap ring                                     |
| 2         | <b>08086017</b> | M6 nut   |
| 3         | <b>06954324</b> | Top housing with bearings                            |
| 4         | <b>08086950</b> | 8 x 0.8 snap ring                                    |
| 5         | <b>07686894</b> | Gear spindle small (hinge) <b>(07686894 set)</b>     |
| 5         | <b>07686894</b> | Gear spindle large (line bore) <b>(07686894 set)</b> |
| 6         | <b>04650740</b> | Bottom housing with bearings                         |
| 7         | <b>06065297</b> | M6 x 60 bolt   |
| 8         | <b>01428164</b> | Left hand chuck                                      |
| 9         | <b>01428244</b> | Right hand chuck                                     |
| 10        | <b>06379801</b> | Cover cap for chuck                                  |
| 11        | <b>06960651</b> | Breakaway clutch (MZK.2009)                          |
| 12        | <b>04978017</b> | Center spindle kit                                   |
| 13        | <b>06643888</b> | M8 x 8 pointed set screw (for chuck)                 |
| 14        | <b>01886201</b> | M8 x 5 flat set screw (holds bit)                    |
|           | <b>05885980</b> | Bearing 6000-2RS (top center & bottom outer)         |
|           | <b>05885120</b> | Bearing 608-2RS (top small outer)                    |
|           | <b>08075915</b> | Bearing 5 NX 10 Z (bottom center)                    |
|           | <b>26151850</b> | Grease kluber GE 46-1200                             |
|           | <b>02262041</b> | Motor part of coupling                               |

**1**

Denotes part number in drawing

**A1.2**

Denotes part number in drawing and links to auxiliary drawing





# Parts list

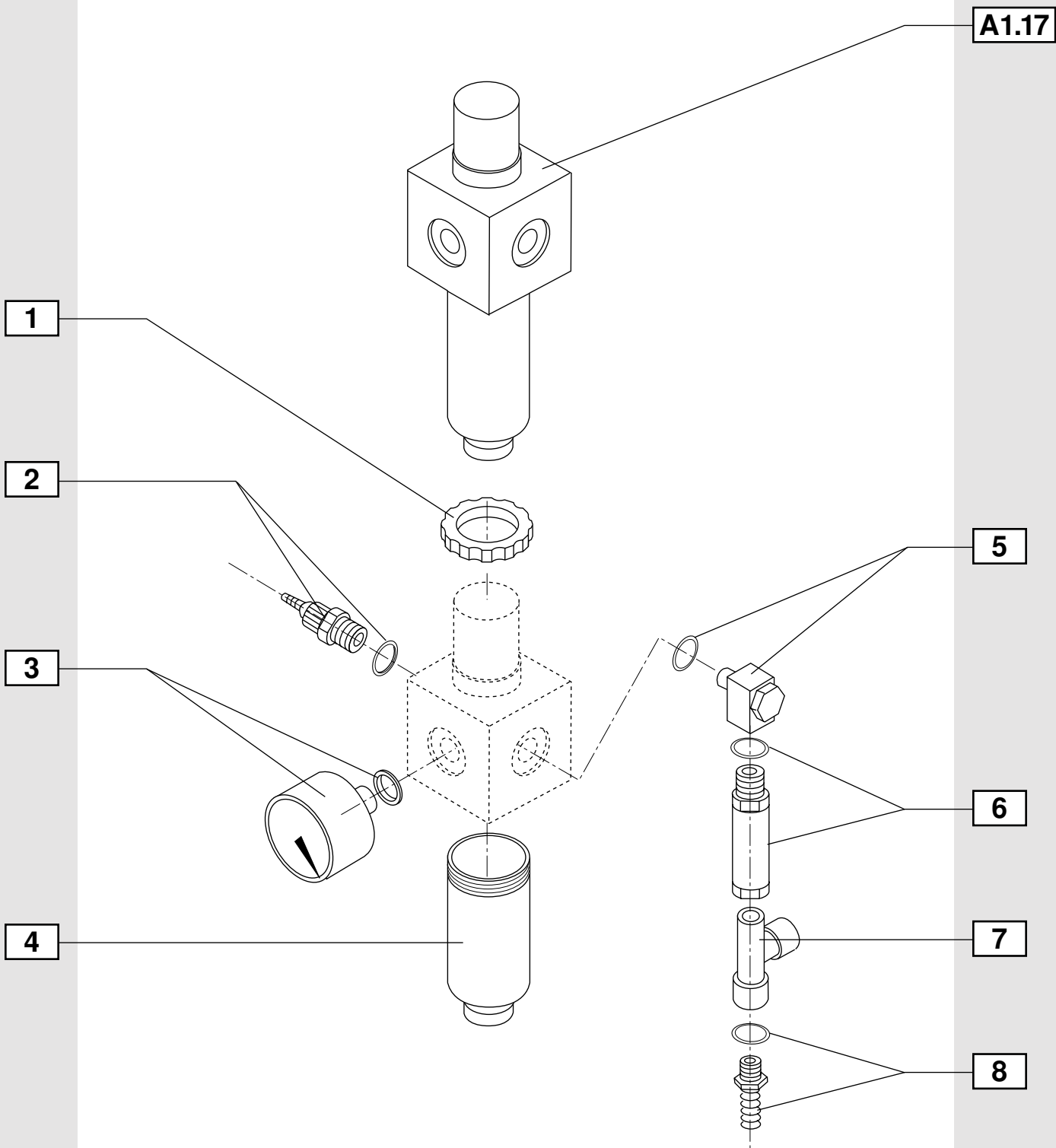
| Drawing # | ID number       | Item description   |
|-----------|-----------------|--|
| A1.16     |                 | Control box assembly   |
| 1         | <b>09194870</b> | Fuse holder for 220v M51P10xx Machines                                       |
| 2         | <b>04552380</b> | Mode switch for M51P10xx machines  |
| 3         | <b>09194320</b> | Indicator light assembly for mode on M51P10xx machines                       |
|           | <b>09194490</b> | Indicator light bulb for mode on M51P10xx machines                           |
| 4         | <b>09197914</b> | Push button for clamp valve on m51P10xx MINIPRESS                            |
| 5         | <b>09197844</b> | Push button for stroke valve on M51P10xx machines                            |
| 6         | <b>06450440</b> | Swivel elbow connector (G 1/8 x 6/4 hose)                                    |
| 7         | <b>03067840</b> | Straight connector for M51P10xx machines (G 1/8 x 6/4 hose)                  |
| 8         | <b>01802200</b> | Muffler G 1/8  |
| 9         | <b>09198380</b> | Clamp valve for M51P10xx MINIPRESS   |
| 10        | <b>05994850</b> | Transformer for 460v M51P10xx machines                                       |
| 11        | <b>09195240</b> | Motor contactor for M51P10xx machines  |
| 12        | <b>09194940</b> | Pressure switch for M51P10xx machines  |
|           | <b>09194940</b> | Connection adaptor for pressure switch on M51P10xx machines (not pictured)   |
|           | <b>09195000</b> | Cover for pressure switch on M51P10xx machines (not pictured)                |
| 13        | <b>03277744</b> | Swivel Tee connector (G 1/8 x 6/4 hose)                                      |
| 14        | <b>09198075</b> | Stroke valve for M51P10xx machines   |
| 15        | <b>03989860</b> | *Part no longer available - use two (2) "Y" quick connectors as listed below |
| 16        | <b>03073414</b> | "Y" quick connector for M51P10xx machines                                    |
|           | <b>09194560</b> | Fuse   |

**1**

Denotes part number in drawing

**A1.2**

Denotes part number in drawing and links to auxiliary drawing



# Parts list

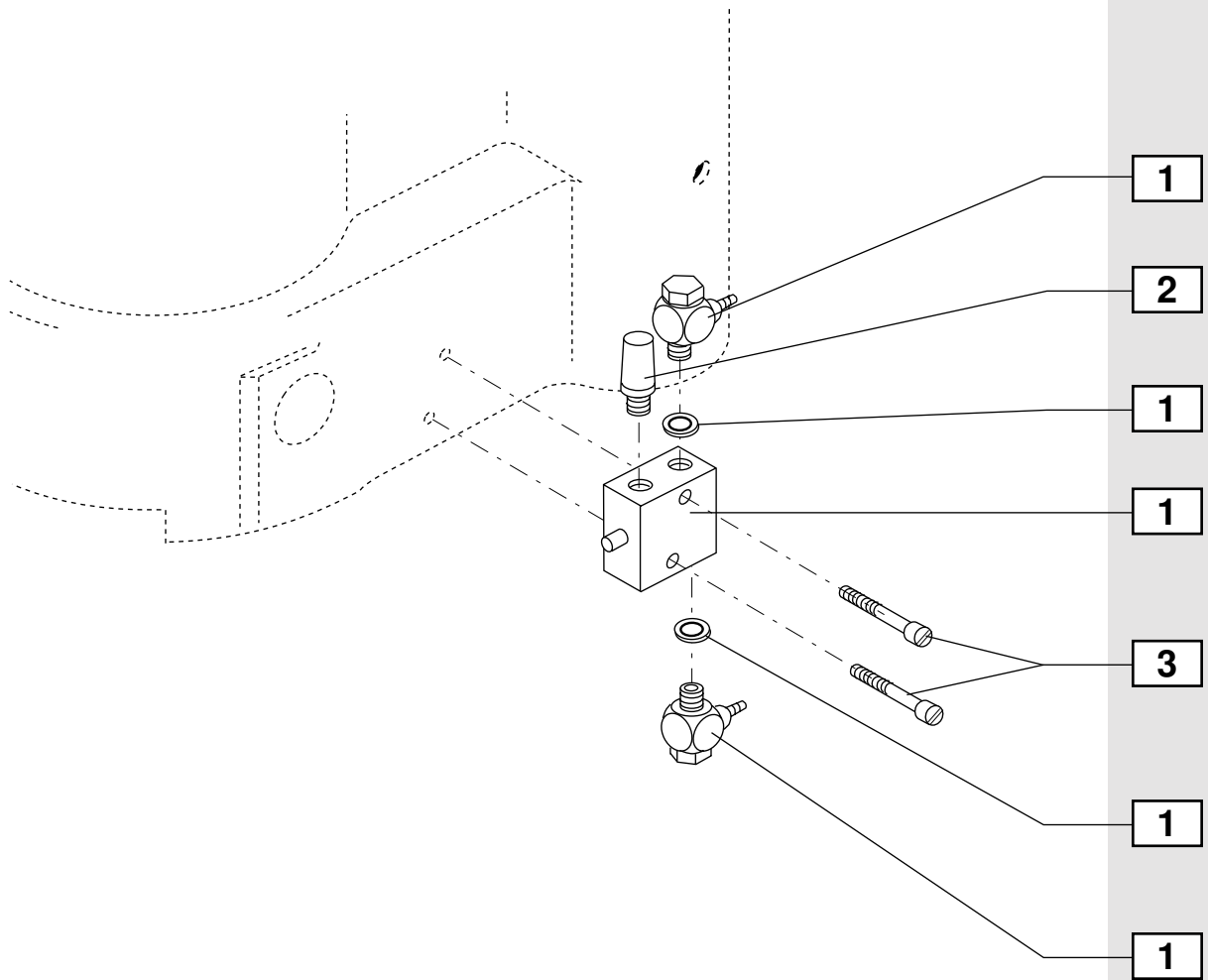
| Drawing # | ID number       | Item description  |
|-----------|-----------------|---|
| A1.17     | <b>09237050</b> | Air filter regulator unit for M51P10xx machines                     |
| 1         | <b>09237120</b> | Mounting nut for the air filter regulator unit on M51P10xx machines |
| 2         | <b>03067840</b> | Straight connector for M51P10xx machines (G 1/8 x 6/4 hose)         |
| 3         | <b>09237290</b> | Pressure gauge for filter regulator unit on M51P10xx machines       |
| 4         | <b>09237360</b> | Replacement filter bowl for M51P10xx machines                       |
| 5         | <b>01897310</b> | Swivel elbow connector block (G 1/8 x G 1/8)                        |
| 6         | <b>01799490</b> | Check valve (Bosch # 0 821 003 001)                                 |
| 7         | <b>03989270</b> | "T" connector for M51P10xx machines                                 |
| 8         | <b>01799810</b> | 1/4 barbed connector (straight connector) G 1/8 x 1/4 ID hose       |
|           |                 |   |

**1**

Denotes part number in drawing

**A1.2**

Denotes part number in drawing and links to auxiliary drawing



# Parts list

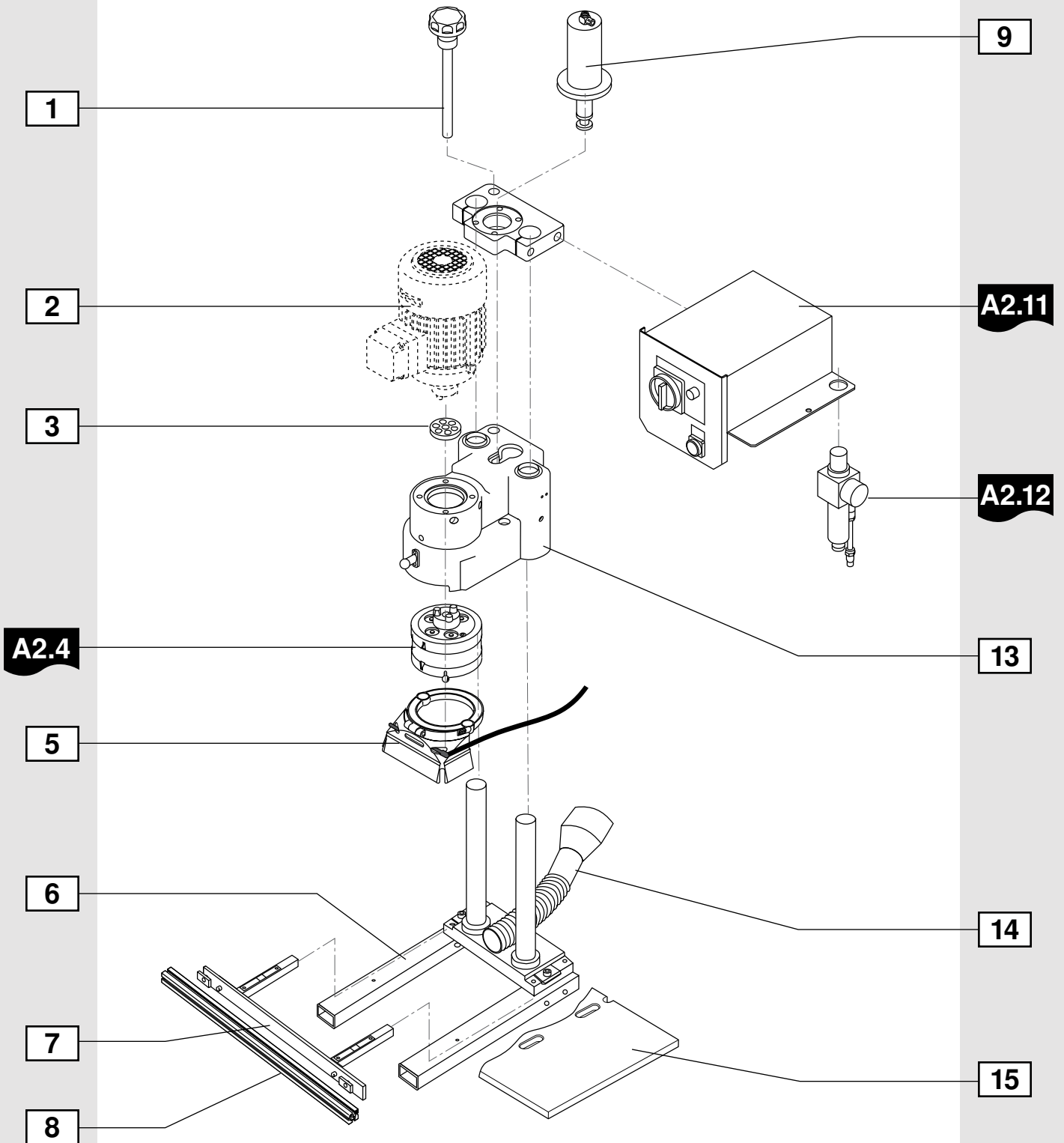
| Drawing # | ID number | Item description   |
|-----------|-----------|--|
| A1.19     |           | Limit switch assembly  |
| 1         | 09093890  | Swivel connector (Set that includes Seal ring and Swing arm valve (3/2 valve)) |
|           |           | Seal ring (Set that includes Swivel connector and Swing arm valve (3/2 valve)) |
|           |           | Swing arm valve (3/2 valve) (Set that includes Swivel connector and Seal ring) |
| 2         | 00949010  | Muffler  |
| 3         | 06064569  | M3 x 20mm bolt   |
|           |           |  |

**1**

Denotes part number in drawing

**A1.2**

Denotes part number in drawing and links to auxiliary drawing



# Parts list

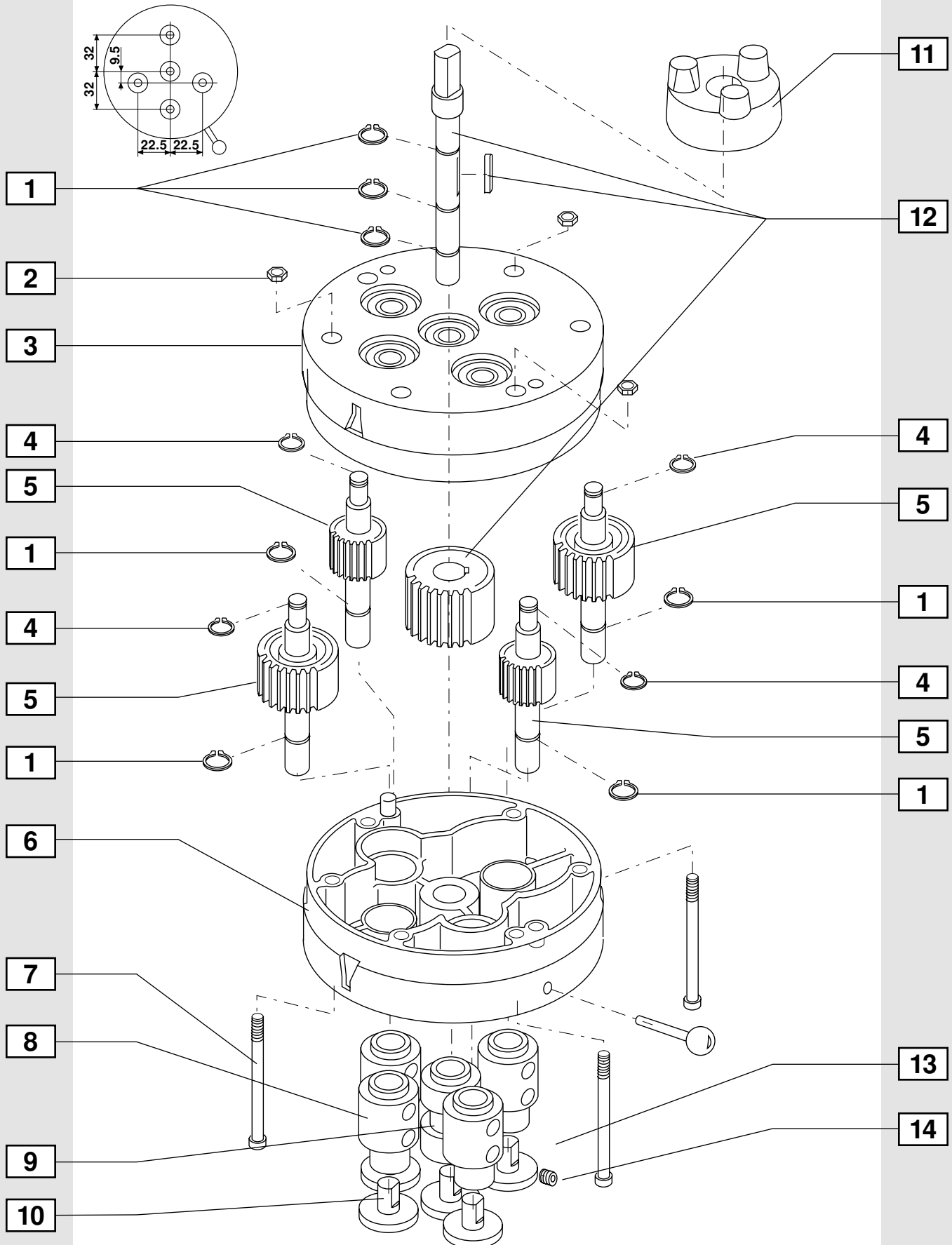
| Drawing #    | ID number | Item description  |
|--------------|-----------|---|
| 1            | 03587634  | Depth adjustment screw                                      |
| 2            | 03244009  | Motor (1-phase, 220v)                                       |
| 2            | 09235839  | Motor (3-phase, 220v or 440v)                               |
|              | 09028921  | Capacitor for 1-phase motor (not pictured)                  |
| 3            | 09054041  | Coupler ring (part of breakaway clutch)                     |
| <b>A2.4</b>  | 02502001  | Gearbox assembly M51P1303                                   |
| 5            | 02566091  | Protective safety shield for the drill bits on the machines |
| 5            | 01885811  | Plastic safety shield                                       |
| 6            | 04228104  | Base frame  |
| 7            | 04228444  | Fencing system  |
| 8            | 06635734  | Ruler   |
| 9            | 02546404  | Air cylinder for M51P10xx MINIDRILL                         |
| 10           |           | Discontinued  |
| <b>A2.11</b> |           | Control box assembly  |
| <b>A2.12</b> | 09237050  | Air filter regulator unit for M51P10xx machines             |
| 13           | 04399339  | Gearbox housing for M51P10xx MINIPRESS                      |
| 14           | 04399500  | Vacuum hose and adapter for M51P10xx machines               |
| 15           | 06378581  | Work table  |
|              |           |   |

**1**

Denotes part number in drawing

**A1.2**

Denotes part number in drawing and links to auxiliary drawing





# Parts list

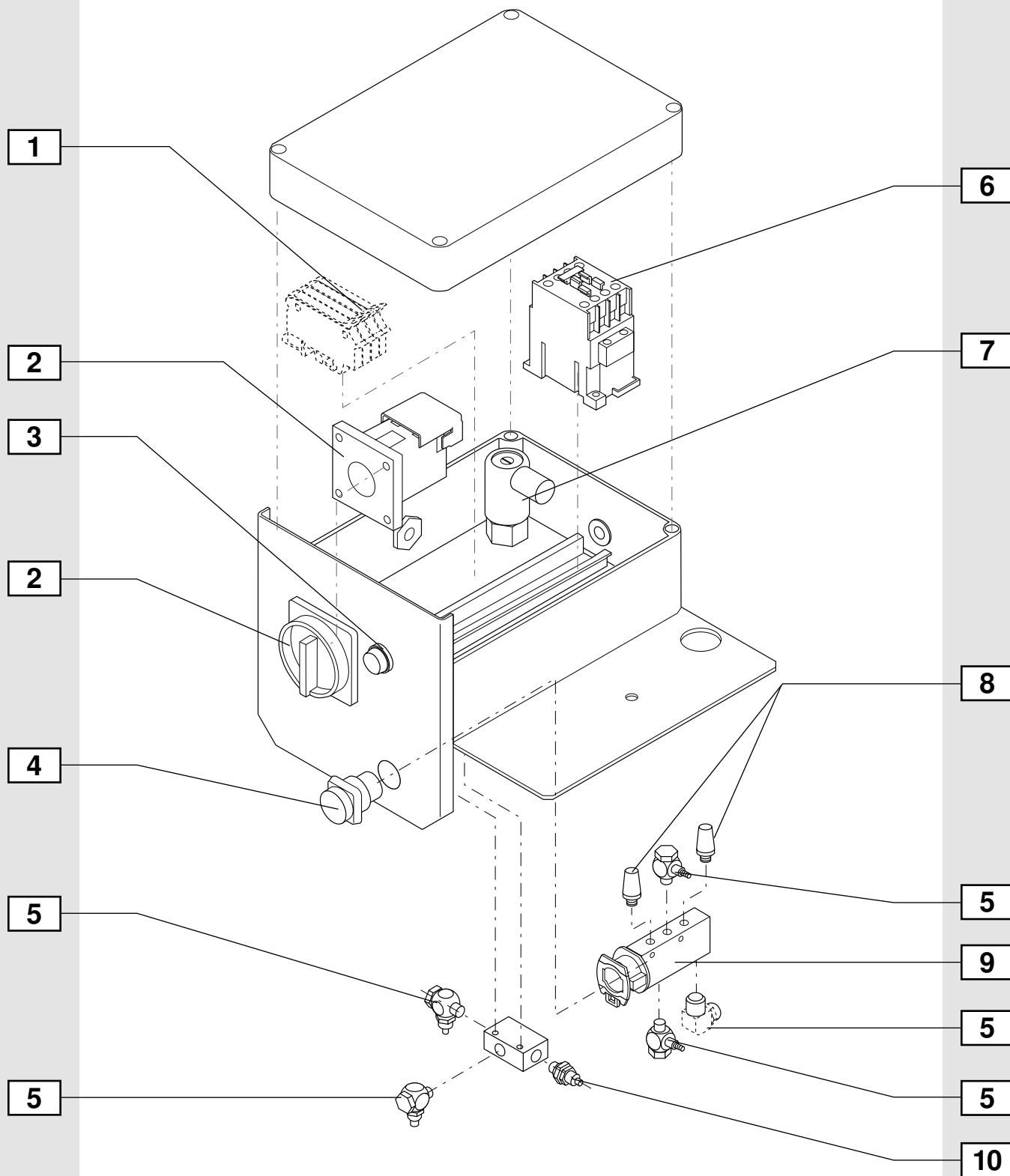
| Drawing # | ID number       | Item description                                     |
|-----------|-----------------|--|
| A2.4      | <b>02502001</b> | Gearbox assembly M51P1303                            |
| 1         | <b>08087178</b> | 10 x 1 snap ring                                     |
| 2         | <b>08086017</b> | M6 nut   |
| 3         | <b>06954324</b> | Top housing with bearings                            |
| 4         | <b>08086950</b> | 8 x 0.8 snap ring                                    |
| 5         | <b>07686894</b> | Gear spindle small (hinge) <b>(07686894 set)</b>     |
| 5         | <b>07686894</b> | Gear spindle large (line bore) <b>(07686894 set)</b> |
| 6         | <b>04650740</b> | Bottom housing with bearings                         |
| 7         | <b>06065297</b> | M6 x 60 bolt   |
| 8         | <b>01428164</b> | Left hand chuck                                      |
| 9         | <b>01428244</b> | Right hand chuck                                     |
| 10        | <b>06379801</b> | Cover cap for chuck                                  |
| 11        | <b>06960651</b> | Breakaway clutch (MZK.2009)                          |
| 12        | <b>04978017</b> | Center spindle kit                                   |
| 13        | <b>06643888</b> | M8 x 8 pointed set screw (for chuck)                 |
| 14        | <b>01886201</b> | M8 x 5 flat set screw (holds bit)                    |
|           | <b>05885980</b> | Bearing 6000-2RS (top center & bottom outer)         |
|           | <b>05885120</b> | Bearing 608-2RS (top small outer)                    |
|           | <b>08075915</b> | Bearing 5 NX 10 Z (bottom center)                    |
|           | <b>26151850</b> | Grease kluber GE 46-1200                             |
|           | <b>06379801</b> | Cover cap for chucks                                 |

**1**

Denotes part number in drawing

**A1.2**

Denotes part number in drawing and links to auxiliary drawing



# Parts list

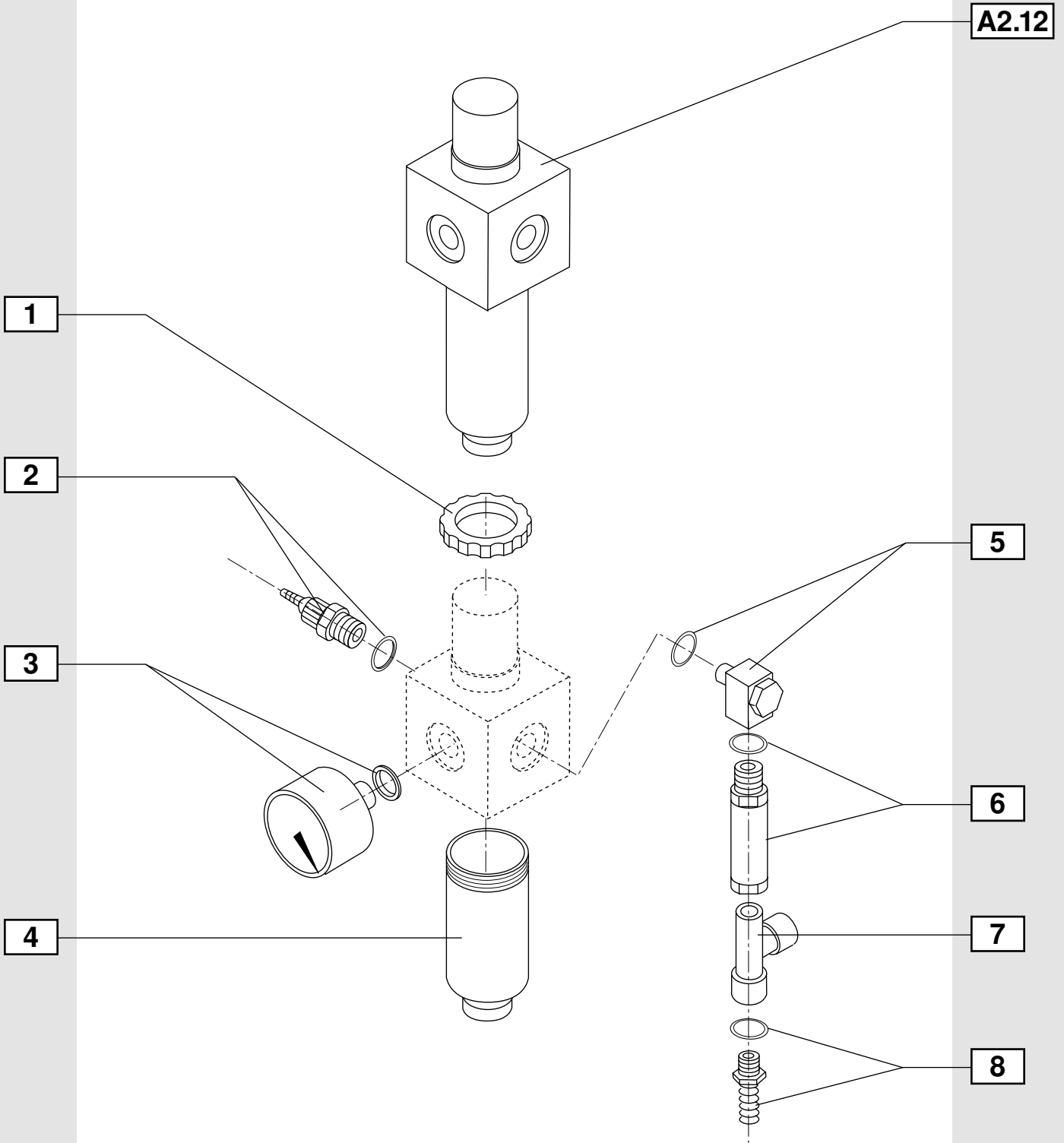
| Drawing # | ID number       | Item description   |
|-----------|-----------------|--|
| A2.11     |                 | Control box assembly   |
| 1         | <b>09194870</b> | Fuse holder for 220v M51P10xx Machines                                     |
| 2         | <b>04552380</b> | Mode switch for M51P10xx machines  |
| 3         | <b>09194320</b> | Indicator light assembly for mode on M51P10xx machines                     |
|           | <b>09194490</b> | Indicator light bulb for mode on M51P10xx machines                         |
| 4         | <b>09197844</b> | Push button for stroke valve on M51P10xx machines                          |
| 5         | <b>06450440</b> | Swivel elbow connector (G 1/8 x 6/4 hose)                                  |
| 6         | <b>09195240</b> | Motor contactor for M51P10xx machines                                      |
| 7         | <b>09194940</b> | Pressure switch for M51P10xx machines                                      |
|           | <b>09194940</b> | Connection adaptor for pressure switch on M51P10xx machines (not pictured) |
|           | <b>09195000</b> | Cover for pressure switch on M51P10xx machines (not pictured)              |
| 8         | <b>01802200</b> | Muffler G 1/8  |
| 9         | <b>09198075</b> | Stroke valve for M51P10xx machines   |
| 10        | <b>03067840</b> | Straight connector for M51P10xx machines (G 1/8 x 6/4 hose)                |
|           |                 |  |

**1**

Denotes part number in drawing

**A1.2**

Denotes part number in drawing and links to auxiliary drawing



# Parts list

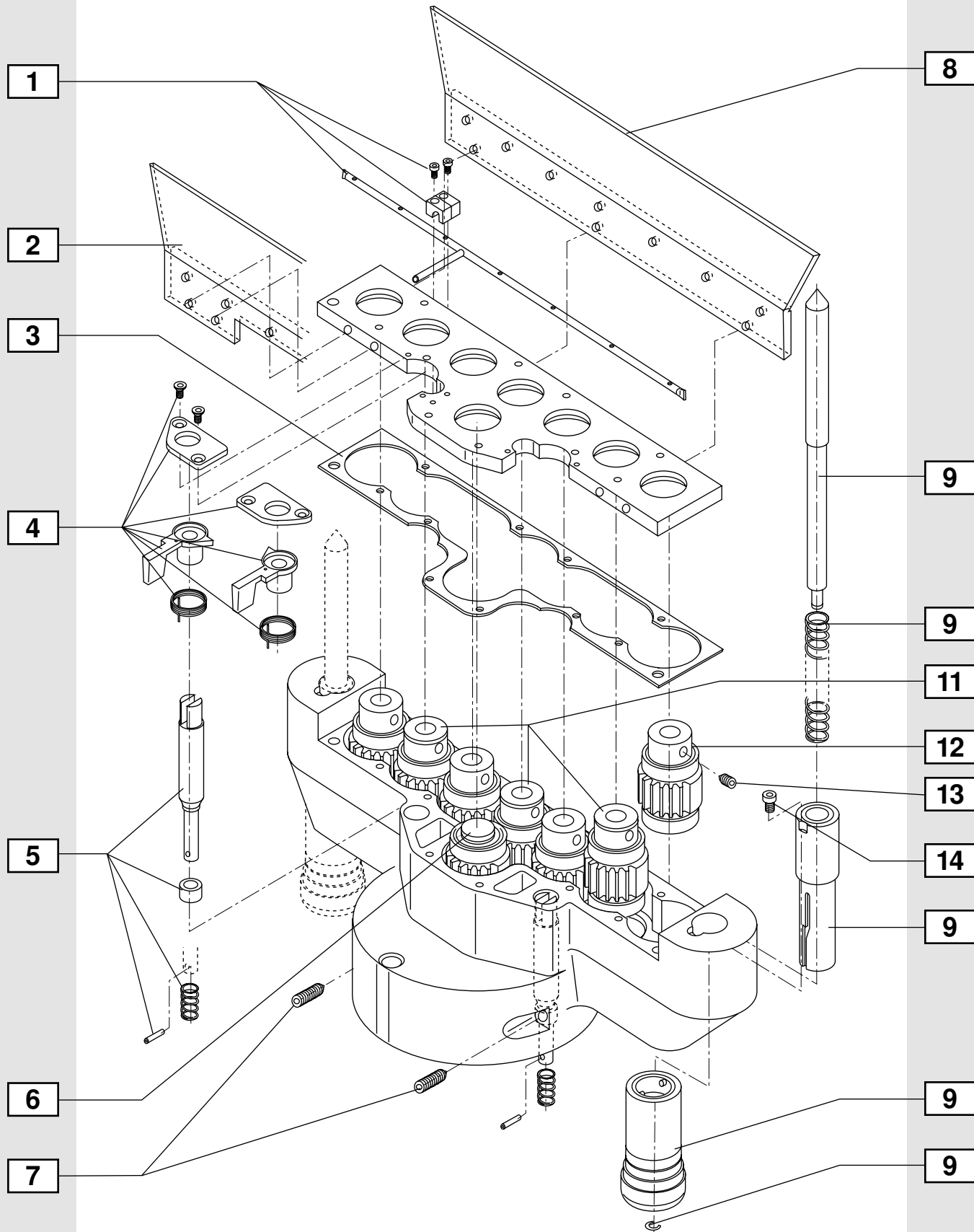
| Drawing # | ID number       | Item description  |
|-----------|-----------------|---|
| A2.12     | <b>09237050</b> | Air filter regulator unit for M51P10xx machines                     |
| 1         | <b>09237120</b> | Mounting nut for the air filter regulator unit on M51P10xx machines |
| 2         | <b>03067840</b> | Straight connector for M51P10xx machines (G 1/8 x 6/4 hose)         |
| 3         | <b>09237290</b> | Pressure gauge for filter regulator unit on M51P10xx machines       |
| 4         | <b>09237360</b> | Replacement filter bowl for M51P10xx machines                       |
| 5         | <b>01897310</b> | Swivel elbow connector block (G 1/8 x G 1/8)                        |
| 6         | <b>01799490</b> | Check valve (Bosch # 0 821 003 001)                                 |
| 7         | <b>03989270</b> | "T" connector for M51P10xx machines                                 |
| 8         | <b>01799810</b> | 1/4 barbed connector (straight connector) G 1/8 x 1/4 ID hose       |
|           |                 |   |

**1**

Denotes part number in drawing

**A1.2**

Denotes part number in drawing and links to auxiliary drawing



# Parts list

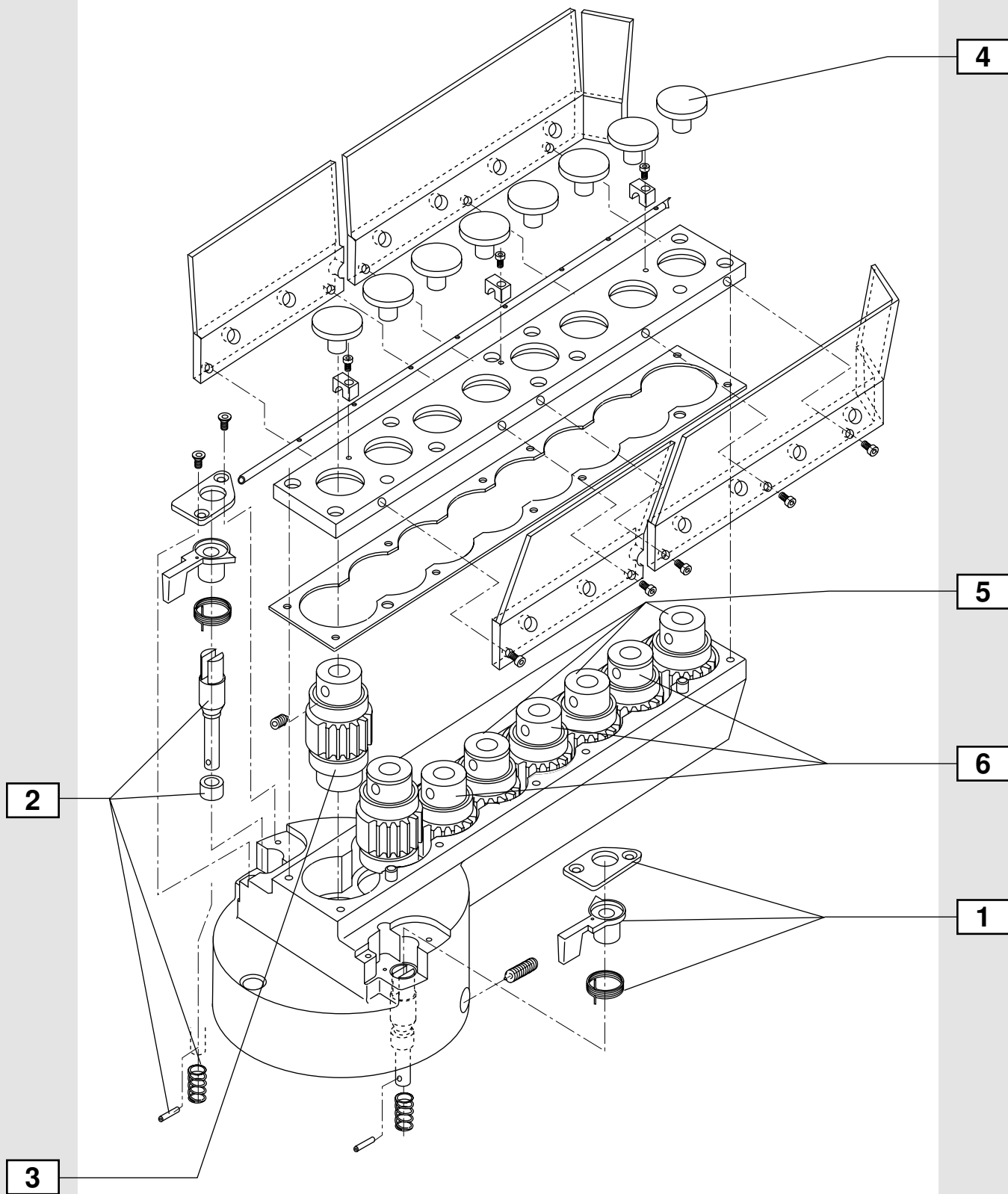
| Drawing # | ID number       | Item description  |
|-----------|-----------------|---|
| B1        | <b>05996101</b> | 7-spindle head assembly (MZK.1000.US) <b>Complete assembly set not available</b>            |
| 1         | <b>01717944</b> | Air jet pipe for MZK.1000 7-spindle boring head   |
|           | <b>26151691</b> | Air jet clamp with bolt   |
| 2         | <b>00024791</b> | Rear safety shield for MZK.1000 7-spindle boring head <b>(Includes front safety shield)</b> |
| 3         | <b>00024860</b> | Gasket for MZK.1000 7-spindle boring head   |
| 4         |                 | Flipper assembly for 7 & 8-spindle boring heads   |
|           | <b>06063082</b> | M3 x 8 flat head bolt   |
|           | <b>01311134</b> | Flipper cover plate for 7 & 8-spindle boring heads  |
|           |                 | Flipper, right-hand, for 7 & 8-spindle boring heads   |
|           |                 | Flipper, left-hand, for 7 & 8-spindle boring heads  |
|           |                 | Flipper spring, right-hand, for 7 & 8-spindle boring heads                                  |
|           |                 | Flipper spring, left-hand, for 7 & 8-spindle boring heads                                   |
| 5         | <b>01310751</b> | Release assembly for 7 & 8-spindle boring heads (with tightening set screws)                |
| 6         | <b>00030634</b> | Drive spindle/gear assembly for MZK.1000 7-spindle boring head                              |
| 7         | <b>07603314</b> | Set screw M8 x 20, used on 7 & 8-spindle boring heads                                       |
| 8         | <b>00024791</b> | Front safety shield for MZK.1000 7-spindle boring head <b>(Includes rear safety shield)</b> |
| 9         | <b>00030944</b> | Line-up pin for MZK.1000 7-spindle boring head <b>(00030944 set)</b>                        |
|           |                 | Spring for line-up pins on MZK.1000 7-spindle boring head <b>(00030944 set)</b>             |
|           |                 | Sleeve for line-up pin on MZK.1000 7-spindle boring head <b>(00030944 set)</b>              |
|           |                 | Handle for line-up pins on MZK.1000 7-spindle boring head <b>(00030944 set)</b>             |
|           |                 | M4 x 0.7 E-clip ring <b>(00030944 set)</b>  |
| 11        | <b>00030874</b> | Gear spindle assembly, left-hand, for 7 & 8-spindle boring heads                            |
|           | <b>07340399</b> | Orange O-ring to identify left-hand spindles on 7 & 8-spindle boring heads (not pictured)   |
| 12        | <b>00030704</b> | Gear spindle assembly, right-hand, for 7 & 8-spindle boring heads                           |
| 13        | <b>07340214</b> | Set screw M6 x 6, jolted, for boring head chucks  |
| 14        | <b>06064991</b> | M5 x 6 bolt for line-up pin sleeve  |
|           | <b>26151850</b> | Grease kluber GE 46-1200  |
|           | <b>00031004</b> | Distance spacer set   |
|           | <b>01519984</b> | Drive pin   |
|           | <b>01519809</b> | Set up template   |

**1**

Denotes part number in drawing

**A1.2**

Denotes part number in drawing and links to auxiliary drawing





# Parts list

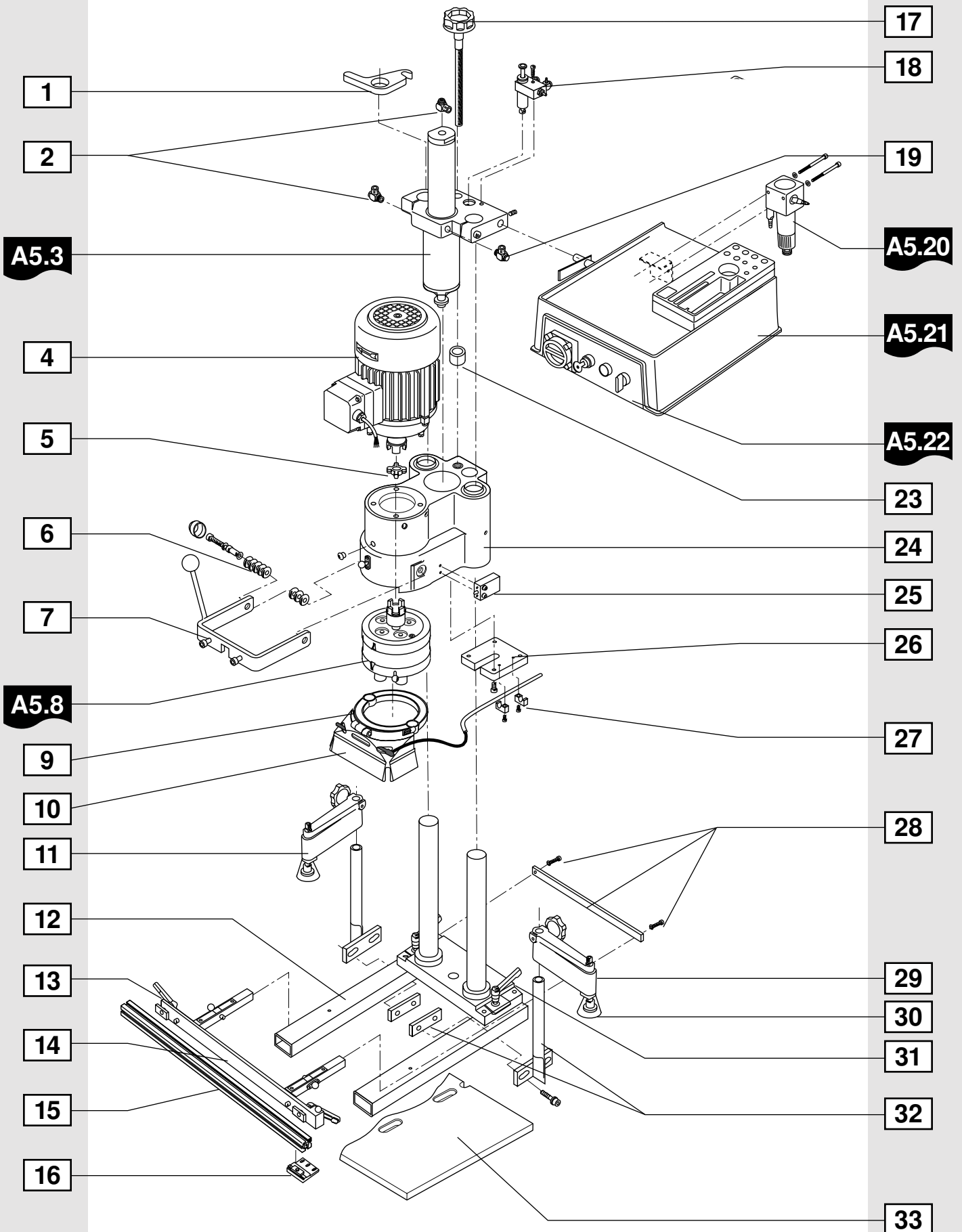
| Drawing # | ID number       | Item description   |
|-----------|-----------------|--|
| B2        | <b>05996391</b> | 8-spindle head assembly (MZK.8000.US) <b>Complete assembly set not available</b> |
| 1         |                 | Flipper assembly for 7 & 8-spindle boring heads                                  |
|           | <b>06063082</b> | M3 x 8 flat head bolt  |
|           | <b>01311134</b> | Flipper cover plate for 7 & 8-spindle boring heads                               |
|           |                 | Flipper, right-hand, for 7 & 8-spindle boring heads                              |
|           |                 | Flipper spring, right-hand, for 7 & 8-spindle boring heads                       |
| 2         | <b>01310751</b> | Release assembly for 7 & 8-spindle boring heads (with tightening set screws)     |
| 3         | <b>06762924</b> | Drive spindle/gear assembly for MZK.8000 8-spindle boring head                   |
| 4         | <b>06379801</b> | Cover cap for chuck  |
| 5         | <b>00030874</b> | Gear spindle assembly, left-hand, for 7 & 8-spindle boring heads                 |
| 6         | <b>00030704</b> | Gear spindle assembly, right-hand, for 7 & 8-spindle boring heads                |
|           |                 | Flipper assembly for 7 & 8-spindle boring heads                                  |
|           | <b>01311134</b> | Flipper cover plate for 7 & 8-spindle boring heads                               |
|           |                 | Flipper, left-hand, for 7 & 8-spindle boring heads                               |
|           |                 | Flipper spring, left-hand, for 7 & 8-spindle boring heads                        |
|           |                 |  |

**1**

Denotes part number in drawing

**A1.2**

Denotes part number in drawing and links to auxiliary drawing



# Parts list

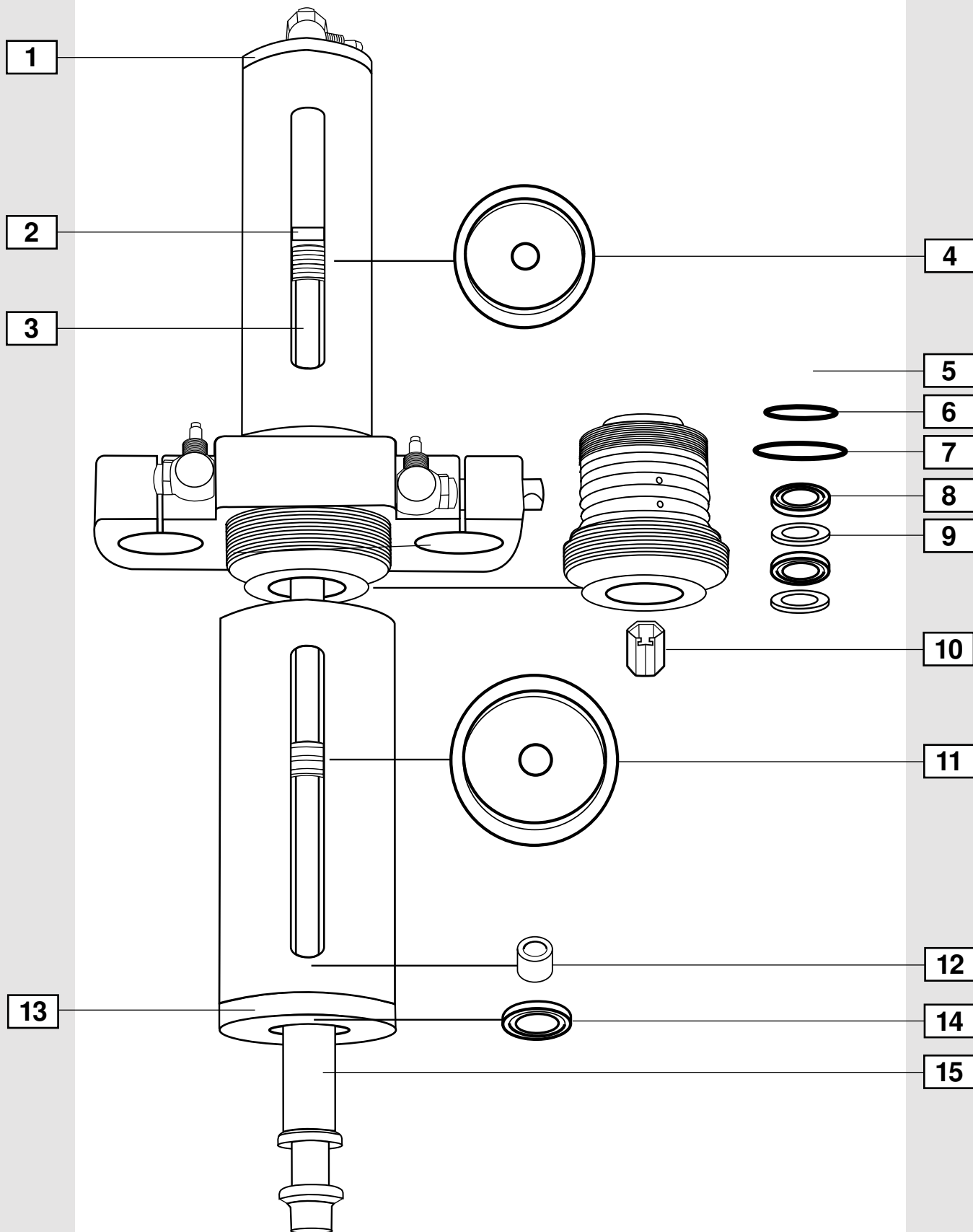
| Drawing #    | ID number | Item description  |
|--------------|-----------|---|
| 1            | 09029399  | Drilling depth gauge  |
| 2            | 06449780  | Flow control valve G 1/8 x 6/4 hose (Bosch # 0 821 200 179)                   |
| <b>A5.3</b>  | 06648984  | Main air cylinder for M51N10xx MINIPRESS                                      |
| 4            | 03244009  | Motor (1-phase, 220v)   |
| 4            | 09235839  | Motor (3-phase, 220v or 440v)   |
|              | 09028921  | Capacitor for 1-phase motor (not pictured)                                    |
| 5            | 09167211  | Coupling pad (rotex)  |
| 6            | 06747614  | Swing arm mounting kit (V2)   |
| 7            | 06634764  | Swing arm   |
| <b>A5.8</b>  | 07765721  | Internal gear Box for M51N10xx machines                                       |
| 9            | 02566091  | Protective safety shield for the drill bits on the machines (entire assembly) |
| 10           | 01885811  | Plastic safety shield (plastic portion)                                       |
| 11           | 09092049  | Hold down clamp, left hand  |
| 12           | 04228104  | Base frame of machine MB=23.5   |
| 13           | 06634170  | Clamping lever for left and right adjustment of ruler on fencing system       |
| 14           | 04228444  | Fencing system  |
| 15           | 06635734  | Ruler   |
| 16           | 07982584  | Ruler adjustment plate  |
| 17           | 03587634  | Depth adjustment screw  |
| 18           | 07917924  | Pneumatic brake   |
| 19           | 06450440  | Swivel elbow connector (G 1/8 x 1/64 hose)                                    |
| <b>A5.20</b> | 04335100  | Filter unit for M51N10xx MINIPRESS (Bosch # 0 821 303 420)                    |
| <b>A5.21</b> | 06419468  | Control box cover for M51N10xx machines                                       |
| <b>A5.22</b> |           | Control panel   |
| 23           | 04704314  | Distance spacer   |
| 24           | 01882049  | Gearbox housing for M51N10xx machines   |
| 25           | 09094020  | Limit switch and connector for M51N10xx machines                              |
| 26           | 06446844  | Cylinder base plate   |
| 27           | 26151691  | Air jet clamp with bolt   |
| 28           | 07975454  | Fence brace bar with M6x10 bolts  |
| 29           | 09092049  | Hold down clamp, right hand   |
| 30           | 09092281  | Hold down clamp pad and safety shield   |
|              |           | Air jet pipe for M51N10xx MINIPRESS discontinued                              |
|              | 02770534  | Air jet hose for safety shield on M51N10xx machines discontinued              |
| 31           | 06634090  | Clamp lever with plate (for depth adjustment)                                 |
| 32           | 09092594  | Hold down clamp support and plate (nut 70 x 20 x 6mm)                         |
| 33           | 06378581  | Work table  |

**1**

Denotes part number in drawing

**A1.2**

Denotes part number in drawing and links to auxiliary drawing



# Parts list

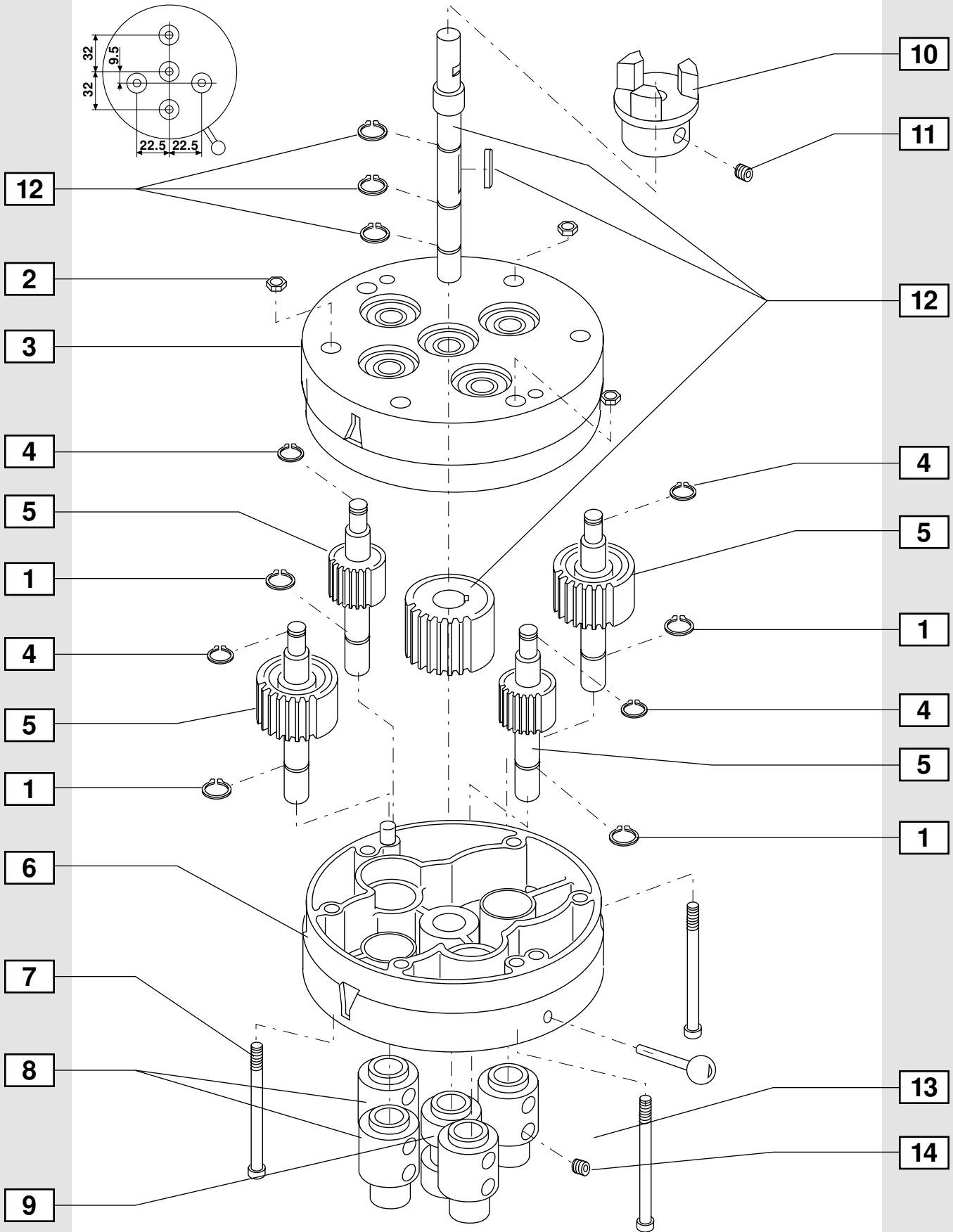
| Drawing # | ID number       | Item description  |
|-----------|-----------------|---|
| A5.3      | <b>06648984</b> | Main cylinder (complete assembly)   |
| 1         | <b>06445794</b> | Cylinder top cap  |
| 2         | <b>03748221</b> | M10 Nut   |
| 3         | <b>06446251</b> | Top shaft for air cylinder on M51N10xx MINIPRESS                                      |
| 4         | <b>05460890</b> | Top piston seal TN50  |
| 5         | <b>08048437</b> | Bushing 16/22 x 16-28 x 3   |
| 6         | <b>06453891</b> | O-ring 46.2 x 3 (small) (4)   |
| 7         | <b>06453971</b> | O-ring 59.5 x 3 (large) (1)   |
| 8         | <b>06454191</b> | Middle cup seal 16-24-5.5 for the air cylinder for M51N10xx MINIPRESS (2) 1 up/1 down |
| 9         |                 | Spacer (2) no longer available  |
| 10        | <b>06577271</b> | Coupling nut for air cylinder on M51N10xx MINIPRESS                                   |
| 11        | <b>06454351</b> | Bottom piston seal for air cylinder on M51N10xx MINIPRESS                             |
| 12        | <b>06446091</b> | Bushing 20/26 x 15-32 x 3   |
| 13        | <b>06445951</b> | Cylinder bottom cap   |
| 14        | <b>06446171</b> | Wiper seal  |
| 15        | <b>06446501</b> | Bottom shaft for air cylinder on M51N10xx MINIPRESS                                   |
|           |                 |   |

**1**

Denotes part number in drawing

**A1.2**

Denotes part number in drawing and links to auxiliary drawing



# Parts list

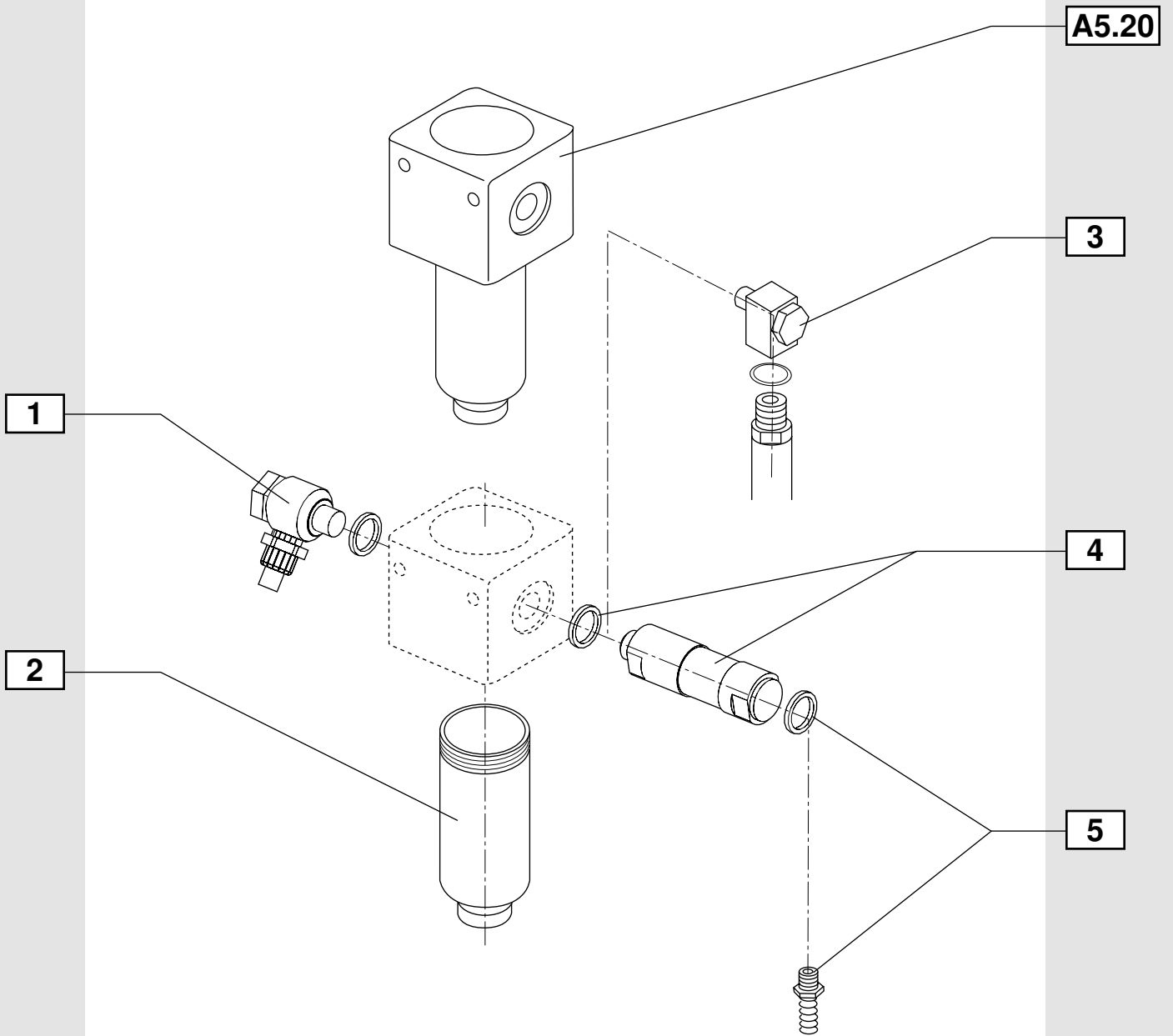
| Drawing # | ID number       | Item description  |
|-----------|-----------------|---|
| A5.8      | <b>07765721</b> | Complete gearbox assembly (M51.1303)  |
| 1         | <b>08087178</b> | 10 x 1 snap ring  |
| 2         | <b>08086017</b> | M6 nut  |
| 3         | <b>06954324</b> | Top half of internal gearbox with bearings for all gearboxes                          |
| 4         | <b>08086950</b> | 8 x 0.8 snap ring   |
| 5         | <b>07686894</b> | Small gear and spindle for the internal gearbox on the machines <b>(07686894 set)</b> |
| 5         | <b>07686894</b> | Large gear and spindle for the internal gearbox on the machines <b>(07686894 set)</b> |
| 6         | <b>04650740</b> | Bottom half of internal gearbox with bearings for all gearboxes                       |
| 7         | <b>06065297</b> | M6 x 60 bolt  |
| 8         | <b>01428164</b> | Left hand chuck   |
| 9         | <b>01428244</b> | Right hand chuck  |
| 10        | <b>09167381</b> | Coupling for internal gearbox on M51N10xx machines                                    |
| 11        | <b>02770000</b> | Set screw M8 x 12 flat (for coupling)   |
| 12        | <b>03702113</b> | Center spindle kit for M51.1303 internal gearbox used on M51N10xx machines            |
| 12        | <b>03702113</b> | Shaft key 3 x 3 x 20  |
| 12        | <b>03702113</b> | Center gear   |
| 13        | <b>06643888</b> | Set screw M8 x 8, holds chuck on spindle, 90° point DIN914, poly mark blue            |
| 14        | <b>01886201</b> | Set screw M8 x 5, holds bit in chuck, jolted and flat ended                           |
|           | <b>05885980</b> | Gearbox bearing 6000-2RS (top center & bottom outer) not pictured                     |
|           | <b>05885120</b> | Gearbox bearing 608-2RS (top small outer) not pictured                                |
|           | <b>08075915</b> | Gearbox bearing 5 NX 10 Z (bottom center) not pictured                                |
|           | <b>71022902</b> | Grease kluber GE 46-1200  |
|           | <b>06379801</b> | Cover cap for chucks  |
|           | <b>09167211</b> | Coupling pad rotex  |

**1**

Denotes part number in drawing

**A1.2**

Denotes part number in drawing and links to auxiliary drawing





# Parts list

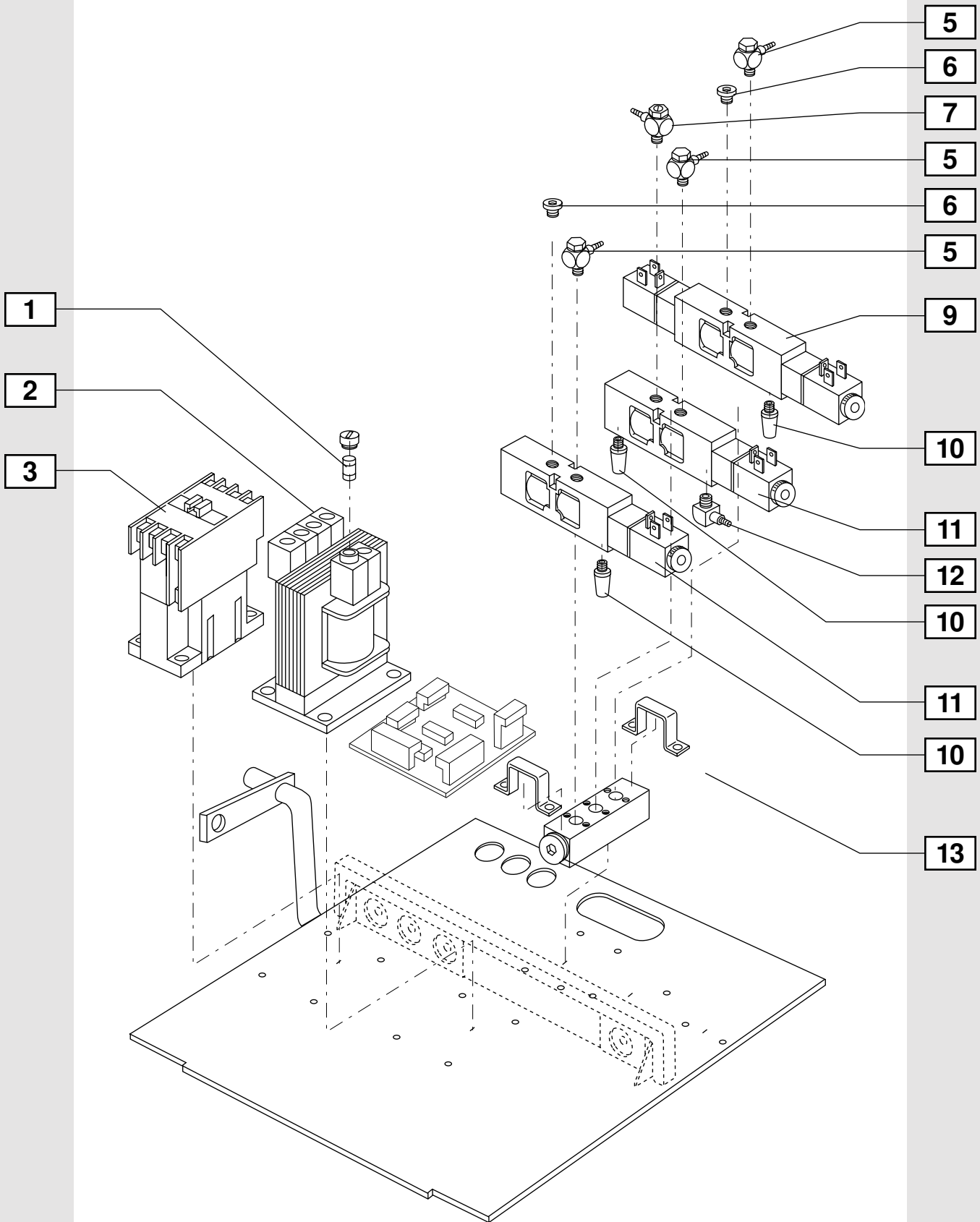
| Drawing # | ID number       | Item description  |
|-----------|-----------------|---|
| A5.20     | <b>04335100</b> | Filter unit for M51N10xx MINIPRESS (Bosch # 0 821 303 420)    |
| 1         | <b>03687330</b> | Swivel elbow connector (G 1/8 x 8/6 hose)                     |
| 2         | <b>03975130</b> | Air filter bowl for M51N10xx machines                         |
| 3         | <b>01897310</b> | Swivel elbow connector block (G 1/8 x G 1/8)                  |
| 4         | <b>01799490</b> | Check valve (Bosch # 0 821 003 001)                           |
| 5         | <b>01799810</b> | 1/4 barbed connector (straight connector) G 1/8 x 1/4 ID hose |
|           |                 |   |

**1**

Denotes part number in drawing

**A1.2**

Denotes part number in drawing and links to auxiliary drawing



# Parts list

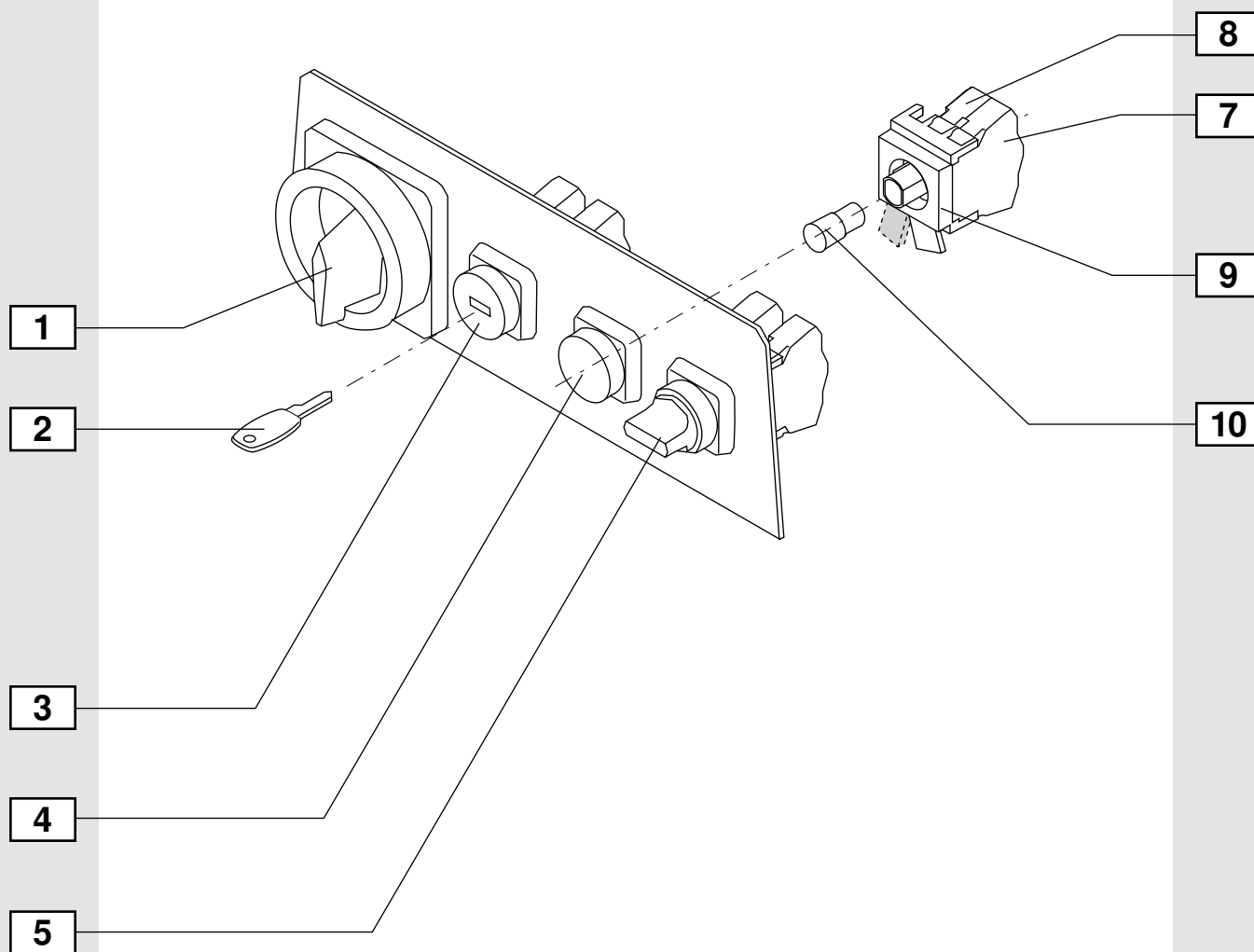
| Drawing # | ID number       | Item description   |
|-----------|-----------------|--|
| A5.21     | <b>06419468</b> | Control box cover for M51N10xx machines                              |
| 1         | <b>09194560</b> | Fuse for transformer for M15N10xx MINIPRESS, 1.6amp 250v 5 x 20mm    |
| 2         | <b>01844540</b> | Transformer of M51N10xx machines                                     |
| 3         | <b>08877428</b> | Motor contractor, 24v 60Hz, for M51N10xx machines                    |
| 5         | <b>06450440</b> | vvSwivel elbow connector, G 1/8 x 6/4 hose                           |
| 6         | <b>01804080</b> | Screw plug 1/8"  |
| 7         | <b>06449780</b> | Flow control valve, G 1/8 x 6/4 hose (Bosch # 0 821 200 179)         |
| 9         | <b>01800920</b> | Double solenoid valve for M51N10xx MINIPRESS (Bosch # 0 820 022 502) |
| 10        | <b>01802200</b> | Muffler 1/8"   |
| 11        | <b>01801140</b> | Single solenoid valve for M51N10xx machines (Bosch # 0 820 022 026)  |
| 12        | <b>03687330</b> | Elbow connector, G 1/8 x 8/6 hose                                    |
| 13        | <b>03072318</b> | Swivel connector   |
|           | <b>08061612</b> | "O" ring (seal between solenoid valve and manifold)                  |

**1**

Denotes part number in drawing

**A1.2**

Denotes part number in drawing and links to auxiliary drawing



# Parts list

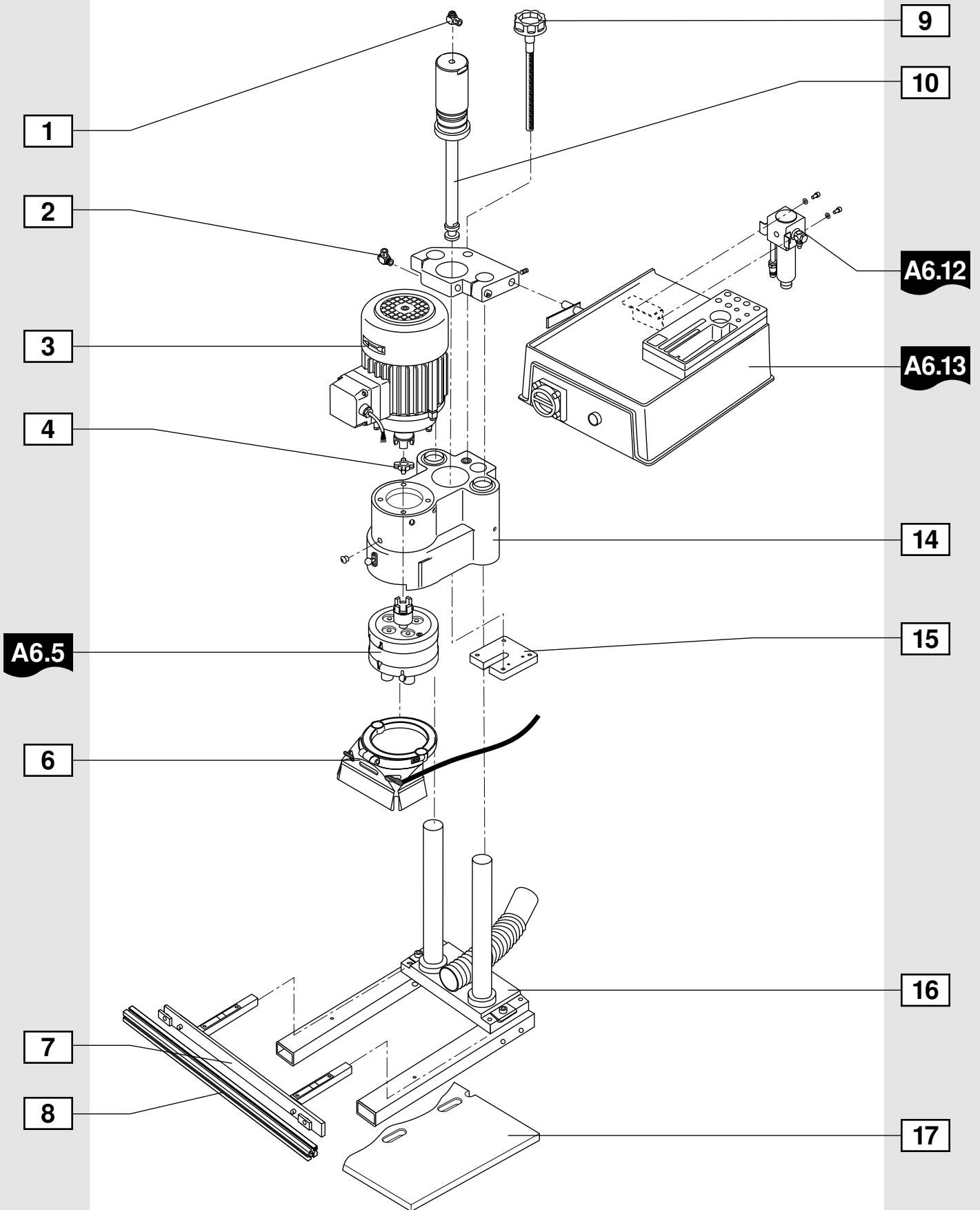
| Drawing # | ID number       | Item description  |
|-----------|-----------------|---|
| A5.22     |                 | Control panel for M51N10xx MINIPRESS                                      |
| 1         | <b>06568776</b> | Main Switch for M51N10xx machines   |
| 2         | <b>04618070</b> | Replacement key for M51N10xx MINIPRESS mode (key) switch                  |
| 3         | <b>04623150</b> | Mode (key) switch assembly for M51N10xx CD-CF MINIPRESS                   |
| 4         | <b>04623070</b> | Stroke switch assembly for M51N10xx CD-CF MINIPRESS                       |
|           | <b>07770053</b> | Push button for RAFI switch (used on stroke switch for M51N10xx machines) |
| 5         | <b>04623400</b> | Hold down clamp switch for M51N10xx MINIPRESS                             |
| 7         | <b>07254097</b> | N.O. contact for RAFI switches used on M51N10xx machines                  |
| 8         | <b>01190060</b> | Light element for RAFI stroke switch for M51N10xx machines                |
| 9         | <b>09036454</b> | Coupling for all RAFI switches  |
| 10        | <b>07607614</b> | LED lamp for stroke switch  |
|           | <b>01843730</b> | Light bulb for AEG stroke switch (not pictured)                           |
|           |                 |   |

**1**

Denotes part number in drawing

**A1.2**

Denotes part number in drawing and links to auxiliary drawing



# Parts list

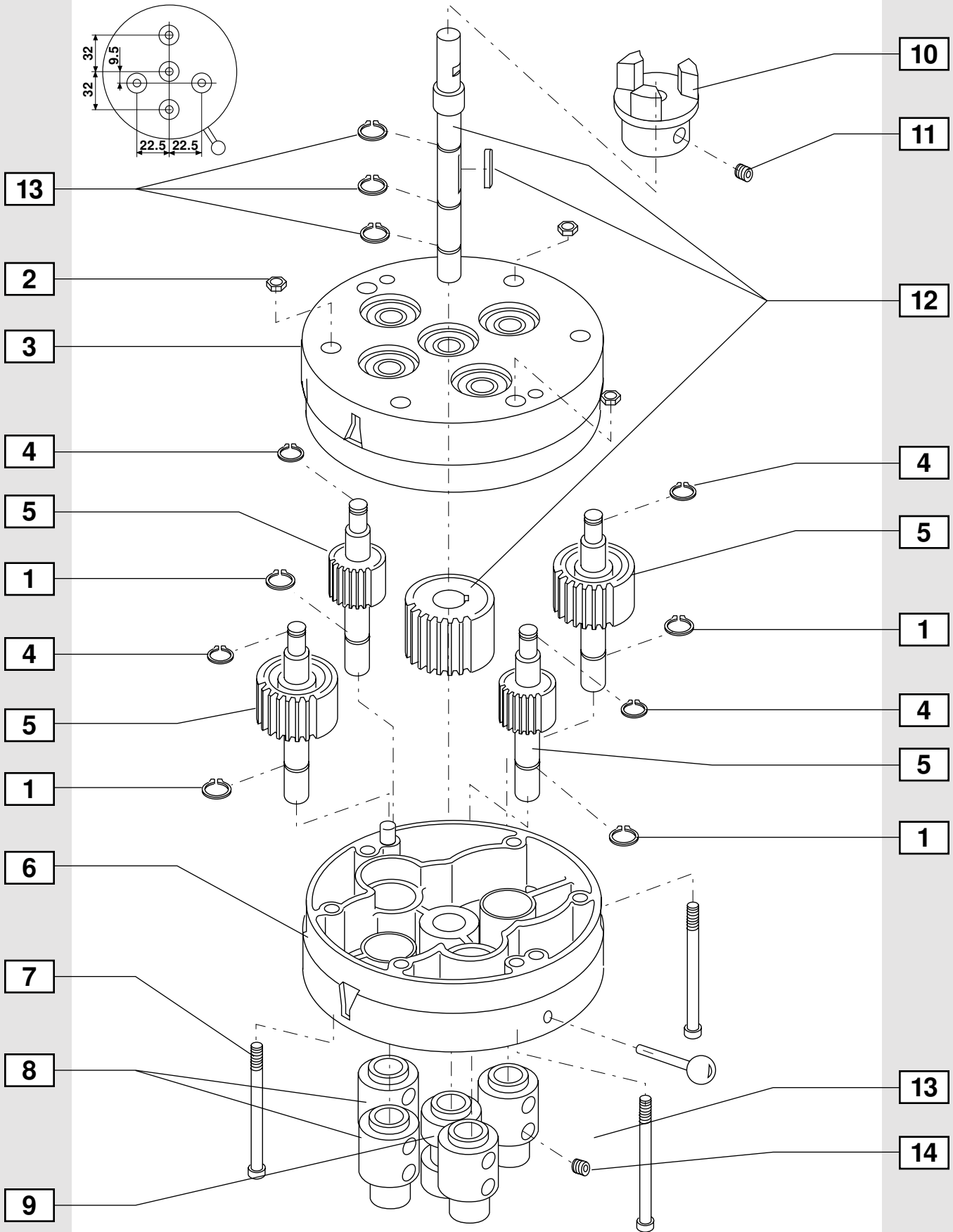
| Drawing #    | ID number | Item description  |
|--------------|-----------|---|
| 1            | 06450440  | Swivel elbow connector (G 1/8 x 6/4 hose)                   |
| 2            | 06449780  | Flow control valve G 1/8 x 6/4 hose (Bosch # 0 821 200 179) |
| 3            | 03244009  | Motor (1-phase, 220v)                                       |
| 3            | 09235839  | Motor (3-phase, 220v)                                       |
| 4            | 09167211  | Coupling pad (rotex)  |
| <b>A6.5</b>  | 07765721  | Internal gear Box for M51N10xx machines                     |
| 6            | 02566091  | Protective safety shield for the drill bits on the machines |
| 6            | 01885811  | Plastic safety shield                                       |
| 7            | 04228444  | Fencing system  |
| 8            | 06635734  | Ruler   |
| 9            | 03587634  | Depth adjustment screw                                      |
| 10           | 02753104  | Air cylinder for M51N10xx MINIDRILL                         |
| <b>A6.12</b> | 09535066  | Air filter assembly   |
| <b>A6.13</b> | 06419468  | Control box cover for M51N10xx machines                     |
| 14           | 01882049  | Gearbox housing for M51N10xx machines                       |
| 15           | 06446844  | Cylinder base plate   |
| 16           | 04228104  | Base frame of machine MB=23.5                               |
| 17           | 06378581  | Work table  |
|              |           |   |

**1**

Denotes part number in drawing

**A1.2**

Denotes part number in drawing and links to auxiliary drawing





# Parts list

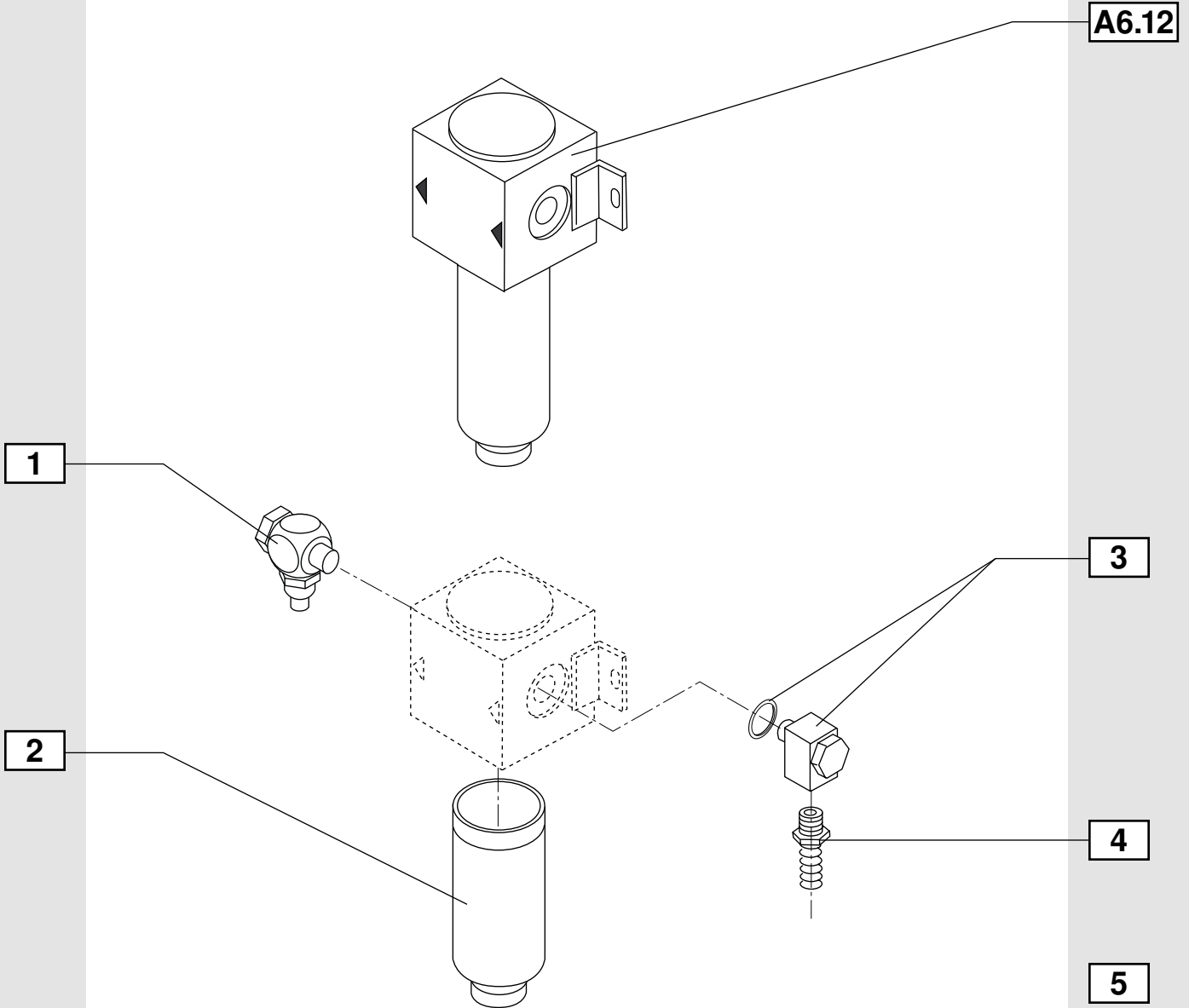
| Drawing # | ID number       | Item description  |
|-----------|-----------------|---|
| A6.5      | <b>07765721</b> | Complete gearbox assembly (M51.1303)  |
| 1         | <b>08087178</b> | 10 x 1 snap ring  |
| 2         | <b>08086017</b> | M6 nut  |
| 3         | <b>06954324</b> | Top half of internal gearbox with bearings for all gearboxes                          |
| 4         | <b>08086950</b> | 8 x 0.8 snap ring   |
| 5         | <b>07686894</b> | Small gear and spindle for the internal gearbox on the machines <b>(07686894 set)</b> |
| 5         | <b>07686894</b> | Large gear and spindle for the internal gearbox on the machines <b>(07686894 set)</b> |
| 6         | <b>04650740</b> | Bottom half of internal gearbox with bearings for all gearboxes                       |
| 7         | <b>06065297</b> | M6 x 60 bolt  |
| 8         | <b>01428164</b> | Left hand chuck   |
| 9         | <b>01428244</b> | Right hand chuck  |
| 10        | <b>09167381</b> | Coupling for internal gearbox on M51N10xx machines                                    |
| 11        | <b>02770000</b> | Set screw M8 x 12 flat (for coupling)   |
| 12        | <b>03702113</b> | Center spindle kit for M51.1303 internal gearbox used on M51N10xx machines            |
| 12        | <b>03702113</b> | Shaft key 3 x 3 x 20 for the internal gearbox on the machines                         |
| 12        | <b>03702113</b> | Center gear   |
| 13        | <b>06643888</b> | Set screw M8 x 8, holds chuck on spindle, 90° point DIN914, poly mark blue            |
| 14        | <b>01886201</b> | Set screw M8 x 5, holds bit in chuck, jolted and flat ended                           |
|           | <b>05885980</b> | Gearbox bearing 6000-2RS (top center & bottom outer) not pictured                     |
|           | <b>05885120</b> | Gearbox bearing 608-2RS (top small outer) not pictured                                |
|           | <b>08075915</b> | Gearbox bearing 5 NX 10 Z (bottom center) not pictured                                |
|           | <b>71022902</b> | Grease kluber GE 46-1200  |
|           |                 |   |

**1**

Denotes part number in drawing

**A1.2**

Denotes part number in drawing and links to auxiliary drawing



# Parts list

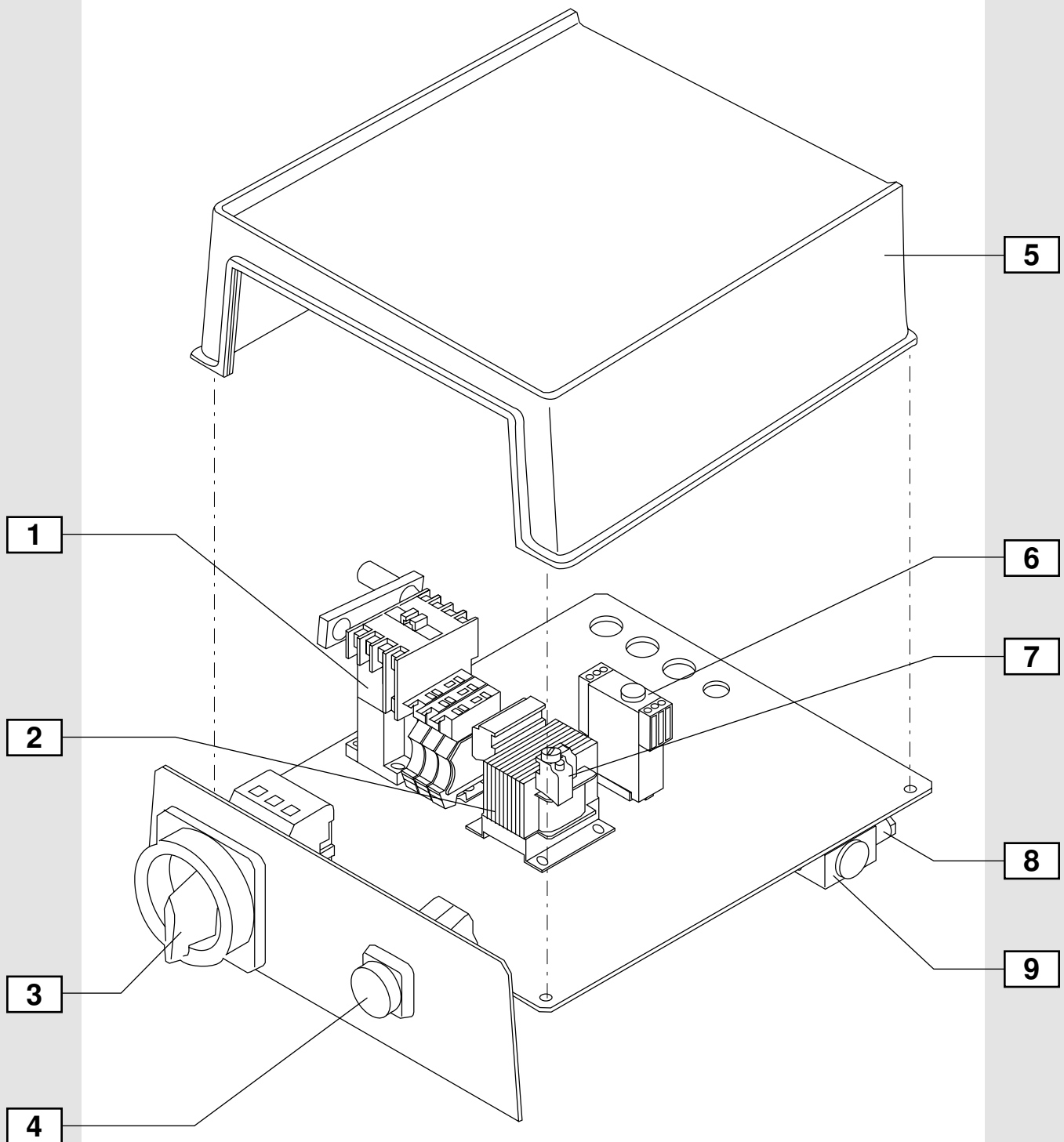
| Drawing # | ID number       | Item description  |
|-----------|-----------------|---|
| A6.12     | <b>09535066</b> | Air filter assembly   |
| 1         | <b>06450440</b> | Swivel elbow connector (G 1/8 x 6/4 hose)                     |
| 2         | <b>04114747</b> | Air filter bowl for M51N10xx MINIDRILL                        |
| 3         | <b>01897310</b> | Swivel elbow connector block (G 1/8 x G 1/8)                  |
| 4         | <b>01799810</b> | 1/4 barbed connector (straight connector) G 1/8 x 1/4 ID hose |
|           |                 |   |

**1**

Denotes part number in drawing

**A1.2**

Denotes part number in drawing and links to auxiliary drawing



# Parts list

| Drawing # | ID number       | Item description  |
|-----------|-----------------|---|
| A6.13     |                 | Control box for M51N10xx MINIDRILL                                  |
| 1         | <b>08877428</b> | Motor contractor, 24v 60Hz, for M51N10xx machines                   |
| 2         | <b>01844540</b> | Transformer of M51N10xx machines                                    |
| 3         | <b>06568776</b> | Main switch for M51N10xx machines                                   |
| 4         | <b>04623070</b> | Stroke switch assembly for M51N10xx MINIDRILL                       |
| 5         | <b>06419468</b> | Control box cover for M51N10xx machines                             |
| 6         | <b>06657516</b> | Time relay for M51N10xx MINIDRILL 24-240 VAC                        |
| 7         | <b>09194560</b> | 1.5A fuse   |
| 8         | <b>03988540</b> | Flow control valve with muffler                                     |
| 9         | <b>01801140</b> | Single solenoid valve for M51N10xx machines (Bosch # 0 820 022 026) |
|           |                 |   |

**1**

Denotes part number in drawing

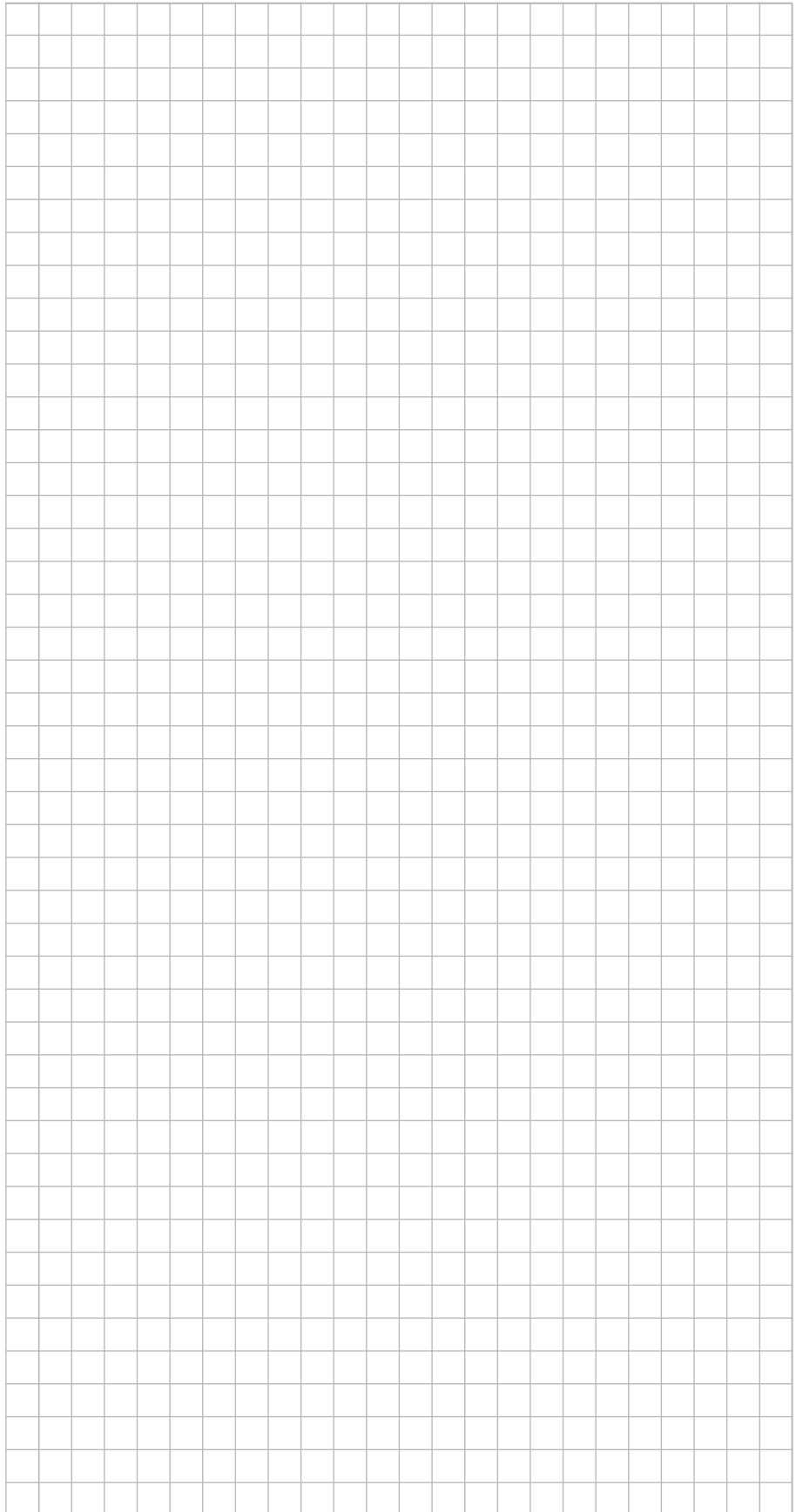
**A1.2**

Denotes part number in drawing and links to auxiliary drawing

# Index

| Part no. | Page no.       |          | Page no.              |          | Page no.       |
|----------|----------------|----------|-----------------------|----------|----------------|
| 00024791 | 23             | 03748221 | 29                    | 06453971 | 29             |
| 00024860 | 23             | 03975130 | 33                    | 06454191 | 29             |
| 00030634 | 23             | 03988540 | 45                    | 06577271 | 29             |
| 00030704 | 23, 25         | 03989270 | 11, 21                | 06634090 | 5              |
| 00030874 | 23, 25         | 03989860 | 9                     | 06634170 | 5, 27          |
| 00030944 | 23             | 08877428 | 45                    | 06634764 | 5, 27          |
| 00031004 | 23             | 04114747 | 43                    | 06635734 | 5, 15, 27, 39  |
| 00949010 | 13             | 04228104 | 5, 15, 27, 39         | 06648984 | 27, 29         |
| 01190060 | 37             | 04228444 | 5                     | 06747614 | 5, 27          |
| 01310751 | 23, 25         | 06643888 | 7, 17, 31, 41         | 06762924 | 25             |
| 01311134 | 25             | 04335100 | 27, 33                | 06954324 | 7, 17, 31, 41  |
| 06568776 | 37, 45         | 09535066 | 39                    | 06960651 | 7, 17          |
| 01311134 | 23             | 04399339 | 5, 15                 | 07254097 | 37             |
| 01428164 | 7, 17, 31, 41  | 04399500 | 5, 15                 | 07340214 | 23             |
| 01428244 | 7, 17, 31, 41  | 04552380 | 9, 19                 | 07340399 | 23             |
| 01519809 | 23             | 04618070 | 37                    | 07603314 | 23             |
| 01519984 | 23             | 04623070 | 37, 45                | 07607614 | 37             |
| 01717944 | 23             | 04623150 | 37                    | 07686894 | 7, 17, 31, 41  |
| 01799490 | 11, 21, 33     | 04623400 | 37                    | 07765721 | 27, 31, 39, 41 |
| 01799810 | 11, 21, 33, 43 | 04650740 | 7, 17, 31, 41         | 07770053 | 37             |
| 01800920 | 35             | 04704314 | 27                    | 07917924 | 27             |
| 01801140 | 35, 45         | 04978017 | 7, 17                 | 07975454 | 5              |
| 01802200 | 9, 19, 35      | 05460890 | 29                    | 07982584 | 5, 27          |
| 01804080 | 35             | 05885120 | 7, 17, 31, 41         | 08061612 | 35             |
| 01843730 | 37             | 05885980 | 7, 17, 31, 41         | 08075915 | 7, 17, 31, 41  |
| 01844540 | 35, 45         | 05994850 | 9                     | 08086017 | 7, 17, 31, 41  |
| 01844540 | 45             | 05996101 | 23                    | 08086950 | 7, 17, 31, 41  |
| 01844970 | 35             | 05996391 | 25                    | 08087178 | 7, 17, 31, 41  |
| 01885811 | 5, 15, 27, 39  | 06063082 | 23, 25                | 08877428 | 35             |
| 01886201 | 7, 17, 31, 41  | 06064569 | 13                    | 09028234 | 5              |
| 01897310 | 11, 21, 33, 43 | 06064991 | 23                    | 09028921 | 5, 15, 27      |
| 01882049 | 27, 39         | 06065297 | 7, 17, 31, 41         | 09029224 | 5              |
| 02502001 | 5, 7, 15, 17   | 06378581 | 5, 15, 39             | 09029399 | 27             |
| 02546404 | 15             | 06379801 | 7, 17, 25, 31         | 09036454 | 37             |
| 02566091 | 5, 15, 27, 39  | 06419468 | 27, 35, 39, 45        | 09054041 | 5, 15          |
| 02753104 | 39             | 08048437 | 29                    | 09092049 | 5, 27          |
| 02770000 | 31, 41         | 06445794 | 29                    | 09092281 | 5              |
| 03072318 | 35             | 06445951 | 29                    | 09092594 | 5              |
| 03067840 | 9              | 06446091 | 29                    | 09093890 | 13             |
| 03067840 | 11, 19, 21     | 06446171 | 29                    | 09094020 | 27             |
| 03073414 | 9              | 06446251 | 29                    | 09094194 | 5              |
| 03244009 | 5, 15, 27, 39  | 06446501 | 29                    | 09167211 | 27, 31, 39     |
| 03277744 | 9              | 06446844 | 27, 39                | 09167381 | 31, 41         |
| 03587634 | 5, 15, 27, 39  | 06449780 | 27, 35, 39            | 09194320 | 9, 19          |
| 03687330 | 33, 35         | 06450440 | 9, 19, 27, 35, 39, 43 | 09194490 | 9, 19          |
| 03702113 | 31, 41         | 06453891 | 29                    | 09194560 | 9, 35, 45      |

|          |               |
|----------|---------------|
| 09194870 | 9, 19         |
| 09194940 | 9, 19         |
| 09195000 | 9, 19         |
| 09195240 | 9, 19         |
| 06657516 | 45            |
| 09197844 | 9, 19         |
| 09197914 | 9             |
| 09198075 | 9, 19         |
| 09198380 | 9             |
| 09235839 | 5, 15, 27, 39 |
| 09237050 | 5, 11, 15, 21 |
| 09237290 | 11, 21        |
| 09237360 | 21            |
| 09535066 | 43            |
| 26151691 | 23, 27        |
| 71022902 | 7, 17         |
| 26151850 | 23, 31, 41    |





Please visit [blum.com](http://blum.com) for information on other Blum products.  
Technical specifications subject to change without notice.  
LIT.5008.08.22 ©Blum, Inc.

**Blum, Inc.**  
7733 Old Plank Rd.  
Stanley, NC 28164  
800-438-6788  
[blum.com](http://blum.com)

