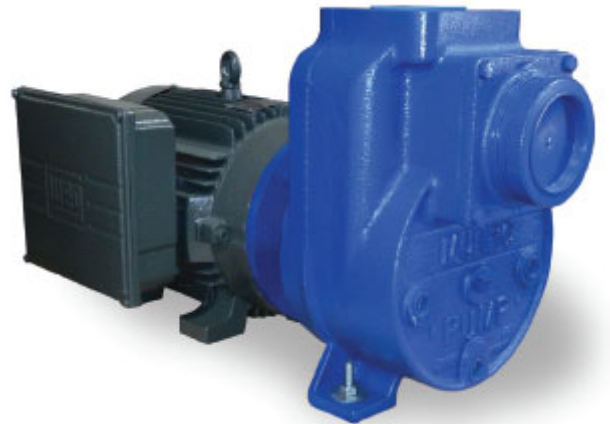


Self-Priming High and Medium Head Pumps 7 1/2 - 20 hp

These pumps are ideally suited to turf irrigation applications where greater flows and higher heads are required.

- **Bronze impeller** – the enclosed, single piece design is balanced and trimmed for specific operating range.
- **Mechanical shaft seal** – proven toughness stands up to less than ideal situations
- **Heavy-duty motor** – lasts longer and provides application flexibility.



COMMON APPLICATIONS

- Residential turf irrigation: mid-size community or commercial turf irrigation
- Booster
- Water transfer

ADVANTAGES

Versatile – they can be used for irrigation, draining barges and tank cars . . . dewatering mines or underground storage facilities. Homeowners use them for sprinkler systems and swimming pools. When it comes to moving water from one place to another, there's no end to the jobs that a Self-Priming Pump can handle!

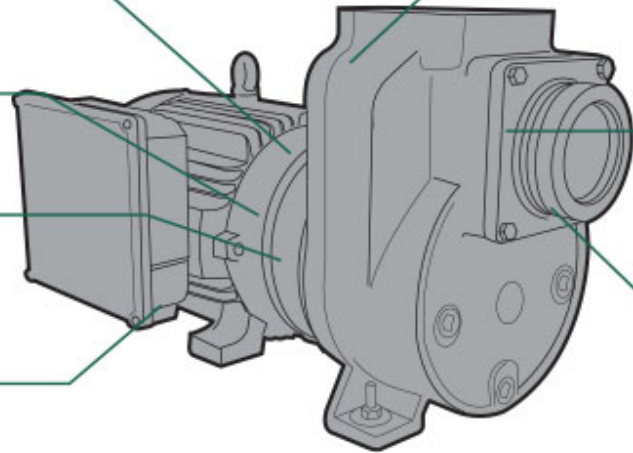
Quick start-up – because these pumps are self-priming, there is no additional work required to get the pump ready to operate. Just install, fill and go!

ENCLOSED BRONZE IMPELLER – Single piece design, balanced and trimmed for a specific operating range.

BRONZE SHAFT SLEEVE – Keyed to the motor shaft.

CARBON CERAMIC MECHANICAL SHAFT SEAL – reduces maintenance problems.

NEMA JM MOTOR – Provides a short shaft overhand and reduces axial strain on the motor bearings. Continuous, open drip proof motors are standard but other motor options are available.



CAST IRON CASE – With built in drain and priming plugs, the extra large priming chamber offers fast, trouble free priming.

BOLT ON SUCTION FLANGE – Available in a variety of sizes for specific requirements.

BUILT IN CHECK VALVE – Prevents siphoning and need for repriming.

Specifications - Pump - H Series

HP	Discharge	Suction	Approx Ship Weight/Lbs	Model Number
7.5	3"	3"	225	MU75HS
7.5			174	MU75HT
10			229	MU10HS
10			197	MU10HT
15			210	MU15HT

Specifications - Motor - H Series

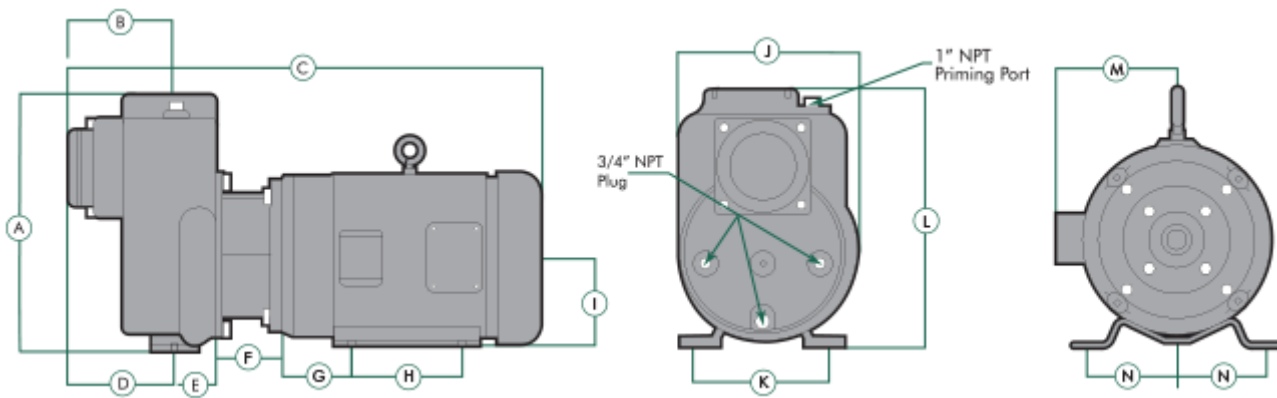
HP	Phase	Volts	Run Amps	Model Number
7.5	1	230	37	MU75HS
7.5	3	208/230/460	21/19.4/19.7	MU75HT
10	1	230	47	MU10HS
10	3	208/230/460	28/25/12.5	MU10HT
15	3	208/230/460	42/38/19	MU15HT

Specifications - Pump - M Series

HP	Discharge	Suction	Approx Ship Weight/Lbs	Model Number
7.5	4"	3"	225	MU75MS
7.5			174	MU75MT
10			229	MU10MS
10			197	MU10MT
15			210	MU15MT
20			241	MU20MT

Specifications - Motor - M Series

HP	Phase	Volts	Run Amps	Model Number
7.5	1	230	37	MU75MS
7.5	3	208/230/460	21/19.4/19.7	MU75MT
10	1	230	47	MU10MS
10	3	208/230/460	28/25/12.5	MU10MT
15	3	208/230/460	42/38/19	MU15MT
20	3	208/230/460	52.6/47/23.5	MU20MT



Single Phase

HP	A	B	C	D	E	F	G	H	I	J	K	L	M	N
7.5	15 1/4"	8 3/4"	26 5/8"	6 1/8"	2 3/4"	2 7/8"	3 1/2"	5 1/2"	5 1/4"	10 9/16"	7 15/16"	15 5/32"	9 5/16"	4 1/4"
10	15 1/4"	8 3/4"	27 1/4"	6 1/8"	2 3/4"	2 7/8"	3 1/2"	7"	5 1/4"	10 9/16"	7 15/16"	15 5/32"	9 5/16"	4 1/4"

Three Phase

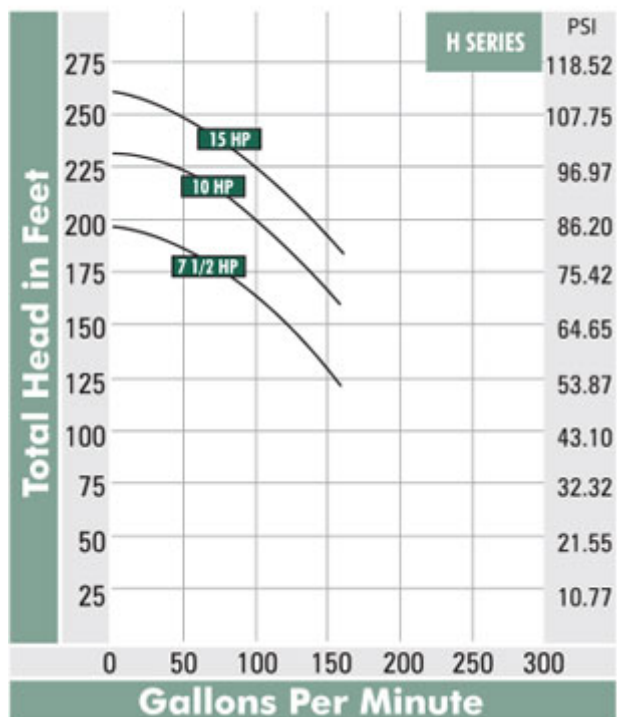
HP	A	B	C	D	E	F	G	H	I	J	K	L	M	N
7.5	15 1/4"	8 3/4"	23 1/2"	6 1/8"	2 3/4"	2 7/8"	2 3/4"	4 1/2"	4 1/2"	10 9/16"	7 15/16"	15 5/32"	8 3/32"	3 3/4"
10	15 1/4"	8 3/4"	25 5/8"	6 1/8"	2 3/4"	2 7/8"	3 1/2"	5 1/2"	5 1/4"	10 9/16"	7 15/16"	15 5/32"	9 5/16"	4 1/4"
15	15 1/4"	8 3/4"	27 1/4"	6 1/8"	2 3/4"	2 7/8"	3 1/2"	7"	5 1/4"	10 9/16"	7 15/16"	15 5/32"	9 5/16"	4 1/4"
20	15 1/4"	8 3/4"	29 1/2"	6 1/8"	2 3/4"	2 5/8"	4 1/4"	8 1/4"	7"	10 9/16"	7 15/16"	15 5/32"	11"	5"

Three Phase TEFC

HP	A	B	C	D	E	F	G	H	I	J	K	L	M	N
7.5	15 1/4"	8 3/4"	30 13/16"	6 1/8"	2 3/4"	2 7/8"	2 3/4"	4 1/2"	4 1/2"	10 9/16"	7 15/16"	15 5/32"	8 3/32"	3 3/4"
10	15 1/4"	8 3/4"	35 1/4"	6 1/8"	2 3/4"	2 7/8"	3 1/2"	7"	5 1/4"	10 9/16"	7 15/16"	15 5/32"	9 5/16"	4 1/4"
15	15	8 3/4"	35 1/4"	6 1/8"	2 3/4"	2 7/8"	3 1/2"	7"	5 1/4"	10 9/16"	7 15/16"	15 5/32"	9 5/16"	4 1/4"

	1/4"													
20	15 1/4"	8 3/4"	42"	6 1/8"	2 3/4"	2 5/8"	4 1/4"	10"	7"	10 9/16"	7 15/16"	15 5/32"	11"	5"

HORSEPOWER RANGE: 7 1/2 – 15



HORSEPOWER RANGE: 7 1/2 – 20

