

# SUBMERSIBLE SEWAGE EJECTOR PUMP

## MSKV50 SERIES

The Myers MSKV50 Submersible Pump is specifically designed to meet the demands of residential wastewater and sewage applications, and the quality standards of the professional plumber. The 2 inch NPT discharge pump is available with powerful 1/2 HP performance, in both automatic and manual configurations. The MSKV50 can handle capacities up to 180 gallons per minute and heads over 20 feet.

### APPLICATIONS

Residential sewage, high-capacity sump, and septic tank effluent.

### FEATURES

- ◆ **Maximum Efficiency:** New PSC motor offers same amp draw as before with better torque and flow.
- ◆ **Clog Resistant Design:** High-capacity vortex thermoplastic impeller efficiently handles up to 2 inch spherical solids and features a screenless bottom inlet and pump-out vanes on the back of the impeller that prevent stringy materials from binding the impeller or shaft.
- ◆ **Water Resistant Power Cord:** Molded plug is available in 10 or 20 foot lengths.
- ◆ **Cast Iron Construction:** Heavy-duty design provides long life by dissipating heat for cooler motor operation.
- ◆ **Low Friction Design:** Ball bearing design is oil filled and supports the motor shaft, providing perfect alignment of rotor resulting in less friction and less frequent service intervals.
- ◆ **Mechanical Shaft Seals:** Carbon and ceramic faced for long lasting life free of leaking.
- ◆ **Best In Class Warranty:** Unparalleled 3 Year Warranty, your guarantee of quality and performance.

### SPECIFICATIONS

- ◆ **Handle:** Steel
- ◆ **Lubricating Oil:** Dielectric oil
- ◆ **Motor Housing:** Cast iron
- ◆ **Seal Plate:** Cast iron
- ◆ **Pump Casing:** Cast iron
- ◆ **Shaft:** Stainless steel
- ◆ **Mechanical Shaft Seal:** Seal Faces = Carbon/Ceramic; Spring = Stainless steel; Bellows = Buna-N
- ◆ **Impeller:** Engineered Thermoplastic
- ◆ **Upper Bearing:** Sleeve
- ◆ **Lower Bearing:** Single Row Ball Bearing
- ◆ **Fasteners:** Stainless Steel



### ORDERING INFORMATION

MODEL NUMBER	HP	MAX CAPACITY	MAX HEAD	DISCHARGE NPT	SOLIDS HANDLING	VOLTS	FULL LOAD AMPS	PHASE	CORD LENGTH	SWITCH
MSKV50AD110	1/2	189	22	2"	2"	115	12.0	1	10'	PD
MSKV50AW110	1/2	189	22	2"	2"	115	12.0	1	10'	PT
MSKV50M120	1/2	189	22	2"	2"	115	12.0	1	20'	M
MSKV50AW120	1/2	189	22	2"	2"	115	12.0	1	20'	PT
MSKV50M110	1/2	189	22	2"	2"	115	12.0	1	10'	M
MSKV50M220	1/2	189	22	2"	2"	230	6.0	1	20'	M

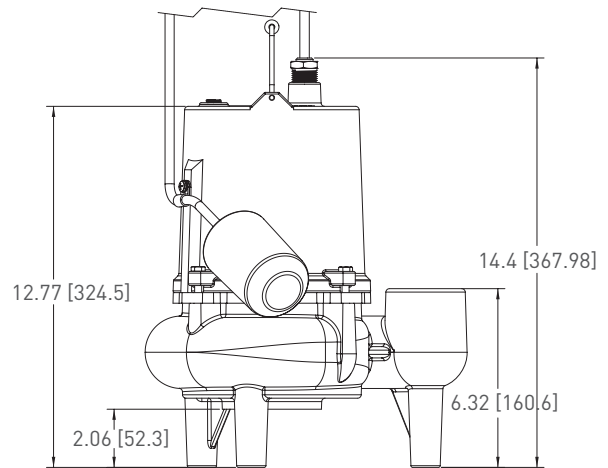
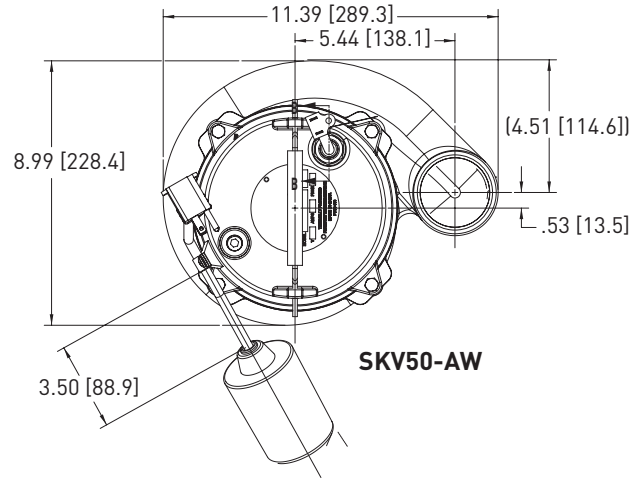
# SUBMERSIBLE SEWAGE EJECTOR PUMP MSKV50 SERIES

## PERFORMANCE DATA

PUMP/MOTOR UNIT	SUBMERSIBLE	
	Manual Models	MSKV50M1
Automatic Models	MSKV50A1 MSKV50AD1	--
Horsepower	1/2	
Full Load Amps	12	6.0
Motor Type	PSC	
R.P.M.	1650	
Phase Ø	1	
Voltage	115	230
Hertz	60	
Operation	Intermittent	
Insulation	Class B	
Discharge Size	2" NPT std.	
Solids Handling	2"	
Unit Weight	54 lbs.	
Power Cord	16/3, SJTW, 115V = 10' std. (20' opt.) 230V = 20' std.	

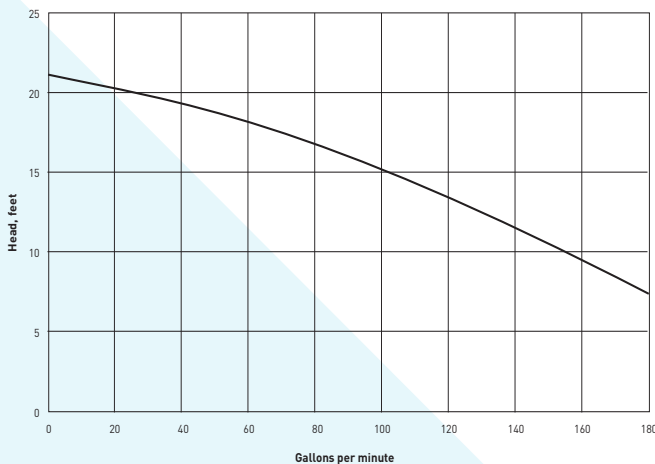
## DIMENSIONAL DATA

SWITCH	DIAPHRAGM	TETHERED
Pump On	12.25 [311.2]	14.00 [355.6]
Pump Off	3.75 [95.3]	7.50 [190.5]



All dimensions in inches. Component dimensions may vary ± 1/8 inch. Dimensional data not for construction purpose unless certified. Dimensions and weights are approximate. On/Off level adjustable.

## PUMP PERFORMANCE



293 Wright St  
Delavan, WI 53115  
Ph: 888.987.8677  
Fx: 800.426.9446

490 Pinebush Rd, Unit 4  
Cambridge, Ontario N1T 0A5, Canada  
Ph: 800.363.7867  
Fx: 888.606.5484

pentair.com

All indicated Pentair trademarks and logos are property of Pentair. Third party registered and unregistered trademarks and logos are the property of their respective owners. Because we are continuously improving our products and services, Pentair reserves the right to change specifications without prior notice. Pentair is an equal opportunity employer.

©2023 Pentair. All Rights Reserved.

MY99628 (08-01-23)