

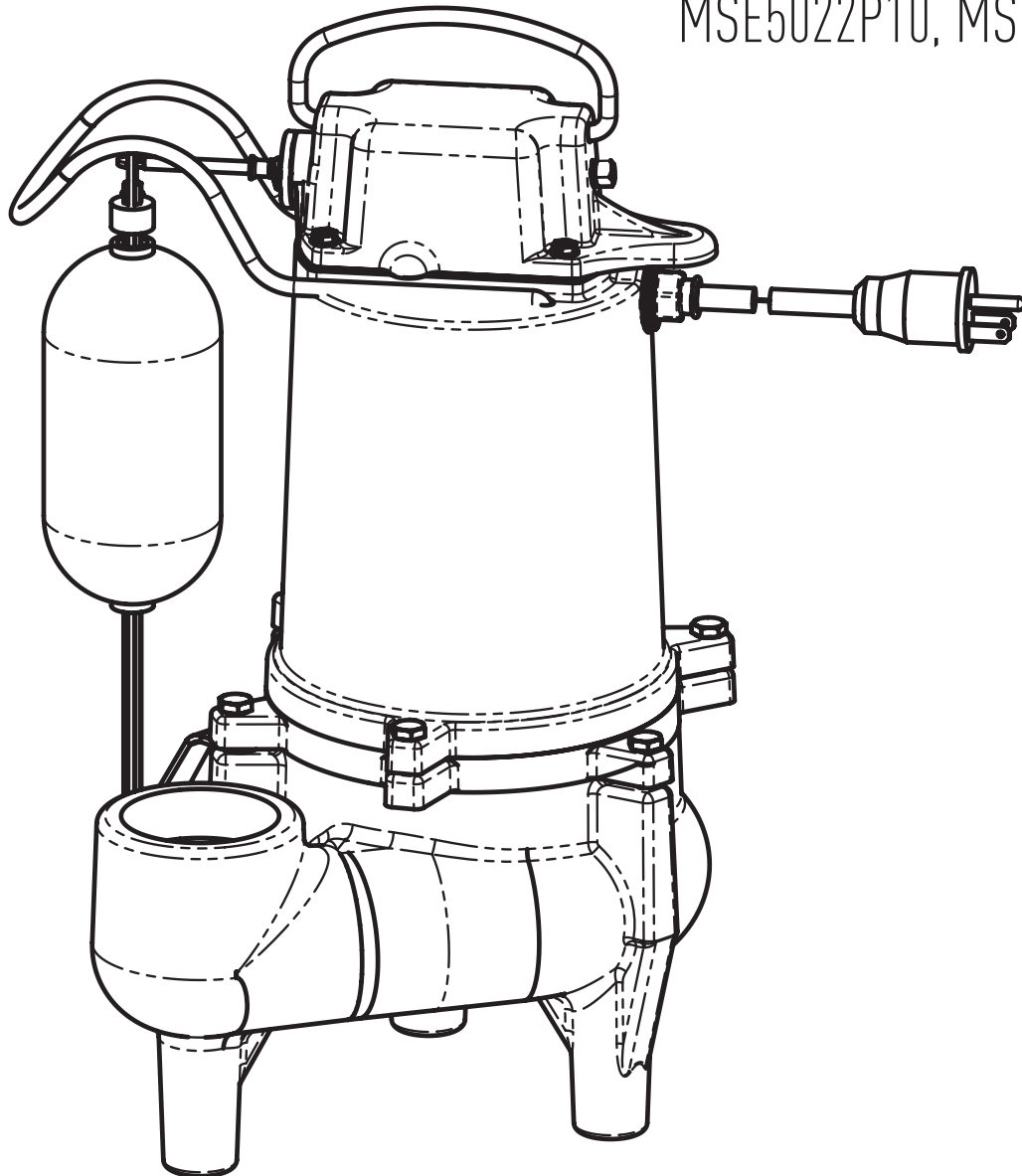


INSTALLATION AND SERVICE MANUAL
**MSE50 Submersible Sewage
Ejector Pump**

MYERS®

MODELS

MSE5012P10, MSE5012P20
MSE5022P10, MSE5022P20



NOTE! TO THE INSTALLER: Please make sure you provide this manual to the owner of the pumping equipment or to the responsible party who maintains the system.

General Information

Thank you for purchasing your Myers® pump. To help ensure years of trouble-free operation, please read the following manual carefully.

Before Operation:

Read the following instructions carefully. Reasonable care and safe methods should be practiced. Check local codes and requirements before installation.

Attention:

This manual contains important information for the safe use of this product. Read this manual completely before using this product and refer to it often for continued safe product use. DO NOT THROW AWAY OR LOSE THIS MANUAL. Keep it in a safe place so that you may refer to it often.

WARNING: Before handling these pumps and controls, always disconnect the power first. Do not smoke or use sparkable electrical devices or flames in a septic (gaseous) or possible septic sump.

California Proposition 65 Warning

▲ WARNING This product and related accessories contain chemicals known to the State of California to cause cancer, birth defects or other reproductive harm.

Pump Warning

To reduce risk of electrical shock:

1. Risk of Electrical Shock:

This pump has not been investigated for use in swimming pool areas.

2. Risk of Electrical Shock:

Connect only to a properly grounded receptacle.

Septic tank to be vented in accordance with local plumbing codes.

Do not smoke or use sparkable electrical devices or flame in a septic (gaseous) or possible septic sump.

If a septic sump condition exists and if entry into sump is necessary, then (1) provide proper safety precautions per OSHA requirements and (2) do not enter sump until these precautions are strictly adhered to.

Do not install pump in location classified as hazardous per N.E.C., ANSI/NFPA 70 - 2001.

Failure to heed above cautions could result in injury or death.

Pump Installation

These important instructions must be followed for satisfactory performance of your pump. Before installation, check your local electrical and plumbing codes.

1. Provide proper sump size to allow the pump to operate without restrictions. A two- to five-minute run time is recommended. Also, minimum 24" diameter recommended.
2. Make sure sump is free of string, cloth, nails, gravel, etc. before installing pump.
3. Do not set pump directly on the bottom of sump pit if it is not solid. Raise the

pump by placing bricks or concrete blocks underneath it.

4. Use steel or plastic pipe for all connecting lines between pump and sewer outlet.

NOTE: Some city regulations do not allow installing a pump with plastic pipe. Check local regulations.

5. In applications where the pump may sit idle for months at a time, it is recommended that the pump(s) be cycled every month to ensure the pumping system is working properly when needed.
6. A check valve should be installed in discharge pipe, at least 12" above the discharge outlet of the pump.

NOTE: If pumping raw sewage, the check valve must be installed in the horizontal position

7. An audible alarm system, for high water conditions should be installed in every pump for greater protection.
8. Connect to power source using 3-prong grounded AC receptacle. Do not remove ground pin from electrical plug. Do not use an extension cord.
9. Use pump partially or completely submerged for pumping (temperature to 140° F). The MSE50 will pump solid materials up to 2" (spherical) in diameter.

CAUTION: Do not pump flammable liquids, strong chemicals or salt water.

Pump Servicing

Servicing should be performed only by knowledgeable pump service contractors or authorized service stations.

1. *Remove pump from sump.* Before removing pump from sump pit for repair, check if the trouble could simply be a blown fuse, tripped circuit breaker, or a power cord not completely inserted into the receptacle.
2. *Check switch.*
3. *Check for impeller blockage.* Disconnect pump from power source. Check for an obstruction in the impeller cavity by laying the pump on its side and inserting a screwdriver into impeller. Impeller should turn freely. If impeller is stuck, then turn the pump on its side, DRAIN THE OIL through the oil fill plug on top of the pump. Drain oil into a clean, dry container. A milky appearance to the oil indicates that water has entered through either worn out or damaged seals (7) or seal ring. Remove the 3 screws (9) to remove the volute (2). If the impeller (8) does not rotate freely, clear the impeller and cavity walls before reassembling the base. Repeat Step 2.
4. *Check power cord.* If the above tests have not resolved the problem, it may be in the electrical components of the pump. Starting with the power cord (19), inspect for cuts or nicks in the insulation. If the cord is damaged – replace it!

5. *Remove the motor cover.* Use a screwdriver to pry the motor cover (10) from the seal plate (1) at the fastening ears, being careful not to cut the seal ring with the screwdriver or crack the motor cover. Lift the motor cover until it clears the stator (3).
6. *Check for short.* Disconnect the stator leads from the connector. Use an ohmmeter to check the continuity of the stator. If stator fails to pass the continuity test, it must be replaced.

Ground check. Set ohmmeter scale pointer to R X 100K scale and check meter by putting both meter leads together and adjusting the needle knob until meter reads zero. If meter cannot be adjusted to zero it will indicate that batteries in meter must be replaced.

Always make this test with the meter when scale pointer is set to a new scale before making any checks on motor.

Now connect one meter lead to one blade terminal of stator and touch other meter lead to motor stator shell (3). If needle reads below 5 (500,000 ohms) stator must be dried out before reusing. To dry out, bake in 220° oven for 4 hours. Recheck after motor cools. If motor is new or thoroughly dry, needle of ohmmeter will not move on the ground test. This indicates a reading of 50 megohms or higher. One megohm is one million ohms.

When making the ground test, if the needle goes clear to zero the motor probably has a wire touching the stator at some point and the stator will have to be replaced.

7. *Remove the stator.* To remove the stator, remove the four hex head screws (4) and disconnect the capacitor leads from the capacitor. Lift the stator off the seal plate (1) and set aside.
8. *Remove the impeller.* To remove the impeller (8), hold the rotor shaft (5) with a screwdriver at the center of the impeller and tap the impeller with a plastic or rubber mallet so as to turn the impeller counterclockwise.
9. *Check the seal.* Remove the rotating portion of seal (7) from shaft by inserting a screwdriver under the edge of the seal and lifting it off. Inspect the seal face for any nicks or an uneven seating of seal face. If any are present, replace the seal. (See Step 14.)

Full Load Amps:

115 Volt 9 Amps
230 Volt 4.6 Amps

10. *Remove rotor.* Tap the rotor shaft (5) at the impeller end of the shaft with a plastic mallet to remove the rotor and shaft. Inspect the bearings. If they do not rotate freely and smoothly, they should be replaced.

11. *Remove seal.* Remove the old stationary portion of the seal (7) from the seal plate by inserting a screwdriver into the seal housing of the seal plate from the top of the case and tapping lightly with a hammer. Clean the seal area of the seal plate (1) with a clean cloth.
12. *Reinstall the rotor and shaft assembly.* Push on outer face to seat bearing in seal plate.
13. *Reinstall seal.* Apply a good lubricant to the new stationary portion of the seal (7) and press into the seal plate. Coat the new rotating portion of seal with lubricant and press into place on the rotor shaft with the rubber ring facing the impeller.
14. *Reinstall impeller.* Add a drop of Loctite 222 to the shaft and screw the impeller on hand tight. The impeller will force the rotating portion of seal into position.
15. *Replace seal ring.* Remove the old square seal ring from the seal plate and stretch on a new ring coated with O-ring lube. Do not roll the ring onto the seal plate or improper seating and water leakage into the motor housing will result.
16. *Reinstall the stator.* Place the stator (3) in the seal plate (1) so the stator bolt holes line up. Lay the stator plate on the stator (3) and line up with stator bolt holes. Slide the ring terminal of the ground lead wire over one of the

stator bolts. Put in the stator bolts and tighten evenly to prevent cocking of the stator. Connect the capacitor to the capacitor leads. Push the connectors of the two black stator leads onto the power cord pin terminals. Push the ground wire sleeve terminal over the ground pin terminal. (identified with the 'bump' on the molded terminal housing)

17. *Reassemble pump.* Replace the motor cover (10) on the seal plate (1). Place the assembly on the volute (2). Insert the three cap screws (9) through the motor housing ears, into the tapped holes in the volute. Tighten them evenly to prevent cocking the motor housing and causing an uneven seal on the seal ring.

18. *Oil.* Fill the motor cap with high grade transformer oil just covering over stator end cap.

Do not fill the motor housing completely – allow airspace for oil expansion. Make sure the stator is fully immersed. You will have to peer through the oil plug hole to be sure of the correct oil level.

19. *Reinstall oil pipe plug.* Coat pipe threads with thread sealant before installing. Plug into housing (14).

20. *Check pump.* Plug the power cord into a grounded outlet and start pump by raising the switch rod extending out of the switch housing. Motor should run smoothly, be free

of vibration and stop when pressure is removed from diaphragm switch.

21. *Check for air lock.* Myers pumps have a small air vent hole in the impeller cavity to let out trapped air. If this hole becomes plugged, pump may air lock. To break the air lock, use a small screwdriver to clear hole in the impeller cavity.

Switch Replacement

As a secondary precaution in installations of this type – 1/16" hole should be drilled in the discharge pipe below the check valve. The check valve should be 12 to 18 inches above pump discharge. Do not put check valve directly into pump discharge opening.

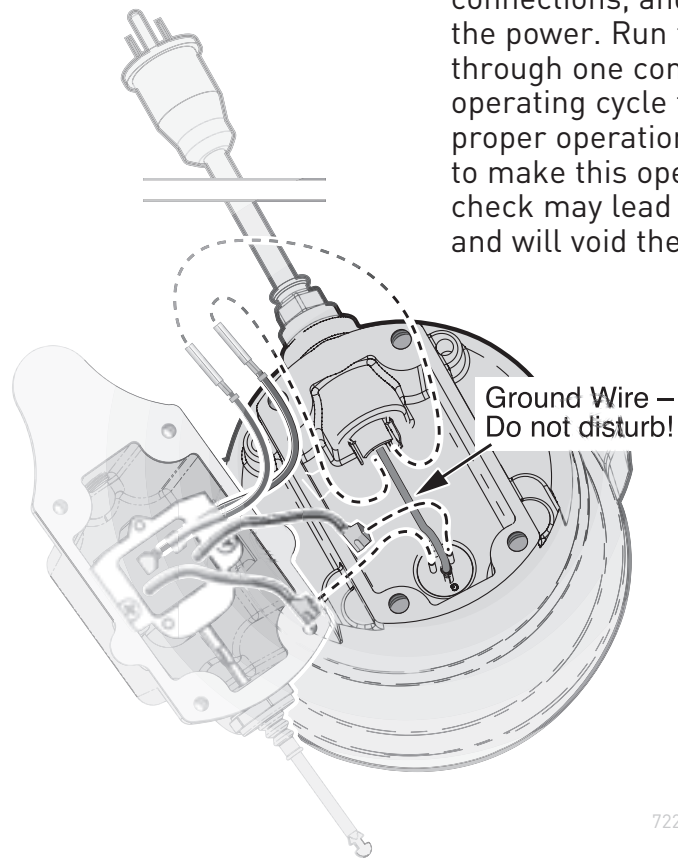
NOTE: In basins where the pump is operating daily, air locking rarely occurs.

1. Disconnect power to the pump.
2. Remove the pump from the sump. Disinfect it for one hour with chlorine bleach. Wear rubber gloves when handling the pump.
3. Remove the bottom tether strap from the float rod, lift the float and swing it sideways, and remove it from the switch arm.
4. Remove the four screws that secure the switch to the top of the motor housing and lift the switch off the motor. The switch guard may come off with it.

5. Disconnect four wires that connect the switch to the motor housing.
6. Remove and discard the gasket between the switch and the pump. Clean the gasket surface on the motor housing.
7. Remove old switch and replace.
8. Make sure the fork on the rod fits over the switch lever.
9. Set the new gasket on the motor housing, then connect the four wires on the new switch to the four terminals in the motor housing (see Figure)
NOTICE: When you connect the two power wires to the cord terminals, make sure that the wire ends don't lodge between the cord pin and the side of the cord plug. The connector must be on the pin.

10. With the switch guard in place, set the switch on the motor housing with the switch arm pointed toward the discharge side of the pump and install and tighten the four screws which secure the switch to the pump.

11. Holding the float out sideways, hook the float rod on to the switch arm and swing the float rod down.
12. Insert the float rod in the hole in the tether strap.
13. Reinstall the pump in the sump, check all piping connections, and reconnect the power. Run the pump through one complete operating cycle to check for proper operation. Failure to make this operational check may lead to flooding and will void the warranty.

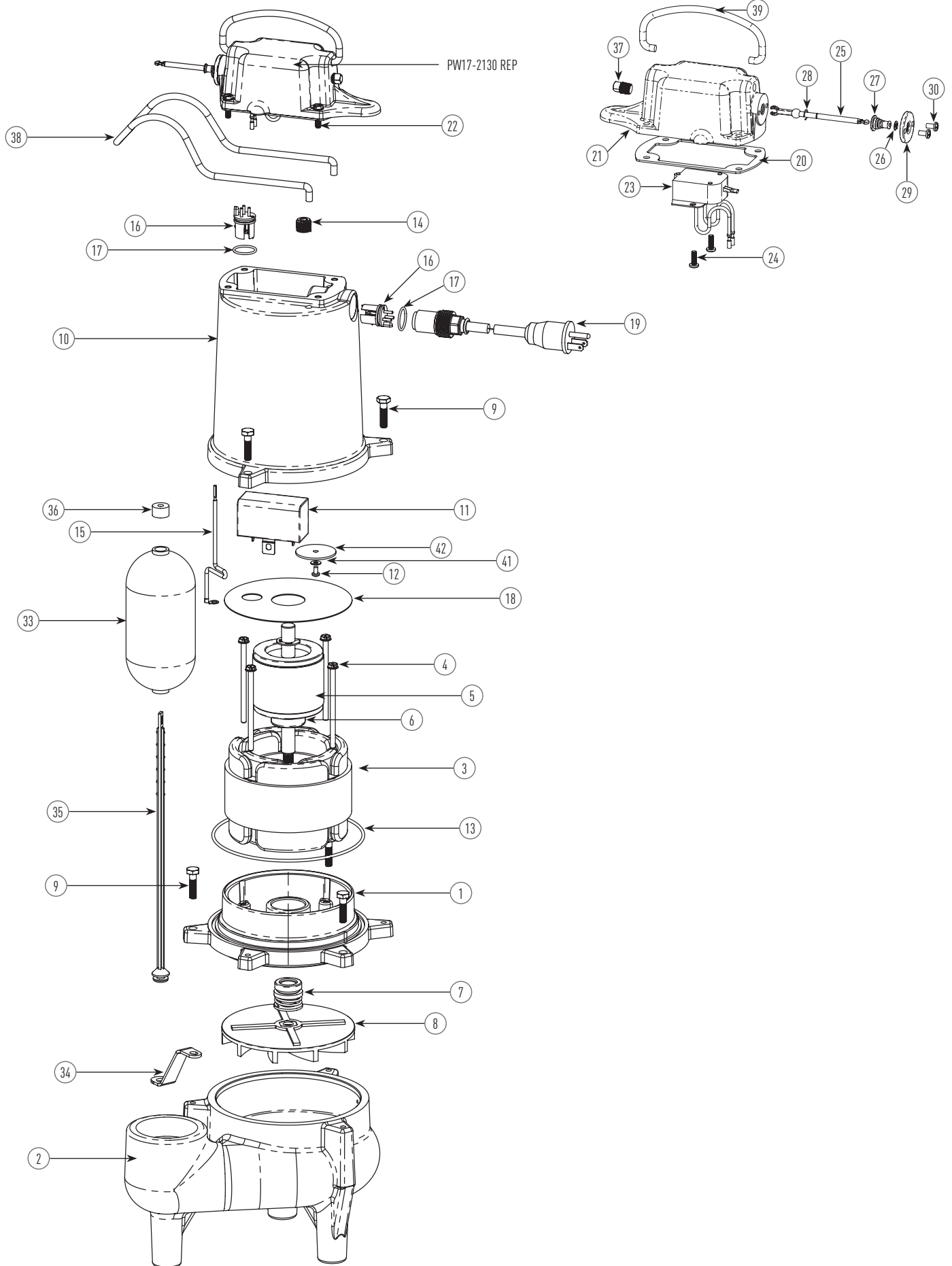


7222 0717

MSE50 - Parts List

Ref. No.	Description	Quantity	MSE5012P10	MSE5012P20	MSE5022P10	MSE5022P20
			Part Number	Part Number	Part Number	Part Number
1	SEAL PLATE	1.000			PW3-1421	
2	VOLUTE,SEWAGE .2" DISCH 2"	1.000			21612D000	
3	STATOR 4/10HP, 115V 1PH	1.000	26165B010			
	STATOR 4/10HP 230V 1PH	1.000				26165B011
4	SCREW-MACH(HEX HD)8-32X 3-3/16	4.000			001450101	
5	ASSEMBLY ROTOR 1/2 HP	1.000			27479A001	
6	BEARING-BALL	1.000			650241	
7	1/2 SHAFT SEAL	1.000			21607A015	
8	IMPELLER	1.000			21542B000	
9	HEX CAP SCREW	6.000			19099A012	
10	MOTOR COVER	1.000			PW18-1691	
11	RUN CAPACITOR 15MFD	1.000	U17-1540			
	RUN CAPACITOR 4MFD	1.000				U17-2150
12	SCREW	1.000			U30-985SS	
13	O-RING	1.000			U9-339	
14	PLUG	1.000			U78-94SST	
15	GREEN WIRE W/TERMINALS	1.000			PS17-2149	
16	CORD CONNECTOR	2.000			PS17-1508	
17	O-RING	2.000			U9-356	
18	INSULATING DISK	1.000			PS18-82	
19	CORD, POWER 10FT 115V	1.000	PW117-237-TSE			
	CORD, POWER 20FT 115V	1.000		PW117-122-TSE		
	CORD, POWER 10FT 230V	1.000			PW117-2126-TSE	
	CORD, POWER 20FT 230V	1.000				PW117-218-TSE
20*	GASKET, SWITCH COVER	1.000			PS20-126	
21*	SWITCH COVER	1.000			PW70-85	
22*	MACH SCREW	4.000			U30-482SS	
23*	FLOAT SWITCH	1.000			PS17-1511	
24*	SCREW 8-32 X 5/8 HEX HD	2.000			U30-951PSW	
25*	FLOAT PIVOT ARM	1.000			PS41-5	
26*	E-RING, EXTERNAL	1.000			U9-472SS	
27*	VITON SHAFT BELLOWS SEAL	1.000			U9-483	
28*	RETAINING RING C-CLIP	1.000			U9-461	
29*	BELLOWS RETAINER	1.000			PW19-142	
30*	SCREW	2.000			U30-957SS	
31*	WIRE, GROUND (NOT SHOWN)	1.000			PS17-1509	
32*	WIRE, CORD ENTRY TO SWITCH (NOT SHOWN)	2.000			PS17-1510	
33	FLOAT BODY	1.000			PS28-36P	
34	RUBBER STANDOFF	1.000			PW19-141	
35	FLOAT ROD	1.000			PW28-39	
36	FLOAT ROD STOP	1.000			U9-463	
37*	PIPE PLUG	1.000			M15743	
38	FLOAT PROTECTOR BRACKET	1.000			U97-194SS	
39*	HANDLE	1.000			U97-193SS	
40	OIL (NOT SHOWN)	0.227			P000VEL6	
41	WASHER	1.000			U43-144SS	
42	NYLON WASHER	1.000			U43-184	
*	SWITCH KIT	1.000			PW17-2130REP	

MODEL – MSE50



Limited Warranty

Myers® warrants to the original consumer purchaser ("Purchaser" or "You") of the products listed below, that they will be free from defects in material and workmanship for the Warranty Period shown below.

Product	Warranty Period whichever occurs first:
Jet pumps, small centrifugal pumps, submersible pumps and related accessories	12 months from date of original installation, or 18 months from date of manufacture
Fibrewound Tanks	5 years from date of original installation
Steel Pressure Tanks	5 years from date of original installation
Sump/Sewage/Effluent Products	12 months from date of original installation, or 36 months from date of manufacture
Battery Backup Units MBSP-2, MBSP-2C MBSP-3, MBSP-3C	12 months from date of original installation, or 18 months from date of manufacture 24 months from date of original installation, or 30 months from date of manufacture
Wastewater Solids Handling Pumps	12 months from date of shipment from factory or 18 months from date of manufacture

Our warranty applies only where such products are used in compliance with the requirements of the applicable product catalog and/or manuals. For additional information, please refer to the applicable standard limited warranty featured in the product manual.

Our warranty will not apply to any product that, in our sole judgement, has been subject to negligence, misapplication, improper installation, or improper maintenance. Without limiting the foregoing, operating a three phase motor with single phase power through a phase converter will void the warranty. Note also that three phase motors must be protected by three-leg, ambient compensated, extra-quick trip overload relays of the recommended size or the warranty is void.

Your only remedy, and MYERS's only duty, is that MYERS repair or replace defective products (at MYERS's choice). You must pay all labor and shipping charges associated with this warranty and must request warranty service through the installing dealer as soon as a problem is discovered. No request for service will be accepted if received after the Warranty Period has expired. This warranty is not transferable.

MYERS SHALL NOT BE LIABLE FOR ANY CONSEQUENTIAL, INCIDENTAL, OR CONTINGENT DAMAGES WHATSOEVER.

THE FOREGOING LIMITED WARRANTIES ARE EXCLUSIVE AND IN LIEU OF ALL OTHER EXPRESS AND IMPLIED WARRANTIES, INCLUDING BUT NOT LIMITED TO IMPLIED WARRANTIES OF MERCHANTABILITY AND FITNESS FOR A PARTICULAR PURPOSE. THE FOREGOING LIMITED WARRANTIES SHALL NOT EXTEND BEYOND THE DURATION PROVIDED HEREIN.

Some states do not allow the exclusion or limitation of incidental or consequential damages or limitations on the duration of an implied warranty, so the above limitations or exclusions may not apply to You. This warranty gives You specific legal rights and You may also have other rights which vary from state to state.

This Limited Warranty is effective April 1, 2014 and replaces all undated warranties and warranties dated before April 1, 2014.

F.E. MYERS

293 Wright Street, Delavan, WI 53115

Phone: 888-987-8677 • Fax: 800-426-9446 • www.femyers.com

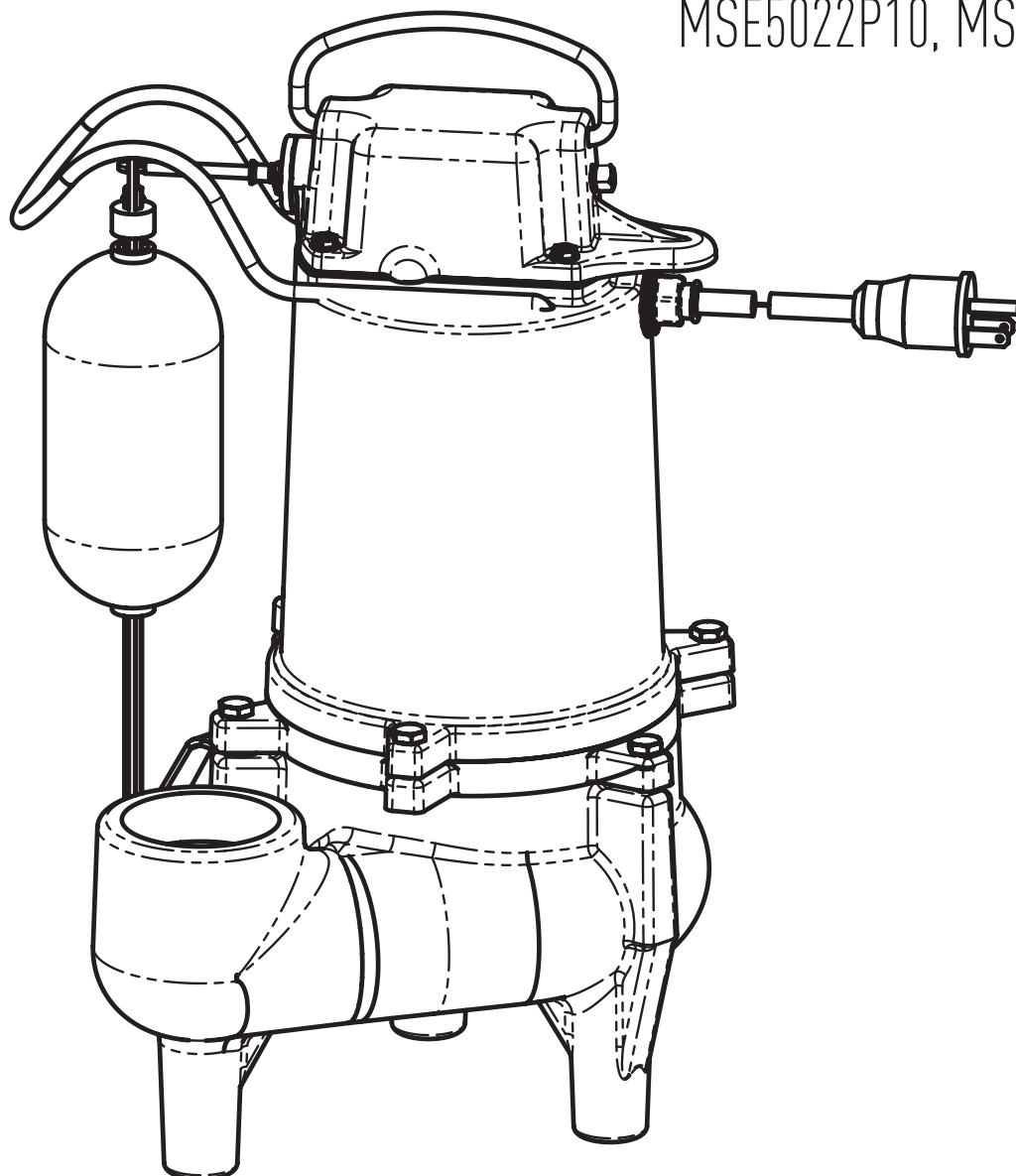
In Canada: 490 Pinebush Road, Unit 4, Cambridge, Ontario N1T 0A5

Phone: 800-363-7867 • Fax: 888-606-5484

MYERS®**MODÈLES**

MSE5012P10, MSE5012P20

MSE5022P10, MSE5022P20



REMARQUE : POUR L'INSTALLATEUR : Ne pas oublier de remettre ce manuel au propriétaire de l'équipement de pompage ou à la personne responsable de l'entretien du système.

Informations générales

Merci d'avoir acheté une pompe Myers®. Pour aider à assurer des années de fonctionnement sans problème, prière de lire soigneusement le manuel suivant.

Avant utilisation :

Lire soigneusement les instructions suivantes. Utiliser des méthodes d'entretien raisonnables et sûres. Vérifier les exigences et codes locaux avant l'installation.

Attention :

Le présent manuel contient des informations importantes pour une utilisation sûre de ce produit. Lire complètement ce manuel avant d'utiliser ce produit et le consulter souvent pour une utilisation continue sécuritaire du produit. **NE PAS JETER NI PERDRE LE PRÉSENT MANUEL.** Le conserver dans un endroit sûr pour pouvoir le consulter souvent.

AVERTISSEMENT: Avant de manipuler ces pompes et commandes, toujours commencer par débrancher l'alimentation électrique. Ne pas fumer ni utiliser d'appareils électriques produisant des étincelles ou des flammes dans une fosse septique (présence de gaz) ou possiblement septique.

Avertissement lié à la proposition 65 de la Californie

▲ AVERTISSEMENT Ce produit et les accessoires connexes contiennent des produits chimiques reconnus dans l'État de Californie comme pouvant provoquer des cancers, des anomalies congénitales ou d'autres dangers relatifs à la reproduction.

Avertissement relatif à la pompe

Pour réduire les risques d'électrocution :

1. Risque d'électrocution :

Cette pompe n'a pas été vérifiée pour une utilisation près d'une piscine.

2. Risque d'électrocution :

Brancher seulement dans une prise correctement reliée à la terre.

La fosse septique doit être reliée à l'air libre conformément aux codes de plomberie locaux.

Ne pas fumer ni utiliser d'appareils électriques produisant des étincelles ou des flammes dans une fosse septique (présence de gaz) ou possiblement septique.

Si les conditions sont celles d'une fosse septique et s'il est nécessaire d'entrer dans le puisard, il faut (1) prévoir des précautions de sécurité conformes aux exigences de l'OSHA et (2) ne pas pénétrer dans le puisard sans que ces précautions soient absolument respectées.

Ne pas installer la pompe dans des endroits classés comme dangereux selon N.E.C., ANSI/NFPA70 - 2001.

Tout non-respect des précautions ci-dessus pourrait entraîner des blessures ou la mort.

Installation de la pompe

Il est nécessaire de suivre ces instructions importantes pour que la pompe fonctionne de façon satisfaisante. Avant l'installation, vérifier les codes de l'électricité et de la plomberie locaux.

1. Prévoir un puisard de taille suffisante pour que la pompe fonctionne sans limitations. Un temps de fonctionnement de deux à cinq minutes est recommandé. On recommande également un diamètre minimum de 24 pouces.
2. Vérifier que le puisard ne contient pas de ficelle, vêtements, clous, graviers, etc. avant l'installation de la pompe.
3. Ne pas poser la pompe directement sur le fond du puisard s'il n'est pas compact.

Soulever la pompe en plaçant dessous des briques ou des blocs de béton.

4. Utiliser un tuyau en acier ou en plastique pour toutes les conduites reliant la pompe à l'égout.

REMARQUE : Certains règlements municipaux n'autorisent pas l'installation d'une pompe avec un tuyau en plastique. Vérifier la réglementation locale.

5. Dans les applications pour lesquelles la pompe peut rester sans fonctionner pendant plusieurs mois, il est recommandé de faire tourner la pompe chaque mois pour s'assurer que le système de pompage fonctionnera correctement en cas de besoin.
6. Un clapet antiretour doit être installé dans le tuyau de refoulement, à au moins 12 po au-dessus de l'orifice de refoulement de la pompe.

REMARQUE : En cas de pompage d'eaux usées brutes, le clapet antiretour doit être installé en position horizontale

7. Un signal d'alarme sonore pour inondation devrait être installé avec chaque pompe pour une meilleure protection.
8. Brancher la fiche d'alimentation sur une prise C.A. à trois broches reliée à la terre. Ne pas retirer la broche de terre de la fiche électrique. Ne pas utiliser de rallonge.
9. Utiliser la pompe partiellement ou complètement immergée pour le pompage (température jusqu'à 140 °F). La MSE50 pompera les matériaux solides (sphériques) d'un diamètre pouvant atteindre 2 po.

ATTENTION : Ne pas pomper de liquides inflammables, de produits chimiques forts, ni d'eau salée.

Entretien de la pompe

L'entretien doit être exécuté uniquement par des entreprises d'entretien des pompes compétentes ou les stations d'entretien autorisées.

1. *Dépose de la pompe du puisard.*
Avant de retirer la pompe du puisard pour la réparer, vérifier si le problème ne vient pas simplement d'un fusible grillé, d'un disjoncteur déclenché ou d'un cordon d'alimentation mal branché.
2. *Vérification de l'interrupteur.*
3. *Vérification du blocage de la turbine.*
Débrancher la pompe de la source d'alimentation. Vérifier si la cavité de la turbine est bouchée en couchant la pompe sur le côté et en insérant un tournevis dans la turbine. La turbine devrait tourner librement. Si la turbine est bloquée, tourner la pompe sur le côté, VIDANGER L'HUILE par le bouchon de remplissage d'huile sur le dessus de la pompe. Vidanger l'huile dans un contenant propre et sec. Si l'huile est laiteuse, cela indique que de l'eau est entrée par des joints usés ou endommagés (7) ou par la bague d'étanchéité. Retirer les 3 vis (9) pour déposer la volute (2). Si la turbine (8) ne tourne pas librement, nettoyer la turbine et les parois de la cavité avant de remonter la base. Répéter l'étape 2.
4. *Vérification du cordon d'alimentation.* Si les tests précédents n'ont pas résolu le problème, il peut résider dans les composants électriques de la pompe. En commençant par le cordon d'alimentation (19), vérifier la présence de coupures ou entailles dans l'isolant. Si le cordon est endommagé, il doit être remplacé!

5. *Dépose du couvercle du moteur.*
Utiliser un tournevis pour décoller le couvercle du moteur (10) de la plaque d'étanchéité (1) aux pattes de fixation, en faisant attention à ne pas couper la bague d'étanchéité avec le tournevis et à ne pas fissurer le couvercle du moteur. Soulever le couvercle du moteur jusqu'à ce qu'il passe au-dessus du stator (3).

6. *Vérification des courts-circuits.*
Débrancher les fils de stator du connecteur. Utiliser un ohmmètre pour vérifier la continuité du stator. En cas d'échec du stator au test de continuité, il doit être remplacé.

Vérification de la terre. Régler le pointeur d'échelle de l'ohmmètre sur l'échelle R X 100K et vérifier l'appareil en faisant toucher les deux fils et en ajustant le bouton jusqu'à ce que l'aiguille indique zéro. Si l'ohmmètre ne peut pas être réglé à zéro, cela indique que les piles de l'appareil doivent être remplacées.

Effectuer toujours ce test avec l'ohmmètre lorsque le pointeur est réglé sur une nouvelle échelle avant toute vérification sur le moteur.

Ne jamais brancher un fil de l'ohmmètre à une borne à lame du stator et toucher l'enveloppe du stator avec l'autre fil de l'ohmmètre (3). Si l'aiguille indique une valeur inférieure à 5 (500 000 ohms), il faut faire sécher le stator avant de le réutiliser. Pour le faire sécher, le placer dans un four à 220° pendant 4 heures. Faire une nouvelle vérification après que le moteur ait refroidi. Si le moteur est neuf ou bien sec, l'aiguille de l'ohmmètre ne bougera pas lors de l'essai de mise à la terre. Cela indique une mesure de 50 mégohms ou plus. Un mégohm est égal à un million d'ohms.

Pendant l'essai de mise à la terre, si l'aiguille dépasse le zéro, il est probable qu'un fil du moteur touche le stator à un endroit quelconque et que le stator devra être remplacé.

7. *Dépose du stator.* Pour déposer le stator, retirer les quatre vis (4) à tête à six pans creux et débrancher les fils du condensateur. Soulever le stator de la plaque d'étanchéité (1) et le mettre de côté.
8. *Dépose de la turbine.* Pour déposer la turbine (8), maintenir l'arbre de rotor (5) avec un tournevis au centre de la turbine et taper sur la turbine avec un maillet en plastique ou en caoutchouc pour la faire tourner dans le sens antihoraire.
9. *Vérification du joint.* Déposer la partie rotative du joint (7) de l'arbre en insérant un tournevis sous le bord du joint et en le soulevant. Vérifier si la face du joint comporte des entailles ou des traces d'une assise inégale. Si c'est le cas, remplacer le joint.
(Voir l'étape 14.)

Intensité à pleine charge :

115 V..... 9 A

230 V..... 4,6 A

10. *Dépose du rotor.* Taper sur l'arbre du rotor (5) du côté rotor de l'arbre avec un maillet en plastique afin de déposer le rotor et l'arbre. Inspecter les roulements. S'ils ne tournent pas librement et en douceur, ils doivent être remplacés.

11. *Dépose du joint.* Déposer la partie fixe de l'ancien joint (7) de la plaque d'étanchéité en insérant un tournevis dans le carter de joint de la plaque d'étanchéité depuis le dessus du boîtier en tapant légèrement avec un marteau. Nettoyer la surface d'étanchéité de la plaque (1) avec un chiffon propre.
12. *Remontage du rotor et de l'arbre.* Appuyer sur la face extérieure pour enfoncer le roulement dans la plaque d'étanchéité.
13. *Remontage du joint.* Appliquer un bon lubrifiant sur la partie fixe du joint neuf (7) et l'enfoncer dans la plaque d'étanchéité. Enduire de lubrifiant la partie rotative du joint neuf et l'enfoncer en place sur l'arbre du rotor avec la bague en caoutchouc face à la turbine.
14. *Remontage de la turbine.* Ajouter une goutte de Locktite 222 sur l'arbre et serrer la turbine à la main. La turbine forcera la partie rotative du joint en position.
15. *Remplacement de la bague d'étanchéité.* Déposer l'ancienne bague d'étanchéité carrée de la plaque d'étanchéité et mettre en place une nouvelle bague enduite de lubrifiant pour joint torique.
Ne pas faire rouler la bague sur la plaque d'étanchéité sinon l'appui ne sera pas correct et de l'eau risque de pénétrer dans le carter du moteur.
16. *Remontage du stator.* Placer le stator (3) dans la plaque d'étanchéité (1) de façon à ce que les trous des boulons du stator soient alignés. Placer la plaque de stator sur le stator (3) et l'aligner avec les trous des boulons du stator. Faire glisser la cosse circulaire du fil

de masse sur un des boulons du stator. Mettre en place les boulons du stator et les serrer uniformément pour éviter une déformation du stator. Brancher les fils du condensateur.

Enfoncer les connecteurs des deux fils noirs du stator sur les bornes à broches du cordon d'alimentation. Pousser la borne à douille du fil de terre sur la borne à broche de terre. (Identifiée par la « bosse » sur le logement de borne moulé)

17. *Remontage de la pompe.* Remettre en place le couvercle du moteur (10) sur la plaque d'étanchéité (1). Placer l'ensemble sur la volute (2). Insérer les trois vis d'assemblage (9) à travers les pattes du carter du moteur et dans les trous filetés dans la volute. Les serrer de façon uniforme pour éviter de déformer le carter du moteur et de causer un joint inégal sur la bague d'étanchéité.
18. *Huile.* Remplir le capuchon du moteur avec de l'huile pour transformateur de haute qualité en couvrant juste le capuchon d'extrémité du stator.
Ne pas remplir complètement le carter du moteur – laisser de la place pour l'expansion de l'huile. Vérifier que le stator est totalement immergé. Il est nécessaire de regarder par le trou du bouchon d'huile pour vérifier si le niveau d'huile est correct.
19. *Remise en place du bouchon du tuyau d'huile.* Enduire les filets du tuyau avec du produit d'étanchéité pour filets avant le remontage. Le mettre dans le carter (14).
20. *Vérification de la pompe.* Brancher le cordon d'alimentation sur une prise

reliée à la terre et démarrer la pompe en soulevant la tige d'interrupteur sortant du boîtier d'interrupteur. Le moteur devrait tourner en douceur, sans vibrations et s'arrêter quand aucune pression n'est appliquée sur l'interrupteur à diaphragme.

21. *Vérification du blocage par l'air.* Les pompes Myers ont un petit trou d'aération dans la cavité de la turbine pour laisser sortir l'air enfermé. Si le trou se bouche, la pompe peut être bloquée par l'air. Pour résoudre ce problème, utiliser un petit tournevis pour déboucher le trou dans la cavité de la turbine.

Remplacement de l'interrupteur

Comme précaution supplémentaire dans les installations de ce type, un trou de 1/16 po pourrait être percé dans le tuyau de refoulement sous le clapet antiretour. Le clapet antiretour devrait être situé entre 12 et 18 pouces au-dessus du refoulement de la pompe. Ne pas placer le clapet antiretour directement dans l'ouverture de refoulement de la pompe.

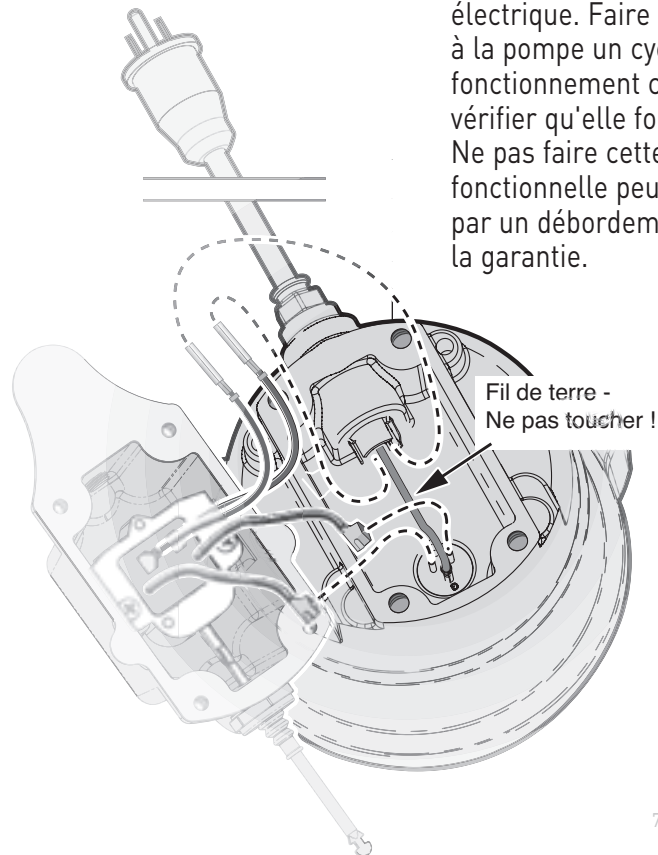
REMARQUE: Dans les puisards où la pompe fonctionne quotidiennement, il se produit rarement un blocage par l'air.

1. Couper l'alimentation électrique de la pompe.
2. Retirer la pompe du puisard.
La désinfecter pendant une heure avec de l'eau de Javel. Porter des gants en caoutchouc pour manipuler la pompe.

3. Retirer la sangle de fixation inférieure de la tige de flotteur, lever le flotteur et le faire pivoter sur le côté et le déposer du bras d'interrupteur.
4. Déposer les quatre vis fixant l'interrupteur au-dessus du carter du moteur et séparer l'interrupteur du moteur. Il est possible que le protège-interrupteur se détache en même temps.
5. Débrancher les quatre fils connectant l'interrupteur au carter du moteur.
6. Retirer et mettre au rebut le joint entre l'interrupteur et la pompe. Nettoyer la surface du joint sur le carter du moteur.
7. Retirer l'ancien interrupteur et le remplacer.
8. S'assurer que la fourchette sur la tige s'adapte au levier de l'interrupteur.
9. Mettre en place le nouveau joint sur le carter du moteur, puis brancher les quatre fils du nouvel interrupteur aux quatre bornes dans le carter du moteur (voir la figure).

REMARQUE : Lors du branchement des deux fils d'alimentation sur les bornes du cordon, s'assurer que les extrémités des fils ne se logent pas entre la broche du cordon et le côté de la fiche du cordon. Le connecteur doit être sur la broche.

10. Le protège-interrupteur étant en place, installer l'interrupteur sur le carter du moteur, avec le bras de l'interrupteur orienté vers le côté refoulement de la pompe, et poser et serrer les quatre vis fixant l'interrupteur à la pompe.



11. En maintenant le flotteur de côté, accrocher la tige du flotteur au bras de l'interrupteur et faire pivoter la tige du flotteur vers le bas.
12. Insérer la tige du flotteur dans le trou de la sangle de fixation.
13. Réinstaller la pompe dans le puisard; vérifier tous les raccordements de tuyauterie et rebrancher l'alimentation électrique. Faire faire à la pompe un cycle de fonctionnement complet pour vérifier qu'elle fonctionne bien. Ne pas faire cette vérification fonctionnelle peut se traduire par un débordement et annulera la garantie.

7222 0717

MSE50 - Nomenclature

N° de réf.	Description	Quantité	MSE5012P10	MSE5012P20	MSE5022P10	MSE5022P20
			Numéro de pièce	Numéro de pièce	Numéro de pièce	Numéro de pièce
1	PLAQUE D'ÉTANCHÉITÉ	1.000			PW3-1421	
2	VOLUTE, EAUX USÉES. 2 PO REFOUL. 2 PO	1.000			21612D000	
3	STATOR 4/10 HP, 115 V 1 PH	1.000	26165B010			
	STATOR 4/10 HP, 230 V 1 PH	1.000				26165B011
4	VIS (TÊTE À SIX PANS) 8-32X 3-3/16	4.000			001450101	
5	ENSEMBLE ROTOR 1/2 HP	1.000			27479A001	
6	ROULEMENT À BILLES	1.000			650241	
7	JOINT D'ARBRE 1/2	1.000			21607A015	
8	TURBINE	1.000			21542B000	
9	VIS À TÊTE À SIX PANS	6.000			19099A012	
10	COUVERCLE DU MOTEUR	1.000			PW18-1691	
11	CONDENSATEUR DE MARCHE 15 µF	1.000	U17-1540			
	CONDENSATEUR DE MARCHE 4 µF	1.000				U17-2150
12	VIS	1.000			U30-985SS	
13	JOINT TORIQUE	1.000			U9-339	
14	BOUCHON	1.000			U78-94SST	
15	FIL VERT AVEC BORNES	1.000			PS17-2149	
16	CONNECTEUR DE CORDON	2.000			PS17-1508	
17	JOINT TORIQUE	2.000			U9-356	
18	DISQUE ISOLANT	1.000			PS18-82	
19	CORDON D'ALIMENTATION, 10 PI 115 V	1.000	PW117-237-TSE			
	CORDON D'ALIMENTATION, 20 PI 115 V	1.000		PW117-122-TSE		
	CORDON D'ALIMENTATION, 10 PI 230 V	1.000			PW117-2126-TSE	
	CORDON D'ALIMENTATION, 20 PI 230V	1.000				PW117-218-TSE
20*	JOINT, COUVERCLE D'INTERRUPTEUR	1.000			PS20-126	
21*	COUVERCLE D'INTERRUPTEUR	1.000			PW70-85	
22*	VIS D'ASSEMBLAGE	4.000			U30-482SS	
23*	INTERRUPTEUR FLOTTEUR	1.000			PS17-1511	
24*	VIS 8-32 X 5/8 TÊTE À SIX PANS	2.000			U30-951PSW	
25*	FLOTTEUR À BRAS PIVOTANT	1.000			PS41-5	
26*	ANNEAU DE RETENUE EN E, EXTERNE	1.000			U9-472SS	
27*	JOINT DE SOUFFLET D'ARBRE EN VITON	1.000			U9-483	
28*	CIRCLIPS DE BAGUE DE RETENUE	1.000			U9-461	
29*	PIÈCE DE RETENUE DE SOUFFLETS	1.000			PW19-142	
30*	VIS	2.000			U30-957SS	
31*	FIL DE TERRE (NON ILLUSTRÉ)	1.000			PS17-1509	
32*	FIL, ENTRÉE DU CORDON DANS INTERRUPTEUR (NON ILLUSTRÉ)	2.000			PS17-1510	
33	CORPS DE FLOTTEUR	1.000			PS28-36P	
34	ÉCARTEUR EN CAOUTCHOUC	1.000			PW19-141	
35	TIGE DE FLOTTEUR	1.000			PW28-39	
36	BUTÉE DE TIGE DE FLOTTEUR	1.000			U9-463	
37*	BOUCHON DE TUYAU	1.000			M15743	
38	SUPPORT PROTECTEUR DE FLOTTEUR	1.000			U97-194SS	
39*	POIGNÉE	1.000			U97-193SS	
40	HUILE (NON ILLUSTRÉE)	0.227			P000VEL6	
41	RONDELLE	1.000			U43-144SS	
42	RONDELLE EN NYLON	1.000			U43-184	
*	TROUSSE D'INTERRUPTEUR	1.000			PW17-2130REP	

Limited Warranty

Myers® warrants to the original consumer purchaser ("Purchaser" or "You") of the products listed below, that they will be free from defects in material and workmanship for the Warranty Period shown below.

Product	Warranty Period whichever occurs first:
Jet pumps, small centrifugal pumps, submersible pumps and related accessories	12 months from date of original installation, or 18 months from date of manufacture
Fibrewound Tanks	5 years from date of original installation
Steel Pressure Tanks	5 years from date of original installation
Sump/Sewage/Effluent Products	12 months from date of original installation, or 36 months from date of manufacture
Battery Backup Units MBSP-2, MBSP-2C MBSP-3, MBSP-3C	12 months from date of original installation, or 18 months from date of manufacture 24 months from date of original installation, or 30 months from date of manufacture
Wastewater Solids Handling Pumps	12 months from date of shipment from factory or 18 months from date of manufacture

Our warranty applies only where such products are used in compliance with the requirements of the applicable product catalog and/or manuals. For additional information, please refer to the applicable standard limited warranty featured in the product manual.

Our warranty will not apply to any product that, in our sole judgement, has been subject to negligence, misapplication, improper installation, or improper maintenance. Without limiting the foregoing, operating a three phase motor with single phase power through a phase converter will void the warranty. Note also that three phase motors must be protected by three-leg, ambient compensated, extra-quick trip overload relays of the recommended size or the warranty is void.

Your only remedy, and MYERS's only duty, is that MYERS repair or replace defective products (at MYERS's choice). You must pay all labor and shipping charges associated with this warranty and must request warranty service through the installing dealer as soon as a problem is discovered. No request for service will be accepted if received after the Warranty Period has expired. This warranty is not transferable.

MYERS SHALL NOT BE LIABLE FOR ANY CONSEQUENTIAL, INCIDENTAL, OR CONTINGENT DAMAGES WHATSOEVER.

THE FOREGOING LIMITED WARRANTIES ARE EXCLUSIVE AND IN LIEU OF ALL OTHER EXPRESS AND IMPLIED WARRANTIES, INCLUDING BUT NOT LIMITED TO IMPLIED WARRANTIES OF MERCHANTABILITY AND FITNESS FOR A PARTICULAR PURPOSE. THE FOREGOING LIMITED WARRANTIES SHALL NOT EXTEND BEYOND THE DURATION PROVIDED HEREIN.

Some states do not allow the exclusion or limitation of incidental or consequential damages or limitations on the duration of an implied warranty, so the above limitations or exclusions may not apply to You. This warranty gives You specific legal rights and You may also have other rights which vary from state to state.

This Limited Warranty is effective April 1, 2014 and replaces all undated warranties and warranties dated before April 1, 2014.

F.E. MYERS

293 Wright Street, Delavan, WI 53115

Phone: 888-987-8677 • Fax: 800-426-9446 • www.femyers.com

In Canada: 490 Pinebush Road, Unit 4, Cambridge, Ontario N1T 0A5

Phone: 800-363-7867 • Fax: 888-606-5484

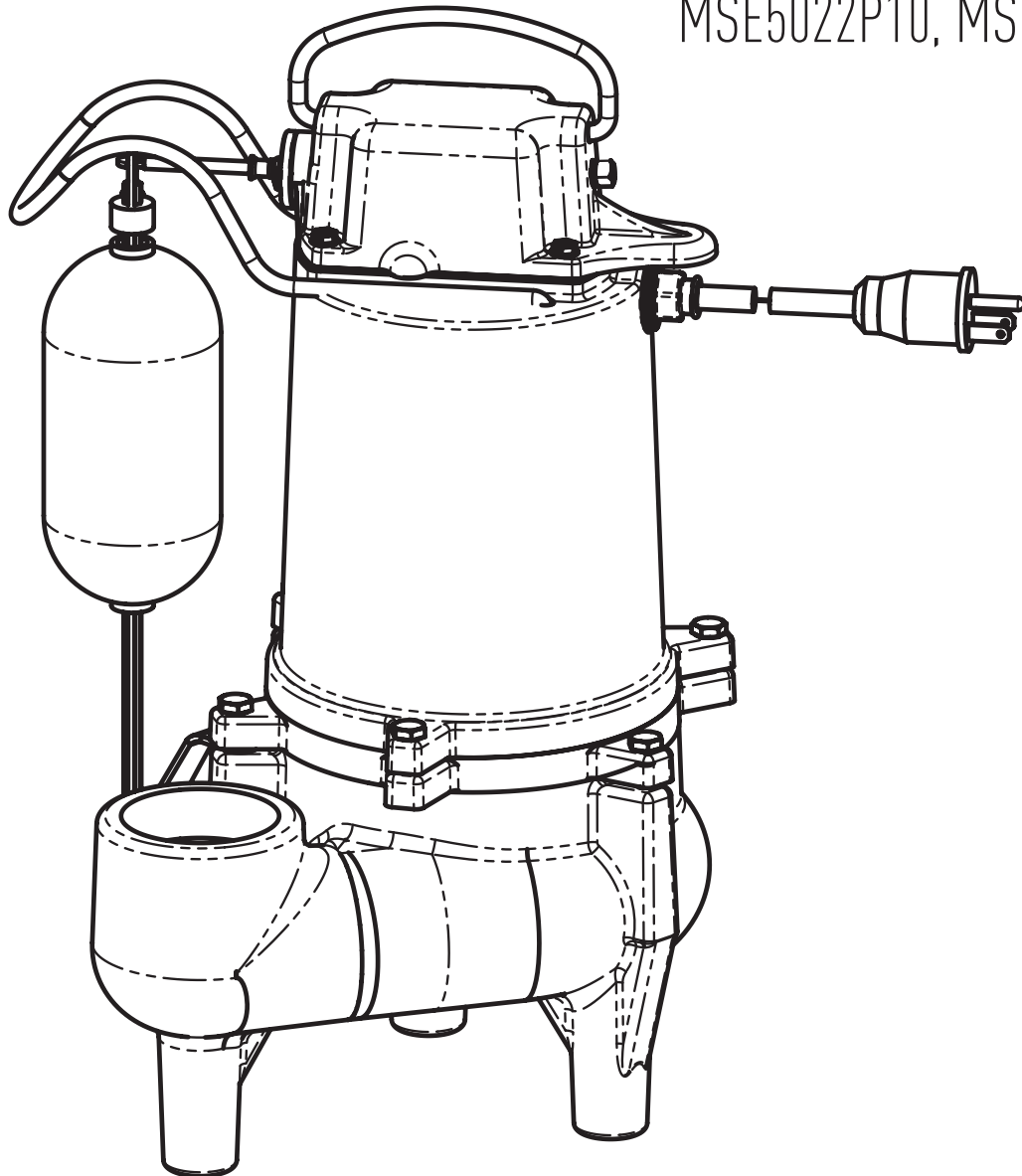


MANUAL DE INSTALACIÓN Y SERVICIO
**Bomba cloacal de chorro
sumergible MSE50**

MYERS®

MODELOS

MSE5012P10, MSE5012P20
MSE5022P10, MSE5022P20



¡NOTA! AL INSTALADOR: Es importante entregarle este manual al propietario de la máquina de bombear o a la persona responsable del mantenimiento del sistema.

Información general

Gracias por su compra de la bomba Myers®. Para ayudar a garantizar años de funcionamiento sin problemas, es importante leer el siguiente manual atentamente.

Antes de la operación:

Lea las siguientes instrucciones atentamente. Es importante adoptar métodos seguros y un cuidado razonable. Consulte las normas y los requerimientos locales antes de la instalación.

Atención:

Este manual contiene información importante para el uso seguro de este producto. Lea todo este manual antes de utilizar este producto y consúltelo a menudo para garantizar el uso continuo seguro del producto. **NO DESCARTE NI PIERDA ESTE MANUAL.** Guárdelo en un lugar seguro para poder consultarlo a menudo.

ADVERTENCIA: Antes de manipular estas bombas y estos controles, siempre se debe desconectar la alimentación eléctrica primero. No fume ni use aparatos eléctricos que puedan producir chispas o llamas en un foso séptico (gaseoso) o posiblemente séptico.

Advertencia de la Proposición 65 de California

ADVERTENCIA Este producto y sus accesorios contienen sustancias químicas consideradas por el Estado de California como carcinógenas, que pueden provocar defectos congénitos u otros daños al sistema reproductor.

Advertencia sobre la bomba

Para reducir el peligro de choque eléctrico:

1. Peligro de choque eléctrico:

Esta bomba no ha sido investigada para su uso en áreas de piscinas de natación.

2. Peligro de choque eléctrico:

Conéctela solamente a un receptáculo debidamente puesto a tierra.

Es necesario ventilar el tanque séptico conforme a las normas locales de plomería.

No fume ni use aparatos eléctricos que puedan producir chispas o llamas en un foso séptico (gaseoso) o posiblemente séptico.

Si existe una situación de foso séptico y es necesario ingresar al mismo, entonces (1) tome las precauciones de seguridad adecuadas conforme a los requerimientos de OSHA y (2) no ingrese al foso hasta que no se hayan cumplido estrictamente con estas precauciones.

No instale la bomba en un lugar clasificado como peligroso por la N.E.C., ANSI/NFPA 70-2001.

La falta de cumplimiento con las precauciones indicadas arriba puede resultar en lesiones o muerte.

Instalación de la bomba

Se deben seguir estas instrucciones importantes para un desempeño satisfactorio de su bomba. Antes de la instalación, consulte las normas locales eléctricas y de plomería.

1. Proporcione el tamaño de foso correcto para permitir que la bomba funcione sin restricciones. Se recomienda un tiempo de marcha de dos a cinco minutos. También se recomienda un diámetro de 24" (60.96 cm) como mínimo.
2. Cerciórese de que el foso no tenga hilos, paños, clavos, gravilla, etc. antes de instalar la bomba.
3. No coloque la bomba directamente en el fondo del foso si no es sólido. Eleve la

bomba, colocando ladrillos o bloques de hormigón debajo de la misma.

4. Use una tubería de acero o de plástico para todas las líneas de conexión entre la bomba y la salida cloacal.

NOTA: Ciertos reglamentos públicos no permiten la instalación de bombas con tuberías de plástico. Consulte las normas locales.

5. En usos en donde la bomba puede permanecer sin uso por varios meses, se recomienda hacer pasar la bomba (bombas) por un ciclo, todos los meses, para garantizar que el sistema de bombeo funcione correctamente cuando se necesite.
6. Se debe instalar una válvula de retención en la tubería de descarga, al menos 12" (30.48 cm) por encima de la salida de descarga de la bomba.

NOTA: Si se bombean aguas residuales, se debe instalar la válvula de retención en posición horizontal.

7. Se debe instalar un sistema de alarma audible para condiciones de nivel alto del agua en cada bomba para mayor protección.
8. Conéctela a la fuente de alimentación eléctrica usando un receptáculo de CA de tres puntas, puesto a tierra. No saque la clavija a tierra de la ficha eléctrica. No utilice un cordón de alargue.
9. Use la bomba sumergida parcial o completamente para bombear (temperatura hasta 140° F (60°C)). La MSE50 bombeará materiales sólidos de hasta 2" (5.08 cm) (esféricos) de diámetro.

PRECAUCIÓN: No bombee líquidos inflamables, sustancias químicas fuertes o agua salada.

Servicio/Mantenimiento de la bomba

El servicio/mantenimiento de la bomba debe ser realizado solamente por contratistas con conocimiento de mantenimiento de bombas o por estaciones de servicio autorizadas.

1. *Retire la bomba del foso.* Antes de retirar la bomba del foso para repararla, verifique que el problema no sea simplemente un fusible quemado, un disyuntor activado o un cordón eléctrico que no esté completamente insertado en el receptáculo.
2. *Chequee el interruptor.*
3. *Verifique que el impulsor no esté bloqueado.* Desconecte la bomba de la fuente de alimentación eléctrica. Verifique que no haya obstrucción en la cavidad del impulsor, colocando la bomba sobre un costado e insertando un destornillador en el impulsor. El impulsor debería girar libremente. Si el impulsor está atascado, entonces coloque la bomba sobre un costado, DRENE EL ACEITE a través del tapón de llenado de aceite en la parte superior de la bomba. Drene el aceite en un envase limpio y seco. Si el aceite tiene un aspecto lechoso, eso indica que ha entrado agua por las juntas (7) o por el aro de estanqueidad, debido a que están gastadas o averiadas. Retire los 3 tornillos (9) para sacar la voluta (2). Si el impulsor (8) no gira libremente, despeje el impulsor y las paredes de la cavidad antes de volver a ensamblar la base. Repita el Paso 2.
4. *Chequee el cordón eléctrico.* Si las pruebas indicadas arriba no han resuelto el problema, es posible que éste se encuentre en los componentes eléctricos de la bomba. Comenzando por el cordón eléctrico (19), verifique si hay cortes o muescas en el aislamiento. Si el cordón está averiado - ¡Cámbielo!

5. *Retire la cubierta del motor.* Use un destornillador para desprender la cubierta del motor (10) de la placa selladora (1) en los rebordes de sujeción, teniendo cuidado de no cortar el aro de estanqueidad con el destornillador ni rajarse la cubierta del motor. Levante la cubierta del motor hasta que pase por el estator (3).

6. *Verifique que no haya cortocircuito.* Desconecte los conductores del estator del conector. Use un ohmímetro para chequear la continuidad del estator. Si el estator no pasa la prueba de continuidad, se deberá cambiar.

Verificación de la conexión a tierra. Coloque el indicador de la escala del ohmímetro a escala de R X 100K y chequee el contador, colocando ambos conductores del contador juntos y ajustando la perilla de la aguja hasta que el contador indique cero. Si no se puede ajustar el contador a cero, eso indicará que es necesario cambiar las pilas en el contador. *Siempre haga esta prueba con el contador cuando el indicador de la escala se configure a una nueva escala, antes de realizar ningún otro chequeo en el motor.*

Ahora conecte un conductor del contador a un borne del estator y toque otro conductor del contador al armazón del estator del motor (3). Si la aguja indica menos de 5 (500,000 ohmios) será necesario secar el estator antes de volver a usarlo. Para secarlo, se deberá colocar en un horno a 220° por 4 horas. Vuelva a chequearlo después de que se enfríe el motor. Si el motor es nuevo o está bien seco, la aguja del ohmímetro no se moverá en la prueba de conexión a tierra. Esto indica una lectura de 50 megaohmios o mayor. Un megaohmio es un millón de ohmios.

Cuando se realiza la prueba de conexión a tierra, si la aguja va claramente al cero, el motor probablemente tiene un cable que está tocando el estator en algún punto y será necesario cambiar el estator.

7. *Retire el estator.* Para retirar el estator, saque los cuatro tornillos (4) de cabeza hexagonal y desconecte los conductores del capacitor. Levante y saque el estator de la placa selladora (1) y póngalo a un costado.
8. *Retire el impulsor.* Para retirar el impulsor (8), sostenga el eje del rotor (5) con un destornillador en el centro del impulsor y golpetee el impulsor con un mazo de plástico o de caucho para hacer girar el impulsor en el sentido anti-horario.
9. *Examine la junta.* Retire la porción giratoria de la junta (7) del eje, introduciendo un destornillador por debajo del borde de la junta y levantándola. Verifique que la cara de la junta no tenga muescas y que no quede asentada en forma desigual. Si está presente alguna de estas condiciones, cambie la junta.
(Consulte el Paso 14)

Amperios a carga máx.:

115 Voltio 9 Amperios
230 Voltios..... 4.6 Amperios

10. *Retire el rotor.* Golpetee el eje del rotor (5) en el extremo del impulsor del eje con un mazo de plástico para sacar el rotor y el eje. Inspeccione los cojinetes. Si no giran libremente y sin atascarse, se deberán cambiar.

11. *Retire la junta.* Retire la porción estacionaria vieja de la junta (7) de la placa selladora, introduciendo un destornillador en el armazón de la junta de la placa selladora desde la parte superior de la caja, golpeando suavemente con un martillo. Limpie el área de la junta de la placa selladora (1) con un paño limpio.
12. *Vuelva a instalar la unidad del rotor y eje.* Presione sobre la cara exterior para asentar el cojinete en la placa selladora.
13. *Vuelva a instalar la junta.* Aplique un buen lubricante en la nueva porción estacionaria de la junta (7) y presione para colocarla en la placa selladora. Cubra la nueva porción giratoria de la junta con lubricante y presione para colocarla en el eje del rotor con el aro de caucho mirando hacia el impulsor.
14. *Vuelva a instalar el impulsor.* Agregue una gota de Loctite 222 al eje y atornille el impulsor apretándolo a mano. El impulsor forzará la porción giratoria de la junta en posición.
15. *Reemplace el aro de estanqueidad.* Retire el aro de estanqueidad cuadrado viejo de la placa selladora y estire uno nuevo sobre la placa, cubierto de lubricante para aro tórico. No enrolle el aro en la placa selladora ya que puede quedar mal asentado y puede provocar fugas de agua hacia adentro del cárter del motor.
16. *Vuelva a instalar el estator.* Coloque el estator (3) en la placa selladora (1) de manera que los orificios de los pernos del estator queden alineados. Coloque la placa del estator en el estator (3) alineada con los orificios de los pernos del estator. Deslice el borne anular del cable conductor a tierra por encima de uno de los

pernos del estator. Coloque los pernos del estator y apriételos en forma uniforme para no engatillar el estator. Conecte el capacitor a los conductores del capacitor. Empuje los conectores de los dos conductores negros del estator en los bornes de clavija del cordón eléctrico. Empuje el borne de camisa del cable a tierra por encima del borne de clavija a tierra. (Identificado con la "protuberancia" en la caja de bornes moldeada)

17. *Vuelva a armar la bomba.* Vuelva a colocar la cubierta del motor (10) en la placa selladora (1). Coloque la unidad en la voluta (2). Inserte los tres tornillos de cabeza (9) por los costados del cárter del motor, en los orificios horadados en la voluta. Apriételos en forma uniforme para no engatillar el cárter del motor y no provocar un sello desigual en el aro de estanqueidad.
18. *Aceite.* Llene la tapa del motor con aceite de transformador de primera calidad hasta que apenas cubra la tapa terminal del estator. No llene completamente el cárter del motor – deje un espacio de aire para la expansión del aceite. Verifique que el estator esté completamente sumergido. Deberá mirar por el orificio del tapón de aceite para cerciorarse de que el nivel de aceite sea correcto.
19. *Vuelva a instalar el tapón del tubo de aceite.* Cubra las roscas del tubo con un sellador de roscas antes de instalarlo. Conéctelo al armazón (14).
20. *Inspeccione la bomba.* Enchufe el cordón eléctrico en el tomacorriente puesto a tierra y encienda la bomba elevando la barra del interruptor que sale de la caja del interruptor. El motor deberá marchar sin problemas

ni vibración y se detendrá cuando se quite la presión del interruptor del diafragma.

21. *Verifique que no hayan bolsas de aire.* Las bombas Myers tienen un pequeño orificio de ventilación de aire en la cavidad del impulsor para dejar salir el aire atrapado. Si este orificio se tapa, se pueden crear bolsas de aire en la bomba. Para eliminar las bolsas de aire, use un pequeño destornillador para despejar el orificio en la cavidad del impulsor.

Reemplazo del interruptor

Como precaución secundaria en instalaciones de este tipo – se debería taladrar un orificio de 1/16" (1.59 mm) en la tubería de descarga por debajo de la válvula de retención. La válvula de retención debería estar entre 12 y 18 pulgadas (30.48 cm – 45.72 cm) por encima de la descarga de la bomba. No coloque la válvula de retención directamente en la abertura de descarga de la bomba.

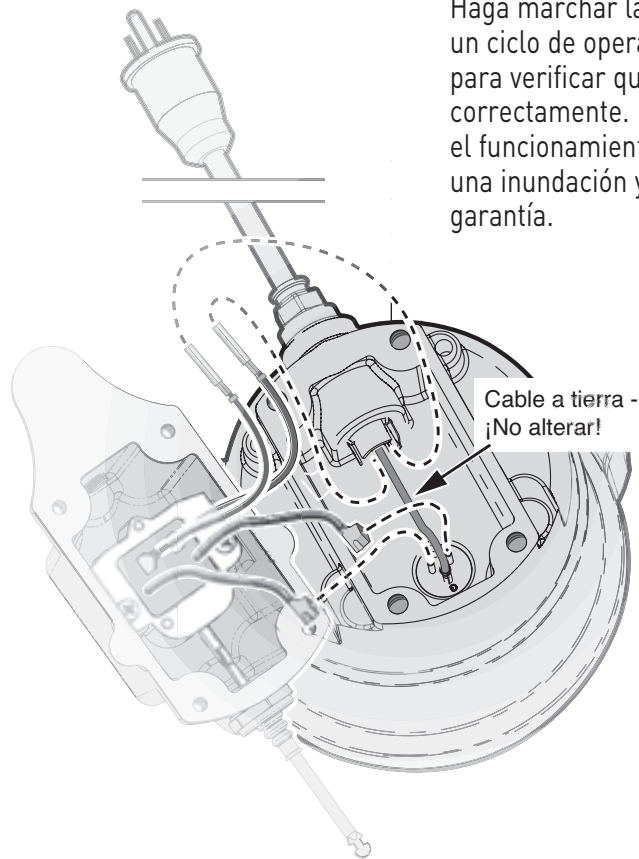
NOTA: En sumideros en donde la bomba funciona diariamente, generalmente no se crean bolsas de aire.

1. Desconecte la alimentación eléctrica a la bomba.
2. Saque la bomba del foso. Desinfectela por una hora con lejía de cloro. Use guantes de caucho cuando manipule la bomba.
3. Saque la correa de fijación inferior de la barra del flotador, levante el flotador y muévalo hacia un costado, y sáquelo del brazo del interruptor.

4. Saque los cuatro tornillos que fijan el interruptor a la parte superior del cárter del motor y levante y saque el interruptor del motor. Es posible que el resguardo del interruptor salga al mismo tiempo.
5. Desconecte los cuatro cables que conectan el interruptor al cárter del motor.
6. Retire y descarte la empaquetadura entre el interruptor y la bomba. Limpie la superficie de la empaquetadura en el cárter del motor.
7. Saque el interruptor viejo y reemplácelo.
8. Verifique que la horquilla en la vara encaje sobre la palanca del interruptor.
9. Coloque la nueva empaquetadura en el cárter del motor, luego conecte los cuatro cables en el nuevo interruptor a los cuatro bornes en el cárter del motor (consulte la Figura).

IMPORTANTE: Cuando conecte los dos hilos eléctricos a los bornes del cordón, cerciórese de que los extremos de los hilos no queden atrapados entre la clavija del cordón y un lado de la ficha del cordón. El conector debe estar sobre la clavija.

10. Con el resguardo del interruptor en posición, coloque el interruptor en el cárter del motor con el brazo del interruptor apuntando hacia el lado de la descarga de la bomba e instale y apriete los cuatro tornillos que fijan el interruptor a la bomba.



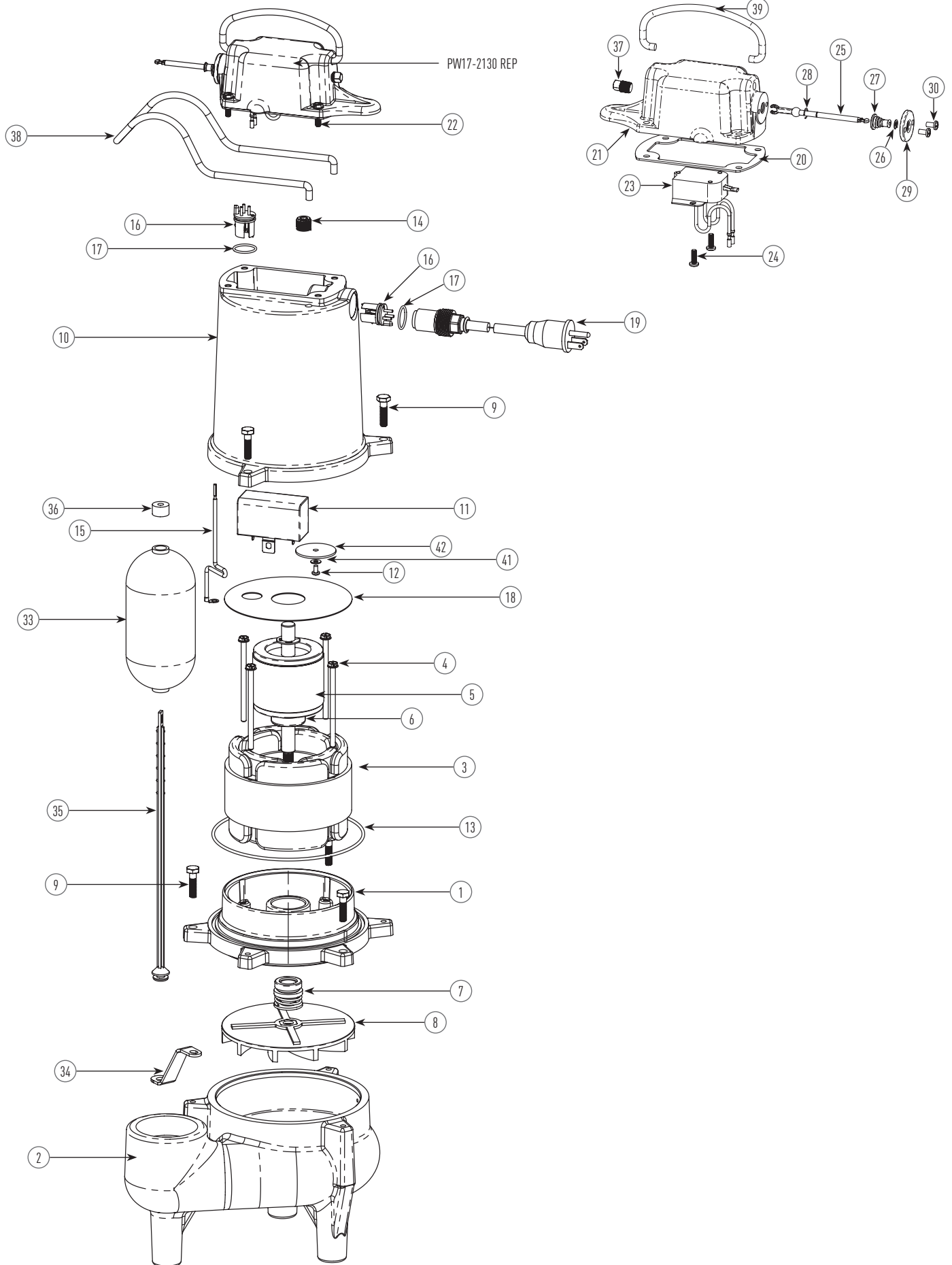
11. Sujetando el flotador hacia afuera y hacia un costado, enganche la barra del flotador en el brazo del interruptor y empuje la barra del flotador hacia abajo.
12. Inserte la barra del flotador en el orificio en la correa de fijación.
13. Vuelva a instalar la bomba en el foso, inspeccione todas las conexiones de la tubería y vuelva a conectar la corriente eléctrica. Haga marchar la bomba por un ciclo de operación completo para verificar que funcione correctamente. Si no se chequea el funcionamiento, puede ocurrir una inundación y se invalidará la garantía.

7222 0717

MSE50 – Lista de piezas

Ref. No.	Descripción	Cantidad	MSE5012P10	MSE5012P20	MSE5022P10	MSE5022P20
			Pieza número	Pieza número	Pieza número	Pieza número
1	PLACA SELLADORA	1.000			PW3-1421	
2	VOLUTA, CLOACA .2" DESCARGA 2"	1.000			21612D000	
3	ESTATOR 4/10 HP, 115 V MONOFÁSICO	1.000	26165B010			
	ESTATOR 4/10 HP 230 V MONOFÁSICO	1.000				26165B011
4	TORNILLO-MEC. (CABEZA HEX.) 8-32 X 3-3/16	4.000			001450101	
5	UNIDAD ROTOR 1/2 HP	1.000			27479A001	
6	COJINETE DE BOLAS	1.000			650241	
7	SELLO DEL MOTOR 1/2	1.000			21607A015	
8	IMPULSOR	1.000			21542B000	
9	TORNILLO PRISIONERO HEX	6.000			19099A012	
10	CUBIERTA DEL MOTOR	1.000			PW18-1691	
11	CAPACITOR DE MARCHA 15MFD	1.000	U17-1540			
	CAPACITOR DE MARCHA 4MFD	1.000				U17-2150
12	TORNILLO	1.000			U30-985SS	
13	ARO TÓRICO	1.000			U9-339	
14	TAPÓN	1.000			U78-94SST	
15	CABLE VERDE CON BORNES	1.000			PS17-2149	
16	CONECTOR DEL CORDÓN	2.000			PS17-1508	
17	ARO TÓRICO	2.000			U9-356	
18	DISCO AISLADOR	1.000			PS18-82	
19	CORDÓN ELÉCTRICO 10FT (3.05 M) 115V	1.000	PW117-237-TSE			
	CORDÓN ELÉCTRICO 20FT (6.10 M) 115V	1.000		PW117-122-TSE		
	CORDÓN ELÉCTRICO 10FT (3.05 M) 230V	1.000			PW117-2126-TSE	
	CORDÓN ELÉCTRICO 20FT (6.10 M) 230V	1.000				PW117-218-TSE
20*	EMPAQUETADURA, CUBIERTA DEL INTERRUPTOR	1.000			PS20-126	
21*	CUBIERTA DEL INTERRUPTOR	1.000			PW70-85	
22*	TORNILLO MECÁNICO	4.000			U30-482SS	
23*	INTERRUPTOR DE FLOTADOR	1.000			PS17-1511	
24*	TORNILLO 8-32 X 5/8 CABEZA HEX	2.000			U30-951PSW	
25*	BRAZO PIVOTANTE DEL FLOTADOR	1.000			PS41-5	
26*	ARO-E, EXTERNO	1.000			U9-472SS	
27*	JUNTA DEL EJE VITON TIPO FUELLE	1.000			U9-483	
28*	C-CLIP ANULAR DE RETENCIÓN	1.000			U9-461	
29*	RETÉN TIPO FUELLE	1.000			PW19-142	
30*	TORNILLO	2.000			U30-957SS	
31*	CABLE, A TIERRA (NO SE ILUSTRÁ)	1.000			PS17-1509	
32*	CABLE, ENTRADA DEL CORDÓN AL INTERRUPTOR (NO SE ILUSTRÁ)	2.000			PS17-1510	
33	CUERPO DEL FLOTADOR	1.000			PS28-36P	
34	AISLADOR DE CAUCHO	1.000			PW19-141	
35	VARA DEL FLOTADOR	1.000			PW28-39	
36	TOPE DE LA VARA DEL FLOTADOR	1.000			U9-463	
37*	TAPÓN DE TUBO	1.000			M15743	
38	PUNTAL PROTECTOR DEL FLOTADOR	1.000			U97-194SS	
39*	MANGO	1.000			U97-193SS	
40	ACEITE (NO SE ILUSTRÁ)	0.227			P000VEL6	
41	ARANDELA	1.000			U43-144SS	
42	ARANDELA DE NYLON	1.000			U43-184	
*	JUEGO DE INTERRUPTOR	1.000			PW17-2130REP	

MODELO – MSE50



Limited Warranty

Myers® warrants to the original consumer purchaser ("Purchaser" or "You") of the products listed below, that they will be free from defects in material and workmanship for the Warranty Period shown below.

Product	Warranty Period whichever occurs first:
Jet pumps, small centrifugal pumps, submersible pumps and related accessories	12 months from date of original installation, or 18 months from date of manufacture
Fibrewound Tanks	5 years from date of original installation
Steel Pressure Tanks	5 years from date of original installation
Sump/Sewage/Effluent Products	12 months from date of original installation, or 36 months from date of manufacture
Battery Backup Units MBSP-2, MBSP-2C MBSP-3, MBSP-3C	12 months from date of original installation, or 18 months from date of manufacture 24 months from date of original installation, or 30 months from date of manufacture
Wastewater Solids Handling Pumps	12 months from date of shipment from factory or 18 months from date of manufacture

Our warranty applies only where such products are used in compliance with the requirements of the applicable product catalog and/or manuals. For additional information, please refer to the applicable standard limited warranty featured in the product manual.

Our warranty will not apply to any product that, in our sole judgement, has been subject to negligence, misapplication, improper installation, or improper maintenance. Without limiting the foregoing, operating a three phase motor with single phase power through a phase converter will void the warranty. Note also that three phase motors must be protected by three-leg, ambient compensated, extra-quick trip overload relays of the recommended size or the warranty is void.

Your only remedy, and MYERS's only duty, is that MYERS repair or replace defective products (at MYERS's choice). You must pay all labor and shipping charges associated with this warranty and must request warranty service through the installing dealer as soon as a problem is discovered. No request for service will be accepted if received after the Warranty Period has expired. This warranty is not transferable.

MYERS SHALL NOT BE LIABLE FOR ANY CONSEQUENTIAL, INCIDENTAL, OR CONTINGENT DAMAGES WHATSOEVER.

THE FOREGOING LIMITED WARRANTIES ARE EXCLUSIVE AND IN LIEU OF ALL OTHER EXPRESS AND IMPLIED WARRANTIES, INCLUDING BUT NOT LIMITED TO IMPLIED WARRANTIES OF MERCHANTABILITY AND FITNESS FOR A PARTICULAR PURPOSE. THE FOREGOING LIMITED WARRANTIES SHALL NOT EXTEND BEYOND THE DURATION PROVIDED HEREIN.

Some states do not allow the exclusion or limitation of incidental or consequential damages or limitations on the duration of an implied warranty, so the above limitations or exclusions may not apply to You. This warranty gives You specific legal rights and You may also have other rights which vary from state to state.

This Limited Warranty is effective April 1, 2014 and replaces all undated warranties and warranties dated before April 1, 2014.

F.E. MYERS

293 Wright Street, Delavan, WI 53115

Phone: 888-987-8677 • Fax: 800-426-9446 • www.femyers.com

In Canada: 490 Pinebush Road, Unit 4, Cambridge, Ontario N1T 0A5

Phone: 800-363-7867 • Fax: 888-606-5484