

SEWAGE PUMPS

MSE50 SERIES

The Myers MSE50 Residential Sewage Pumps are designed for high performance applications. With a recessed vortex impeller, this pump will easily pass 2" solids and pump up to 145 GPM. With a durable cast iron construction and reliable two-pole switch design, this pump is perfect for any residential sewage application.



Tested & Certified to UL778 and CSA 108.
3 Year Warranty

FEATURES

- ◆ **Durable Construction:** Durable cast iron construction for heavy duty applications.
- ◆ **Reliable Switch Design:** The unique two-pole switch is protected with a guard to block debris.
- ◆ **Free Flow Design:** Recessed impeller design also improves the free flow of solids up to 2".
- ◆ **High Performance:** Capable of pumping up to 145 GPM and up to 22 feet of head.

SPECIFICATIONS

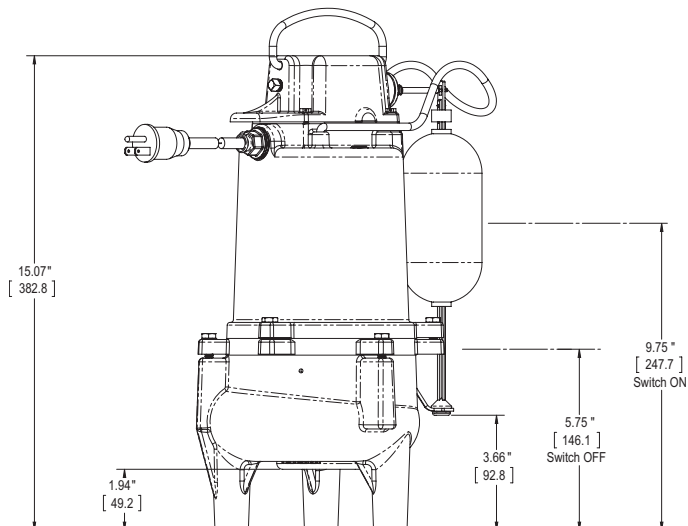
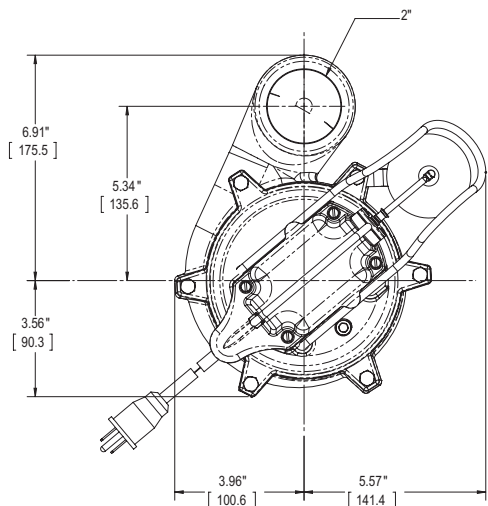
- ◆ **Max Flow:** 145 GPM (549 LPM) at 5'
- ◆ **Max Shut-Off Head:** 22' (6.7 m)
- ◆ **Solids Handling:** 2" (50.8 mm)
- ◆ **Intermittent Liquid Temp.:** 130°F (54.4°C)
- ◆ **Discharge NPT:** 2" (50.8 mm)
- ◆ **Motor/Electrical Data:** 115V 9A 1Ø/230V 4.6A 1Ø
- ◆ **Acceptable pH Range:** 6-9
- ◆ **Cord Length:** 10' (3.1 m) or 20' (6.1 m)
- ◆ **Switch Type:** Vertical
- ◆ **Switch On/Off =** 9.75 (247 mm) / 5.75 (146 mm)
- ◆ **Housing:** Cast iron
- ◆ **Volute:** Cast iron
- ◆ **Impeller:** Thermoplastic recessed vortex
- ◆ **Shaft Seal:** Mechanical

ORDERING INFORMATION

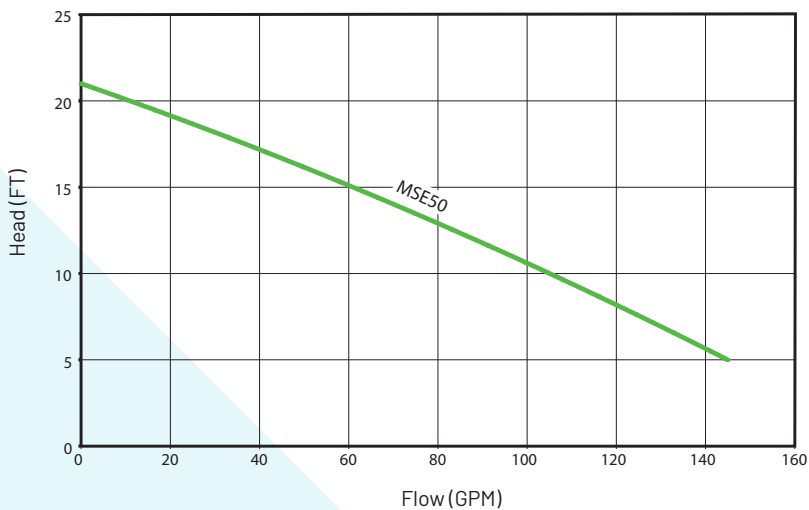
CATALOG NUMBER	HP	VOLTS	PHASE	AMPS	DISCHARGE NPT	SWITCH TYPE	CORD LENGTH	APPROX WT. LBS
MSE5012P10	1/2	115	1	9.0	2"	2-Pole Auto	10' (3.1 m)	43 (19.5 kg)
MSE5022P10	1/2	230	1	4.6	2"	2-Pole Auto	10' (3.1 m)	44 (20.0 kg)
MSE5012P20	1/2	115	1	9.0	2"	2-Pole Auto	20' (6.1 m)	43 (19.5 kg)

SEWAGE PUMPS MSE50 SERIES

DIMENSIONS



PUMP PERFORMANCE



PERFORMANCE DATA

HEAD	FLOW GPM
5'	145
10'	105
15'	75
20'	16
22'	0



293 Wright St
 Delavan, WI 53115
 Ph: 888.987.8677
 Fx: 800.426.9446

490 Pinebush Rd, Unit 4
 Cambridge, Ontario N1T 0A5, Canada
 Ph: 800.363.7867
 Fx: 888.606.5484

pentair.com

All indicated Pentair trademarks and logos are property of Pentair. Third party registered and unregistered trademarks and logos are the property of their respective owners. Because we are continuously improving our products and services, Pentair reserves the right to change specifications without prior notice. Pentair is an equal opportunity employer.

©2023 Pentair. All Rights Reserved.

M11957SEE (08-01-23)