

# MYERS® MS1822

The Myers Pre-Plumbed Sump Basin Package is a rugged, high-quality system ideal for basement sumps and dewatering. The basin features an approved radon-proof design. The unit comes field-ready with a 1-1/2" NPT threaded discharge flange and a 2" NPT vent flange (adaptable to 3") and includes a 1-1/2" sump check valve.



## APPLICATIONS

Basement sumps, dewatering, new or existing installations

## SPECIFICATIONS

**Capacities** – 60 GPM (227 LPM)  
**Shut-off Head** – 24' (7.31 m)  
**Operation** – On: 7.5" (190 mm)  
                   Off: 3.0" (76 mm)  
**Solids Handling** – 3/16" (4.77 mm)  
**Liquids Handling** – Drain water  
**Continuous Liquid Temperature** – 140°F (60°C)  
**Motor/Electrical Data** – 1/3 HP, 115V, 4.0A, 1Ø, 60Hz  
**Housing** – Zinc motor housing dissipates heat quickly and extends more life  
**Power Cord** – 8', SJTW, SJTW-A  
**Discharge, NPT** – 1-1/2" (38 mm)  
**Basin Size** – 18" x 22" structural foam; Radon Proof, 20-gallon

## FEATURES

### Fully Assembled

The fully assembled system includes: pump, basin, sealed cover, internal basin discharge pipe and check valve

### Stackable Design

Allows for compact inventory and shipping

### Heavy-duty MS33PV1 Pump

- Maintenance-free operation
- Vertical mechanical switch for small 10" diameter sumps
- Dual ball-bearing motor and additional lip seal provide durability and longer pump life
- Durable, oil-filled PSC motor for maximum heat dissipation, continuous bearing lubrication, years of service
- Thermal overload protection with automatic reset

### BASIN

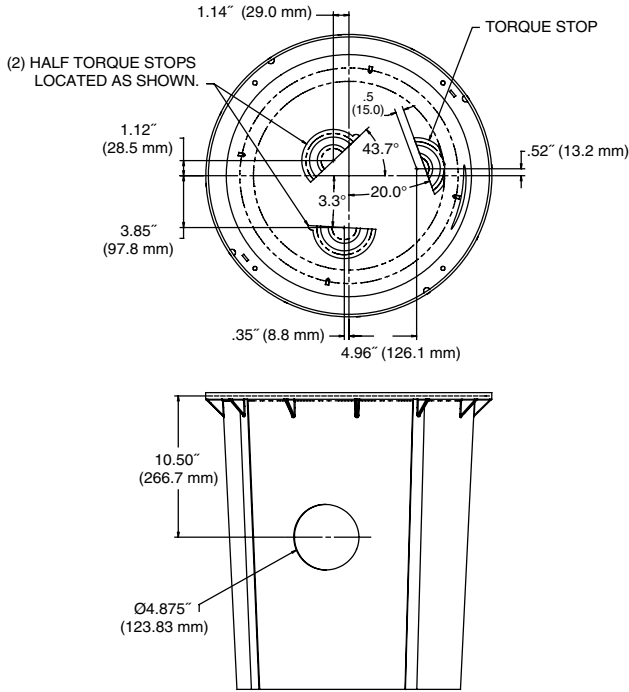
- 18" x 22" corrosion-resistant structural foam construction
- 20-gallon capacity
- Hub adapter: 4" snap-in type with stainless steel clamp – fits 4" DWV SCH. 40 plastic pipe
- Flanges: 1-1/2" NPT threaded discharge and 2" NPT vent flange (converts to 3"); includes gas-tight cord grommet
- Check valve fits 1-1/2" black, galvanized, and DWV SCH. 40 pipe

### BASIN COVER

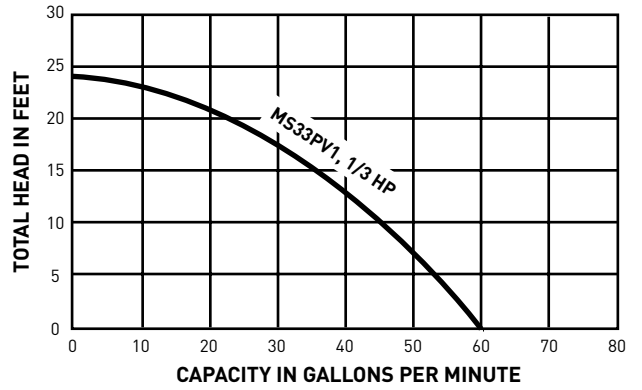
Gas-tight, single-piece design with seal; structural foam construction

# MYERS® MS1822

## DIMENSIONS



## PUMP PERFORMANCE



USA  
 293 WRIGHT STREET, DELAVAN, WI 53115 WWW.FEMYERS.COM  
 PH: 888-987-8677 ORDERS FAX: 800-426-9446

CANADA  
 490 PINEBUSH ROAD, UNIT 4, CAMBRIDGE, ONTARIO N1T 0A5  
 PH: 800-363-7867 ORDERS FAX: 888-606-5484

Because we are continuously improving our products and services, Pentair reserves the right to change specifications without prior notice.