

MR16



DESCRIPTION

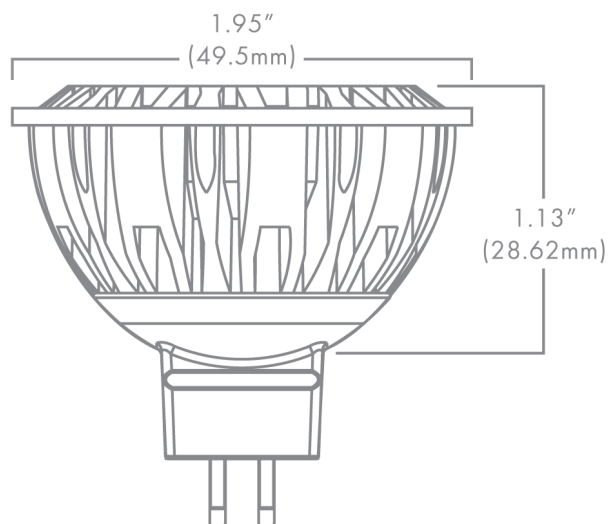
The Brilliance MR16 Bi-Pin is designed to fit in standard low voltage MR16 fixtures and offers a long lamp life. These LEDs are thermally engineered to operate in enclosed fixtures and provide added security by automatically cooling down and reducing lumen output when exposed to extreme heat, such as air temperatures above 125 °F. There is no color shift when lumen output is reduced. Dimmable with Brilliance Dimmer and most magnetic transformers. Suitable for damp locations and for use in totally enclosed luminaires. Not for underwater use.

MR16 FEATURES

- Earth tone colored housing
- Enhanced ESD (Electro-Static Discharge) protection (IEC-61000-4-2)
- Heat overload protection technology
- Fully potted PC board
- UL Certified E360351

MR16 SPECS

Wattage	2W	4W	5W	7W	
Volt Amps	3.34	6.35	8.33	11.11	
Lumens	2700K	165	325	380	690
	3000K	170	350	400	715
	5700K	-	400	450	750
Beam Spread†	15°, 30°, 60°, 108°, 120°				
Kelvin Temperature	2700, 3000, 5700				
Color	Amber (4W and 5W in 30°) Red (5W in 30°) Blue (4W and 5W in 30°) Green (5W in 30°) Silver Green (5W in 30° and 60°)				
Operating Range	8-25 VAC/DC				
Replaces	10W, 20W, 35W, 50W Halogen				
CRI	85				
IP	61				
Lamp Life (hours)	50,000				
Warranty (years)	5				



Part Number: **MR16-X-XXXX-XXX**



† Select Beam Spreads Available in Stock. Call 800-867-2108 for availability.