

SELF CLOSING SLIDING DOOR SYSTEM (Door Weight 66~176 lbs)

LM-80

SLIDING & FOLDING
DOOR HARDWARE

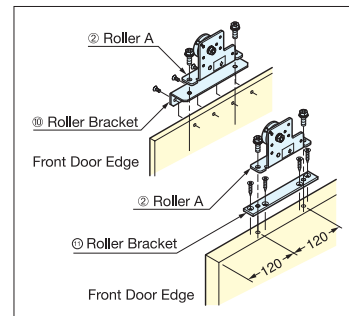
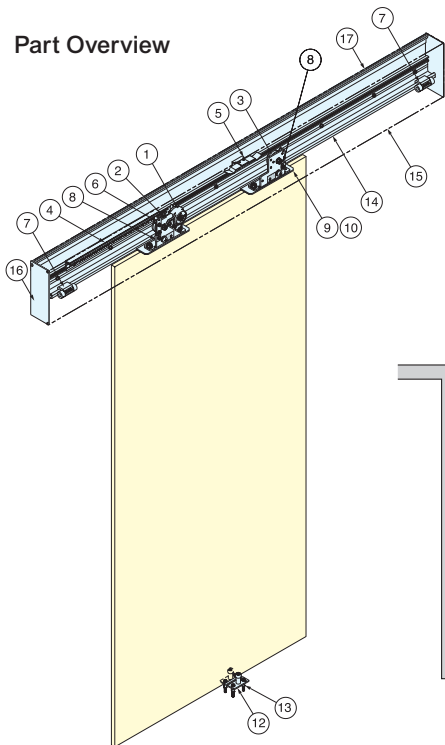
SELF CLOSING SLIDING DOOR SYSTEM (DOOR WEIGHT 66~176 LBS)



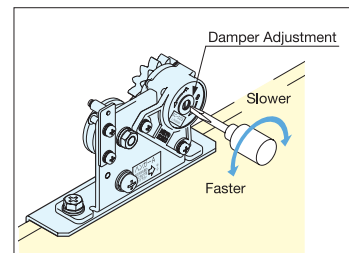
Item No.	LM-80
Door Width	700~1200 mm (27-9/16"~47-1/4")
Door Thickness	13 or 28~40 mm (1/2" or 1-1/8"~1-9/16")
Door Weight	30~80 kg/Door (66~176 lbs/door)
Door Travel	Max. 1100 mm (in case of door width 1200 mm) Max. 43-5/16" (in case of door width 47-1/4")

- Self closing sliding door system.
- Equipped with damper for smooth and soft closing, eliminating slam shut.
- Dampening speed adjustable for best soft closing.
- Wall surface mount type for easy installation.
- No bottom rail needed for clean appearance.
- Door opens lightly for easy operation.
- Door catch included to hold door in fully open position.
- Designed for 13 mm solid phenolic panel or 28~40 mm thick wood doors.
- Non-handed.
- Glass door system available (See P.571~572).

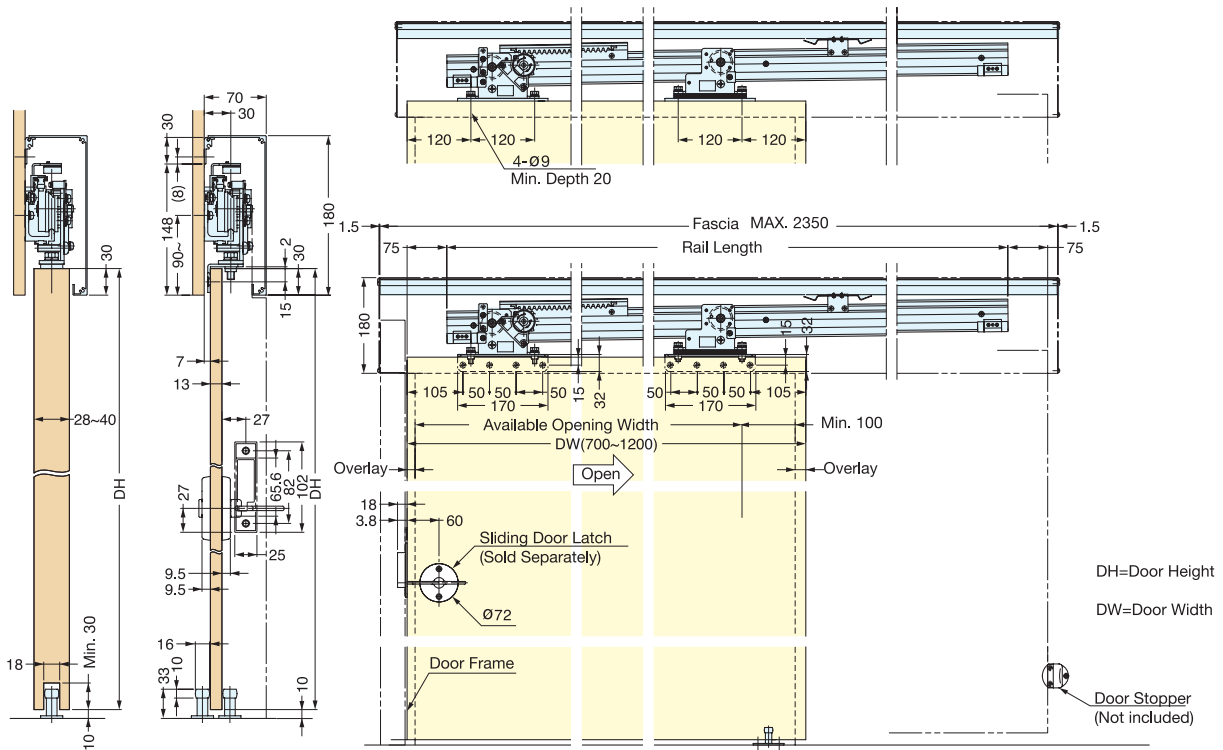
Part Overview



Roller Brackets for solid phenolic panel and wood door included.



Closing speed adjustable by turning adjustment screw on damper.



Part Details

No.	①	②	③	④	⑤	⑥	⑦
Name	Damper	Roller A	Roller B	Gear Rack	Spring	Stopper Roller	Door Stopper
Qty. / Set	1 pc	1 pc	1 pc	1 pc	1 pc	1 pc	2 pcs

No.	⑧	⑨	⑩	⑪	⑫	⑬	⑭
Name	Stopper Plate	Height Adjustment Spacer	Roller Bracket (For Solid Phenolic)	Roller Bracket (For Wood)	Bottom Roller Guide	Anchor	Roller Rail (2200 mm)
Qty. / Set	2 pcs	t1:15 pcs, t0.5:1 pc	2 pcs	2 pcs	2 pcs	4 pcs	1 pc

No.	⑮	⑯	⑰
Name	Fascia (2350 mm)	Side Cover	Mounting Plate (For Fascia) (2350 mm)
Qty. / Set	1 pc	1 pc ea. (Left & Right)	1 pc

No.	Option
Name	Latch w/indicator
Item No.	ET-125T
Qty. / Set	1 pc