

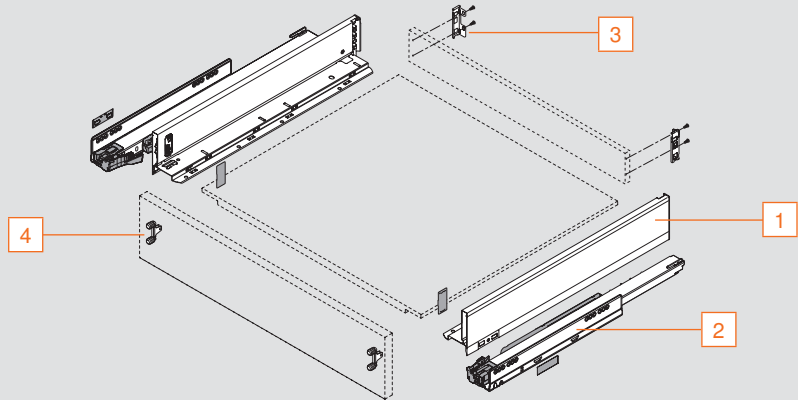
# LEGRABOX



## Stainless Steel LEGRABOX V1 Drawer Sets

### Drawer set includes:

- 1) 1 pair of drawer profiles  
\* Color coordinated cover caps included in a drawer profile box inside the kit
- 2) 1 pair of cabinet profiles
- 3) 1 pair of rear fixing brackets
- 4) 1 set of front fixing brackets



### 125 lb LEGRABOX Stainless Steel Drawer Sets

| Ident. Number   | Reference Number | Description                 |
|-----------------|------------------|-----------------------------|
| <b>N Height</b> |                  |                             |
| 07754321        | 770N45S0I        | 450 mm (18" Nominal length) |
| 06983298        | 770N50S0I        | 500 mm (20" Nominal length) |
| 06311982        | 770N55S0I        | 550 mm (22" Nominal length) |
| <b>M Height</b> |                  |                             |
| 09021830        | 770M27S0I        | 270 mm (11" Nominal length) |
| 03600099        | 770M35S0I        | 350 mm (14" Nominal length) |
| 03377924        | 770M40S0I        | 400 mm (16" Nominal length) |
| 06333701        | 770M45S0I        | 450 mm (18" Nominal length) |
| 09358745        | 770M50S0I        | 500 mm (20" Nominal length) |
| 08829540        | 770M55S0I        | 550 mm (22" Nominal length) |
| <b>K Height</b> |                  |                             |
| 09084057        | 770K35S0I        | 350 mm (14" Nominal length) |
| 04146552        | 770K40S0I        | 400 mm (16" Nominal length) |
| 06093531        | 770K45S0I        | 450 mm (18" Nominal length) |
| 03497393        | 770K50S0I        | 500 mm (20" Nominal length) |
| 09514493        | 770K55S0I        | 550 mm (22" Nominal length) |
| <b>C Height</b> |                  |                             |
| 04611181        | 770C27S0I        | 270 mm (11" Nominal length) |
| 03580109        | 770C35S0I        | 350 mm (14" Nominal length) |
| 02142490        | 770C40S0I        | 400 mm (16" Nominal length) |
| 04676760        | 770C45S0I        | 450 mm (18" Nominal length) |
| 02690787        | 770C50S0I        | 500 mm (20" Nominal length) |
| 06658840        | 770C55S0I        | 550 mm (22" Nominal length) |



### 125 lb LEGRABOX Stainless Steel Drawer Sets

| Ident. Number   | Reference Number | Description                 |
|-----------------|------------------|-----------------------------|
| <b>F Height</b> |                  |                             |
| 04603500        | 770F40S01        | 400 mm (16" Nominal length) |
| 04013692        | 770F45S01        | 450 mm (18" Nominal length) |
| 04050908        | 770F50S01        | 500 mm (20" Nominal length) |
| 08180427        | 770F55S01        | 550 mm (22" Nominal length) |

### 170 lb LEGRABOX Stainless Steel Drawer Sets

| Ident. Number   | Reference Number | Description                 |
|-----------------|------------------|-----------------------------|
| <b>M Height</b> |                  |                             |
| 03266631        | 773M45S01        | 450 mm (18" Nominal length) |
| 05205442        | 773M50S01        | 500 mm (20" Nominal length) |
| 05027869        | 773M55S01        | 550 mm (22" Nominal length) |
| 08343469        | 773M60S01        | 600 mm (24" Nominal length) |
| 09625445        | 773M65S01        | 650 mm (26" Nominal length) |

### K Height

|          |           |                             |
|----------|-----------|-----------------------------|
| 03095617 | 773K45S01 | 450 mm (18" Nominal length) |
| 09800387 | 773K50S01 | 500 mm (20" Nominal length) |
| 05101192 | 773K55S01 | 550 mm (22" Nominal length) |

### C Height

|          |           |                             |
|----------|-----------|-----------------------------|
| 06278546 | 773C45S01 | 450 mm (18" Nominal length) |
| 07923750 | 773C50S01 | 500 mm (20" Nominal length) |
| 06362742 | 773C55S01 | 550 mm (22" Nominal length) |
| 02858977 | 773C60S01 | 600 mm (24" Nominal length) |
| 01994272 | 773C65S01 | 650 mm (26" Nominal length) |

### F Height

|          |           |                             |
|----------|-----------|-----------------------------|
| 04781470 | 773F45S01 | 450 mm (18" Nominal length) |
| 04336277 | 773F50S01 | 500 mm (20" Nominal length) |
| 03235774 | 773F55S01 | 550 mm (22" Nominal length) |
| 02452863 | 773F65S01 | 650 mm (26" Nominal length) |