

## INSTALLATION INSTRUCTIONS

### 18" KIDNEY SHAPED LAZY SUSANS

#### STEP 1

Locate the mounting holes with the template (see reverse side) and affix the positioner base assembly to the cabinet floor with (4) #8" x 3/4" pan head screws.

**Note: Shaft adjustment screw must face cabinet opening.**

#### STEP 2

Locate the mounting holes with the template and affix the top pivot support to the underside of the cabinet top with (4) #8 x 1/2" pan head screws.

#### STEP 3

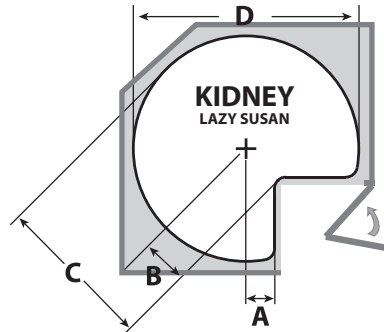
Working from bottom up, slide the upper shelf onto the shaft. Slide the upper positioner assembly onto the shaft and temporarily tighten the screw with the positioner approximately 15" from the bottom of the shaft. Slide the bottom shelf onto the shaft.

#### STEP 4

Insert the upper shaft assembly into the top end of the shaft. Loosely install the adjustment screw. Insert the shaft/tray assembly into the positioner base assembly. Extend the upper shaft assembly to engage the top pivot support.

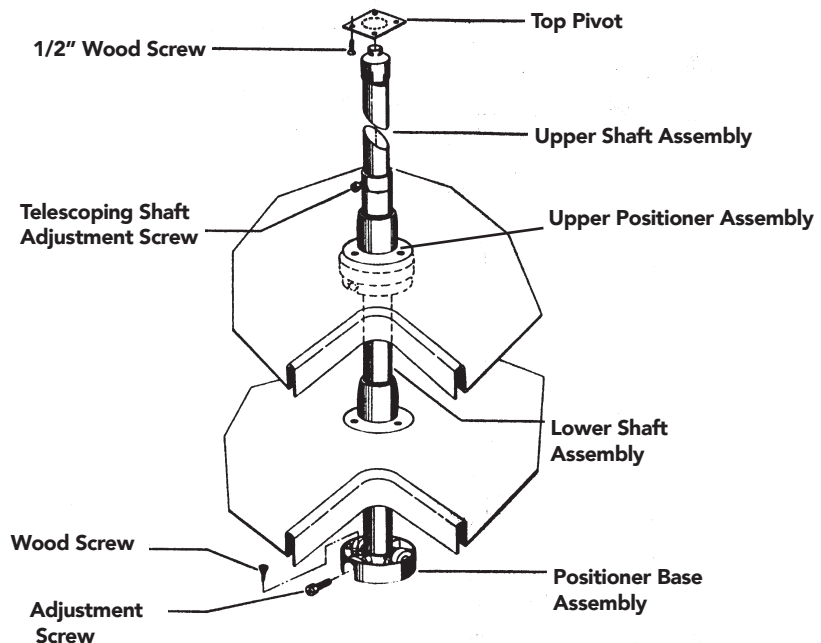
#### STEP 5

Adjust the upper shelf position by grasping and supporting the upper shelf positioner assembly while loosening the adjustment screw. Rotate the positioner and shelf into alignment and securely tighten the adjustment screw.



Polymer						
Shelf	Material	A	B	C	D	Shaft System
18" Kidney	Polymer	1-1/8"	2"	11"	18"	25 (mm) IND/DEP
Natural Wood						
18" Kidney	Maple	1-7/8"	2-9/16"	11-1/2"	18"	1" IND.

IND. = Independent Rotating System



**NOTES:**

- 1. Be sure to check for adequate clearance at back of shelf prior to drilling holes
- 2. Template position may be adjusted for a full overlay door.
- 3. Any inside re-enforcement must be accounted for. (minimum dimensions noted)

**Notes:**

- 1. Vérifier qu'il y a assez de place à l'arrière du plateau avant de forer les trous
- 2. Le modèle peut être ajusté pour une porte avec appliqué.
- 3. Tout renforcement à l'intérieur doit être représenté. (les dimensions minimums notées)

**NOTAS:**

- 1. Asegúrese de verificar que exista espacio adecuado en la parte posterior de la repisa antes de pre taladrar los orificios.
- 2. La posición de la posición de la plantilla podría ser ajustada para una puerta completa con recubrimiento.
- 3. Cualquier refuerzo interior debe estar considerado. (se especifican las dimensiones mínimas)

NOTE: Use 1/8" (3mm) diameter drill for pre-drilling

Note: Utiliser une mèche de 1/8" (3mm) de diamètre pour pré forer.

NOTA: Utilice un taladro de 1/8" (3mm) de diámetro para pre taladrar.

