



**Operating Instructions and Parts Manual  
Router Lift and Accessories  
Model JRL-912**



737000CK shown

**JET**  
427 New Sanford Road  
LaVergne, Tennessee 37086  
Ph.: 800-274-6848  
www.jettools.com

**Part No. M-737000**  
Edition 5 02/2022  
Copyright © 2022 JET





## 1.0 IMPORTANT SAFETY INSTRUCTIONS

### WARNING – To reduce risk of injury:

1. Read and understand the entire owner's manual before attempting assembly or operation.
2. Read and understand the warnings posted on the machine and in this manual. Failure to comply with all of these warnings may cause serious injury.
3. Replace warning labels if they become obscured or removed.
4. This router lift is designed and intended for use by properly trained and experienced personnel only. If you are not familiar with the proper and safe operation of a router, do not use until proper training and knowledge have been obtained.
5. Do not use this router lift for other than its intended use. If used for other purposes, JET disclaims any real or implied warranty and holds itself harmless from any injury that may result from that use.
6. Always wear ANSI Z87.1 approved safety glasses or face shield while using this machine. (Everyday eyeglasses only have impact resistant lenses; they are *not* safety glasses.)
7. Before operating, remove tie, rings, watches and other jewelry, and roll sleeves up past the elbows. Do not wear loose clothing. Confine long hair. Non-slip footwear or anti-skid floor strips are recommended. Do not wear gloves.
8. Kickback occurs when the workpiece is thrown back towards the operator at a high rate of speed. If you do not have a clear understanding of kickback and how it occurs, do not operate this router table.
9. Wear ear protectors (plugs or muffs) if noise exceeds safe levels.
10. Make certain the switch is in the OFF position before connecting the machine to the power supply.
11. Make certain the machine is properly grounded.
12. Make all machine adjustments or maintenance with the machine unplugged from the power source.
13. Remove adjusting keys and wrenches. Form a habit of checking to see that keys and adjusting wrenches are removed from the machine before turning it on.
14. Keep safety guards in place at all times when the machine is in use. If removed for maintenance purposes, use extreme caution and replace the guards immediately after completion of maintenance.
15. Check damaged parts. Before further use of the machine, a guard or other part that is damaged should be carefully checked to determine that it will operate properly and perform its intended function. Check for alignment of moving parts, binding of moving parts, breakage of parts, mounting and any other conditions that may affect its operation. A guard or other part that is damaged should be properly repaired or replaced.
16. Provide for adequate space surrounding work area and non-glare, overhead lighting.
17. Keep the floor around the machine clean and free of scrap material, oil and grease.
18. Keep visitors a safe distance from the work area. Keep children away.
19. Make your workshop child proof with padlocks, master switches or by removing starter keys.
20. Give your work undivided attention. Looking around, carrying on a conversation and "horse-play" are careless acts that can result in serious injury.
21. Maintain a balanced stance at all times so that you do not fall into the cutter or other moving parts. Do not overreach or use excessive force to perform any machine operation.
22. Use the right tool at the correct speed and feed rate. Do not force a tool or attachment to do a job for which it was not designed. The right tool will do the job better and more safely.
23. Use recommended accessories; improper accessories may be hazardous.
24. Maintain tools with care. Do not use dull or damaged cutters. Keep cutting tools clean and sharp for best and safest performance. Follow instructions for lubricating and changing accessories.
25. Turn off the machine before cleaning. Use a brush or compressed air to remove chips or debris — do not use bare hands.

26. Do not stand on the router table. Serious injury could occur if it tips over.
27. Never leave a router running unattended. Turn the power off and do not leave the tool until it comes to a complete stop.
28. Remove loose items and unnecessary work pieces from the area before starting the tool.
29. Keep hands clear of the router bit area. Avoid awkward operations and hand positions where a sudden slip could cause your hand to contact the cutting tool.
30. Use push-sticks, feather boards, or jigs when cutting small or narrow work pieces.
31. Do not touch a router bit immediately after use; it will be hot and may cause skin burns.
32. Don't use in dangerous environment. Don't use power tools in damp or wet location, or expose them to rain. Keep work area well lighted.
33. Keep electrical cord away from sharp edges, heat or moving parts. Position cord so it will not become a trip hazard.
34. Before using the Router Lift, read and become thoroughly familiar with all manufacturer's operating and safety instructions that accompanied the router you will be using.
35. Make sure workpiece is free from nails or other foreign objects.
36. After installing a bit, make sure collet is securely tightened. An unsecured bit may fly loose from the collet and cause injury.
37. Raise router bit to minimum height needed for cut; excess exposure of bit may create greater risk.
38. Use proper extension cord. Make sure your extension cord is in good condition. When using an extension cord, be sure to use one heavy enough to carry the current your product will draw. An undersized cord will cause a drop in line voltage resulting in loss of power and overheating. Table 2 (sect. 6.2) shows the correct size to use depending on cord length and nameplate ampere rating. If in doubt, use the next heavier gage. The smaller the gage number, the heavier the cord.

 **WARNING:** This product can expose you to chemicals including lead which is known to the State of California to cause cancer and birth defects or other reproductive harm. For more information go to <http://www.p65warnings.ca.gov>.

 **WARNING:** Drilling, sawing, sanding or machining wood products generates wood dust and other substances known to the State of California to cause cancer. Avoid inhaling dust generated from wood products or use a dust mask or other safeguards for personal protection.

Wood products emit chemicals known to the State of California to cause birth defects or other reproductive harm. For more information go to <http://www.p65warnings.ca.gov/wood>.

**Familiarize yourself with the following safety notices used in this manual:**

**CAUTION**

This means that if precautions are not heeded, it may result in minor injury and/or possible machine damage.

**WARNING**

This means that if precautions are not heeded, it may result in serious, or possibly even fatal, injury.

**SAVE THESE INSTRUCTIONS**

## **2.0 About this manual**

This manual is provided by JET, covering assembly and maintenance procedures for a JET Model JRL-912 Router Lift with Table and Stand. This manual contains instructions on installation, safety precautions, general operating procedures, maintenance instructions and parts breakdown. Your product has been designed and constructed to provide consistent, long-term operation if used in accordance with the instructions as set forth in this document.

This manual is not intended to be an instruction guide for routers or router operation, use of after-market accessories, choice of stock, etc. Consult the documentation that accompanies your router. Additional knowledge can be obtained from experienced users or trade articles. Whatever accepted methods are used, always make personal safety a priority.

If there are questions or comments, please contact your local supplier or JET. JET can also be reached at our web site: [www.jettools.com](http://www.jettools.com).

Retain this manual for future reference. If the machine transfers ownership, the manual should accompany it.

Register your product using the provided mail-in card or register online: <http://www.jettools.com>

### 3.0 Table of contents

Section	Page
1.0 IMPORTANT SAFETY INSTRUCTIONS .....	2
2.0 About this manual .....	4
3.0 Table of contents .....	5
4.0 Specifications for JET Router Lift and Components .....	6
5.0 Setup and Assembly.....	7
5.1 Unpacking and cleanup .....	7
5.2 Shipping contents .....	7
5.3 Tools Required for Assembly.....	8
5.4 Stand Assembly .....	10
5.5 Dust Collection Box .....	11
5.6 Mounting Table to Stand .....	11
5.7 Fence Assembly .....	12
5.8 Installing Router Lift.....	13
5.9 Installing Router (not provided) .....	13
6.0 Electrical Connections.....	14
6.1 GROUNDING INSTRUCTIONS .....	14
7.0 Adjustments .....	15
7.1 Stand Mobility.....	15
7.2 Miter Gauge.....	15
7.3 Router Elevation .....	15
8.0 Operations .....	15
9.0 User-Maintenance .....	16
9.1 Additional Servicing.....	16
10.0 Optional Accessories .....	17
11.0 Replacement Parts.....	17
11.1.1 Router Lift Assembly (737000) – Exploded View .....	18
11.1.2 Router Lift Assembly (737000) – Parts List.....	19
11.2.1 Stand Assembly (737004) – Exploded View .....	21
11.2.2 Stand Assembly (737004) – Parts List.....	22
11.3.1 Dust Collection Box Assembly (737005) – Exploded View.....	24
11.3.2 Dust Collection Box Assembly (737005) – Parts List .....	25
11.4.1 Fence Assembly (737001) – Exploded View .....	26
11.4.2 Fence Assembly (737001) – Parts List .....	27
11.5.1 Table Assembly – Exploded View .....	28
11.5.2 Cast Iron Table Assembly (737002) – Parts List .....	28
11.5.3 MDF Table Assembly (737003) – Parts List .....	28
12.0 Warranty and service .....	29

The specifications in this manual were current at time of publication, but because of our policy of continuous improvement, JET reserves the right to change specifications at any time and without prior notice, without incurring obligations.

#### 4.0 Specifications for JET Router Lift and Components

Table 1

Component stock numbers	
Router Lift with Cast Table Kit <i>(includes items marked *)</i>	<b>737000CK</b>
Router Lift with MDF Table Kit <i>(includes items marked °)</i>	<b>737000WK</b>
JRL-912 Router Lift *°	<b>737000</b>
Fence Assembly 32 in. *°	<b>737001</b>
Cast Iron Table 32x24 in. *	<b>737002</b>
MDF Table 32x24 in. °	<b>737003</b>
Floor Stand (with Power Switch and Miter Gauge) *°	<b>737004</b>
Dust Collection Box *°	<b>737005</b>
Power Switch	<b>737006</b>
Phenolic Inserts – set of 5 (ZC, 6.4, 12.7, 30, 63.5 mm)	<b>737007</b>
Flip Stop *°	<b>737008</b>
Fine Fence Adjuster (set of 2) *°	<b>737009</b>
Vertical Feather Board (set of 2) *°	<b>737010</b>
Horizontal Feather Board (set of 2)	<b>737011</b>
Power switch and electrical	
Switch type	Magnetic, paddle style with safety key
Input power and built-in receptacle	120-volt, single phase
On/off switch	Magnetic, paddle style with safety key
Power cord	3Cx2.08mm <sup>2</sup> 14AWG 300V, 6ft 9in.
Power plug included	120V
Capacities	
Miter gauge angle	30 deg. L and R
Router vertical movement	0.08 in. per turn of handle (0.002 in. graduation marks)
Dimensions of accepted routers (round body only)	Minimum 3-1/4"Ø with collar, Maximum 4-1/4"Ø
Dimensions	
Router Lift plate	9.25 x 11.75 in. (235 x 299 mm)
Insert provided	1-1/2 in. I.D.
Table	24 x 32 in. (610 x 813 mm)
Fence dust port	2-1/2 in. (63.5 mm) O.D.
Fence body length	32 in. (813 mm)
Sub-Fence length	Two at 16 in. (406 mm)
Dust collection box dust port	4 in. (101.6 mm) O.D.
Complete kit, fully assembled LxWxH	40 x 32 x 42 in. (1016 x 813 x 1067 mm)
Number of table T-slots	2
Table T-slot size WxD	3/4 x 3/8 in. and 3/8 x 1/4 in.
Main materials	
Table	Cast iron or MDF (melamine surfaced)
Fence body and rails	Extruded aluminum
Sub-fences	MDF (melamine surfaced)
Stand	Steel

Weights (approximate)		
737000CK	Net weight, fully assembled	229 lb. (103.92 kg)
	Shipping weight, complete crate	315 lb. (142.75 kg)
737000WK	Net weight, fully assembled	173 lb. (78.5 kg)
	Shipping weight, complete crate	255.6 lb. (116 kg)

<sup>1</sup> Subject to local/national electrical codes. Recommendation based upon dedicated circuit.

<sup>2</sup> The specified values are emission levels and are not necessarily to be seen as safe operating levels. As workplace conditions vary, this information is intended to allow the user to make a better estimation of the hazards and risks involved only.

L = length, W = width, H = height, D = depth O.D. = outside diameter

## 5.0 Setup and Assembly



**Read and understand the entire contents of this manual before attempting assembly or operation! Failure to comply may cause serious injury!**

### 5.1 Unpacking and cleanup

1. Remove all contents from shipping carton. Do not discard cartons or packing material until product is assembled and running satisfactorily.
2. Inspect contents for shipping damage. Report any damage to your distributor.
3. Compare contents of shipping carton with the contents list below. Report shortages, if any, to your distributor.

### 5.2 Shipping contents

See Figures 5-1 thru 5-5.

#### Box #1 Cast iron table

- 1 Router table, cast iron
- 6 Socket head cap screws, M6x16
- 6 Lock washers M6
- 6 Flat washers M6
- 10 Socket flat head screws, M6x20
- 10 Hex nuts M6

OR...

#### **MDF table**

- 1 Router table, MDF/Melamine
- 10 Socket flat head wood screws M7x40
- 32 Phillips pan hd. wood screws 3/16" x 5/8"

#### Box #2 Router Lift Assembly

- 1 Router Lift
- 2 Crank handle
- 1 Pin wrench
- 1 Router adaptor, 3-1/4 in.
- 1 Router adaptor, 3-1/2 in.
- 4 Hex wrenches, 3,4,6,8 mm

- 2 Socket hd flat screws M6x30

- 1 Starter pin with screw

- 1 Insert ring, 38.1mm

#### Box #3 Dust Collection Box Assembly

- 1 Front panel with door
- 1 Left panel
- 1 Right panel
- 1 Rear panel
- 1 Bottom panel
- 1 Dust port
- 1 Dust hose with clamps
- 6 Hex cap screws M6x12
- 6 Flat washers M6
- 6 Lock washers M6
- 3 Pan hd. machine screws M4x10
- 26 Pan hd. machine screws M4x6

#### **Box #4 Stand Assembly**

- 4 Leg tubes
- 4 Support bars – 2 long, 2 short
- 4 Lower braces – 2 long, 2 short
- 1 Miter gauge assembly
- 1 Switch assembly
- 1 Swivel caster assembly
- 2 Wheels
- 2 Wheel brackets
- 1 Tool holder assembly
- 4 Levelers
- 2 Bit storage racks
- 2 Hex cap screws M8x50
- 2 Lock nuts M8
- 6 Flat washers, M8
- 4 Socket hd cap screws M6x16
- 4 Flat washers M6
- 40 Hex cap screws M6x12
- 40 Flat washers M6
- 2 Pan hd mach screws M4x20
- 4 Hex nuts M4



Figure 5-1a: Box #1 Cast Iron Table  
-- OR --

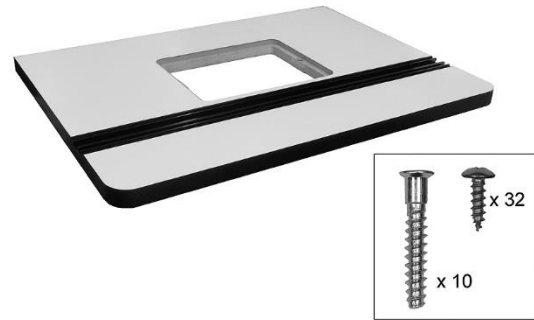


Figure 5-1b: Box #1 MDF Table

#### **Box #5 Fence Assembly**

- 1 Dust port
  - 1 Guard
  - 1 Fence
  - 2 Fence faces
  - 2 Side bracket bases
  - 2 Side brackets
  - 1 Miter gauge fence
  - 2 Lock handles with nuts
  - 8 Lock knobs with T-bolts
  - 10 Flat washers M8
  - 2 Fence spacers
  - 8 Socket hd cap screws, M6x12
  - 6 Hex cap screws 1/4x5/8
  - 6 Flat washers M6
  - 6 Square nuts 1/4
  - 2 Wing nuts M6\*
  - 2 Flat washers M6\*
  - 2 Hex cap screws M6x30\*
- (\* packaged inside miter gauge fence)



Figure 5-2: Box #2 Router Lift Assembly

#### **5.3 Tools Required for Assembly**

- Cross-point (Phillips) screwdriver
  - Hex wrenches 4, 6, 8mm
  - Open-end wrenches 10,12,14 mm
- (NOTE: A ratchet wrench with sockets will speed assembly time.)





## 5.4 Stand Assembly

See Figure 5-6.

1. Mount support bars (2 long, 2 short) to legs (#4). Mount lower braces (2 long, 2 short) to legs. Position JET logo toward front of stand.
2. Install levelers (#19). These can be adjusted for height at any time to make the stand level and accommodate use of the wheels and swivel caster. Tighten leveler hex nut against stand.
3. Install wheels (#12) with brackets, and swivel caster (#14) with its bracket.
4. Mount power switch with bracket (#10) and storage hook assembly (#42) to legs.

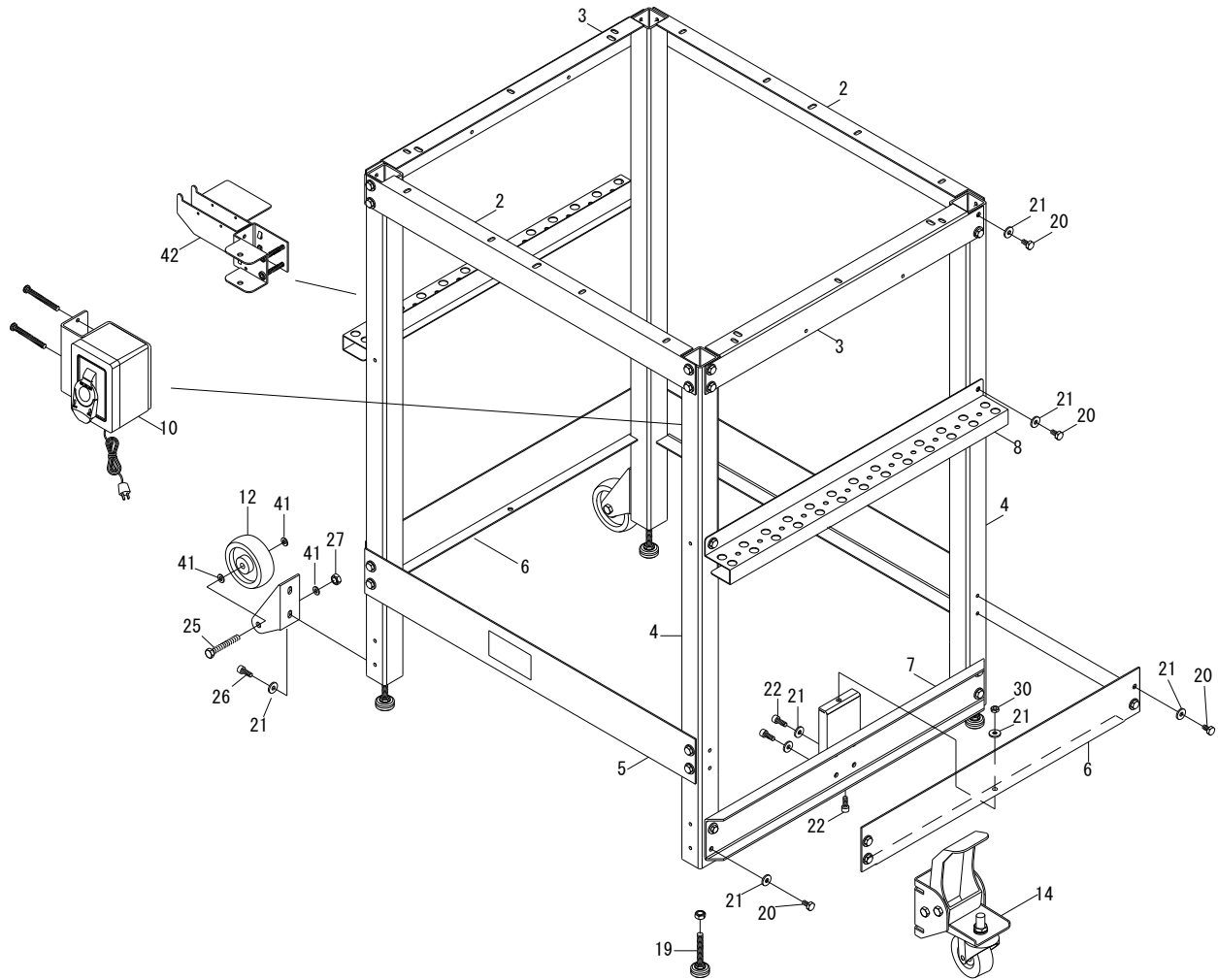


Figure 5-6

## 5.5 Dust Collection Box

See Figure 5-7.

1. Assemble panels as shown, using M4x6 pan head screws (#3). Do not fully tighten screws yet. When all screws are inserted, place box on level surface and push down to settle it evenly. Then tighten all screws.
2. Install dust port (#19) and hose with clamp (#13/20).



**Cast iron table is heavy! Use an assistant to help lift and assemble to stand.**

3. Turn cast iron (or MDF) table upside down. Use mat or cardboard underneath to prevent scratching table surface.
4. Install dust collection box to bottom of table. *Cast iron table:* Use six hex cap screws, lock washers, and flat washers into threaded holes. *MDF table:* Use Phillips pan head wood screws into pilot holes.

## 5.6 Mounting Table to Stand

1. Mount table to stand and secure with fasteners. *Cast iron table:* Use socket head cap screws, lock washers and flat washers (#15/16/17, Figure 5-7) into threaded holes. *MDF table:* Use Phillips pan head wood screws into pilot holes.

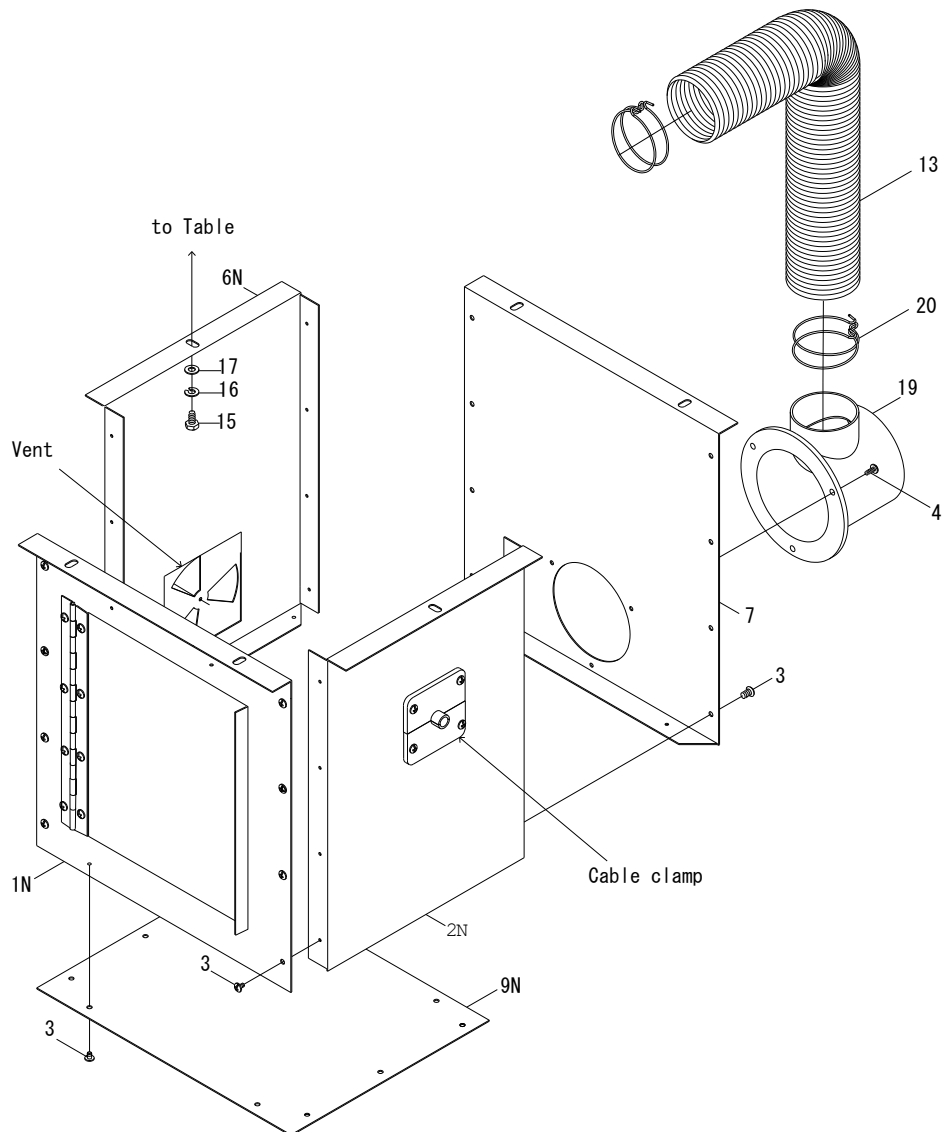


Figure 5-7

## 5.7 Fence Assembly

See Figure 5-8.

1. Attach a rail base (#12) to each side of table with socket head cap screws (#18). Hand-tighten only.
2. Slide a scale (#15) into each rail (#13). Slide square nuts (#16) into channel of base, and mount rails to bases with hex cap screws (#19) and flat washers (#17). Attach rails so they are flush with back edge of table. Make adjustments as needed, then tighten screws on bases (#18).
3. Carefully align zero mark on scale with inscribed line at edge of table (see Figure 5-9). This is best done using a steel straight edge or carefully jointed piece of wood laid across entire width of table and along the inscribed lines. Tighten knob to fix scale position. Repeat for other side.
4. Slide hex nut (#7) into rail channel (#13) and mount fence (#1) using handles (#2) and washers (#5).
5. Install sub-fences (#9), router bit guard (#10) and dust port (#32) as shown. Attach dust hose to port with clamp.

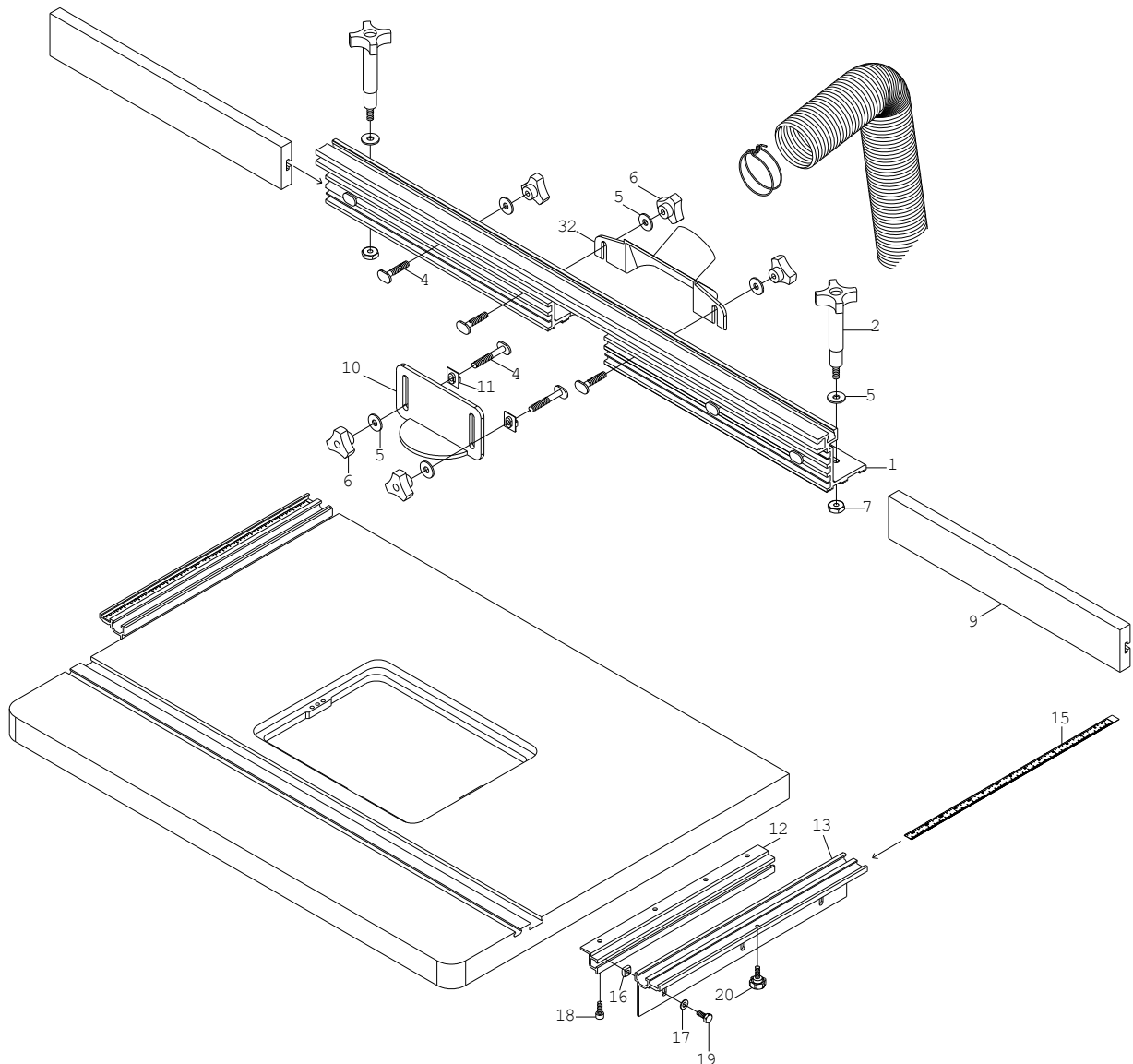


Figure 5-8

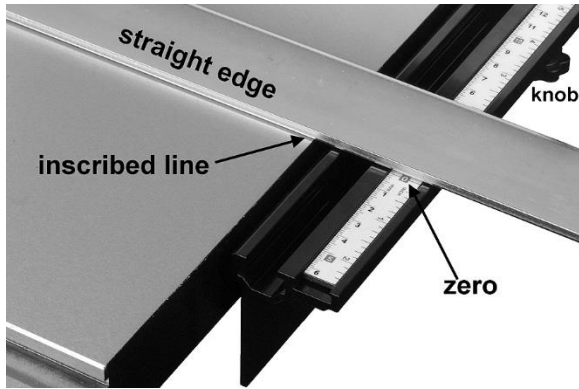


Figure 5-9

### 5.8 Installing Router Lift

See Figure 5-10.

1. Insert ten flat head screws (#2, provided with table) into holes in table recess – threaded holes in cast iron table; pilot holes in MDF table).
2. Place Router Lift into hole and place a straight edge across table and router plate. Continue adjusting flat head screws until router plate sits flush with table surface at all four edges.
3. Cast iron table: Install and tighten hex nuts (#3) on each screw beneath recess (not applicable to MDF table).
4. Insert two flat head screws through router plate into table and tighten with 4mm hex wrench.

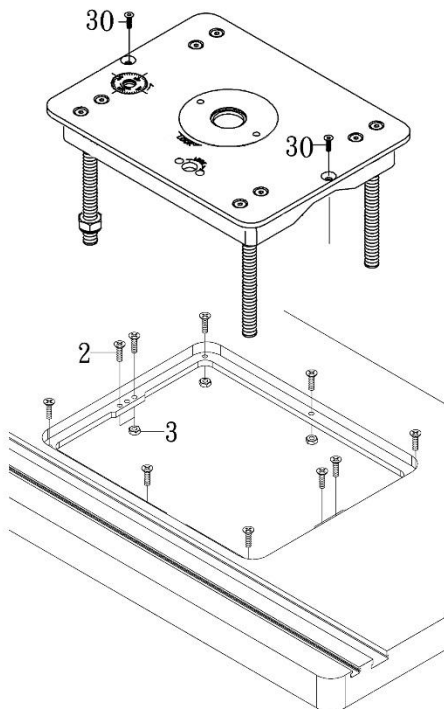


Figure 5-10 (cast iron table shown)

### 5.9 Installing Router (not provided)

The universal clamp collar will secure a router without the need to match hole patterns on its mounting plate. The Router Lift accepts *round body routers* only, with minimum 3-1/4" diameter to maximum 4-1/4" diameter. **Router must be disconnected from power when installing.**

1. Lower router lift with crank handle (see Figure 7-30) so that router spindle will not protrude through insert when being installed.
2. Remove router lift and place upside down on a table.
3. Slide router (not provided) as far as it will go into router lift collar. If router body diameter is too small, install one of the provided adaptors into collar first, then install router. See Figure 5-11.
4. Position router so that power cord will be toward right side of dust collection box.
5. Loosen two hex nuts (A, Figure 5-11) and tighten screw (B, Figure 5-11) with 8mm hex wrench. Retighten hex nuts to secure setting.

**CAUTION** Make sure router is firmly secured in clamping collar before operating.

6. Replace Router Lift in table and secure with the two flat head screws.
7. Remove cord clamp from right panel of Dust Collection Box (see Figure 5-7). Feed router cord through hole and insert plug into receptacle on back of switch.
8. Reinstall cord clamp.

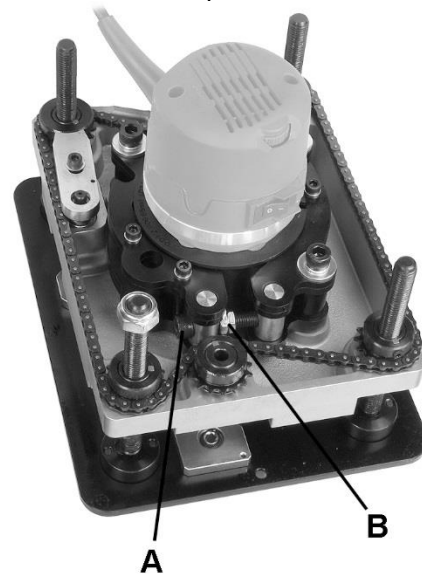


Figure 5-11

## 6.0 Electrical Connections

**⚠WARNING** All electrical connections must be made by a qualified electrician in compliance with all local codes and ordinances. Failure to comply may result in serious injury.

The Power Switch (part no. 737006) that accompanies the JRL-912 Router Lift Stand is rated for 120-volt power and comes with a plug designed for use on a circuit with a *grounded outlet* that looks like the one pictured in A, Figure 6-1.

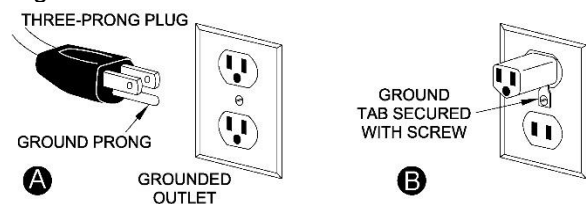


Figure 6-1

The switch has a 120-volt receptacle on the back for connecting a router (not included).

Before connecting to power source, be sure switch is in *off* position.

**Local codes take precedence over recommendations.**

### 6.1 GROUNDING INSTRUCTIONS

This tool must be grounded. In the event of a malfunction or breakdown, grounding provides a path of least resistance for electric current to reduce the risk of electric shock. This tool is equipped with an electric cord having an equipment-grounding conductor and a grounding plug. The plug must be plugged into a matching outlet that is properly installed and grounded in accordance with all local codes and ordinances.

Do not modify the plug provided - if it will not fit the outlet, have the proper outlet installed by a qualified electrician.

Improper connection of the equipment-grounding conductor can result in a risk of electric shock. The conductor with insulation having an outer surface that is green with or without yellow stripes is the equipment-grounding conductor. If repair or replacement of the electric cord or plug is necessary, do not connect the equipment-grounding conductor to a live terminal.

**⚠WARNING** Check with a qualified electrician or service personnel if the grounding instructions are not completely understood, or if in doubt as to whether the tool is properly grounded. Failure to comply may cause serious or fatal injury.

Use only 3-wire extension cords that have 3-prong grounding plugs and 3-pole receptacles that accept the tool's plug.

Repair or replace damaged or worn cord immediately.

*Grounded, cord-connected tools intended for use on a supply circuit having a nominal rating less than 150 volts:*

This tool is intended for use on a circuit that has an outlet that looks like the one illustrated in A, Figure 6-1. An adapter, shown in B, may be used to connect this plug to a 2-pole receptacle as shown in B if a properly grounded outlet is not available. The temporary adapter should be used only until a properly grounded outlet can be installed by a qualified electrician. The green-colored rigid ear, lug, and the like, extending from the adapter must be connected to a permanent ground such as a properly grounded outlet box.

In Canada, the use of a temporary adaptor is not permitted by the Canadian Electrical Code, C22.1.

### 6.2 Extension Cords

The use of extension cords is discouraged; try to position equipment within reach of the power source. If an extension cord becomes necessary, be sure it is heavy enough to carry the current your product will draw. An undersized cord will cause a drop in line voltage resulting in loss of power and overheating.

Table 2 shows recommended size to use depending on cord length and nameplate ampere rating. If in doubt, use the next heavier gauge. The smaller the gauge number, the heavier the cord.

Ampere Rating		Volts	Total length of cord in feet			
More Than	Not More Than		120	25	50	100
			AWG			
0	6		18	16	16	14
6	10		18	16	14	12
10	12		16	16	14	12
12	16		14	12	Not Recommended	

Extension Cord Recommendations  
Table 2

## 7.0 Adjustments

### 7.1 Stand Mobility

1. Push down pedal on swivel caster (Figure 7-1) to move stand. Lift up pedal with foot to disengage swivel caster. NOTE: The height of levelers may need adjustment for proper swivel caster engagement/disengagement.

**⚠WARNING** Disengage swivel caster before operating router; stand should be in fixed position.

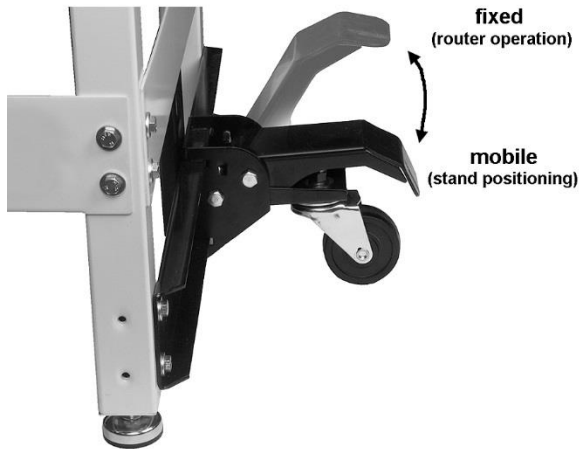


Figure 7-1

### 7.2 Miter Gauge

The miter gauge (Figure 7-2) can be used for end-routing a workpiece. Insert miter gauge bar into end of T-slot and slide gauge onto table. Loosen wing nuts to adjust fence. For angle cuts, loosen handle and rotate body to desired angle on scale. Tighten handle.

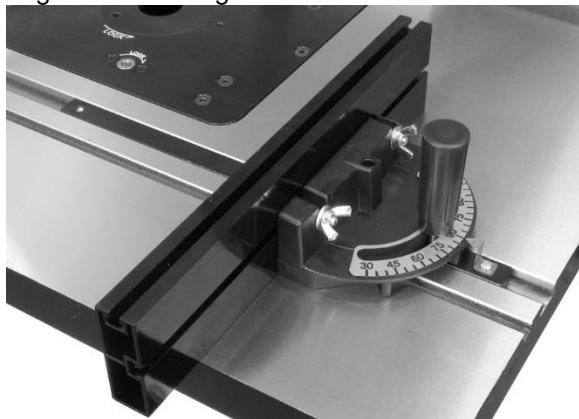


Figure 7-2

The fence must be set parallel to miter slot when using miter gauge. This can be done quickly by moving fence to equal dimension on left and right scales if the initial fence alignment was done properly (see sect. 5.7 and Figure 5-9).

For precise work, verify setting of miter gauge angle by placing an angle measuring device against miter gauge fence and T-slot.

The narrow table T-slot will accommodate additional routing accessories.

### 7.3 Router Elevation

Insert pin wrench and turn to lock or unlock insert. To raise or lower router, insert crank handle into hole and turn. To secure router height, use crank handle in “Lock” hole.

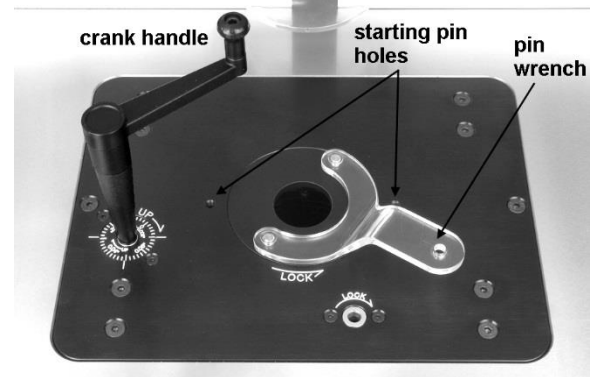


Figure 7-3

## 8.0 Operations

**⚠WARNING** Before using this Router Lift, thoroughly familiarize yourself with the safety and operating instructions that accompanied your router.

1. Disengage swivel caster before operating router.
2. For safety, adjust sub-fences and router bit guard as close to router bit as possible without interfering with bit or workpiece movement.
3. Adjust ventilation in dust collection box by rotating vent blades (see Figure 5-7).
4. Connect a dust collection system (not provided) to the dust port, with a 4-in. dust hose and clamp.
5. Power switch (Figure 8-1): Pull up paddle to start router, push down to stop. To prevent accidental or unauthorized use of router, pull out safety key. Key must be reinserted to start router.

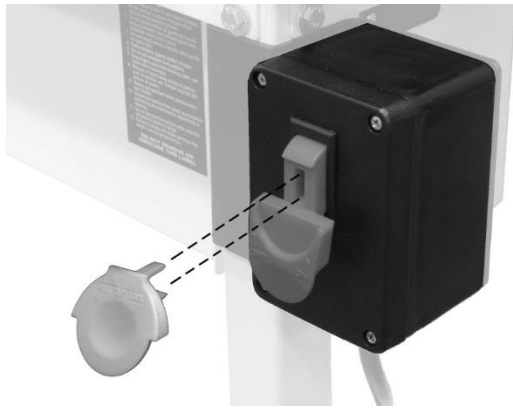


Figure 8-1

- The starting pin can be inserted into one of two holes in the router plate (see Figure 7-3). It is used as a support to help pivot the workpiece into the bit when doing freehand work. See Figure 8-2.

**⚠ WARNING** Always use starting pin when doing freehand work. Use of the starting pin in freehand work requires removal of fence and bit guard – exercise great caution. Keep hands away from rotating bit. Failure to comply may cause serious injury.

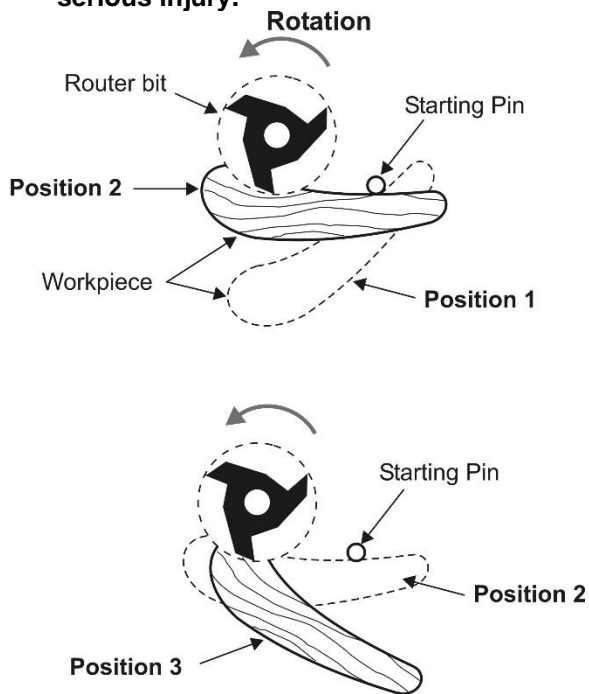


Figure 8-2

- Do not perform “climb cuts” (feeding the work with the bit rotation). Always feed work *against* the bit rotation. See Figure 8-3.
- For average work, where a portion of the original edge of the work is not to be

touched by the cutter, both sub-fences are set in a straight line as shown in Figure 8-3.

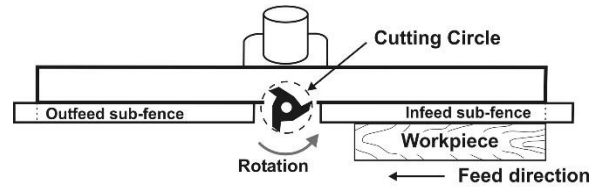


Figure 8-3

- When the operation removes the entire edge of the work, for example in jointing or making a full bead, the shaped edge will not be supported by the outfeed sub-fence when both fences are in line. In this case, place a shim behind the outfeed sub-fence that is equal thickness to the depth of cut. To determine size of shim, position a straight edge against router bit and bring outfeed sub-fence against it. See Figure 8-4.

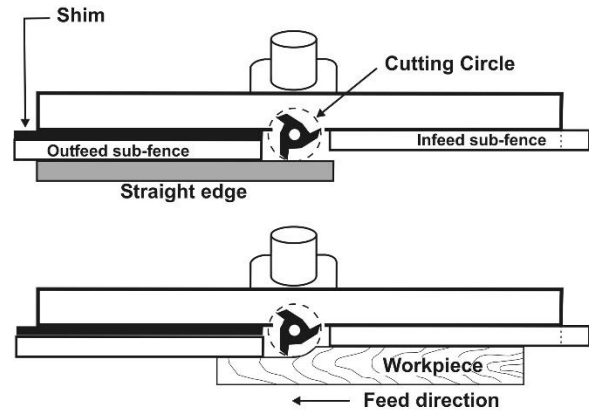


Figure 8-4

## 9.0 User-Maintenance

Lubricate the Router Lift chain with grease as needed.

Use a brush, vacuum or compressed air to blow out sawdust and debris from the dust collection box and table area.

Periodically apply a light coat of paste wax to cast iron table surface to inhibit rust.

### 9.1 Additional Servicing

Any additional servicing should be performed by authorized service personnel.



## 10.0 Optional Accessories

The following are optional accessories to enhance the functionality of the Router Lift. See your dealer or call JET to order.

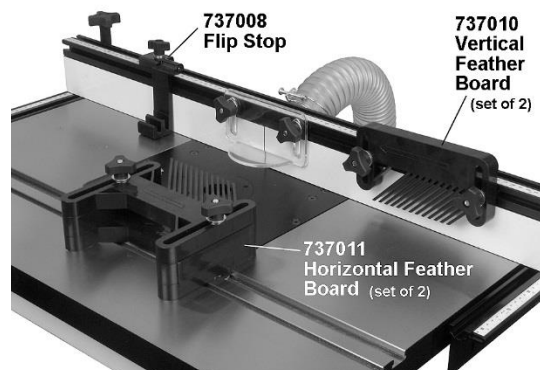


Figure 10-1

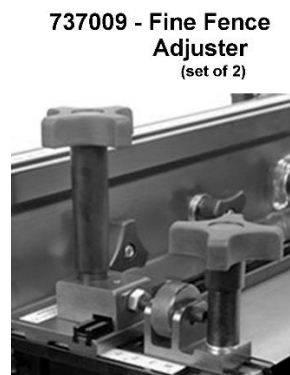


Figure 10-2

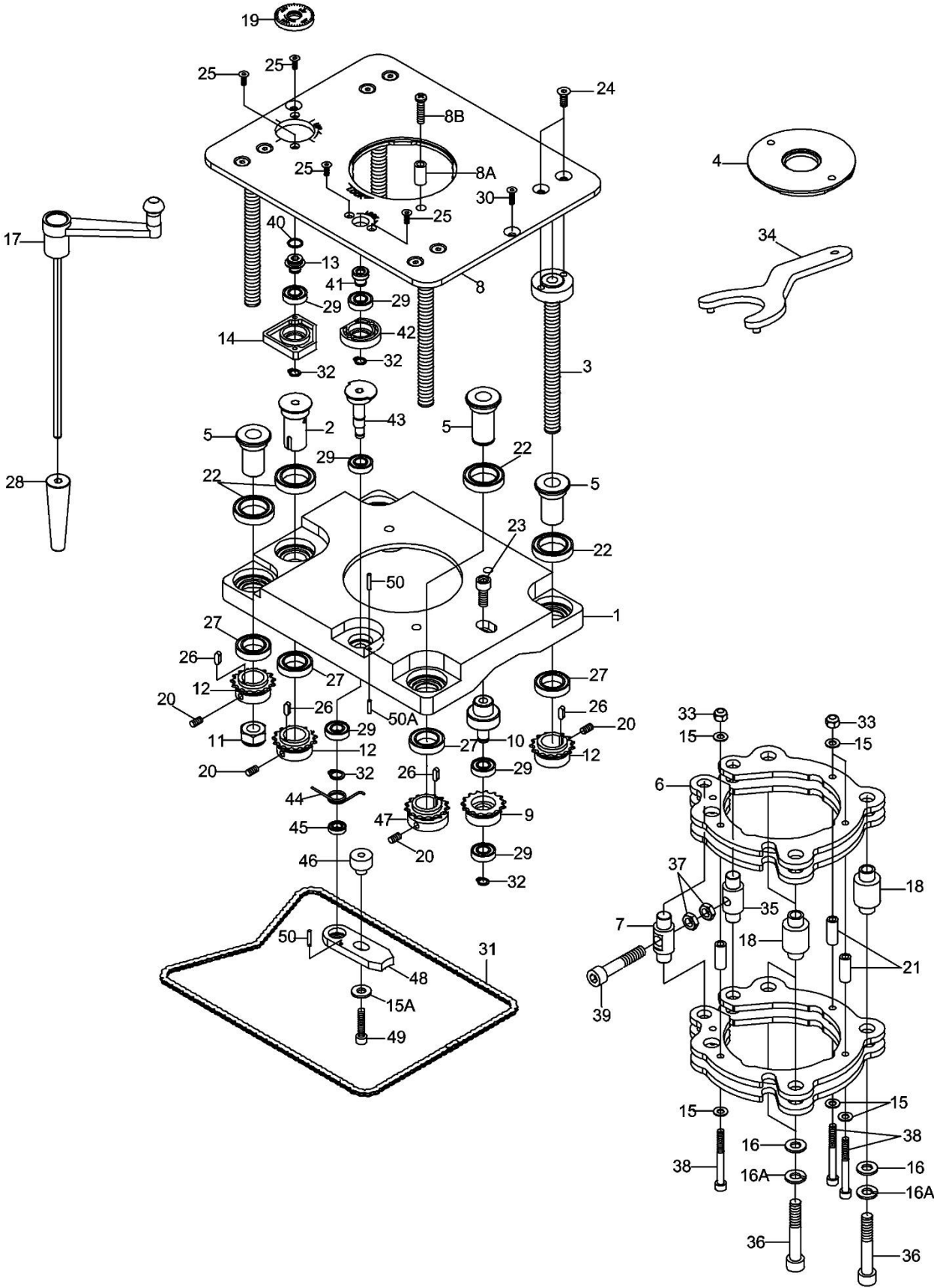
## 11.0 Replacement Parts

Replacement parts are listed on the following pages. To order parts or reach our service department, call 1-800-274-6848 Monday through Friday, 8:00 a.m. to 5:00 p.m. CST. Having the Model Number and Serial Number of your machine available when you call will allow us to serve you quickly and accurately.

Non-proprietary parts, such as fasteners, can be found at local hardware stores, or may be ordered from JET.

Some parts are shown for reference only and may not be available individually.

11.1.1 Router Lift Assembly (737000) – Exploded View



### 11.1.2 Router Lift Assembly (737000) – Parts List

Index No	Part No	Description	Size	Qty
1	JRL912-101	Aluminum Carriage Bracket		1
2	JRL912-102	Main Gear Shaft		1
3	JRL912-103	Lead Screw Assembly		4
4	JRL912-104	Insert Ring		1
5	JRL912-105	Gear Shaft		4
6	JRL912-106	Carriage Plate		4
7	JRL912-107	Clamp Post		1
8	JRL912-108	Top Table		1
8A	JRL912-108A	Starter Pin		1
8B	TS-2286252	Phillips Pan Hd Machine Screw	M6-1.0x25	1
9	JRL912-109	Cam Gear		1
10	JRL912-110	Eccentric Wheel		1
11	TS-2342141	Nylon Lock Hex Nut	M14-2.0	1
12	JRL912-112	Sprocket		4
13	JRL912-113	Upper Guide Nut		1
14	JRL912-114	Upper Guide Nut Base		1
15	TS-1550041	Flat Washer	M6	12
15A	JRL912-15A	Flat Washer	M6(D16)	1
16	TS-1550071	Flat Washer	M10	3
16A	TS-2361101	Lock Washer	M10	3
17	JRL912-117	Crank Handle		1
18	JRL912-118	Sleeve		3
19	JRL912-119	Scale Plate		1
20	TS-1523011	Socket Set Screw	M6-1.0x6	10
21	JRL912-121	Bushing		4
22	BB-6805ZZ	Ball Bearing	6805ZZ	5
23	TS-1504041	Socket Head Cap Screw	M8-1.25x20	1
24	F010986	Socket Head Flat Screw BO	M6-1.0x18	8
25	TS-1512021	Socket Head Flat Screw	M4-0.7x12	4
26	5FK-B05	Key, Double Rd Hd	4x4x12mm	5
27	BB-6804ZZ	Ball Bearing	6804ZZ	5
28	JRL912-128	Crank Handle Sleeve		1
29	BB-6900ZZ	Ball Bearing	6900ZZ	6
30	F010966	Socket Head Flat Screw BO	M6-1.0x30	2
31	JRL912-131	Chain		1
32	F006040	C-Retaining Ring, Ext	10mm	4
33	TS-1541021	Nylon Lock Hex Nut	M6-1.0	4
34	JRL912-134	Pin Wrench		1
35	JRL912-135	Anti-Backlash Pin		1
36	TS-1505111	Socket Head Cap Screw	M10-1.5x70	3
37	TS-1540071	Hex Nut	M10 -1.5	2
38	TS-1503131	Socket Head Cap Screw	M6-1.0x60	4
39	TS-2239551	Socket Head Cap Screw	M10-1.5x55	1
40	JRL912-140	O-Ring	Ø12.42x1.78	1
41	JRL912-141	Lock Guide Nut		1
42	JRL912-142	Upper Guide Nut Base		1
43	JRL912-143	Eccentric Shaft		1
44	JRL912-144	Torsion Spring		1
45	BB-688ZZ	Ball Bearing	688ZZ	1
46	JRL912-146	Lock Arm Spacer		1
47	JRL912-147	Brake Gear		1
48	JRL912-148	Lock Arm		1
49	TS-1503071	Socket Head Cap Screw	M6-1.0x30	1

50	F012092	Roll Pin	3×18 mm	2
50A	F012096	Roll Pin	3×12 mm	1
51	JRL912-RA1	Router Adaptor 3.5 in ID (not shown)		1
52	JRL912-RA2	Router Adaptor 3.25 in ID (not shown)		1
	TS-152704	Hex Wrench (not shown)	3mm	1
	TS-152705	Hex Wrench (not shown)	4mm	1
	TS-152706	Hex Wrench (not shown)	5mm	1
	TS-152707	Hex Wrench (not shown)	6mm	1

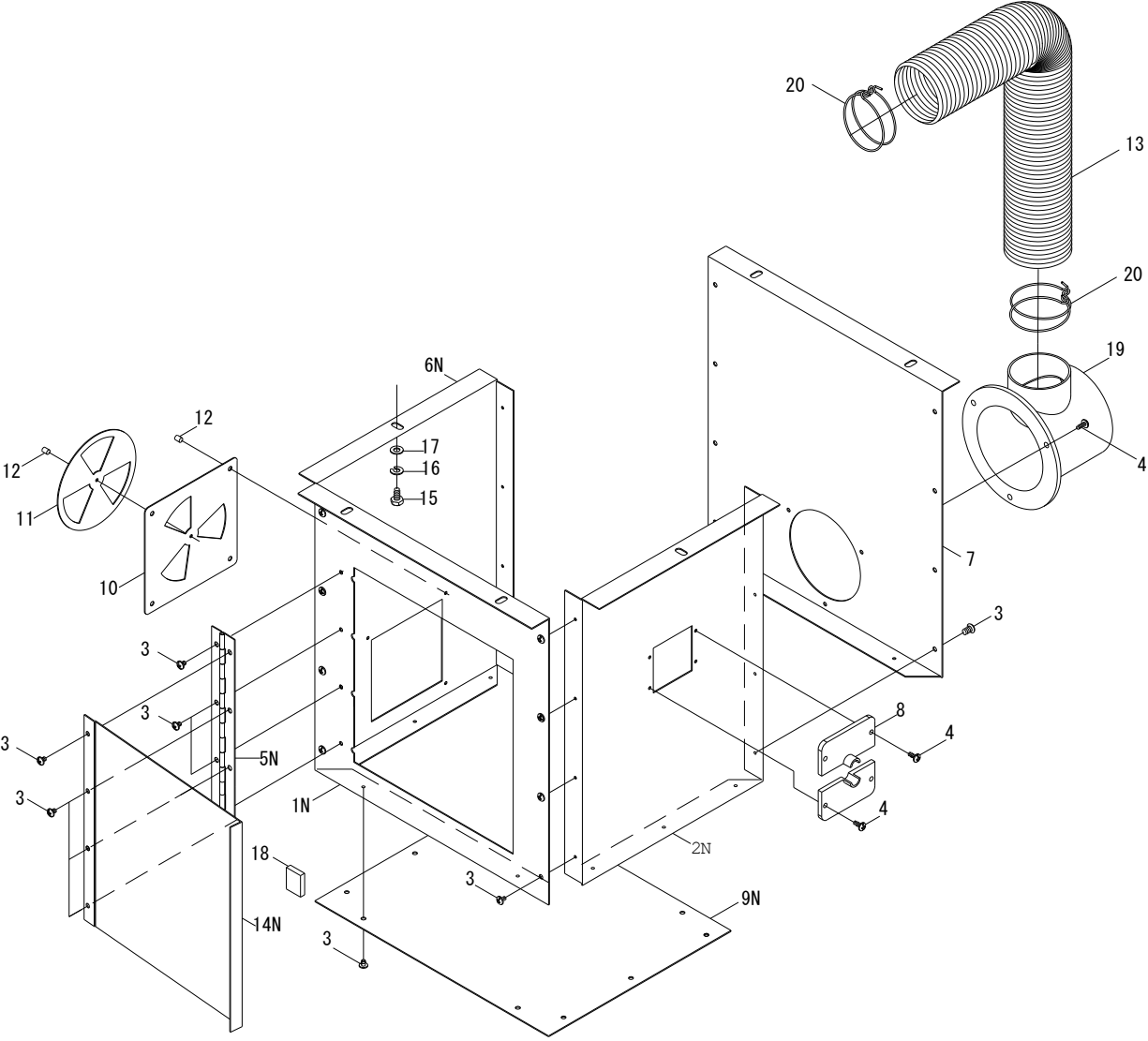


### 11.2.2 Stand Assembly (737004) – Parts List

Index No	Part No	Description	Size	Qty
2	JRL912-202	Long Support Bar		2
3	JRL912-203	Short Support Bar		2
4	JRL912-204	Stand Leg		4
5	JRL912-205	Long Lower Brace		2
6	JRL912-206	Short Lower Brace		2
7	JRL912-207	Wheel Frame Bracket		1
8	JRL912-208	Router Bit Rack		2
9	JRL912-209	Switch Base		1
10	737006	On/Off Switch (includes #24)	15A 125V	1
11	JRL912-211	Wheel Bracket		2
12	JRL912-212	Plastic Wheel	76mm	2
13	JRL912-213	Caster Frame		1
14	JRL912-214	Pedal		1
15	JRL912-215	Caster Base		1
16	JRL912-216	Swivel Caster		1
17	JRL912-217	Square Nut	M1-1.5	4
18	TS-1540071	Hex Nut	M10-1.5	4
19	JRL912-219	Leveling Pad		4
20	TS-1482021	Hex Cap Screw	M6-1.0x12	40
21	TS-1550041	Flat Washer	M6	52
22	TS-1503041	Socket Head Cap Screw	M6-1.0x16	5
24	JRL912-224	Power Cord	15 mm <sup>2</sup> x3C	1
25	TS-2208501	Hex Cap Screw	M8-1.25x50	2
26	TS-1503031	Socket Head Cap Screw	M6-1.0x12	4
27	TS-1541031	Nylon Lock Hex Nut	M8-1.25	4
28	TS-1540021	Hex Nut Full	M4-0.7	4
29	TS-2284202	Phillips Pan Hd Machine Screw	M4-0.7x20	2
30	TS-2311061	Hex Nut Full	M6-1.0	1
31	TS-0640091	Nylon Lock Hex Nut	3/8-16	1
32	TS-1550071	Flat Washer	M10	1
34	SBR30M-53	Hex Cap Screw	M8x90	2
35	5AD-D04A	Phillips Pan Hd Machine Screw	M5-0.8x8	6
36	JRL912-236	Support Plate		1
37	JRL912-237	Phillips Pan Hd Machine Screw	M5-0.8x45	4
38	JRL912-238	Tool Bracket		1
39	TS-1550061	Flat Washer	M8	2
40	TS-1550031	Flat Washer	M5	2
41	TS-1550061	Flat Washer	M8	6
42	JRL912-242	Storage Hook		a1
43	JRL912-243	Hook Extension Plate		1
44	LT00-B10	Phillips Pan Hd Machine Screw	M4-0.7x5	2
45	JRL912-245	Guide Bar		1
46	JRL912-246	Miter Gauge Body		1
47	JRL912-247	Guide Washer		1
48	LT04-B13	Phillips Pan Hd Machine Screw	M6-1.0x8	1
49	JRL912-249	Pointer		1
50	41002-93	Phillips Pan Hd Machine Screw	#10-24x1/4"	1
51	JRL912-251	Lock Knob	1/4" x25	1
52	JRL912-252	Miter Fence		1
53	TS-1482061	Hex Cap Screw	M6-1.0x30	2
54	TA-2321061	Wing Nut	M6-1.0	2
55	F001219	Phillips Pan Hd Machine Screw	M5-0.8x85	1
56	TS-1541011	Nylon Lock Hex Nut	M5-0.8	1

.....JRL912-246A .....	Miter Gauge Assembly.....	.....	1
.....JRL912-242A .....	Storage Hook Assembly .....	.....	1
.....JRL912-216A .....	Swivel Caster Assembly .....	.....	1
.....TS-2284202 .....	Phillips Pan Hd Machine Screw (not shown) .....	M4x20 .....	2
.....TS-1541001 .....	Hex Nut (not shown) .....	M4 .....	4

11.3.1 Dust Collection Box Assembly (737005) – Exploded View

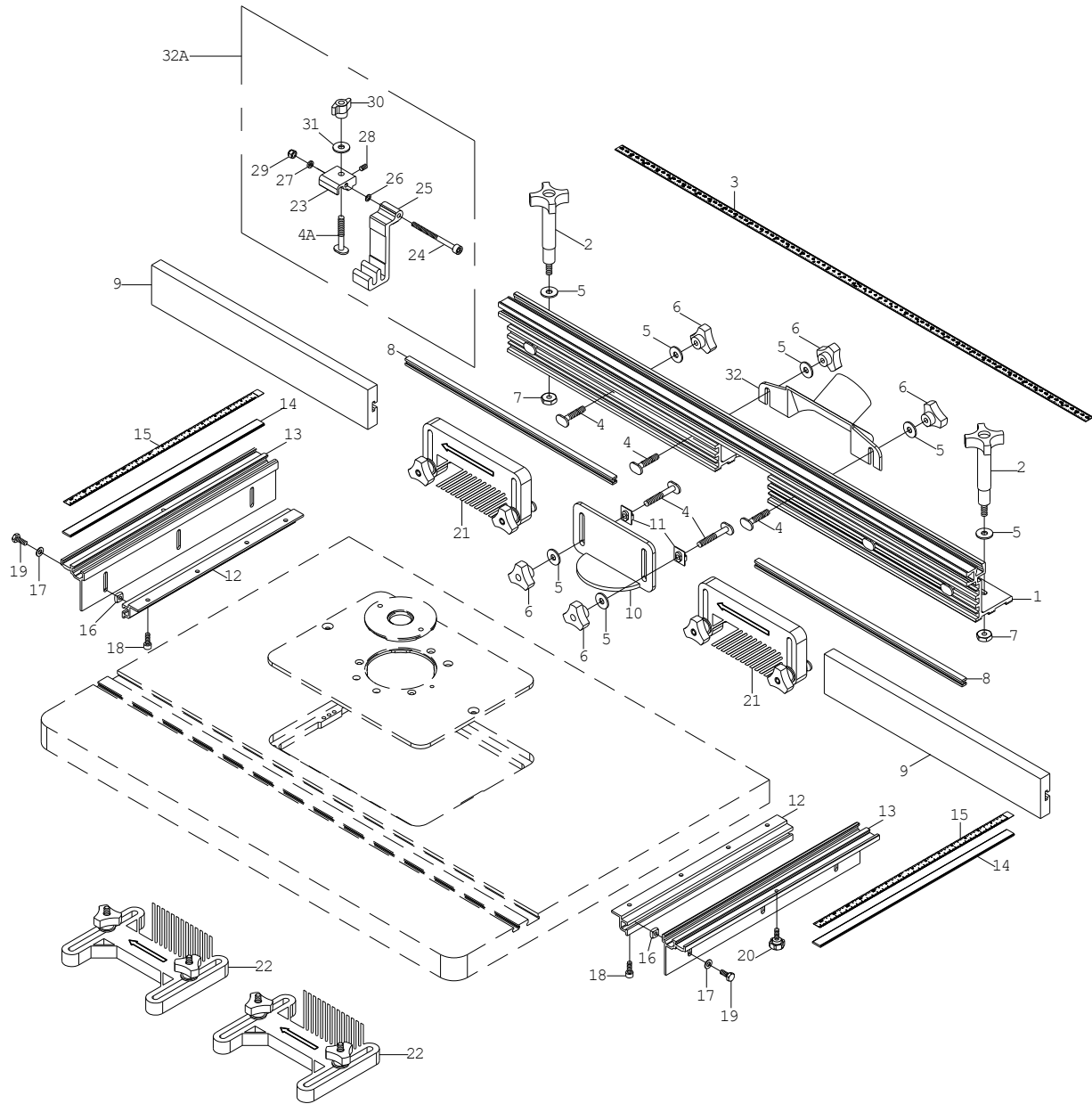




### 11.3.2 Dust Collection Box Assembly (737005) – Parts List

Index No	Part No	Description	Size	Qty
1N	JRL912-301N	Front Panel		1
2N	JRL912-302N	Right Panel		1
3	TS-2171012	Phillips Pan Hd Machine Screw	M4-0.7x6	34
4	TS-1532032	Phillips Pan Hd Machine Screw	M4-0.7x10	7
5N	JRL912-305N	Continuous Hinge		1
6N	JRL912-306N	Left Panel		1
7	JRL912-307	Rear Panel		1
8	JRL912-308	Power Cord Clamp (2pcs)		2
9N	JRL912-309N	Bottom Panel		1
10	JRL912-310	Adjustable Vent Base		1
11	JRL912-311	Adjustable Vent Plate		1
12	JRL912-312	Rivet	M32	5
13	JRL912-313	Dust Hose	M63x80cm	1
14N	JRL912-314N	Door Panel		1
15	TS-1482021	Hex Cap Screw	M6-1.0x12	6
16	TS-2361061	Lock Washer	M6	6
17	TS-1550041	Flat Washer	M6	6
18	JRL912-318	Magnet		1
19	JRL912-319	Dust Chute		1a
20	JRL912-320	Hose Clamp	M63	2

### 11.4.1 Fence Assembly (737001) – Exploded View



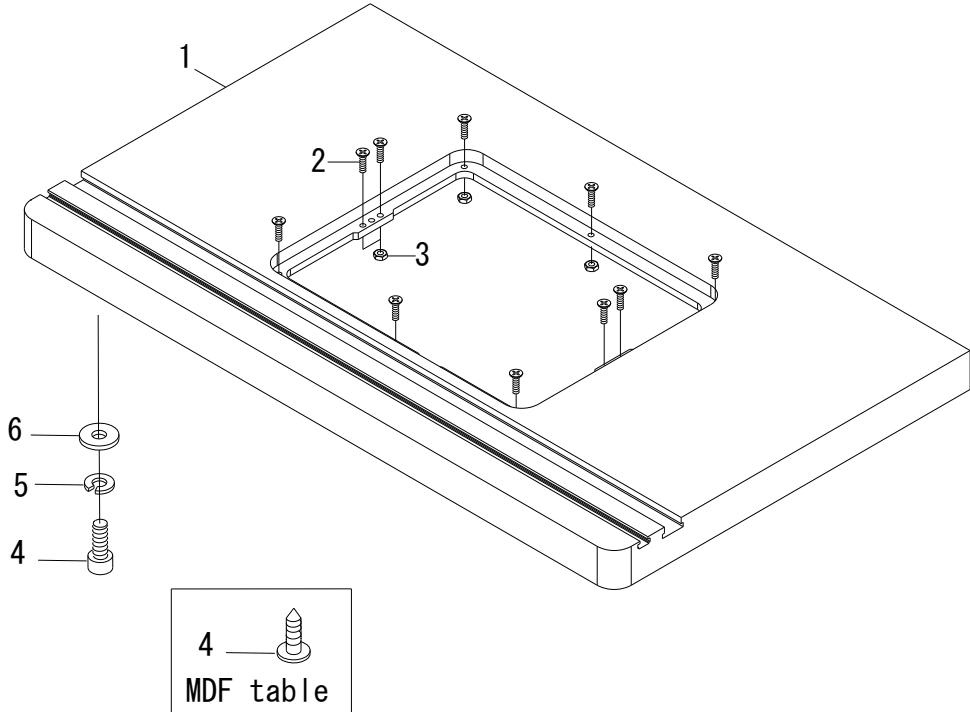
#### 11.4.2 Fence Assembly (737001) – Parts List

Index No	Part No	Description	Size	Qty
1	JRL912-400	Router Table Fence	910mm	1
2	JRL912-401	Lock Handle	M8	2
3	JRL912-402	Scale	905mm	1
4	JRL912-403	T-Bolt		8
5	TS-1550061	Flat Washer	M8	10
6	JRL912-406	Lock Knob	M8	8
7	JRL912-407	Lock Nut	M8	2
9	JRL912-409	Sub-Fence	451mm	2
10	JRL912-410	Router Bit Guard		1
11	JRL912-411	Fence Spacer		2
12	JRL912-412	Side Rail Base	320mm	2
13	JRL912-413	Side Rail	375mm	2
14	JRL912-414	Rule Plate	300mm	2
15	JRL912-415	Scale	300mm	2
16	JRL912-416	Square Nut	1/4"	6
17	TS-1550041	Flat Washer	M6	6
18	TS-1503031	Socket Head Cap Screw	M6-1.0x12	8
19	TS-0050021	Hex Cap Screw	1/4-20x5/8	6
20	JRL912-420	Lock Knob	M6x12	2
32	JRL912-432	Dust Port		1

#### Optional Accessories:

8	JRL912-408	Shims for Sub-Fence (set of 2)	401mm	1
21	737010	Vertical Feather Board Assembly (set of 2)		1
22	737011	Horizontal Feather Board Assembly (set of 2)		1
32A	737008	Flip Stop Assembly (includes #23 thru 31)		1
23		Clamp Bracket		1
24		Socket Head Cap Screw	M6-1.0x75	1
25		Flip Stop		1
26		Flat Washer (Optional)		1
27		Flat Washer (Optional)		1
28		Socket Set Screw (Optional)	M6-1.0x16	1
29		Hex Nylon Lock Nut (Optional)	M6-1.0	1
30		Lock Knob (Optional)	M8	1
31		Flat Washer (Optional)	M8	1

11.5.1 Table Assembly – Exploded View



11.5.2 Cast Iron Table Assembly (737002) – Parts List

Index No	Part No	Description	Size	Qty
1	JRL912-501	Router Table Cast Iron	32"x24"	1
2	TS-2286201	Phillips Flat Head Machine Screw	M6-1.0x20	10
3	TS-2311061	Hex Nut	M6-1.0	10
4	TS-1503041	Socket Head Cap Screw	M6-1.0x16	6
5	TS-2361061	Lock Washer	M6	6
6	TS-1550041	Flat Washer	M6	6

11.5.3 MDF Table Assembly (737003) – Parts List

Index No	Part No	Description	Size	Qty
1	JRL912-601	Router Table MDF	32"x24"	1
2	JRLS-602	Phillips Flat Hd Wood Screw	M7x40	10
4	JRLS-603	Pan Head Wood Screw	3/16" x 5/8"	28
12	F010966	Socket Head Flat Screw BO (not shown)	M6-1.0x30	2

## 12.0 Warranty and service

JET warrants every product it sells against manufacturers' defects. If one of our tools needs service or repair, please contact Technical Service by calling 1-800-274-6846, 8AM to 5PM CST, Monday through Friday.

### Warranty Period

The general warranty lasts for the time period specified in the literature included with your product or on the official JET branded website.

- JET products carry a limited warranty which varies in duration based upon the product. (See chart below)
- Accessories carry a limited warranty of one year from the date of receipt.
- Consumable items are defined as expendable parts or accessories expected to become inoperable within a reasonable amount of use and are covered by a 90 day limited warranty against manufacturer's defects.

### Who is Covered

This warranty covers only the initial purchaser of the product from the date of delivery.

### What is Covered

This warranty covers any defects in workmanship or materials subject to the limitations stated below. This warranty does not cover failures due directly or indirectly to misuse, abuse, negligence or accidents, normal wear-and-tear, improper repair, alterations or lack of maintenance. JET woodworking machinery is designed to be used with Wood. Use of these machines in the processing of metal, plastics, or other materials outside recommended guidelines may void the warranty. The exceptions are acrylics and other natural items that are made specifically for wood turning.

### Warranty Limitations

Woodworking products with a Five Year Warranty that are used for commercial or industrial purposes default to a Two Year Warranty. Please contact Technical Service at 1-800-274-6846 for further clarification.

### How to Get Technical Support

Please contact Technical Service by calling 1-800-274-6846. **Please note that you will be asked to provide proof of initial purchase when calling.** If a product requires further inspection, the Technical Service representative will explain and assist with any additional action needed. JET has Authorized Service Centers located throughout the United States. For the name of an Authorized Service Center in your area call 1-800-274-6846 or use the Service Center Locator on the JET website.

### More Information

JET is constantly adding new products. For complete, up-to-date product information, check with your local distributor or visit the JET website.

### How State Law Applies

This warranty gives you specific legal rights, subject to applicable state law.

### Limitations on This Warranty

JET LIMITS ALL IMPLIED WARRANTIES TO THE PERIOD OF THE LIMITED WARRANTY FOR EACH PRODUCT. EXCEPT AS STATED HEREIN, ANY IMPLIED WARRANTIES OF MERCHANTABILITY AND FITNESS FOR A PARTICULAR PURPOSE ARE EXCLUDED. SOME STATES DO NOT ALLOW LIMITATIONS ON HOW LONG AN IMPLIED WARRANTY LASTS, SO THE ABOVE LIMITATION MAY NOT APPLY TO YOU.

JET SHALL IN NO EVENT BE LIABLE FOR DEATH, INJURIES TO PERSONS OR PROPERTY, OR FOR INCIDENTAL, CONTINGENT, SPECIAL, OR CONSEQUENTIAL DAMAGES ARISING FROM THE USE OF OUR PRODUCTS. SOME STATES DO NOT ALLOW THE EXCLUSION OR LIMITATION OF INCIDENTAL OR CONSEQUENTIAL DAMAGES, SO THE ABOVE LIMITATION OR EXCLUSION MAY NOT APPLY TO YOU.

JET sells through distributors only. The specifications listed in JET printed materials and on official JET website are given as general information and are not binding. JET reserves the right to effect at any time, without prior notice, those alterations to parts, fittings, and accessory equipment which they may deem necessary for any reason whatsoever. JET® branded products are not sold in Canada by JPW Industries, Inc.

**Product Listing with Warranty Period**

90 Days – Parts; Consumable items
1 Year – Motors; Machine Accessories
2 Year – Metalworking Machinery; Electric Hoists, Electric Hoist Accessories; Woodworking Machinery used for industrial or commercial purposes
5 Year – Woodworking Machinery
Limited Lifetime – JET Parallel clamps; VOLT Series Electric Hoists; Manual Hoists; Manual Hoist Accessories; Shop Tools; Warehouse & Dock products; Hand Tools; Air Tools

NOTE: JET is a division of JPW Industries, Inc. References in this document to JET also apply to JPW Industries, Inc., or any of its successors in interest to the JET brand.

This page intentionally left blank.



427 New Sanford Road  
LaVergne, Tennessee 37086  
Phone: 800-274-6848  
[www.jettools.com](http://www.jettools.com)