



# Operating Instructions and Parts Manual 3HP Mobile Cyclone Dust Collector

Model JCDC-3



**JET**  
427 New Sanford Road  
LaVergne, Tennessee 37086  
Ph.: 800-274-6848  
[www.jettools.com](http://www.jettools.com)

**Part No. M-717530**  
Edition 4 09/2018  
Copyright © 2017 JET



## 1.0 IMPORTANT SAFETY INSTRUCTIONS

When using an electrical appliance, basic precautions should always be followed, including the following:

READ ALL INSTRUCTIONS BEFORE USING THIS DUST COLLECTOR.

### **WARNING – To reduce the risk of fire, electric shock, or injury:**

1. Read and understand entire owner's manual before attempting assembly or operation.
2. Read and understand the warnings posted on the machine and in this manual.
3. Replace warning labels if they become obscured or removed.
4. This dust collector is designed and intended for use by properly trained and experienced personnel only. If you are not familiar with the proper and safe operation of a dust collector, do not use until proper training and knowledge have been obtained.
5. Do not use this dust collector for other than its intended use. If used for other purposes, JET disclaims any real or implied warranty and holds itself harmless from any injury that may result from that use.
6. Always wear approved safety glasses/face shield while using this dust collector. Everyday eyeglasses only have impact resistant lenses; they are not safety glasses.
7. Keep hair, loose clothing, fingers, and all parts of body away from openings and moving parts.
8. Wear hearing protection (plugs or muffs) during extended periods of operation.
9. Do not operate this machine while tired or under the influence of drugs, alcohol or any medication.
10. Make certain the switch is in the **OFF** position before connecting the machine to the power supply. Turn off all controls before unplugging.
11. Make certain the machine is properly grounded. Connect to a properly grounded outlet only. See Grounding Instructions.
12. Make all machine adjustments or maintenance with the machine unplugged from the power source.
13. Remove adjusting keys and wrenches. Form a habit of checking to see that keys and adjusting wrenches are removed from the machine before turning it on.
14. Keep safety guards in place at all times when the machine is in use. If removed for maintenance purposes, use extreme caution and replace the guards immediately after maintenance is complete.
15. Check damaged parts. Before further use of the machine, a guard or other part that is damaged should be carefully checked to determine that it will operate properly and perform its intended function. Check for alignment of moving parts, binding of moving parts, breakage of parts, mounting and any other conditions that may affect its operation. A guard or other part that is damaged should be properly repaired or replaced.
16. Provide for adequate space surrounding work area and non-glare, overhead lighting.
17. Keep the floor around the machine clean and free of scrap material, oil and grease.
18. Keep visitors a safe distance from the work area. **Keep children away.**
19. Make your workshop child proof with padlocks, master switches or by removing starter keys.
20. Give your work undivided attention. Looking around, carrying on a conversation and "horse-play" are careless acts that can result in serious injury.
21. The dust collector is intended for indoor use. To reduce the risk of electric shock, do not use outdoors or on wet surfaces.
22. Do not use this dust collector for anything except wood dust. Materials such as liquids, metal shavings, metal dust, screws, glass, plastic or rock can cause sparks and/or damage when coming into contact with any part of the dust collector.
23. Do not use to pick up anything that is burning or smoking, such as cigarettes, matches or hot ashes.
24. Do not use to pick up flammable or combustible liquids such as gasoline, or use in areas where they may be present.
25. Do not pull or carry by cord, use cord as a handle, close a door on cord, or pull cord around sharp edges or corners. Do not run dust collector over cord. Keep cord away from heated surfaces.
26. Do not use this dust collector with a damaged cord or plug. If the unit is not working as it should, has been dropped, damaged, left outdoors, or dropped into water, return it to a service center.

27. Do not unplug by pulling on cord. To unplug, grasp the plug, not the cord.
28. Do not use without dust bag and/or filters in place.
29. Do not handle plug or machine with wet hands.
30. Do not put any objects into the openings. Do not use with any opening blocked; keep free of dust, lint, hair, and anything that may reduce air flow.
31. Do not operate without hose connected to the inlet. Place cap on unused inlet port. Hazardous moving parts inside. Unplug before removing or connecting inlet or inlet guard.
32. Use recommended accessories; improper accessories may be hazardous.
33. Maintain tools with care. Follow instructions for lubricating and changing accessories.
34. Turn off machine and disconnect from power before cleaning. Use a brush or compressed air to remove chips or debris; do not use bare hands.
35. Do not leave the machine when it is plugged in. Unplug from outlet when not in use and before servicing.

36. Do not stand on the machine. Serious injury could occur if the machine tips over.
37. The dust collector is intended for household use.

**⚠ WARNING:** This product can expose you to chemicals including lead and cadmium which are known to the State of California to cause cancer and birth defects or other reproductive harm, and phthalates which are known to the State of California to cause birth defects or other reproductive harm. For more information go to <http://www.p65warnings.ca.gov>.

**⚠ WARNING:** Drilling, sawing, sanding or machining wood products generates wood dust and other substances known to the State of California to cause cancer. Avoid inhaling dust generated from wood products or use a dust mask or other safeguards for personal protection.

Wood products emit chemicals known to the State of California to cause birth defects or other reproductive harm. For more information go to <http://www.p65warnings.ca.gov/wood>.

**Familiarize yourself with the following safety notices used in this manual:**



This means that if precautions are not heeded, it may result in minor injury and/or possible machine damage.



This means that if precautions are not heeded, it may result in serious, or possibly even fatal, injury.

**SAVE THESE INSTRUCTIONS**

**2.0 About this manual**

This manual is provided by JET, covering the safe operation and maintenance procedures for a JET Model JCDC-3 Cyclone Dust Collector. This manual contains instructions on installation, safety precautions, general operating procedures, maintenance instructions and parts breakdown. Your machine has been designed and constructed to provide consistent, long-term operation if used in accordance with the instructions as set forth in this document.

This manual is not intended to be an exhaustive guide to dust removal strategies, installation of shop duct work, or the use of optional dust collection accessories. Additional knowledge may be obtained from experienced users or trade articles. Whatever accepted methods are used, always make personal safety a priority.

If there are questions or comments about this product, please contact your local supplier or JET. JET can also be reached at our web site: [www.jettools.com](http://www.jettools.com).

Retain this manual for future reference. If the machine transfers ownership, the manual should accompany it.

# 3.0 Table of contents

Section	Page
1.0 IMPORTANT SAFETY INSTRUCTIONS .....	2
2.0 About this manual .....	3
3.0 Table of contents.....	4
4.0 Specifications .....	5
5.0 Setup and assembly.....	7
5.1 Unpacking and cleanup.....	7
5.2 Shipping contents – JCDC-3.....	7
5.3 Tools required for assembly .....	8
5.4 Assembly.....	8
6.0 Electrical connections .....	10
6.1 GROUNDING INSTRUCTIONS .....	10
6.2 Extension cords.....	11
7.0 Operations.....	11
7.1 Start/stop .....	11
7.2 Remote controller .....	11
7.3 Dust hose connection.....	12
8.0 User-maintenance.....	12
8.1 Thermal overload reset .....	12
8.2 Cleaning and bag inspection .....	12
8.3 Motor inspection .....	12
8.4 Additional servicing .....	12
9.0 Optional accessories.....	13
10.0 Troubleshooting the JCDC-3.....	13
10.1 Electrical and motor problems.....	13
10.2 Performance problems .....	14
11.0 Replacement Parts.....	14
11.1.1 JCDC-3 Cyclone Dust Collector – Exploded View .....	15
11.1.2 JCDC-3 Cyclone Dust Collector – Parts List.....	16
12.0 Electrical Connections – JCDC-3.....	18
13.0 Warranty and service .....	19



Collection bags:

Bag material.....polyethylene  
Drum collection bag size (Dia. x L) .....38-9/16 x 47-1/4 (980 x 1200 mm)  
Canister collection bag size (Dia. x L) ..... 19-11/16 x 23-5/8 in. (500 x 600 mm)

Main materials:

Frame .....steel tubing  
Body..... 18 ga. steel  
Paint finish ..... powder coat

Dimensions:

Footprint/base dimensions (L x W) ..... 57 x 30-7/16 in. (1450 x 772 mm)  
Height from floor to inlet port center .....55-1/8 in. (1400 mm)  
Overall dimensions, assembled (L x W x H) ..... 30-7/16 x 57 x 88 in. (772 x 1450 x 2235 mm)  
Overall dimensions, shipping carton (L x W x H)..... 54-3/4 x 30-1/8 x 38-9/16 in. (1390 x 765 x 980 mm)

Weights (approximate):

Net weight, full kit assembled ..... 242 lb. (110 kg)  
Net weight, (base machine only) ..... 220 lb. (100 kg)  
Net weight, (canister filter only) ..... 22 lb. (10 kg)  
Shipping weight (base machine only) ..... 268 lb. (122 kg)  
Shipping weight (canister filter only) ..... 33 lb. (15 kg)

The specifications in this manual were current at time of publication, but because of our policy of continuous improvement, JET reserves the right to change specifications at any time and without prior notice, without incurring obligations.

**WARNING**

Read and understand the entire contents of this manual before attempting assembly or operation. Failure to comply may cause serious injury.

## 5.0 Setup and assembly

### 5.1 Unpacking and cleanup

Remove all contents from shipping carton and compare to the contents list in this manual. If shipping damage or any part shortages are identified, contact your distributor. Do not discard carton or packing material until dust collector is assembled and running satisfactorily.

### 5.2 Shipping contents – JCDC-3

#### Carton #1 (see Figure 1)

- 1 Main housing – A
- 1 Funnel – B
- 1 Base – C
- 1 Left stand – D<sub>1</sub>
- 1 Right stand – D<sub>2</sub>
- 1 Drum – F
- 1 Funnel clamp – G
- 1 Drum lid – H
- 1 Inlet adaptor – I
- 1 Hose – J
- 2 Hose clamp 12-1/2in. – K
- 4 Casters (for Base) – L
- 4 Casters (for Drum) – M
- 2 Side cap – N
- 1 Collection bag for drum – Q
- 1 Quick lever – R
- 1 Bag frame – S  
(4 long supports, 4 short supports, 3 hoops)
- 1 Stand support – T
- 1 Foam tape, 490 mm – U
- 2 Foam tape, 970 mm – V
- 1 Gasket – X
- 1 Remote controller with batteries (not shown)

#### Carton #2 (see Figure 1)

- 1 Canister filter (with bag clamp) – E
- 1 Handle – O
- 1 Collection bag for canister – P
- 1 Foam tape, 1265 mm – W

#### Hardware package (p/n JCDC3-HP) (Figure 2)

- 1 Phillips pan head screw, 3/16x3/8 – HP1
- 22 Flange head screw, 5/16x1/2 – HP2
- 8 Phillips pan head screw, M5x8 – HP3
- 2 Phillips pan head screw, 1/4x1/2 – HP4
- 4 Flange head screw, 1/4x1/2 – HP5
- 1 Open-end wrench, 10/12mm – HP6
- 1 Hex wrench 4mm – HP7
- 1 Hex wrench 5mm – HP8
- 12 Flange head screw, 5/16x3/4 – HP9
- 6 Nut, 5/16 – HP10
- 24 Phillips pan head screw, M3x12 – HP11
- 24 Hex nut M3 – HP12

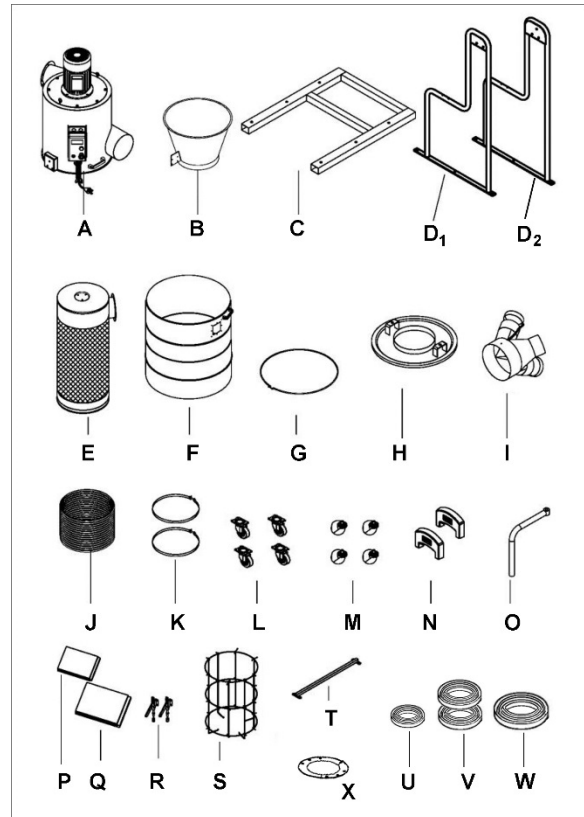


Figure 1: Carton #1 and #2 contents (not to scale)

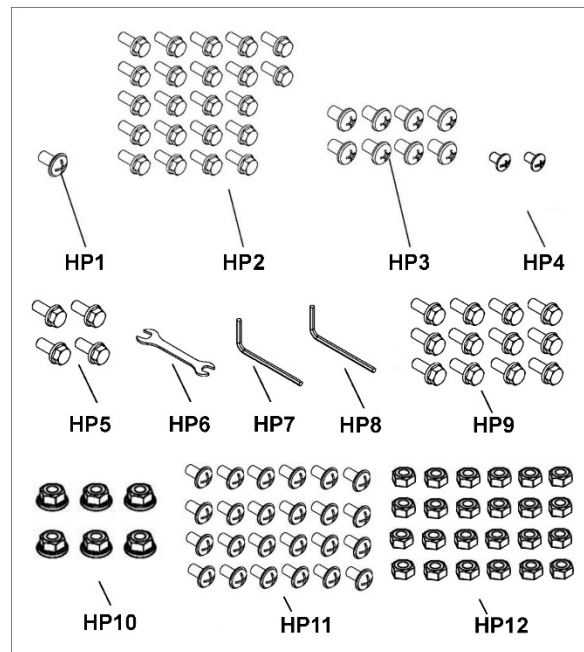


Figure 2: hardware package contents (not to scale)

### 5.3 Tools required for assembly

Hex keys, 4mm and 5mm (provided)  
Open-end wrench, 10/12mm (provided)  
Cross-point (Phillips) screwdriver

### 5.4 Assembly

1. Install four casters (L) to base (C) with pan head screws (HP2). See Figure 3.
2. Install left and right stands (D<sub>1</sub>, D<sub>2</sub>) to base (C) with flange head screws (HP9).
3. Install stand support (T) to stands with flange head screws (HP4).

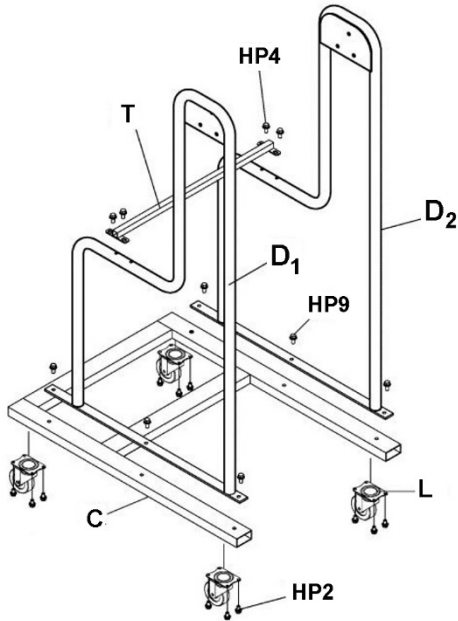


Figure 3

4. Install four casters (M) into the threaded nuts beneath drum (F). See Figure 4.

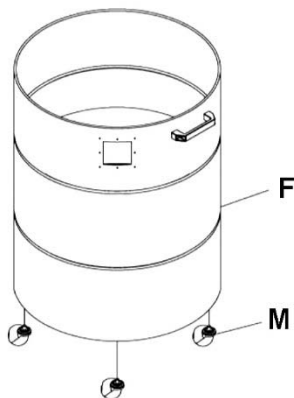


Figure 4

5. Lift main housing (A) using hoist with straps through lifting rings atop main housing. If hoist is not available, at least **2 persons** must lift housing.



**CAUTION** Main housing is heavy.  
Two-person lift, or use hoist.

6. Position main housing (A) between left and right stands (D<sub>1</sub>, D<sub>2</sub>), and secure with flange head screws (HP2). See Figure 5.

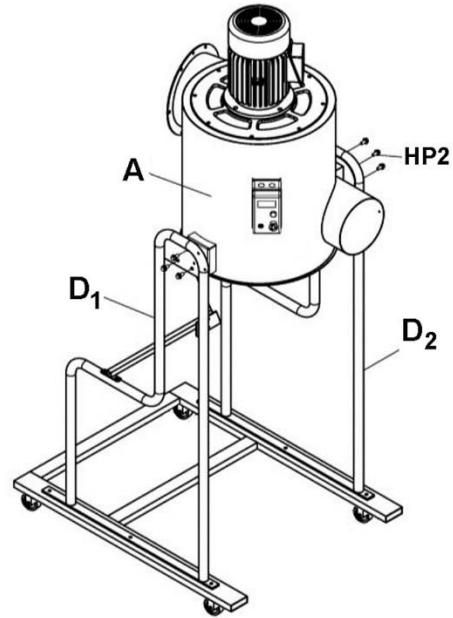


Figure 5

7. Install funnel (B) beneath main housing. Secure with funnel clamp (G). See Figure 6. Tighten screw on funnel clamp securely.

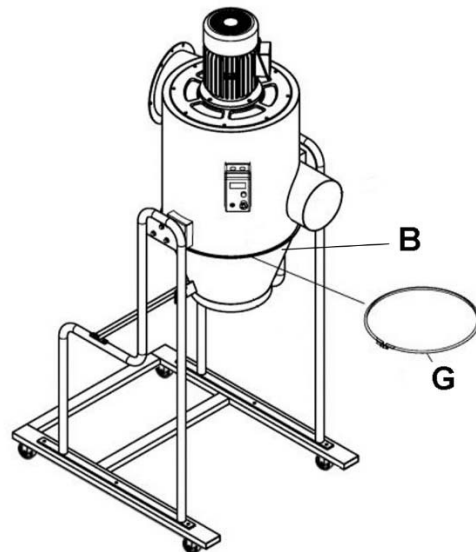


Figure 6

8. Install side cover (N) on left and right stands. See Figure 7.



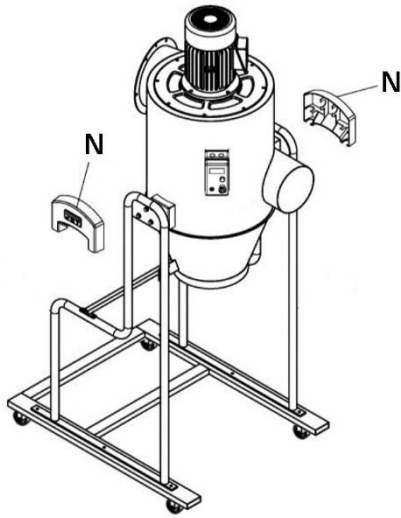


Figure 7

9. Install handle assembly (O) to canister filter (E) using set screw and nut. See Figure 8.

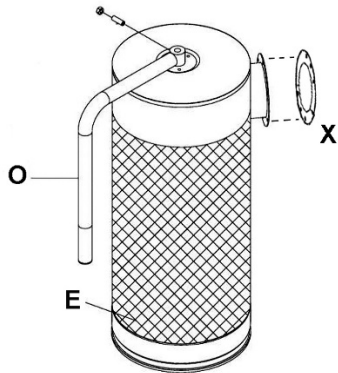


Figure 8

10. Place gasket (X) between canister filter and main housing. Install canister filter onto main housing, and tighten with flange head screws (HP9) and nuts (HP10). See Figure 9.

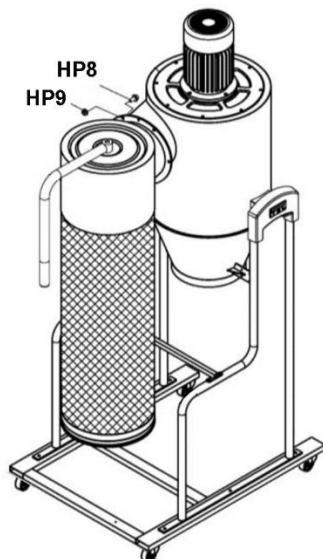


Figure 9

11. Apply foam tape (U) around inlet port near edge. See Figure 10. The foam tape should completely encircle the port.
12. Install inlet adaptor (I) on main housing and secure with pan head screw (HP1).
13. Apply foam tape (W) just above lower lip of canister filter. The foam tape should completely encircle the canister filter.
14. Install collection bag (P) to bottom of canister filter and secure with steel bag clamp (X). Note: Masking tape can be used to hold bag in position on canister until clamp is secured.

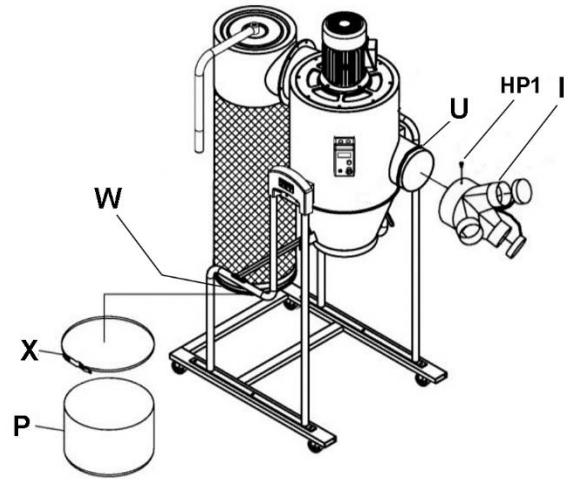


Figure 10

15. Apply foam tape (V) around funnel just above its bottom edge. See Figure 11. The foam tape should completely encircle the funnel.
16. Apply foam tape (V) around outside lip of drum opening. The foam should completely encircle the lip.

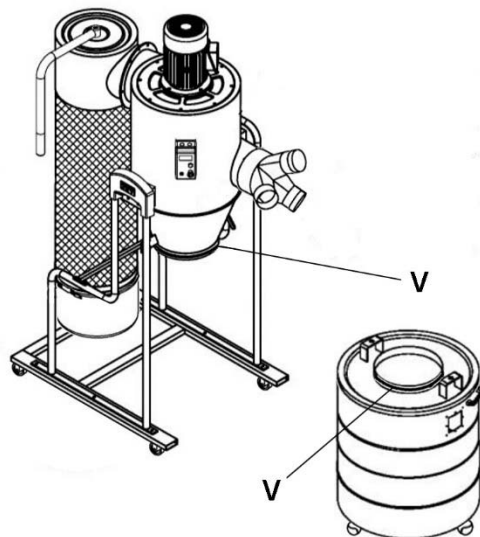


Figure 11

17. Install quick levers into threaded holes on cone flanges, using screws (HP3). See Figure 12.
18. Install hose (J) onto cone and drum lid and secure with two hose clamps (K) at top and bottom. See Figure 12.

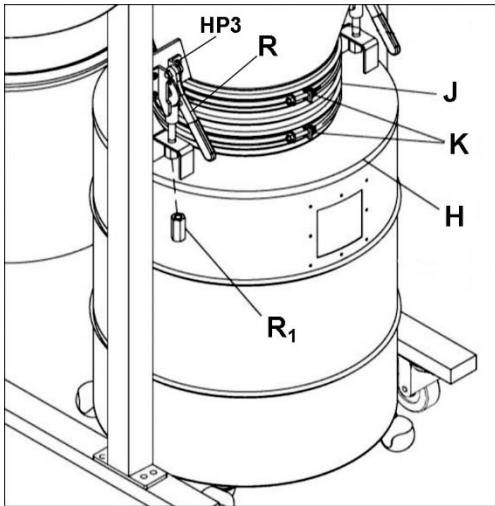


Figure 12

The bag frame maintains the shape of the bag in the negative-pressure environment of the cyclone drum. Assemble bag frame as follows:

19. Screw the short and long frame supports into the hoops in alternating manner, as shown in Figure 13. Secure with 24 pan head screws and hex nuts (HP11,HP12). (Note: The bends on long supports point inward as shown.)

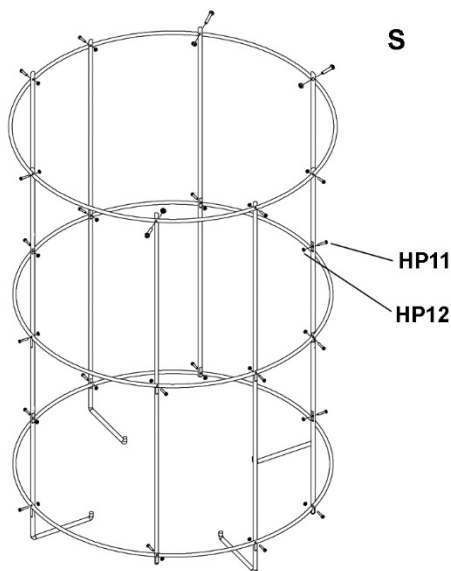


Figure 13

20. Place drum collection bag (Q) into drum with its top edge wrapped around top edge of drum. Place bag frame (S) inside bag and press all the way down. See Figure 14.
21. Pull down both quick levers (R, Figure 12) then assemble drum lid (H, Figure 12) to quick

levers. Tighten long nut (R<sub>1</sub>, Figure 12) onto each quick lever.

22. Raise drum lid using quick levers, and position drum beneath lid. Lower quick levers to secure lid upon drum.

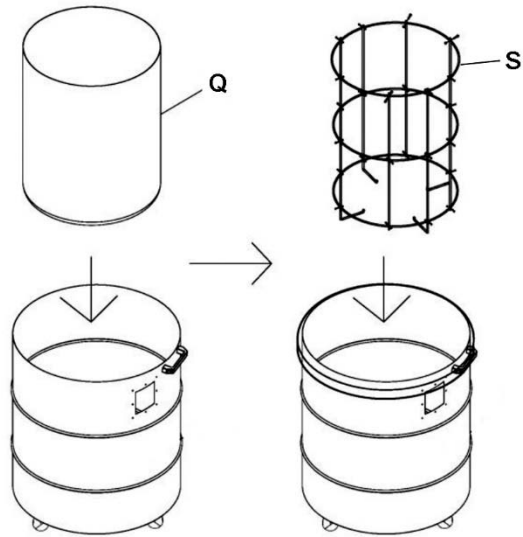


Figure 14

## 6.0 Electrical connections

**WARNING** All electrical connections must be done by a qualified electrician in compliance with all local codes and ordinances. Failure to comply may result in serious injury.

The JCDC-3 Dust Collector is rated at 230-volt power only. The dust collector comes with a plug designed for use on a circuit with a *grounded outlet* that looks like the one pictured in Figure 15.

Keep in mind that a circuit being used by other machines, tools, lights, heaters, etc. at the same time will add to the electrical load. A dedicated circuit to the dust collector will offer best results since dust collectors are generally used while other tools are running.

Before connecting to power source, be sure switch is in *off* position.

It is recommended that the dust collector be connected to a dedicated 20 amp circuit with circuit breaker or fuse. If connected to a circuit protected by fuse, use time delay fuse marked "D". **Local codes take precedence over recommendations.**

### 6.1 GROUNDING INSTRUCTIONS

This appliance must be grounded. If it should malfunction or breakdown, grounding provides a path of least resistance for electric current to reduce the risk of electric shock. This appliance is equipped with a cord having an equipment-grounding conductor and grounding plug.

The plug must be inserted into an appropriate outlet that is properly installed and grounded in accordance with all local codes and ordinances.

**⚠WARNING** Improper connection of the equipment-grounding conductor can result in a risk of electric shock. Check with a qualified electrician or service person if you are in doubt as to whether the outlet is properly grounded. Do not modify the plug provided with the appliance – if it will not fit the outlet, have a proper outlet installed by a qualified electrician.

The conductor with insulation having an outer surface that is green with or without yellow stripes is the equipment-grounding conductor. If repair or replacement of the electric cord or plug is necessary, do not connect the equipment-grounding conductor to a live terminal.

Use only 3-wire extension cords that have 3-prong grounding plugs and 3-pole receptacles that accept the tool's plug.

Repair or replace damaged or worn cord immediately.

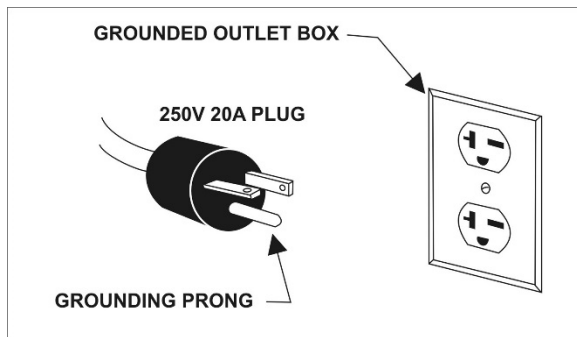


Figure 15

This appliance is intended for use on a circuit having a nominal rating more than 120 V and is factory-equipped with a specific electric cord and plug to permit connection to a proper electric circuit. Make sure that the appliance is connected to an outlet having the same configuration as the plug. No adapter should be used with this appliance. If the appliance must be reconnected for use on a different type of electric circuit, the reconnection should be made by qualified service personnel; and after reconnection, the appliance should comply with all local codes and ordinances.

## 6.2 Extension cords

The use of extension cords is discouraged; try to position machines near the power source. If an extension cord is necessary, make sure it is in good condition. When using an extension cord, be sure to use one heavy enough to carry the current your product will draw. An undersized cord will cause a drop in line voltage resulting in loss of power and overheating. Table 1 shows correct size to use depending on cord length and nameplate ampere

rating. If in doubt, use the next heavier gauge. The smaller the gauge number, the heavier the cord.

Ampere Rating		Volts	Total length of cord in feet			
			25	50	100	150
More Than	Not More Than	120	25	50	100	150
		240	50	100	200	300
			AWG			
0	6		18	16	16	14
6	10		18	16	14	12
10	12		16	16	14	12
12	16		14	12	Not Recommended	

Table 1: Extension cord recommendations

## 7.0 Operations

### 7.1 Start/stop

Press green start button (A, Figure 16) to start dust collector. Press red stop button (B) to stop.

The stop button (B) remains engaged after being pushed. To restart dust collector, rotate stop button clockwise to disengage.

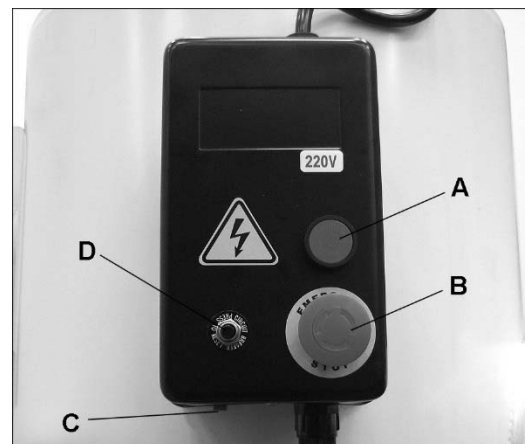


Figure 16

### 7.2 Remote controller

The RF (radio frequency) remote controller operates on 2 AAA batteries (included). The batteries will need replacing periodically. The remote controller has an effective range up to approximately 50 feet (15 meters).

Press the + or – button to select desired timer setting: 2, 4, 6 or 8 hours. The dust collector will stop automatically at end of selected period. For continuous operation (no timer) select infinity (∞) position.



Figure 17

### 7.2.1 Remote controller reset

If the remote controller begins to function improperly, it should be cleared and reset.

To clear the remote controller, press and hold reset button (C, Figure 16) for 3 seconds until receiver “beeps” 3 times.

To reset the controller:

1. Press reset button (C, Figure 16) for 1 second until receiver “beeps” once.
2. Press and hold “ON” button on the remote controller until receiver “beeps” twice. (If you are using multiple remotes, perform step 2 on each remote before proceeding.)
3. Press and hold reset button (C) for 3 seconds until receiver “beeps” 3 times.

The remote controller is now ready.

### 7.3 Dust hose connection

Use proper type hose to connect dust collector to machine(s) being operated. *Dryer vent hose is not acceptable for this purpose.* Secure hose at both ends with proper clamps.

**If an inlet port is not being used, it should remain capped.** An open port will diminish the machine’s efficiency, and may create a safety hazard.

Contact your nearest JET distributor for a line of Dust Collector hoses and accessories. You can customize your installation and obtain maximum performance with dust hoods, hoses, clamps, fittings, and blast gates.

## 8.0 User-maintenance

**WARNING** Turn OFF dust collector and remove plug from power source before performing any adjustments or maintenance. Failure to comply may result in serious injury.

### 8.1 Thermal overload reset

The switch box contains overload protection to help prevent damage to the motor. The relay will open the circuit (shut off the dust collector) if the motor is drawing excessive current during extended periods of operation.

If the overload is tripped, allow the machine to cool down for several minutes. Then press reset button (D, Figure 16) and restart the dust collector.

### 8.2 Cleaning and bag inspection

Clean canister filter frequently to keep the collector’s performance at its optimum. To clean filter, turn handle a couple of rotations so dust falls into attached collection bag.

Empty or replace canister and drum collection bags when full.

### 8.3 Motor inspection

Make frequent inspections of motor fan, and blow out (with low pressure air hose) or vacuum any accumulation of foreign material to maintain normal motor ventilation.

### 8.4 Additional servicing

No lubrication is required for the dust collector.

Any other servicing should be performed by an authorized service representative.

## 9.0 Optional accessories

Part no.	Description
717511	Canister collection bag for JCDC (package of 5)
717531	Drum collection bag for JCDC-3 (package of 5)

Table 2

## 10.0 Troubleshooting the JCDC-3

### 10.1 Electrical and motor problems

Symptom	Possible Cause	Correction*
Motor will not start.	No incoming current.	Check connections at plug or circuit panel.
	Safety key missing from switch.	Install safety key.
	Low voltage.	Check power line for proper voltage.
	Open circuit in motor or loose connection.	Inspect all connections to switch box and motor for loose or open connections.
	Faulty start switch.	Inspect and replace switch if needed.
	Faulty start capacitor.	Replace capacitor.
	Faulty motor.	Inspect and replace motor if needed.
Motor will not start: fuse blows or circuit breaker trips.	Too many machines on shared circuit.	Connect dust collector to dedicated circuit.
	Short circuit in line cord or plug.	Inspect cord or plug for damaged insulation and shorted wires.
	Short circuit in motor or loose connections.	Inspect all connections on motor for loose or shorted terminals or worn insulation.
	Incorrect fuse or circuit breaker in power line.	Install correct fuse or circuit breaker at power source.
Motor overheats.	Motor overloaded.	Reduce load on motor.
	Air circulation through motor is restricted.	Clean motor fan with compressed air to restore normal air circulation.
Motor stalls, resulting in blown fuses or tripped circuit.	Motor overloaded.	Reduce load on motor.
	Short circuit in motor or loose connections.	Inspect connections on motor for loose or shorted terminals or worn insulation.
	Low voltage.	Correct low voltage conditions.
	Incorrect fuse or circuit breaker in power line.	Install correct fuse or circuit breaker.
Loud noise or vibrations coming from machine.	Loose fasteners.	Inspect machine and tighten all fasteners.
	Motor fan is hitting the cover.	Tighten fan or shim cover. Replace fan cover if damaged.
	Impeller is damaged.	Replace impeller.
Remote controller fails to activate machine.	Stop button still engaged.	Disengage stop button.
	Batteries drained.	Replace batteries.
	Remote needs resetting.	Follow instructions for clearing and resetting.

\* **WARNING:** Some corrections may require a qualified electrician.

## 10.2 Performance problems

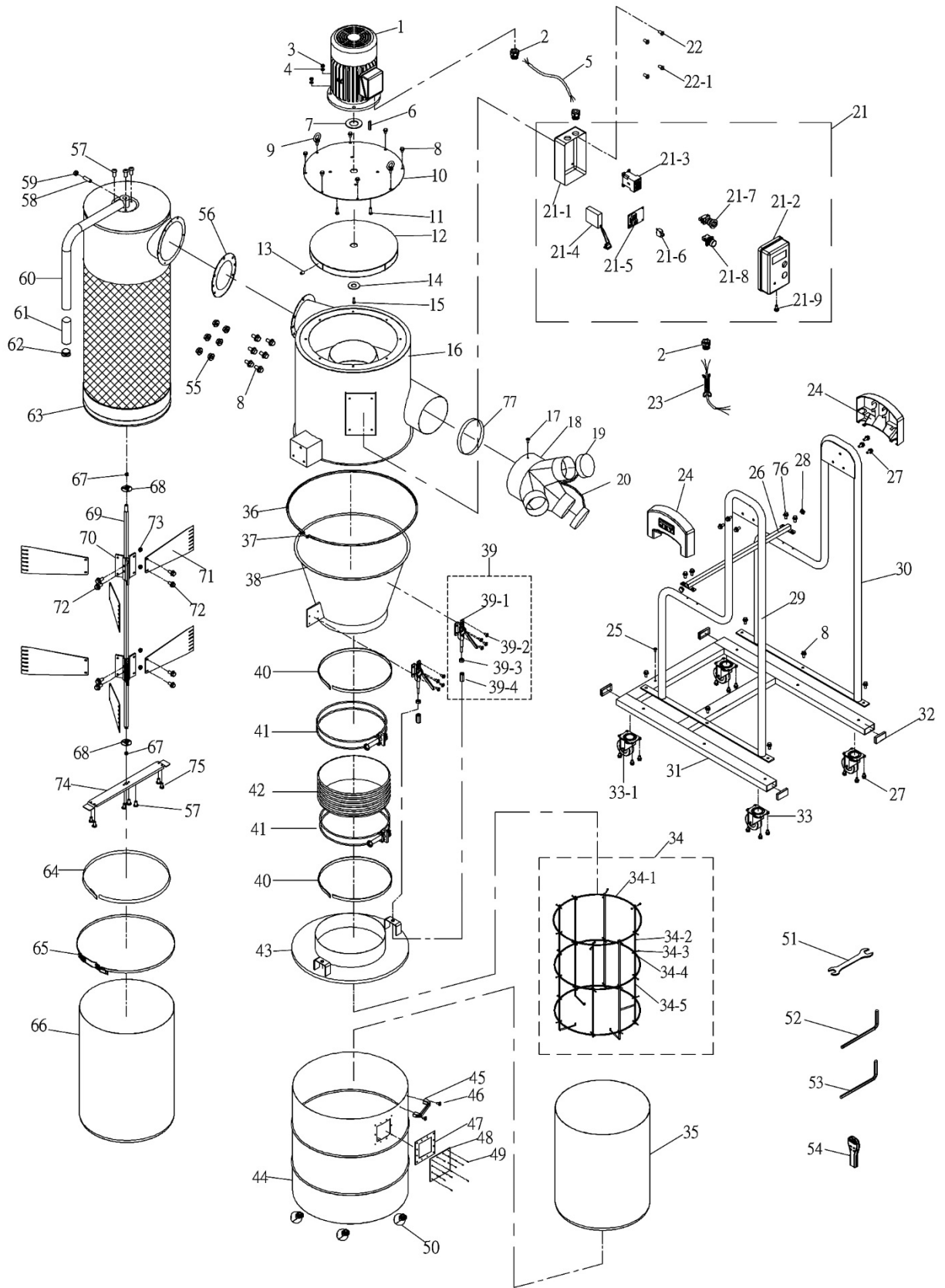
Symptom	Possible Cause	Correction
Poor performance; lack of suction.	Hose improperly secured at dust origination point.	Inspect and remedy.
	Inlet port is open.	Cap unused inlet ports.
	Collection bag is full.	Empty bag (check sight window).
	Collection drum not sealed properly.	Inspect drum for leaks, make sure lid is tight.
	Canister filter is dirty.	Clean filter.
	Wood has excess moisture content.	Use lumber with lower moisture content.
	Obstruction in dust hose or inlet port.	Inspect and clear obstruction.
	Dust hose too long.	Move collector closer to dust source.
Excess dust or large chips backing up into canister filter.	Collection drum not sealed properly.	Inspect drum for leaks, make sure lid is tight.
	Collection bag full.	Empty bag (check sight window).

## 11.0 Replacement Parts

Replacement parts are listed on the following pages. To order parts or reach our service department, call 1-800-274-6848 Monday through Friday, 8:00 a.m. to 5:00 p.m. CST. Having the Model Number and Serial Number of your machine available when you call will allow us to serve you quickly and accurately.

Non-proprietary parts, such as fasteners, can be found at local hardware stores, or may be ordered from JET. Some parts are shown for reference only, and may not be available individually.

### 11.1.1 JCDC-3 Cyclone Dust Collector – Exploded View



## 11.1.2 JCDC-3 Cyclone Dust Collector – Parts List

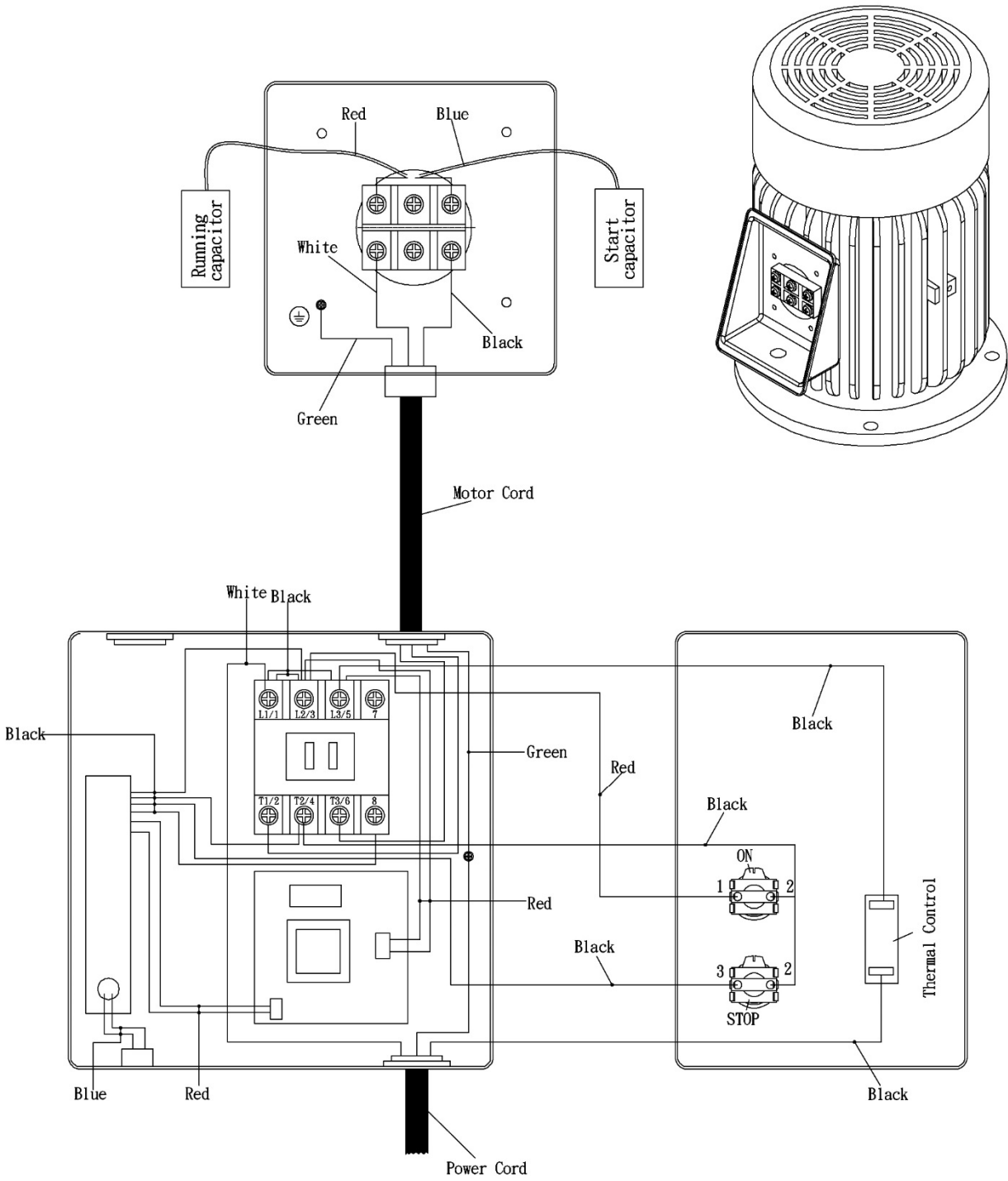
Index No	Part No	Description	Size	Qty
1	JCDC3-01	Motor	3HP, 230V	1
	JCDC3-01SC	Start Capacitor (not shown)	500MFD, 125VAC	1
	JCDC3-01RC	Running Capacitor (not shown)	40uF, 300V	1
	JCDC1.5-01FC	Fan Cover (not shown)		1
	JCDC1.5-01CF	Cooling Fan (not shown)		1
	JCDC3-01CS	Centrifugal Switch (not shown)		1
2	JCDC1.5-02	Strain Relief	M20-13B/PG20	3
3	TS-0570021	Hex Nut	5/16"	4
4	TS-0720081	Lock Washer	5/16"	4
5	JCDC3-05	Motor Cord	12AWG x 3C	1
6	JCDC2-06	Key	7 x 7 x 25	1
7	JCDC2-07	Rubber Seal		1
8	JCDC1.5-07	Hex Flange Head Screw	5/16" x 3/4"	18
9	JCDC1.5-08	Eye Bolt	5/16"	2
10	JCDC3-10	Motor Plate		1
11	TS-0051051	Hex Cap Screw	5/16" x 1"	4
12	JCDC3-12	Impeller	Dia. 15"	1
13	TS-0271071	Socket Set Screw	3/8" x 3/4"	1
14	JCDC1.5-14	Lock Washer	Exclusive	1
15	JCDC1.5-15	Socket Head Cap Screw (Left Thread)	M6 x 20	1
16	JCDC3-16	Intake Barrel		1
17	5513357	Mach Screw, Pan HD, Phillips	3/16" x 3/8"	1
18A	JCDC3-18A	Inlet Adaptor Assembly (Index #18,19,20)		1
18	JCDC3-18	Inlet Adaptor	8" x (3) 4"	1
19	JCDC1.5-20	Inlet Adaptor Cap	4"	2
20	JCDC1.5-19	Chain		1
21	JCDC3-21	Switch Assembly (Index # 21-1 thru 21-9)		1
21-1	JCDC2-21-1	Switch Box – Lower Cover		1
21-2	JCDC2-21-2	Switch Box – Upper Cover		1
21-3	JCDC2-21-3	Contacto	MA-09	1
21-4	JCDC2-21-4	Remote Control Receiver		1
21-5	JCDC2-21-5	Circuit Board		1
21-6	JCDC3-21-6	Overload Protector	28A	1
21-7	JCDC2-21-7	Push Button Switch - Start	Green	1
21-8	JCDC2-21-8	Emergency Stop Switch		1
21-9	5711571	Mach Screw, Pan HD, Phillips	3/16" x 1/4"	1
22	JCDC2-22	Mach Screw, Pan HD, Phillips w/ Flange	3/16" x 3/8"	2
22-1	5513357	Mach Screw, Pan HD, Phillips	3/16" x 3/8"	2
23	JCDC3-23	Power Cord w/ 6-20P plug	12AWG x 3C	1
24	JCDC2-24	Side Cap		2
25	5711571	Mach Screw, Pan HD, Phillips	3/16" x 1/4"	1
26	JCDC3-26	Connecting Square Tube	19 x 19 x 735	1
27	JCDC1.5-25	Hex Flange Head Screw	5/16" x 1/2"	22
28	JCDC1.5-24	Tube Plug	19 x 19	2
29	JCDC3-29	Stand - Left		1
30	JCDC3-30	Stand - Right		1
31	JCDC3-31	Base		1
32	JCDC3-32	Tube Plug	75 x 25	4
33	JCDC3-33	Swivel Caster	Dia. 3"	2
33-1	JCDC3-33-1	Swivel Caster w/ Brake	Dia. 3"	2
34	JCDC3-34	Bag Frame Kit (Index # 34-1 thru # 34-5)		1
34-1	JCDC3-34-1	Hoop	6T	3
34-2	JCDC3-34-2	Bag Frame Support - Long	7mm	4
34-3	TS-1540011	Hex Nut	M3	24
34-4	JWL1221VS-314	Mach Screw, Pan HD, Phillips	M3 x 12	24
34-5	JCDC3-34-5	Bag Frame Support -Short	7mm	4
35	717531	Drum Collection Bag for JCDC-3 (pkg. of 5)	980 x 1200 /mm	1
36	JCDC2-35	Clamp	Dia. 500 mm	1
37	TS-0050111	Hex Cap Screw	1/4" x 2-1/2"	1
38	JCDC2-37	Cyclone Funnel		1



Index No	Part No	Description	Size	Qty
39	JCDC1.5-36	Quick Lever Assembly (Index # 39-1 thru # 39-4)		2
39-1	JCDC1.5-36-1	Quick Lever		2
39-2	5712561	Mach Screw, Pan HD, Phillips	M5 x 8	8
39-3	TS-0570031	Hex Nut	3/8"	2
39-4	JCDC1.5-36-4	Long Nut	3/8"	2
40	JCDC2-39	Foam Tape	L970 x W30 x T1 /mm	2
41	JCDC2-40	Hose Clamp	12-1/2"	2
42	JCDC2-41	Hose	Dia.12"	1
43	JCDC3-43	Collection Drum Lid		1
44A	JCDC3-44A	Collection Drum Assembly (#44 thru 50)		1
44	JCDC3-44	Collection Drum		1
45	JCDC1.5-42	Handle		1
46	TS-081F031	Mach Screw, Flat HD, Phillips	1/4" x 1/2"	2
47	JCDC1.5-44	Rubber Pad		1
48	JCDC1.5-45	PC Plate		1
49	JCDC1.5-46	Rivet	4-2	12
50	JCDC2-49	Swivel Caster	Dia. 2"	4
51	SWSS3-201	Open End Wrench	10-12 mm	1
52	TS-152705	Hex Wrench	4mm	1
53	TS-152706	Hex Wrench	5mm	1
54	JCDC2-53	Remote Control Transmitter	RF	1
		Battery (not shown)	AAA, 1.5V	2
55	TS-0561021	Hex Nut	5/16"	6
56	JCDC3-56	Gasket		1
57	JCDC1.5-52	Socket HD Button Screw	M5 x 6	6
58	TS-0270071	Socket Set Screw	5/16" x 3/4"	1
59	TS-0561021	Hex Nut	5/16"	1
60A	JCDC1.5-55A	Handle Assembly (#60,61,62)		1
60	JCDC1.5-55	Handle		1
61	JCDC1.5-56	Grip		1
62	JCDC1.5-57	Pipe Plug		1
63	JCDC3-63	Canister Filter		1
64	JCDC1.5-59	Foam Tape	L1265 x W20 x T3 /mm	1
65	JCDC1.5-60	Clamp		1
66	717511	Canister Collection Bag for JCDC (pkg. of 5)	600 x 500 /mm	1
67	JCDC1.5-62	Oil-retaining Bearing		2
68	JCDC1.5-63	Bearing Cover		2
69	JCDC3-69	Shaft		1
70	JCDC1.5-65	Fixing Block		2
71A	JCDC3-71A	Scraper Assembly (#56,67 thru 75)		1
71	JCDC1.5-66	Scraper		6
72	TS-1481031	Hex Cap Screw	M5 x 12	16
73	TS-1540031	Hex Nut	M5	12
74	JCDC1.5-69	Support Plate		1
75	5712561	Mach Screw, Pan HD, Phillips	M5 x 8	4
76	JCDC1.5-71	Hex Flange Head Screw	1/4" x 1/2"	4
77	JCDC3-77	Foam Tape	L640 x W30 x T1 /mm	1
75	LM000057-3	ID Label		1
76	LM000058-3	Motor Label		1
77	LM000059	Rotation Label		1
78	LM000068	Caution Label – Do not step		1
79	LM000067	Warning Label		1
	JCDC3-HP	Hardware Package (see sect. 5.2 for contents)		

Some parts are listed for reference only and may not be available individually.

# 12.0 Electrical Connections – JCDC-3



## 13.0 Warranty and service

JET warrants every product it sells against manufacturers' defects. If one of our tools needs service or repair, please contact Technical Service by calling 1-800-274-6846, 8AM to 5PM CST, Monday through Friday.

### Warranty Period

The general warranty lasts for the time period specified in the literature included with your product or on the official JET branded website.

- JET products carry a limited warranty which varies in duration based upon the product. (See chart below)
- Accessories carry a limited warranty of one year from the date of receipt.
- Consumable items are defined as expendable parts or accessories expected to become inoperable within a reasonable amount of use and are covered by a 90 day limited warranty against manufacturer's defects.

### Who is Covered

This warranty covers only the initial purchaser of the product from the date of delivery.

### What is Covered

This warranty covers any defects in workmanship or materials subject to the limitations stated below. This warranty does not cover failures due directly or indirectly to misuse, abuse, negligence or accidents, normal wear-and-tear, improper repair, alterations or lack of maintenance. JET woodworking machinery is designed to be used with Wood. Use of these machines in the processing of metal, plastics, or other materials outside recommended guidelines may void the warranty. The exceptions are acrylics and other natural items that are made specifically for wood turning.

### Warranty Limitations

Woodworking products with a Five Year Warranty that are used for commercial or industrial purposes default to a Two Year Warranty. Please contact Technical Service at 1-800-274-6846 for further clarification.

### How to Get Technical Support

Please contact Technical Service by calling 1-800-274-6846. **Please note that you will be asked to provide proof of initial purchase when calling.** If a product requires further inspection, the Technical Service representative will explain and assist with any additional action needed. JET has Authorized Service Centers located throughout the United States. For the name of an Authorized Service Center in your area call 1-800-274-6846 or use the Service Center Locator on the JET website.

### More Information

JET is constantly adding new products. For complete, up-to-date product information, check with your local distributor or visit the JET website.

### How State Law Applies

This warranty gives you specific legal rights, subject to applicable state law.

### Limitations on This Warranty

JET LIMITS ALL IMPLIED WARRANTIES TO THE PERIOD OF THE LIMITED WARRANTY FOR EACH PRODUCT. EXCEPT AS STATED HEREIN, ANY IMPLIED WARRANTIES OF MERCHANTABILITY AND FITNESS FOR A PARTICULAR PURPOSE ARE EXCLUDED. SOME STATES DO NOT ALLOW LIMITATIONS ON HOW LONG AN IMPLIED WARRANTY LASTS, SO THE ABOVE LIMITATION MAY NOT APPLY TO YOU.

JET SHALL IN NO EVENT BE LIABLE FOR DEATH, INJURIES TO PERSONS OR PROPERTY, OR FOR INCIDENTAL, CONTINGENT, SPECIAL, OR CONSEQUENTIAL DAMAGES ARISING FROM THE USE OF OUR PRODUCTS. SOME STATES DO NOT ALLOW THE EXCLUSION OR LIMITATION OF INCIDENTAL OR CONSEQUENTIAL DAMAGES, SO THE ABOVE LIMITATION OR EXCLUSION MAY NOT APPLY TO YOU.

JET sells through distributors only. The specifications listed in JET printed materials and on official JET website are given as general information and are not binding. JET reserves the right to effect at any time, without prior notice, those alterations to parts, fittings, and accessory equipment which they may deem necessary for any reason whatsoever. JET® branded products are not sold in Canada by JPW Industries, Inc.

### Product Listing with Warranty Period

90 Days – Parts; Consumable items
1 Year – Motors; Machine Accessories
2 Year – Metalworking Machinery; Electric Hoists, Electric Hoist Accessories; Woodworking Machinery used for industrial or commercial purposes
5 Year – Woodworking Machinery
Limited Lifetime – JET Parallel clamps; VOLT Series Electric Hoists; Manual Hoists; Manual Hoist Accessories; Shop Tools; Warehouse & Dock products; Hand Tools; Air Tools

NOTE: JET is a division of JPW Industries, Inc. References in this document to JET also apply to JPW Industries, Inc., or any of its successors in interest to the JET brand.



427 New Sanford Road  
LaVergne, Tennessee 37086  
Phone: 800-274-6848  
[www.jettools.com](http://www.jettools.com)