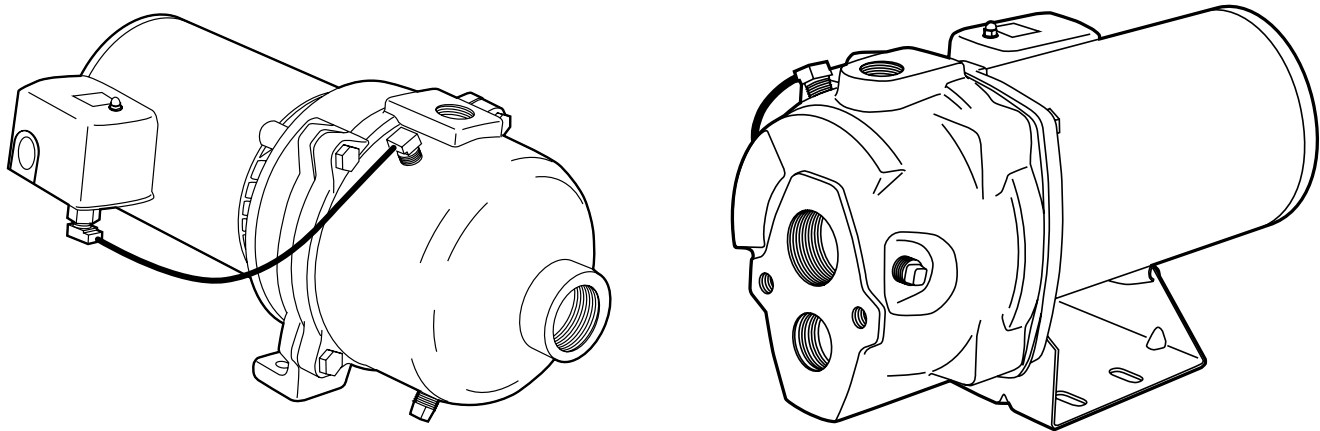


MYERS®**HJ, HR Series****Installation/Operation/Parts**

For further operating, installation, or maintenance assistance:

Call 1-888-987-8677**EnglishPages 2-22****Installation/Fonctionnement/Pièces**

Pour plus de renseignements concernant l'utilisation, l'installation ou l'entretien,

Composer le 1 (888) 987-8677**FrançaisPages 23-43****Instalación/Operación/Piezas**

Para mayor información sobre el funcionamiento, instalación o mantenimiento de la bomba:

Llame al 1-888-987-8677**EspañolPaginas 44-64**

Important Safety Instructions

SAVE THESE INSTRUCTIONS - This manual contains important instructions that should be followed during installation, operation, and maintenance of the product.

⚠ This is the safety alert symbol. When you see this symbol on your pump or in this manual, look for one of the following signal words and be alert to the potential for personal injury!

⚠ DANGER indicates a hazard which, if not avoided, *will* result in death or serious injury.

⚠ WARNING indicates a hazard which, if not avoided, *could* result in death or serious injury.

⚠ CAUTION indicates a hazard which, if not avoided, *could* result in minor or moderate injury.



NOTICE addresses practices not related to personal injury.

Carefully read and follow all safety instructions in this manual and on pump.

Keep safety labels in good condition. Replace missing or damaged safety labels.

California Proposition 65 Warning

⚠ WARNING This product and related accessories contain chemicals known to the State of California to cause cancer, birth defects or other reproductive harm.

 WARNING

<p>Hazardous voltage. Can shock, burn, or cause death.</p> <p>Ground pump before connecting to power supply. Disconnect power before working on pump, motor or tank.</p>

- ⚠ Wire motor for correct voltage.** See “Electrical” section of this manual and motor nameplate.
- ⚠ Ground motor before connecting to power supply.**
- ⚠ Meet National Electrical Code, Canadian Electrical Code, and local codes for all wiring.**
- ⚠ Follow wiring instructions in this manual when connecting motor to power lines.**

Electrical Safety

⚠ WARNING Risk of electrical shock. Can shock, burn or kill. Before installing or servicing your pump, be certain the pump power source is disconnected. If in doubt, consult a qualified electrician.

Make sure the line voltage and frequency of the electrical power supply agrees with the motor wiring. If motor is dual voltage, be sure it is set correctly for your power supply.

Do not use extension cords.

Do not use this pump in or near a swimming pool.

General Safety

⚠ CAUTION Risk of burns. Do not touch an operating motor. Motors are designed to operate at high temperatures. To avoid burns when servicing pump, allow it to cool for 20 minutes after shut-down before handling.

Do not allow pump or any system component to freeze. To do so will void warranty.

Pump water only with this pump.



Periodically inspect pump and system components.

Wear safety glasses at all times when working on pumps.

Keep work area clean, uncluttered and properly lighted; store properly all unused tools and equipment.

Keep visitors at a safe distance from the work areas.

⚠ WARNING Risk of explosion. Pump body may explode if used as a booster pump unless relief valve capable of passing full pump flow at 75 psi is installed.

 WARNING

<p>Hazardous pressure! Install pressure relief valve in discharge pipe.</p> <p>Release all pressure on system before working on any component.</p>

Limited Warranty

F.E. MYERS warrants to the original consumer purchaser ("Purchaser" or "You") of the products listed below, that they will be free from defects in material and workmanship for the Warranty Period shown below.

Product	Warranty Period
Jet pumps, small centrifugal pumps, submersible pumps and related accessories	<i>whichever occurs first:</i> 12 months from date of original installation, or 18 months from date of manufacture
Fibrewound Tanks	5 years from date of original installation
Steel Pressure Tanks	5 years from date of original installation
Sump/Sewage/Effluent Products	12 months from date of original installation, or 24 months from date of manufacture

Our warranty will not apply to any product that, in our sole judgement, has been subject to negligence, misapplication, improper installation, or improper maintenance. Without limiting the foregoing, operating a three phase motor with single phase power through a phase converter will void the warranty. Note also that three phase motors must be protected by three-leg, ambient compensated, extra-quick trip overload relays of the recommended size or the warranty is void.

Your only remedy, and F.E. MYERS's only duty, is that F.E. MYERS repair or replace defective products (at F.E. MYERS's choice). You must pay all labor and shipping charges associated with this warranty and must request warranty service through the installing dealer as soon as a problem is discovered. No request for service will be accepted if received after the Warranty Period has expired. This warranty is not transferable.

F.E. MYERS SHALL NOT BE LIABLE FOR ANY CONSEQUENTIAL, INCIDENTAL, OR CONTINGENT DAMAGES WHATSOEVER. THE FOREGOING LIMITED WARRANTIES ARE EXCLUSIVE AND IN LIEU OF ALL OTHER EXPRESS AND IMPLIED WARRANTIES, INCLUDING BUT NOT LIMITED TO IMPLIED WARRANTIES OF MERCHANTABILITY AND FITNESS FOR A PARTICULAR PURPOSE. THE FOREGOING LIMITED WARRANTIES SHALL NOT EXTEND BEYOND THE DURATION PROVIDED HEREIN.

Some states do not allow the exclusion or limitation of incidental or consequential damages or limitations on the duration of an implied warranty, so the above limitations or exclusions may not apply to You. This warranty gives You specific legal rights and You may also have other rights which vary from state to state.

This Limited Warranty is effective June 1, 2011 and replaces all undated warranties and warranties dated before June 1, 2011.

F.E. MYERS

293 Wright Street, Delavan, WI 53115

Phone: 888-987-8677 • Fax: 800-426-9446 • www.femyers.com

In Canada: P. O. Box 9138, 269 Trillium Dr., Kitchener, Ontario N2G 4WS

Phone: 519-748-5470 • Fax: 888-606-5484

Major Components and What They Do Tank and Air Volume Control

The tank serves two functions: (1) it provides a reservoir of water – some of which can be drawn through the house fixture before the pump must start; (2) it maintains a cushion of air under pressure.

When a **Pre-charged Bladder Tank** is used, no air volume control is needed. This tank contains an isolated pre-charge of air.

When a **non-bladder type tank** is used, an air volume control adds air to the tank as needed. The air volume control is hooked to the side of the tank and a pressure tube is connected from the air volume control to the suction side of the pump.

Pressure Switch

A pressure switch is provided for automatic operation. The pump starts when the system pressure drops to the cut-in pressure and stops when system pressure reaches the cut-out pressure.

Impeller, Jet and Pressure Regulator

The pump impeller rotates with the motor shaft, causing an increase in pressure. The rotation of the impeller creates a vacuum, allowing water to be drawn into the pump. Part of the water is diverted back to the jet, where it again passes through the nozzle and venturi, creating additional vacuum to draw in more water and deliver it at high pressure to the impeller.

In a **deep well installation**, the jet assembly is submerged in the well because the vertical distance to the water level exceeds the suction lift of the pump. Adjustment of the regulator causes the correct amount of water to be diverted back to the jet for the most efficient operation. The regulator may be used to restrict the flow of water in a shallow well system if the convertible pump has the capacity to draw more water than the well can produce.

In a **shallow well installation**, the jet assembly is attached directly to the pump because a vacuum will lift water to the pump.

Well Water Level

Shallow well water systems are recommended for use in wells where the sum of: (1) the vertical measurement from the pump to the water level in the well; (2) the well water drawdown; and (3) the suction pipe friction in feet equals 25 feet or less.

Location

The unit may be installed in any convenient location to the well that provides sufficient space for installation and servicing the well. A dry basement, pit or utility room is an excellent choice when allowed by law. Check with state and local agencies to determine restrictions in your area.

Wells

A new well should be sand-pumped until clear before installation. Sand will damage pump parts and the seal. The drawdown level of the well should not exceed the maximum rated depth for the pump or the capacity will be reduced and may cause loss of prime.

NOTICE Chlorinating the well may be required before installing a new pump. Check with local health department for recommendations.

Piping

Plastic pipe is shown in the illustrations. Galvanized iron pipe can be used if desired.

- The piping must be clean and free of all foreign matter to prevent clogging of the jet.
- If the unit is installed offset from the well, the piping should slope upward from the well to the pump. Unions should be provided where necessary.
- Provide a drain cock at a low point in the service line to drain the pressure tank.

Be sure all suction connections are airtight. The primary cause of problems in a new installation is air leaks in one or more joints in the suction line.

Sealing Pipe Joints

Use only PTFE pipe thread sealant tape or PTFE-based joint compounds for making all threaded connections to the pump itself. **Do not use pipe joint compounds on plastic pumps:** they can react with the plastic in pump components. Make sure that all pipe joints in the suction pipe are air tight as well as water tight. *If the suction pipe can suck air, the pump will not be able to pull water from the well.*

Shallow Well Installation

Refer to Figure 1 for typical Shallow Well installations.

1. Connect foot valve to 1-1/4" plastic pipe adapter. Cement adapter to 1-1/4" rigid PVC pipe. All connections must be air- and water-tight for pump to operate correctly.
2. Add rigid PVC pipe sections and couplings (as required) while lowering foot valve into well. As much as 30 feet of pipe could be required.
NOTICE Removing foot valve screen will void warranty.
3. Install well seal over rigid PVC pipe and into well casing. Cement 1-1/4" PVC elbow to top of pipe at correct length to position foot valve 5 feet above bottom of well. Lower foot valve/piping assembly carefully into well, using pipe clamp. Draw up bolts on well seal until rubber gaskets are tight against both the well casing and the pipe.
4. **For shallow well pumps** – Cement one end of horizontal 1-1/4" pipe into elbow. Add sections to reach the pump. This pipe should slope up to the pump from the elbow. Thread 1-1/4" adapter into pump. Cement horizontal pipe into adapter that has been threaded into pump.
- 4A. **For convertible pumps** – Install plastic nozzle and venturi into ejector housing. Secure shallow well ejector assembly and gasket to pump case with bolts supplied.
5. Connect pressure tube between pump case and pressure switch on pump.
6. Thread 1-1/4" PVC adapter into shallow well ejector. Cement horizontal pipe into adapter threaded into ejector.
7. Using pipe wrench, install discharge tee in pump discharge until tight.
8. Go to *Electrical* section and make electrical connections as described.
9. After electrical work is completed and before pump is connected to pressure tank, the pump should be primed and test run. To prime, remove bushing from top of discharge tee. Fill piping and pump with water until the water overflows from top of tee. Replace bushing and tighten to seal. Install pressure gauge (purchase separately). Before starting pump, place large bucket or other container under check valve opening.
10. Start motor. If pump is installed with a horizontal offset line of 4 feet or more, it may take several minutes to prime. If pump does not prime in 5 minutes: (1) stop motor; (2) remove discharge plug and pressure gauge; and (3) add more water.
11. Allow pump to empty into container long enough to clear the well of any sand or dirt and to be sure the well is not going to run out of water.
12. Stop pump and complete connections to pressure tank, as described in *Tank Connection*. Allow pump to cycle automatically several times to check pressure switch setting and operation. Make sure the pressure switch is set low enough to shut off the pump. If a valve is shut off and the pressure switch setting is too high, the pump will run continuously without water flow. This will overheat and damage the pump.

NOTICE If pump is being used as a lawn sprinkler or irrigation pump, you **MUST** remove the pressure switch and wire the pump direct. Also, no pressure tank is used.

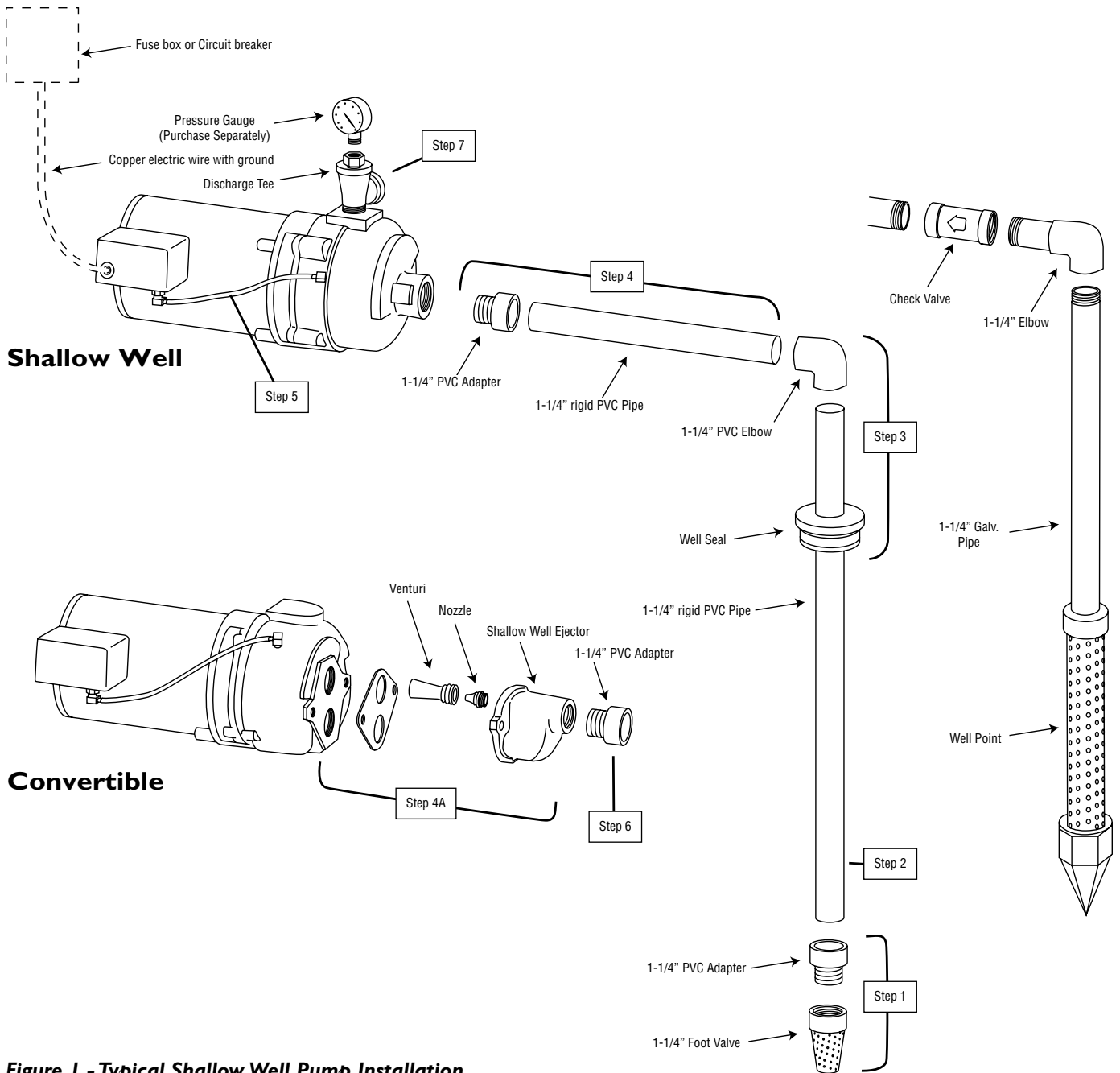


Figure 1 - Typical Shallow Well Pump Installation

Well Point Installation

If installing a well point instead of a foot valve, follow the instructions included with the well point. In addition:

- Do not install a well seal
- Install the two check valves: one on the well side of the pump; one on the house side.

Tank Connection

Pre-Charge Tank Connection

If your system uses a pre-charged tank, it should be connected to the pump as shown in Figure 2. The relief valve must be capable of passing the entire pump capacity at 100 PSI pressure.

Check the pre-charge of air in the tank with an ordinary tire gauge. The pre-charge is measured when there is no water pressure in the tank. Disconnect power to the pump and drain the tank before checking the pre-charge. Your pump has a 30/50 PSI switch, so the tank pre-charge pressure should be 28 PSI (that is, it should be 2 PSI lower than the cut-in pressure of the pressure switch).

No Air Volume Control is required for a pre-charged tank; the 1/8" NPT AVC port on the pump body should be plugged.

Standard Tank Connection

If your system uses a standard tank, connect it to the pump as shown in Figure 3. The relief valve used with a standard tank must be capable of passing the entire pump capacity at 75 PSI pressure.

Connect the Air Volume Control (AVC) tube to the 1/8" NPT AVC port on the pump body. Run the tubing from the pump's AVC port to the AVC mounted on the tank. See the instructions provided with tank and AVC for details.

NOTICE Installing a check valve between the pump and tank can cause short cycling in the following conditions:

- a. Leaky foot valve
- b. Long horizontal suction line
- c. Air trapped in suction line
- d. Wells with gaseous water

To resolve this problem you can:

- a. Remove the check valve completely.
- b. Move the check valve beyond the tank.
- c. Change the pressure switch tap to the tank tee.

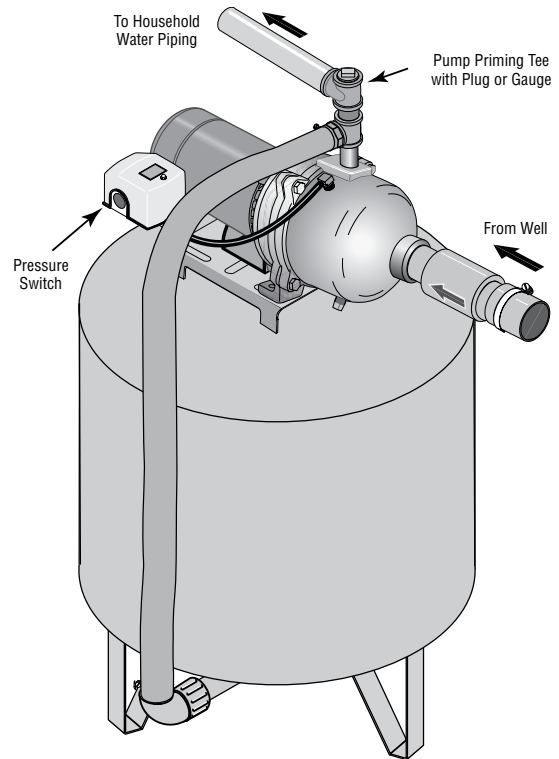


Figure 2 - Pre-charged Tank Connections

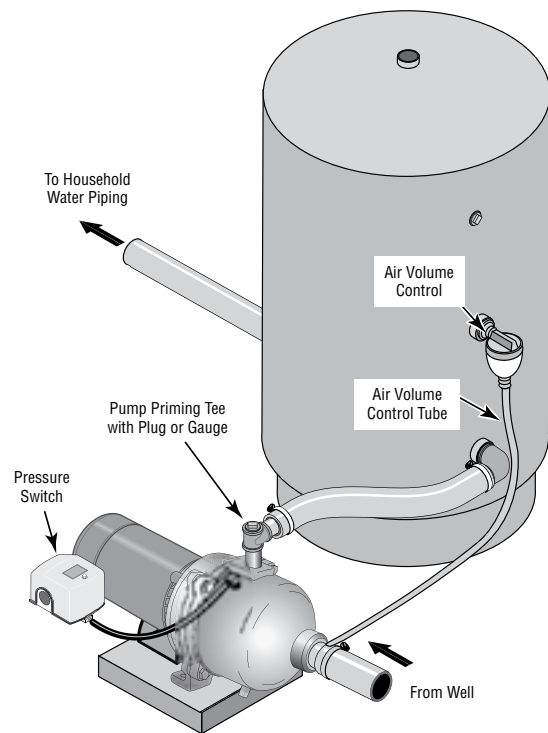


Figure 3 - Standard Tank Connections

Deep Well Installation

Refer to Figure 4 for typical Deep Well installations.

1. Begin installation by attaching foot valve to close nipple of corresponding size. Connect nipple/foot valve assembly to bottom of ejector body. Next install plastic nozzle and venturi into top of ejector body. All connections must be watertight for pump to operate correctly.

2. **For 1/2 HP pumps**, install 1" PVC adapter in ejector body. Then install 1-1/4" female PVC adapter on ejector body over the plastic venturi.

2A. **For 3/4 and 1 HP pumps**, install a 1-1/4" female PVC adapter on ejector body over the plastic venturi. Then install a 1-1/4" x 5" nipple in ejector body, followed by a 1-1/4" female PVC adapter.

Cement rigid PVC pipes into the pipe adapters on the ejector body. Add rigid PVC pipes and couplings (as required) while lowering ejector assembly into the well with pipe clamps.

NOTICE Removing foot valve screen will void warranty.

After lowering pipes and ejector assembly into well, install well seal. Draw up bolts on well seal until the rubber gaskets are tight against the well casing and the two plastic pipes.

3. **For 1/2 HP pumps**, cut pipes at length to position foot valve 5 feet above bottom of well. Cut top of 1" pipe 2" shorter than the 1-1/4" pipe, as shown in the installation diagram.

Cement 1-1/4" PVC elbow and 1" PVC elbow to the top of each pipe. Cement 1-1/4" and 1" rigid PVC horizontal pipes to elbows. Thread 1-1/4" PVC adapter into top opening in pump face. Install 1"x4" nipple into bottom opening of pump face. Add 1" female PVC adapter onto nipple. Cut 1" horizontal pipe 3-1/2" shorter than 1-1/4" horizontal pipe. Cement 1-1/4" and 1" horizontal pipes to these adapters. Horizontal pipes should slope up to pump from elbows.

3A. **For 3/4 and 1 HP pumps**, cut length of pipe to position foot valve 5 feet above bottom of well. Cut the top of the drive pipe 2-1/4" shorter than delivery pipe, as shown in the installation diagram. Cement PVC elbows to each pipe. Cement rigid PVC horizontal pipes to elbows at the top of the well. Add pipe sections and couplings (as needed) to connect to the pump. Thread 1-1/4" PVC adapters into openings in pump face. Cement rigid PVC horizontal pipes into adapters. Horizontal pipes should slope up to pump from elbows.

NOTICE Installing a check valve between the pump and tank can cause short cycling in the following conditions:

- a. Leaky foot valve
- b. Long horizontal suction line
- c. Air trapped in suction line
- d. Wells with gaseous water

To resolve this problem you can:

- a. Remove the check valve completely.
 - b. Move the check valve beyond the tank.
 - c. Change the pressure switch tap to the tank tee.
4. Go to *Electrical* section and make electrical connections as described.
 5. After electrical work is completed and before pump is connected to pressure tank, the pump should be primed and test run. To prime, fill the piping and the pump with water through discharge outlet until the water overflows (for deep well packer installations, remove plug from packer adapter). Before starting pump, place large bucket or other container under check valve opening.
 6. Install pressure regulator into pump discharge outlet. Install brass fittings and tubing to connect pressure switch to pressure regulator. Install pressure gauge (purchase separately) into pressure regulator.
 7. Start motor. Turn regulator adjusting screw down tight. If pump is properly primed, a high pressure will immediately show on pressure gauge. If no pressure is obtained: (1) stop motor; (2) remove priming plug; and (3) add more water.

With pump operating at high pressure, slowly unscrew regulator adjusting screw until maximum water flow is obtained without pressure dropping to zero. If pressure does drop completely, again tighten down regulator adjusting screw and readjust until steady operation is obtained. The steady pressure will be the operating pressure and should not be less than the value shown here.

Operating Pressure (Two Pipe, Deep Well)		
1/2 HP	3/4 HP	1 HP
24 PSI	26 PSI	32 PSI

8. Allow pump to empty into container long enough to clear the well of any sand or dirt and to be sure the well is not going to run out of water.
9. Stop pump and complete connections to pressure tank, as described in *Tank Connection*. Allow pump to cycle automatically several times to check pressure switch setting and operation. Make sure the pressure switch is set low enough to shut off the pump. If a valve is shut off and the pressure switch setting is too high, the pump will run continuously without water flow. This will overheat and damage the pump.

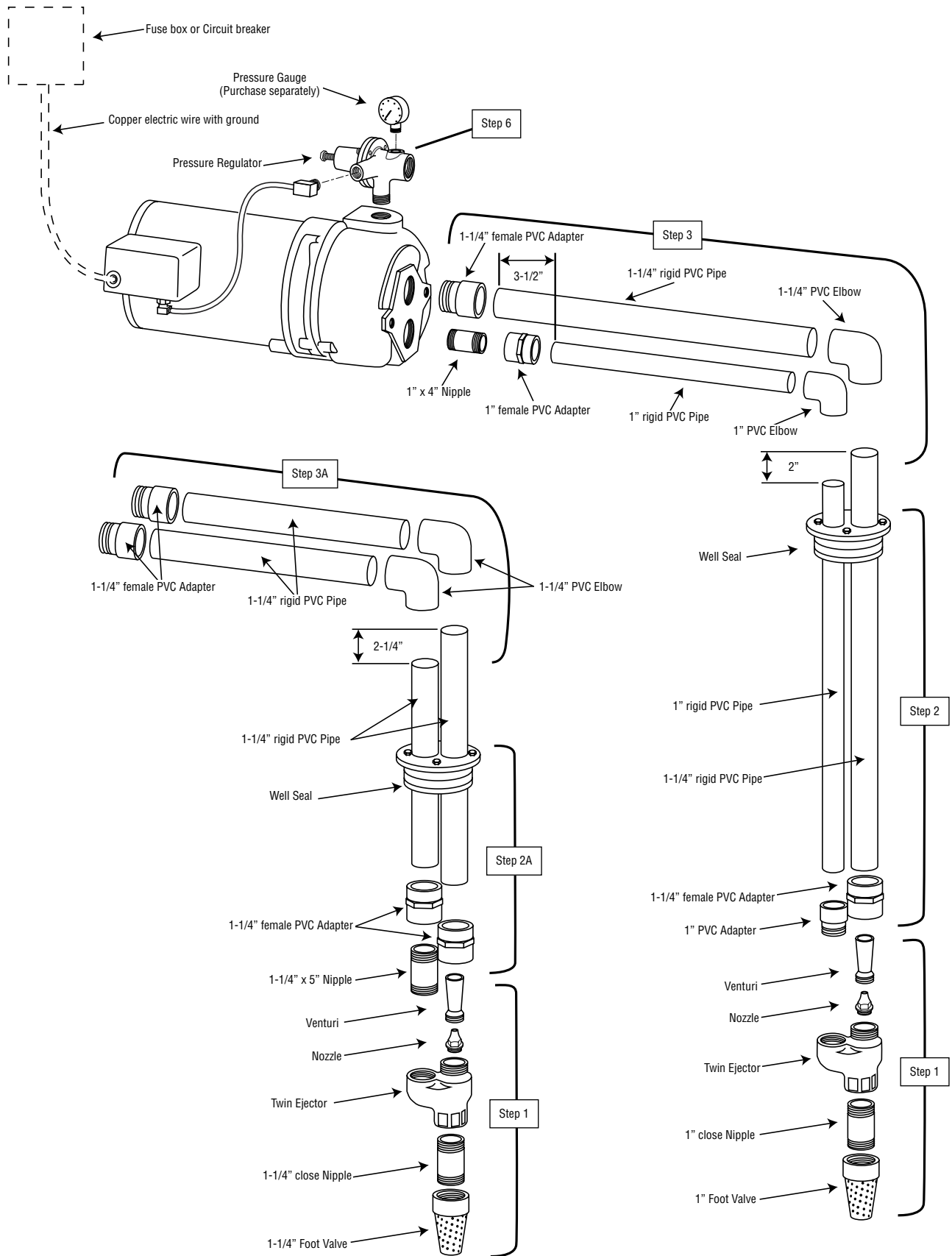


Figure 4 - Typical Deep Well Pump Installation

Deep Well Packer Jet Pump Installation

Refer to Figure 5 for typical Deep Well Packer Jet installations.

1. Begin installation into 2" diameter well casing by attaching foot valve to bottom of packer ejector body. Remove brass coupling from top of ejector. Next install plastic nozzle and venturi into top of packer body. Reinstall brass coupling over venturi. All connections must be watertight for pump to operate correctly.
2. Thread 1" PVC adapter into brass coupling. Cement the 1" PVC rigid pipe to the pipe adapter.
3. Carefully lower pipe/packer ejector assembly into well, adding PVC rigid plastic pipe sections and couplings as required. Cut 1" PVC rigid pipe at length to position packer ejector assembly at least 5 feet above bottom of well casing.

NOTICE Removing foot valve screen will void warranty.

4. Install 1" x 8" nipple into bottom of packer well adapter. Install 1" PVC female adapter onto nipple.
5. Slip packer adapter compression plate and compression gasket over the PVC rigid pipe. Cement 1" female PVC pipe adapter to tip of PVC rigid pipe.
6. Install the 3 nuts and bolts and alternately tighten the packer adapter to the packer compression plate, sealing it to the well casing.
7. If desired, pumps may be bolted directly to the well adapter. If pump is installed directly to adapter, skip step 8.

8. **For 1/2 HP pumps**, thread 1-1/4" PVC adapters into packer adapter. Cement 1-1/4" x 1" PVC bushing into lower adapter.
Cement 1-1/4" and 1" rigid PVC horizontal pipes into PVC adapter and bushing. Add pipe sections and coupling (as needed) to connect to the pump. Because of different center distances, these pipes will differ in lengths slightly.
Thread 1-1/4" PVC adapter into top opening in pump face. Install 1" x 4" nipple into bottom opening in pump face. Add 1" female PVC adapter onto nipple. Cut 1" horizontal pipe 3-1/2" shorter than 1-1/4" horizontal pipe. Cement 1-1/4" and 1" horizontal pipes into these adapters. Horizontal pipes should slope up to pump from packer adapter.
- 8A. **For 3/4 and 1 HP pumps**, thread 1-1/4" PVC adapters into packer adapter. Cement rigid PVC horizontal pipes into pipe adapters. Add pipe sections and couplings (as needed) to connect to the pump. Thread 1-1/4" PVC adapters into openings in pump face. Cement rigid PVC horizontal pipes into adapters. Horizontal pipes should slope up to pump from packer adapter.

Remaining Steps: to complete installation, follow steps 4 through 9 under *Deep Well Installation*.

NOTICE Due to normal irregularities in the cup seal leather and the inner walls of the casing, packer jets do not form a perfect seal. In a dormant system, pressure will leak off over time, causing pump to cycle periodically to maintain system pressure level.

Installation

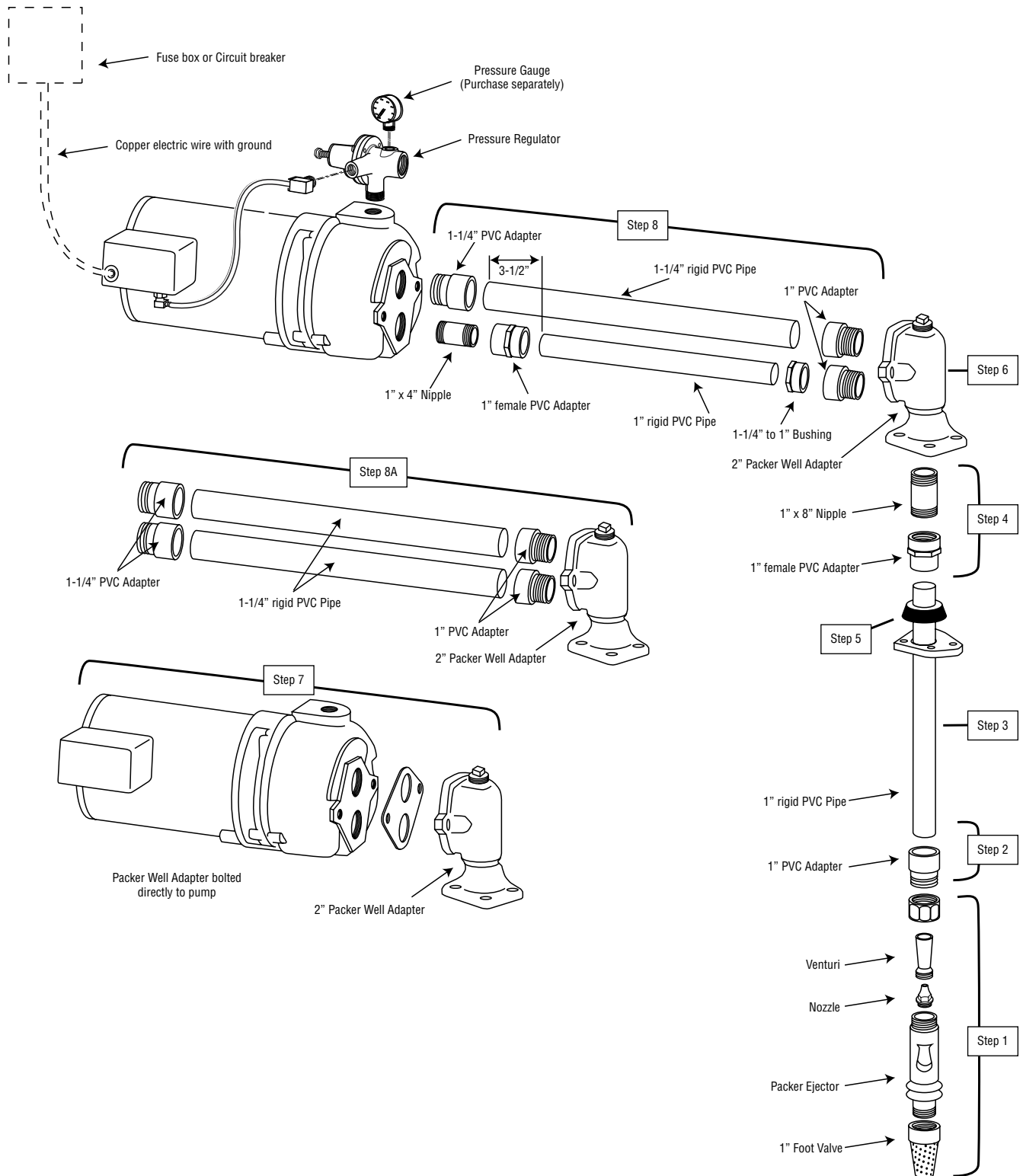


Figure 5 - Typical Deep Well Packer Installation

⚠ WARNING Risk of electrical shock. Can shock, burn or kill. Disconnect power before working on pump, motor, pressure switch, or wiring.

Motor Switch Settings

NOTICE 1/2 HP motors are dual voltage and are factory set to 115 V. 3/4 and 1 HP motors are also dual voltage, but are factory set to 230 V. Motor terminal board (located under the motor end cover) should look like that shown below. Use the instructions to set your motor to match your power source.

⚠ WARNING Risk of electrical shock. Never connect a motor set to 115 V to a 230 V power source.

Plug Type Voltage Selector

Voltage is set to 230 V. To change to 115 V:

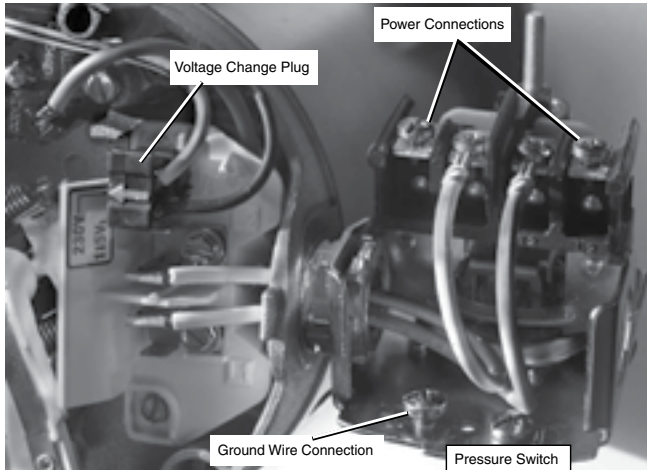


Figure 6 - Voltage set to 230 V, Plug Type

1. Make sure power is off.
2. Pull the voltage change plug off of the tabs.
3. Move the voltage change plug to the 115 V position. The plug will now cover 2 metal tabs and the arrow on the plug will line up with the 115V arrow on the label (see Figure 7).



Figure 7 - Voltage set to 115 V, Plug Type

4. Attach the incoming power leads to the two outer screws on the pressure switch as shown in Figure 6.
5. Attach the ground wire to one of the grounding connections, shown in Figure 6.
6. If there are other wires, they should be capped.
7. Reinstall the motor end and pressure switch covers.

Dial Type Voltage Selector

Voltage is set to 230 V. To change to 115 V:

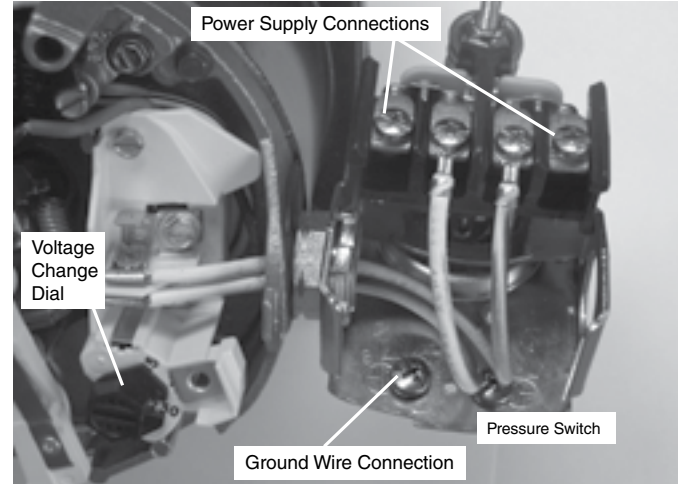


Figure 8 - Voltage set to 230 V, Dial Type

1. Make sure power is off.
2. Use a 1/2 inch open end wrench and turn the dial counter-clockwise until 115 shows in the dial window, as shown in Figure 9.



Figure 9 - Voltage set to 115 V, Dial Type

3. Attach the incoming power leads to the two outer screws on the pressure switch as shown in Figure 8.
4. Attach the ground wire to the grounding connections as shown in Figure 8.
5. If there are other wires, they should be capped.
6. Reinstall the motor end and pressure switch covers.

⚠ WARNING Risk of electrical shock. Can shock, burn, or kill. Connect ground wire before connecting power supply wires. Use the wire size (including the ground wire) specified in the wiring chart. If possible, connect the pump to a separate branch circuit with no other appliances on it.

⚠ WARNING Risk of explosion. Do not ground to a gas supply line.

Wiring Connections

⚠ WARNING Risk of fire. Can cause severe injury, property damage or death. Incorrect voltage can cause a fire or seriously damage the motor and voids the warranty. The supply voltage must be within $\pm 10\%$ of the motor nameplate voltage.

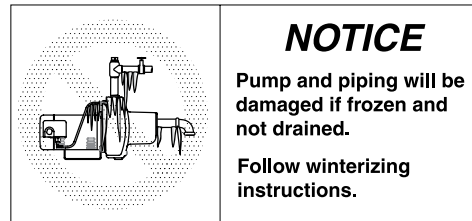
NOTICE Dual-voltage motors may be set for 115 V or 230 V. If necessary, reset the motor to the desired voltage, as shown. Do not alter the wiring in single voltage motors.

Install, ground, wire, and maintain your pump in compliance with the National Electrical Code (NEC) or the Canadian Electrical Code (CEC), as applicable, and with all local codes and ordinances that apply. Consult your local building inspector for code information.

Connection Procedure:

1. Connect the ground wire first as shown in Figure 6. The ground wire must be a solid copper wire at least as large as the power supply wires.
2. There must be a solid metal connection between the pressure switch and the motor for motor grounding protection. If the pressure switch is not connected to the motor, connect the green ground screw in the switch to the green ground screw under the motor end cover. Use a solid copper wire at least as large as the power supply wires.

3. Connect the ground wire to a grounded lead in a service panel, to a metal underground water pipe, to a metal well casing at least ten feet (3 m) long, or to a ground electrode provided by the power company or the hydro authority.
4. Connect the power supply wires to the pressure switch as shown in Figure 6. Pump should be connected to a separate electrical circuit directly from the fuse box or circuit breaker panel.



Winterizing the Pump

To prepare the pump for freezing temperatures:

1. Shut off power to the pump.
2. Relieve system pressure. Open a faucet and let it drain until water stops flowing.
3. Drain the pump. Your pump may have a separate drain plug. Remove this plug and let it drain.

Your pump may only have a plug or connection on the side of the pump. Remove this and let the pump drain. Some water will remain in the pump. A small amount of water left in the pump will not harm it if it freezes.

Wiring Chart – Recommended Wire and Fuse Sizes

NOTICE Your motor's rated "Max Load Amps" can be found on the motor nameplate.

Voltage	HP	Max Load Amps	Branch Fuse Rating Amps	Distance in Feet (Meters); Wire Size AWG (mm ²)					
				0-100 (0-30)	101-200 (31-61)	201-300 (62-91)	301-400 (92-122)	401-500 (123-152)	
115 Volts	1/2	9.4	15	14 (2)	10 (5.5)	10 (5.5)	6 (14)	6 (14)	
		12.2	20	12 (3)		8 (8.4)			
	1	14.8			25	10 (5.5)			8 (8.4)
		19.2							
230 Volts	1/2	4.7	15	14 (2)	14 (2)	14 (2)	14 (2)	12(3)	
		6.1					12 (3)		
	3/4	7.4				10 (5.5)	12 (3)		10 (5.5)
		9.6							

This information is for checking jet pump installations which are not operating properly. It is based on the premise that the installed system will consist of a jet pump taking water from a well where the water level is below the pump and the pump is delivering water into a pressure storage tank.

⚠️ WARNING Risk of electric shock. Can shock, burn or kill. To guard against accidental personal injury, the electric power to the pump should be turned off when conducting the checking procedures outlined. There are obvious exceptions, however, and service personnel should take necessary safeguards against the hazard of electrical shock.

Problem	Checking Procedure
Shallow Well	
Pump will not prime.	Stop motor, remove priming plug, and fill case with water.
	Make sure section line has no leaks and that it slopes gradually from pump to well with no high or low spots.
	Make sure pump shaft turns clockwise when viewed from motor end opposite shaft.
	Check for plugged venturi or nozzle.
	Make sure the foot valve is not sitting sand or mud and that it is not stuck shut.
Pump delivers water for a period of time, then stops pumping.	Make sure well water is not drawing below the foot valve. Use a water level tester while pump is operating.
	Check for plugged or worn nozzle or venturi tube.
	Check for plugged impeller parts.
Pump does not deliver rated capacity.	Check nozzle and venturi for wear or partial plugging.
	On 3/4 and 1 HP models, make sure diffuser o-ring seal is in place.
	Check pressure gauge. It may be defective, resulting in false readings.
Motor overheats and shuts off (overload.)	Make sure motor is properly wired for the supplied voltage.
	Make sure wire is properly sized.
	Make sure the impeller is not rubbing against the pump case.
Motor fails or does not operate properly.	If within warranty, return pump/motor to place of purchase (with proof of purchase) for repair or exchange, if necessary.

Problem	Checking Procedure
Deep Well	
Pump will not prime.	Stop motor, remove pressure regulator and fill case with water.
	If pump is offset, check horizontal piping for dips or high spots. Pipe must have a gradual slope from pump downward to well.
	Check well water level to be sure ejector is in water.
	Check piping and pump for air leaks.
	Take pump apart to confirm diffuser o-ring seal is properly positioned.
	Be sure motor is running in correct rotation: Clockwise when viewed from motor end opposite shaft.
	Pull well piping and check ejector for plugged nozzle or venturi.
	Make sure foot valve is not sitting in sand or mud.
Pump delivers water for a period of time, then stops pumping.	Make sure well water is not drawing below the foot valve. Use a water level tester while the pump is operating.
	Make sure the regulator is set properly, especially as well draws down. Regulator must be set to provide minimum operating pressure at the maximum drawdown.
	Pull well piping and check ejector for plugged nozzle or venturi.
Pump delivers water but will not kick off pressure switch.	Well may be drawing down below limit of ejector. Check with water level tester while pump is operating.
	Make sure tube from pressure switch to pressure regulator is not plugged.
	Check pressure switch for defects.
	Check for wear at impeller neck.
Pump does not deliver rated capacity.	Make sure diffuser o-ring seal is properly positioned.
	Check well lift. Use water-level tester while pump is running.
	Check submergence depth of ejector. If the ejector is installed more than 10 feet below the pumping level, capacity will be reduced due to increased friction in piping.
	Operating pressure may be too high. Set the regulator to the minimum operating pressure for your pump size.
Motor overheats and shuts off (overload.)	Pull well piping and check the ejector for proper size and depth setting.
	Make sure motor is properly wired for the supplied voltage.
	Make sure wire is properly sized.
Motor fails or does not operate properly.	Make sure the impeller is not rubbing against the pump case.
	If within warranty, return pump/motor to place of purchase (with proof of purchase) for repair or exchange, if necessary.

⚠ WARNING Risk of electric shock. Can shock, burn or kill. To guard against accidental personal injury, the electric power to the pump should be turned off and the pressure tank drained before servicing pump.

HJ and HJA Models

How to Dismantle (HJ Deep Well)

1. Disconnect power and drain pressure tank before dismantling pump.
2. Disconnect pressure switch tube, remove pump case bolts and bracket foot bolts.
3. Use heavy screwdriver behind bolt ears and pry motor bracket from case.
4. Remove diffuser plate bolts and take off diffuser (Figure 10). When replacing diffuser, use three .010" thick shims equally spaced between impeller eye and diffuser to prevent impeller rubbing diffuser and binding.

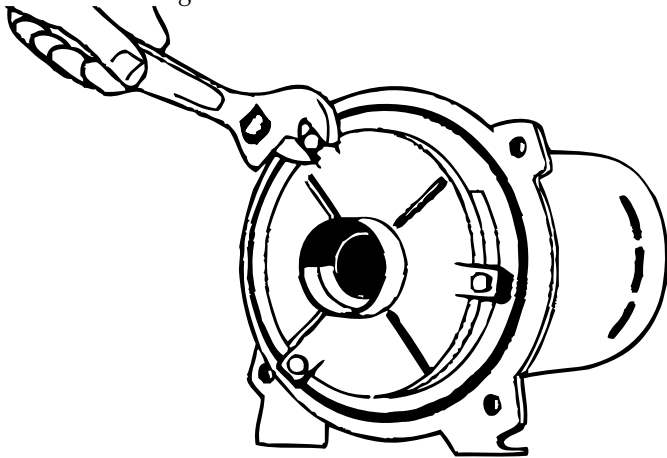


Figure 10 - Remove Diffuser Plate

5. Remove impeller by holding pump shaft with water pump pliers and unscrewing impeller – left-hand counterclockwise facing the impeller to remove (Figure 11.) Impeller can also be removed by prying out motor shaft end cap. Use a screwdriver in slot in end of shaft or a 7/16" open end wrench on shaft flats and hold to prevent shaft rotation. Unscrew impeller counterclockwise.

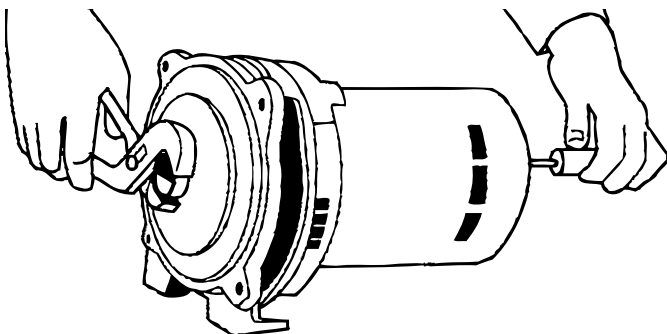


Figure 11 - Remove Impeller

6. Using two screwdrivers, as shown in Figure 12, pry out rotating assembly of shaft seal.

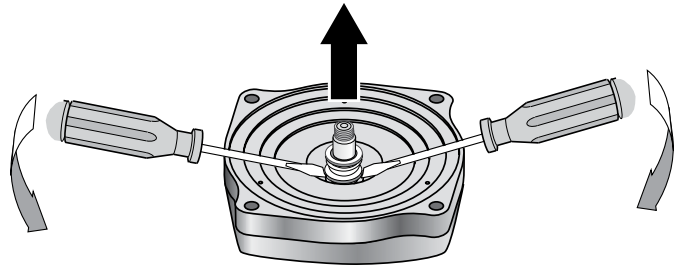


Figure 12 - Pry Out Seal

7. Pump shaft is extension of motor shaft so it is not necessary to replace or adjust for seal position.
8. Remove 4 bolts holding motor to bracket and remove motor.

How to Dismantle (HJ Shallow Well)

1. Disconnect power and drain pressure tank before dismantling pump.
2. Remove case bolts and pry bracket from pump case.
3. Remove screen and plastic diffuser plate. When replacing diffuser, use three .010" thick shims equally spaced between impeller eye and diffuser to prevent impeller rubbing diffuser and bindings.
4. On 1/2 HP models, hold impeller with pliers and unscrew venturi tube. On 3/4 and 1 HP models, venturi tube is screwed into the pump case (Figure 13.)

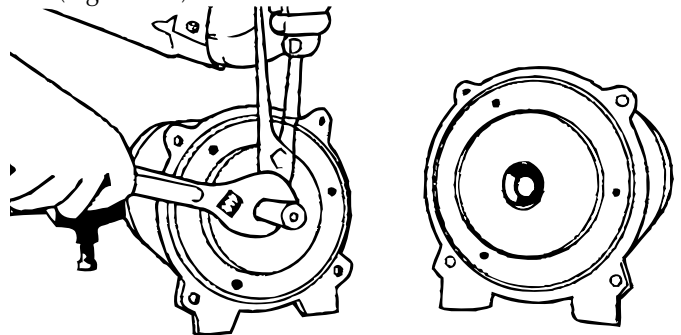


Figure 13 - Remove Venturi

5. Hold pump shaft with pliers and unscrew impeller as shown (Figure 11.)
6. When replacing impeller, file any plier cuts on shaft smooth after tightening in place.
7. Priming screen must be placed with dimple down. **THIS IS IMPORTANT FOR PROPER PRIMING. DO NOT LEAVE THIS SCREEN OFF.**
8. Nozzle on 1/2 HP models can be removed from pump case with any standard 1-1/4" socket wrench with an extension (Figure 14).

On 3/4 and 1 HP models venturi tube and nozzle can be removed in same manner using 27/32" socket for the venturi and 9/16" socket with extension for nozzle.

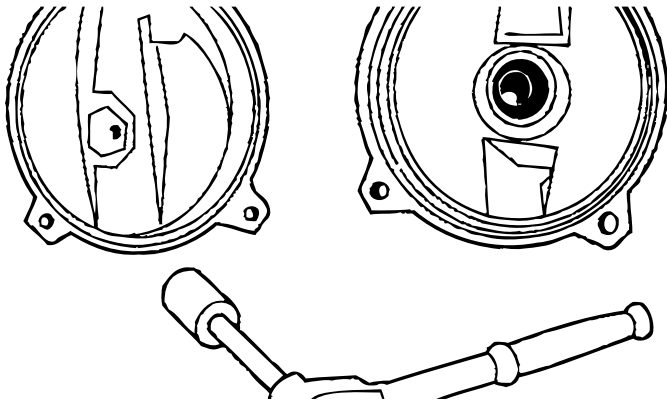


Figure 14 - Remove Nozzle

9. When replacing nozzle and venturi, be sure they are tight against the shoulder. Use care to not cross thread. If nozzle is not fully engaged in case, flow will be blocked by venturi entrance.
10. Remove 4 bolts holding motor to bracket and remove motor.

Replacing Mechanical Seal

1. The seal used on all HJ units is 5/8" size.
2. This seal is made in two parts:
 - a. Rotating assembly, stainless steel spring, drive ferrule with rubber ring and carbon seal ring.
 - b. Stationary ceramic seal ring mounted in synthetic rubber cup.
3. Always replace both rotating assembly and stationary ceramic seat. **DO NOT USE OLD STATIONARY SEAT WITH NEW ROTATING ASSEMBLY SEAL.**
4. Old ceramic ring can be removed from housing by cracking with a chisel or screwdriver without removing the pump shaft.
5. Housing and shaft must be clean and free of sand and dirt before replacing new seal. Wash parts with clean water.
6. Place stationary ceramic seat into housing. Press in with fingers only.
7. Place rotating assembly unit on shaft, carbon ring toward ceramic seat, and press into position with fingers.
8. Dirt on seal faces can cause failure.

All pumping parts of unit can be removed from case without disturbing well piping or tank piping.

HR Models

How to Dismantle (HR Deep Well)

1. Disconnect power and drain pressure tank before dismantling pump.
2. Disconnect the pressure switch tube, remove the 4 cap screws and separate the pump case from the seal plate.
3. Remove the 3 cap screws holding the diffuser to the seal plate and remove the diffuser. When replacing

the diffuser, use three .010" thick shims equally spaced between the impeller eye and diffuser opening. This centers the diffuser and prevents impeller rub (Figure 15.)

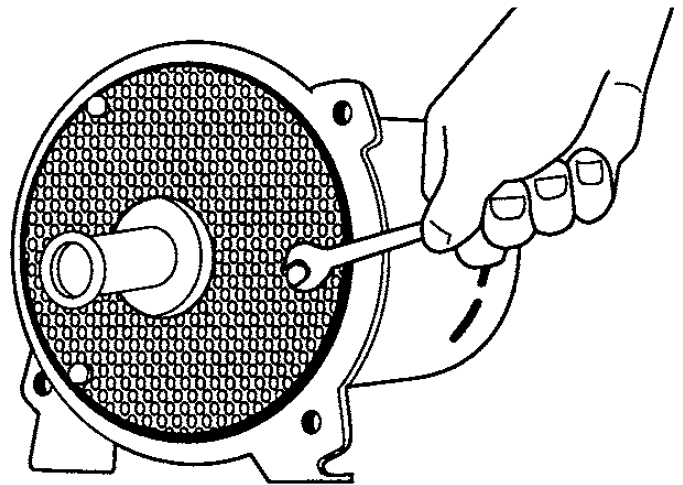


Figure 15 - Remove Diffuser

4. Remove the impeller by holding the pump shaft with a screwdriver placed in the slot end of the motor shaft and rotating the impeller counterclockwise (Figure 16.)

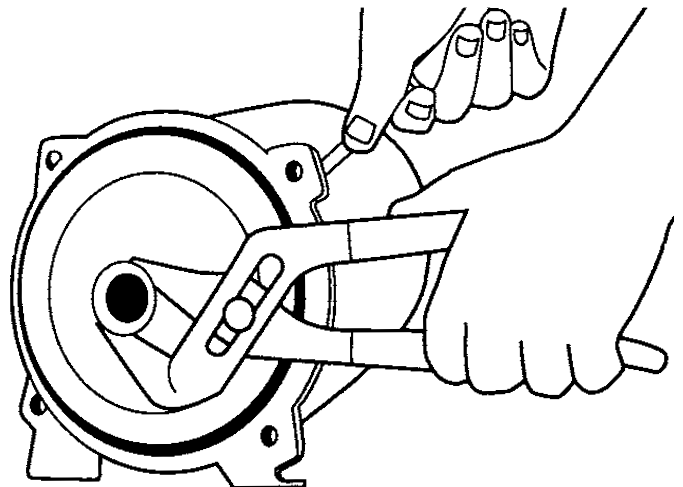


Figure 16 - Remove Impeller

5. Remove the rotating assembly of the shaft seal.
6. The seal plate may now be removed.
7. The ceramic stationary seal can be driven out using a 3/4" dowel.

How to Dismantle (HR Shallow Well)

1. Disconnect power and drain pressure tank before dismantling pump.
2. Disconnect the pressure switch tube, remove the 4 cap screws, and separate the pump case from the seal plate.

3. Remove the 3 cap screws holding the diffuser to the seal plate and remove the diffuser. When replacing the diffuser, use three .010" thick shims equally spaced between the impeller eye and diffuser opening. This centers the diffuser and prevents impeller rub (Figure 16.)
4. On 1/2 HP models, unscrew venturi tube from impeller. On 3/4 and 1 HP models, venturi tube is screwed into the pump case (Figure 17.)

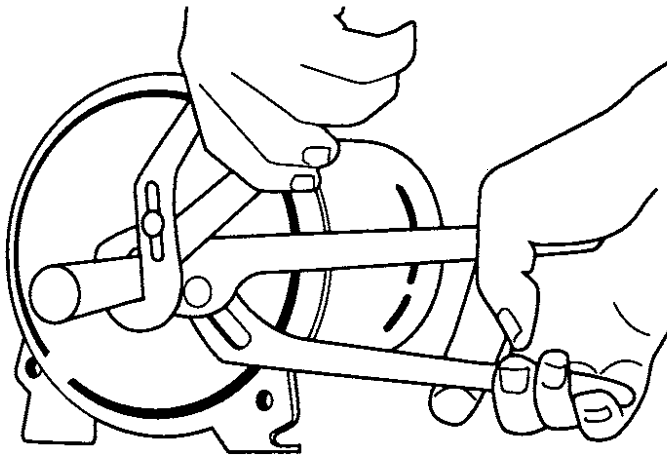


Figure 17 - Remove Venturi

5. Remove the impeller by holding the motor shaft with a screwdriver placed in the slot end of the shaft, and rotating the impeller counterclockwise.
6. The nozzle on 1/2 HP models can be removed from pump case with any standard 1-1/4" socket wrench with an extension (Figure 18). On 3/4 and 1 HP models the nozzle is part of the pump body. When replacing nozzle and venturi, be sure they are tight against the shoulder. Use care to not cross thread. If nozzle is not fully engaged in case, flow will be blocked by venturi entrance.

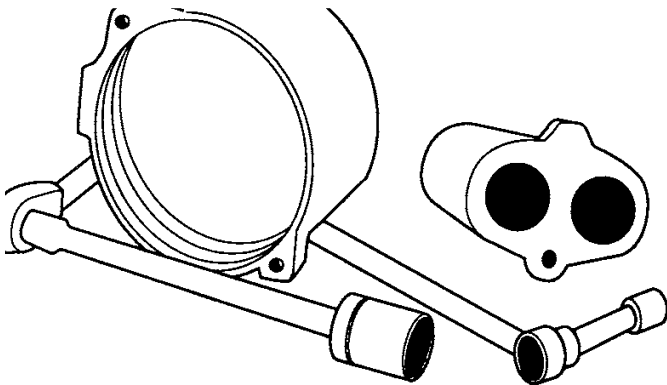


Figure 18 - Remove Nozzle

7. Remove the rotating assembly of the shaft seal.
8. The seal plate may now be removed.
9. Drive the ceramic stationary seal out with a 3/4" dowel.

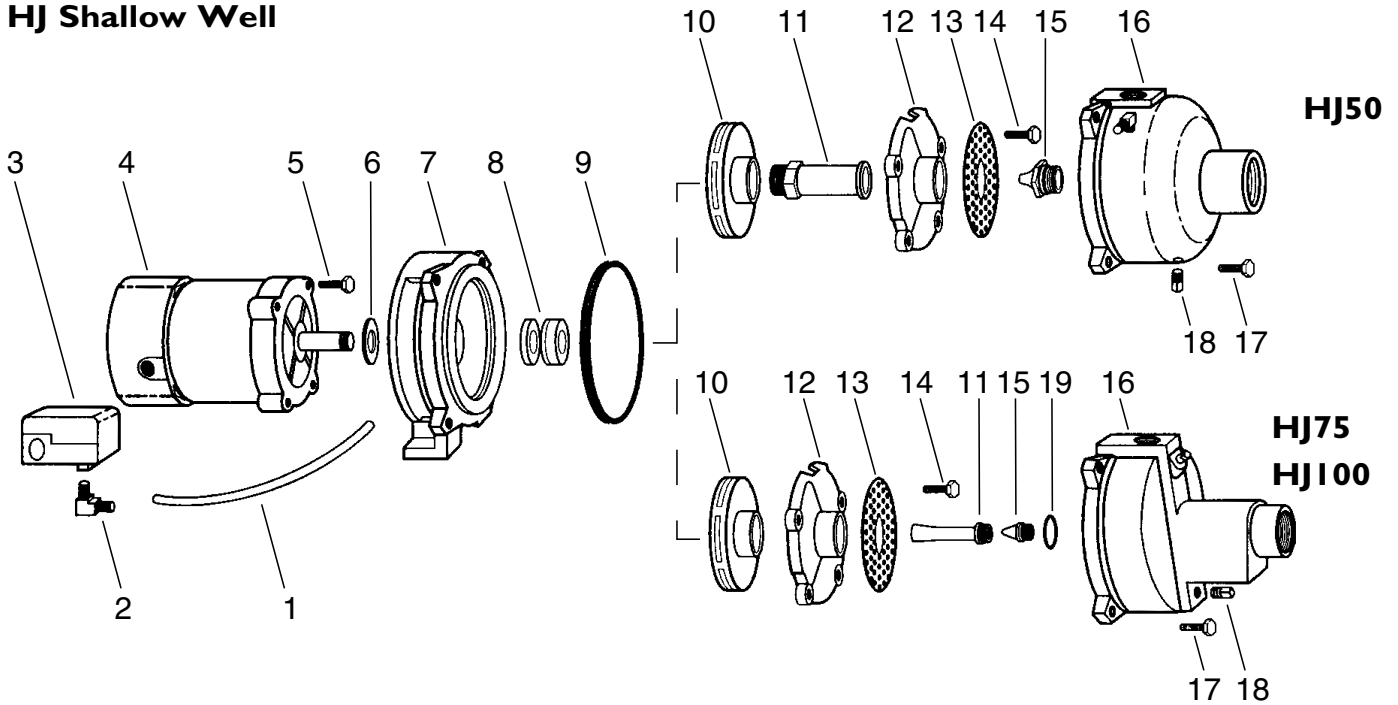
Replacing Mechanical Seal

Before handling shaft seal parts, make sure your hands are clean. Always replace both the ceramic stationary seal and the rotating assembly.

1. Clean the shaft and seal cavity with water.
2. Lubricate the seal cavity and the rubber cup of the ceramic stationary seal with soapy water.
3. Press the stationary ceramic seat into housing. Press in with fingers only.
4. Install seal plate on motor. Take care to not scratch ceramic seal.
5. Install rotating seal assembly on shaft, carbon ring toward ceramic seat, and press into position with fingers. The carbon face should be lubricated with soapy water.
6. Install the impeller. Tighten with a screwdriver holding the shaft.

All pumping parts of unit can be removed from case without disturbing well piping or tank piping.

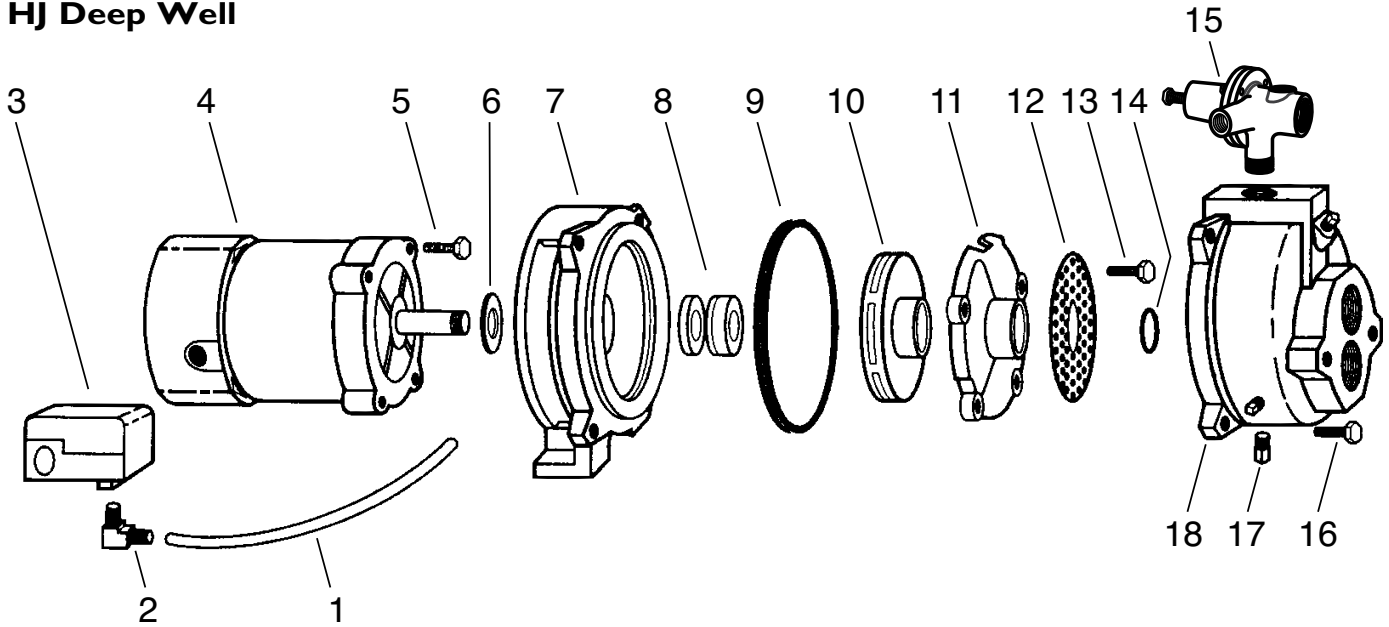
HJ Shallow Well



Ref.	Description	Qty.	HJ50S	HJ75S	HJ100S
1	Tubing	1		U37-677P	
2	Fitting, Barbed, Elbow	2		U111-212T	
3	Switch, Pressure, 30-50	1		U217-1216	
4	Motor	1	20924A000K	20934A000K	20935A000K
5	Screw, Cap 3/8-16 x 7/8	4		19101A008	
6	Slinger	1		05059A318	
7	Bracket	1	20936D001	20937D001	
8	Seal, Shaft	1		14525A000K	
9	Gasket	1	05014A157	05014A158	
10	Impeller, Plastic	1	16622B010	19195B004	19196B004
	Impeller, Brass		17682B003	19195B000	19196B000
11	Venturi	1	25886A500	25882A546	19199A001
12	Diffuser	1	12371B000K	14379B000K	14380B000K
13	Screen	1	13069B000	13069B002	
14	Screw, Cap 1/4-20 x 1	3	19099A012	19099A012	
15	Nozzle	1	12367A000	08546A004	
16	Case	1	18622D001	19197D000	
17	Screw, Cap 3/8-16 x 1-1/4	4	19101A020	-	
	Screw, Cap 7/16-14 x 1-1/2		-	19101A009	
18	Plug, Pipe, 1/4 HEX	2		05022A092	
19	O-Ring	1	-	05876A087	
Overhaul Parts Kit (Includes: 8, 9, 10, 11, 12, 15 and 19)*			PK50	PK75	PK100

*For plastic impeller models only

HJ Deep Well



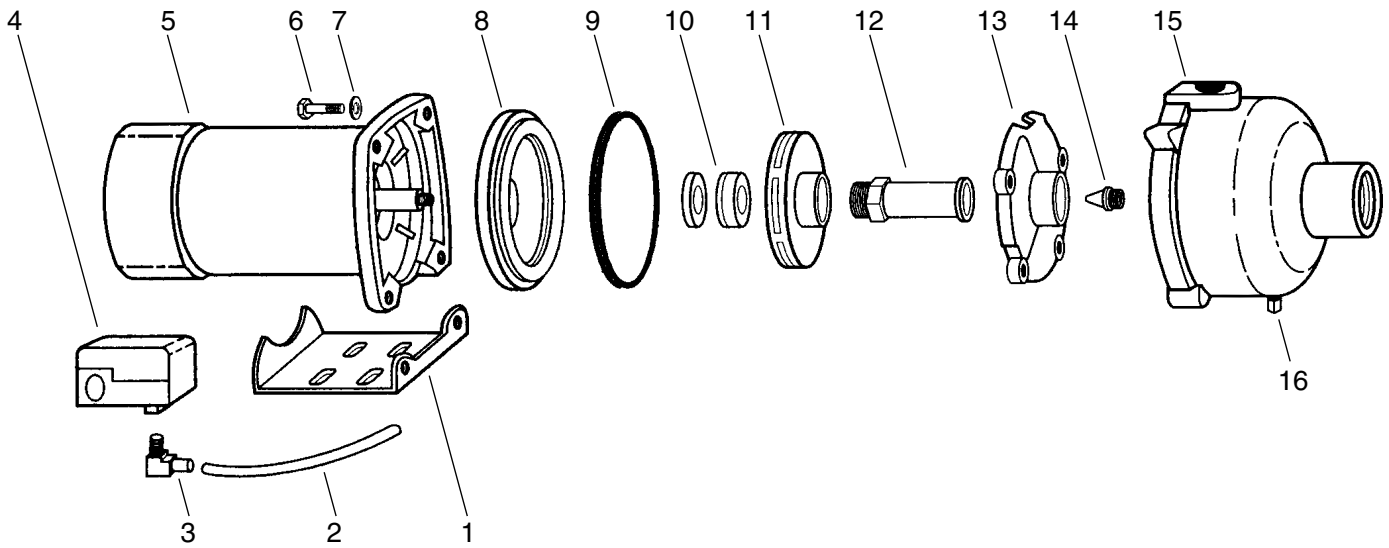
6723 1112

Ref.	Description	Qty.	HJ50D	HJ75D	HJ100D
1	Tubing	1		U37-677P	
2	Fitting, Barbed, Elbow	2		U111-212T	
3	Switch, Pressure, 30-50	1		U217-1216	
4	Motor	1	20924A000K	20934A000K	20935A000K
5	Screw, Cap 3/8-16 x 7/8	4	19101A008		
6	Slinger	1	05059A318		
7	Bracket	1	20936D001	20937D001	
8	Seal, Shaft	1	14525A000K		
9	Gasket	1	05014A157	05014A158	
10	Impeller, Plastic	1	16622B010	19195B004	19196B004
	Impeller, Brass		17682B003	19195B000	
11	Diffuser	1	12371B000K	14379B000K	14380B000K
12	Screen	1	13069B000	13069B002	
13	Screw, Cap 1/4-20 x 1	3	19099A012		
14	O-Ring	1	05876A003	05876A087	
15	Kit, Regulator	1	15285A014	15285A023	
16	Screw, Cap 3/8-16 x 1-1/4	4	19101A020		
	Screw, Cap 7/16-14 x 1-1/2		-	19101A009	
17	Plug, Pipe, 1/4 HEX	3	05022A092		
18	Case	1	18623D000	19198D000	
Overhaul Parts Kit (Includes: 8, 9, 10, 11, 12 and 14)*			PK50	PK75	PK100

*For plastic impeller models only

Kit includes shallow well nozzle and venture, not needed with the deep well models.

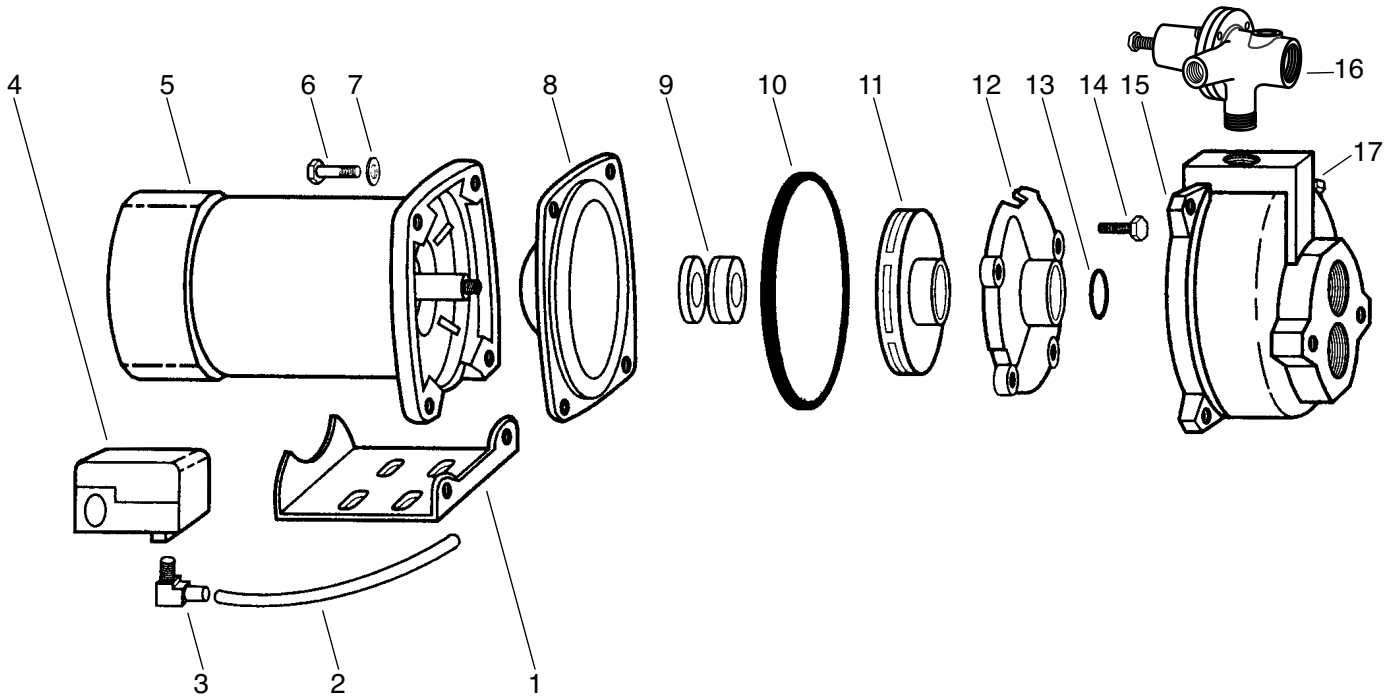
HR Shallow Well



Ref.	Description	Qty.	Part Number
1	Stand, Motor	1	25383B000
2	Tubing	1	U37-677P
3	Fitting, Barb, Elbow	2	U111-212T
4	Switch, Pressure	1	U217-1218
5	Motor	1	J218-590PKG
6	Screw, Cap	4	19101A022
7	Lockwasher	4	05454A007
8	Plate, Seal	1	24452C000
9	Gasket	1	05014A157
10	Seal, Shaft	1	14525A000K
11	Impeller, Plastic	1	16622B015
11	Impeller, Brass	1	17682B003
12	Venturi	1	25886A500
13	Diffuser	1	12371B000K
14	Nozzle	1	12367A000
15	Case	1	24357D000
16	Plug, Pipe 1/4 HEX	2	05022A092
Overhaul Parts Kit (Includes: 9, 10, 11, 12, 13 and 14)*			PK50

*For plastic impeller models only

HR Deep Well




Ref.	Description	Qty.	Part Number
1	Stand, Motor	1	25383B001
2	Tubing	1	U37-677P
3	Fitting, Barb, Elbow	2	U111-212T
4	Switch, Pressure	1	U217-1218
5	Motor	1	J218-590PKG
6	Screw, Cap	4	19101A022
7	Lockwasher	4	05454A007
8	Plate, Seal	1	24452C000
9	Seal, Shaft	1	14525A000K
10	Gasket	1	05014A157
11	Impeller, Plastic	1	16622B015
	Impeller, Brass		17682B003
12	Diffuser	1	12371B000K
13	O-Ring	1	05876A003
14	Screw, Cap	3	19099A023
15	Case	1	24358D000
16	Kit, Regulator	1	15285A033
17	Plug, Pipe 1/4 HEX	3	05022A092
Overhaul Parts Kit (Includes: 9, 10, 11, 12 and 13)*			PK50

*For plastic impeller models only
Kit includes shallow well nozzle and venture, not needed with the deep well models.

Directives de sécurité importantes

Conservez ces directives – Ce manuel renferme d'importantes directives qu'il faut suivre durant l'installation et l'entretien de la pompe.

Ce symbole  indique qu'il faut être prudent. Lorsque ce symbole apparaît sur la pompe ou dans cette Notice, rechercher une des mises en garde qui suivent, car elles indiquent un potentiel de blessures corporelles!

Le mot signal **DANGER** indique un danger qui, s'il n'est pas évité, *causera* la mort ou des blessures graves.

Le mot signal **AVERTISSEMENT** indique un risque qui, s'il n'est pas évité, *pourrait causer* la mort ou des blessures graves.

Le mot signal **ATTENTION** indique un risque qui, s'il n'est pas évité, *pourrait causer* des blessures mineures ou modérées.

Le mot **AVIS** est utilisé pour les pratiques qui ne sont pas reliées aux blessures personnelles.

Lire attentivement toutes les consignes de sécurité contenues dans cette Notice ou collées sur la pompe.

Garder les autocollants de sécurité en bon état; les remplacer s'ils manquent ou s'ils ont été endommagés.

Proposition 65 en Californie Avertissement


AVERTISSEMENT Ce produit ainsi que les accessoires reliés contiennent des produits chimiques reconnus par l'État de la Californie comme causant des cancers, des malformations congénitales, ou d'autres problèmes de reproduction.


 AVERTISSEMENT





Tension dangereuse. Risque de secousses électriques, de brûlures, voire de mort.

Mettre à la terre la pompe avant de la brancher sur le courant électrique. Couper l'arrivée de courant avant d'intervenir sur la pompe, sur le moteur ou sur le réservoir.

 Câbler le moteur en fonction de la bonne tension. Voir la Section «Électricité» de cette Notice et la plaque signalétique du moteur.

 Mettre à la terre le moteur avant de le brancher sur le courant électrique.

 Conforme au Code national de l'électricité, au Code canadien de l'électricité et aux codes municipaux pour tous les câblages.

 Respecter les instructions de câblage figurant dans cette Notice lorsque l'on branche le moteur sur une ligne haute tension.

Sécurité concernant l'électricité

AVERTISSEMENT La tension du condensateur peut être dangereuse. Pour décharger le condensateur du moteur, tenir un tournevis à manche isolé PAR LE MANCHE et mettre en court-circuit les bornes du condensateur. Ne pas toucher la lame métallique du tournevis ni les bornes du condensateur. En cas de doute, consulter un électricien qualifié.

Sécurité générale

ATTENTION Ne pas toucher un moteur qui fonctionne.

Les moteurs modernes sont conçus pour fonctionner par des températures élevées. Pour ne pas se brûler lorsque l'on interviendra sur la pompe, la laisser refroidir pendant 20 minutes après l'avoir arrêtée avant de la toucher.

Ne pas laisser geler la pompe ni aucun autre élément du système, sinon la garantie sera annulée.

Ne pomper que de l'eau avec cette pompe.


Périodiquement, inspecter la pompe et tous les éléments du système.


Toujours porter des lunettes de sécurité lorsque l'on intervient sur une pompe.

Garder la zone de travail propre, non encombrée et bien éclairée; tous les outils et tout l'équipement non utilisés doivent être entreposés correctement.

Ne pas laisser les visiteurs s'approcher de la zone de travail.

AVERTISSEMENT Le corps de la pompe peut exploser si la pompe est utilisée en tant que pompe de surpression, à moins qu'une soupape de sûreté pouvant laisser passer le débit maximum de la pompe à 75 lb/po² soit posée.



 AVERTISSEMENT

Pression dangereuse! Poser une soupape de sûreté sur le tuyau de refoulement.

Dissiper toute la pression du système avant d'intervenir sur un élément.

Garantie limitée

F.E. MYERS garantit au consommateur initial (ci-après appelé l'« Acheteur ») que les produits énumérés dans les présentes sont exempts de défaut de matériau et de fabrication pendant la durée de la garantie à compter de la durée des garanties indiquées ci-dessous.

Produits	Durée des garanties
Pompes à éjecteur, petites pompes centrifuges, pompes submersibles et tous les accessoires connexes	<i>Selon le premier terme atteint :</i> 12 mois à compter de la date de la première installation ou 18 mois à compter de la date de fabrication
Réservoirs en fibre de verre	5 ans à compter de la date de la première installation
Réservoirs sous pression en acier	5 ans à compter de la date de la première installation
Produits de puisard/d'égout/d'effluents	12 mois à compter de la date de la première installation ou 24 mois à compter de la date de fabrication

Nos garanties ne s'appliquent pas aux produits ayant fait l'objet de négligence, d'une mauvaise utilisation, d'une mauvaise installation ou d'un manque d'entretien adéquat. Sans aucune limitation des présentes, la garantie des moteurs triphasés submersibles sera nulle et non avenue si ces moteurs sont branchés et fonctionnent sur le courant monophasé par l'intermédiaire d'un déphaseur. Il faut également noter que les moteurs triphasés doivent être protégés par un relais de surcharge tripolaire thermocompensé à déclenchement extrêmement rapide du calibre recommandé, sinon la garantie sera nulle et non avenue.

Le seul recours de l'Acheteur et la seule responsabilité de F.E. MYERS consistent à réparer ou à remplacer (au choix de F.E. MYERS) les produits qui se révéleraient défectueux. L'Acheteur s'engage à payer tous les frais de main d'œuvre et d'expédition du produit couvert par sa garantie et de s'adresser au concessionnaire-installateur ayant procédé à l'installation dès qu'un problème est découvert pour obtenir un service sous garantie. Aucune demande de service en vertu de sa garantie ne sera acceptée après expiration de la durée de sa garantie. Ces garanties ne sont pas transférables.

F.E. MYERS DÉCLINE TOUTE RESPONSABILITÉ POUR TOUT DOMMAGE INDIRECT OU FORTUIT QUEL QU'IL SOIT.

LA GARANTIE LIMITÉE SUSMENTIONNÉE EST EXCLUSIVE ET REMPLACE TOUTES LES AUTRES GARANTIES EXPRESSES ET TACITES, Y COMPRIS, MAIS SANS S'Y LIMITER, LES GARANTIES DE QUALITÉ MARCHANDE ET D'ADAPTATION À UN USAGE PARTICULIER. LA GARANTIE LIMITÉE SUSMENTIONNÉE NE DOIT PAS ÊTRE PROLONGÉE AU-DELÀ DE LA DURÉE PRÉVUE AUX PRÉSENTES.

Certains états, territoires et certaines provinces ne permettent pas l'exclusion ou la limitation des dommages indirects ou fortuits, ni les limitations relatives à la durée des garanties tacites. Par conséquent, il se peut que les limitations ou les exclusions stipulées dans les présentes ne s'appliquent pas dans ce cas. Ces garanties accordent des droits juridiques précis, bien que l'on puisse bénéficier d'autres droits, selon la province, le territoire ou l'état dans lequel on réside.

La présente garantie limitée est entrée en vigueur le 1er juin 2011 et remplace toute garantie non datée ou antérieure à cette date.

F.E. MYERS

293 Wright Street, Delavan, WI 53115

Tél. : 888-987-8677 • Téléc. : 800-426-9446 • www.femyers.com

Au Canada : P. O. Box 9138, 269 Trillium Dr., Kitchener, Ontario N2G 4WS

Tél.: 519-748-5470 • Téléc.: 888-606-5484

Composants principaux et fonction

Réservoir et régulateur de volume d'air

Le réservoir remplit deux fonctions : (1) il agit en tant que réservoir d'eau, dont une certaine quantité est utilisée lorsqu'on ouvre les robinets de l'habitation avant que la pompe démarre; et (2) il maintient un coussin d'air sous pression.

Lorsqu'on utilise un **réservoir souple préchargé**, un régulateur de volume d'air n'est pas requis. Ce réservoir contient une précharge d'air isolée.

Lorsqu'on utilise un **autre type de réservoir**, un régulateur de volume d'air ajoute, lorsque nécessaire, de l'air dans le réservoir. Le régulateur d'air est branché sur le côté du réservoir et un tube de pression relie le régulateur d'air et le côté aspiration de la pompe.

Pressostat

Un pressostat est prévu pour le fonctionnement automatique. La pompe démarre lorsque la pression du système chute sous la pression de démarrage et s'arrête lorsque la pression du système atteint la pression de coupure.

Impulseur, éjecteur et régulateur de pression

L'impulseur de la pompe tourne avec l'arbre du moteur, ce qui cause une augmentation de la pression. La rotation de l'impulseur crée un vide, ce qui permet à l'eau d'être aspirée dans la pompe. Une partie de l'eau est déviée vers l'éjecteur, où elle passe de nouveau dans la buse et le venturi, créant un vide supplémentaire pour aspirer plus d'eau et l'envoyer à haute pression à l'impulseur.

Dans une **installation pour puits profond**, l'éjecteur est immergé dans le puits étant donné que la distance verticale jusqu'au niveau de l'eau est supérieure à la hauteur d'aspiration de la pompe. Le réglage du régulateur permet de rediriger la bonne quantité d'eau vers l'éjecteur pour un fonctionnement plus efficace.

Sur un **système pour puits peu profond**, le régulateur peut être utilisé pour limiter le débit d'eau si la pompe convertible a la capacité d'aspirer plus d'eau que ce que le puits peut produire.

Dans le cas d'un puits peu profond, l'éjecteur est directement fixé sur la pompe étant donné que le vide soulèvera l'eau jusqu'à la pompe.

Niveau d'eau du puits

Les systèmes d'eau pour puits peu profonds sont recommandés pour être utilisés dans les puits dont la profondeur est de 25 pieds ou moins après avoir additionné : (1) le dénivélé entre la pompe et le niveau d'eau du puits; (2) le rabattement dans le puits; et (3) le frottement dans le tuyau d'aspiration en pieds.

Emplacement

L'ensemble peut être installé, par rapport au puits, dans un endroit suffisamment grand pour permettre son installation et d'intervenir sur le puits. Un sous-sol sec, une fosse ou une salle de rangement représente un excellent choix lorsque la loi le permet. Se renseigner auprès des organismes étatiques et locaux afin de déterminer les restrictions locales applicables.

Puits

Avant de procéder à l'installation, le sable d'un puits neuf doit être pompé. Le sable endommage les pièces de la pompe et les joints. Le rabattement du puits ne doit pas dépasser la profondeur nominale maximale de la pompe, sinon le débit de la pompe chute et la pompe risque de se désamorcer.

AVIS Avant de procéder à l'installation d'une pompe neuve, il peut être nécessaire de traiter le puits avec du chlore. En ce qui concerne ces recommandations, s'adresser au bureau local du ministère de la Santé.

Tuyauterie

Des tuyaux en plastique sont montrés dans les illustrations. Si on le souhaite, on peut également utiliser des tuyaux galvanisés.

- La tuyauterie doit être propre et exempte de tous corps étrangers pour empêcher que l'éjecteur ne s'obstrue.
- Si l'endroit où la pompe est installée est déporté par rapport au puits, la tuyauterie doit être en légère pente montante, du puits vers la pompe. Des raccords union doivent être utilisés, le cas échéant.
- Prévoir l'installation d'un robinet de vidange à un point bas de la conduite de service pour vider le réservoir sous pression.

S'assurer que tous les raccords d'aspiration sont étanches. La principale cause d'un problème dans une nouvelle installation est la fuite d'un ou de plusieurs raccords de la conduite d'aspiration.

Étanchéité des raccords des tuyaux

N'utiliser que du ruban d'étanchéité en PTFE pour filetage à base de PTFE pour procéder à tous les raccords filetés sur la pompe. **Ne pas utiliser de pâte pour raccords filetés sur les pompes en plastique** : cette pâte peut réagir avec les éléments en plastiques de la pompe. S'assurer que tous les raccords du tuyau d'aspiration sont bien étanches, aussi bien à l'air qu'à l'eau. *Si le tuyau d'aspiration aspire de l'air, la pompe ne pompera pas l'eau du puits.*

Installation sur un puits peu profond

Se reporter à la figure 1 pour les installations types sur un puits peu profond.

1. Brancher le clapet de pied sur l'adaptateur du tuyau en plastique de 1 1/4 po. Coller l'adaptateur sur le tuyau en PVC rigide de 1 1/4 po. Tous les raccords doivent être étanches pour que la pompe fonctionne adéquatement.
2. Ajouter des longueurs de tuyau en PVC rigide et des raccords (selon le besoin) tout en abaissant le clapet de pied dans le puits. Jusqu'à 30 pieds de tuyau peuvent être nécessaires.
AVIS Enlever la crépine du clapet de pied annule la garantie.
3. Poser un joint d'étanchéité de puits par-dessus le tuyau en PVC rigide et dans le tubage du puits. Coller le coude en PVC de 1 1/4 po sur l'extrémité supérieur du tuyau à la bonne longueur afin de positionner le clapet de pied 5 pieds au-dessus du fond du puits. Prudemment, abaisser l'ensemble clapet de pied et tuyauterie dans le puits en utilisant des crochets de fixation pour retenir les tuyaux. Visser les boulons sur le joint d'étanchéité du puits jusqu'à ce que les joints en caoutchouc soient bien serrés contre le tubage du puits et le tuyau.
4. **Pompes de puits peu profonds** : Coller une extrémité du tuyau de 1 1/4 po dans le coude. Ajouter des longueurs pour atteindre la pompe. Le tuyau doit être en légère pente montante, du coude jusqu'à la pompe. Visser l'adaptateur de 1 1/4 po dans la pompe. Coller le tuyau horizontal dans l'adaptateur vissé dans la pompe.
- 4A. **Pompes convertibles** : Installer la buse et le venturi en plastique dans le corps de l'éjecteur. Immobiliser l'éjecteur du puits et le joint sur le tubage de la pompe avec les boulons fournis.
5. Installer le tube de pression entre le corps et le pressostat de la pompe.
6. Visser l'adaptateur en PVC de 1 1/4 po dans l'éjecteur de puits peu profond. Coller le tuyau horizontal dans l'adaptateur vissé dans l'éjecteur.

7. Avec une clé à tube, bien visser le té de refoulement dans le refoulement de la pompe.
8. Passer à la rubrique Électricité pour procéder aux connexions électriques décrites.
9. Après avoir terminé les travaux d'électricité et avant de raccorder la pompe au réservoir sous pression, il faut amorcer la pompe et effectuer un essai de fonctionnement. Pour l'amorçage, déposer la douille en haut du té de refoulement. Remplir la tuyauterie et la pompe d'eau jusqu'à ce que l'eau déborde du té. Reposer la douille et bien la resserrer pour qu'elle soit étanche. Poser le manomètre. Avant de démarrer la pompe, placer un grand seau ou tout autre récipient sous l'ouverture du clapet de non-retour.
10. Démarrer le moteur. Si la pompe est installée avec une conduite horizontale déportée de 4 pieds ou plus, plusieurs minutes peuvent être nécessaires avant qu'elle ne s'amorce. Si, après 5 minutes, la pompe ne s'amorce pas : (1) arrêter le moteur; (2) déposer le bouchon de refoulement et le manomètre; et (3) rajouter de l'eau.
11. Permettre à la pompe de se vider dans le contenant en lui laissant suffisamment de temps pour qu'elle vide le puits de tout le sable ou la saleté et pour être bien sûr que le puits ne manquera pas d'eau.
12. Arrêter la pompe et terminer les raccordements sur le réservoir sous pression, comme il est décrit sous Raccordements du réservoir. Laisser la pompe fonctionner automatiquement plusieurs fois pour vérifier le réglage du pressostat et son fonctionnement. S'assurer que le pressostat est réglé à une pression suffisamment basse pour arrêter la pompe. Si un robinet est fermé et que la pression du pressostat est réglée trop haute, la pompe continuera de fonctionner sans débiter d'eau, ce qui risque de faire surchauffer la pompe et de l'endommager.

AVIS Si la pompe est raccordée à un système d'arrosage de pelouse ou si elle est utilisée en tant que pompe d'irrigation, le pressostat DOIT être déposé et la pompe doit être directement câblée. S'assurer également qu'aucun réservoir sous pression n'est utilisé.

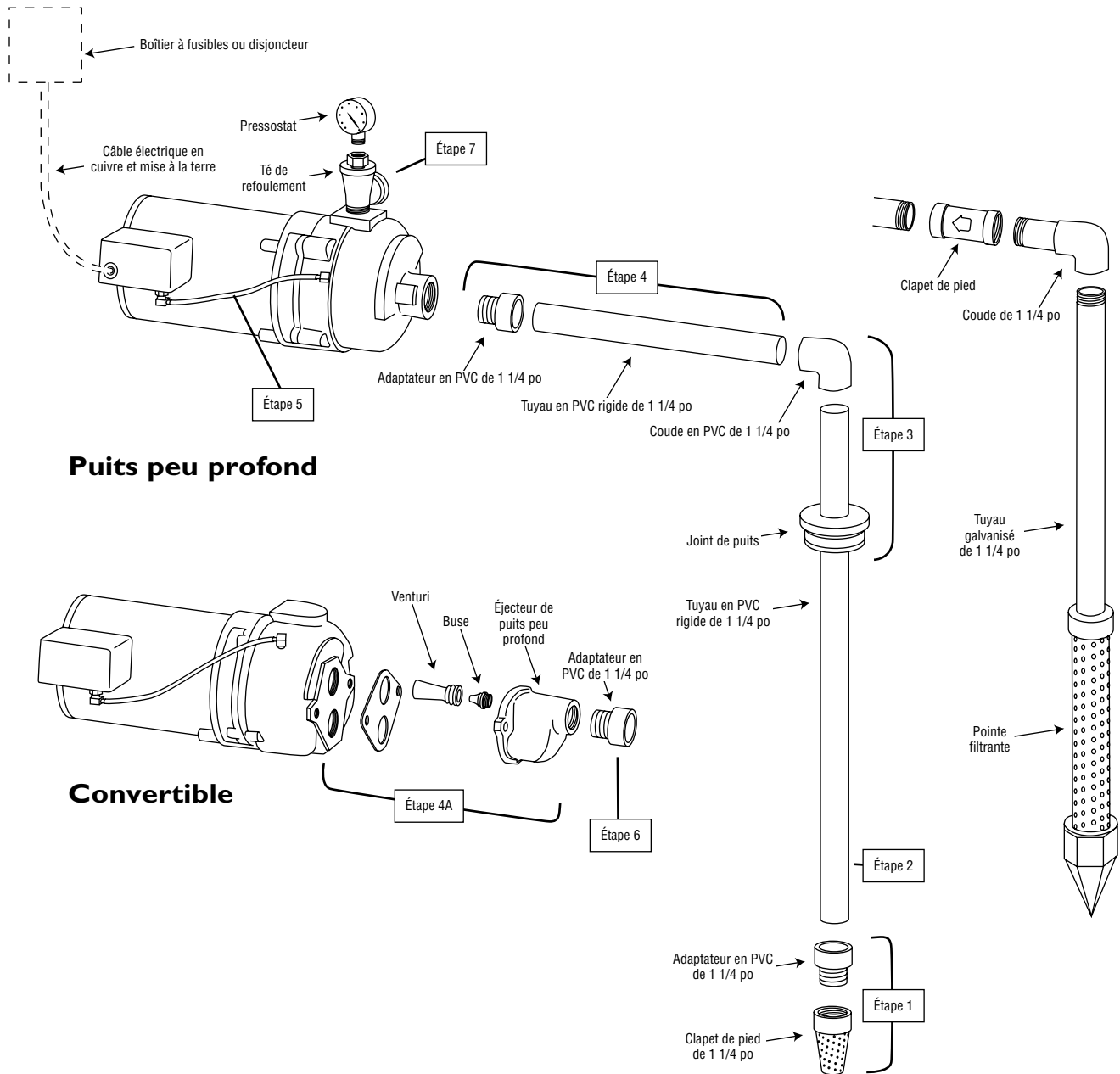


Figure 1 – Installation type d’une pompe sur un puits peu profond

Installation d’une pointe filtrante

Si une pointe filtrante est installée à la place d’un clapet de pied, suivre les instructions livrées avec la pointe filtrante. De plus :

- a. Ne pas installer de joint d’étanchéité.
- b. Installer deux clapets de non-retour : un côté puits de la pompe; un côté maison.

Raccordement du réservoir

Raccordement d'un réservoir préchargé

Si un réservoir préchargé est utilisé avec le système, celui-ci doit être raccordé sur la pompe comme il est indiqué à la figure 2. La soupape de décharge doit pouvoir laisser passer tout le débit de la pompe à une pression de 100 lb/po².

Avec un manomètre pour pneus, vérifier la précharge d'air dans le réservoir, laquelle se mesure lorsqu'il n'y a pas d'eau sous pression dans ce dernier. Couper l'alimentation électrique de la pompe, puis vider le réservoir avant de vérifier la précharge. La pompe comporte un pressostat 30/50 lb/po², de sorte que le réservoir préchargé doit être à 28 lb/po² (c'est-à-dire, que la pression doit être inférieure de 2 lb/po² à celle de la pression de coupure du pressostat).

Un régulateur de volume d'air n'est pas requis avec un réservoir préchargé; l'orifice du régulateur de volume d'air de 1/8 po NPT du corps de la pompe doit être bouché.

Raccordement à un réservoir standard

Si un réservoir standard est utilisé avec le système, le raccorder à la pompe comme il est illustré à la figure 3. La soupape de décharge utilisée avec un réservoir standard doit pouvoir laisser passer tout le débit de la pompe à une pression de 75 lb/po².

Raccorder le tube du régulateur de volume d'air sur l'orifice du régulateur de volume d'air de 1/8 po NPT du corps de la pompe. Passer le tube entre l'orifice du régulateur du volume d'air de la pompe et le régulateur de volume d'air du réservoir. Pour de plus amples détails, se reporter aux instructions livrées avec le réservoir et le régulateur de volume d'air.

AVIS Installer un clapet de non-retour entre la pompe et le réservoir peut causer des cycles de fonctionnement courts dans les conditions suivantes :

- a. Fuite du clapet de pied
- b. Longue conduite d'aspiration horizontale
- c. Air emprisonné dans la conduite d'aspiration
- d. Puits contenant de l'eau gazeuse

Pour résoudre ce problème, on peut :

- a. Enlever le clapet de non-retour.
- b. Déplacer le clapet de non-retour après le réservoir.
- c. Modifier le filetage du pressostat sur le té du réservoir.

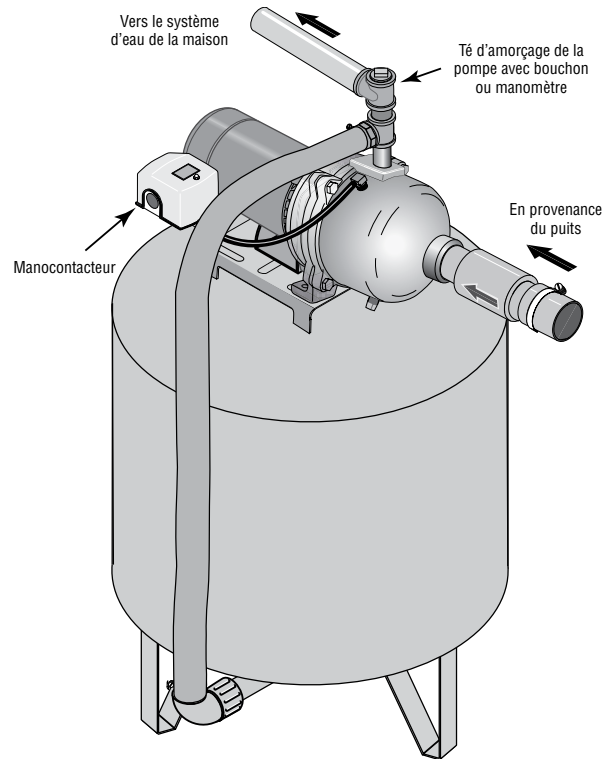


Figure 2 : Branchements sur un réservoir préchargé

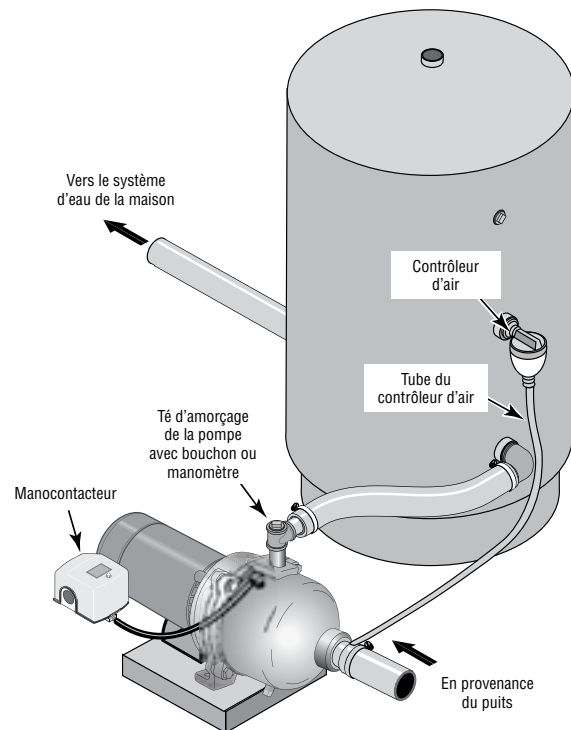


Figure 3 : Branchements sur un réservoir standard

Installation sur un puits profond

Se reporter à la figure 4 pour les installations types sur un puits profond.

1. Avant de procéder à l'installation, raccorder le clapet de pied au mamelon simple de diamètre correspondant. Raccorder l'ensemble mamelon et clapet de pied au fond du corps de l'injecteur. Raccorder ensuite la buse et le venturi en plastique à la partie supérieure du corps de l'éjecteur. Tous les raccordements doivent être étanches pour que la pompe fonctionne adéquatement.

2. **Dans le cas des pompes de 1/2 ch et de 3/4 et de 1 ch**, modèle HJA, brancher l'adaptateur en PVC de 1 po dans le corps de l'éjecteur. Installer ensuite l'adaptateur femelle en PVC de 1 1/4 sur le corps de l'éjecteur par-dessus le venturi en plastique.

2A. **Dans le cas des pompes de 3/4 et de 1 ch** (à l'exception de modèles HJA), poser un adaptateur femelle en PVC de 1 1/4 po sur le corps de l'éjecteur, par-dessus le venturi en plastique. Raccorder ensuite un mamelon de 1 1/4 po x 5 po dans le corps de l'éjecteur, suivi par un adaptateur femelle en PVC de 1 1/4 po.

Coller les tuyaux en PVC rigides dans les adaptateurs de tuyau du corps de l'éjecteur. Ajouter des longueurs de tuyau en PVC rigides et des raccords (selon le besoin) tout en abaissant l'éjecteur dans le puits et en utilisant des crochets de fixation de tuyau.

AVIS Enlever la crépine du clapet de pied annule la garantie.

Après avoir abaissé l'ensemble tuyaux et éjecteur dans le puits, poser le joint d'étanchéité de puits. Serrer les boulons du joint d'étanchéité du puits jusqu'à ce que les joints en caoutchouc soient bien serrés contre le tubage du puits et les deux tuyaux en plastique.

3. **Dans le cas des pompes de 1/2 ch et de 3/4 et de 1 ch**, modèle HJA, couper les tuyaux à la longueur requise afin de pouvoir positionner le clapet de pied à 5 pieds au-dessus du fond du puits. Couper le haut du tuyau de 1 po 2 po plus court que le tuyau de 1 1/4 po, comme il est illustré dans le schéma d'installation.

Coller le coude en PVC de 1 1/4 po et le coude en PVC de 1 po sur l'extrémité supérieur de chaque tuyau. Coller les tuyaux en PVC rigides horizontaux de 1 1/4 po et de 1 po sur les coudes. Visser l'adaptateur en PVC de 1 1/4 po dans l'orifice supérieur de la face de la pompe. Poser un mamelon de 1 po x 4 po dans l'orifice inférieur de la face de la pompe. Ajouter un adaptateur femelle en PVC de 1 po sur le mamelon. Couper le tuyau horizontal de 1 po 3 1/2 po plus court que le tuyau horizontal de 1 1/4 po. Coller les tuyaux horizontaux de 1 1/4 po et de 1 po sur ces adaptateurs. Les tuyaux horizontaux doivent être en légère pente montante des coudes vers la pompe.

3A. **Dans le cas des pompes de 3/4 et 1 ch** (à l'exception des modèles HJA), couper les tuyaux de façon à ce que le clapet de pied se trouve à 5 pieds au-dessus du fond du puits. Couper le haut du tuyau d'eau motrice 2 1/4 po plus court que le tuyau de refoulement, comme il est illustré dans le schéma d'installation. Coller des coudes en PVC sur chaque tuyau. Coller les tuyaux horizontaux en PVC rigides sur les coudes en haut du puits. Ajouter des longueurs de tuyau et des raccords (selon le besoin) pour procéder au raccordement à la pompe. Visser les adaptateurs en PVC de 1 1/4 po dans les orifices de la face de la pompe. Coller les tuyaux

rigides en PVC horizontaux dans les adaptateurs. Les tuyaux horizontaux doivent être en légère pente montante, des coudes vers la pompe.

4. Poser le régulateur de pression dans la sortie du refoulement de la pompe. Poser les raccords et les tubes entre le pressostat et le régulateur de pression. Poser le manomètre dans le régulateur de pression.

AVIS Installer un clapet de non-retour entre la pompe et le réservoir peut causer des cycles de fonctionnement courts dans les conditions suivantes :

- a. Fuite du clapet de pied
- b. Longue conduite d'aspiration horizontale
- c. Air emprisonné dans la conduite d'aspiration
- d. Puits avec de l'eau gazeuse

Pour résoudre ce problème, on peut :

- a. Enlever le clapet de non-retour.
 - b. Déplacer le clapet de non-retour derrière le réservoir.
 - c. Modifier le filetage du pressostat sur le té du réservoir.
5. Passer à la rubrique *Électricité* et procéder aux connexions électriques décrites.
6. Après avoir terminé les travaux d'électricité et avant de raccorder la pompe au réservoir sous pression, il faut amorcer la pompe et effectuer un essai de fonctionnement. Pour amorcer la pompe, déposer la douille qui se trouve en haut du té de refoulement. Remplir la tuyauterie et la pompe d'eau jusqu'à ce que l'eau déborde du té. Reposer la douille et bien la resserrer pour qu'elle soit étanche. Poser le manomètre. Avant de démarrer la pompe, placer un grand seau ou tout autre récipient sous l'ouverture du clapet de non-retour.
7. Démarrer le moteur. Bien visser la vis de réglage du régulateur. Si la pompe est correctement amorcée, une pression élevée sera immédiatement indiquée sur le manomètre. Si aucune pression n'est obtenue : (1) arrêter le moteur; (2) déposer le bouchon d'amorçage; et (3) rajouter de l'eau. Pendant que la pompe fonctionne à pression élevée, dévisser lentement la vis de réglage du régulateur jusqu'à ce que le débit maximal de l'eau soit obtenu sans que la pression chute à zéro. Si la pression ne chute pas complètement, serrer de nouveau la vis de réglage du régulateur, puis veiller à ce qu'un fonctionnement stable soit obtenu en vissant ou en dévissant celle-ci, le cas échéant. La pression stable, qui sera la pression de fonctionnement, ne doit pas être inférieure à la valeur indiquée ici.

Pression de fonctionnement (deux tuyaux, puits profond)		
1/2 ch	3/4 ch	1 ch
24 lb/po ²	26 lb/po ²	32 lb/po ²

8. Laisser la pompe se vider dans le contenant en lui laissant suffisamment de temps pour qu'elle vide le puits de tout le sable ou de toute la saleté et pour être bien sûr que le puits ne manquera pas d'eau.
9. Arrêter la pompe et terminer les raccords sur le réservoir sous pression, comme il est décrit sous *Raccordement du réservoir*. Laisser la pompe fonctionner automatiquement plusieurs fois pour vérifier le réglage du pressostat et le fonctionnement. S'assurer que le pressostat est réglé à une pression suffisamment basse pour arrêter la pompe. Si un robinet est fermé et que la pression du pressostat est réglée trop haute, la pompe continuera de fonctionner sans débiter d'eau, ce qui risque de faire surchauffer la pompe et de l'endommager.

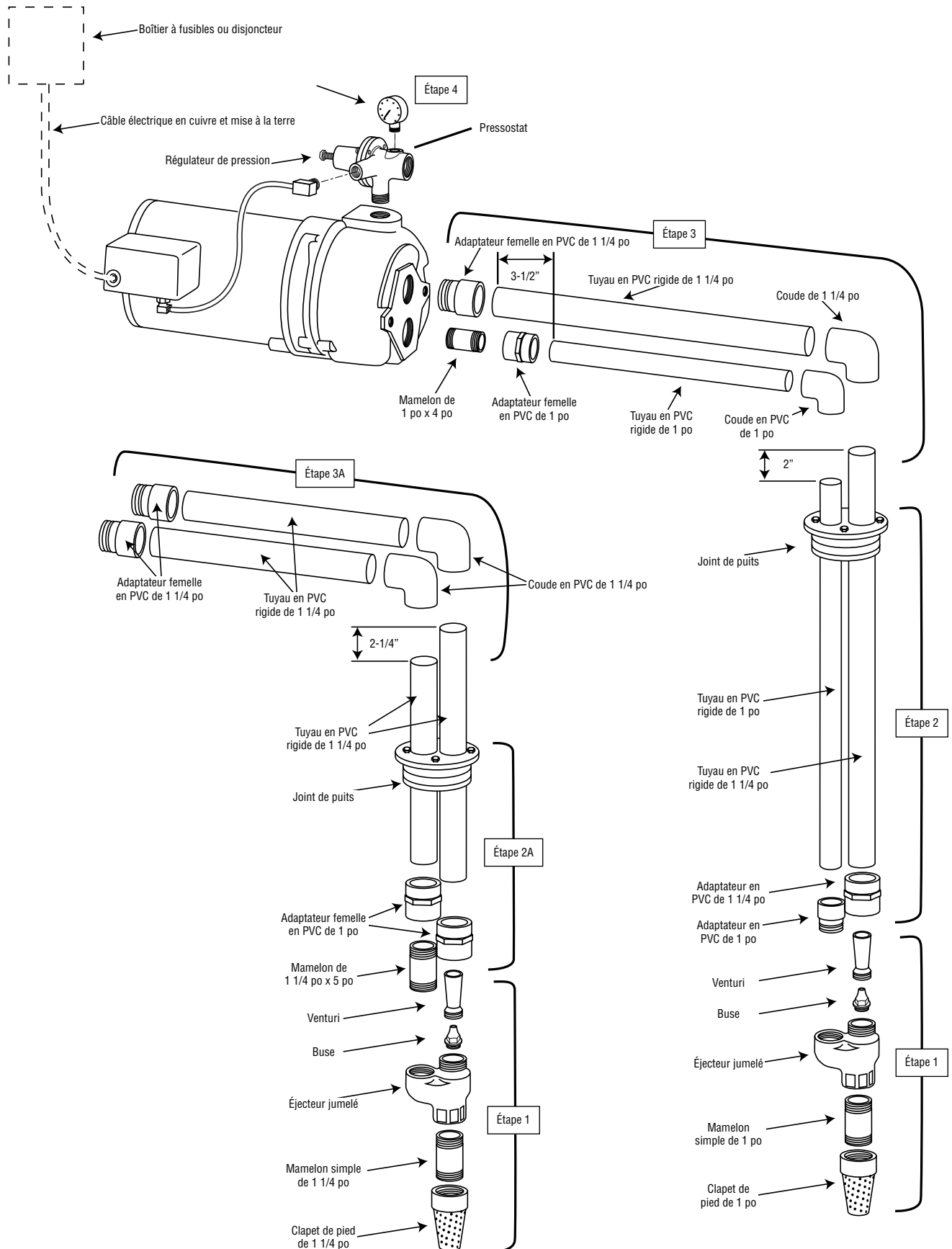


Figure 4 – Installation type d'une pompe sur un puits profond

Installation d'une pompe à éjecteur Packer sur un puits profond

Se reporter à la Figure 5 pour les installations types des éjecteurs Packer pour puits profond.

1. Commencer l'installation dans un tubage de puits d'un diamètre de 2 po en fixant le clapet de pied à la partie inférieure du corps de l'éjecteur Packer. Déposer le raccord en laiton qui se trouve sur le dessus de l'éjecteur. Raccorder ensuite la buse et le venturi en plastique sur le dessus du corps de l'éjecteur Packer. Reposer le raccord en laiton par-dessus le venturi. Tous les raccords doivent être étanches pour que la pompe fonctionne adéquatement.
 2. Visser l'adaptateur en PVC de 1 po sur le raccord en laiton. Coller le tuyau rigide en PVC de 1 po sur l'adaptateur du tuyau.
 3. Prudemment, abaisser l'ensemble pompe et éjecteur Packer dans le puits, en ajoutant des longueurs de tuyau en PVC rigides et des raccords selon le besoin. Couper le tuyau rigide en PVC de 1 po à la longueur requise de façon à positionner l'éjecteur Packer au moins 5 pieds au-dessus du fond du tubage du puits.
- AVIS** Enlever la crépine du clapet de pied annule la garantie.
4. Raccorder un mamelon de 1 po x 8 po dans l'adaptateur du puits Packer. Raccorder un adaptateur femelle en PVC de 1 po dans le mamelon.
 5. Glisser la plaque de compression de l'adaptateur Packer et le joint de compression par-dessus le tuyau rigide en PVC. Coller l'adaptateur de tuyau rigide femelle en PVC de 1 po sur l'extrémité du tuyau rigide en PVC.
 6. Poser les 3 écrous et les 3 boulons et les serrer alternativement pour visser l'adaptateur Packer sur la plaque de compression et les rendre étanches sur le tubage du puits.
 7. Si on le désire, la pompe peut être directement boulonnée dans l'adaptateur de puits. Si la pompe est directement branchée sur l'adaptateur, ne pas tenir compte de l'opération 8.

8. **Pour les pompes de 1/2 ch et de 3/4 et 1 ch**, modèle HJA, visser les adaptateurs en PVC de 1 1/4 po dans l'adaptateur Packer. Coller la douille en PVC de 1 1/4 po x 1 po dans l'adaptateur inférieur.

Coller les tuyaux horizontaux en PVC rigides de 1 1/4 po et de 1 po dans l'adaptateur en PVC et la douille. Ajouter des longueurs de tuyau et des raccords (selon le besoin) pour le raccordement à la pompe. Étant donné les différences entre les distances au centre, ces tuyaux différeront légèrement en longueur.

Visser l'adaptateur en PVC de 1 1/4 po dans l'ouverture supérieure de la face de la pompe. Brancher le mamelon de 1 po x 4 po dans l'ouverture inférieure de la face de la pompe. Ajouter l'adaptateur femelle en PVC de 1 po sur le mamelon. Couper le tuyau horizontal de 1 po 3 1/2 po plus court que le tuyau horizontal de 1 1/4 po. Coller les tuyaux horizontaux de 1 1/4 po et de 1 po dans ces adaptateurs. Les tuyaux horizontaux doivent être en légère pente montante de l'adaptateur Packer vers la pompe.

- 8A. **Pour les pompes de 3/4 et de 1 ch** (à l'exception des modèles HJA), visser les adaptateurs en PVC de 1 1/4 po dans l'adaptateur Packer. Coller les tuyaux horizontaux en PVC rigide dans les adaptateurs de tuyau. Ajouter des longueurs de tuyau et des raccords (selon le besoin) pour le raccordement à la pompe. Visser les adaptateurs en PVC de 1 1/4 po dans les orifices de la face de la pompe. Coller les tuyaux horizontaux en PVC rigides dans les adaptateurs. Les tuyaux horizontaux doivent être en légère pente montante de l'adaptateur Packer vers la pompe.

Autres opérations : Pour terminer l'installation, procéder aux opérations 4 à 9 sous Installation sur un puits profond.

AVIS En raison des irrégularités normales du cuir de la coupelle d'étanchéité et de la paroi intérieure du tubage, les éjecteurs Packer ne formeront pas une étanchéité parfaite. Dans un système dormant, la pression se dissipera avec le temps, causant le fonctionnement périodique de la pompe de façon à maintenir le niveau de pression du système.

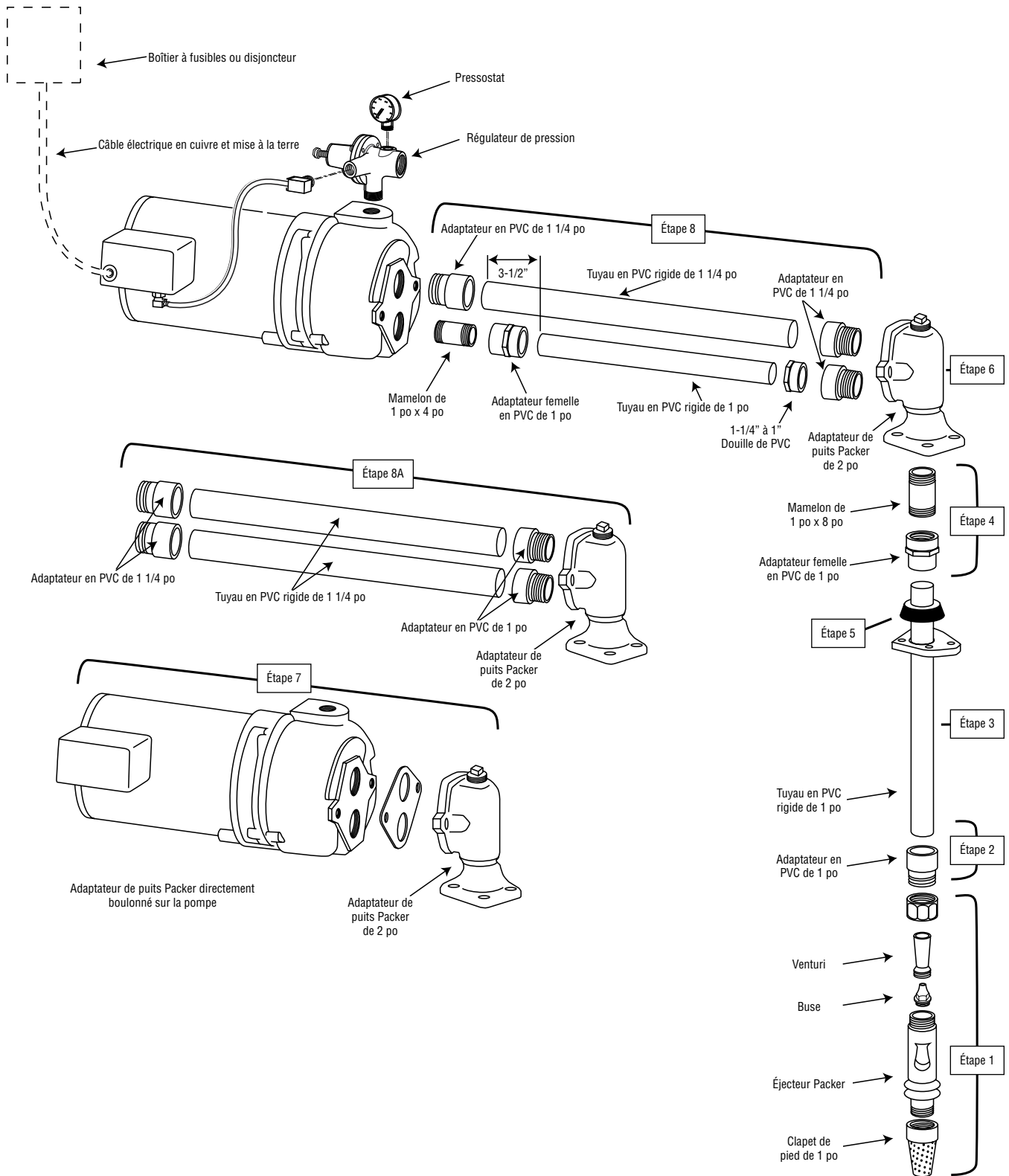


Figure 5 – Installation type d'un Packer sur un puits profond

⚠ AVERTISSEMENT Risque de secousses électriques. Pouvant causer des brûlures, voire la mort. Avant d'intervenir sur la pompe, le moteur, le pressostat ou le câblage, couper l'alimentation électrique.

Réglages du contacteur du moteur

AVIS Les moteurs de 1/2 ch sont des moteurs bitension. Ils sont réglés à l'usine pour fonctionner sur le courant de 115 V. Les moteurs de 3/4 et de 1 ch sont également des moteurs bitension, mais ils sont réglés à l'usine pour fonctionner sur le courant de 230 V. La boîte à bornes du moteur (logée sous le couvercle d'extrémité du moteur) devrait ressembler à celle illustrée ci-dessous. Pour régler le moteur de façon à ce que la tension corresponde à celle de la source d'alimentation électrique, se reporter aux instructions.

⚠ AVERTISSEMENT Risque de secousses électriques. Pouvant causer des brûlures, voire la mort. Ne jamais brancher un moteur réglé pour fonctionner sur le courant de 115 V sur une alimentation de 230 V.

Sélecteur de tension à fiche

Tension réglée à 230 V. Pour régler celle-ci à 115 V :

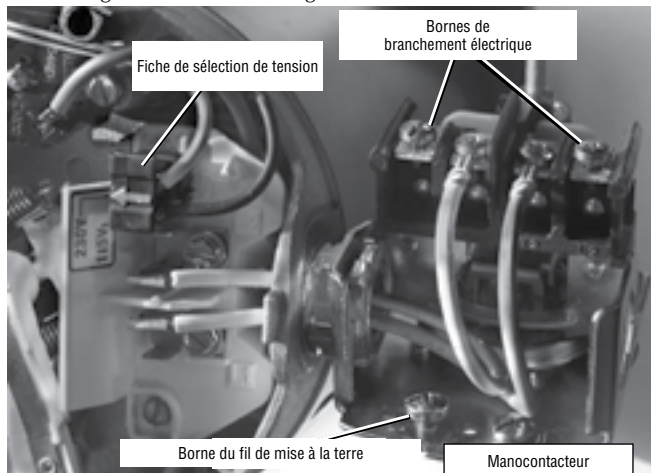


Figure 6 - Tension réglée à 230 V sur sélecteur à fiche

1. S'assurer que l'alimentation électrique est coupée.
2. Sortir la fiche de changement de tension des pattes.
3. Déplacer la fiche de changement de tension sur la position 115 V. La fiche couvre maintenant les 2 pattes métalliques et la flèche de la fiche doit s'aligner sur la flèche 115 V de l'étiquette (voir la figure 7).



Figure 7 - Tension réglée à 115 V sur sélecteur à fiche

4. Brancher les deux conducteurs d'entrée sur les deux vis extérieures du pressostat, comme il est illustré à la figure 6.
5. Brancher le fil de mise à la terre sur une des connexions de mise à la terre, comme il est illustré à la figure 6.
6. S'il y a d'autres fils, les couvrir avec des capuchons de connexion.
7. Reposer la flasque du moteur et les couvercles du pressostat.

Sélecteur de tension à cadran

Tension réglée à 230 V. Pour régler celle-ci à 115 V :

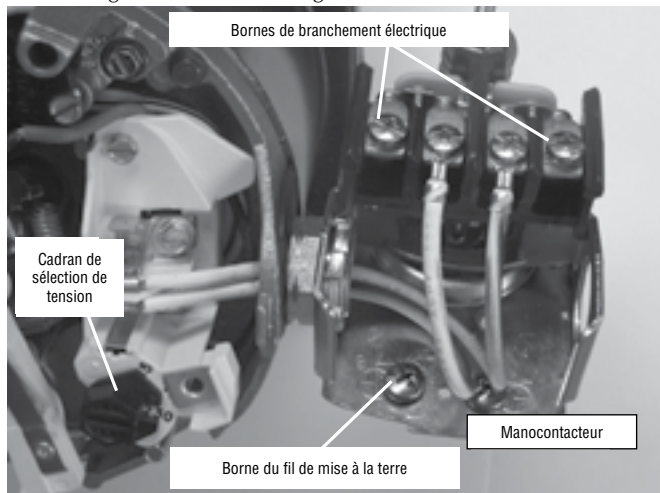


Figure 8 - Tension réglée à 230 V sur sélecteur à cadran

1. S'assurer que l'alimentation électrique est coupée.
2. Utiliser une clé à fourche de 1/2 po pour tourner le cadran dans le sens contraire des aiguilles d'une montre jusqu'à ce que 115 s'affiche dans la fenêtre du cadran, comme il est illustré à la figure 9.
3. Brancher les deux conducteurs d'entrée sur les deux vis extérieures du pressostat, comme il est illustré à la figure 8.



Figure 9 - Tension réglée à 115 V sur sélecteur à cadran

4. Brancher le fil de mise à la terre sur une des connexions de mise à la terre, comme il est illustré à la figure 8.
5. S'il y a d'autres fils, les couvrir avec des capuchons de connexion.
6. Reposer l'extrémité du moteur et les couvercles du pressostat.

⚠ AVERTISSEMENT Risque de secousses électriques. Pouvant causer des brûlures, voire la mort. Brancher le fil de mise à la terre avant de rebrancher les fils d'alimentation en courant. Utiliser des fils du diamètre spécifié dans le tableau de câblage (y compris le fil de mise à la terre). Dans la mesure du possible, brancher la pompe sur un circuit de dérivation séparé sur lequel aucun autre appareil n'est branché.

⚠ AVERTISSEMENT Risque d'explosion. Ne pas mettre à la terre sur une conduite de gaz.

Connexions des fils

⚠ AVERTISSEMENT Risque d'incendie. Une mauvaise tension peut provoquer un incendie ou sérieusement endommager le moteur, ce qui annule la garantie. La tension d'alimentation doit correspondre à $\pm 10\%$ de la tension indiquée sur la plaque signalétique du moteur.

AVIS Les moteurs bitension peuvent être réglés à une tension de 115 V ou de 230 V. Au besoin, régler le moteur sur la tension désirée, comme il est illustré. Ne pas modifier le câblage d'un moteur à une seule tension.

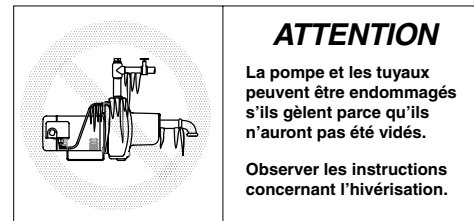
Brancher la mise à la terre, les câbles et maintenir la pompe en conformité avec le Code national de l'électricité ou le Code canadien de l'électricité, le cas échéant, et avec tous les codes et règlements de la municipalité en vigueur. Consulter un inspecteur en bâtiment pour tout renseignement concernant les codes.

Procédure de connexion

1. Brancher tout d'abord le fil de mise à la terre, comme il est illustré à la figure 6. Ce dernier doit être en cuivre massif et son diamètre équivalent celui des fils d'alimentation en courant ou plus grand.
2. Il doit y avoir une connexion métallique massive entre le pressostat et le moteur pour la protection de la mise à la terre du moteur. Si le pressostat n'est pas installé sur le moteur, relier la vis verte de mise à la terre du pressostat à la vis verte

de mise à la terre se trouvant sous le couvercle d'extrémité du moteur au moyen d'un fil en cuivre massif dont le diamètre est équivalent à celui des fils d'alimentation en courant ou plus grand.

3. Brancher le fil de mise à la terre sur un fil mis à la terre du panneau de service, sur un tuyau d'eau métallique enterré, un tubage de puits métallique ayant au moins 3 m (10 pi) de long ou une électrode de mise à la terre fournie par la compagnie d'électricité ou le fournisseur d'électricité.
4. Brancher les fils d'alimentation en courant sur le pressostat, comme il est illustré à la figure 6. La pompe doit être branchée sur un circuit électrique de dérivation séparé venant directement du boîtier à fusibles ou du panneau des disjoncteurs.



Hivernisation de la pompe

Pour préparer la pompe en vue de l'hiver :

1. Couper l'alimentation électrique de la pompe.
2. Purger la pression du système. Ouvrir un robinet et le laisser ouvert jusqu'à ce que l'eau cesse de couler.
3. Vidanger la pompe. Elle peut comporter un bouchon de vidange séparé. Déposer ce bouchon et laisser l'eau couler. Il peut y avoir un bouchon ou un raccord sur le côté de la pompe. Déposer ce bouchon ou ce raccord et laisser la pompe se vider. Une petite quantité d'eau restera dans la pompe. Cette eau ne posera aucun danger si elle gèle.

Tableau de câblage : Diamètre des fils et calibre des fusibles recommandés

Tension	ch	Ampères à charge maximale	Ampères nominaux du fusible de dérivation	Distance en pieds (mètres); calibre américain des fils (mm ²)				
				0-100 (0-30)	101-200 (31-61)	201-300 (62-91)	301-400 (92-122)	401-500 (123-152)
115 Volts:	1/2	9.4	15	14 (2)	10 (5.5)	10 (5.5)	6 (14)	4 (21)
		12.2	20	12 (3)		8 (8.4)		
	14.8	25			10 (5.5)	6 (14)		
	19.2		4 (21)					
230 Volts:	1/2	4.7	15	14 (2)	14 (2)	14 (2)	12 (3)	10 (5.5)
		6.1				12 (3)		
	7.4	12 (3)						
	9.6					10 (5.5)		

Ces renseignements sont publiés pour vérifier les installations des pompes à injecteur qui ne fonctionnent pas adéquatement. Elles sont fondées en supposant que le système installé se compose d'une pompe à éjecteur puisant l'eau d'un puits dont le niveau de l'eau est plus bas que la pompe et que cette dernière pompe l'eau dans un réservoir de stockage sous pression.

⚠ AVERTISSEMENT **Risque de secousses électriques.** Pouvant causer des brûlures, voire la mort. Pour se prémunir contre les blessures corporelles, le courant électrique alimentant la pompe doit être coupé lorsque l'on procède aux vérifications électriques. Toutefois, il y a des exceptions évidentes et le personnel de service doit prendre toutes les précautions nécessaires contre les risques de secousses électriques.

Problème	Vérifications
Puits peu profond	
La pompe ne s'amorce pas.	Arrêter le moteur, déposer le bouchon d'amorçage et faire le plein d'eau du corps de la pompe.
	S'assurer que la conduite de section ne présente aucune fuite et qu'elle est graduellement inclinée de la pompe vers le puits, sans point haut ni bas.
	S'assurer que l'arbre de la pompe tourne dans le sens des aiguilles d'une montre lorsque l'on regarde par l'extrémité opposée du moteur.
	S'assurer que le venturi ou que la buse n'est pas bouché.
	S'assurer que le clapet de pied ne repose pas dans le sable ni dans la boue et qu'il n'est pas coincé en position fermée.
La pompe pompe de l'eau pendant un certain temps, puis s'arrête de pomper.	S'assurer que le niveau de l'eau dans le puits ne chute pas plus bas que le clapet de pied. Utiliser un testeur de niveau d'eau pendant que la pompe fonctionne.
	S'assurer que la buse ou le tube du venturi n'est pas usé ou obstrué.
	S'assurer que les pièces de l'impulseur ne sont pas obstruées.
La pompe ne débite pas comme prévu.	Vérifier la buse et le venturi à la recherche d'usure ou d'obstructions partielles.
	Sur les modèles de 3/4 et de 1 ch, s'assurer que le joint torique du diffuseur est en place.
	Vérifier le manomètre. Il peut être défectueux, ce qui entraîne des erreurs de lecture.
Le moteur surchauffe, puis s'arrête (surcharge).	S'assurer que le moteur est adéquatement câblé en fonction de la tension d'alimentation.
	S'assurer que les fils sont du bon diamètre.
	S'assurer que l'impulseur ne frotte pas contre le corps de la pompe.
Le moteur est tombé en panne ou ne fonctionne pas adéquatement.	Si ces pièces sont toujours sous garantie, retourner l'ensemble pompe et moteur au lieu d'achat (avec la preuve d'achat) pour qu'il soit réparé ou échangé, le cas échéant.

Problème	Vérifications
Puits profond	
La pompe ne s'amorce pas.	Arrêter le moteur, déposer le bouchon du corps du régulateur de pression et le remplir d'eau le corps de la pompe.
	Si la pompe est déportée, vérifier la tuyauterie horizontale à la recherche de points bas ou hauts. Le tuyau doit avoir une pente montante graduelle du puits vers la pompe.
	Vérifier le niveau d'eau dans le puits pour s'assurer que l'éjecteur est immergé.
	Vérifier les tuyauteries et la pompe à la recherche de fuites.
	Démonter la pompe pour confirmer que le joint torique du diffuseur est correctement positionné.
	S'assurer que le moteur fonctionne dans le bon sens de rotation : dans le sens des aiguilles d'une montre lorsqu'on le regarde du côté opposé de l'arbre.
	Sortir la tuyauterie du puits, puis vérifier l'éjecteur pour s'assurer que la buse ou le venturi n'est pas obstrué.
	S'assurer que le clapet de pied ne repose pas dans le sable ou la boue.
La pompe pompe de l'eau pendant un certain temps, puis s'arrête de pomper.	S'assurer que le niveau de l'eau dans le puits ne chute pas plus bas que le clapet de pied. Utiliser un testeur de niveau d'eau pendant que la pompe fonctionne.
	S'assurer que le régulateur est adéquatement réglé, en particulier au fur et à mesure que l'eau est pompée du puits. Le régulateur doit être réglé pour assurer une pression de fonctionnement minimale au rabattement maximal du niveau de l'eau.
	Sortir la tuyauterie du puits, puis vérifier l'éjecteur pour s'assurer que la buse ou le venturi n'est pas obstrué.
La pompe débite de l'eau, mais ne déclenche pas le pressostat.	L'eau du puits peut baisser sous les limites de l'éjecteur. Vérifier le niveau de l'eau avec un testeur pendant que la pompe fonctionne.
	S'assurer que le tube qui relie le pressostat au régulateur de pression n'est pas bouché.
	S'assurer que le pressostat n'est pas défectueux.
	S'assurer que le goulot de l'impulseur n'est pas bouché.
La pompe ne débite pas la capacité nominale.	S'assurer que le joint torique du diffuseur est correctement positionné.
	Vérifier la hauteur de refoulement du puits. Utiliser un testeur de niveau d'eau pendant que la pompe fonctionne.
	Vérifier la profondeur d'immersion de l'éjecteur. Si l'éjecteur est installé à plus de 10 pieds au-dessous du niveau de pompage, la capacité est réduite en raison de l'augmentation du frottement dans la tuyauterie.
	La pression de service est peut-être trop élevée. Régler le régulateur à la pression minimale de fonctionnement, selon la puissance de la pompe.
Le moteur surchauffe, puis s'arrête (surcharge).	Sortir la tuyauterie et vérifier l'éjecteur pour s'assurer qu'il est du bon calibre et vérifier le réglage de la profondeur.
	S'assurer que le moteur est adéquatement câblé en fonction de la tension d'alimentation.
	S'assurer que les fils sont du bon diamètre.
Le moteur est tombé en panne ou ne fonctionne pas adéquatement.	S'assurer que l'impulseur ne frotte pas contre le corps de la pompe.
	Si ces pièces sont toujours sous garantie, retourner l'ensemble pompe et moteur au lieu d'achat (avec la preuve d'achat) pour qu'il soit réparé ou échangé, le cas échéant.

⚠ AVERTISSEMENT **Risque de secousses électriques.** Pouvant causer des brûlures, voire la mort. Pour se prémunir contre les blessures corporelles, le courant électrique alimentant la pompe doit être coupé et le réservoir sous pression doit être vidé avant d'intervenir sur la pompe.

Modèles HJ et HJA

Démontage (Modèles HJ et HJA pour puits profond)

1. Couper l'alimentation électrique et purger la pression dans le réservoir avant de démonter la pompe.
2. Déposer le tube du pressostat ainsi que les boulons du carter de la pompe et les boulons des pieds du support.
3. Mettre un tournevis derrière les oreilles des boulons, puis séparer le support du moteur du carter.
4. Déposer les vis des boulons de la plaque du diffuseur, puis sortir le diffuseur (figure 10). Pour remplacer un diffuseur, utiliser trois cales de 0,010 po d'épaisseur équidistantes entre l'œillard de l'impulseur et le diffuseur pour éviter les frottements avec le diffuseur et les grippages.

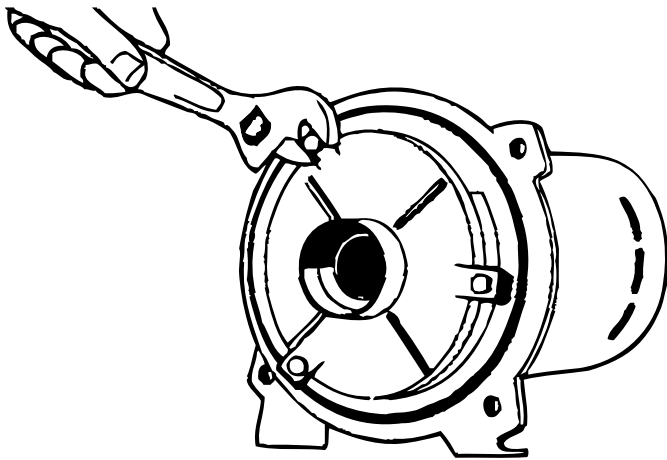


Figure 10 – Dépose de la plaque du diffuseur

5. Déposer l'impulseur en immobilisant l'arbre de la pompe avec une paire de pinces pour pompe à eau, puis dévisser l'impulseur en le tournant dans le sens contraire des aiguilles d'une montre en faisant face à ce dernier pour le déposer (figure 11). L'impulseur peut également être déposé en dégageant le couvercle d'extrémité de l'arbre du moteur. Mettre le tournevis dans la fente qui se trouve à l'extrémité du moteur et l'immobiliser pour empêcher la rotation de l'arbre. Dévisser l'impulseur en le tournant dans le sens contraire des aiguilles d'une montre. S

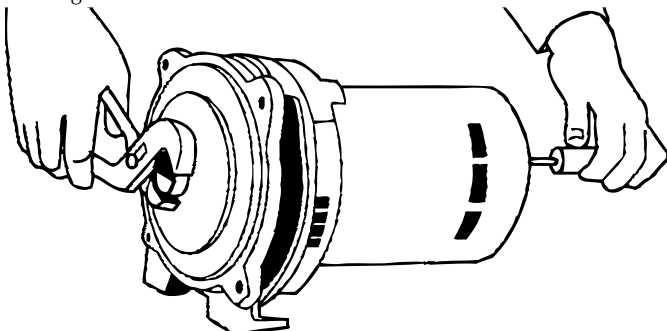


Figure 11 – Dépose de l'impulseur

6. À l'aide de deux tournevis, comme il est illustré à la figure 12, dégager l'ensemble rotatif du joint de l'arbre.

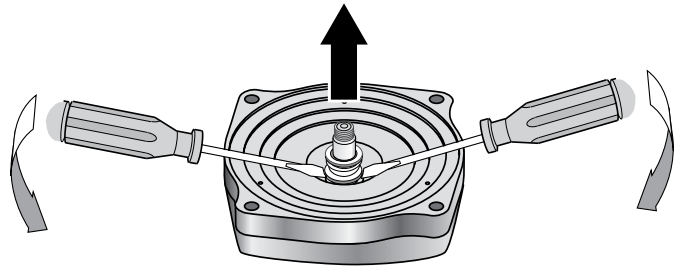


Figure 12 – Dégagement du joint

7. L'arbre de la pompe est un prolongement de l'arbre du moteur; il n'est donc pas nécessaire de remplacer ni de régler la position du joint.
8. Déposer les 4 boulons de fixation du moteur sur le support, puis déposer le moteur.

Démontage (modèle HJ pour puits peu profond)

1. Couper l'alimentation électrique et purger la pression dans le réservoir avant de démonter la pompe.
2. Déposer les boulons du corps, puis dégager le support du corps de la pompe.
3. Déposer la crépine et la plaque du diffuseur en plastique. Pour remplacer un diffuseur, utiliser trois cales de 0,010 po d'épaisseur équidistantes entre l'œillard de l'impulseur et le diffuseur pour éviter les frottements avec le diffuseur et les grippages.
4. Sur les modèles de 1/2 ch, immobiliser l'impulseur avec des pinces, puis dévisser le tube du venturi. Sur les modèles de 3/4 et de 1 ch, le tube du venturi est vissé dans le corps de la pompe (figure 13).

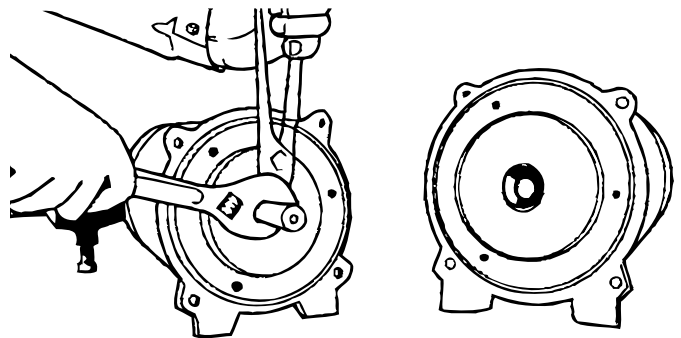


Figure 13 – Dépose du venturi

5. Immobiliser l'arbre de la pompe avec des pinces, puis dévisser la roue comme il est illustré (figure 11).
6. Lorsque l'impulseur est remplacé, limer les « morsures » pouvant avoir été laissées par la pince sur l'arbre après le serrage.
7. La crépine d'amorçage doit être positionnée en orientant le creux vers le bas. CECI EST IMPORTANT POUR UN AMORÇAGE ADÉQUAT. NE PAS OUBLIER DE REPOSER CETTE CRÉPINE.
8. La buse des modèles de 1/2 ch se dépose du carter de la pompe avec n'importe quelle clé à douille de 1 1/4 po et une rallonge (figure 14).

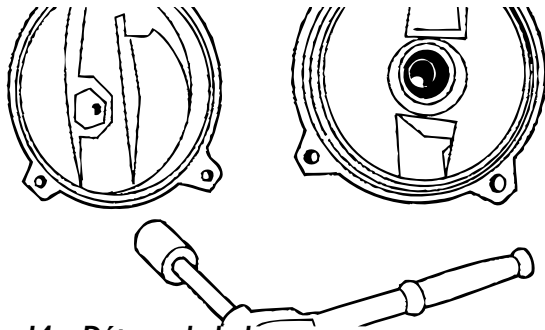


Figure 14 – Dépose de la buse

Sur les modèles de 3/4 et de 1 ch, le tube du venturi et la buse peuvent être déposés de la même manière à l'aide d'une douille de 27/32 po pour le venturi et d'une douille de 9/16 de po et d'une rallonge pour la buse.

9. Lorsque l'on remplace la douille et le venturi, s'assurer qu'ils sont bien serrés contre l'épaulement. Faire bien attention de ne pas fausser les filets. Si la buse n'est pas complètement engagée dans le corps, le débit est obstrué par l'entrée du venturi.
10. Déposer les 4 boulons de fixation du moteur sur le support, puis déposer le moteur.

Remplacement du joint mécanique

1. Le diamètre du joint utilisé sur tous les modèles HJ est de 5/8 po.
2. Ce joint est en deux parties :
 - a. Un ensemble rotatif, un ressort en acier inoxydable, une douille motrice avec bague en caoutchouc et une bague d'étanchéité en carton.
 - b. Bague d'étanchéité en céramique fixe montée dans une coupelle en caoutchouc synthétique.
3. Toujours remplacer l'ensemble rotatif et le siège en céramique. **NE PAS UTILISER UN SIÈGE FIXE AYANT DÉJÀ SERVI AVEC UN JOINT ROTATIF NEUF.**
4. Les anciennes bagues en céramique peuvent être déposées du corps à l'aide d'un burin ou d'un tournevis sans avoir à déposer l'arbre de la pompe.
5. Le corps et l'arbre doivent être nettoyés et débarrassés de tout sable et de toute saleté avant de poser un joint neuf. Nettoyer les pièces à l'eau propre.
6. Placer le siège en céramique fixe dans le corps. Ne pousser dessus qu'avec les doigts.
7. Poser l'ensemble rotatif sur l'arbre, la bague en carbone étant orientée vers le siège en céramique, puis le pousser en position avec les doigts.
8. La moindre saleté sur les surfaces du joint peut provoquer une panne. Toutes les pièces de l'unité peuvent être déposées du carter sans avoir à débrancher la tuyauterie du puits ou celle du réservoir.

Modèles HR

Démontage (Modèle HR pour puits profond)

1. Couper l'alimentation électrique et purger la pression dans le réservoir avant de démonter la pompe.
2. Déposer le tube du pressostat ainsi que les 4 vis d'assemblage, puis séparer le carter de la pompe de la plaque d'étanchéité.

3. Déposer les 3 vis d'assemblage qui retiennent le diffuseur sur la plaque d'étanchéité, puis déposer le diffuseur. Pour remplacer un diffuseur, utiliser trois cales de 0,010 po d'épaisseur équidistantes entre l'œillard de l'impulseur et l'ouverture du diffuseur afin de centrer le diffuseur et empêcher l'impulseur de frotter (figure 15).

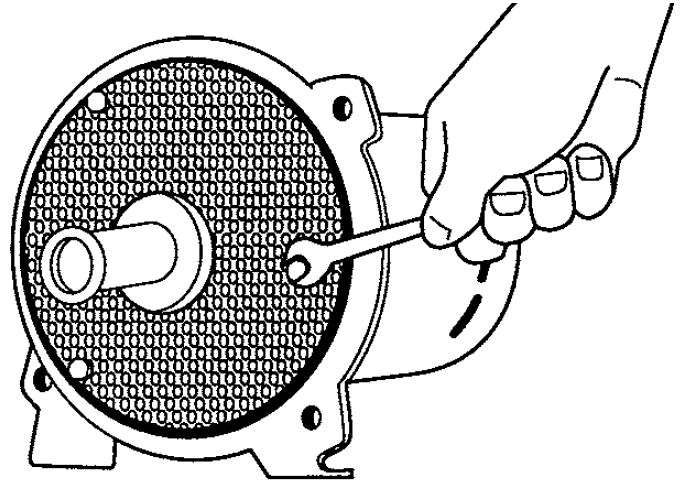


Figure 15 – Dépose du diffuseur

4. Déposer l'impulseur en immobilisant l'arbre de la pompe avec un tournevis placé dans l'extrémité fendue de l'arbre du moteur, puis tourner l'impulseur dans le sens contraire des aiguilles d'une montre (figure 16).

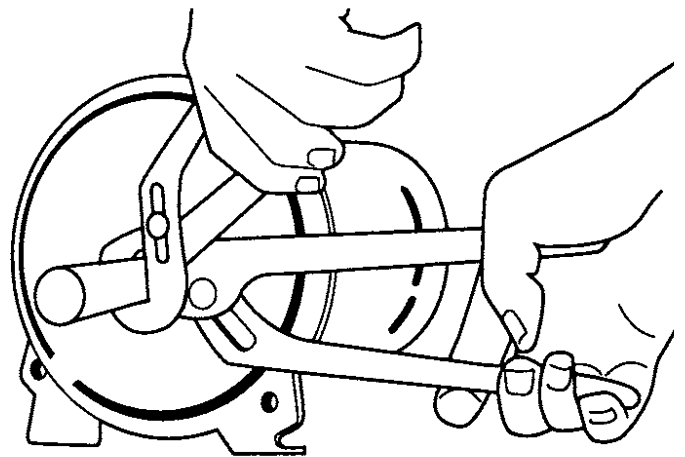


Figure 16 – Dépose de la roue

5. Déposer l'ensemble rotatif du joint de l'arbre.
6. La plaque d'étanchéité peut maintenant être déposée.
7. Le joint fixe en céramique peut être chassé à l'aide d'une goupille de 3/4 de po.

Démontage (Modèle HR puits peu profond)

1. Couper l'alimentation électrique et purger la pression dans le réservoir avant de démonter la pompe.
2. Déposer le tube du pressostat ainsi que les 4 vis d'assemblage, puis séparer le carter de la pompe de la plaque d'étanchéité.

3. Déposer les 3 vis d'assemblage retenant le diffuseur sur la plaque d'étanchéité, puis déposer le diffuseur. Pour remplacer un diffuseur, utiliser trois cales de 0,010 po d'épaisseur équidistantes entre l'œilillard de l'impulseur et l'ouverture du diffuseur afin de centrer le diffuseur et empêcher l'impulseur de frotter (Figure 16).
4. Sur les modèles de 1/2 ch, dévisser le tube du venturi de l'impulseur. Sur les modèles de 3/4 et de 1 ch, le tube de venturi est vissé dans le carter de la pompe (Figure 17).

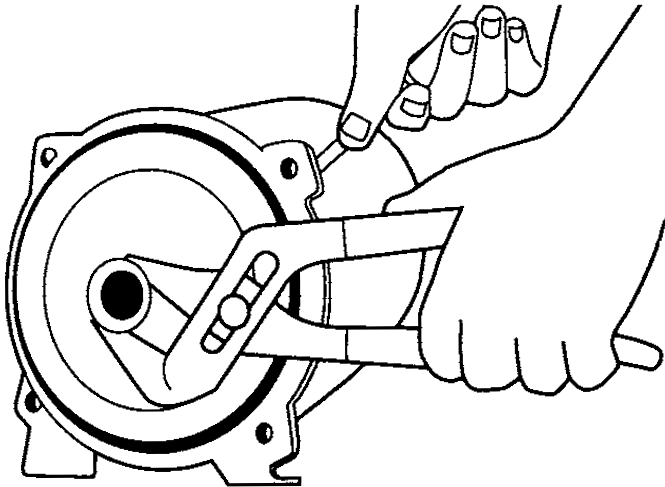


Figure 17 – Dépose du venturi

5. Déposer la roue en immobilisant l'arbre de la pompe avec un tournevis placé dans l'extrémité fendue de l'arbre du moteur, puis tourner l'impulseur dans le sens contraire des aiguilles d'une montre.
6. La buse des modèles de 1/2 ch se dépose du carter de la pompe avec n'importe quelle clé à douille de 1 1/4 po et une rallonge (figure 18). Sur les modèles de 3/4 et de 1 ch, la buse fait partie du corps de la pompe. Pour remplacer la buse et le venturi, s'assurer qu'ils sont serrés contre l'épaulement. Faire bien attention de ne pas fausser les filets. Si la buse n'est pas complètement engagée dans le corps, le débit est bloqué par l'entrée du venturi.

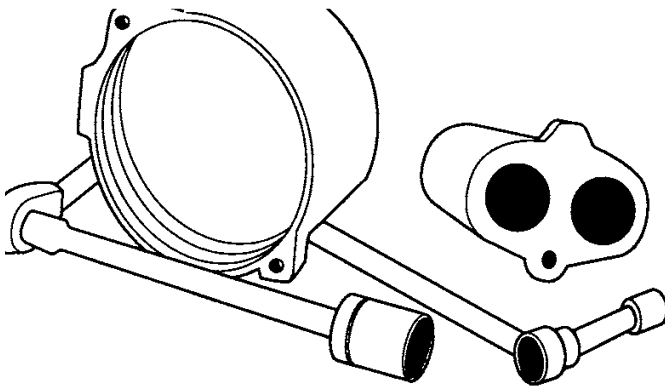


Figure 18 – Dépose de la buse

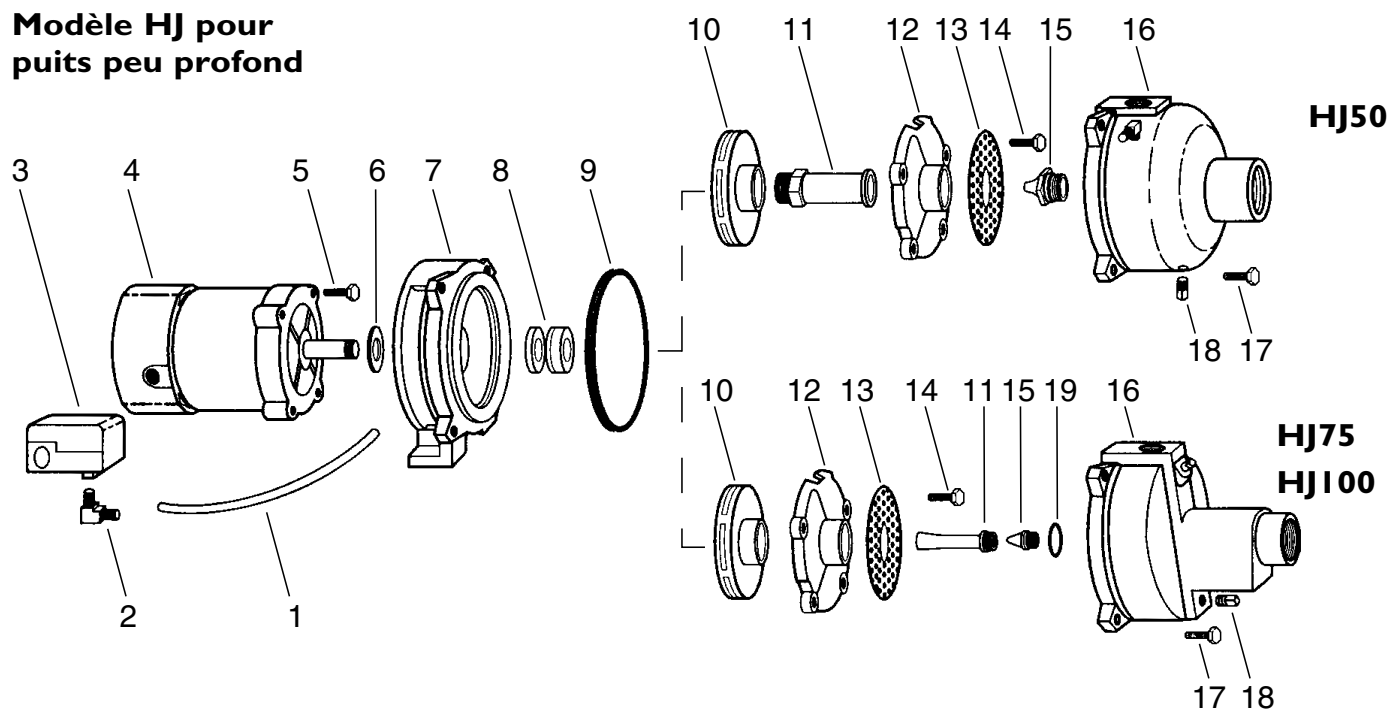
7. Déposer l'ensemble rotatif du joint de l'arbre.
8. La plaque d'étanchéité peut maintenant être déposée.
9. Le joint fixe en céramique peut être chassé à l'aide d'une goupille de 3/4 de po.

Remplacement du joint mécanique

Avant de manipuler les pièces d'étanchéité de l'arbre, s'assurer que l'on a les mains bien propres. Toujours remplacer le joint en céramique fixe et l'ensemble rotatif.

1. Nettoyer l'arbre et la cavité du joint avec de l'eau.
2. Lubrifier la cavité du joint et la coupelle en caoutchouc du joint fixe en céramique avec de l'eau savonneuse.
3. Pousser le siège en céramique fixe dans le corps. Ne le pousser qu'avec les doigts.
4. Poser la plaque d'étanchéité sur le moteur. S'assurer qu'elle ne raye pas le joint en céramique.
5. Poser l'ensemble du joint rotatif sur l'arbre, la bague en carbone étant orientée vers le siège en céramique, puis pousser l'ensemble en position avec les doigts. La surface en carbone doit être lubrifiée avec de l'eau savonneuse.
6. Reposer l'impulseur. La serrer pendant que l'arbre est immobilisé avec un tournevis. Toutes les pièces de l'unité de pompage peuvent être déposées du carter sans avoir à déposer la tuyauterie du puits ou celle du réservoir.

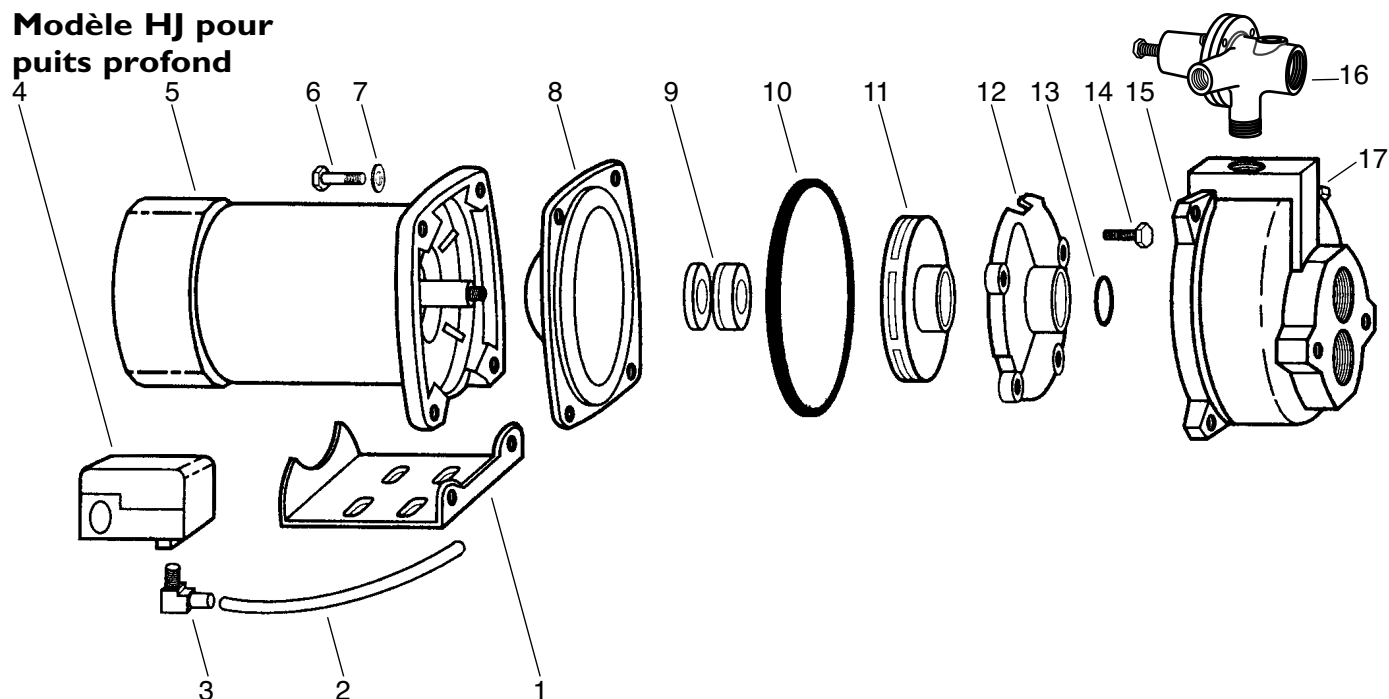
Modèle HJ pour puits peu profond



Ref.	Désignation	Qté.	HJ50S	HJ75S	HJ100S
1	Tube	1	U37-677P		
2	Raccord, cannelé, coude	2	U111-212T		
3	Pressostat, 30-50	1	U217-1216		
4	Moteur	1	20924A000K	20934A000K	20935A000K
5	Vis d'assemblage de 3/8-16 x 7/8	4	19101A008		
6	Défecteur	1	05059A318		
7	Support	1	20936D001	20937D001	
8	Joint d'arbre	1	14525A000K		
9	Joint	1	05014A157	05014A158	
10	Impulseur en plastique	1	16622B010	19195B004	19196B004
	Impulseur en laiton		17682B003	19195B000	19196B000
11	Venturi	1	25886A500	25882A546	19199A001
12	Diffuseur	1	12371B000K	14379B000K	14380B000K
13	Crépine	1	13069B000	13069B002	
14	Vis d'assemblage de 1/4-20 x 1	3	19099A012	19099A012	
15	Diffuseur	1	12367A000	08546A004	
16	Carter	1	18622D001	19197D000	
17	Vis d'assemblage de 3/8-16 x 1 1/4	4	19101A020	-	
	Vis d'assemblage de 7/16-14 x 1 1/2		-	19101A009	
18	Bouchon HEX 1/4	2	05022A092		
19	Joint torique	1	-	05876A087	
Trousse de pièces de remise en état de la pompe (Contient les pièces 8, 9, 10, 11, 15 et 19)*			PK50	PK75	PK100

*Pour les modèles avec turbine en plastique seulement

Modèle HJ pour puits profond

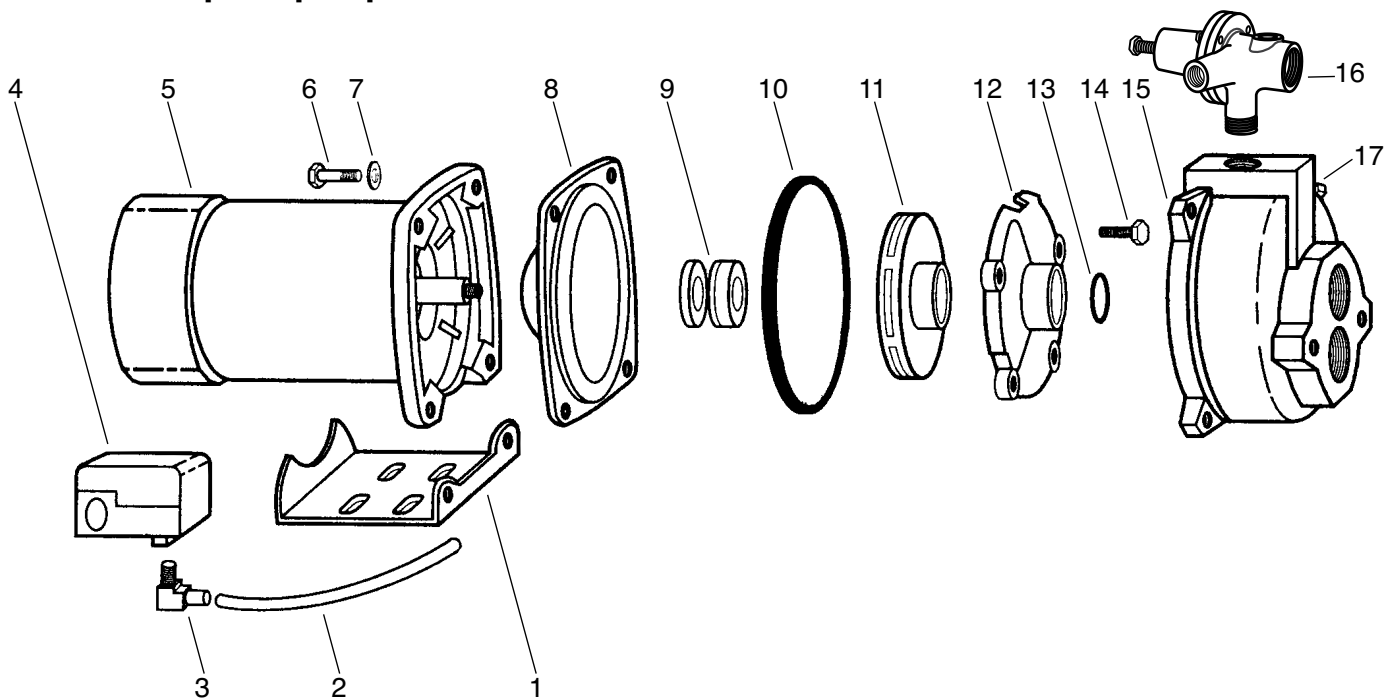


Ref.	Désignation	Qté.	HJ50D	HJ75D	HJ100D
1	Tube	1		U37-677P	
2	Raccord, cannelé, coude	2		U111-212T	
3	Pressostat, 30-50	1		U217-1216	
4	Moteur	1	20924A000K	20934A000K	20935A000K
5	Vis d'assemblage de 3/8-16 x 7/8	4		19101A008	
6	Défecteur	1		05059A318	
7	Support	1	20936D001	20937D001	
8	Joint d'arbre	1		14525A000K	
9	Joint	1	05014A157	05014A158	
10	Impulseur en plastique	1	16622B010	19195B004	19196B004
	Impulseur en laiton		17682B003	19195B000	
11	Diffuseur	1	12371B000K	14379B000K	14380B000K
12	Crépine	1	13069B000	13069B002	
13	Vis d'assemblage de 1/4-20 x 1	3		19099A012	
14	Joint torique	1	05876A003	05876A087	
15	Trousse de régulateur	1	15285A014	15285A023	
16	Vis d'assemblage de 3/8-16 x 1 1/4	4	19101A020	-	
	Vis d'assemblage de 7/16-14 x 1 1/2		-	19101A009	
17	Bouchon HEX 1/4	3		05022A092	
18	Carter	1	18623D000	19198D000	
Trousse de pièces de remise en état de la pompe (Contient les pièces 8, 9, 10, 11, 12 et 14)*			PK50	PK75	PK100

*Pour les modèles avec turbine en plastique seulement

La trousse contient une buse et un venturi pour puits peu profond, non requis pour les modèles de puits profond.

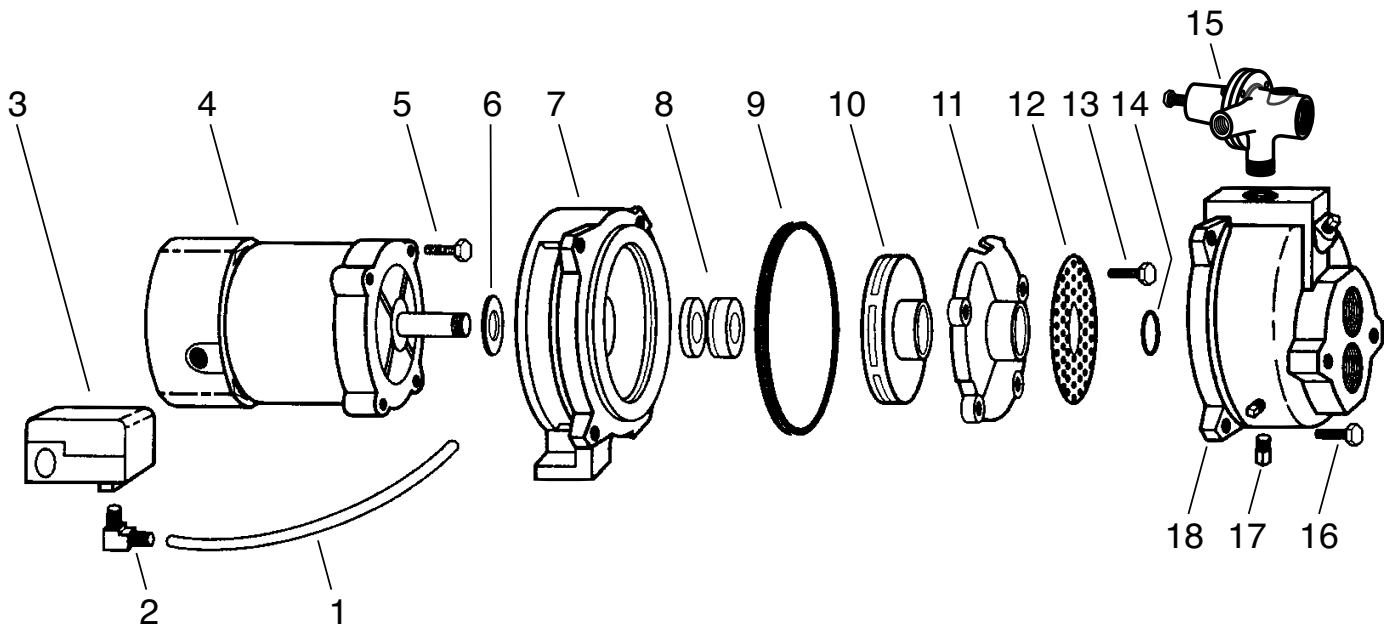
Modèle HR puits peu profond



Ref.	Désignation	Qté.	No. de pièce
1	Support	1	25383B000
2	Tube	1	U37-677P
3	Raccord, cannelé, coude	2	U111-212T
4	Pressostat	1	U217-1218
5	Moteur	1	J218-590PKG
6	Vis d'assemblage	4	19101A022
7	Rondelle	4	05454A007
8	Plaque de joint	1	24452C000
9	Joint	1	05014A157
10	Joint d'arbre	1	14525A000K
11	Impulseur en plastique	1	16622B015
11	Impulseur en laiton	1	17682B003
12	Venturi	1	25886A500
13	Diffuseur	1	12371B000K
14	Buse	1	12367A000
15	Carter	1	24357D000
16	Bouchon HEX 1/4	2	05022A092
Trousse de pièces de remise en état de la pompe (Contient les pièces 9, 10, 11, 12, 13 et 14)*			PK50

*Pour les modèles avec turbine en plastique seulement

HR Deep Well



Ref.	Désignation	Qté.	No. de pièce
1	Lanterne-support, moteur	1	25383B001
2	Tube	1	U37-677P
3	Raccord, cannelé, coude	2	U111-212T
4	Pressostat	1	U217-1218
5	Moteur	1	J218-590PKG
6	Vis, bouchon	4	19101A022
7	Rondelle de blocage	4	05454A007
8	Plaque, joint d'étanchéité	1	24452C000
9	Joint d'arbre	1	14525A000K
10	Joint d'étanchéité statique	1	05014A157
11	Turbine, plastique	1	16622B015
	Turbine, laiton		17682B003
12	Diffuseur	1	12371B000K
13	Joint torique	1	05876A003
14	Vis, bouchon	3	19099A023
15	Boîtier	1	24358D000
16	Trousse, régulateur	1	15285A033
17	Prise, tuyau ¼ po HEX	3	05022A092
Trousse de pièces de remise en état de la pompe (Contient les pièces 9, 10, 11, 12 et 13)*			PK50

*Pour les modèles avec turbine en plastique seulement
La trousse contient une buse et un venturi pour puits peu profond,
non requis pour les modèles de puits profond.

Instrucciones importantes de seguridad

Guarde estas instrucciones - Este manual contiene instrucciones importantes que se deben seguir durante la instalación y el mantenimiento del bombas de sumidero.

⚠ Este es un símbolo de alerta sobre la seguridad. Cuando vea este símbolo en su bomba o en este manual, busque para ver si hay alguna de las siguientes palabras de señal y esté alerta a la posibilidad de lesiones personales.

⚠ PELIGRO indica un riesgo que, de no evitarse, *provocará* la muerte o lesiones de gravedad.

⚠ ADVERTENCIA indica un riesgo que, de no evitarse, *podría provocar* la muerte o lesiones de gravedad.

⚠ PRECAUCIÓN indica un riesgo que, de no evitarse, *podría provocar* lesiones leves o moderadas.

AVISO hace referencia a una práctica no relacionada con una lesión física.

Lea y siga cuidadosamente todas las instrucciones de seguridad en este manual y en la bomba.

Mantenga las etiquetas de seguridad en buenas condiciones. Reemplace las etiquetas de seguridad faltantes o dañadas.

Proposición 65 de California Advertencia

⚠ ADVERTENCIA Este producto y los accesorios relacionados contienen sustancias químicas declaradas cancerígenas, causantes de malformaciones y otros defectos congénitos por el Estado de California.

⚠ ADVERTENCIA



Voltaje peligroso. Puede ocasionar conmoción, quemaduras e incluso la muerte.

Conecte la bomba a tierra antes de conectarla a la alimentación eléctrica. Desconecte la alimentación de energía antes de trabajar en la bomba, el motor o el tanque.

- ⚠ Conecte el motor al voltaje correcto. Vea la sección "Electricidad" en este manual y la placa del motor.**
- ⚠ Conecte el motor a tierra antes de conectarlo a la alimentación de energía.**
- ⚠ Cumpla con las indicaciones del Código Nacional Eléctrico, el de Canadá y los códigos locales para toda la conexión eléctrica.**
- ⚠ Siga las instrucciones de conexión eléctrica en este manual al conectar el motor a las líneas de energía eléctrica.**

Seguridad eléctrica

⚠ ADVERTENCIA Riesgo de choque eléctrico. Puede provocar choque, quemadura o muerte. El voltaje del capacitor puede ser peligroso. Para descargar el capacitor del motor, tome un desatornillador con mango aislado POR EL MANGO y ponga en corto las terminales del capacitor. No toque la superficie de metal del desatornillador ni las terminales del capacitor. Si tiene alguna duda, consulte a un electricista calificado.

Seguridad general

⚠ PRECAUCIÓN Riesgos de quemaduras. No toque un motor en operación. Los motores están diseñados para operar a temperaturas altas. Para evitar quemaduras al realizar el servicio a una bomba, déjela enfriar por 20 minutos después de apagarla.

No permita que la bomba o cualquier componente del sistema se congele. Hacerlo invalidará la garantía.

Utilice esta bomba sólo para agua.


Inspeccione la bomba y los componentes del sistema periódicamente.

Utilice gafas de seguridad durante todo el tiempo mientras trabaje en la bomba.

El área de trabajo se debe mantener limpia, ordenada y con iluminación adecuada; guarde las herramientas y el equipo que no utilice en el lugar apropiado.

Mantenga a los visitantes a una distancia segura de las áreas de trabajo.

⚠ ADVERTENCIA Riesgo de explosión. El cuerpo de la bomba puede explotar si se utiliza como una bomba propulsora a menos que se instale una válvula de alivio que sea capaz de pasar todo el flujo de la bomba a 75 psi.



⚠ ADVERTENCIA

Presión peligrosa! Instale una válvula de alivio de presión en la tubería de descarga.

Libere toda la presión en el sistema antes de trabajar en alguno de los componentes.

Garantía limitada

F.E. MYERS le garantiza al comprador/consumidor original (“Comprador” o “Usted”) de los productos enumerados abajo, que estos estarán libres de defectos en material y mano de obra durante el Período de Garantía indicado a continuación.

Producto	Período de garantía
Bombas de chorro, pequeñas bombas centrífugas, bombas sumergibles y accesorios asociados	<i>lo que ocurra primero:</i> 12 meses desde la fecha de la instalación inicial, o 18 meses desde la fecha de fabricación
Tanques de devanado de fibra de vidrio	5 años desde la fecha de la instalación inicial
Tanques a presión de acero	5 años desde la fecha de la instalación inicial
Productos para sumideros/aguas residuales/efluente	12 meses desde la fecha de la instalación inicial, o 24 meses desde la fecha de fabricación

Nuestra garantía no se aplicará a ningún producto que, a nuestro sólo juicio, haya sido sometido a negligencia, mal uso, instalación inadecuada o mal mantenimiento. Sin perjuicio a lo que antecede, la garantía quedará anulada en el caso en que un motor trifásico se haya usado con una fuente de alimentación monofásica, a través de un convertidor de fase. Es importante indicar que los motores trifásicos deben estar protegidos por relés de sobrecarga de disparo extra-rápido, con compensación ambiental de tres etapas, del tamaño recomendado, de lo contrario, la garantía quedará anulada.

Su único recurso, y la única obligación de F.E. MYERS es que F.E. MYERS repare o reemplace los productos defectuosos (a juicio de F.E. MYERS). Usted deberá pagar todos los cargos de mano de obra y de envío asociados con esta garantía y deberá solicitar el servicio bajo garantía a través del concesionario instalador tan pronto como se descubra un problema. No se aceptará ninguna solicitud de servicio bajo garantía que se reciba después del vencimiento del Período de Garantía. Esta garantía no se puede transferir.

F.E. MYERS NO SE HARÁ RESPONSABLE DE NINGÚN DAÑO CONSECUENTE, INCIDENTAL O CONTINGENTE.

LAS GARANTÍAS LIMITADAS QUE ANTECEDEN SON EXCLUSIVAS Y EN LUGAR DE TODA OTRA GARANTÍA EXPLÍCITA E IMPLÍCITA, INCLUYENDO, PERO SIN LIMITARSE A LAS GARANTÍAS IMPLÍCITAS DE COMERCIALIZACIÓN E IDONEIDAD PARA UN FIN ESPECÍFICO. LAS GARANTÍAS LIMITADAS QUE ANTECEDEN NO SE EXTENDERÁN MÁS ALLÁ DEL PERÍODO DE DURACIÓN INDICADO EN LA PRESENTE.

Algunos estados no permiten la exclusión o limitación de daños incidentales o consecuentes o de limitaciones de tiempo sobre garantías implícitas, de modo que es posible que las limitaciones o exclusiones que preceden no correspondan en su caso. Esta garantía le otorga derechos legales específicos y es posible que usted también tenga otros derechos que pueden variar de un estado al otro.

Esta Garantía Limitada entra en vigor el 1 de junio de 2011 y sustituye toda garantía sin fecha o garantía con fecha anterior al 1 de junio de 2011.

F.E. MYERS

293 Wright Street, Delavan, WI 53115

Teléfono: 888-987-8677 • Fax: 800-426-9446 • www.femyers.com

En Canadá: P. O. Box 9138, 269 Trillium Dr., Kitchener, Ontario N2G 4WS

Teléfono: 519-748-5470 • Fax: 888-606-5484

Componentes principales y su función

Tanque y Control de volumen de aire

El tanque tiene dos funciones: (1) sirve como depósito de agua _ parte de la cual se puede extraer mediante un accesorio doméstico antes de que la bomba deba comenzar; (2) mantiene un colchón de aire bajo presión.

Cuando se usa un **Tanque cisterna flexible precargado**, no se necesita un regulador de volumen de aire. Este tanque contiene una precarga de aire aislada.

Cuando se usa un **Tanque que no es cisterna flexible**, el regulador de volumen de aire le agrega aire al tanque a medida que se necesita. El regulador de volumen de aire se cuelga a un lado del tanque y un tubo de presión se conecta desde el regulador de volumen de aire al lado de aspiración de la bomba.

Manóstató

Se proporciona un manóstató para una operación automática. La bomba se enciende cuando la presión del sistema desciende a la presión de activación y se detiene cuando la presión del sistema alcanza la presión de desactivación.

Impulsor, surtidor (jet) y regulador de presión

El impulsor de la bomba rota con el eje del motor, creando un aumento de presión. La rotación del impulsor genera un vacío, lo cual permite la extracción de agua hacia la bomba. Parte del agua es desviada de regreso al surtidor (jet), en donde nuevamente pasa por la boquilla y el venturi, creando un vacío adicional para extraer más agua y descargarla al impulsor a alta presión.

En una **instalación de pozo profundo**, la unidad del surtidor (jet) está sumergida en el pozo debido a que la distancia vertical al nivel del agua sobrepasa la altura de aspiración de la bomba. El ajuste del regulador hace que la cantidad de agua correcta se desvíe de regreso al surtidor para el funcionamiento más eficaz posible.

El regulador se puede usar para limitar el flujo de agua en un sistema de pozo poco profundo, si la bomba convertible tiene la capacidad de extraer más agua de lo que el pozo puede producir.

En una **instalación de pozo poco profundo**, la unidad del surtidor (jet) está conectada directamente a la bomba porque un vacío elevará el agua hacia la bomba.

Nivel del agua del pozo

Se recomienda usar sistemas de agua para pozos poco profundos en pozos en donde la suma de: (1) la medida vertical desde la bomba al nivel de agua en el pozo; (2) el descenso de nivel del agua del pozo; y (3) la fricción del tubo de aspiración en pies, equivale a 25 pies o menos.

Ubicación

Con respecto al pozo, la unidad se puede instalar en cualquier lugar que sea conveniente y que proporcione suficiente espacio para la instalación y para realizar trabajos de reparación y mantenimiento del pozo. Un sótano seco, foso o cuarto de servicio son opciones excelentes cuando esté permitido por la ley. Consulte con las agencias estatales y locales para determinar las restricciones en su área.

Pozos

Antes de la instalación, un pozo nuevo debe ser desarenado hasta que esté despejado. La arena estropea las piezas de la bomba y la junta. El nivel de descenso en el pozo no debe sobrepasar la profundidad máxima nominal para la bomba o la capacidad se verá reducida y puede provocar una pérdida de cebadura.

AVISO Es posible que se deba clorar el pozo antes de instalar una bomba nueva. Consulte al departamento local de salud para obtener recomendaciones al respecto.

Tubería

Las ilustraciones muestran tubos de plástico. Si se desea, se puede usar un tubo de hierro galvanizado.

- El tubo debe estar limpio y sin materias extrañas que puedan obturar el surtidor (jet).
- Si la unidad se instala en posición desviada del pozo, la tubería deberá ir cuesta arriba desde el pozo hacia la bomba. Se deberá suministrar uniones en donde sea necesario.
- Suministre una llave de purga en un punto bajo de la línea de servicio para drenar el tanque a presión.

Verifique que todas las conexiones de aspiración estén herméticas. La causa principal de problemas en una instalación nueva son las fugas de aire en una o más juntas en la línea de aspiración.

Sellado de Juntas de Tubería

Utilice solamente sellante de PTFE para roscas de tubería a base de PTFE para todas las conexiones de rosca a la bomba. **No use compuestos de burlete para tuberías en bombas de plástico:** estos pueden reaccionar con los componentes de plástico de la bomba. Asegúrese de que todos los burletes en la tuberías de aspiración sean impermeables y herméticos. *Si la tubería de aspiración aspira aire, la bomba no podrá sacar agua del pozo.*

Instalación en pozo poco profundo

Consulte la Figura 1 para instalaciones típicas de Pozos poco profundos.

1. Conecte la válvula de pie a un adaptador de tubo de plástico de 1-1/4". Cemente el adaptador a un tubo de PVC rígido de 1-1/4". Todas las conexiones deben ser herméticas al aire y al agua para que la bomba funcione correctamente.
2. Añada secciones de tubo de PVC rígido y empalmes (según se requiera) mientras baja la válvula de pie por el pozo. Se podría necesitar hasta 30 pies de tubería.

AVISO La remoción del filtro de la válvula de pie invalidará la garantía.

3. Instale la junta de pozo sobre el tubo de PVC rígido y hacia adentro del entubado del pozo. Cemente el codo de PVC de 1-1/4" a la parte superior del tubo, a la medida correcta para colocar la válvula de pie a 5 pies por encima del fondo del pozo. Baje la unidad de válvula de pie/tubo cuidadosamente por el pozo, usando la abrazadera de tubos. Oprima los pernos en la junta del pozo hasta que las empaquetaduras de caucho queden apretadas tanto contra el entubado del pozo como contra el tubo.
4. **Para bombas de pozos poco profundos** - Cemente un extremo del tubo horizontal de 1-1/4" al codo. Añada secciones para llegar a la bomba. Esta tubería deberá ir cuesta arriba hacia la bomba desde el codo. Enrosque el adaptador de 1-1/4" en la bomba. Cemente el tubo horizontal al adaptador que se ha enroscado en la bomba.
- 4A. **Para bombas convertibles** - Instale la boquilla de plástico y el venturi en la caja del eyector. Fije la unidad del eyector para pozos poco profundos y la empaquetadura en la caja de la bomba con los pernos provistos.
5. Conecte el tubo de presión entre la caja de la bomba y el manóstato en la bomba.
6. Enrosque el adaptador de PVC de 1-1/4" en el eyector para pozos poco profundos. Cemente el tubo horizontal al adaptador enroscado en el eyector.

7. Usando una llave de tubos, instale el T de descarga en la descarga de la bomba hasta que quede apretado.
8. Vaya a la sección *Electricidad* y complete las conexiones como se describe.
9. Después de haber terminado el trabajo eléctrico y antes de conectar la bomba al tanque a presión, es necesario cebar la bomba y hacer una prueba. Para cebar, retire el manguito de la parte superior del T de descarga. Llene la tubería y la bomba con agua hasta que el agua se desborde por la parte superior del T. Vuelva a colocar el manguito y apriete la junta. Instale el manómetro. Antes de encender la bomba, coloque un balde grande u otro envase debajo de la abertura de la válvula de retención.
10. Encienda el motor. Si la bomba está instalada con una línea de desviación horizontal de 4 pies o más, podrá necesitar varios minutos para cebar. Si la bomba no ceba en 5 minutos: (1) detenga el motor; (2) retire el tapón de descarga y el manómetro; y (3) añada más agua.
11. Deje que la bomba se vacíe en un envase lo suficientemente largo para despejar el pozo de arena o suciedad, y para verificar que no se agote el agua en el pozo.
12. Detenga la bomba y complete las conexiones al tanque a presión, según se describe en la sección *Conexión del Tanque*. Deje que la bomba pase automáticamente por los ciclos varias veces para verificar la graduación del manóstato y su funcionamiento. Asegúrese de que el manóstato esté graduado lo suficientemente bajo para apagar la bomba. Si la válvula se cierra y la graduación del manóstato es demasiado alta, la bomba marchará continuamente sin flujo de agua. Esto hará que se recaliente y dañará la bomba.

AVISO Si la bomba se está usando como rociadora de césped o como bomba de irrigación, se DEBERÁ retirar el manóstato y cablear la bomba directamente. Además, no se usa un tanque a presión.

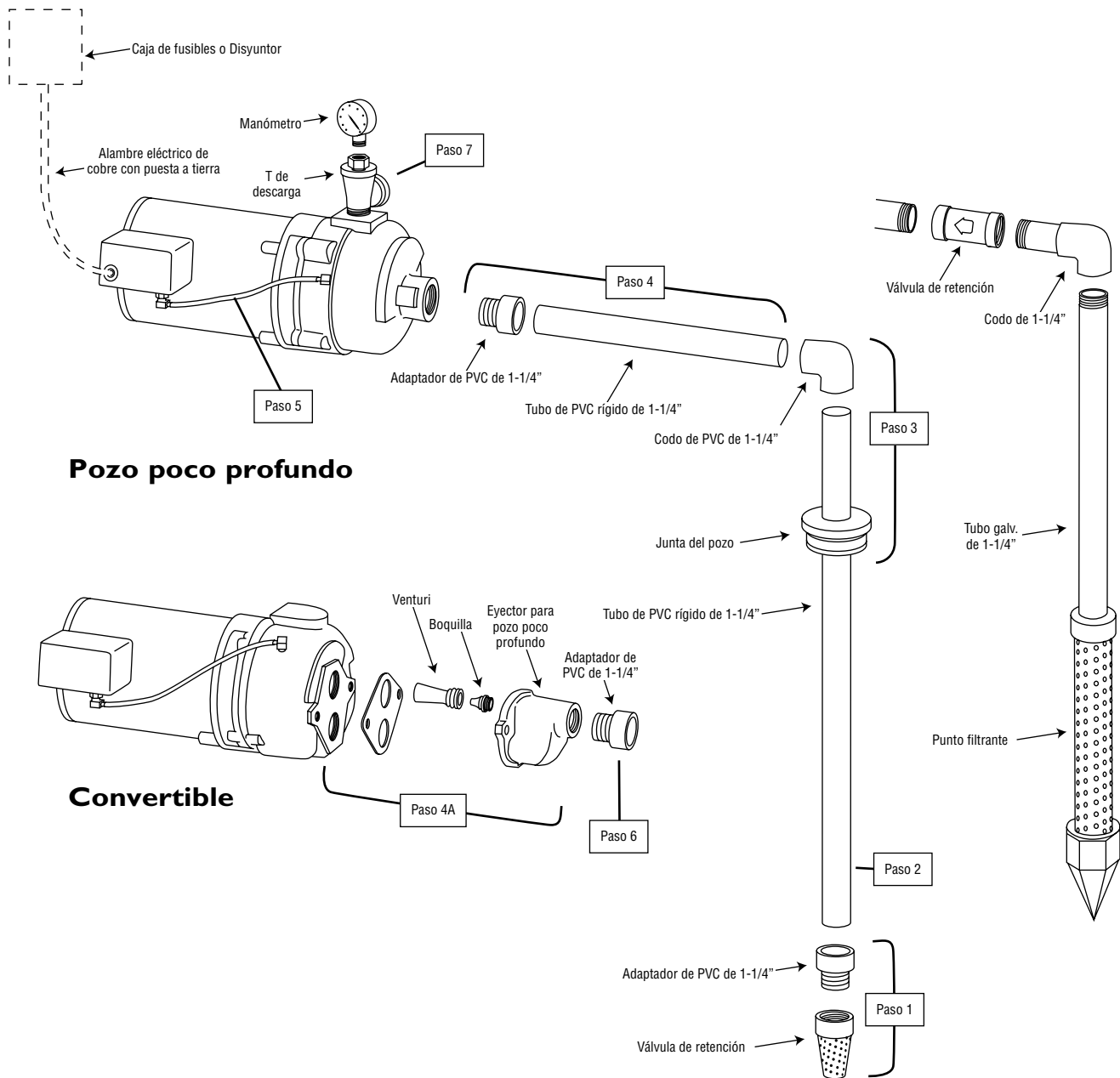


Figura 1 - Instalación típica de bomba en pozos poco profundos

Instalación del punto filtrante

Si se instala un punto filtrante en lugar de una válvula de pie, siga las instrucciones incluidas con el punto filtrante. Además:

- a. No instale una junta de pozo
- b. Instale las dos válvulas de retención: una del lado del pozo de la bomba; una del lado de la casa.

Conexión del tanque

Conexión del tanque precargado

Si su sistema usa un tanque precargado, se deberá conectar a la bomba como se ilustra en la Figura 2. La válvula de descarga debe ser capaz de pasar la capacidad total de la bomba a una presión de 100 PSI.

La precarga de aire en el tanque se debe chequear con un manómetro de llantas común. La precarga se mide cuando no hay presión de agua en el tanque. Desconecte el suministro de energía a la bomba y drene el tanque antes de chequear la precarga. Su bomba tiene un interruptor de 30/50 PSI, de manera que la presión de precarga del tanque debería ser de 28 PSI (es decir, debería ser 2 PSI más baja que la presión de activación del manóstato).

No se requiere un Regulador de Volumen de Aire (AVC) para un tanque precargado; se debe tapan la toma de 1/8" NPT del AVC en el cuerpo de la bomba.

Conexión del tanque estándar

Si su sistema usa un tanque estándar, conéctelo a la bomba como se ilustra en la Figura 3. La válvula de descarga que se use en el tanque estándar debe ser capaz de pasar toda la capacidad de la bomba a una presión de 75 PSI.

Conecte el tubo del Regulador de Volumen de Aire (AVC) a la toma de 1/8" NPT del AVC en el cuerpo de la bomba. Haga correr el tubo desde la toma de AVC de la bomba al AVC montado en el tanque. Consulte los detalles en las instrucciones provistas con el tanque y el AVC.

AVISO La instalación de una válvula de retención entre la bomba y el tanque puede acortar los ciclos en las siguientes condiciones:

- Fugas en la válvula de pie
- Línea de aspiración horizontal larga
- Aire atrapado en la línea de aspiración
- Pozos con agua gaseosa

Para resolver este problema, se puede:

- Retirar completamente la válvula de retención.
- Mover la válvula de retención más allá del tanque.
- Cambiar la toma del manóstato al T del tanque.

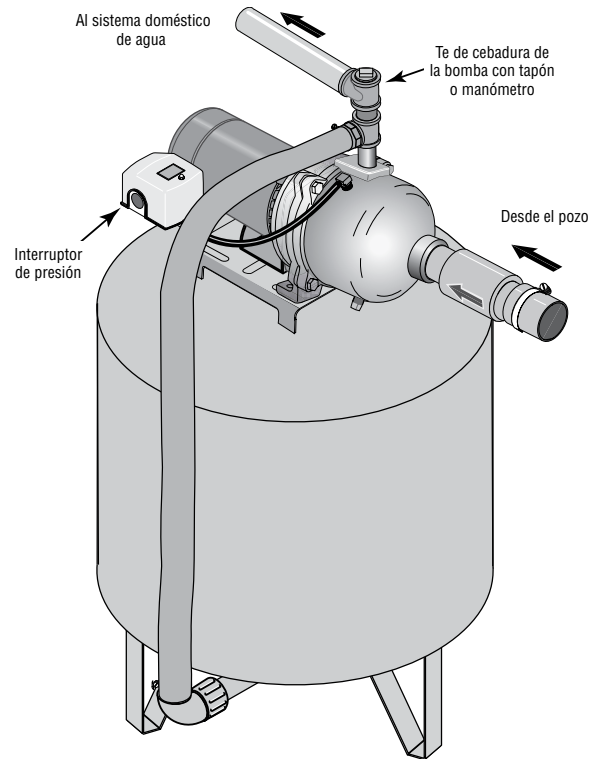


Figura 2 - Conexiones del tanque pre-cargado

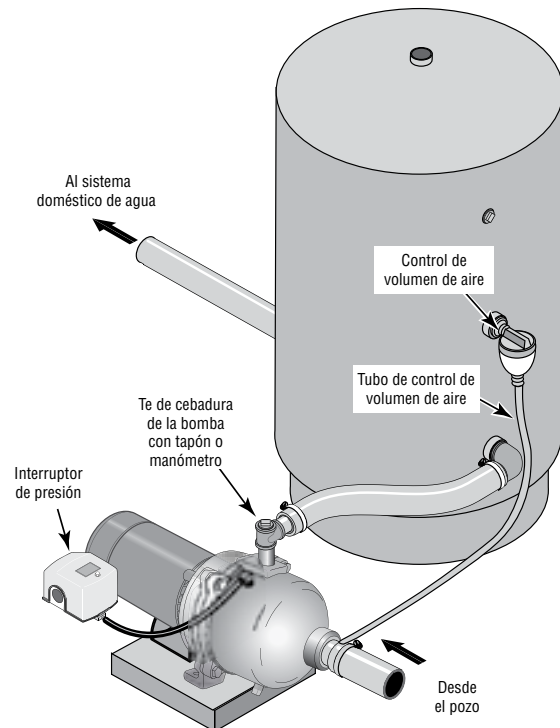


Figura 3 - Conexiones para tanque estándar

Instalación en pozo profundo

Consulte la Figura 4 para instalaciones típicas en pozos profundos.

1. Comience la instalación fijando la válvula de pie a una entrerroscas cercana del tamaño correspondiente. Conecte la unidad de entrerroscas/válvula de pie al fondo del cuerpo del eyector. Luego instale la boquilla y el venturi de plástico en la parte superior del cuerpo del eyector. Todas las conexiones deben ser herméticas al agua para que la bomba funcione correctamente.

2. **Para bombas de 1/2 HP**, instale un adaptador de PVC de 1" en el cuerpo del eyector. Luego instale un adaptador hembra de PVC de 1-1/4" en el cuerpo del eyector por encima del venturi de plástico.

2A. **Para bombas de 3/4 y de 1 HP**, instale un adaptador hembra de PVC de 1-1/4" en el cuerpo del eyector por encima del venturi de plástico. Luego instale una entrerroscas de 1-1/4" x 5" en el cuerpo del eyector, seguido por un adaptador hembra de PVC de 1-1/4".

Cemente los tubos de PVC rígido a los adaptadores de tubos en el cuerpo del eyector. Añada tubos de PVC y empalmes (según se requiera) mientras hace descender la unidad del eyector por el pozo con abrazaderas de tubería.

AVISO La remoción del filtro de la válvula de pie invalidará la garantía.

Después de hacer descender los tubos y la unidad del eyector por el pozo, instale la junta de pozo. Oprima los pernos en la junta de pozo hasta que las empaquetaduras de caucho queden apretadas contra el entubado del pozo y los dos tubos de plástico.

3. **Para bombas de 1/2 HP**, corte los tubos a la longitud necesaria para colocar la válvula de pie a 5 pies sobre el fondo del pozo. Corte la parte superior de un tubo de 1", 2" más corto que el tubo de 1-1/4", como se ilustra en el diagrama de instalación.

Cemente el codo de PVC de 1-1/4" y el codo de PVC de 1" a la parte superior de cada tubo. Cemente los tubos horizontales de PVC rígido de 1-1/4" y 1" a los codos. Enrosque el adaptador de PVC de 1-1/4" en la abertura superior de la cara de la bomba. Instale la entrerroscas de 1" x 4" en la abertura inferior de la cara de la bomba. Añada un adaptador hembra de PVC de 1" en la entrerroscas. Corte el tubo horizontal de 1", 3-1/2" más corto que el tubo horizontal de 1-1/4". Cemente los tubos horizontales de 1-1/4" y 1" a estos adaptadores. Los tubos horizontales deben ir cuesta arriba desde los codos hacia la bomba.

3A. **Para bombas de 3/4 y 1 HP**, corte el largo del tubo lo suficiente como para colocar la válvula de pie a 5 pies sobre el fondo del pozo. Corte la parte superior del tubo de perforación 2-1/4" más corto que el tubo de descarga, como se ilustra en el diagrama de instalación. Cemente los codos de PVC a cada tubo. Cemente los tubos horizontales de PVC rígido a los codos en la parte superior del pozo. Añada secciones de tubería y empalmes (según se requiera) para conectarlos a la bomba. Enrosque los adaptadores de PVC de 1-1/4" en las aberturas de la cara de la bomba. Cemente los tubos horizontales de PVC rígido a los adaptadores. Los tubos horizontales deben ir cuesta arriba desde los codos hacia la bomba.

4. Instale un regulador de presión en la salida de descarga de la bomba. Instale accesorios y tubería de latón para conectar el manóstatos al regulador de presión. Instale un manómetro en el regulador de presión.

AVISO La instalación de una válvula de retención entre la bomba y el tanque puede acortar los ciclos en las siguientes condiciones:

- Fugas en la válvula de pie
- Línea horizontal de aspiración larga
- Aire atrapado en la línea de aspiración
- Pozos con agua gaseosa

Para resolver este problema, se puede:

- Retirar completamente la válvula de retención.
- Mover la válvula de retención más allá del tanque.
- Cambiar la toma del manóstatos al T del tanque.

5. Vaya a la sección *Electricidad* y haga las conexiones eléctricas según se describe.

6. Después de haber terminado el trabajo eléctrico y antes de conectar la bomba al tanque a presión, es necesario cebar la bomba y hacer una prueba. Para cebar, retire el tapón de la parte superior del regulador de presión (para instalaciones con obturador en pozos profundos, retire el tapón del adaptador del obturador). Llene la tubería y la bomba con agua hasta que el agua se desborde por la parte superior del T. Vuelva a colocar el tapón. Antes de encender la bomba, coloque un balde grande u otro envase debajo de la abertura de la válvula de retención.

7. Encienda el motor. Apriete bien el tornillo de ajuste del regulador. Si la bomba se ha cebado debidamente, el manómetro indicará alta presión inmediatamente. Si no se obtiene presión: (1) detenga el motor; (2) retire el tapón de cebadura; y (3) añada más agua. Con la bomba funcionando a alta presión, lentamente destornille el tornillo de ajuste del regulador hasta obtener el máximo de flujo de agua sin que la presión descienda a cero. Si la presión desciende completamente, apriete nuevamente el tornillo de ajuste del regulador y vuelva a ajustarlo hasta obtener un funcionamiento estable. La presión estable será la presión de operación y no deberá ser menor que el valor indicado aquí.

Presión de operación (Pozo profundo de dos tubos)		
1/2 HP	3/4 HP	1 HP
24 PSI	26 PSI	32 PSI

8. Deje que la bomba se vacíe en el envase por un tiempo suficiente para despejar el pozo de arena o suciedad y para asegurarse de que no quede sin agua.

9. Detenga la bomba y complete las conexiones al tanque a presión, como se describe en la sección Conexión del Tanque. Deje que la bomba pase automáticamente por los ciclos varias veces para verificar la graduación del manóstatos y su funcionamiento. Asegúrese de que el manóstatos esté graduado lo suficientemente bajo para apagar la bomba. Si una válvula se cierra y la graduación del manóstatos es demasiado alta, la bomba marchará continuamente sin flujo de agua. Esto hará que se recaliente y dañará la bomba.

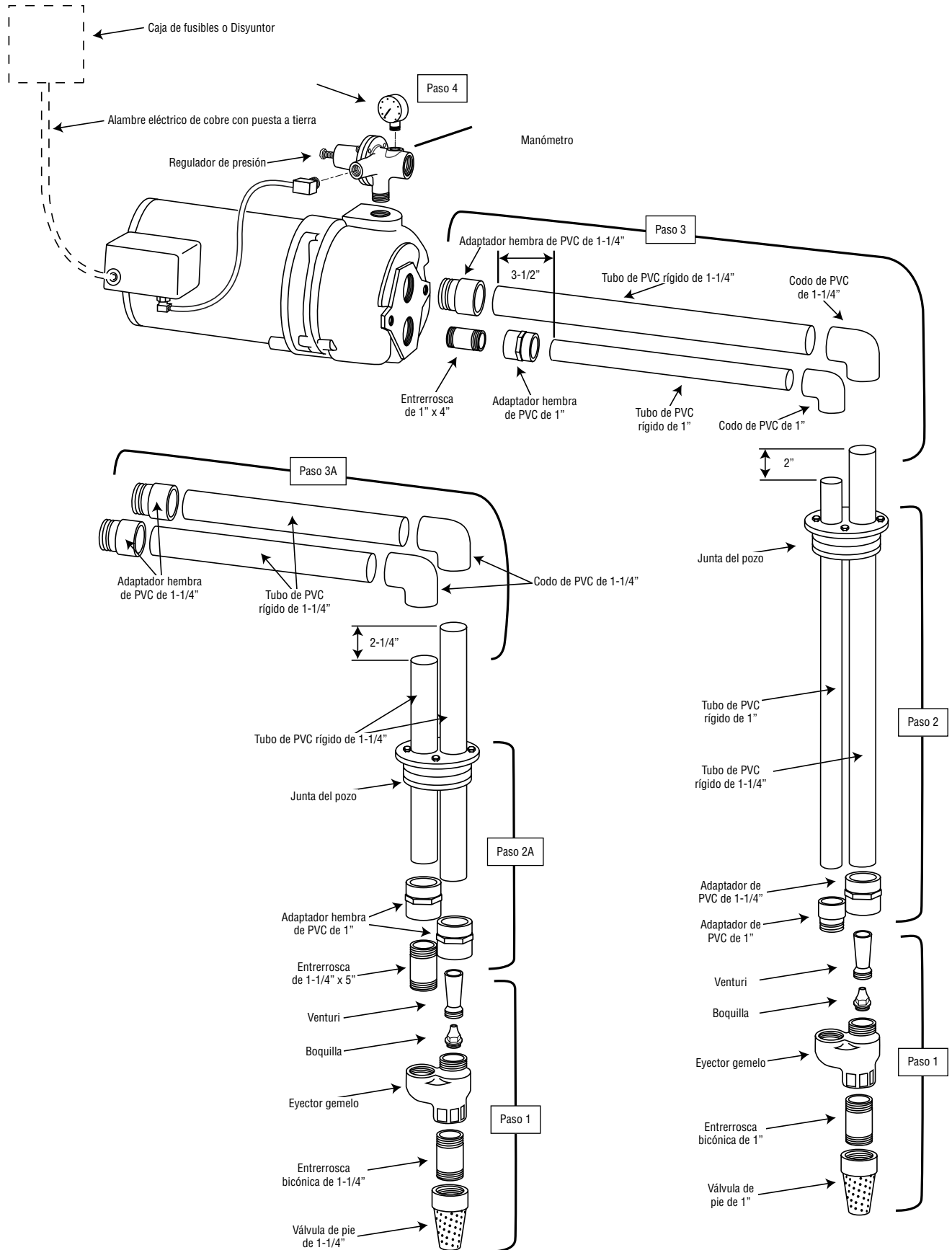


Figura 4 - Instalación típica de bomba en pozos profundos

Instalación de bomba de chorro obturador en pozo profundo

Consulte la Figura 5 para las instalaciones de chorro obturador en pozos profundos.

1. Comience la instalación en un entubado de pozo de 2" de diámetro, fijando la válvula de pie al fondo del cuerpo del eyector obturador. Retire el empalme de latón de la parte superior del eyector. Luego instale la boquilla y el venturi de plástico en la parte superior del cuerpo del obturador. Vuelva a instalar el empalme de latón sobre el venturi. Todas las conexiones deben ser herméticas al agua para que la bomba funcione correctamente.
2. Enrosque el adaptador de PVC de 1" en el empalme de latón. Cemente el tubo de PVC rígido de 1" al adaptador de tubos.
3. Baje la unidad de tubo/eyector obturador cuidadosamente por el pozo, añadiendo secciones de tubo de PVC rígido y empalmes según se requiera. Corte el tubo de PVC rígido de 1" a la longitud necesaria para colocar la unidad del eyector obturador a 5 pies como mínimo sobre el fondo del entubado del pozo.

AVISO La remoción del filtro de la válvula de pie invalidará la garantía.

4. Instale una enterrosca de 1" x 8" en el fondo del adaptador del obturador del pozo. Instale un adaptador hembra de PVC de 1" en la enterrosca.
5. Deslice la placa compresora del adaptador del obturador y la empaquetadura compresora por el tubo de PVC rígido. Cemente el adaptador hembra del tubo de PVC de 1" a la punta del tubo de PVC rígido.
6. Instale 3 tuercas y pernos y apriete alternadamente el adaptador del obturador en la placa compresora del obturador, sellándolo al entubado del pozo.
7. Si se desea, las bombas se pueden empernar directamente al adaptador del pozo. Si la bomba se instala directamente al adaptador, se deberá omitir el paso 8.

8. **Para bombas de 1/2 HP**, enrosque los adaptadores de PVC de 1-1/4" en el adaptador del obturador. Cemente el manguito de PVC de 1-1/4" x 1" al adaptador inferior.

Cementa los tubos horizontales de PVC rígido de 1-1/4" y de 1" al adaptador de PVC y al manguito. Añada secciones de tubo y empalmes (según se requiera) para conectarlo a la bomba. Debido a las distancias diferentes al centro, estos tubos serán de longitudes ligeramente diferentes.

Enrosque el adaptador de PVC de 1-1/4" en la abertura superior de la cara de la bomba. Instale la enterrosca de 1" x 4" en la abertura inferior de la cara de la bomba. Añada un adaptador hembra de PVC de 1" en la enterrosca. Corte el tubo horizontal de 1", 3-1/2" más corto que el tubo horizontal de 1-1/4". Cementa los tubos horizontales de 1-1/4" y de 1" a estos adaptadores. Los tubos horizontales deben ir cuesta arriba desde el adaptador del obturador hacia la bomba.

- 8A. **Para bombas de 3/4 y de 1 HP**, enrosque los adaptadores de PVC de 1-1/4" al adaptador del obturador. Cementa los tubos horizontales de PVC rígido a los adaptadores de tubos. Añada secciones de tubos y empalmes (según se requiera) para conectarlo a la bomba. Enrosque adaptadores de PVC de 1-1/4" en las aberturas de la cara de la bomba. Cementa los tubos horizontales de PVC rígido a los adaptadores. Los tubos horizontales deben ir cuesta arriba desde el adaptador del obturador hacia la bomba.

Pasos restantes: para completar la instalación, siga los pasos 4 al 9 de la sección *Instalación en Pozo Profundo*.

AVISO Debido a las irregularidades normales de la empaquetadura de cuero de la junta y de las paredes internas del entubado, los chorros obturadores no forman un sello hermético perfecto. En un sistema inactivo, podrá haber fugas de presión con el tiempo, lo cual provocará que la bomba pase por el ciclo periódicamente para mantener el nivel de presión del sistema.

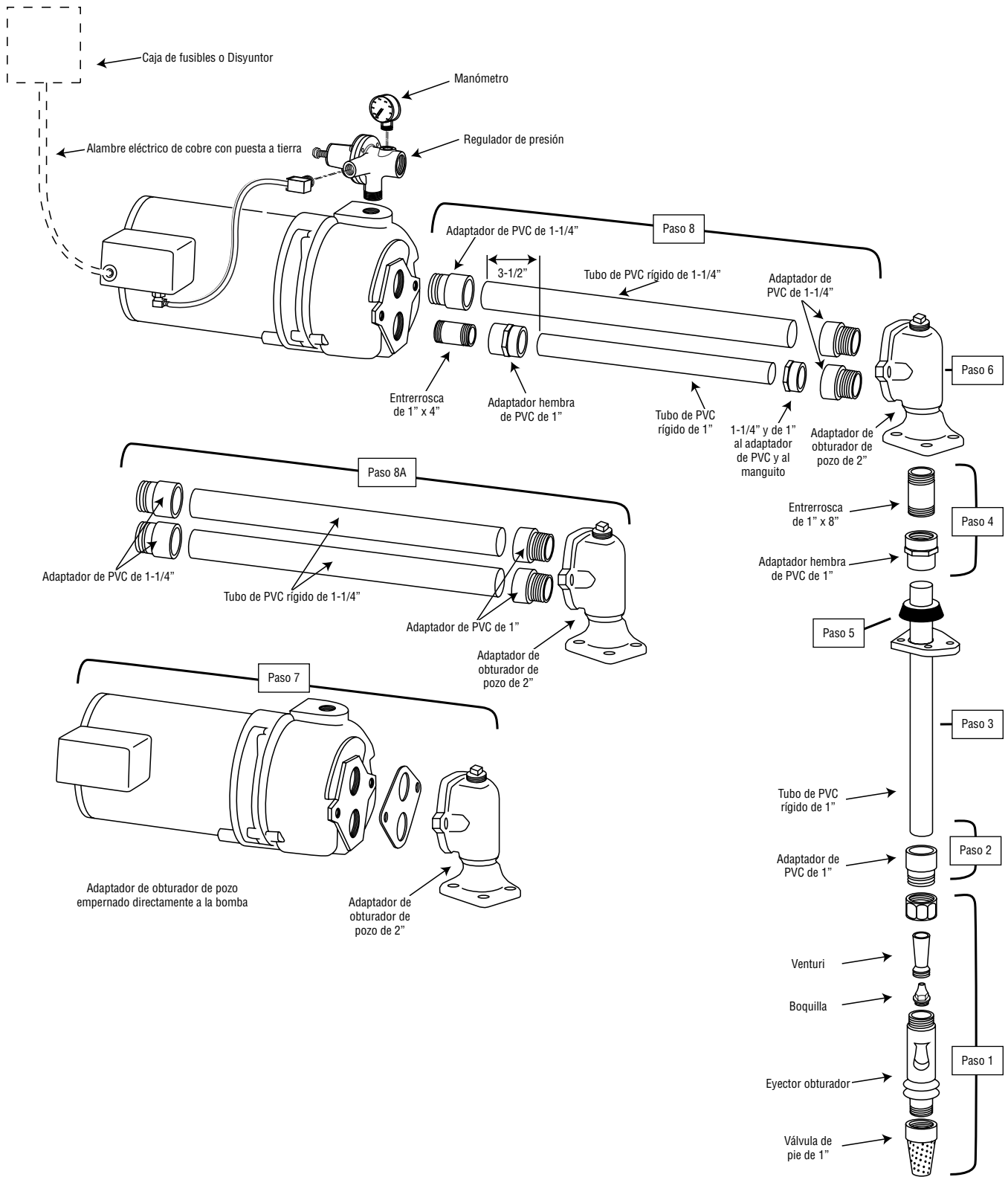


Figura 5 - Instalación típica del obturador en pozos profundos

⚠ ADVERTENCIA Riesgo de choque eléctrico. Puede provocar choques, quemaduras o muerte. Desconecte el suministro de energía antes de trabajar en la bomba, motor, manóstat o cables.

Configuración del interruptor del motor

AVISO Los motores de 1/2 HP son de doble tensión y vienen configurados de fábrica para 115 voltios. Los motores de 3/4 y 1 HP también son de doble tensión, pero vienen configurados de fábrica para 230 voltios. El tablero de bornes del motor (ubicado debajo de la cubierta del motor) debe verse como se ilustra abajo. Use las instrucciones para configurar su motor de manera que corresponda con su fuente de suministro de energía.

⚠ ADVERTENCIA Riesgo de choque eléctrico. Nunca conecte un motor configurado para 115 voltios a una fuente de energía de 230 voltios.

Selector de tensión de tipo ficha

La tensión está configurada para 230 voltios. Para cambiar a 115 v:

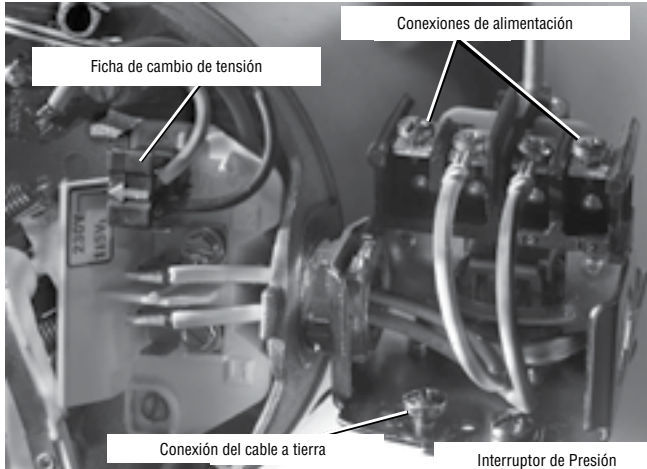


Figura 6 - Tensión configurada para 230 V, tipo ficha.

1. Asegúrese que la fuente de suministro de energía esté desactivada.
2. Saque la ficha de cambio de tensión fuera de las lengüetas.
3. Mueva la ficha de cambio de tensión a la posición de 115 Voltios. Ahora la ficha cubrirá las dos lengüetas metálicas y la flecha en la ficha quedará alineada con la flecha de 115V en la etiqueta (consulte la Figura 7).



Figura 7 - Tensión configurada para 115 V, tipo ficha.

4. Fije los conductores de energía entrantes a los dos tornillos exteriores en el manóstat, como se ilustra en la Figura 6.
5. Fije el cable de puesta a tierra a una de las conexiones de puesta a tierra, como se ilustra en la Figura 6.
6. Si hay otros cables, se deberán tapar.
7. Vuelva a instalar la cubierta del motor y la del manóstat.

Selector de tensión de tipo cuadrante

La tensión está configurada para 115 voltios. Para cambiar a 230 v:

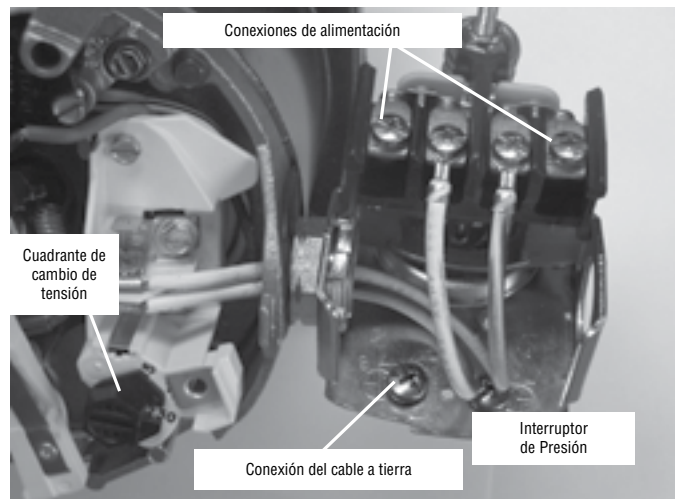


Figura 8 - Tensión configurada para 230 V, tipo cuadrante.

1. Asegúrese que la fuente de suministro esté desactivada.
2. Use una llave abierta de 1/2 pulgada y haga girar el cuadrante en la dirección opuesta a las agujas del reloj hasta que se vea 115 en la ventana del cuadrante, como se ilustra en la Figura 9.



Figura 9 - Tensión configurada para 115 V, tipo cuadrante.

3. Fije los conductores de energía entrantes a los dos tornillos exteriores en el manóstat, como se ilustra en la Figura 8.
4. Fije el cable de puesta a tierra a las conexiones de puesta a tierra como se ilustra en la Figura 8.
5. Si hay otros cables, se deberán tapar.
6. Vuelva a instalar la cubierta del motor y la del manóstat.

⚠ ADVERTENCIA Riesgo de choque eléctrico. Puede provocar choque, quemadura o muerte. Conecte el cable de puesta a tierra antes de conectar los cables de suministro de energía. Use el tamaño de cable (incluyendo el cable de puesta a tierra) especificado en el cuadro de cableado. De ser posible, conecte la bomba a un ramal separado en el cual no esté conectado ningún otro aparato.

⚠ ADVERTENCIA Riesgo de explosión. No haga la conexión a tierra en una línea de suministro de gas.

Conexiones de los cables

⚠ ADVERTENCIA Riesgo de incendio. Puede provocar lesiones graves, daños materiales o muerte. Una tensión incorrecta puede provocar un incendio o daños severos al motor, e invalidará la garantía. La tensión de suministro debe estar dentro de $\pm 10\%$ de la tensión indicada en la placa de fábrica del motor.

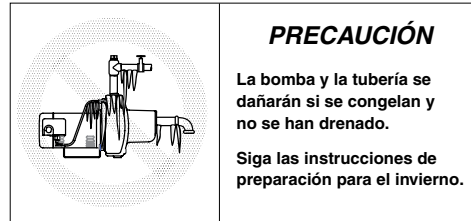
AVISO Los motores de doble tensión pueden venir configurados para 115 V o 230 V. Si es necesario, reposicione el motor a la tensión deseada, como se ilustra. No altere los cables en motores de una sola tensión.

La bomba se debe instalar, conectar a tierra, cablear y mantener conforme al National Electrical Code (NEC) [Código Eléctrico Nacional] o al Canadian Electrical Code (CEC) [Código Eléctrico Canadiense], según el que aplique, y a todas las normas y reglas locales que apliquen. Consulte su inspector local de construcción para obtener información sobre los códigos.

Procedimiento para la conexión:

- Primero conecte el cable de puesta a tierra, como se ilustra en la Figura 6. El cable de puesta a tierra debe ser un cable de cobre macizo de por lo menos el mismo tamaño que el de los cables de suministro de energía.
- Debe haber una conexión metálica sólida entre el manóstató y el motor para la protección de la puesta a tierra del motor. Si el manóstató no está conectado al motor, conecte el tornillo verde de puesta a tierra del interruptor al tornillo verde de puesta a tierra debajo de la cubierta del motor. Use un cable de cobre macizo de por lo menos el mismo tamaño que el de los cables de suministro de energía.

- Conecte el cable de puesta a tierra a un conductor conectado a tierra en el tablero de servicio, a una tubería metálica de agua subterránea, al entubado metálico del pozo de por menos diez pies (3 metros) de largo, o a un electrodo puesto a tierra suministrado por la empresa de energía o la compañía de energía hidroeléctrica.
- Conecte los cables de suministro de energía al manóstató como se ilustra en la Figura 6. Es necesario conectar la bomba a un ramal eléctrico separado, directamente desde la caja de fusibles o desde el tablero de disyuntores.



Preparación de la bomba para el invierno

Para preparar la bomba para temperaturas heladas:

- Desactive el suministro de energía a la bomba.
- Descargue la presión del sistema. Abra una llave de agua y deje que el agua corra hasta que pare de salir.
- Vacíe la bomba. Es posible que su bomba tenga un tapón de desagüe separado. Saque este tapón y hágala drenar. Es posible que su bomba sólo tenga un tapón o una conexión al costado de la bomba. Remueva el tapón o la conexión y deje drenar la bomba. Un poco de agua permanecerá en la bomba. Si una pequeña cantidad de agua permanece en la bomba, no será perjudicial si se congela.

Tabla de conexiones - Cables recomendados y Tamaños de fusibles

Modelo	HP	Carga Máxima	Fusible de Derivación	Distancia en pies (metros); Calibre del cable AWG (mm ²)				
				0-100 (0-30)	101-200 (31-61)	201-300 (62-91)	301-400 (92-122)	401-500 (123-152)
115 Volts:	1/2	9.4	15	14 (2)	10 (5.5)	10 (5.5)	6 (14)	4 (21)
		12.2	20	12 (3)		8 (8.4)		
	14.8	25			10 (5.5)	6 (14)		
	19.2		4 (21)					
230 Volts:	1/2	4.7	15	14 (2)	14 (2)	14 (2)	12 (3)	10 (5.5)
		6.1				12 (3)		
	7.4	10 (5.5)						
	9.6					12 (3)		

Esta información es para inspeccionar instalaciones de bombas de chorro que no están funcionando debidamente. Se basa en la premisa de que el sistema instalado consiste en una bomba de chorro que extrae agua de un pozo en donde el nivel del agua está debajo de la bomba y la bomba descarga agua a un tanque de almacenamiento a presión.

⚠️ ADVERTENCIA Riesgo de choque eléctrico. Puede provocar choque, quemadura o muerte. Para protegerse contra lesiones personales accidentales, es importante desactivar la corriente eléctrica a la bomba cuando se realicen los procedimientos de chequeo indicados. Sin embargo, existen excepciones evidentes y el personal de servicio deberá adoptar las precauciones necesarias contra todo peligro de choque eléctrico.

Problema	Procedimiento de inspección
Pozo poco profundo	
La bomba no ceba.	Detenga el motor, retire el tapón de cebadura, y llene la caja con agua.
	Asegúrese que no haya fugas desde la línea de aspiración y que ésta vaya cuesta arriba gradualmente desde la bomba al pozo sin puntos altos ni bajos.
	Asegúrese que el eje de la bomba gire en el sentido horario cuando se mira desde el extremo del motor opuesto al eje.
	Verifique que el venturi o la boquilla no estén obstruidos.
La bomba transporta agua por un período de tiempo, luego deja de bombear.	Asegúrese que la válvula de pie no esté asentada en arena o lodo y que no se haya atorado en posición cerrada.
	Asegúrese que el agua del pozo no se esté extrayendo por debajo de la válvula de pie. Use un medidor de nivel de agua mientras la bomba está funcionando.
	Verifique que la boquilla o el tubo venturi no estén obstruidos ni desgastados.
La bomba no transporta a la capacidad nominal.	Verifique que las piezas del impulsor no estén obturadas.
	Verifique que la boquilla y el venturi no estén desgastados o parcialmente obstruidos.
	En modelos de 3/4 y 1 HP, verifique que la junta tórica del difusor esté en su lugar.
El motor se recalienta y se apaga (sobrecarga)	Inspeccione el manómetro. Puede estar defectuoso, lo cual resultará en lecturas falsas.
	Asegúrese que el motor esté debidamente cableado para la tensión suministrada.
	Asegúrese que el cable sea del tamaño adecuado.
El motor falla o no funciona debidamente.	Asegúrese que el impulsor no se esté frotando contra la caja de la bomba.
	Si aún se encuentra bajo garantía, devuelva la bomba/el motor al lugar de compra (con el comprobante de compra) para su reparación o cambio, si fuese necesario.

Problema	Procedimiento de inspección
Pozo profundo	
La bomba no ceba.	<p>Detenga el motor, retire el tapón del cuerpo del regulador de presión, y llene la caja con agua.</p> <p>Si la bomba está en posición desviada, verifique que la tubería horizontal no tenga depresiones o puntos altos. La tubería debe correr en pendiente gradual desde la bomba cuesta abajo hacia el pozo.</p> <p>Inspeccione el nivel del agua del pozo para verificar que el eyector se encuentre dentro del agua.</p> <p>Verifique que no haya fugas de aire en la tubería o en la bomba.</p> <p>Desarme la bomba para confirmar que la junta tórica del difusor esté en la posición correcta.</p> <p>Asegúrese de que el motor este marchando con la rotación correcta: en el sentido horario cuando se mira desde el extremo del motor opuesto al eje.</p> <p>Saque la tubería del pozo y verifique que el eyector no tenga la boquilla o el venturi obstruidos.</p> <p>Verifique que la válvula de pie no esté asentada en arena o lodo.</p>
La bomba transporta agua por un período de tiempo, y luego deja de bombear.	<p>Asegúrese que el agua del pozo no se esté extrayendo por debajo de la válvula de pie. Use un medidor de nivel de agua mientras la bomba está funcionando.</p> <p>Asegúrese que el regulador esté debidamente configurado, especialmente a medida que desciende el nivel del agua del pozo. El regulador debe estar configurado de manera que proporcione una presión de operación mínima al descenso de nivel máximo.</p> <p>Saque la tubería del pozo y verifique que el eyector no tenga la boquilla o el venturi obstruidos.</p>
La bomba descarga agua pero no activa el manóstato.	<p>Es posible que el nivel del agua del pozo esté descendiendo debajo del límite del eyector. Verifique el nivel del agua con el medidor mientras la bomba está funcionando.</p> <p>Asegúrese que el tubo desde el manóstato al regulador de presión no esté obstruido.</p> <p>Verifique que el manóstato no esté defectuoso.</p> <p>Verifique que el cuello del impulsor no esté desgastado.</p> <p>Verifique que la junta tórica del difusor esté en la posición correcta.</p>
La bomba no transporta a su capacidad nominal.	<p>Verifique la altura de descarga del pozo. Use el medidor del nivel de agua mientras la bomba está en marcha.</p> <p>Verifique la profundidad de sumersión del eyector. Si el eyector está instalado a más de 10 pies por debajo del nivel de bombeo, la capacidad se verá reducida debido a una mayor fricción en la tubería.</p> <p>La presión de operación puede ser demasiado alta. Configure el regulador a la presión de operación mínima para el tamaño de su bomba.</p> <p>Saque la tubería del pozo y verifique que el eyector sea del tamaño correcto y esté a la profundidad debida.</p>
El motor se recalienta y se apaga (sobrecarga)	<p>Asegúrese que el motor esté debidamente cableado para la tensión suministrada.</p> <p>Asegúrese que el cable sea del tamaño adecuado.</p> <p>Asegúrese que el impulsor no se esté rozando contra la caja de la bomba.</p>
El motor falla o no funciona debidamente.	<p>Si aún se encuentra bajo garantía, devuelva la bomba/el motor al lugar de compra (con el comprobante de compra) para su reparación o cambio, si fuese necesario.</p>

ADVERTENCIA **Riesgo de choque eléctrico.** Puede provocar choque, quemadura o muerte. Para protegerse contra lesiones personales accidentales, es importante desactivar la corriente eléctrica a la bomba y drenar el tanque a presión antes de realizar servicios de reparación y mantenimiento en la bomba.

Modelos HJ y HJA

Cómo desarmar (HJ y HJA para pozos profundos)

1. Desconecte la corriente eléctrica y vacíe el tanque a presión antes de desarmar la bomba.
2. Desconecte el tubo del manóstat, saque los pernos de la caja de la bomba y los pernos de la pata del soporte.
3. Use un destornillador pesado detrás de las orejas de los pernos y empuje el soporte del motor hacia afuera de la caja.
4. Saque los pernos de la placa del difusor y saque el difusor (Figura 10). Cuando vuelva a colocar el difusor, use tres cuñas de 0.010" de grosor espaciadas igualmente entre el ojo del impulsor y el difusor para impedir que el impulsor se roce contra el difusor y las fijaciones.

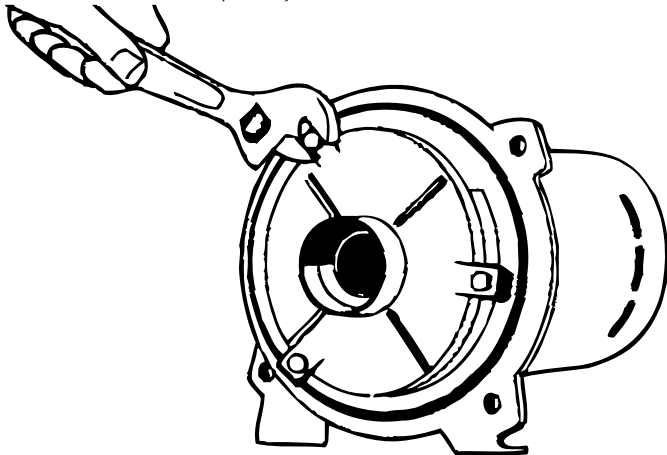


Figura 10 - Saque la placa del difusor

5. Saque el impulsor, sujetando el eje de la bomba con pinzas para bomba de agua y destornille el impulsor a la izquierda, en dirección contraria a las agujas del reloj mirando hacia el impulsor para sacarlo (Figura 11). También se puede sacar el impulsor empujando el casquete del eje del motor hacia afuera. Coloque un destornillador en el extremo con ranura del eje y sosténgalo para impedir que el eje gire. Destornille el impulsor en la dirección contraria a las agujas del reloj.

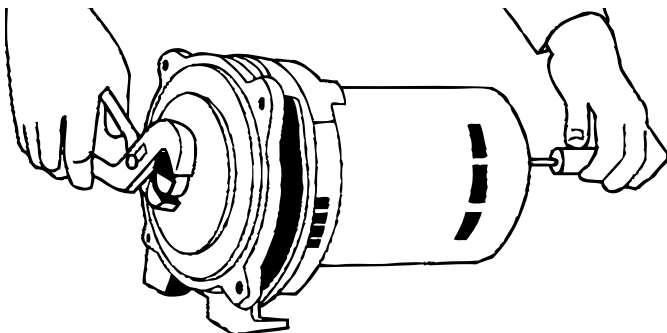


Figura 11 - Saque el impulsor

6. Usando dos destornilladores, como se ilustra en la Figura 12, empuje y saque la unidad giratoria de la junta del eje.

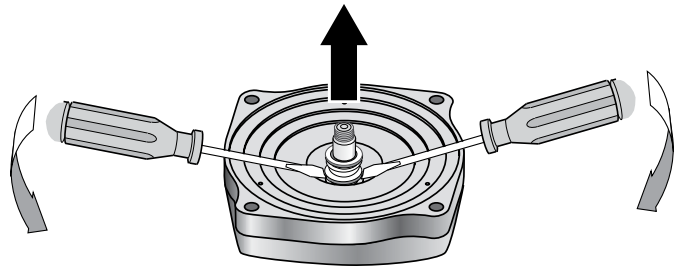


Figura 12 - Empuje y saque la junta

7. El eje de la bomba es una extensión del eje del motor, de manera que no es necesario reemplazarlo ni ajustarlo para la posición de la junta.
8. Saque los 4 pernos que sujetan el motor al soporte y saque el motor.

Cómo desarmar (HJ para pozos poco profundos)

1. Desconecte la corriente eléctrica y vacíe el tanque a presión antes de desarmar la bomba.
2. Saque los pernos de la caja y empuje el soporte para sacarlo de la caja de la bomba.
3. Saque el filtro y la placa de plástico del difusor. Cuando vuelva a colocar el difusor, use tres cuñas de 0.010" de grosor espaciadas igualmente entre el ojo del impulsor y el difusor para impedir que el impulsor roce contra el difusor y las fijaciones.
4. En los modelos de 1/2 HP, sujete el impulsor con pinzas y destornille el tubo venturi. En los modelos de 3/4 y 1 HP, el tubo venturi está atornillado a la caja de la bomba (Figura 13.)

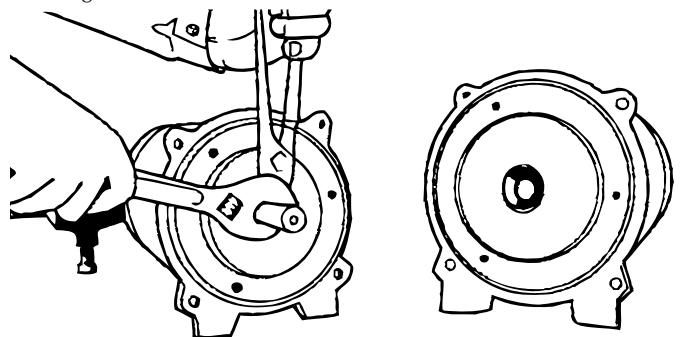


Figura 13 - Saque el Venturi

5. Sujete el eje de la bomba con pinzas y destornille el impulsor como se ilustra (Figura 11.)
6. Cuando vuelva a colocar el impulsor, lime y alise todo corte provocado por las pinzas en el impulsor después de apretarlo en posición.
7. El filtro de cebado se debe colocar con el hoyuelo hacia abajo. **ESTO ES IMPORTANTE PARA UNA CEBADURA CORRECTA. NO DEJE DE COLOCAR ESTE FILTRO.**

- En los modelos de 1/2 HP se puede sacar la boquilla de la caja de la bomba con cualquier llave de cubo estándar de 1-1/4" con una extensión (Figura 14).

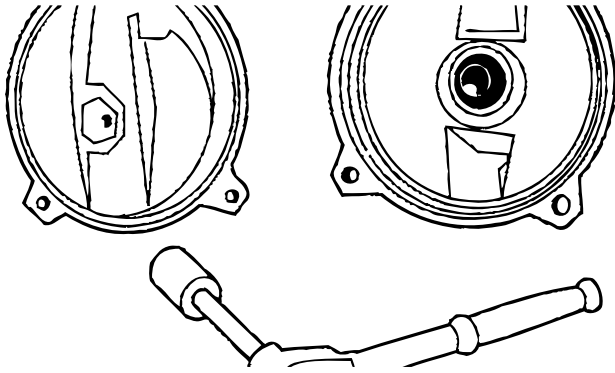


Figura 14 - Saque la boquilla

En los modelos de 3/4 y 1 HP el tubo venturi y la boquilla se pueden sacar de la misma manera, usando una llave de cubo de 27/32" para el venturi y una llave de cubo de 9/16" con extensión para la boquilla.

- Cuando vuelva a colocar la boquilla y el venturi, asegúrese de que estén bien apretados contra el hombro. Tenga cuidado de no forzar la rosca. Si la boquilla no está bien ajustada en la caja, el flujo quedará bloqueado a la entrada del venturi.
- Saque los 4 pernos que sujetan el motor al soporte y saque el motor.

Cómo reemplazar la junta mecánica

- El tamaño de la junta que se usa en todas las unidades HJ es de 5/8".
- Esta junta tiene dos partes:
 - Una unidad giratoria, un resorte de acero inoxidable, un casquillo de accionamiento con un aro de caucho y un aro tórico de carbono.
 - Un aro tórico fijo de cerámica montado sobre una copa de caucho sintético.
- Siempre reemplace ambos, la unidad giratoria y el asiento fijo de cerámica. **NO USE UN ASIENTO FIJO VIEJO CON UNA NUEVA UNIDAD GIRATORIA.**
- El aro de cerámica viejo se puede sacar de la caja rompiéndolo con un cincel o con un destornillador, sin necesidad de sacar el eje de la bomba.
- La caja y el eje deben estar limpios y sin arena ni suciedad antes de colocar una junta nueva. Lave las piezas con agua limpia.
- Coloque el asiento de cerámica fijo en la caja. Oprímalo solamente con los dedos.
- Coloque la unidad giratoria en el eje, con el aro de carbono hacia el asiento de cerámica, y oprímalo en posición con los dedos.
- Suciedad en las caras de la junta puede provocar fallas. Todas las piezas de bombeo de la unidad se pueden sacar de la caja sin perturbar la tubería del pozo o la tubería del tanque.

Modelos HR

Cómo desarmar (HR para pozos profundos)

- Desconecte la corriente eléctrica y vacíe el tanque a presión antes de desarmar la bomba.
- Desconecte el tubo del manóstat, saque los 4 tornillos prisioneros y separe la caja de la bomba de la placa selladora.
- Saque los 3 tornillos prisioneros, sujetando el difusor a la placa selladora y saque el difusor. Cuando vuelva a colocar el difusor, use tres cuñas de 0.010" de grosor espaciadas igualmente entre el ojo del impulsor y la abertura del difusor. Esto centra el difusor e impide el roce del impulsor (Figura 15.)

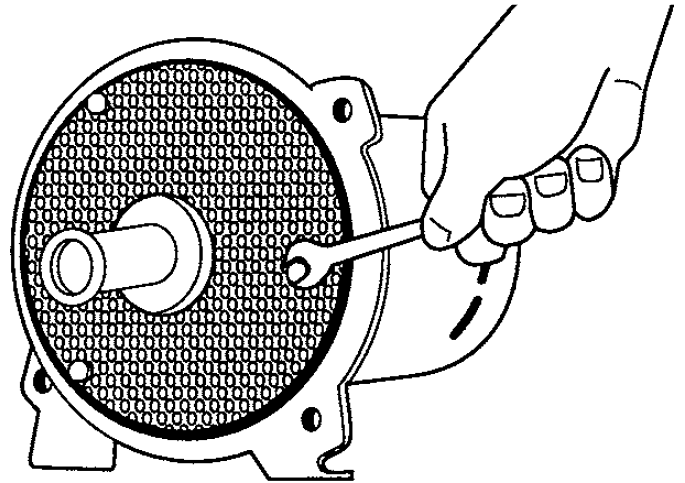


Figura 15 - Saque el difusor

- Saque el impulsor sujetando el eje de la bomba con un destornillador colocado en el extremo con ranura del eje del motor, y haciendo girar el impulsor en la dirección contraria a las agujas del reloj (Figura 16.)

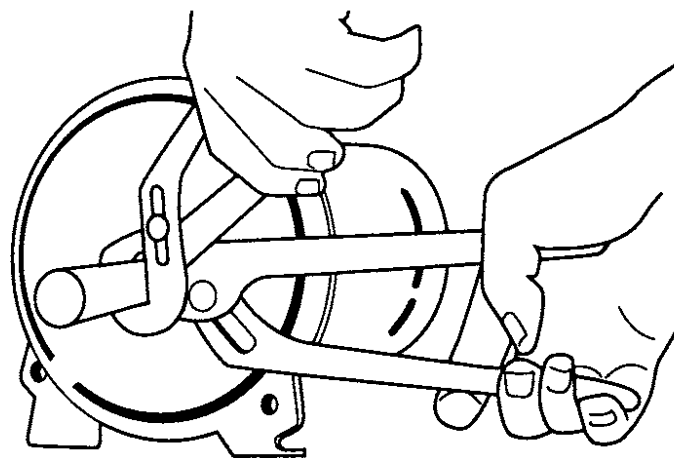


Figura 16 - Saque el impulsor

- Saque la unidad giratoria de la junta del eje.
- Ahora se puede sacar la placa selladora.
- La junta de cerámica fija se puede sacar usando una clavija de 3/4".

Cómo desarmar (HR para pozos poco profundos)

1. Desconecte la corriente eléctrica y vacíe el tanque a presión antes de desarmar la bomba.
2. Desconecte el tubo del manóstat, saque los 4 tornillos prisioneros y separe la caja de la bomba de la placa selladora.
3. Saque los 3 tornillos prisioneros, sujetando el difusor a la placa selladora y saque el difusor. Cuando vuelva a colocar el difusor, use tres cuñas de 0.010" de grosor espaciadas igualmente entre el ojo del impulsor y la abertura del difusor. Esto centra el difusor e impide el roce del impulsor (Figura 16.).

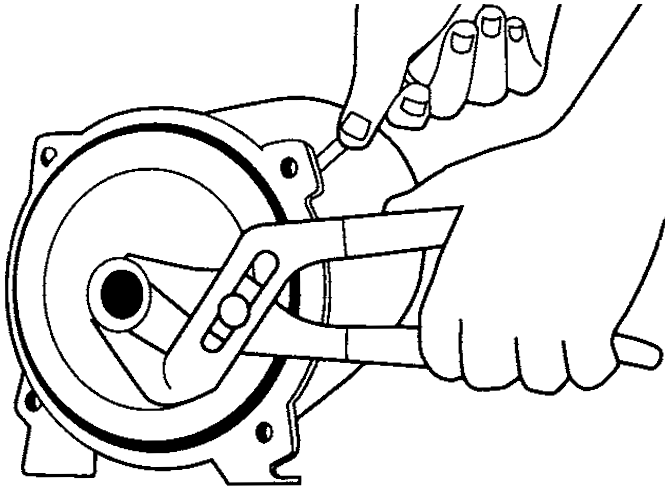


Figura 17 - Saque el Venturi

4. En los modelos de 1/2 HP, destornille el tubo venturi del impulsor. En los modelos de 3/4 y 1 HP, el tubo venturi está atornillado a la caja de la bomba (Figura 17.)
5. Saque el impulsor sujetando el eje de la bomba con un destornillador colocado en el extremo con ranura del eje del motor, y haciendo girar el impulsor en la dirección contraria a las agujas del reloj.
6. En los modelos de 1/2 HP se puede sacar la boquilla de la caja de la bomba con cualquier llave de cubo estándar de 1-1/4" con una extensión (Figura 18). En los modelos de 3/4 y 1 HP la boquilla forma parte del cuerpo de la bomba. Cuando vuelva a colocar la boquilla y el venturi, asegúrese de que estén bien apretados contra el hombro. Tenga cuidado de no forzar la rosca. Si la boquilla no está bien ajustada en la caja, el flujo quedará bloqueado a la entrada del venturi

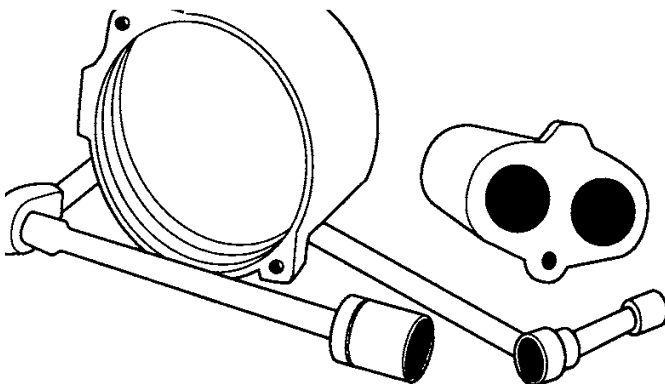


Figura 18 - Saque la boquilla

7. Saque la unidad giratoria de la junta del eje.
8. Ahora se puede sacar la placa selladora.
9. Saque la junta de cerámica fija con una clavija de 3/4".

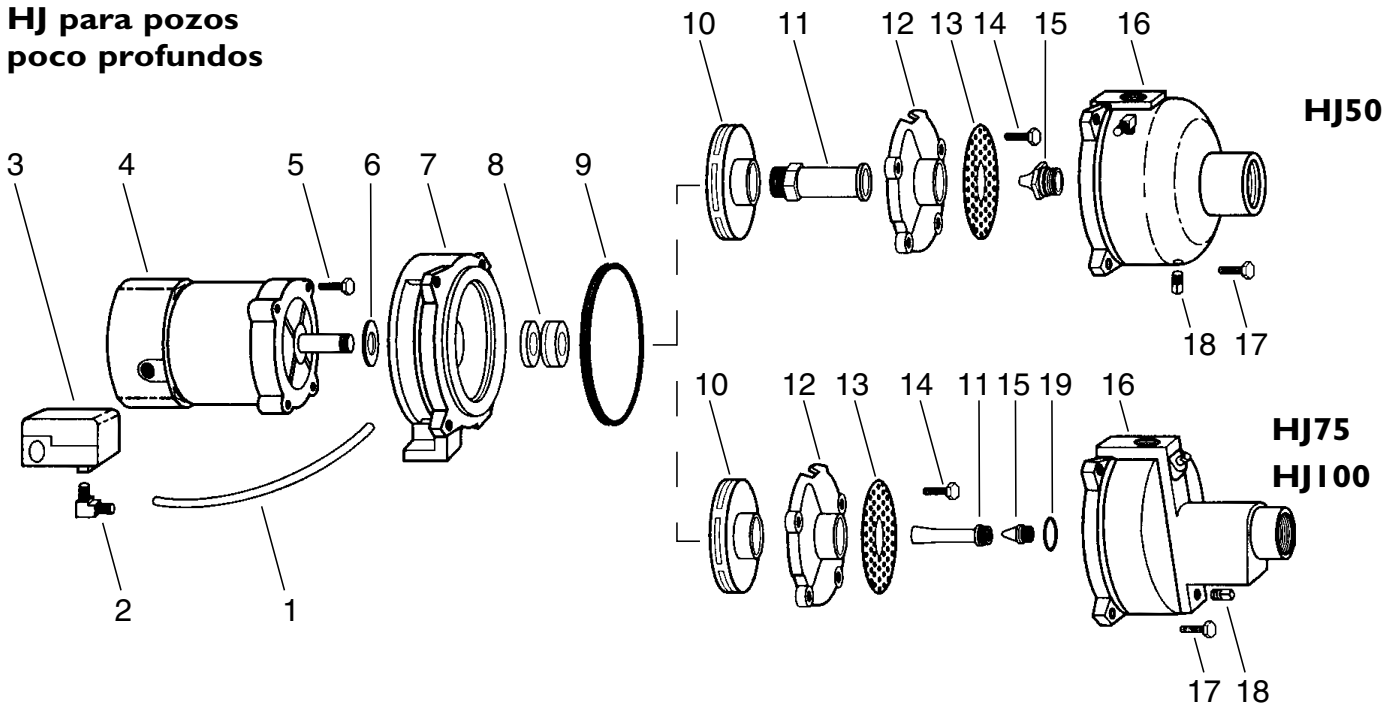
Cómo reemplazar la junta mecánica

Antes de manipular las piezas de la junta del eje, asegúrese de que sus manos estén limpias. Siempre reemplace la junta de cerámica fija y la unidad giratoria.

1. Limpie la cavidad del eje y de la junta con agua.
2. Lubrique la cavidad de la junta y la copa de caucho de la junta de cerámica fija con agua jabonosa.
3. Oprima el asiento de cerámica fijo en la caja. Oprima con los dedos solamente.
4. Instale la placa selladora en el motor. Tenga cuidado de no rayar la junta de cerámica.
5. Instale la unidad de junta giratoria en el eje, con el aro de carbono hacia el asiento de cerámica, y oprímala en posición con los dedos. La cara de carbono se debe lubricar con agua jabonosa.
6. Instale el impulsor. Apriételo con un destornillador, sujetando el eje.

Todas las piezas de bombeo de la unidad se pueden sacar de la caja sin perturbar la tubería del pozo o la tubería del tanque.

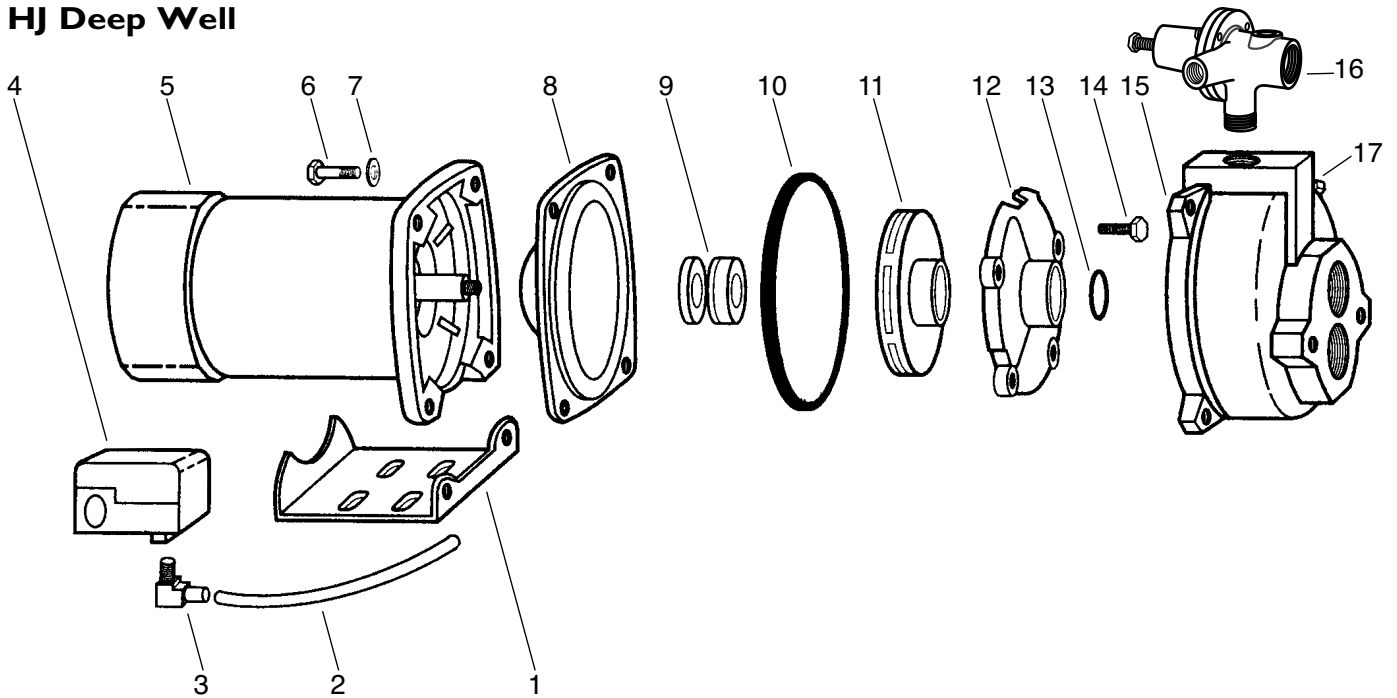
HJ para pozos poco profundos



Ref.	Descripción	Cant.	HJ50S	HJ75S	HJ100S
1	Tubería	1	U37-677P		
2	Accesorio, Dentado, Codo	2	U111-212T		
3	Manóstató, 30-50	1	U217-1216		
4	Motor	1	20924A000K	20934A000K	20935A000K
5	Tornillo prisionero de 3/8-16 x 7/8	4	19101A008		
6	Deflector	1	05059A318		
7	Sopóte	1	20936D001	20937D001	
8	Junta del eje	1	14525A000K		
9	Empaquetadura	1	05014A157	05014A158	
10	Impulsor, plástico	1	16622B010	19195B004	19196B004
	Impulsor, latón		17682B003	19195B000	19196B000
11	Venturi	1	25886A500	25882A546	19199A001
12	Difusor	1	12371B000K	14379B000K	14380B000K
13	Filtro	1	13069B000	13069B002	
14	Tornillo prisionero de 1/4-20 x 1	3	19099A012		
15	Boquilla	1	12367A000	08546A004	
16	Caja	1	18622D001	19197D000	
17	Tornillo prisionero de 3/8-16 x 1-1/4	4	19101A020	-	
	Tornillo prisionero de 7/16-14 x 1-1/2		-	19101A009	
18	Tapón de tubería de 1/4 HEX	2	05022A092		
19	Aro tórico	1	-	05876A087	
Juego de piezas para reparación (Incluye 8, 9, 10, 11, 12, 15 y 19)*			PK50	PK75	PK100

*Para modelos con impulsor de plástico solamente

HJ Deep Well

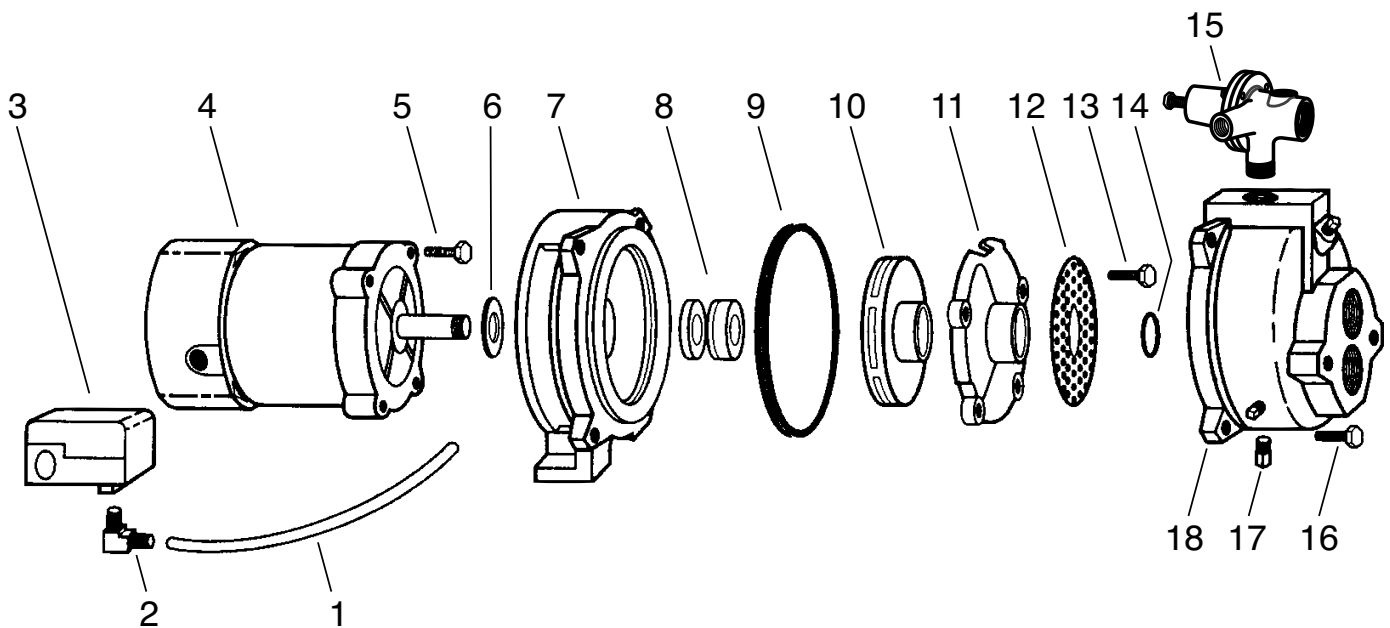


Ref.	Descripción	Cant.	HJ50D	HJ75D	HJ100D
1	Tubería	1	U37-677P		
2	Accesorio, dentado, codo	2	U111-212T		
3	Manóstató, 30-50	1	U217-1216		
4	Motor	1	20924A000K	20934A000K	20935A000K
5	Tornillo de cabeza 3/8-16 x 7/8	4	19101A008		
6	Deflector	1	05059A318		
7	Ménsula	1	20936D001	20937D001	
8	Obturador, Eje	1	14525A000K		
9	Empaquetadura	1	05014A157	05014A158	
10	Impulsor, plástico	1	16622B010	19195B004	19196B004
	Impulsor, latón		17682B003	19195B000	
11	Difusor	1	12371B000K	14379B000K	14380B000K
12	Pantalla	1	13069B000	13069B002	
13	Tornillo de cabeza 1/4-20 x 1	3	19099A012		
14	Aro tórico	1	05876A003	05876A087	
15	Juego, Regulador	1	15285A014	15285A023	
16	Tornillo de cabeza 3/8-16 x 1-1/4	4	19101A020	-	
	Tornillo de cabeza 7/16-14 x 1-1/2		-	19101A009	
17	Tapón, tubería 1/4 HEX	3	05022A092		
18	Caja	1	18623D000	19198D000	
Juego de piezas para reparación (Incluye 8, 9, 10, 11, 12 y 14)*			PK50	PK75	PK100

*Para modelos con impulsor de plástico solamente

El juego incluye boquilla y venturi para pozos poco profundos, que no son necesarios con modelos para pozos profundos.

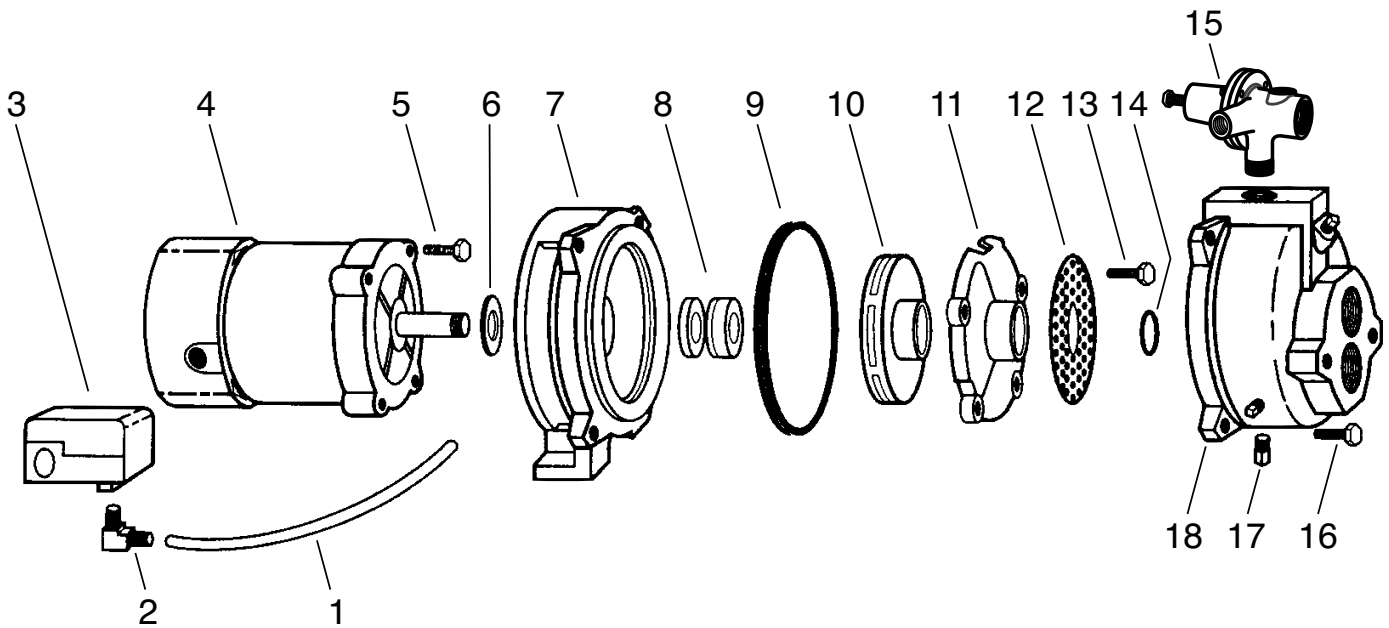
HR para pozos poco profundos



Ref.	Descripción	Cant.	No. de piezas
1	Soporte	1	25383B000
2	Tubería	1	U37-677P
3	Accesorio, Dentado, Codo	2	U111-212T
4	Manóstato, 30-50	1	U217-1218
5	Motor	1	J218-590PKG
6	Tornillo prisionero	4	19101A022
7	Arandela	4	05454A007
8	Junta de la placa	1	24452C000
9	Empaquetadura	1	05014A157
10	Junta del eje	1	14525A000K
11	Impulsor, plástico	1	16622B015
11	Impulsor, latón	1	17682B003
12	Venturi	1	25886A500
13	Difusor	1	12371B000K
14	Boquilla	1	12367A000
15	Caja	1	24357D000
16	Tapón de tubería de 1/4 HEX	2	05022A092
Juego de piezas para reparación (Incluye 9, 10, 11, 12, 13 y 14)*			PK50

*Para modelos con impulsor de plástico solamente

HR Deep Well



Ref.	Descripción	Cant.	No. de piezas
1	Pedestal, Motor	1	25383B001
2	Tubería	1	U37-677P
3	Accesorio, dentado, codo	2	U111-212T
4	Manóstató	1	U217-1218
5	Motor	1	J218-590PKG
6	Tornillo de cabeza	4	19101A022
7	Arandela de seguridad	4	05454A007
8	Placa selladora	1	24452C000
9	Obturador, Eje	1	14525A000K
10	Empaquetadura	1	05014A157
11	Impulsor, plástico	1	16622B015
	Impulsor, latón		17682B003
12	Difusor	1	12371B000K
13	Aro tórico	1	05876A003
14	Tornillo de cabeza	3	19099A023
15	Caja	1	24358D000
16	Juego, Regulador	1	15285A033
17	Tapón, tubería 1/4 HEX	3	05022A092
Juego de piezas para reparación (Incluye 9, 10, 11, 12 y 13)*			PK50

*Para modelos con impulsor de plástico solamente
El juego incluye boquilla y venturi para pozos poco profundos,
que no son necesarios con modelos para pozos profundos.