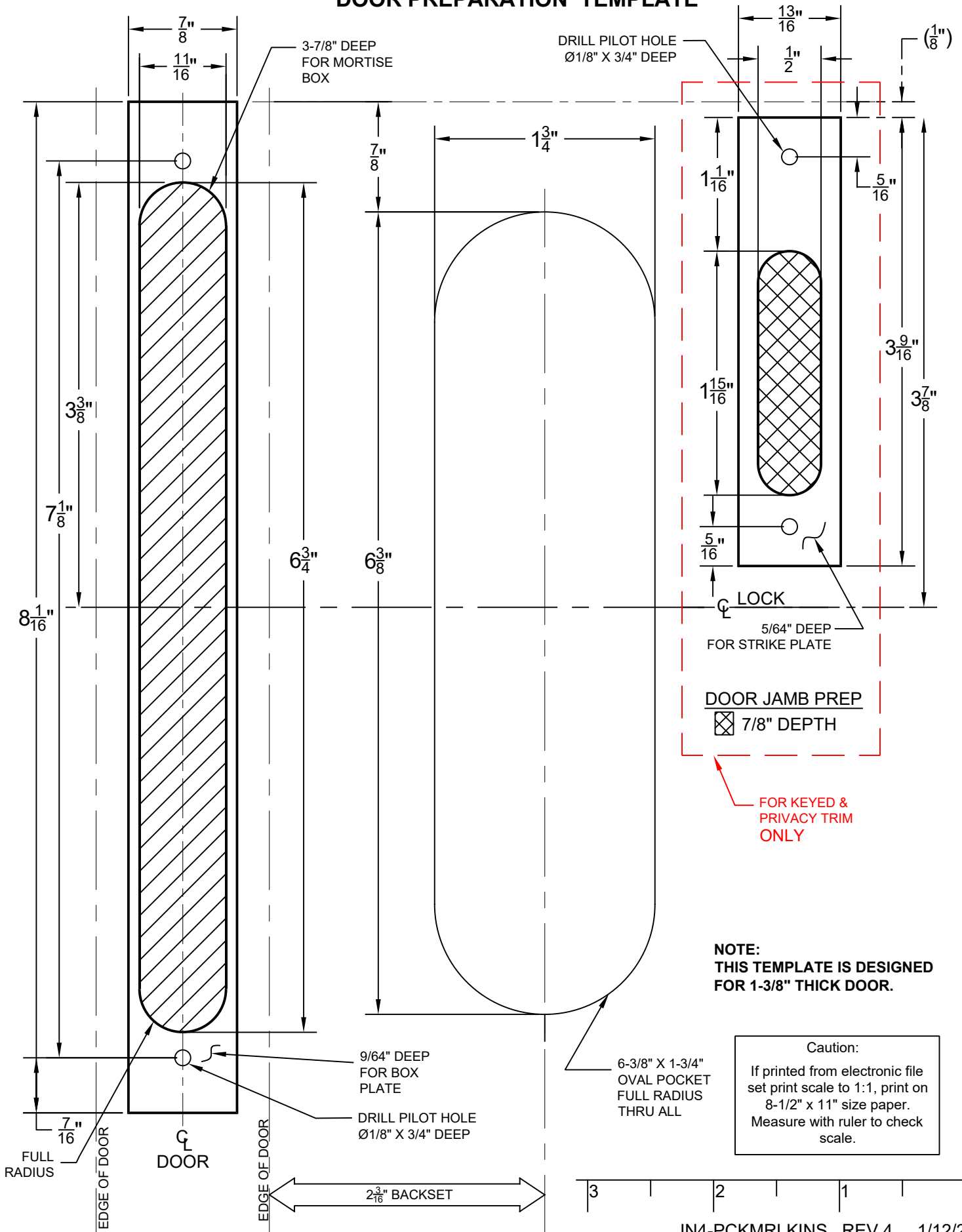


**NARROW OVAL & NARROW MODERN RECTANGULAR
POCKET DOOR MORTISE
DOOR PREPARATION TEMPLATE**



Narrow Oval & Narrow Modern Rectangular Pocket Mortise

PM

Narrow Oval & Narrow Modern Rectangular Pocket Mortise

PM

3

2

1

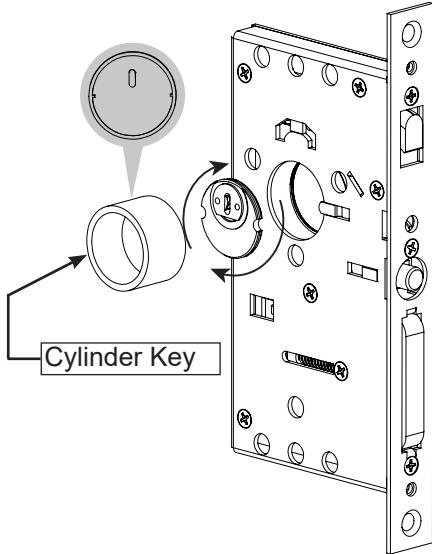
0

IN4-PCKMRLKINS REV 4 1/12/2023

1. Thread Drive Bar Cylinder

Use Cylinder Key to thread Drive Bar Cylinder clockwise on interior side of door.

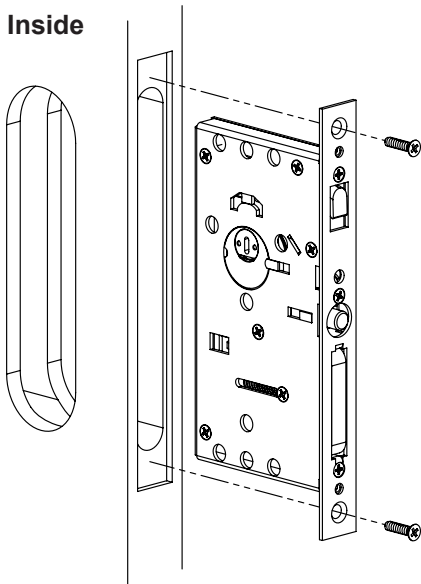
Inside



Note: Notches on cylinder must be parallel with the horizontal plane when screwed flush into lock body.

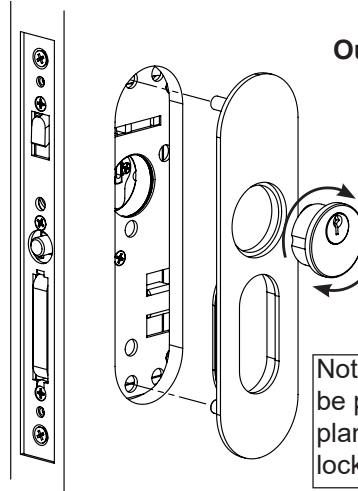
2. Install Lock Body

Inside



See template for door prep specifications

3. Install Outside Plate and Thread Key Cylinder



Outside

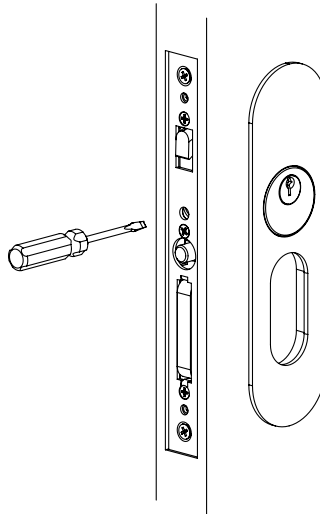
TRIMS VARY
NARROW OVAL SHOWN

Install Key Cylinder by threading it clockwise onto lock body plate.

Note: Key Cylinder notches must be parallel with the horizontal plane when fully screwed into lock body.

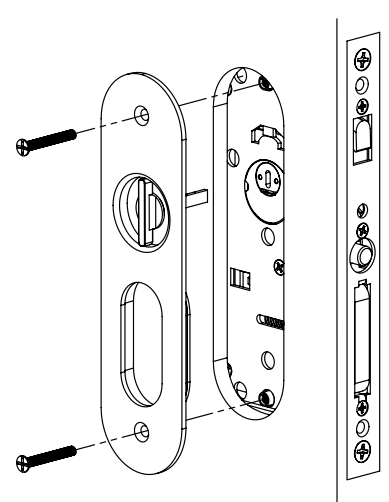
4. Tighten Key Cylinder

Tighten locking screw to engage notches on cylinder

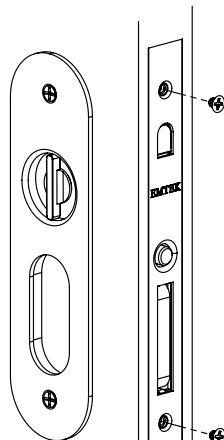


5. Mount Inside Plate

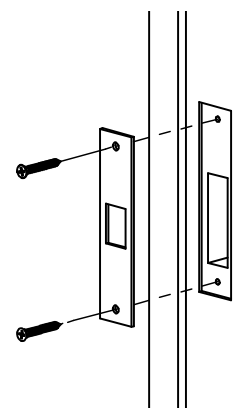
Inside



6. Install Trim Plate



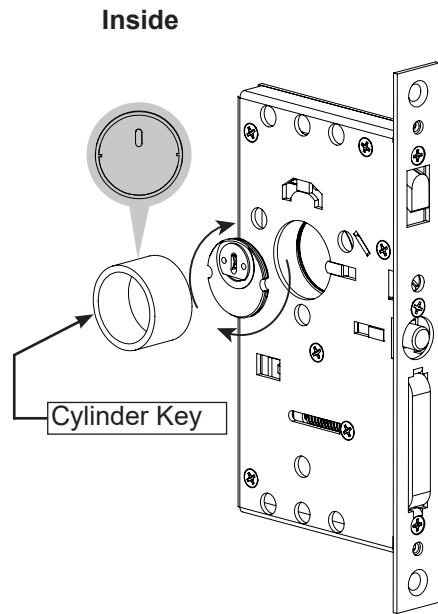
Door Jamb Prep.



See template for door jamb prep specifications

1. Thread Drive Bar Cylinder

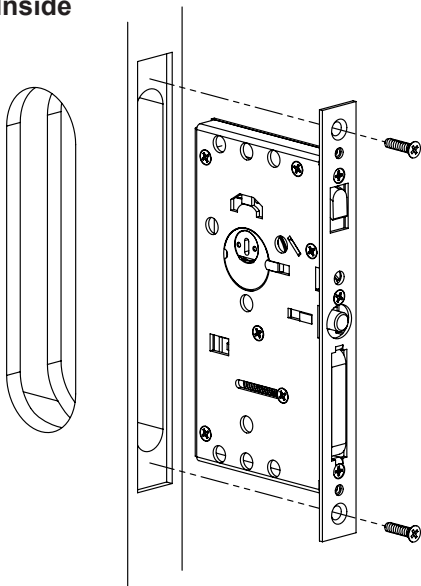
Use Cylinder Key to thread Drive Bar Cylinder clockwise on interior side of door.



Note: Notches on cylinder must be parallel with the horizontal plane when screwed flush into lock body.

2. Install Lock Body

Inside



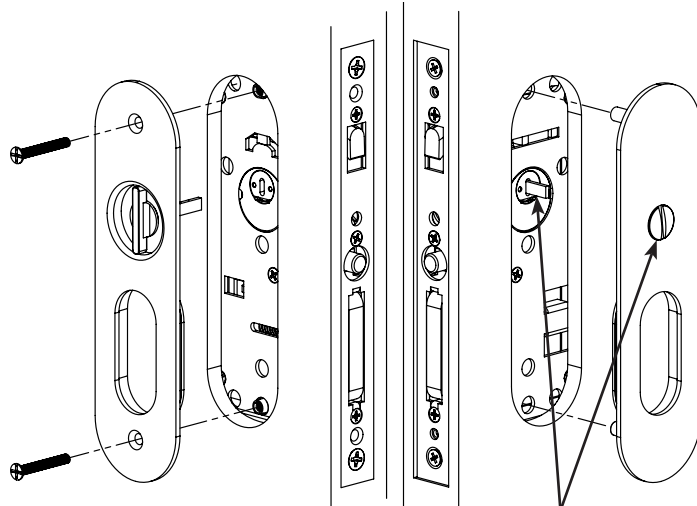
See template for door prep specifications

3. Install Inside and Outside Plates

Inside

TRIMS VARY NARROW OVAL SHOWN

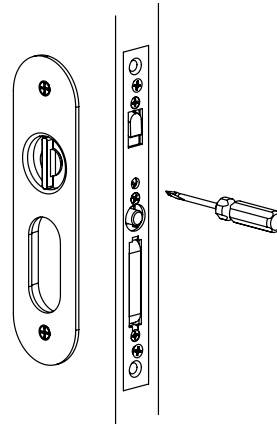
Outside



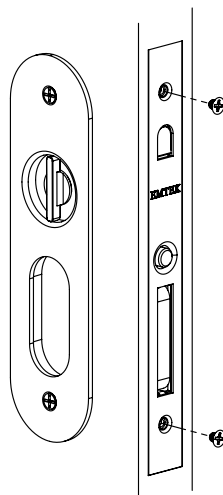
Align Passage/Privacy button with Thumb-turn tail piece and secure trim plates to door.

4. Tighten Drive Bar Cylinder

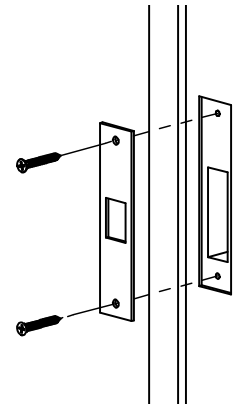
Tighten locking screw to engage notches on cylinder



5. Install Trim Plate



Door Jamb Prep.

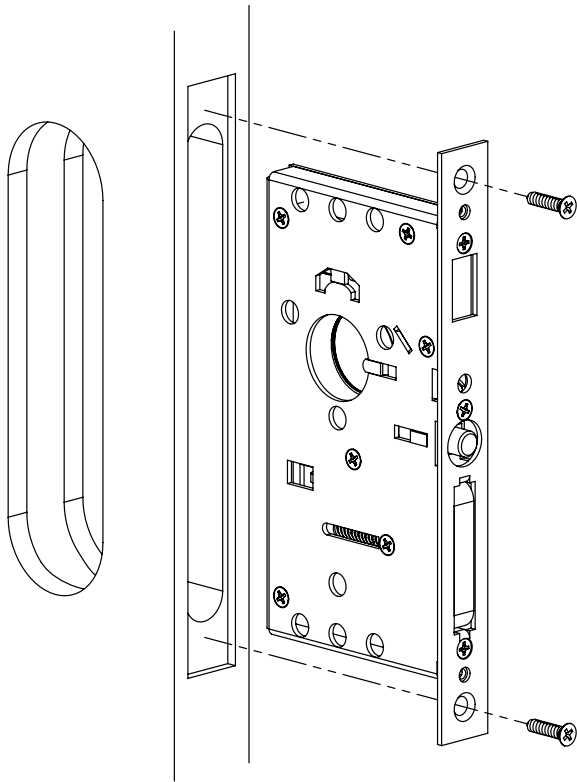


See template for door jamb prep specifications

EMTEK® Passage/Dummy Function Installation Guide

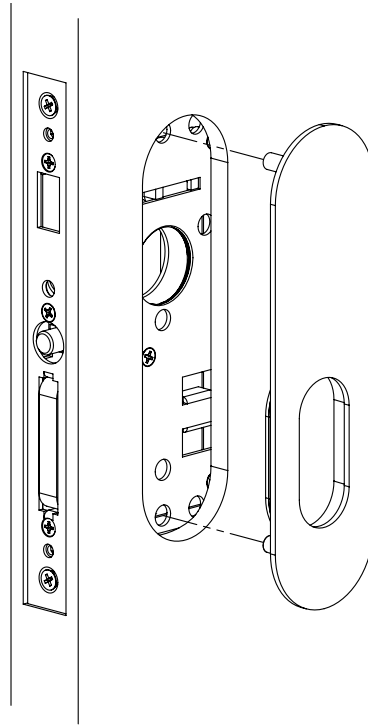
Narrow Oval & Narrow Modern Rectangular Pocket Mortise

1. Install Lock Body



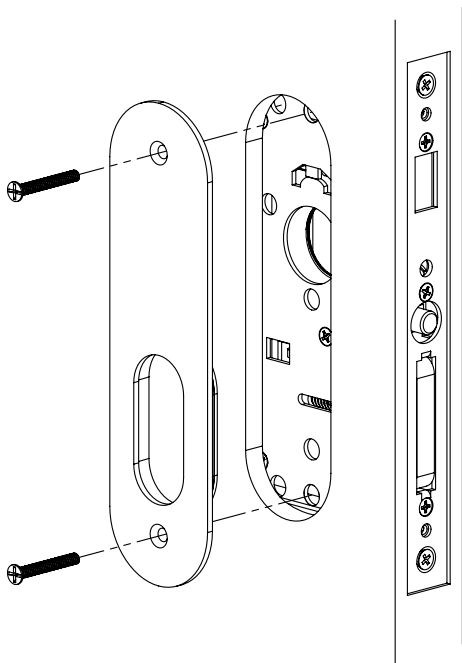
See template for door prep specifications

2. Install Outside Plate

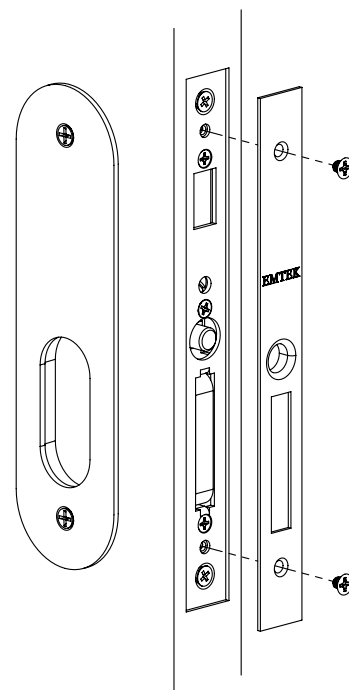


TRIMS VARY
NARROW OVAL SHOWN

3. Install Inside Plate



4. Install Trim Plate



Passage Trim shown