
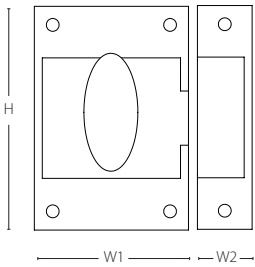
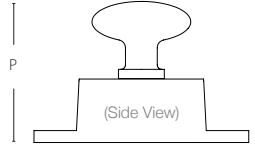


TRADITIONAL

Cabinet Latch Technical Specifications

EMTEK

Cabinet Latch

	<p>(Top View)</p>  <p>H</p> <p>W1</p> <p>W2</p> <p>(Side View)</p>  <p>P</p>	<p>Product Code</p>	<p>Case Width(W1)</p>	<p>Strike Width(W2)</p>	<p>Case Height(H)</p>	<p>Projection with Thumbturn(P)</p>
		2270	1 9/16"	9/16"	2 1/4"	1 3/8"