

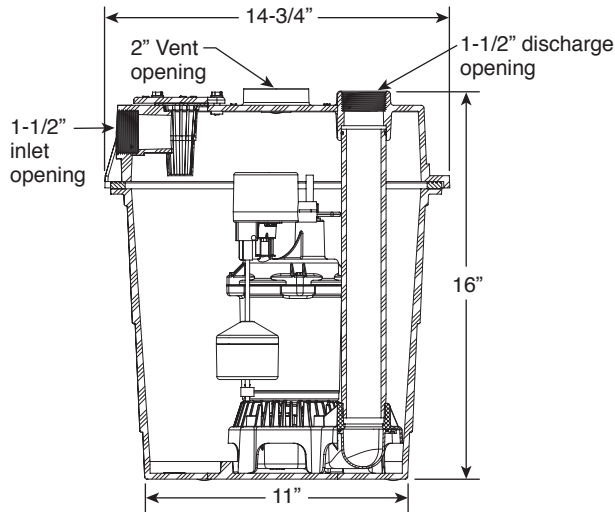
**MYERS®**


Diagram 1

**⚠ WARNING** Warranty void if product modified, painted, or altered in any way; if used to pump hot water, or to pump liquids other than water (such as but not limited to salt water, brine, chemicals, fertilizers, flammable liquids, herbicides, mud, tar, cement, wood chips); or otherwise abused.

The Model ED-MS33PV10 Sink Pump System is especially designed for pumping wastewater from laundry trays, washing machines, wet bars, dehumidifiers, etc. This pump system can not be used for laundry/dishwasher applications in a commercial or industrial environment.

#### California Proposition 65 Warning

**⚠ WARNING** This product and related accessories contain chemicals known to the State of California to cause cancer, birth defects or other reproductive harm.

### INSTALLATION INSTRUCTIONS

**⚠ CAUTION** Pump power cord is coiled inside the basin for shipment. Remove the extra cord from the basin before operation.

Diagrams 1 and 2 show the various connections that must be made for proper installation and operation. This is only a guide – actual installation may vary depending on the particular situation.

**Inlet:** A 1½" inlet is provided on the ED-MS33PV10 Sink Tank System. One method of hook up is to use a ½" PVC MNPT adapter or a ½" PVC MNPT marvel connection (or a similar type of connection). You may use a ½" extension tail piece or 1½" PVC pipe, it depends on the type of fittings used on the basin inlet. A P-trap should be installed once the appropriate connections are made on the basin inlet. Once these fittings are installed the rest of the piping may be plumbed.

**Vent:** Provision has been made for a 2" vent to allow maximum volume for any application and proper operation of pump. The vent may be reduced to no less than 1¼".

Venting is essential for proper pump operation and should not be omitted. The ED-MS33PV10 Sink Pump System may be vented into an existing vent stack or other approved open air vent. Any other fixtures in the system must be vented separately from the ED-MS33PV10 Sink Pump System. Be sure to comply with local codes.

**Discharge:** Do not restrict discharge line below 1¼". A check valve MUST be installed to prevent back flow of water after each cycle. If you are using 1½" or 1¼" PVC pipe on the discharge line, a Myers® CV-150 check valve is recommended. Once check valve has been installed plumb the discharge line into an existing drain line.

**Air-Locking Prevention:** Be certain sump basin is clean and all power to the pump is off. Drill a 1/8" relief hole in the pipe just above where the pipe connects to the pump. This hole prevents pump from air-locking.

**Basin:** Myers Model ED-MS33PV10 Sink Pump System includes a corrosion-resistant polypropylene tank with a gasketed cover. An inlet strainer is provided in the basin cover above the inlet. The strainer is sealed and held in place with the four thumb screws provided.

NOTE: Although unions are encouraged to be used for ease of maintenance, the use of unions are based on the installer's preference.

### MAINTENANCE

**⚠ CAUTION** Always disconnect pump from the electrical power source before doing any maintenance.

Your sink pump system is manufactured for easy maintenance. Each unit is individually factory-tested to ensure proper adjustment and operation. If unit fails to operate properly, carefully read instructions again to make sure correct procedure has been followed. Note: The basin strainer requires routine maintenance. The strainer should be removed and cleaned monthly to prevent clogging.

### ELECTRICAL INFORMATION

**⚠ WARNING** Risk of electrical shock. This pump is supplied with a grounding conductor and grounding type attachment plug. To reduce risk of electrical shock, connect only to a properly grounded grounding-type receptacle. This pump has not been investigated for use in swimming pool areas. DO NOT WORK ON PUMP UNTIL POWER IS UNPLUGGED. DO NOT cut off ground pin or use an adapter fitting. DO NOT use an extension cord. The pump power cord should be connected to a separately fused, grounded 115 volt line with a minimum capacity of 15 amps. NEVER touch the pump when it is connected to electrical power. The receptacle should be located at least 4 feet above floor level.

When wiring this pump follow all local electrical and safety codes and ordinances as well as the most recent National Electrical Code (NEC-ANSI/NFPA 70)

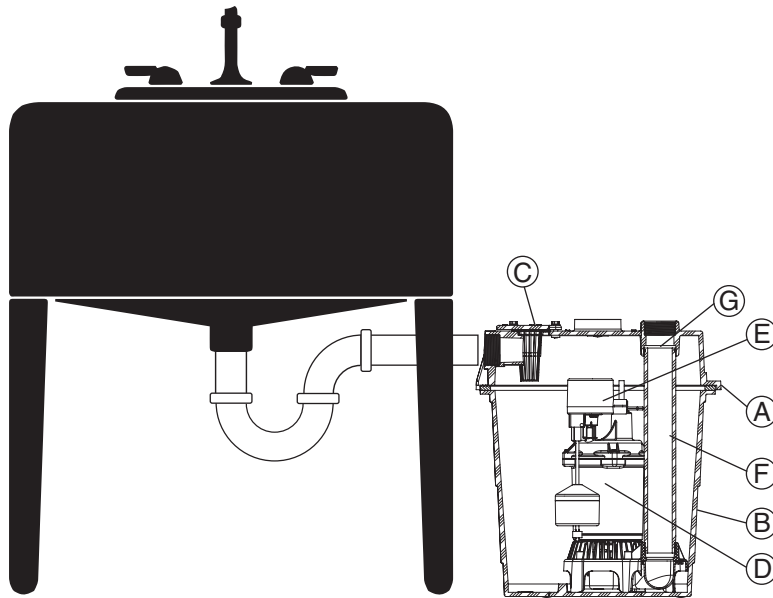


Diagram 2

Ref. No.	Description	Part Number	Qty.
A	Basin Cover	25540C001	1
B	Basin Bottom	25530C000	1
C	Kit, Strainer, Strainer Cover, Strainer Gasket, Screws, Basin Gasket & Cover Screws	25540C002K	1
D	Pump	MS33PV10	1
E	Switch	PS117-2126	1
F	Pipe, Discharge	U37-706	1
G	Ring, "O" 1-3/4 x 1-15/16 x 3/32	05876A244	1

### Limited Warranty

Myers warrants to the original consumer purchaser ("Purchaser" or "You") of the products listed below, that they will be free from defects in material and workmanship for the Warranty Period shown below.

Product	Warranty Period whichever occurs first:
Jet pumps, small centrifugal pumps, submersible pumps and related accessories	12 months from date of original installation, or 18 months from date of manufacture
Fibrewound Tanks	5 years from date of original installation
Steel Pressure Tanks	5 years from date of original installation
Sump/Sewage/Effluent Products	12 months from date of original installation, or 36 months from date of manufacture
Battery Backup Units MBSP-2, MBSP-2C  MBSP-3, MBSP-3C	12 months from date of original installation, or 18 months from date of manufacture  24 months from date of original installation, or 30 months from date of manufacture
Wastewater Solids Handling Pumps	12 months from date of shipment from factory or 18 months from date of manufacture

Our warranty applies only where such products are used in compliance with the requirements of the applicable product catalog and/or manuals. For additional information, please refer to the applicable standard limited warranty featured in the product manual.

Our warranty will not apply to any product that, in our sole judgement, has been subject to negligence, misapplication, improper installation, or improper maintenance. Without limiting the foregoing, operating a three phase motor with single phase power through a phase converter will void the warranty. Note also that three phase motors must be protected by three-leg, ambient compensated, extra-quick trip overload relays of the recommended size or the warranty is void.

Your only remedy, and MYERS's only duty, is that MYERS repair or replace defective products (at MYERS's choice). You must pay all labor and shipping charges associated with this warranty and must request warranty service through the installing dealer as soon as a problem is discovered. No request for service will be accepted if received after the Warranty Period has expired. This warranty is not transferable.

MYERS SHALL NOT BE LIABLE FOR ANY CONSEQUENTIAL, INCIDENTAL, OR CONTINGENT DAMAGES WHATSOEVER.

THE FOREGOING LIMITED WARRANTIES ARE EXCLUSIVE AND IN LIEU OF ALL OTHER EXPRESS AND IMPLIED WARRANTIES, INCLUDING BUT NOT LIMITED TO IMPLIED WARRANTIES OF MERCHANTABILITY AND FITNESS FOR A PARTICULAR PURPOSE. THE FOREGOING LIMITED WARRANTIES SHALL NOT EXTEND BEYOND THE DURATION PROVIDED HEREIN.

Some states do not allow the exclusion or limitation of incidental or consequential damages or limitations on the duration of an implied warranty, so the above limitations or exclusions may not apply to You. This warranty gives You specific legal rights and You may also have other rights which vary from state to state.

This Limited Warranty is effective April 1, 2014 and replaces all undated warranties and warranties dated before April 1, 2014.

#### F.E. MYERS

293 Wright Street, Delavan, WI 53115

Phone: 888-987-8677 • Fax: 800-426-9446 • [www.femyers.com](http://www.femyers.com)

In Canada: 490 Pinebush Road, Unit 4, Cambridge, Ontario N1T 0A5

Phone: 800-363-7867 • Fax: 888-606-5484