

# CANDELABRA EDGE FILAMENT



## DESCRIPTION

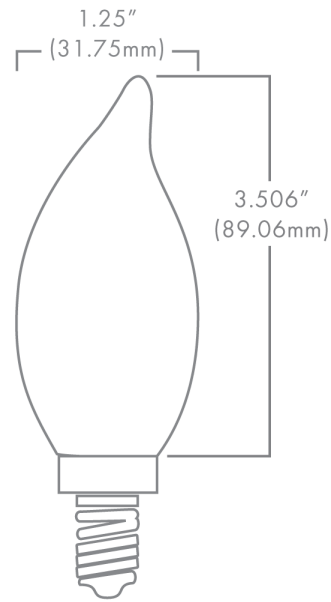
The Brilliance Candelabra Edge Filament lamp is a decorative light source and gives the effect of an original Edison lamp, making it great for indoor chandeliers and anywhere a warm light is desired. Dimmable with Brilliance Dimmer and most magnetic transformers.

## CANDELABRA EDGE FILAMENT FEATURES

- Flame tip style
- Clear, omni-directional light source
- Elegant, exposed filament design
- UL Certified E360351

## CANDELABRA EDGE FILAMENT SPECS

Wattage	<b>2W</b>	<b>3.5W</b>
Volt Amps	2.35	4.12
Lumens	<b>2700K</b>	105
	<b>3000K</b>	240
Kelvin Temperature	110	270
Operating Range	<b>2700, 3000</b>	
Replaces	<b>12 VAC/DC</b>	
CRI	<b>40W Incandescent</b>	
IP	<b>90</b>	
Lamp Life (hours)	<b>64</b>	
Warranty (years)	<b>30,000</b>	
	<b>3</b>	



Part Number: **CAN-FIL-EDGE-F-XX-XXXX-C-12**

Wattage Kelvin

