



StowAway Slides with self-closig action.

MODEL 3600-200

Fixed inboard bracket

MODEL 3600-201

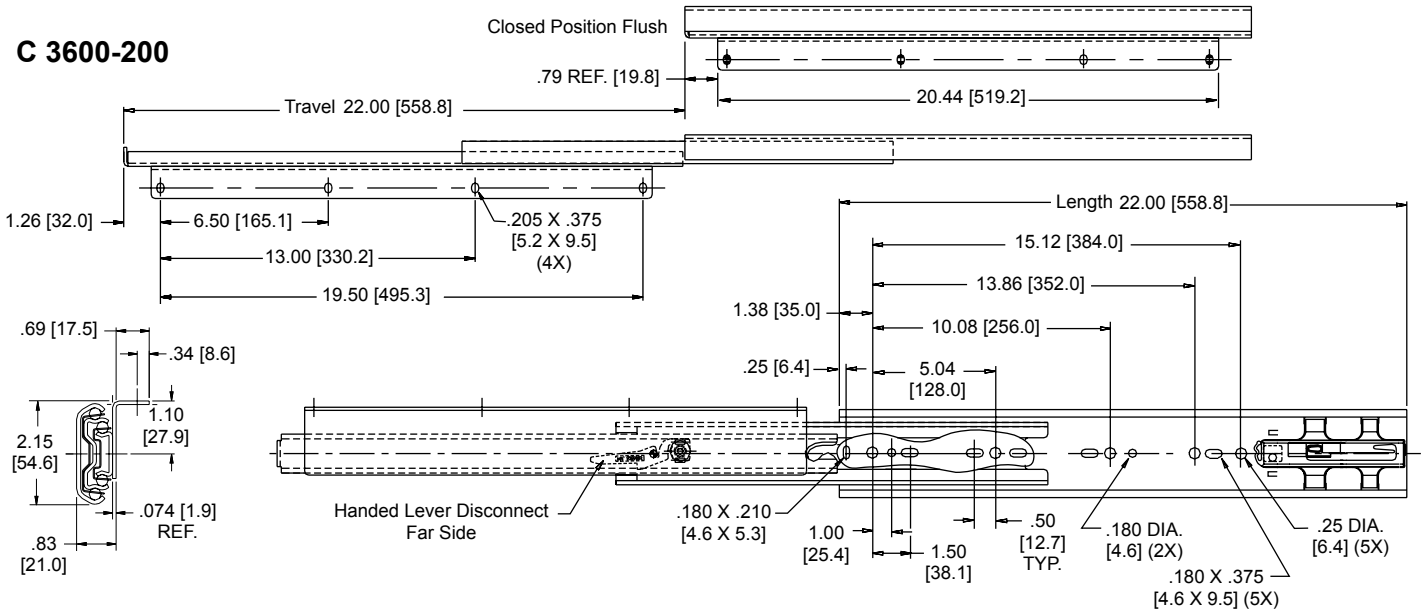
Fixed inboard top bracket and outboard bottom bracket.

APPLICATIONS: Use in kitchen and utility rooms for trash can pull-outs, storage shelves, and pantries. **This product is covered by U.S. (6,145,945) and various foreign patents issued and/or pending.**

3600-200/3600-201 QUICK REFERENCE

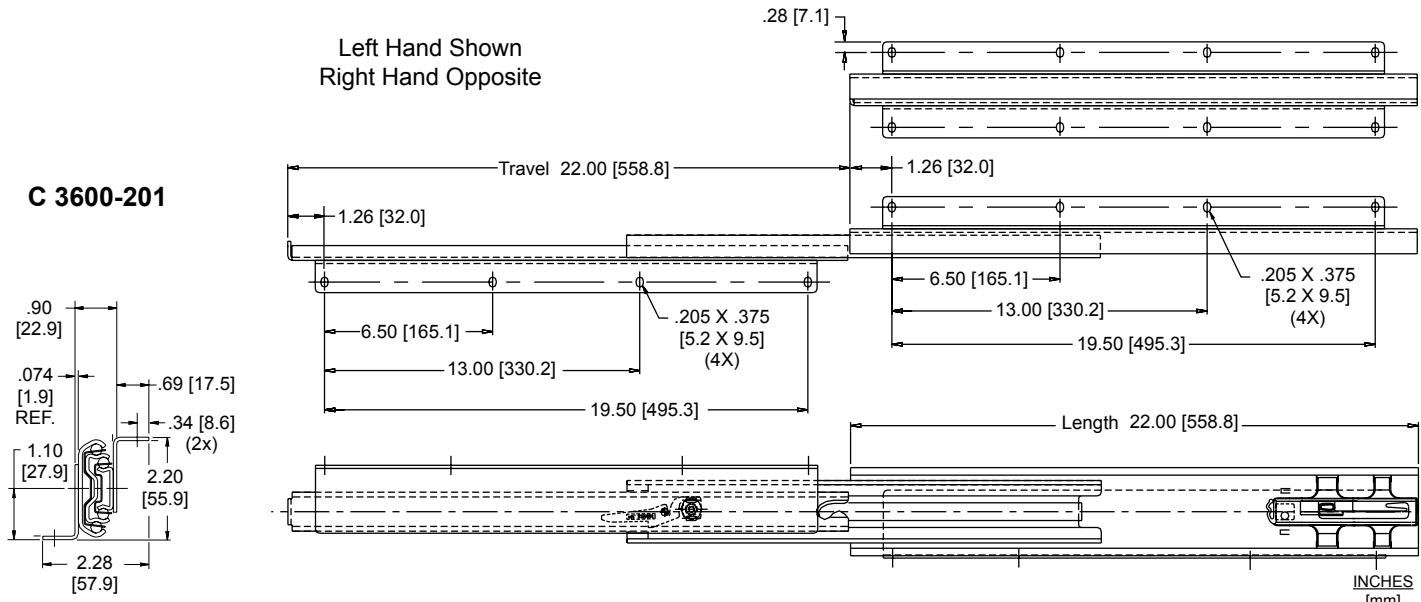
Total Side Space for 200: .83" x 2 with bracket
 Total Side Space for 201: 1.59" x 2
 Length: 22"
 Slide Dimensions for 200: 1.52" x 2.15"
 Slide Dimensions for 201: 2.28" x 2.20"
 Load Rating: 175 lbs.*

C 3600-200



Left Hand Shown
Right Hand Opposite

C 3600-201



Finishes	Bright electro-zinc (C) plating only	Mounting	3600-200: Fixed inboard bracket 3600-201: Fixed inboard top bracket and fixed outboard bottom bracket
Length	22" [559 mm] only	Hardware	Through slide: #8 truss head screw Through brackets: #10 pan head screws
Travel	Full extension	Features	Handed slide. Self-close action eliminates bounce-back and drawer creep. Handed lever disconnect. Silencing open and closed.
Height	3600-200 with bracket: 2.15" [54.6 mm] 3600-201 with brackets: 2.20" [55.9 mm]		
Side Space	3600-200 with bracket: .83" [21.0 mm] 3600-201 with brackets .90" [22.7 mm]		
Load	175 lbs. [80 kg.] per pair*		

* Load rating based on an 18" slide on a 20" wide drawer cycled 75,000 times.

Installation Instructions

Model 3600-200

Fixed Inboard Mounting Bracket

- To ensure proper operation of the slide, make certain all mounting screws are inserted so the screw heads are inside the slides.

NOTE: Secure slides using all mounting holes on the slide and on the bracket.

- With the slides fully extended, install slide outer members (largest) into cabinet using #8 screws (or 6 mm System screws, not provided by Accuride). Be sure slides are parallel.
- With slides extended, center the platform and drive the #10 screws up through the moving member brackets into the bottom of the platform.
- Adjust slide position until movement is smooth. Tighten all screws to complete installation.

Model 3600-201

Fixed Inboard Top Mounting Bracket and Fixed Outboard Bottom Mounting Bracket

- Mark a line at least .34" [8.6 mm] in from the right side of the cabinet opening and parallel to the cabinet side.
- Locate a point on this line 1.26" [32.0 mm] back from the desired front of the slide.
- Using #10 screws, mount the cabinet member bracket through the first hole at this point.
- Mount the left hand slide similarly, locating the screw centerline of the cabinet member bracket at least .34" [8.6 mm] in from the left side of the opening.
- Keeping the right and left hand slides parallel, install the remainder of the cabinet member screws.

NOTE: Secure slides using 4 screws per bracket.

NOTE: When using soft material such as particle board, replace the rear cabinet mounting screws with through bolts.

- With slides extended, center the platform and drive the screws up through the moving member brackets into the bottom of the platform.

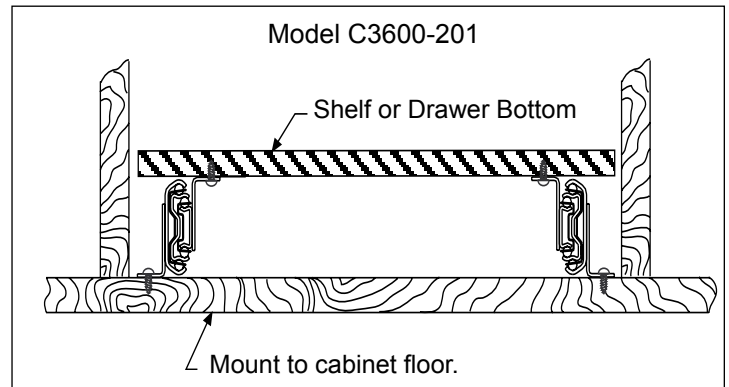
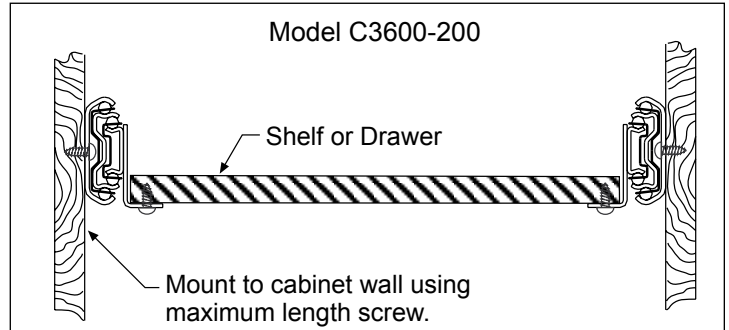
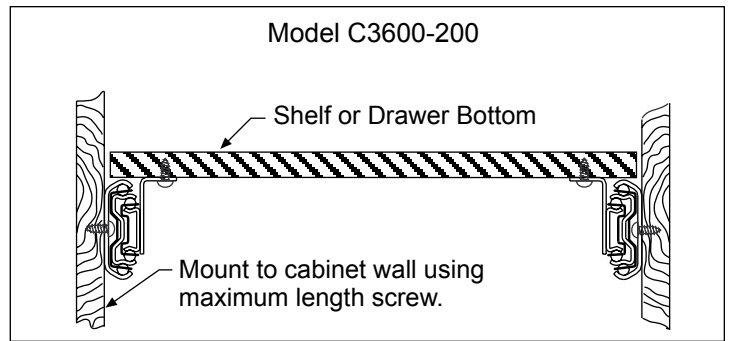
Slide Ordering Instructions

Complete your order for Accuride model 3600-200 or 3600-201 by specifying the following. Slides are handed. Ordered as pairs.

	4 Pair	C	3600-200	D
Total Slides Required	_____			
Slide Finish	_____			
Slide Model With Fixed Inboard Bracket	_____			
Optional Polybag Packaging	_____			

	4 Pair	C	3600-201	D
Total Slides Required	_____			
Slide Finish	_____			
Slide Model With Fixed Inboard Top Bracket and Fixed Outboard Bottom Bracket	_____			
Optional Polybag Packaging	_____			

For the most current technical information visit www accuride.com



Packaging

Models C3600-200 and C3600-201 are available in distributor packaging only.

Distributor (D) Pack: Packaged 4 pair per box. Polybag includes 1 pair of slides packed with mounting screws.

Specifications

Slide members: Cold rolled steel
 Ball retainers: Cold rolled steel
 Ball bearings: Carburized steel
 RoHs compliant.

NOTE: Specifications, materials, prices, terms, and delivery are subject to change without notice.

Accuride

ACCURIDE INTERNATIONAL INC.

12311 Shoemaker Avenue
 Santa Fe Springs, CA 90670

TEL (562) 903-0200
 FAX (562) 903-0208
www accuride.com

Manufacturing, Engineering, and Sales
 United States • Germany • Japan • Mexico • United Kingdom • China

Copyright © 2018 Accuride International Inc. 3700-9459(1096)-MK093-R7-0418