

BRYCE Hanging Down Light for AR11 or MR16



DESCRIPTION

The Bryce Hanging Down Light works with AR11 or MR16 lamps.

BRYCE HANGING DOWN LIGHT

Use	Downlighting Techniques in Trees or Architecture by Hanging on a Chain or Cable	
Finish	Brass, Copper, or Brass w/ Black Cerakote®	
Includes	LightingShrink Professional Crimp and Heat Shrink Cable Connector	
Order Without Lamp	Fits AR11	BRYCE-HDL-AR11-CU-NL BRYCE-HDL-AR11-BR-NL BRYCE-HDL-AR11-BR-BLK-NL
	Fits MR16	BRYCE-HDL-MR16-CU-NL BRYCE-HDL-MR16-BR-NL BRYCE-HDL-MR16-BR-BLK-NL



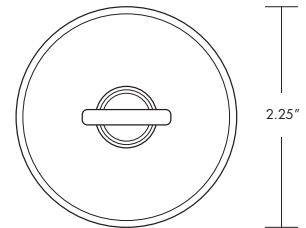
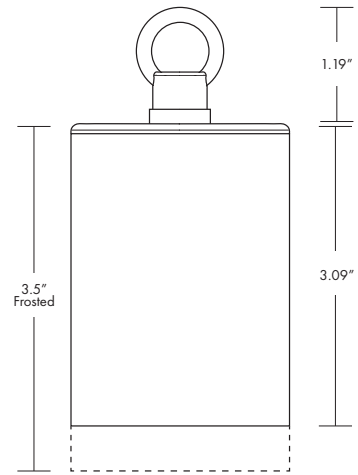
Brass (BR)



Copper (CU)



Brass + Black Cerakote®
(BR-BLK)



WILDLIFE LIGHTING CERTIFICATION PROGRAM

Certification Number: 2019-269

Certification Requirements: Amber LED; Must be installed below structures; Allowed on the ground floor only, unless on the landward side of the structure; Additional shielding may be necessary if visible from the beach





Application picture shown as **BRYCE-HDL-AR11-CU** (not in Amber)

INSTALLING THE LAMP

1. Unscrew the fixture body from the base.
2. Install the lamp in the socket.
3. Reinstall the fixture body.

HANGING THE FIXTURE

IMPORTANT: DO NOT INSTALL ON OR NEAR ANY HIGH VOLTAGE POWER LINES

1. Hang the fixture from a secure stainless steel eye bolt, with or without a chain.
2. Create a drip loop with the wire by bending the wire to a slope one inch below the fixture cap.

WILDLIFE LIGHTING CERTIFICATION PROGRAM

Certification Number: 2019-269

Certification Requirements: Amber LED; Must be installed below structures;
Allowed on the ground floor only, unless on the landward side of the structure;
Additional shielding may be necessary if visible from the beach

