

# BLAZE G4



## DESCRIPTION

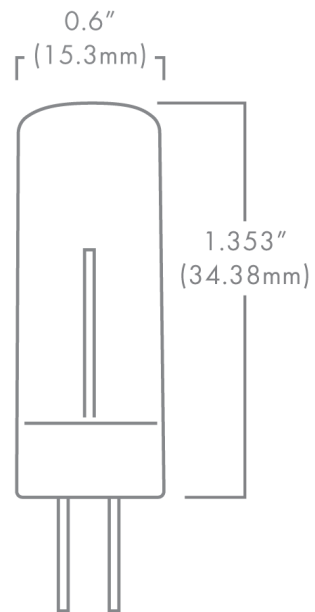
The Brilliance Blaze G4 Bi-Pin is a specialty lamp designed specifically to create a real, flame-like effect in any G4 base fixture. Perfect for path lights or anywhere a warm, flickering light is desired. The Blaze series is also offered in line voltage Candelabra option in an E12 base.

## BLAZE G4 FEATURES

- Low voltage flickering flame effect

## BLAZE G4 SPECS

Wattage	<b>2W</b>
Volt Amps	<b>3.33</b>
Lumens	<b>20-120</b>
Kelvin Temperature	<b>1400-1700</b>
Operating Range	<b>8-15 VAC/DC</b>
IP	<b>65</b>
Lamp Life (hours)	<b>30,000</b>
Warranty (years)	<b>3</b>



Part Number: **BRI-BLAZE-G4**

