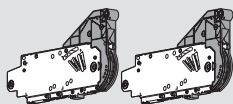


AVENTOS HL



Narrow aluminum frame door application

Lift mechanism set

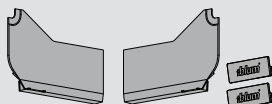


- Lift mechanism (qty 2)
- #7 x 35 mm (1-3/8") wood screw (qty 10)

Part no.

20L2100.N5
20L2300.N5
20L2500.N5
20L2700.N5
20L2900.N5

Cover set



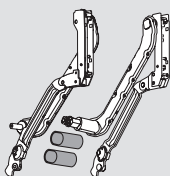
- Right and left cover plate
- Non-handed cover caps
- Colors: Light Gray, Dark Gray and Silk White

Part no.

Cover set

20L8020.NA

Arm assembly set



- Right and left arm assembly
- Stabilizer rod cover cap (qty 2)

Part no.

300 (11-13/16") - 349 (13-3/4")	20L3200.06
350 (13-13/16") - 399 (15-13/16")	20L3500.06
400 (15-3/4") - 550 (21-5/8")	20L3800.06
450 (17-11/16") - 580 (22-13/16")	20L3900.06

Oval stabilier rod



- Oval stabilizer rod
- Aluminum rod length **1061** (41-3/4"), cut to size
- Length = interior cabinet opening minus **129** (4-13/16")

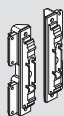
Part no.

Oval stabilizer rod

20Q1061UA

NOTE: For cabinets wider than 48" two stabilizer rods and stabilizer rod connector set required.

Narrow aluminum hardware set

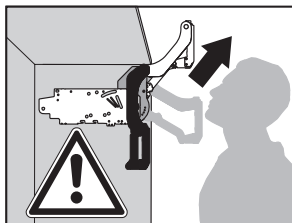


- Arm assembly mounting plate (qty2)
- 699.110 — Aluminum screw for narrow aluminum lever arm mounting plate (qty 8)

Part no.

Narrow aluminum hardware set

20S4200A

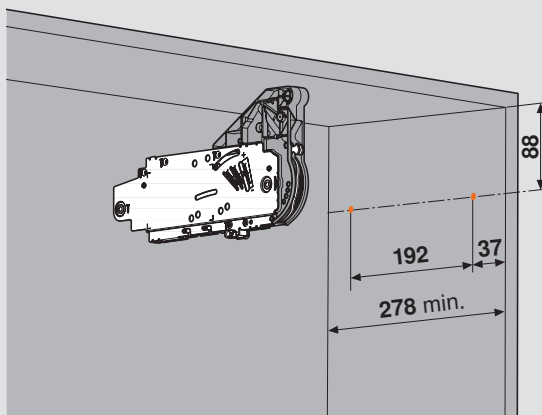


WARNING

Risk of injury from spring-loaded arm

- Do not push arm assembly down or leave in the down position.
- Remove mechanism before installing or removing cabinet.

1 Locating pin locations and minimum depth



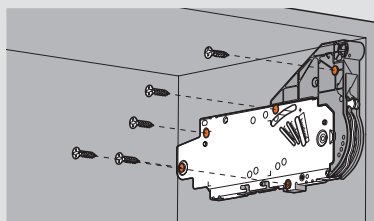
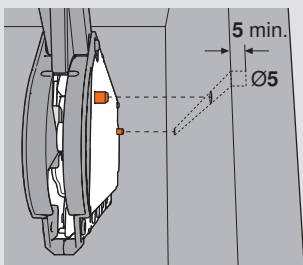
Part no.

Universal individual template is available for pre-boring holes for locating pins.

65.1051.02

2 Attaching the lift mechanism

Align the two locating pins on the lift mechanism with the two $\text{Ø}5 \times 5$ holes bored in the side of cabinet, and attach the mechanism with the five wood screws provided.



#7 x 35 (1-3/8") wood screws (qty 5)

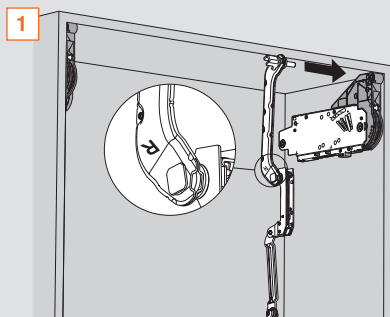
3 Attaching the arm assembly



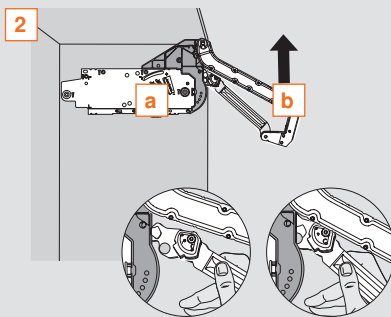
Risk of injury from spring loaded arm.

NOTE: Before starting, see safety note on page 2.

Find the right and left arm assemblies and match them to the correct side of the cabinet.



Attach the arm assembly to the lift mechanism as shown in illustrations.

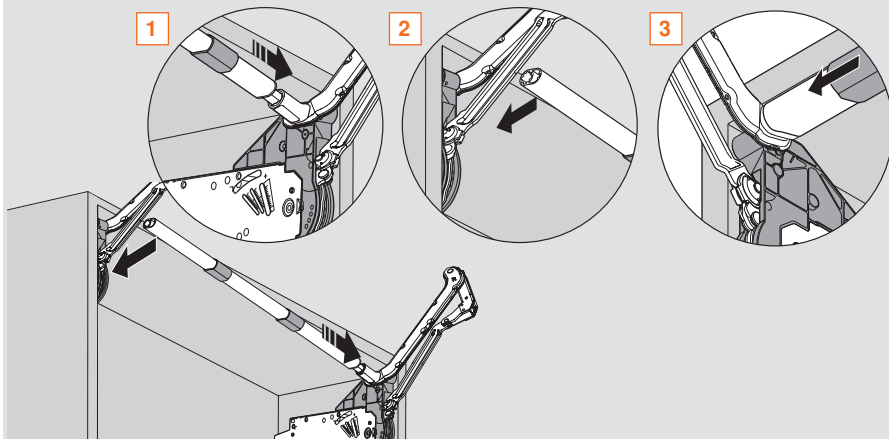


Lift up on the arm assembly to lock into place.

4 Attaching the stabilizer rod

Cut the stabilizer rod to fit the cabinet.

Length = Interior cabinet opening minus 129 (5-1/16")

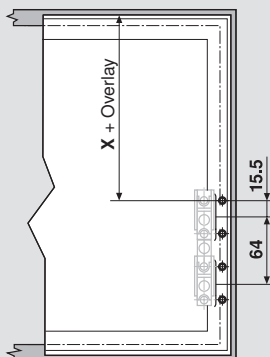


After cutting the rod to size, slide the stabilizer arm cover caps onto the rod. Attach the stabilizer rod to spring loaded arm assembly then slide stabilizer arm cover caps over rod on each end.

Attaching the mounting plates

5a Mounting plate position

Attach the mounting plate to the door.

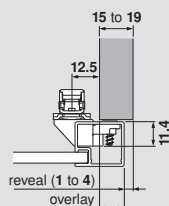


Minimum 5 side reveal when adjacent to wall.

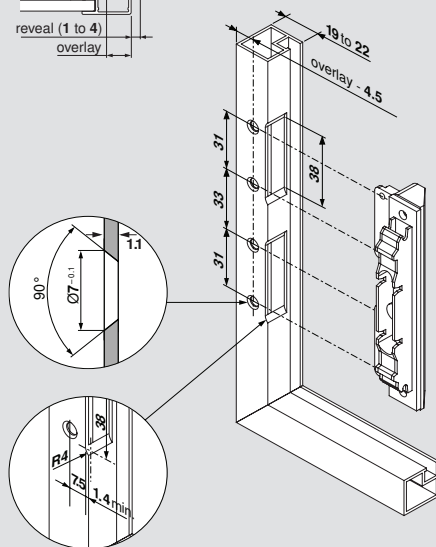
NOTE: All four screws must be installed.

Arm assembly	X
20L3200.06	153
20L3500.06	203
20L3800.06	253
20L3900.06	303

5b Planning narrow alum. frames

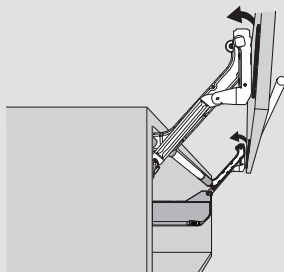
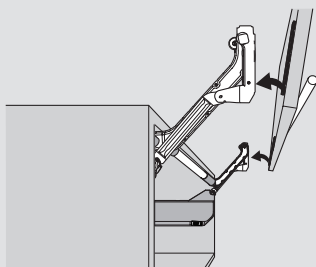


NOTE: When changing material thickness, adjust assembly dimensions.



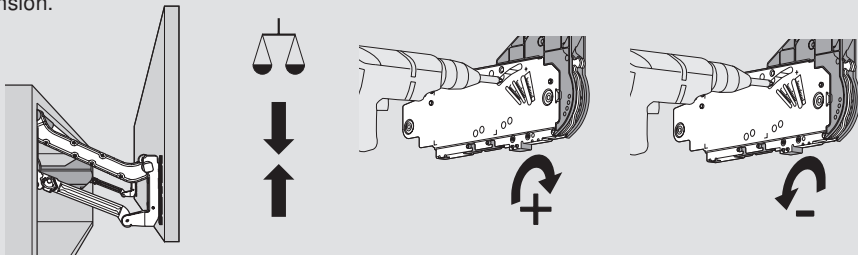
6 Attaching the door

Attach the door to the arm assembly using the CLIP mechanism.



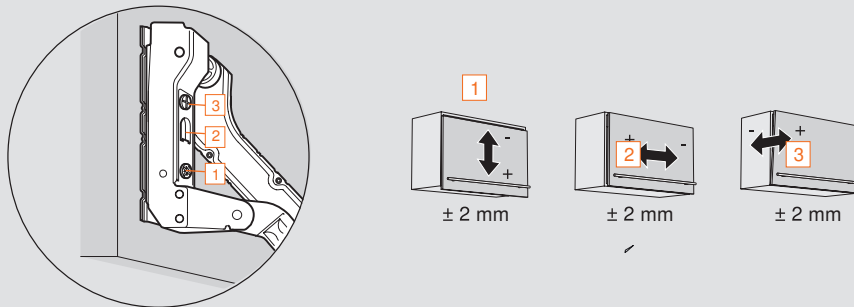
7 Adjusting the lift mechanism tension

Use a screw gun and the #2x2 POZI driver bit to adjust the lift mechanism to the desired tension.



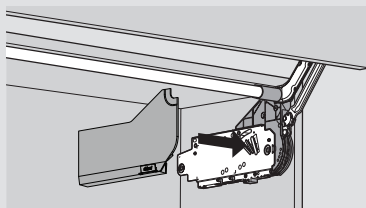
8 Adjusting the door

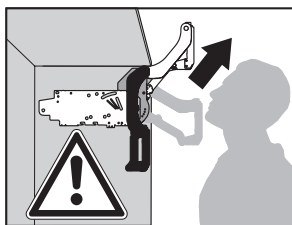
Use a POZI screwdriver to adjust cam adjustments for each of the three-dimensional adjustments. Tension should be the same on both lift mechanisms.



9 Attach covers

Place the left and right cover plates over the appropriate lift mechanisms and snap them in place.





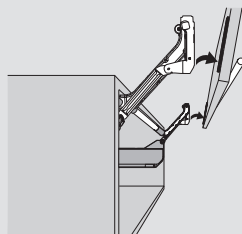
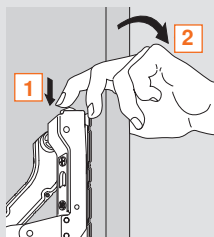
WARNING

Risk of injury from spring-loaded arm

- Do not push arm assembly down or leave in the down position.
- Remove mechanism before installing or removing cabinet.

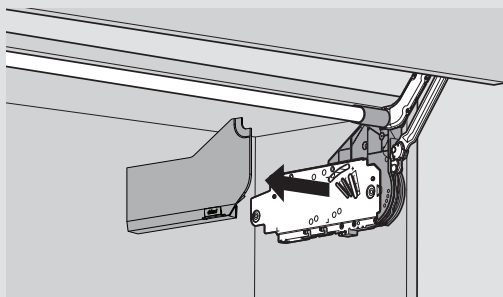
1 Removing the door

Open the door. Support the door with one hand and push down on tab to disengage the CLIP mechanisms on the arm assemblies of the mounting plates. Lift the door off the mounting plates.



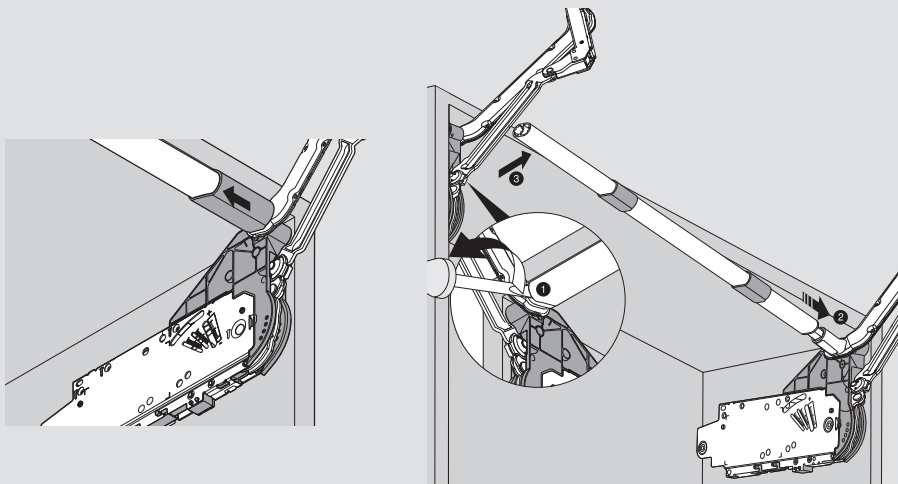
2 Remove the covers

Remove left and right cover plates.



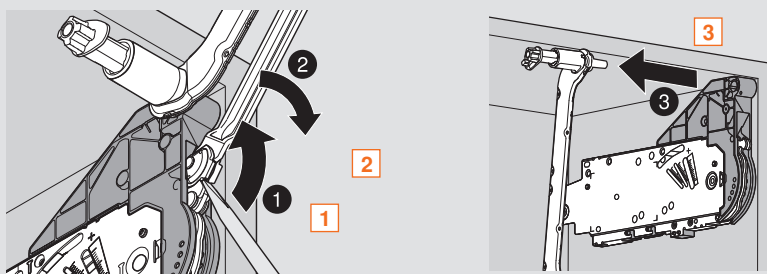
3 Remove the stabilizer rod

Pull back the stabilizer rod cover caps and remove the stabilizer rod from arm assembly.



4 Removing the arm assembly

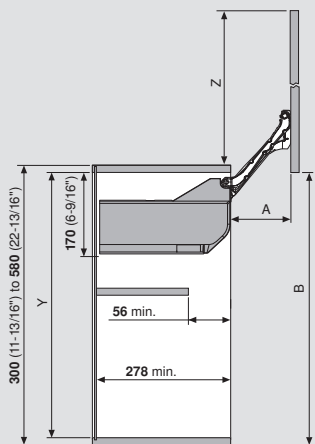
Use a screwdriver to disengage both arm assemblies. Remove arm assembly from mechanism.



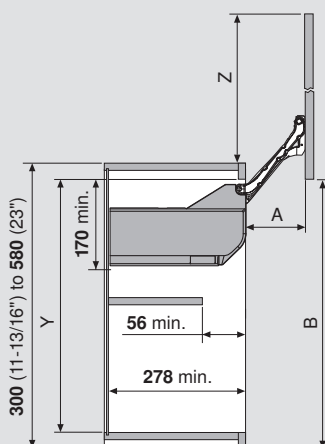
NOTE: Both tabs must be disengaged.

Space requirements

Frameless



Face frame



Frameless and face frame

Arm assembly	Cabinet height	Min. Y	A	B*	Z*
20L3200.06	300 (11-13/16") - 349 (11-13/16")	262	114	257	264
20L3500.06	350 (13-13/16") - 399 (15-13/16")	312	146	345	352
20L3800.06	400 (15-3/4") - 550 (21-5/8")	362	178	433	440
20L3900.06	450 (17-11/16") - 580 (22-13/16")	412	210	522	529

*based on top and bottom reveals of 0 mm – B and Z dimensions can be ± 15 mm due to range of adjustment, overpush and accuracy of installation

	Inch	mm	
	1/32	.031	1
	1/16	.063	1.5
	3/32	.094	2
	1/8	.125	3
	5/32	.156	4
	3/16	.188	5
	7/32	.219	5.5
	1/4	.25	6
	9/32	.281	7
	5/16	.313	8
	11/32	.344	9
	3/8	.375	9.5
	13/32	.406	10
	7/16	.438	11
	15/32	.469	12
	1/2	.5	13
	17/32	.531	13.5
	9/16	.563	14
	19/32	.594	15
	5/8	.625	16
	21/32	.656	17
	11/16	.688	17.5
	23/32	.719	18
	3/4	.75	19
	25/32	.781	20
	13/16	.813	20.5
	27/32	.844	21
	7/8	.875	22
	29/32	.906	23
	15/16	.938	24
	31/32	.969	24.5
	1	1	25.4