

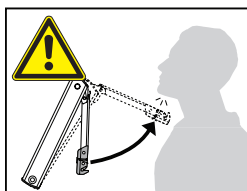
Required Parts

Lift mechanism set			
	Power factor range (1 lift)	Power factor range (2 lifts)	Part no.
	17 — 60	34 — 120	20K1101
	61 — 112	121 — 224	20K1301
	113 — 156	225 — 312	20K1501

Cabinet mounting plate		
	Frameless	Part no.
	Screw-on	20K5101
	EXPANDO (Ø5 dowel)	20K51E1
	Face frame	Part no.
	Screw-on	20K5501

Door mounting plate		
		Part no.
	Screw-on	20K4101
	NOTE: For use with large overlay five-piece doors	Part no.
	Screw-on	20K4501

Hinge recommendations		
	CLIP top BLUMOTION 110°	Part no.
	Press-in	71B3580
	Hinge mounting plate	Part no.
	EXPANDO (Ø5 dowel)	177H3100E
	COMPACT BLUMOTION 39C	Part no.
	32 (1-1/4") Overlay, Press-in	39C358B.20
	COMPACT BLUMOTION 38N	Part no.
	13 (1/2") Overlay, Press-in	38N358B.08



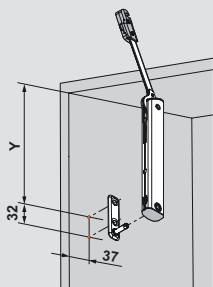
WARNING

Risk of injury from spring-loaded arm

- Do not push arm assembly down or leave in the down position
- Remove mechanism before installing or removing cabinet

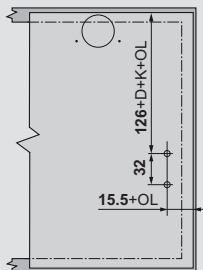
Lift mechanism

CLIP top Frameless



$$Y = 137 + D + K$$

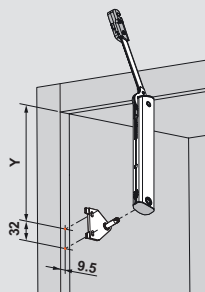
Door mounting plate



Attach using #6 x 5/8" (606N/P) wood screw

Lift mechanism

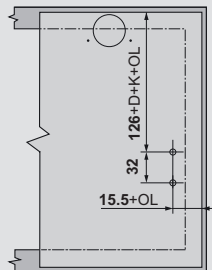
CLIP top Face frame



$$Y = 169 + D + K$$

Door mounting plate

When using large overlay mounting plate (20K4501) hole location is offset by **19 (15.5 + OL - 19)**

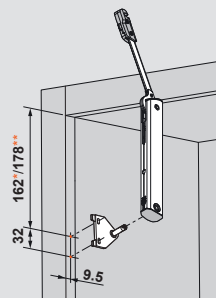


Attach using #6 x 5/8" (606N/P) wood screw

Lift mechanism

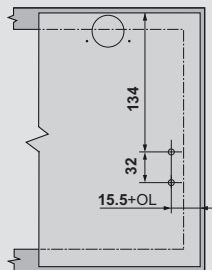
COMPACT Face frame

- *Location when using COMPACT 39/38C
- **Location when using COMPACT 38N



Door mounting plate

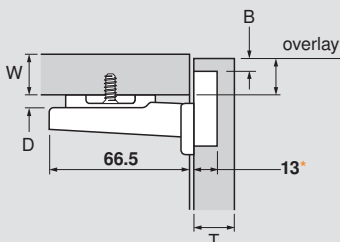
When using large overlay mounting plate (20K4501) hole location is offset by **19 (15.5 + OL - 19)**



Attach using #6 x 5/8" (606N/P) wood screw

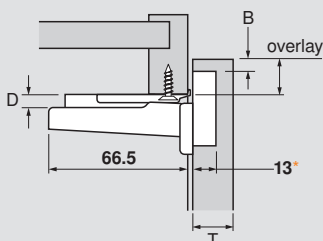
Abbreviations			
W	= Side panel width	K	= Hinge arm crank
T	= Door thickness	OL	= Overlay
D	= Mounting plate height	K = Hinge arm crank	
		Straight arm crank	= 0
		Half-cranked arm	= 9.5
		Full-cranked arm	= 18

CLIP top BLUMOTION 110°



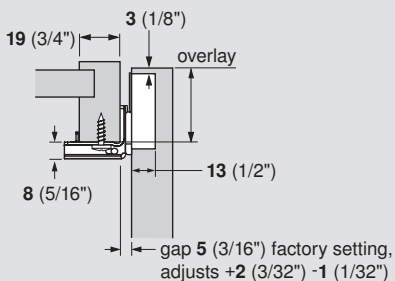
*All 35 mm and 8 mm holes must be a minimum of 13 deep

CLIP top BLUMOTION 110°



*All 35 mm and 8 mm holes must be a minimum of 13 deep

COMPACT BLUMOTION 39C



NOTE: for other overlays see Concealed hinges brochure

Minimum Reveal Table

CLIP top BLUMOTION 110°						
3	0.5	1.0	1.8	2.7	4.3	
4	0.5	1.0	1.7	2.5	3.8	
5	0.5	0.9	1.7	2.4	3.4	
6	0.5	0.9	1.6	2.3	3.2	
7	0.5	0.9	1.6	2.2	3.0	
B = boring distance	16	19	22	24	26	T = door thickness

For thickness greater than 26 trial app. recommended

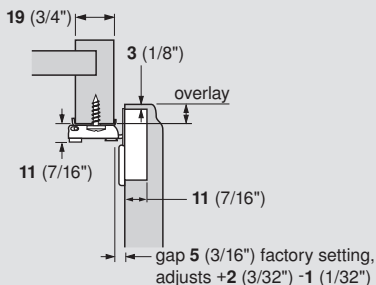
COMPACT BLUMOTION 39C

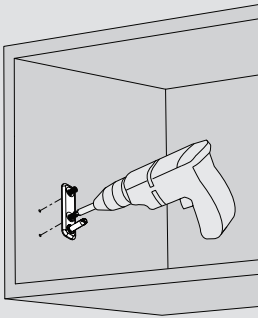
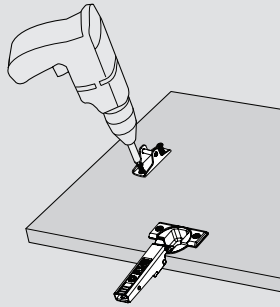
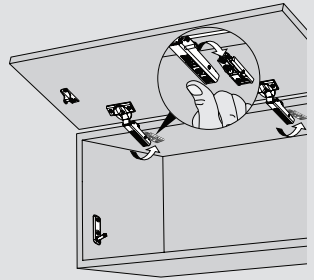
3 (1/8")	5.5 (7/32")
	19 (3/4")
B = boring distance	T = door thickness

COMPACT BLUMOTION 38N

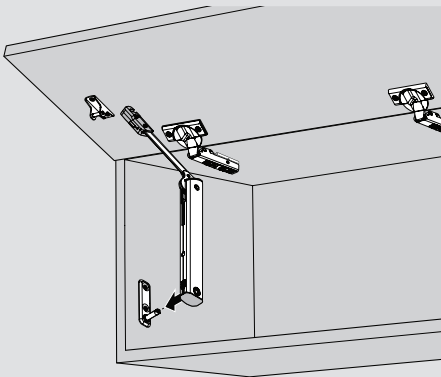
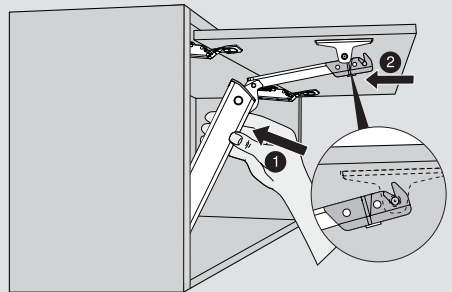
3 (1/8")	7 (9/32")
	19 (3/4")
B = boring distance	T = door thickness

COMPACT BLUMOTION 38N

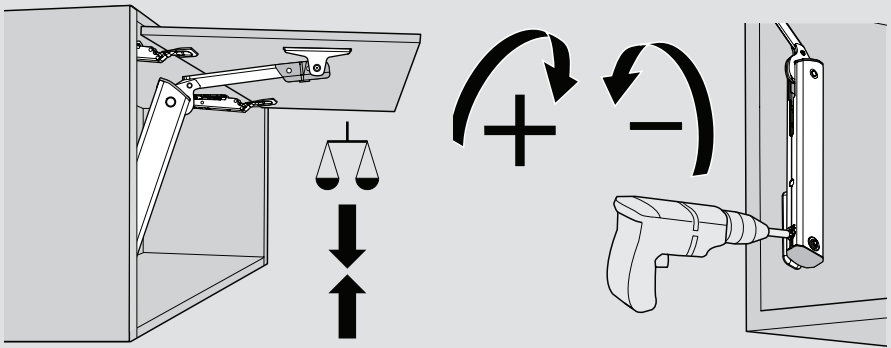


1 Attaching cabinet and door mounting plate**1a** Attach cabinet mounting plate**1b** Attach door mounting plate. Insert hinge.**1c** Attach door to the cabinet

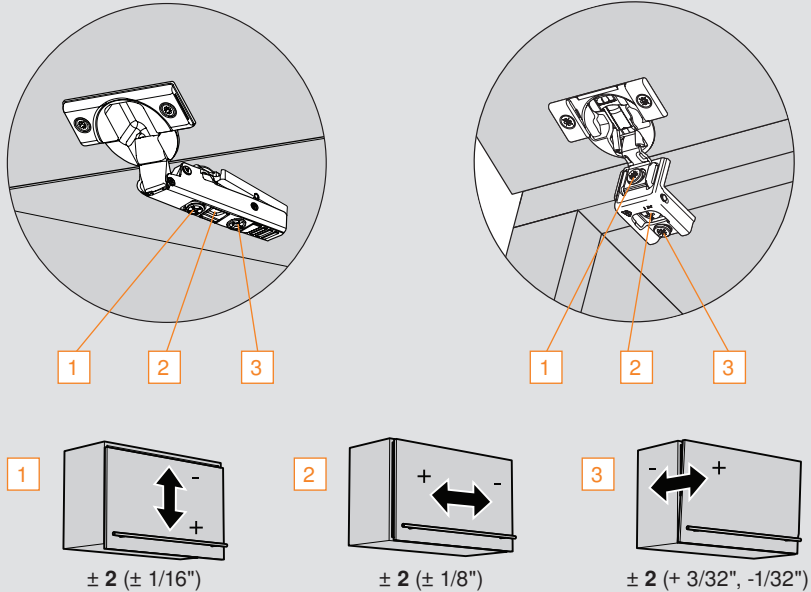
Attach the door using the CLIP mechanism in the mounting plate.

2 Attaching lift mechanism to cabinet**2a** Attach lift to cabinet mounting plate**2b** Attach lift mechanism to door

3 Adjusting the lift mechanism

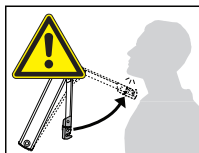


4 Adjusting the door



NOTE: CLIP top (COMPACT) adjustment

Use a POZI screwdriver on cam adjustments for each of the three 3-dimensional adjustments.



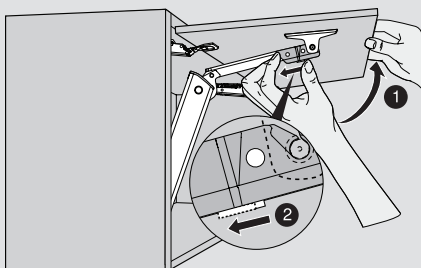
WARNING

Risk of injury from spring-loaded arm

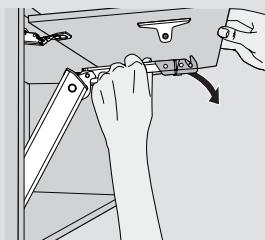
- Do not push arm assembly down or leave in the down position
- Remove mechanism before installing or removing cabinet

1 Removing the door

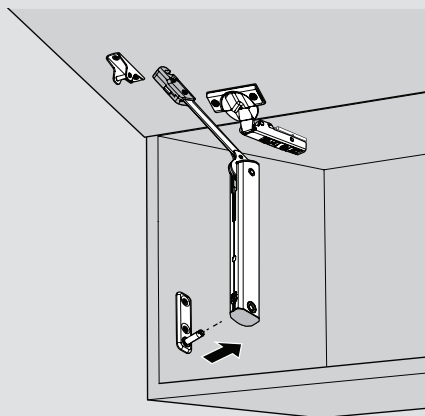
A Remove arm from cabinet mounting plate



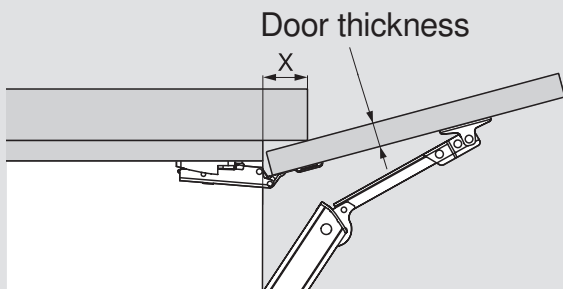
B



C Remove lift mechanism from door

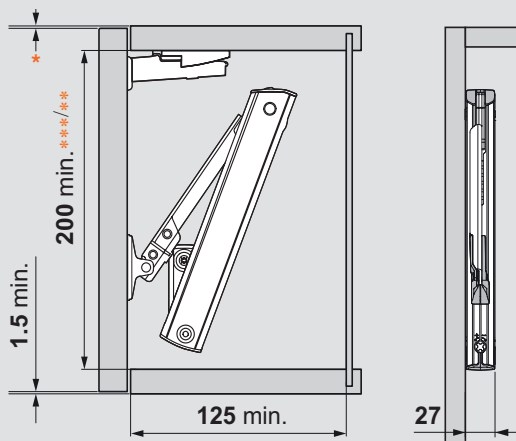


Cornice and crown molding clearance



Door thickness	16	19	22	24
X	45	34	23	15

Space Requirements



* Minimum top reveal based on thing used. Please see minimum reveal specs in Concealed hinges brochure

** Minimum internal height: **216** for 110° with 20K5501

*** Minimum internal height: **225** for COMPACT with 20K5501

Inch		mm
1/32	.031	1
1/16	.063	1.5
3/32	.094	2
1/8	.125	3
5/32	.156	4
3/16	.188	5
7/32	.219	5.5
1/4	.25	6
9/32	.281	7
5/16	.313	8
11/32	.344	9
3/8	.375	9.5
13/32	.406	10
7/16	.438	11
15/32	.469	12
1/2	.5	13
17/32	.531	13.5
9/16	.563	14
19/32	.594	15
5/8	.625	16
21/32	.656	17
11/16	.688	17.5
23/32	.719	18
3/4	.75	19
25/32	.781	20
13/16	.813	20.5
27/32	.844	21
7/8	.875	22
29/32	.906	23
15/16	.938	24
31/32	.969	24.5
1	1	25.4

Blum, Inc.
800-438-6788
sales.us@blum.com
blum.com