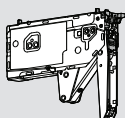
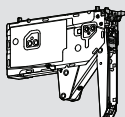


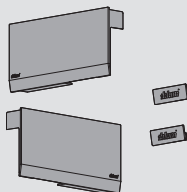
Lift mechanism set



- Lift mechanism (qty 2)
- #7 x 35 mm (1-3/8") wood screw (qty 8)

Power factor	Opening angle	Part no.
36 - 139	107°	22K2300
80 - 240	107°	22K2500
150 - 450	107°	22K2700
270 - 781	107°	22K2900

Cover set



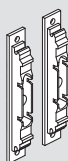
- Right and left cover plate (qty 2)
- Colors: Light Gray, Dark Gray and Silk White

Part no.
Cover set

22K8000.NA

Wood or wide alum door hardware set

- Arm assembly mounting plate (qty 2)

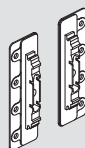


Part no.

Hardware set	20S4200
Inst. screw for wood doors	606N or 606P
Inst. screw for wide alum	7072A

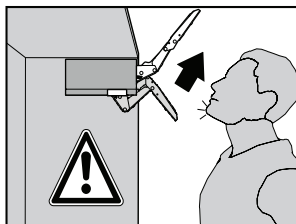
Mounting plate with bracket set

- Left and right mounting plate with bracket
- For large overlay five-piece doors



Part no.

Mounting plate w/ bracket	20S4F01
---------------------------	----------------



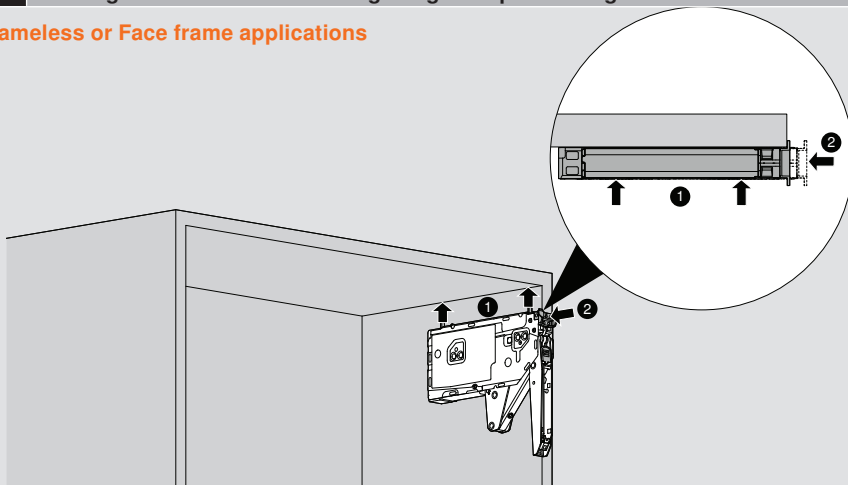
WARNING

Risk of injury from spring-loaded arm

- Arm has built in safety feature to prevent opening and closing.

1 Setting the lift mechanism using integrated positioning

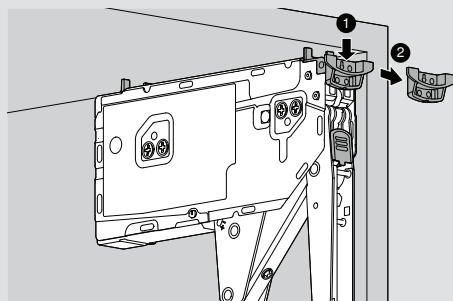
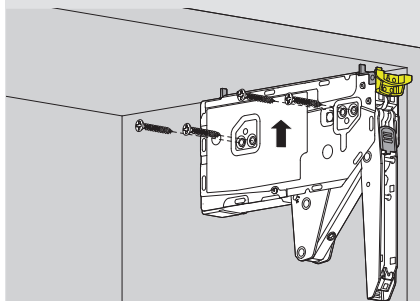
Frameless or Face frame applications



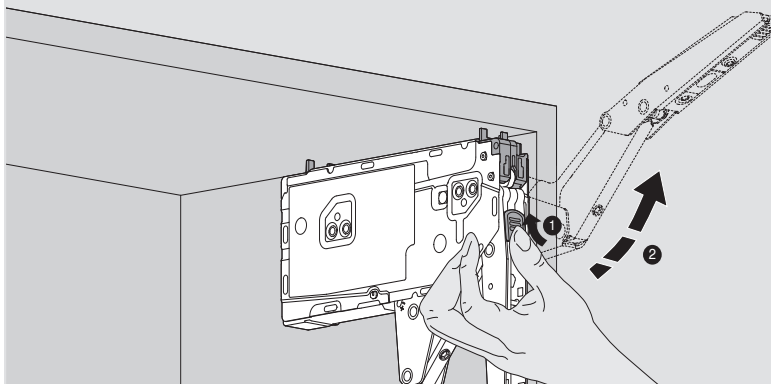
NOTE: Face frame cabinets must be blocked out flush with the frame, or installed with the 22K6001 screw-on face frame bracket, and the max top overlay is 25.4 mm.

2 Attaching the lift mechanism

Once the lift mechanism is in place, attach to the cabinet using the four wood screws provided. Remove setback template.



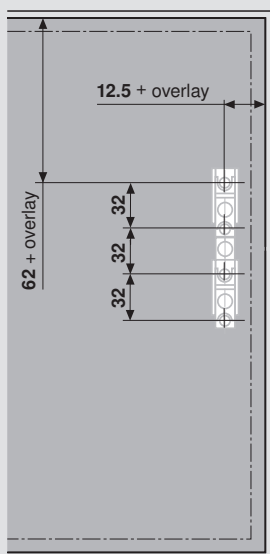
3 Safety lever release on lift mechanism and raise arms



Attaching the Mounting Plates

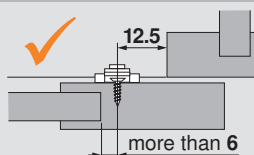
4a For Wood/wide aluminum

Frameless or face frame

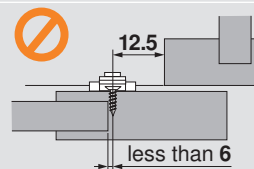


NOTE: All four screws must be installed.

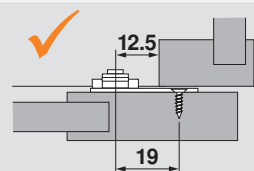
4b With bracket for five-piece doors



Standard mounting plate works



Standard mounting plate does not work



Use mounting plate with bracket when panel is < 6 from screw.

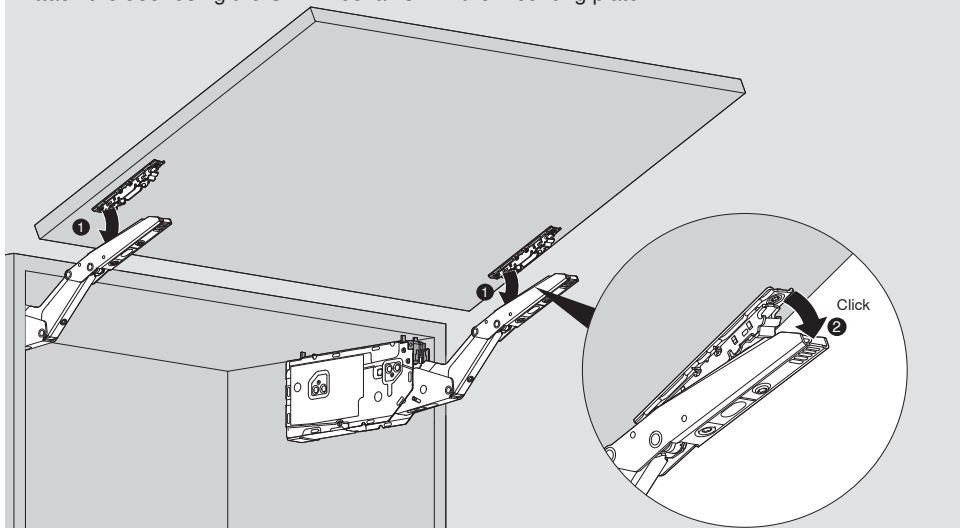
Part no.

Mounting plate w/ bracket set

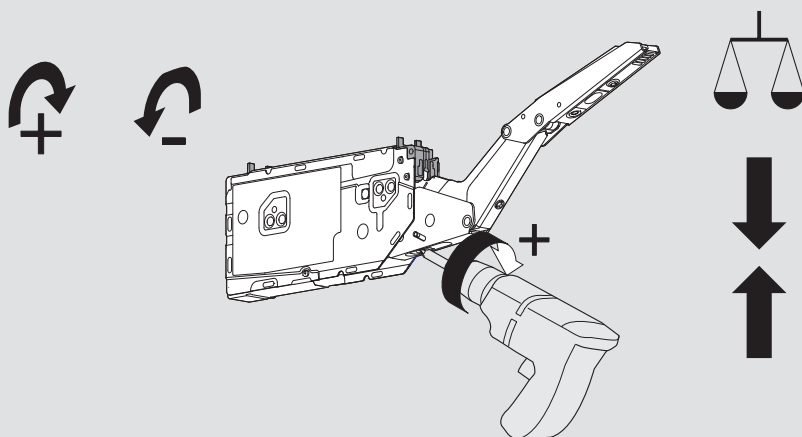
20S4F01

5 Attaching the door

Attach the door using the CLIP mechanism in the mounting plate.

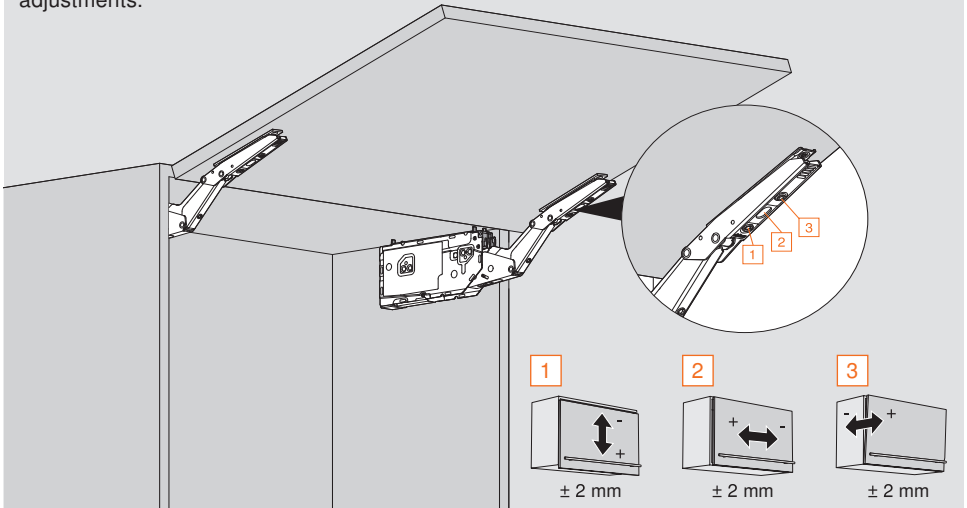
**6 Adjust the door tension**

Use a T20 TORX screwdriver or screw gun and a T20 TORX bit to adjust the lift mechanism to the desired tension (door weight balanced). Cover cap does not need to be removed to perform this adjustment.

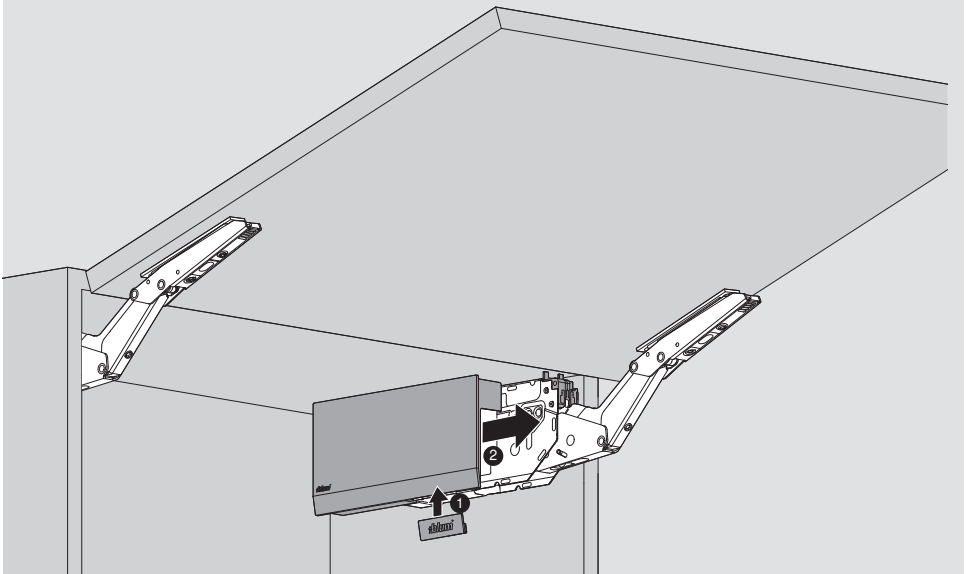


7 Finalize the door adjustments

Use a TORX T20 screwdriver to perform cam adjustments for each of the three-dimensional adjustments.

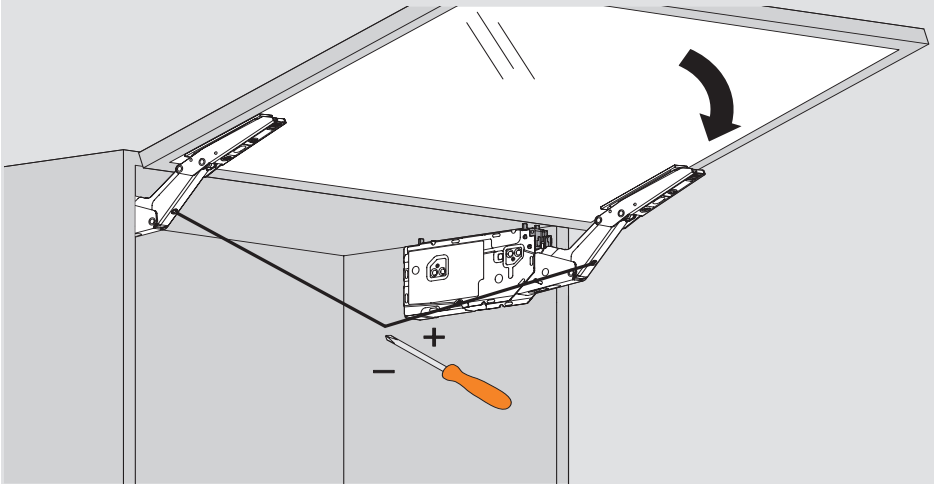
**8** Attach cover caps

Place the left and right cover plates over the appropriate lift mechanisms and snap them in place.

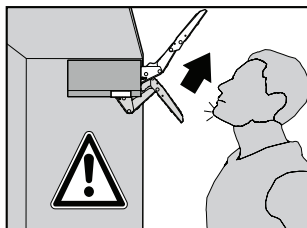


9 Adjust opening angle

Use a TORX T20 screwdriver to adjust opening angle between 75° and 107°.



NOTE: Adjustments can be made with the cap on.



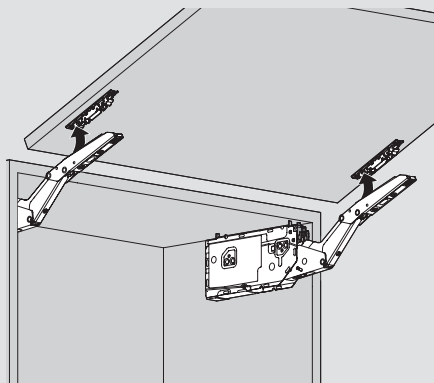
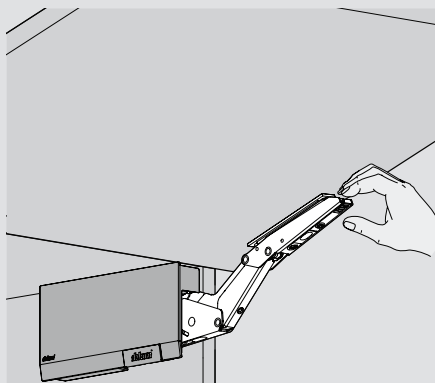
WARNING

Risk of injury from spring-loaded arm

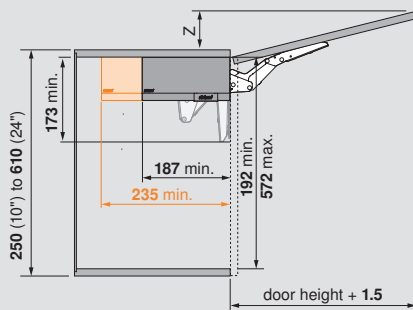
- Arm has built in safety feature to prevent opening and closing.

Removing the door

- Open the door. Disengage the CLIP mechanism of the lever arm from the mounting plate.
- Support the door with one hand and repeat on the other side.

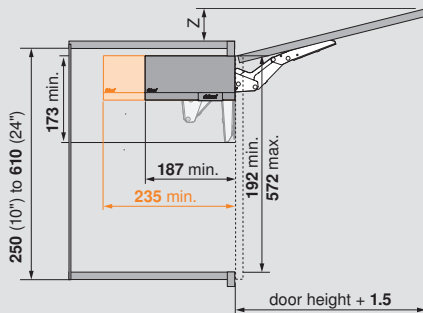


Door and hardware clearance - Frameless Application



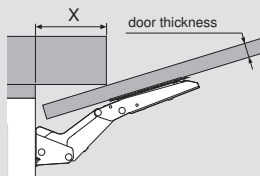
$Z = \text{door height} \times 0.29 + \text{door thickness} \text{ minus top panel thickness}$

Door and hardware clearance - Face Frame Application



$Z = \text{door height} \times 0.29 + \text{door thickness} \text{ minus top frame width}$

Decorative molding clearance



Door thickness	16	19	22	26
Maximum X	68	57	47	33

	Inch	mm	
	1/32	.031	1
	1/16	.063	1.5
	3/32	.094	2
	1/8	.125	3
	5/32	.156	4
	3/16	.188	5
	7/32	.219	5.5
	1/4	.25	6
	9/32	.281	7
	5/16	.313	8
	11/32	.344	9
	3/8	.375	9.5
	13/32	.406	10
	7/16	.438	11
	15/32	.469	12
	1/2	.5	13
	17/32	.531	13.5
	9/16	.563	14
	19/32	.594	15
	5/8	.625	16
	21/32	.656	17
	11/16	.688	17.5
	23/32	.719	18
	3/4	.75	19
	25/32	.781	20
	13/16	.813	20.5
	27/32	.844	21
	7/8	.875	22
	29/32	.906	23
	15/16	.938	24
	31/32	.969	24.5
	1	1	25.4