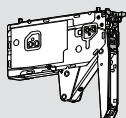
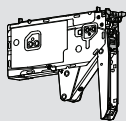


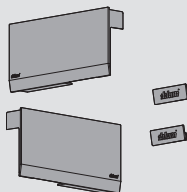
Lift mechanism set



- Lift mechanism (qty 2)
- #7 x 35 mm (1-3/8") wood screw (qty 8)

Power factor	Opening angle	Part no.
36 - 139	107°	22K2300
80 - 240	107°	22K2500
150 - 450	107°	22K2700
270 - 781	107°	22K2900

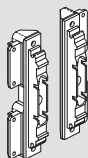
Cover set



- Right and left cover plate (qty 2)
- Colors: Light Gray, Dark Gray and Silk White

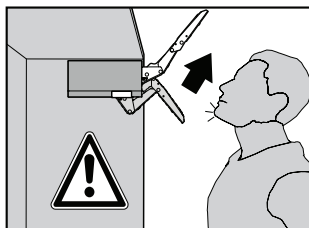
	Part no.
Cover set	22K8000.NA

Narrow aluminum hardware set



- Arm assembly mounting plate (qty2)

	Part no.
Narrow aluminum hardware set	20S4200A



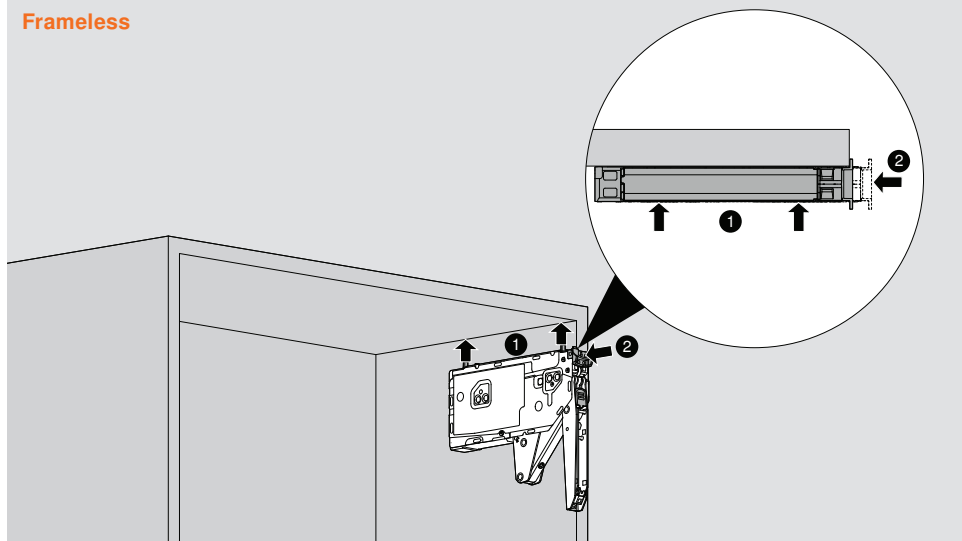
WARNING

Risk of injury from spring-loaded arm

- Arm has built in safety feature to prevent opening and closing.

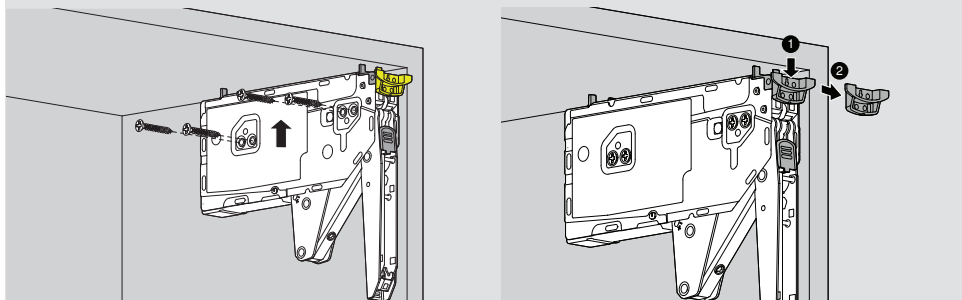
1 Setting the lift mechanism using integrated positioning

Frameless

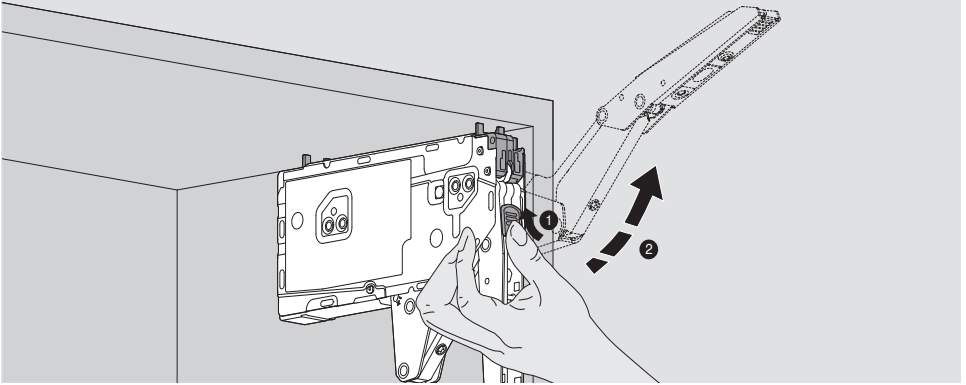


2 Attaching the lift mechanism

Once the lift mechanism is in place, attach to the cabinet using the four wood screws provided. Remove setback template.



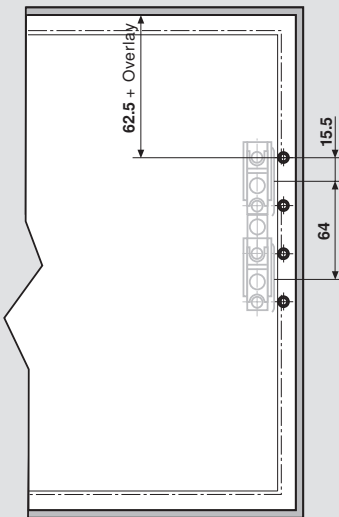
3 Safety lever release on lift mechanism and raise arms



Attaching the Mounting Plates

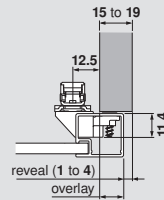
4a Mounting plate position

Attach the mounting plate to the door.

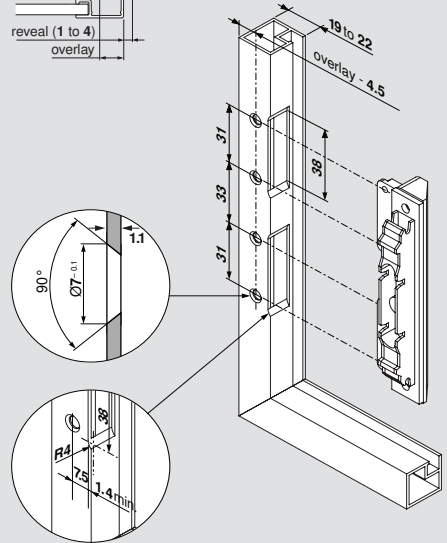


NOTE: All four screws must be installed.

4b Planning narrow alum. frames

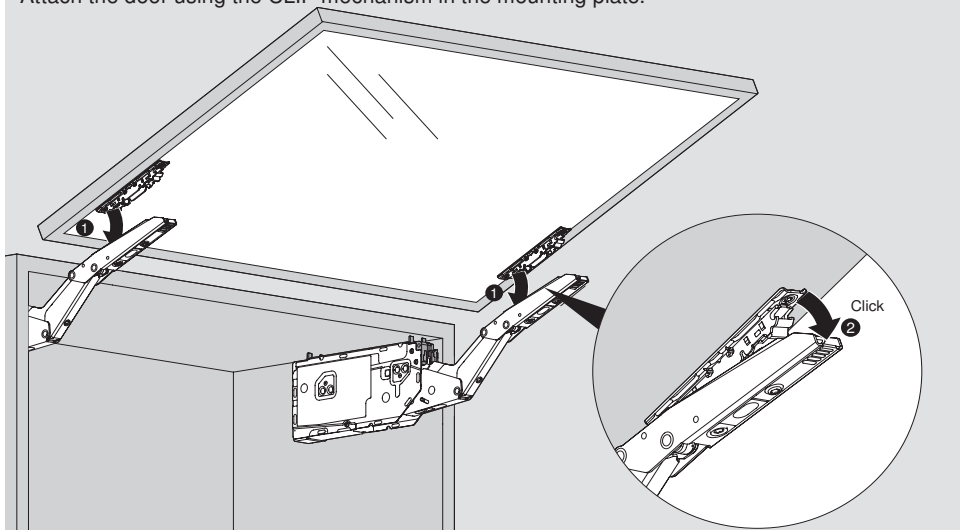


NOTE: When changing material thickness, adjust assembly dimensions.

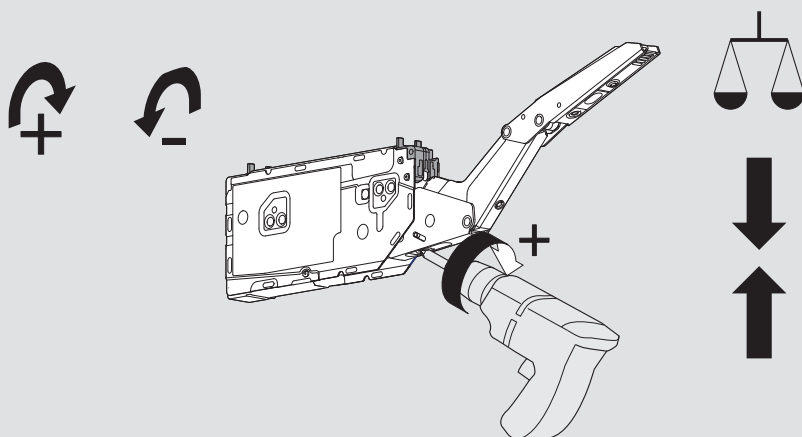


5 Attaching the door

Attach the door using the CLIP mechanism in the mounting plate.

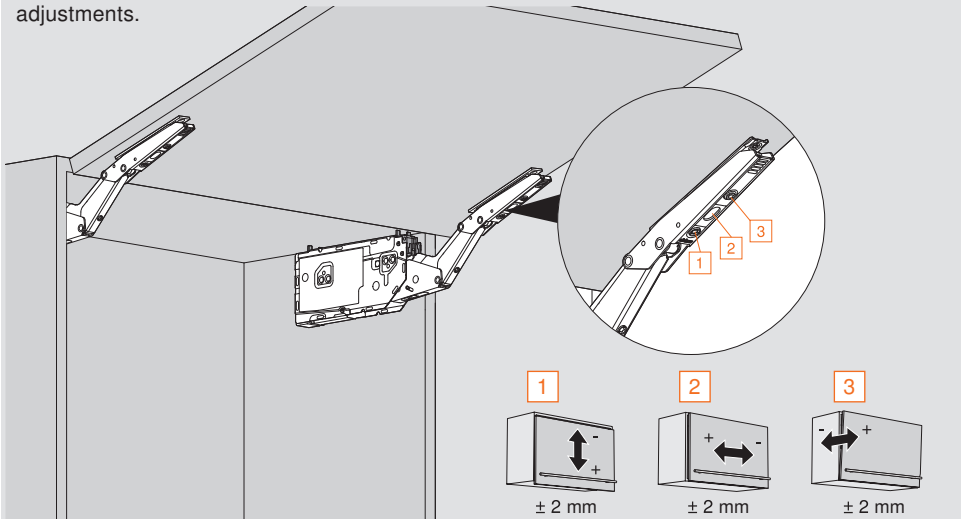
**6 Adjust the door tension**

Use a T20 TORX screwdriver or screw gun and a T20 TORX bit to adjust the lift mechanism to the desired tension (door weight balanced). Cover cap does not need to be removed to perform this adjustment.

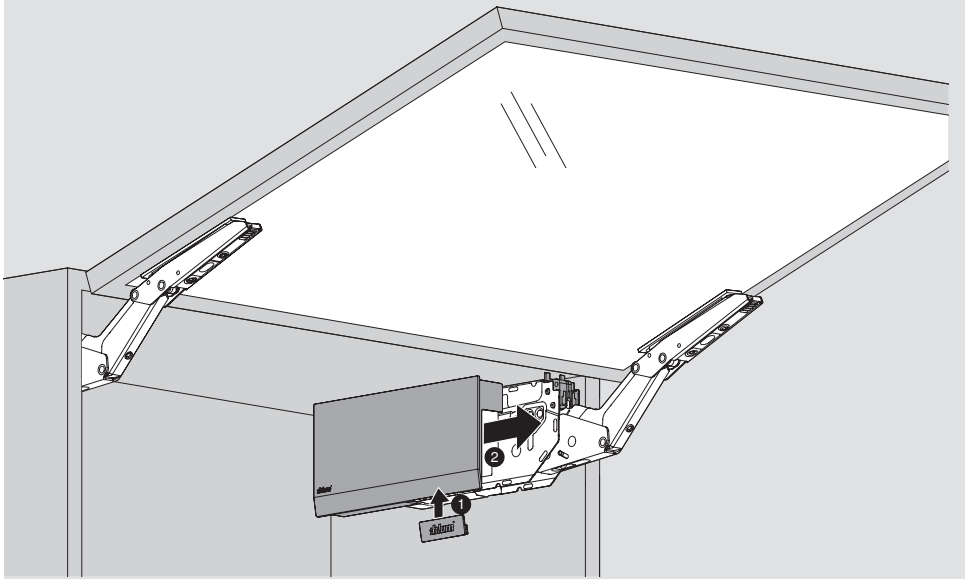


7 Finalize the door adjustments

Use a TORX T20 screwdriver to perform cam adjustments for each of the three-dimensional adjustments.

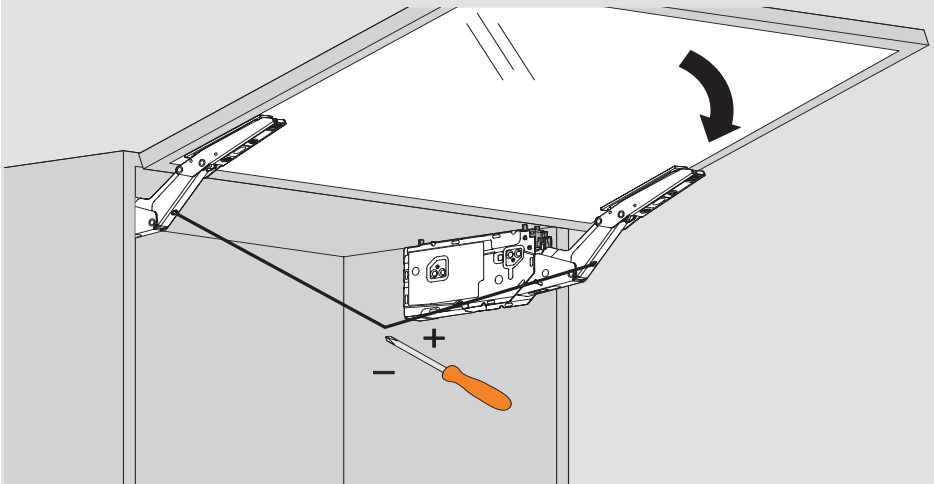
**8** Attach cover caps

Place the left and right cover plates over the appropriate lift mechanisms and snap them in place.

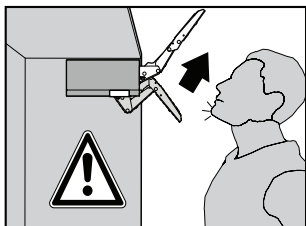


9 Adjust opening angle

Use a TORX T20 screwdriver to adjust opening angle between 75° and 107°.



NOTE: Adjustments can be made with the cap on.



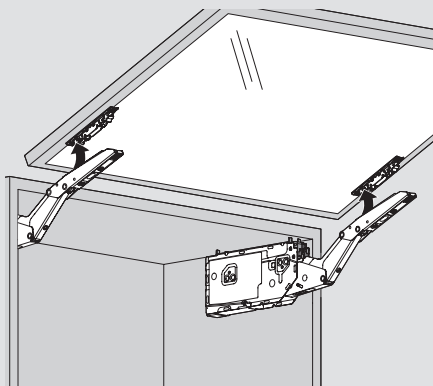
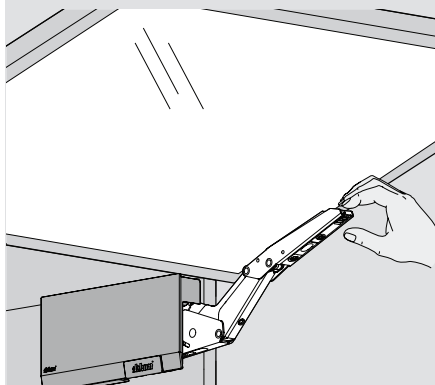
WARNING

Risk of injury from spring-loaded arm

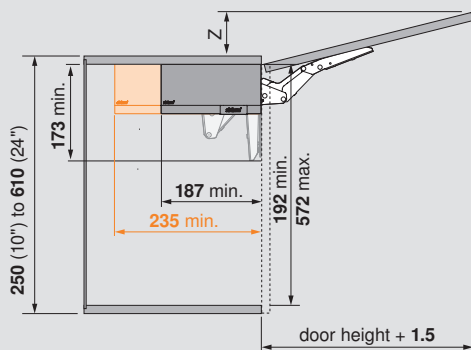
- Arm has built in safety feature to prevent opening and closing.

Removing the door

- Open the door. Disengage the CLIP mechanism of the lever arm from the mounting plate.
- Support the door with one hand and repeat on the other side.

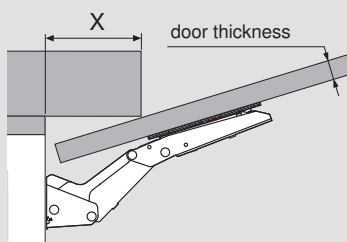


Door and hardware clearance



$Z = \text{door height} \times 0.29 + \text{door thickness} - \text{top panel thickness}$

Decorative molding clearance



Door thickness	16	19	22	26
Maximum X	68	57	47	33

	Inch	mm	
	1/32	.031	1
	1/16	.063	1.5
	3/32	.094	2
	1/8	.125	3
	5/32	.156	4
	3/16	.188	5
	7/32	.219	5.5
	1/4	.25	6
	9/32	.281	7
	5/16	.313	8
	11/32	.344	9
	3/8	.375	9.5
	13/32	.406	10
	7/16	.438	11
	15/32	.469	12
	1/2	.5	13
	17/32	.531	13.5
	9/16	.563	14
	19/32	.594	15
	5/8	.625	16
	21/32	.656	17
	11/16	.688	17.5
	23/32	.719	18
	3/4	.75	19
	25/32	.781	20
	13/16	.813	20.5
	27/32	.844	21
	7/8	.875	22
	29/32	.906	23
	15/16	.938	24
	31/32	.969	24.5
	1	1	25.4