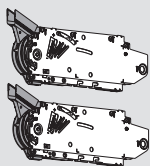


AVENTOS HF



Wood/wide aluminum frame door application

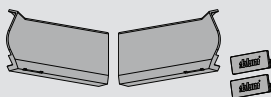
Lift mechanism set



- Lift mechanism (qty 2)
- #7 x 35 mm (1-3/8") wood screw (qty 8)

Power factor	Part no.
85 - 230 (1 lift mechanism req.)	20F2200.N5
231 - 470	20F2200.N5
471 - 880	20F2500.N5
780 - 1440	20F2800.N5
1401 - 2300 (3 lift mechanisms req.)	20F2800.N5

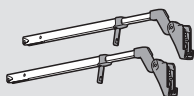
Cover set



- Right and left cover plate
- Non-handed cover cap (qty 2)
- Colors: Light Gray, Dark Gray and Silk White

Cover set	Part no.
	20F8020.NA

Telescopic arm set



- Telescopic arm (qty 2)

Cabinet heights	Part no.
479 (18-7/8") - 558 (22")	20F3200.01
558 (22") - 686 (27")	20F3500.01
686 (27") - 889 (35")	20F3800.01
889 (35") - 1067 (42")	20F3900.01

Wood or wide alum door hardware set

- CLIP top 120° hinge (qty 2)
- COMPACT 33° hinge (qty 2)
- CLIP top bottom door hinge (qty 2)
- COMPACT mounting plate (qty 2)
- Face frame adapter (qty 4)
- Telescopic arm mounting plate (qty 2)

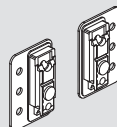
NOTE: Three hinges and mounting plates required for cabinet widths over **1219** (48").

Part no.

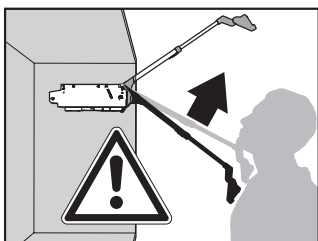
Hardware set	78Z5530TA8
Inst. screw for wood doors	606N or 606P
Inst. screw for wide alum doors	7072A

Mounting plate with bracket set

- Left and right mounting plate with bracket
- For large overlay five-piece doors



Mounting plate w/ bracket set	Part no.
	175H3F00



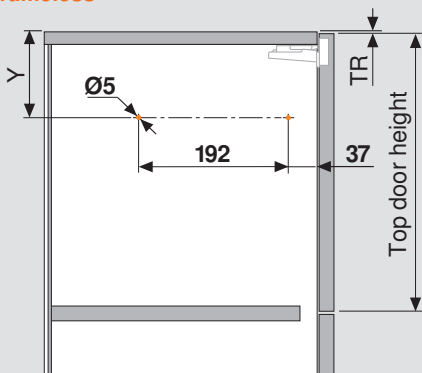
WARNING

Risk of injury from spring-loaded arm

- Do not push arm assembly down or leave in the down position.
- Remove mechanism before installing or removing cabinet.

1 Locating pin locations

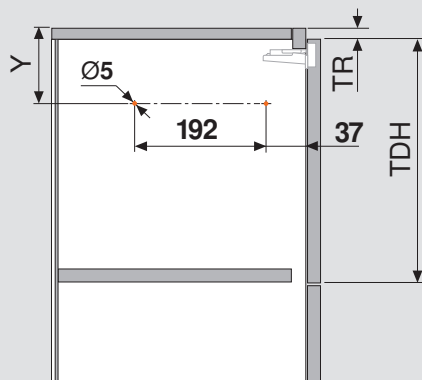
Frameless



Top door height (TDH)	Y
231 to 271	$TDH \times .6 - 28 + TR$
272 to 531	$TDH \times .6 - 57 + TR$

TR = Top reveal
TDH = Top door height

Face frame



Top door height (TDH)	Y
231 to 271	$TDH \times .6 - 28 + TR$
272 to 531	$TDH \times .6 - 57 + TR$

TR = Top reveal
TDH = Top door height

NOTE: Face frame cabinets must be blocked out flush with the frame or use face frame mounting bracket 20F6001.

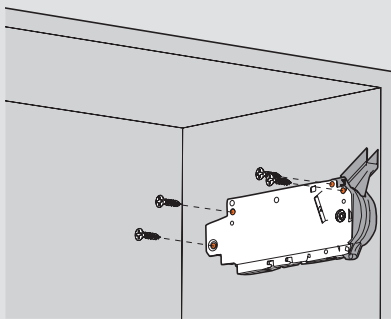
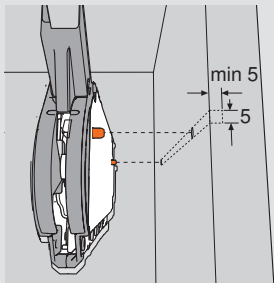
Universal individual template is available for pre-boring holes for locating pins.

Part no.

65.1051.02

2 Attaching the lift mechanism

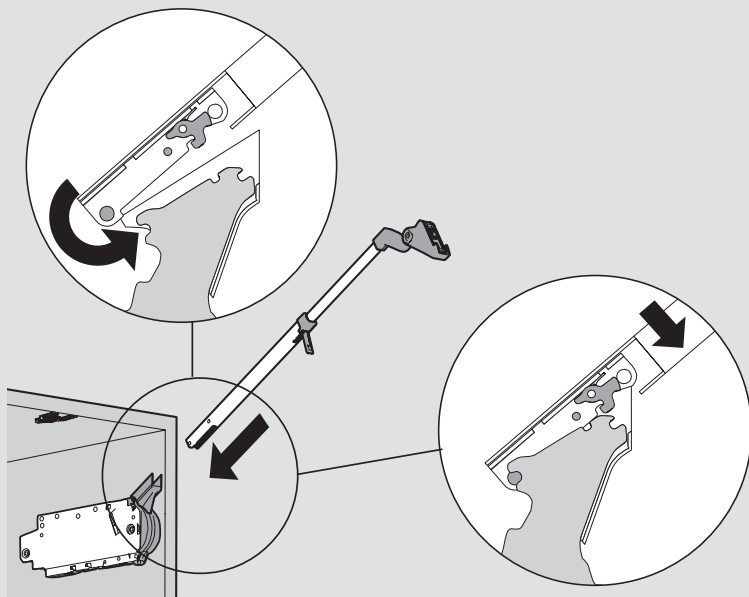
Align the two locating pins on the lift mechanism with the two $\text{\O}5 \times 5$ holes bored in the side of cabinet, and attach the mechanism with the five wood screws provided.



#7 x 35 mm (1-3/8") wood screws (qty 4)

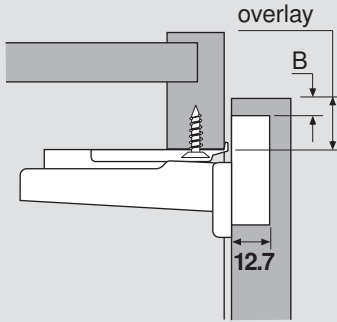
3 Attach the telescopic arms

Attach telescopic arms by clipping them on in the fully upright position.



WARNING: Risk of injury from spring loaded arm.

4 Small overlay top door hinge planning CLIP top hinges



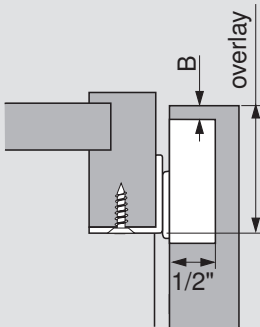
Overlay table				
13*	14	15	16	17
3	3	4	5	6
B Bore distance				

* Bore at 3 then adjust 1

Part no.

CLIP top hinge	70T5580.TL
Mounting plate	175H6000

5 Large overlay top door hinge planning COMPACT hinges

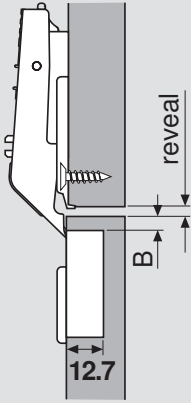


Overlay table
1-1/4"
3
Bore distance

Part no.

COMPACT hinge	32.4630
Mounting plate	130.1130.02

6 Bottom door hinge planning

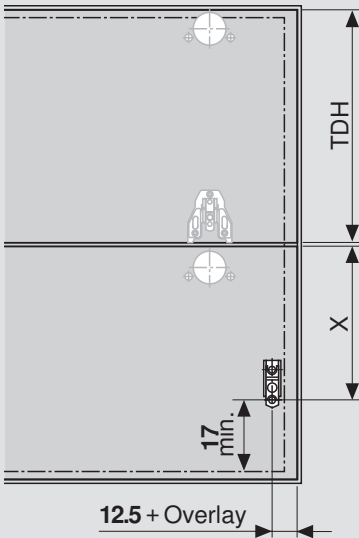


Reveal table			
6	5	4	3
3	4	5	6
B Bore distance			

Part no.

CLIP top hinge	78Z5530T
Mounting plate	175H6000

7a Attaching the telescopic arm mounting plates



Top door height (TDH)	X
231 to 271	$TDH \times .5 + 70$
272 to 531	$TDH \times .5 + 47$

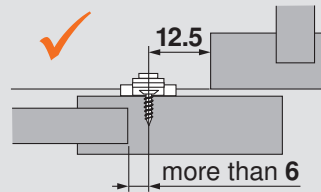
NOTE: For five-piece door mounting specifications, see page 6.

Part no.

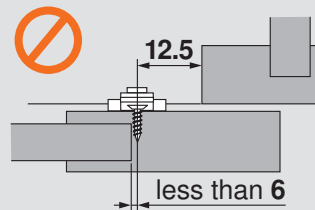
Telescopic arm mounting plate	175H3100
-------------------------------	----------

7b Attaching the telescopic arm mounting plate with bracket for five-piece doors

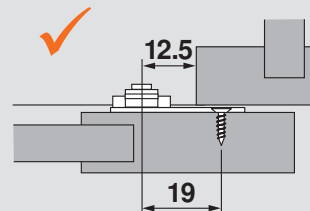
Standard mounting plate works.



Standard mounting plate does not work.



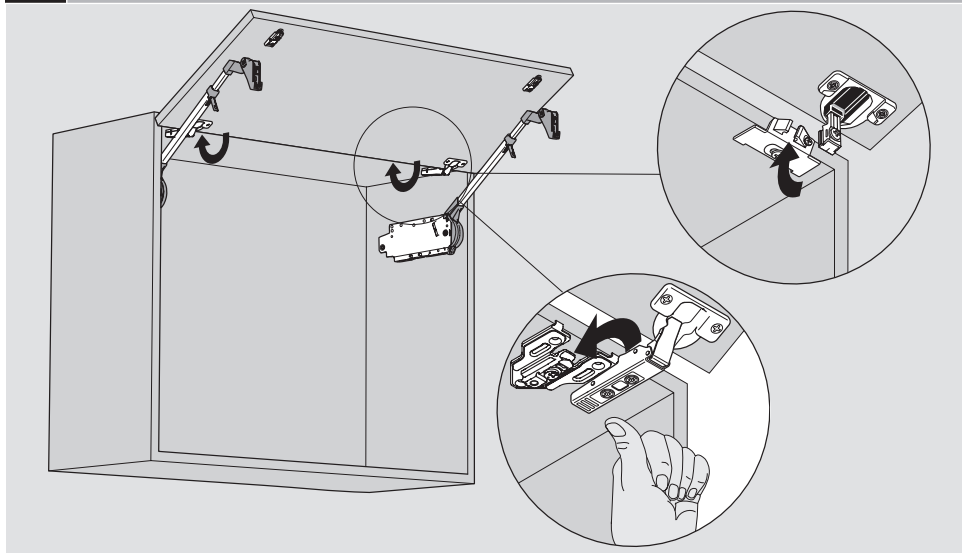
Use mounting plate with bracket when panel is < 6 from screw.



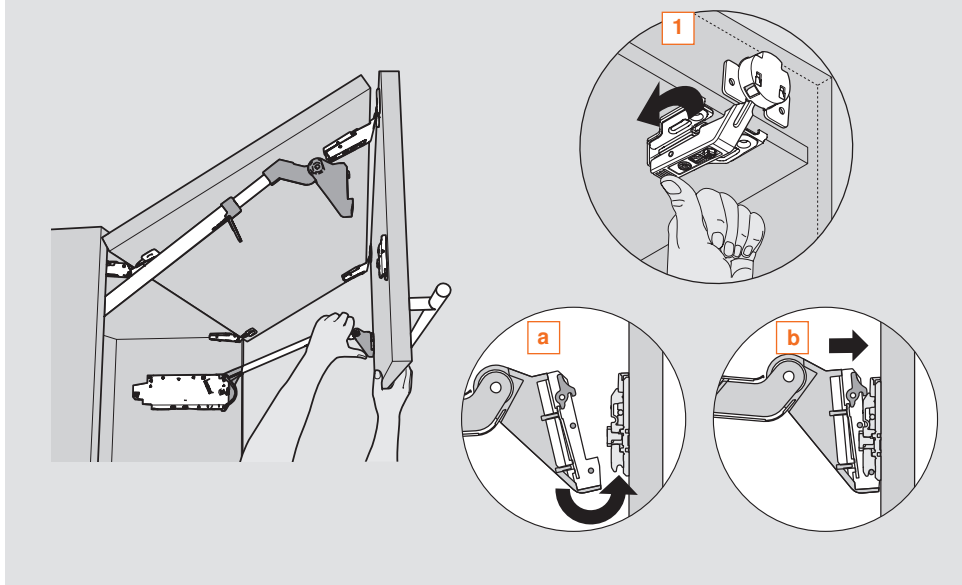
Part no.

Telescopic arm mounting plate with bracket

175H3F00

8 Attach the top door to the cabinet**9 Attach the bottom door**

Attach bottom door to the top door and attach the telescopic arms.



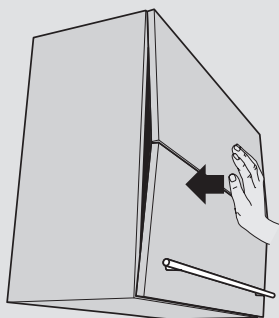
10 Adjust tension of the mechanism

1. Close and flush doors to cabinet. Open and close door to test closing force.

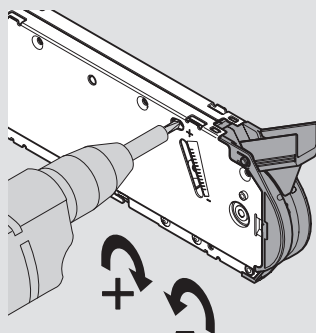
2. Open door and adjust tension screws on both lift mechanisms with a power drill. Test door again and repeat until desired function is achieved.

Tension adjustment should be the same on both lift mechanisms.

1



2



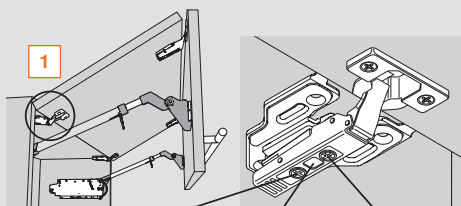
Use #2x2 POZI bit

11 Finalizing the door adjustments

1. Adjust each top door hinge and mounting plate to properly align the top door to the cabinet.

2. Adjust each bottom door hinge and mounting plate to properly align doors to the cabinet and to the top door.

1



± 3 mm

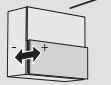
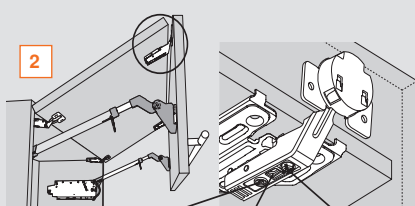


± 2 mm



+ 3/- 2 mm

2



± 2.5 mm



± 2 mm

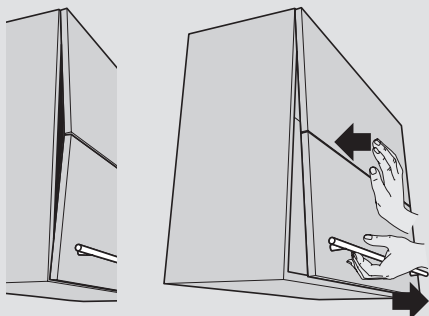
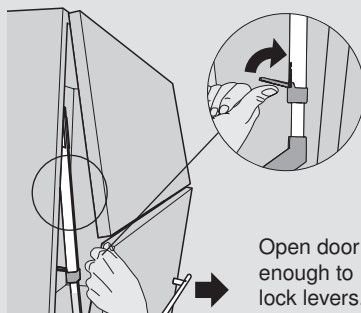


± 2 mm

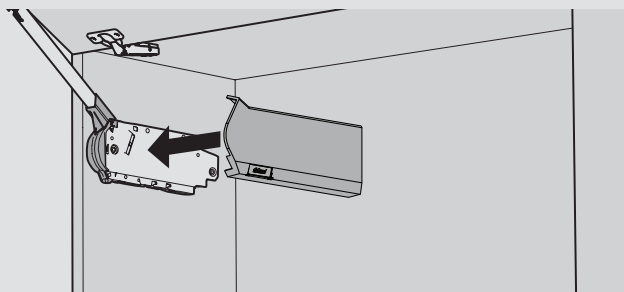
NOTE: Although not illustrated here, telescopic arm mounting plates can also be adjusted horizontally ± 2 mm if needed.

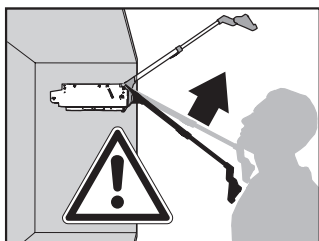
12 Adjust and lock telescopic arms

1. Close and flush doors to cabinet. While pressing on the top door, pull the bottom door open one inch.
2. Slightly open door and lock the telescopic arms into position using the levers as shown.

1**2****13 Attach covers**

Attach the left and right cover plates to each lift mechanism.





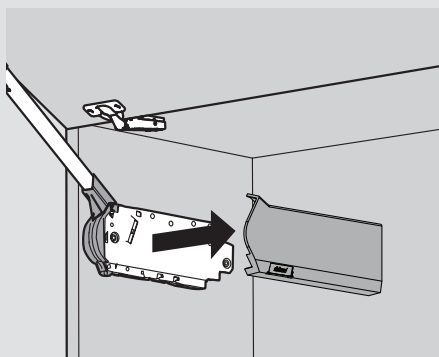
WARNING

Risk of injury from spring-loaded arm

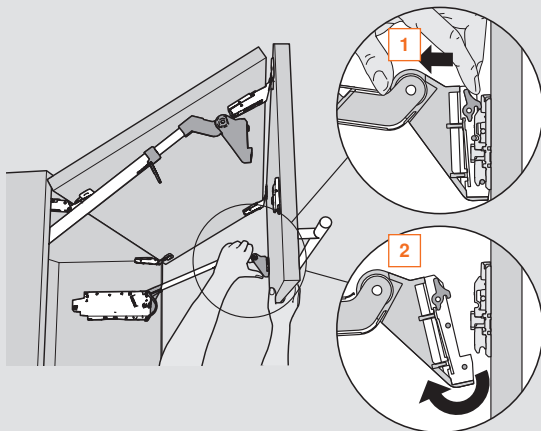
- Do not push arm assembly down or leave in the down position.
- Remove mechanism before installing or removing cabinet.

1 Remove covers

Remove left and right cover plates.



2 Detaching the telescopic arms



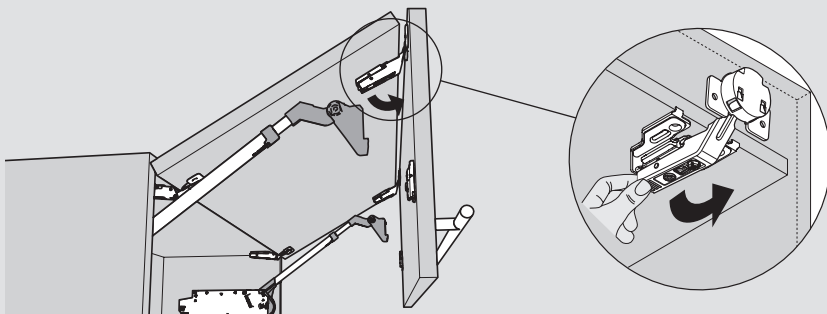
Warning: Risk of injury from spring-loaded telescopic arm!

Maintain control of telescopic arm while releasing the CLIP mechanism.

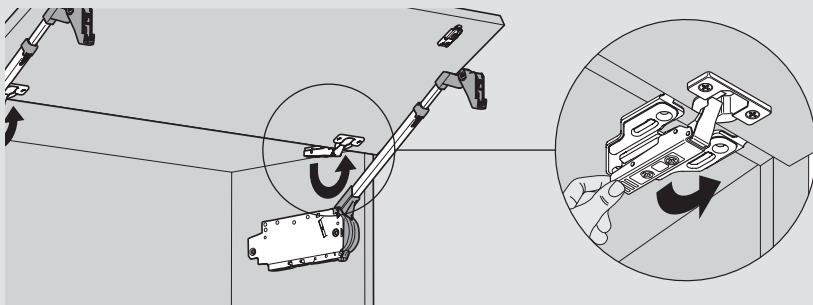
Release both arms and gently rest the top door on the loose arms. The tension will hold the doors up for the next step.

3 Removing the doors

- 1 Hold the bottom door while unclipping the bottom hinges.



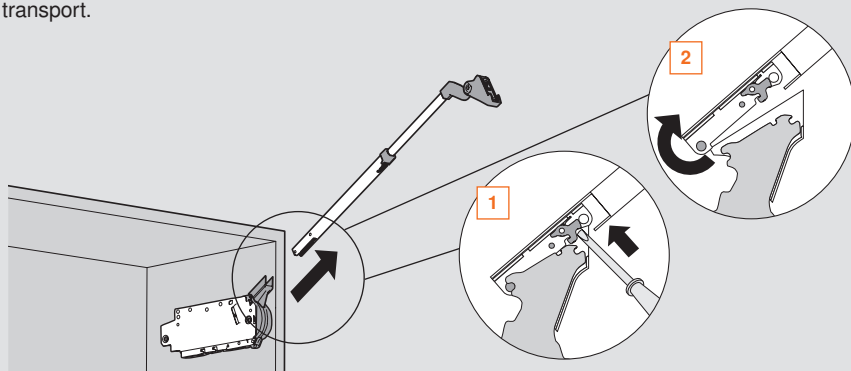
- 2 Hold the top door while detaching the top hinges. Simply unclip them if using the CLIP top hinges or loosen them if using COMPACT.



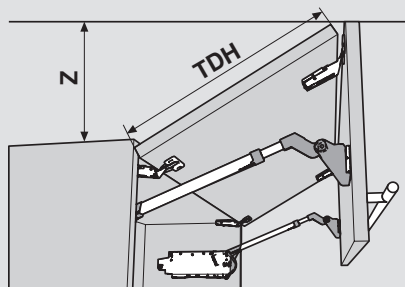
4 Removing the telescopic arms

Using a screwdriver, depress the release tabs to remove telescopic arms.

If transporting the cabinet to the jobsite, stop here. Lift mechanisms stay inside the cabinet for easy transport.



Door clearance above cabinet.



$$Z = TDH \times .44 + 38$$

	Inch	mm	
	1/32	.031	1
	1/16	.063	1.5
	3/32	.094	2
	1/8	.125	3
	5/32	.156	4
	3/16	.188	5
	7/32	.219	5.5
	1/4	.25	6
	9/32	.281	7
	5/16	.313	8
	11/32	.344	9
	3/8	.375	9.5
	13/32	.406	10
	7/16	.438	11
	15/32	.469	12
	1/2	.5	13
	17/32	.531	13.5
	9/16	.563	14
	19/32	.594	15
	5/8	.625	16
	21/32	.656	17
	11/16	.688	17.5
	23/32	.719	18
	3/4	.75	19
	25/32	.781	20
	13/16	.813	20.5
	27/32	.844	21
	7/8	.875	22
	29/32	.906	23
	15/16	.938	24
	31/32	.969	24.5
	1	1	25.4