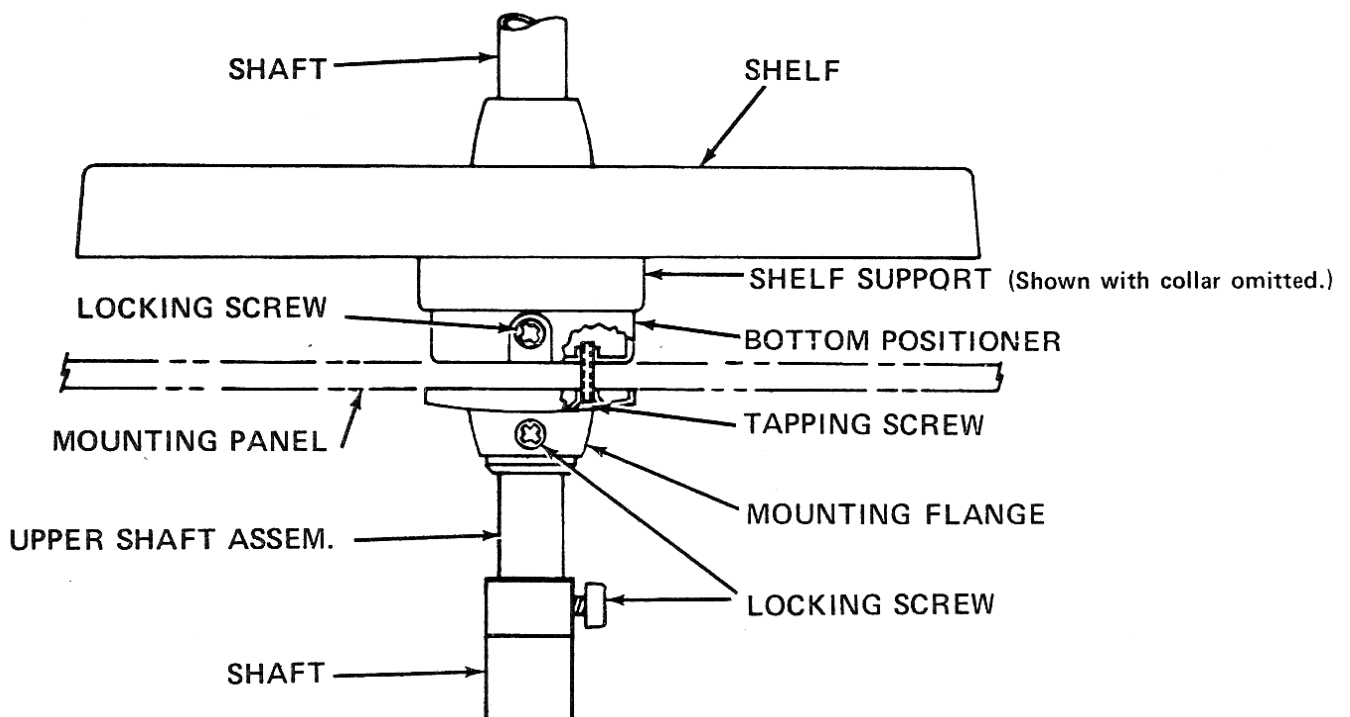


INSTALLATION INSTRUCTIONS

REQUIRED WHEN MOUNTING FULL ROUND 6070 UPPER PANTRY SHELF SYSTEM DIRECTLY ABOVE 6060 SERIES LOWER PANTRY SHELF SYSTEM

1. Using template provided, drill four (4) each 7/32" diameter holes through the mounting panel.
2. Use four (4) each 10-32 by 1" oval head self-tapping screws to fasten mounting flange to the positioner assembly.
3. Locate screw holes with template provided and install lower mounting flange for the Lower Pantry Shelf System with four (4) each 3/4" by 8 oval head screws.*
4. Proceed with steps 2-5 of the installation instructions for the 6060 series Lower Pantry Shelf System.
5. Locate screw holes with template provided and install upper pivot support for the Upper Pantry Shelf System with four (4) each 1/2" by 8 truss head screws.
6. Proceed with steps 3-5 of the installation instructions for the 6070 series Upper Pantry Shelf System

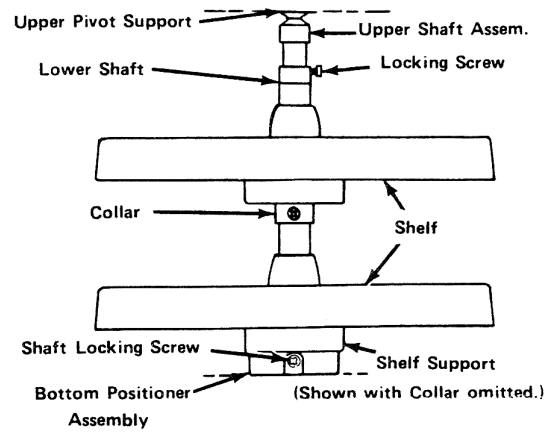
* Mounting flanges are tapped for jack screw accessory. If used, drill 1" diameter hole through bottom floor only.



INSTALLATION INSTRUCTIONS

INDEPENDENTLY ROTATING 16" FULL ROUND 6070 SERIES UPPER PANTRY SHELF SYSTEM

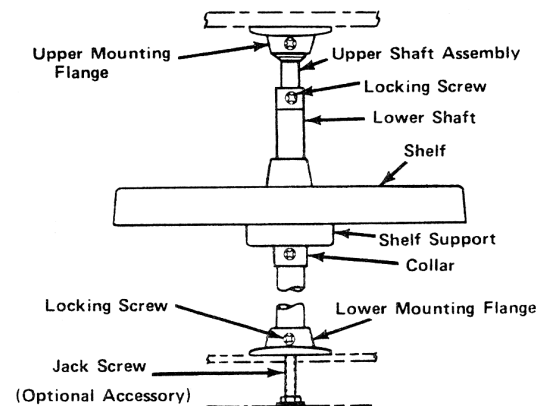
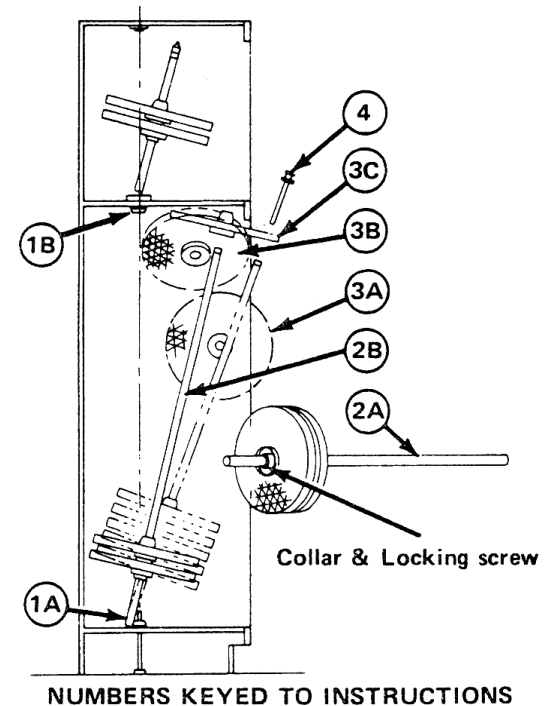
1. Locate screw holes with template provided to install bottom positioner on cabinet floor with four (4) each 3/4" by 8 oval head screws.
2. Locate screw holes with template provided to install upper pivot support with four (4) each 3/4" by 8 truss head screws.
3. Insert bottom end of shaft thru upper shelf and assemble collar. Repeat for bottom shelf.
4. Tilt the shaft to a horizontal position and ease the shelves thru the cabinet opening. Raise the shaft to an upright position and engage the lower end in the bottom positioner. Engage and seat the upper shaft assembly in the upper pivot support. Tighten the shaft locking screw and the locking screw in the bottom positioner.
5. Space the upper shelf as desired and tighten the collar with the locking screw.



INSTALLATION INSTRUCTIONS

INDEPENDENTLY ROTATING 16" FULL ROUND 6060 SERIES LOWER PANTRY SHELF SYSTEM

1. Locate screw holes with template provided to install upper and lower mounting flanges with four (4) each 3/4" by 8 oval head screws.
2. With upper shaft assembly and locking screw removed from lower shaft assembly, slide collar on to shaft and lock it in place 6-10 inches from the bottom end of the shaft. Slide shelf up shaft from bottom. **Note:** This shelf will ride on the lower mounting flange not a shelf support. Slide next shelf down shaft against collar and continue with next collar and shelf.
 - 2A. Tilt the shaft to a horizontal position and ease the shelves thru the cabinet opening. (see illustration)
 - 2B. Raise the shaft to an upright position and rest the bottom end of the shaft on the cabinet floor behind the mounting flange.
3. Slide another collar onto the shaft.
 - 3A. With the shaft tilted forward, insert the next shelf thru the opening and raise and tilt it to a horizontal position at the top of (and extending out of) the front of the opening as shown at 3C. Position shaft under shelf and slide shelf onto shaft. Repeat for the remaining collars and shelves.
 - 3C. Position shaft under shelf and slide shelf onto shaft.
4. Assemble upper shaft assembly and locking screw into lower shaft assembly. Lift the lower shaft and engage it in the lower mounting flange. Engage and seat the upper shaft assembly in the upper mounting flange and tighten the locking screw. Tighten the locking screw on the shaft and the locking screw in the lower mounting flange.
5. Space the shelves as desired and tighten the collar(s) with the locking screws



* Mounting flanges are tapped for jack screw accessory. If used, drill 1" diameter hole through bottom floor only.

IMPORTANT

See other side for installation instructions required when mounting the 6070 SERIES UPPER PANTRY SHELF SYSTEM directly above the 6060 SERIES LOWER PANTRY SHELF SYSTEM.