

en	Original Original Instructions - Plunge-cut saw	6
fr	Notice d'utilisation d'origine- Scie plongeante	21
es	Manual de instrucciones original - Sierra de incisión	37



Read all instructions before using
Lire toutes les instructions avant de démarrer les travaux.
Lea y comprende todas las instrucciones antes de usar.

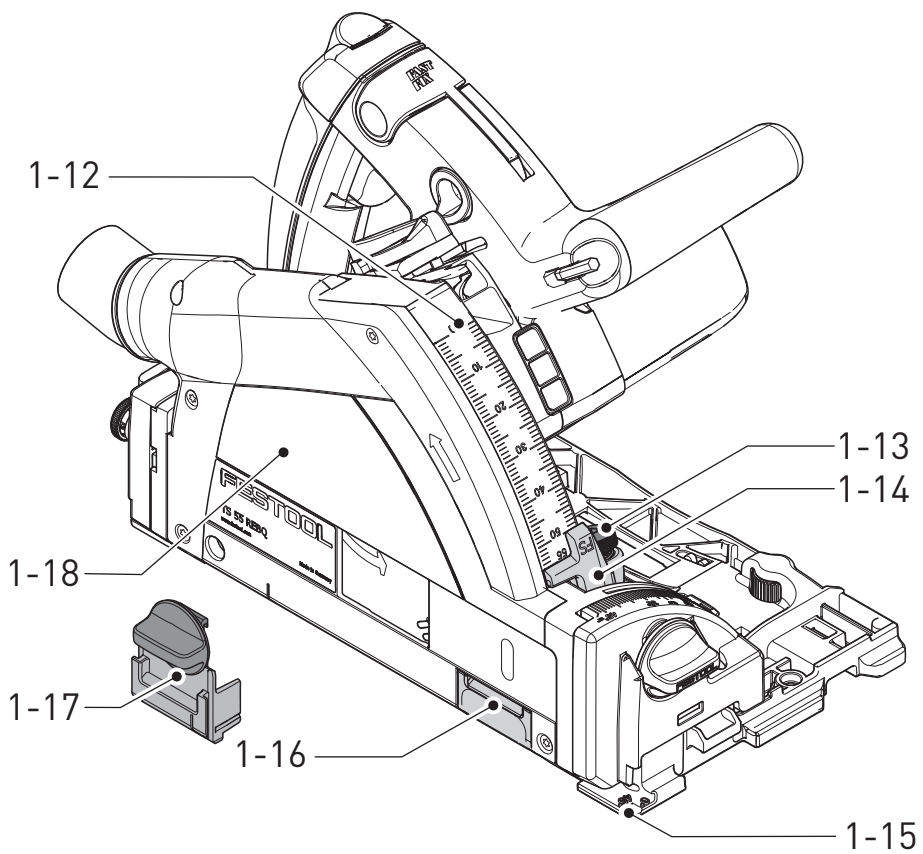
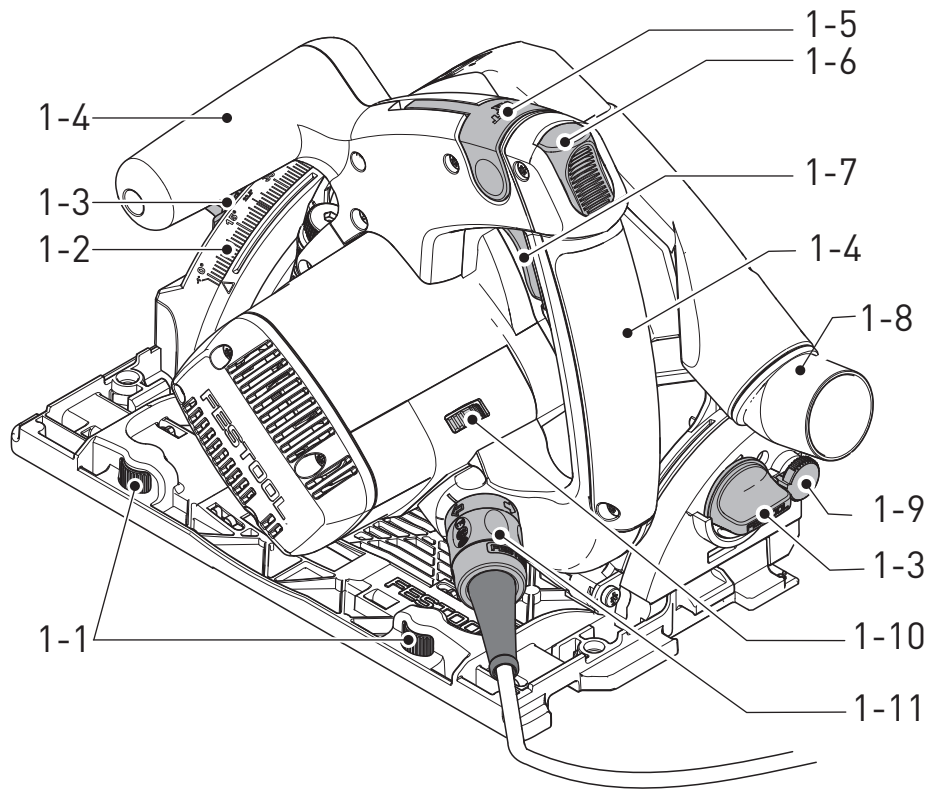


TS 55 FEQ



Festool GmbH
Wertstraße 20
73240 Wendlingen
Germany
www.festoolusa.com





1




Contents

1	About this manual.....	6
2	Symbols.....	6
3	Safety warnings.....	7
4	Intended use.....	11
5	Technical data.....	11
6	Functional description.....	11
7	Commissioning.....	11
8	Settings.....	12
9	Working with the electric power tool.....	15
10	Service and maintenance.....	17
11	Accessories.....	18
12	Environment.....	19
13	General information.....	19







1 About this manual

Save these instructions

It is important for you to read and understand this manual. The information it contains relates to protecting **your safety** and **preventing problems**. The symbols below are used to help you recognize this information.

	DANGER	Description of imminent hazard and failure to avoid hazard will result in death.
	WARNING	Description of hazard and possible resulting injuries or death.
	CAUTION	Description of hazard and possible resulting injuries.
	NOTICE	Description of possible damage of the device or its surroundings.

2 Symbols

	Warning of general danger
	Warning of electric shock
	Read the operating instructions and safety instructions.
	Wear ear protection.
	Wear protective gloves when changing tools and working with raw materials.
	Wear a dust mask.



Wear protective goggles.



Pull out the mains plug



Disconnecting the mains power cable



Connecting the mains power cable



Direction of rotation of saw and the saw blade



Tool contains a chip which stores data. See section 13.1



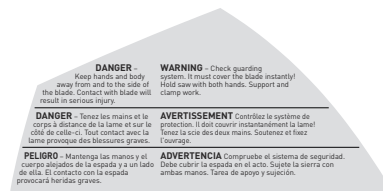
Handling instruction



Tip or advice



Safety class II



DANGER Keep hands and body away from and to the side of the blade. Contact with blade will result in serious injury.

WARNING Check guarding system. It must cover the blade instantly! Hold saw with both hands. Support and clamp work.

W watt

V volt

A amperes

Hz hertz

~ a.c. alternating current

— d.c. direct current

n_0 no load speed

rpm revolutions per minute

min^{-1} revolutions per minute

" inch

lb. pound

\emptyset diameter

3 Safety warnings

3.1 General power tool safety warnings



WARNING! Read all safety warnings, instructions, illustrations and specifications provided with this power tool. Failure to follow all instructions listed below may result in electric shock, fire and/or serious injury.

Save all warnings and instructions for future reference.

The term "power tool" in the warnings refers to your mains-operated (corded) power tool or battery-operated (cordless) power tool.

1 WORK AREA SAFETY

- Keep work area clean and well lit.** Cluttered or dark areas invite accidents.
- Do not operate power tools in explosive atmospheres, such as in the presence of flammable liquids, gases or dust.** Power tools create sparks which may ignite the dust or fumes.
- Keep children and bystanders away while operating a power tool.** Distractions can cause you to lose control.

2 ELECTRICAL SAFETY

- Power tool plugs must match the outlet. Never modify the plug in any way. Do not use any adapter plugs with earthed (grounded) power tools.** Unmodified plugs and matching outlets will reduce risk of electric shock.
- Avoid body contact with earthed or grounded surfaces, such as pipes, radiators, ranges and refrigerators.** There is an increased risk of electric shock if your body is earthed or grounded.
- Do not expose power tools to rain or wet conditions.** Water entering a power tool will increase the risk of electric shock.
- Do not abuse the cord. Never use the cord for carrying, pulling or unplugging the power tool. Keep cord away from heat, oil, sharp edges or moving parts.** Damaged or entangled cords increase the risk of electric shock.
- When operating a power tool outdoors, use an extension cord suitable for outdoor use.** Use of a cord suitable for outdoor use reduces the risk of electric shock.
- If operating a power tool in a damp location is unavoidable, use a residual current device (RCD) protected supply.** Use of an RCD reduces the risk of electric shock.

3 PERSONAL SAFETY

- Stay alert, watch what you are doing and use common sense when operating a power tool. Do not use a power tool while you are tired or under the influence of drugs, alcohol or medication.** A moment of inattention while operating power tools may result in serious personal injury.
- Use personal protective equipment. Always wear eye protection.** Protective equipment such as a dust mask, non-skid safety shoes, hard hat or hearing protection used for appropriate conditions will reduce personal injuries.
- Prevent unintentional starting. Ensure the switch is in the off-position before connecting to power source and/or battery pack, picking up or carrying the tool.** Carrying power tools with your finger on the switch or energising power tools that have the switch on invites accidents.
- Remove any adjusting key or wrench before turning the power tool on.** A wrench or a key left attached to a rotating part of the power tool may result in personal injury.
- Do not overreach. Keep proper footing and balance at all times.** This enables better control of the power tool in unexpected situations.
- Dress properly. Do not wear loose clothing or jewellery. Keep your hair and clothing away from moving parts.** Loose clothes, jewellery or long hair can be caught in moving parts.
- If devices are provided for the connection of dust extraction and collection facilities, ensure these are connected and properly used.** Use of dust collection can reduce dust-related hazards.
- Do not let familiarity gained from frequent use of tools allow you to become complacent and ignore tool safety principles.** A careless action can cause severe injury within a fraction of a second.

4 POWER TOOL USE AND CARE

- Do not force the power tool. Use the correct power tool for your application.** The correct power tool will do the job better and safer at the rate for which it was designed.
- Do not use the power tool if the switch does not turn it on and off.** Any power tool that cannot be controlled with the switch is dangerous and must be repaired.


- c. **Disconnect the plug from the power source and/or remove the battery pack, if detachable, from the power tool before making any adjustments, changing accessories, or storing power tools.** Such preventive safety measures reduce the risk of starting the power tool accidentally.
- d. **Store idle power tools out of the reach of children and do not allow persons unfamiliar with the power tool or these instructions to operate the power tool.** Power tools are dangerous in the hands of untrained users.
- e. **Maintain power tools and accessories. Check for misalignment or binding of moving parts, breakage of parts and any other condition that may affect the power tool's operation. If damaged, have the power tool repaired before use.** Many accidents are caused by poorly maintained power tools.
- f. **Keep cutting tools sharp and clean.** Properly maintained cutting tools with sharp cutting edges are less likely to bind and are easier to control.
- g. **Use the power tool, accessories and tool bits etc. in accordance with these instructions, taking into account the working conditions and the work to be performed.** Use of the power tool for operations different from those intended could result in a hazardous situation.
- h. **Keep handles and grasping surfaces dry, clean and free from oil and grease.** Slippery handles and grasping surfaces do not allow for safe handling and control of the tool in unexpected situations.

5 SERVICE

- a. **Have your power tool serviced by a qualified repair person using only identical replacement parts.** This will ensure that the safety of the power tool is maintained.
- b. **Only use original Festool parts for repair and maintenance.** The use of incompatible accessories or spare parts can result in electric shocks or other injuries.

3.2 Safety instructions for specific circular saws

Cutting procedures

-  **DANGER: Keep hands away from cutting area and the blade. Keep your second hand on auxiliary handle, or motor hous-**

ing. If both hands are holding the saw, they cannot be cut by the blade.

- **Do not reach underneath the workpiece.** The guard cannot protect you from the blade below the workpiece.
- **Adjust the cutting depth to the thickness of the workpiece.** Less than a full tooth of the blade teeth should be visible below the workpiece.
- **Never hold the workpiece in your hands or across your leg while cutting. Secure the workpiece to a stable platform.** It is important to support the work properly to minimise body exposure, blade binding, or loss of control.
- **Hold the power tool by the insulated handle surfaces if you intend to perform work that entails a risk of cutting into hidden power cables or the tool's own power cable.** Contact with live cables transfers an electric current to metal components on the electric power tool and causes electric shocks.
- **When ripping, always use a rip fence or straight edge guide.** This improves the accuracy of cut and reduces the chance of blade binding.
- **Always use blades with correct size and shape (diamond versus round) of arbour holes.** Blades that do not match the mounting hardware of the saw will run off-centre, causing loss of control.
- **Never use damaged or incorrect blade washers or bolt.** The blade washers and bolt were specially designed for your saw, for optimum performance and safety of operation.

Kickback causes and related warnings

- kickback is a sudden reaction to a pinched, jammed or misaligned saw blade, causing an uncontrolled saw to lift up and out of the workpiece toward the operator;
- when the blade is pinched or jammed tightly by the kerf closing down, the blade stalls and the motor reaction drives the unit rapidly back toward the operator;
- if the blade becomes twisted or misaligned in the cut, the teeth at the back edge of the blade can dig into the top surface of the wood causing the blade to climb out of the kerf and jump back toward the operator.

Kickback is the result of saw misuse and/or incorrect operating procedures or conditions and can be avoided by taking proper precautions as given below.

- **Maintain a firm grip with both hands on the saw and position your arms to resist kickback forces. Position your body to either side of the blade, but not in line with the blade.** Kickback could cause the saw to jump backwards, but kickback forces can be controlled by the operator, if proper precautions are taken.
 - **When blade is binding, or when interrupting a cut for any reason, release the trigger and hold the saw motionless in the material until the blade comes to a complete stop. Never attempt to remove the saw from the work or pull the saw backward while the blade is in motion or kickback may occur.** Investigate and take corrective actions to eliminate the cause of blade binding.
 - **When restarting a saw in the workpiece, centre the saw blade in the kerf so that the saw teeth are not engaged into the material.** If a saw blade binds, it may walk up or kickback from the workpiece as the saw is restarted.
 - **Support large panels to minimise the risk of blade pinching and kickback.** Large panels tend to sag under their own weight. Supports must be placed under the panel on both sides, near the line of cut and near the edge of the panel.
 - **Do not use dull or damaged blades.** Unsharpened or improperly set blades produce narrow kerf causing excessive friction, blade binding and kickback.
 - **Blade depth and bevel adjusting locking levers must be tight and secure before making the cut.** If blade adjustment shifts while cutting, it may cause binding and kickback.
 - **Use extra caution when sawing into existing walls or other blind areas.** The protruding blade may cut objects that can cause kickback.
- **Check the operation and condition of the guard return spring. If the guard and the spring are not operating properly, they must be serviced before use.** The guard may operate sluggishly due to damaged parts, gummy deposits, or a build-up of debris.
 - **Assure that the base plate of the saw will not shift while performing a "plunge cut".** Blade shifting sideways will cause binding and likely kick back.
 - **Always observe that the guard is covering the blade before placing the saw down on bench or floor.** An unprotected, coasting blade will cause the saw to walk backwards, cutting whatever is in its path. Be aware of the time it takes for the blade to stop after the switch is released.

Function of the guide wedge [5-4]

- **Use the correct saw blade for the guide wedge.** To ensure that the guide wedge functions properly, make sure that the blade core of the saw blade is thinner than the guide wedge and that the tooth width is greater than the thickness of the guide wedge.
- **Do not operate the saw if the guide wedge is bent.** Even the slightest problem can cause the guard to close more slowly.

3.3 Safety instructions for the pre-assembled saw blade

Usage

- The maximum speed specified on the saw blade must not be exceeded and the speed range must be adhered to.
- The pre-installed saw blade is only designed for use in circular saws.
- Proceed with extreme care when unpacking, packing and handling the tool (e.g. installing it in the machine). There is a risk of injury from extremely sharp cutting edges!
- When handling the tool, wearing safety gloves provides a more secure hold of the tool and further reduces the risk of injury.
- Circular saw blades with cracked bodies must be replaced. Repair is not permitted.
- Circular saw blades with a combination design (soldered saw teeth) with saw tooth thickness smaller than 1 mm must no longer be used.
- Do not use tools with visible cracks or blunt or damaged cutting edges.

Lower guard function

- **Check the lower guard for proper closing before each use. Do not operate the saw if the lower guard does not move freely and close instantly. Never clamp or tie the lower guard into the open position.** If the saw is accidentally dropped, the lower guard may be bent. Raise the lower guard with the retracting handle and make sure it moves freely and does not touch the blade or any other part, in all angles and depths of cut.

Installation and mounting


- Tools must be clamped in such a way that they cannot come loose during operation.
- When assembling the tools, it must be ensured that the clamping takes place on the tool hub or the clamping surface of the tool, and that the cutting edges do not come into contact with other components.
- Do not lengthen the key or tighten by hitting with a hammer.
- The clamping surfaces must be cleaned to remove contamination, grease, oil and water.
- Clamping screws must be tightened according to the manufacturer's instructions.
- Only securely installed rings, e.g. rings that have been pressed in or those that are held in position by an adhesive bond, may be used to adjust the hole diameter of circular saw blades to the spindle diameter of the machine. The use of loose rings is not permitted.

Service and maintenance

- Repairs and sanding work may only be carried out by Festool customer service workshops or experts.
- The tool design must not be changed.
- Deresinify and clean the tool regularly (cleaning agent with pH between 4.5 and 8).
- Blunt edges can be resharpened on the clamping surface to a minimum cutting edge thickness of 1 mm.
- Only transport the tool in suitable packaging – risk of injury!

3.4 Further safety instructions



- **Wear suitable personal protective equipment:** Ear protection, protective goggles, dust mask for work that generates dust, protective gloves for working with rough materials and for changing tools.
- **Harmful/toxic dust may be produced during your work (e.g. paint containing lead, certain types of wood or metals).** Contact with or inhalation of this dust may pose a risk for the operating personnel or persons in the vicinity. Comply with the safety regulations that apply in your country.
-  Wear a P2 respiratory mask to protect your health. In enclosed spaces, ensure

that there is sufficient ventilation and connect a mobile dust extractor.

- **This power tool cannot be installed in a work bench.** The power tool may become unsafe and cause serious accidents if installed in benches from other manufacturers or self-manufactured work benches.
- Check whether there are any signs of damage to the housing components, such as cracks or stress whitening. Have any damaged components repaired before using the power tool.
- **Use appropriate detection devices to look for any hidden supply lines or consult your local utility company.** If the insertion tool makes contact with live cables, it can result in fire and electric shock. Damage to a gas pipe can lead to an explosion. Penetration of a water pipe can result in damage to property.

3.5 Sawing aluminium

When sawing aluminium, the following measures must be taken for safety reasons:

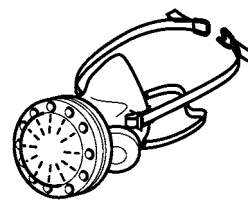
- Use an aluminium saw blade.
- Close the viewing window/chip guard.
- Install an upstream residual-current circuit breaker (RCD, PRCD).
- When sawing panels, they must be lubricated with petroleum, but thin-walled profiles (up to 1/8" (3 mm)) can be sawed without lubrication.

3.6 Health hazard by dust



WARNING! various dust created by power sanding, sawing, grinding, drilling and other construction activities contains chemicals known (to the State of California) to cause cancer, birth defects or other reproductive harm. Some examples of these chemicals are:

- lead from lead-based paints,
- crystalline silica from bricks and cement and other masonry products, and
- arsenic and chromium from chemically treated lumber.



The risk from these exposures varies, depending on how often you do this type of work. To reduce your exposure to these chemicals: work in a well ventilated

area, and work with approved safety equipment, such as dust masks that are specially designed to filter out microscopic particles. Wash hands after handling.

**WARNING**

TO REDUCE THE RISK OF INJURY, USER MUST READ INSTRUCTION MANUAL.

4 Intended use

Plunge-cut saws are designed for sawing wood, materials similar to wood, gypsum and cement-bonded fibre materials and plastics.

When fitted with the special saw blades offered by Festool, the machines can also be used for sawing unhardened ferrous metal and non-ferrous metal.

Materials containing asbestos must NOT be processed.

Do not use cutting or sanding discs.

This power tool may only be used by experts or instructed persons.



The user is liable for improper or non-intended use.

4.1 Saw blades

Only use saw blades with the following dimensions:

- Saw blades according to EN 847-1
 - Saw blade diameter 6-1/4" (160 mm)
 - Cutting width 1/16" (1.8 mm)
 - Locating bore 3/4" (20 mm)
 - Standard blade thickness 3/64" - 1/16" (1.1 - 1.4 mm)
 - Suitable for speeds of up to 9500 min⁻¹
- Festool saw blades comply with EN 847-1.

Only saw materials for which the saw blade in question has been designed.

5 Technical data

Plunge-cut saw	TS 55 FEQ
Power	12 A
No-load speed	2000 - 5800 min ⁻¹
Inclination	-1° to 47°
Cutting depth at 0°	0 - 2-1/8" (0-55 mm)
Cutting depth at 45°	0 - 1-11/16" (0-43 mm)
Saw blade dimensions	6-1/4 x 1/16 x 3/4" (160 x 1.8 x 20 mm)
Weight (without mains cable) as per EPTA-Procedure 01:2014	9.9 lbs (4.5 kg)

6 Functional description

- [1-1]** Adjustable jaws
- [1-2]** Scale
- [1-3]** Rotary knobs for adjusting the angle
- [1-4]** Handles
- [1-5]** Lever for changing the tool
- [1-6]** Safety lock
- [1-7]** On/off switch
- [1-8]** Extractor connector
- [1-9]** Unlocking devices for undercuts -1° to 47°
- [1-10]** Speed control
- [1-11]** Mains power cable
- [1-12]** Split scale for the cutting depth stop (with/without a guide rail)
- [1-13]** Cutting depth adjusting screw for re-conditioned saw blades
- [1-14]** Cutting depth stop
- [1-15]** Gauge marker
- [1-16]** Viewing window/chip guard
- [1-17]** Splinter guard
- [1-18]** Protective lid

The pictures for the functional description are on a fold-out page at the beginning of the instruction manual. While reading the manual you can fold out the page for comparison and quick reference.

Accessories shown or described are not always included in the scope of delivery.

7 Commissioning**WARNING****Unauthorised voltage or frequency.****Risk of accidents**

- ▶ The mains voltage and the frequency of the power source must correspond to the specifications on the name plate.
- ▶ In North America, only Festool machines with the voltage specifications 120 V/60 Hz may be used.



CAUTION

Heating of the Plug it connection if bayonet fitting is not completely locked

Risk of burns

- ▶ Before switching on the power tool, make sure that the bayonet fitting at the mains cable is closed fully and locked.



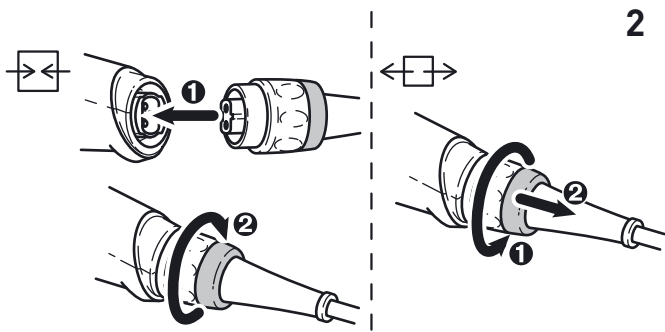
Always switch off the machine before connecting and disconnecting the mains power cable.

Connecting and detaching the mains power cable [1-11] see figure 2.



Slide the safety lock [1-6] upwards and press the on/off switch [1-7] (press = ON/release = OFF).

Pressing the safety lock unlocks the plunging mechanism. The saw unit can then be moved downwards. This causes the saw blade to emerge from the guard.



7.1 Extension Cord

If an extension cord is required, it must have a sufficient cross-section to prevent an excessive drop in voltage or overheating. An excessive drop in voltage reduces the output and can lead to failure of the motor. The table below shows you the correct cord diameter as a function of the cord length for this tool.

Cord Size in A.W.G

Tool`s Ampere Rating	Cord Length in Feet			
	25	50	100	150
3-6	18	16	16	14
6-8	18	16	14	12
8-10	18	16	14	12
10-12	16	16	14	12
12-16	14	12	-	-

Wire Sizes in mm²

Tool`s Ampere Rating	Cord Length in Meters			
	15	30	60	120
3-6	0.75	0.75	1.5	2.5
6-8	0.75	1.0	2.5	4.0
8-10	0.75	1.0	2.5	4.0
10-12	1.0	2.5	4.0	-
12-16	-	-	-	-

Use only NRTL listed extension cords.

Never use two extension cords together. Instead, use one long one.

- ⓘ The lower the AWG number, the stronger the cord.

8 Settings



WARNING

Risk of injury, electric shock

- ▶ Always disconnect the mains plug from the socket before performing any work on the machine.

8.1 Electronics

The machines TS 55 FEQ come with full-wave electronics with the following properties:

Smooth start-up

The electronically controlled smooth start-up function ensures that the power tool starts up smoothly.

Constant speed

The motor speed is electronically kept constant. This ensures a uniform cutting speed even when under load.

Speed control

You can continuously adjust the speed within the speed range using the adjusting wheel [1-10] (see "Technical data"). This enables you to optimise the cutting speed to suit each surface.

Speed range per material

Solid wood (hard, soft)	6
Chipboard and hardboard	3-6
Laminated wood, blockboard, veneered and laminated panels	6

Speed range per material

Laminate, mineral materials	4-6
Plaster- and cement-bonded chipboard and fibreboard	1-3
Aluminium panels and profiles up to 15 mm	4-6
Plastics, fibre-reinforced plastics, paper and fabric	3-5
Acrylic glass	4-5

Current limiting

Current limiting prevents excessive current consumption under extreme overload, which can lead to a decrease in the motor speed. The motor immediately restarts after the load is removed.

Temperature cut-out

The power supply is restricted and the speed reduced if the motor exceeds a certain temperature. The power tool continues operating at reduced power to allow the ventilator to cool the motor quickly. The power tool starts up again automatically once the motor has cooled sufficiently.

8.2 Adjusting the cutting depth

The cutting depth can be set at 0 - 2-1/8" (0 - 55 mm) at the cutting depth stop **[3-1]**.

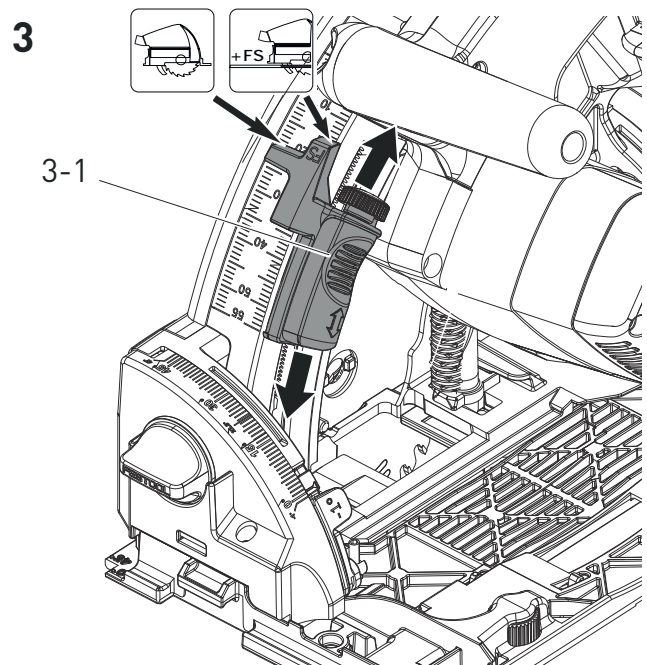
The saw unit can now be pushed downwards as far as the cutting depth that is set.



Cutting depth without guide rail
max. 2 - 1/8" (55 mm)



Cutting depth with FS guide rail
max. 1 - 15/16" (51 mm)



8.3 Setting the cutting angle

between 0° and 45°:

- ▶ Unscrew the rotary knobs **[4-1]**.
- ▶ Swivel the saw unit to the desired cutting angle **[4-2]**.
- ▶ Tighten the rotary knobs **[4-1]**.

(i) Both positions (0° and 45°) are set at the factory and can be readjusted by the customer service team.



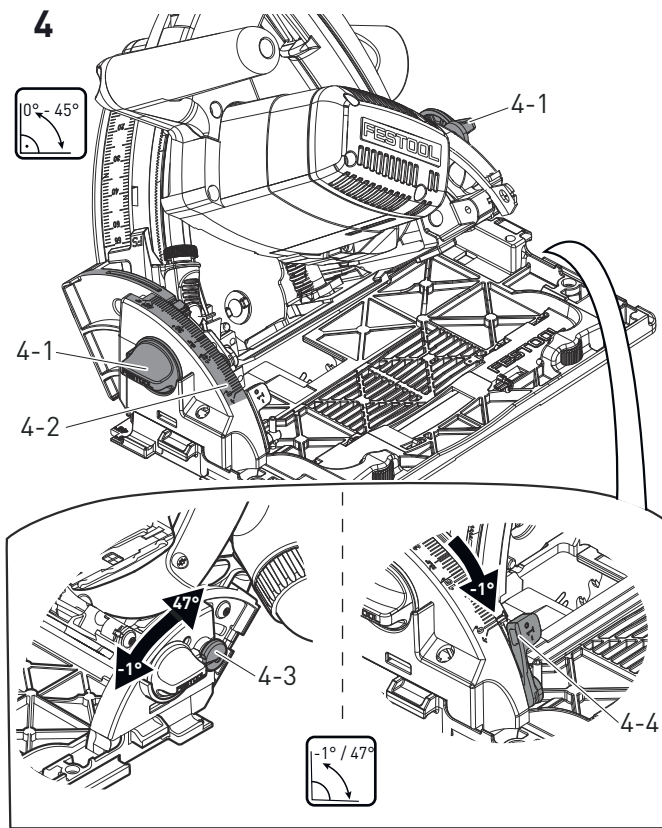
When making angled cuts, slide the viewing window/splinter guard to the highest position.

To undercut -1° and 47°:

- ▶ Swivel the saw unit to the end position (0°/45°) as described above.
- ▶ Pull out the release button **[4-3]** slightly.
- ▶ For -1° undercuts, also pull the release button **[4-4]**.

The saw unit engages in the -1°/47° position.

- ▶ Tighten the rotary knobs **[4-1]**.



8.4 Selecting the saw blade

Festool saw blades are identified by a coloured ring. The colour of the ring represents the material for which the saw blade is suited. Refer to the necessary saw blade data (see section 4.1).

Colour	Material	Symbol
Yellow	Wood	
Red	Laminate, mineral material	
Green	Plaster- and cement-bonded chipboard and fibreboard	
Blue	Aluminium, plastic	

8.5 Changing the saw blade



WARNING

Risk of injury, electric shock

- ▶ Always disconnect the mains plug from the socket before performing any work on the machine.



CAUTION

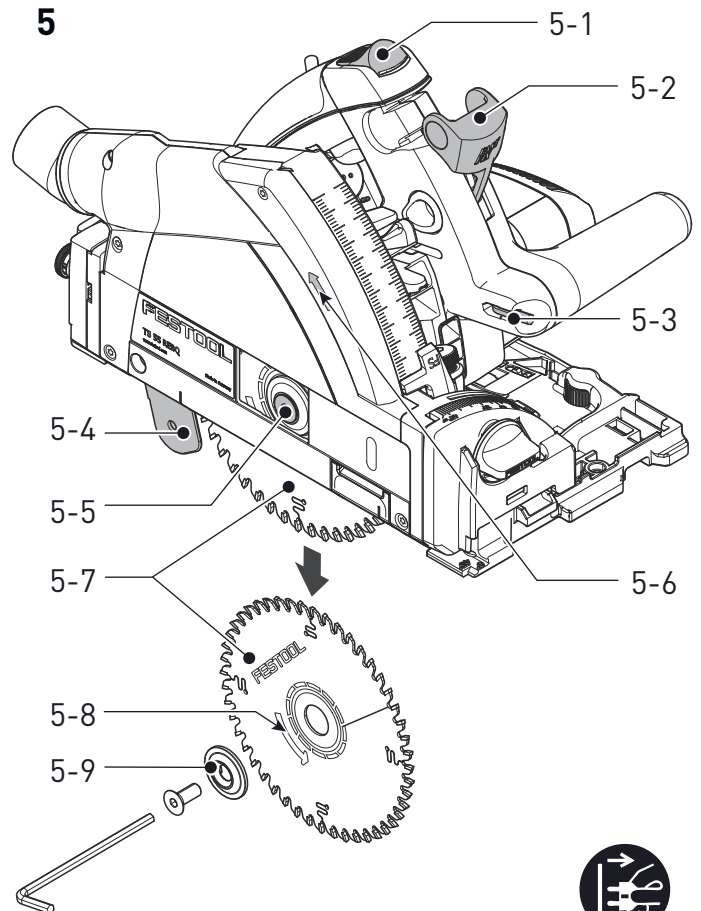
Risk of injury from hot and sharp insertion tool

- ▶ Do not use any blunt or faulty insertion tools.
- ▶ Wear protective gloves when handling an insertion tool.

Remove the saw blade

- ▶ Swivel the machine to 0° before replacing the saw blade and adjust the maximum cutting depth.
- ▶ Turn the lever [5-2] as far as it will go.
- ▶ Slide the safety lock [5-1] upwards and push the saw unit downwards until it clicks into place.
- ▶ Loosen the screw [5-5] using the Allen key [5-3].
- ▶ Remove the saw blade [5-7].

5



Inserting the saw blade

WARNING! Check the screws and flange for contamination and only use clean and undamaged parts.

- ▶ Insert the new saw blade.

WARNING! The direction of rotation of the saw blade [5-8] and saw [5-6] must match. Serious injuries may occur in the event of non-compliance.

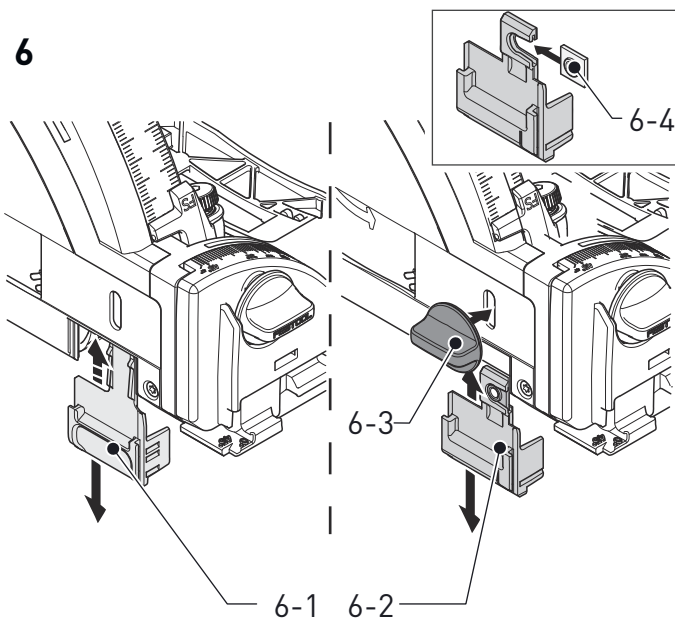
- ▶ Insert the outer flange [5-9] so that the pin engages in the recess on the inner flange.
- ▶ Tighten the screw [5-5].
- ▶ Reposition the lever [5-2].

8.6 Fitting the viewing window/splinter guard

The **viewing window** (transparent) [6-1] provides a view of the saw blade and optimises dust extraction.

With 0° cuts, the **splinter guard** (green) [6-2] also improves the quality of the cutting edge of the sawn-off workpiece on the upper side.

- ▶ Insert the splinter guard [6-2].
- ▶ Screw the rotary knob [6-3] through the long hole in the splinter guard.
- ▶ Make sure that the nut [6-4] is seated securely in the splinter guard.
- ▶ **CAUTION! Only use the rotary knob supplied with your plunge-cut saw.** The rotary knob of another saw may be too long and jam the saw blade.



Sawing a splinter guard

You must bed in the splinter guard before using it:

- ▶ Set the machine to maximum cutting depth.
- ▶ Set the machine speed to 6.
- ▶ Place the machine for sawing the splinter guard on a test piece of wood.

8.7 Dust extraction



WARNING

Health hazard posed by dust

- ▶ Always work with an extractor.
- ▶ Only use a dust extractor designed to collect the specific type of dust and particles from the material being cut.
- ▶ Follow OSHA and NFPA regulations to ensure a safe work environment.

Festool mobile dust extractor

A Festool mobile dust extractor with a suction hose diameter of 1-1/16"/1-17/64" (27/32 mm) or 1-7/16" (36 mm) (36 mm recommended due to the reduced risk of clogging) can be connected to the extractor connector.

The adapter on a 1-1/16" (27 mm) diameter suction hose is inserted into the angle adapter. The adapter on a 1-7/16" (36 mm) diameter suction hose is inserted over the angle adapter.

CAUTION! A static charge may build up if no antistatic suction hose is used. The user may receive an electric shock and the power tool's electronics may be damaged.

9 Working with the electric power tool



When working on the machine, observe all of the safety warnings that are listed at the start as well as the following rules:

Before starting

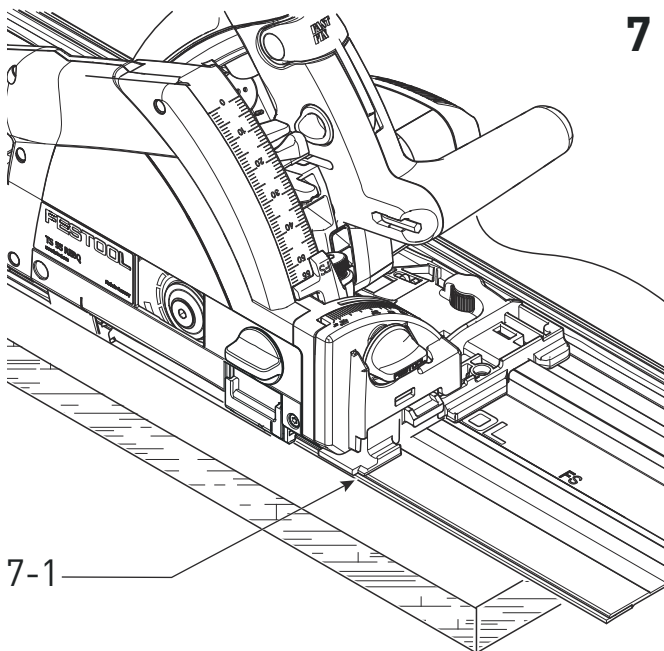
- Before each use, check whether the drive unit with the saw blade correctly and fully swivels back up into its initial position in the protective housing. Do not use the saw if the upper end position is not secured. Never clamp or secure the swivelling drive unit at a specific cutting depth. This would mean that the saw blade is not protected.
- Check the plunging mechanism prior to use and do not use the machine if it does not work correctly.
- Check that the saw blade is securely in place.
- Make sure that the rotary knob [1-3] is tightened before starting work.
- Make sure that extractor hose and mains power cable do not snag the entire saw cut, either on the workpiece, the workpiece support or hazards on the ground.
- Always secure the workpiece in such a way that it cannot move during machining.
- Position the workpiece so that it is stress-free and level.

During work

- When working, always hold the power tool **with both hands** on the handles **[1-4]**. This is a prerequisite for precise work and is essential for plunge-cutting. Plunge into the workpiece slowly and evenly.
- Only guide the power tool towards the workpiece when it is switched on.
- Always push the saw forwards **[8-1]**, and **never towards yourself**.
- Adapt the infeed speed to prevent the cutters on the saw blade from overheating and prevent plastic materials from melting during cutting. The harder the material to be sawn, the lower the feed speed needs to be.
- Do not work with the machine if the electronics are defective, because this may lead to excessive speeds. You can tell if the electronics are defective if there is no smooth start-up or if it is not possible to regulate the speed.
- Make sure that the guard completely surrounds the saw blade before placing the saw on the worktop or on the ground.

9.1 Sawing along the scribe mark

The gauge marker **[7-1]** displays the cutting line for 0° and 45° cuts (without a guide rail).



9.2 Cutting sections

Position the machine with the front part of the saw table on the workpiece, switch on the machine, push it down to the set cutting depth and push it forward in the cutting direction.

9.3 Sawing cut-outs (plunge cuts)



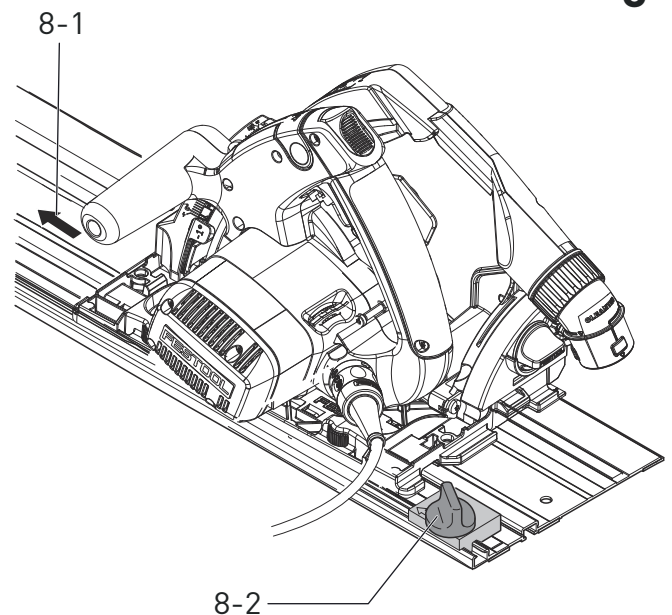
In order to avoid kickbacks, the following instructions must always be followed when plunge cutting:

- Always position the machine with the rear edge of the saw table against a fixed stop.
- When working with the guide rail, position the machine at the FS-RSP kickback stop (accessory) **[8-2]**, which is clamped to the guide rail.

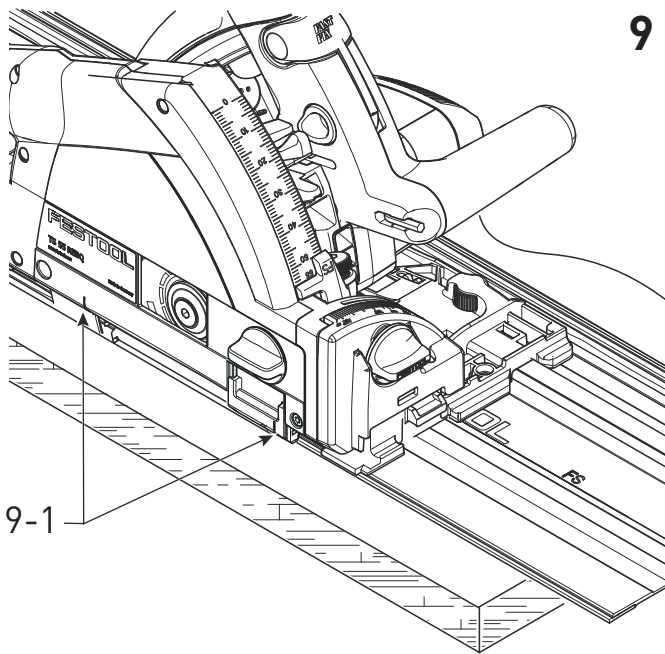
Procedure

- ▶ Place the machine on the workpiece and position it at a stop (kickback stop).
- ▶ Switch on the machine.
- ▶ Slowly push the machine down to the set cutting depth and push it forward in the cutting direction.

*The marks **[9-1]** indicate the absolute front and rear cutting points of the saw blade (Ø 6-1/4" (160 mm)) when using the saw at maximum cutting depth with the guide rail.*



9



9-1

9.4 Gypsum and cement-bound fibreboards

Due to the high volume of dust, it is recommended to use the cover ABSA-TS55 (accessories) which can be mounted at the side at the protective cover and a Festool mobile dust extractor.

10 Service and maintenance



WARNING

Any maintenance or repair work that requires opening of the motor or gear housing should only be carried out by an authorised Customer Service Centre (name supplied by your dealer)!

- Maintenance or repair work carried out by an unauthorised person can lead to the wrong connection of the power cord or other components, which in turn can lead to accidents with serious consequences.



WARNING

To prevent accidents, always remove the plug from the power supply socket before carrying out any changes or maintenance work on the tool!

- Do not use compressed air to clean the electrical tool! Do not try to clean parts inside the tool in this way, as you could let foreign objects in through the openings of the tool housing.



CAUTION

Certain cleaning agents and solvents are harmful to plastic parts.

- Some of these include, but are not limited to: Gasoline, Acetone, Methyl Ethyl Ketone (MEK), Carbonyl Chloride, cleaning solutions containing Chlorine, Ammonia, and household cleaners containing Ammonia.



Customer service and repairs must only be carried out by the manufacturer or service workshops. Find the nearest address at:
www.festoolusa.com/service



Always use original Festool spare parts. Order no. at:
www.festoolusa.com/service

The tool is equipped with special self-disconnecting carbon brushes. If they wear out, the power supply is disconnected automatically and the tool stops.

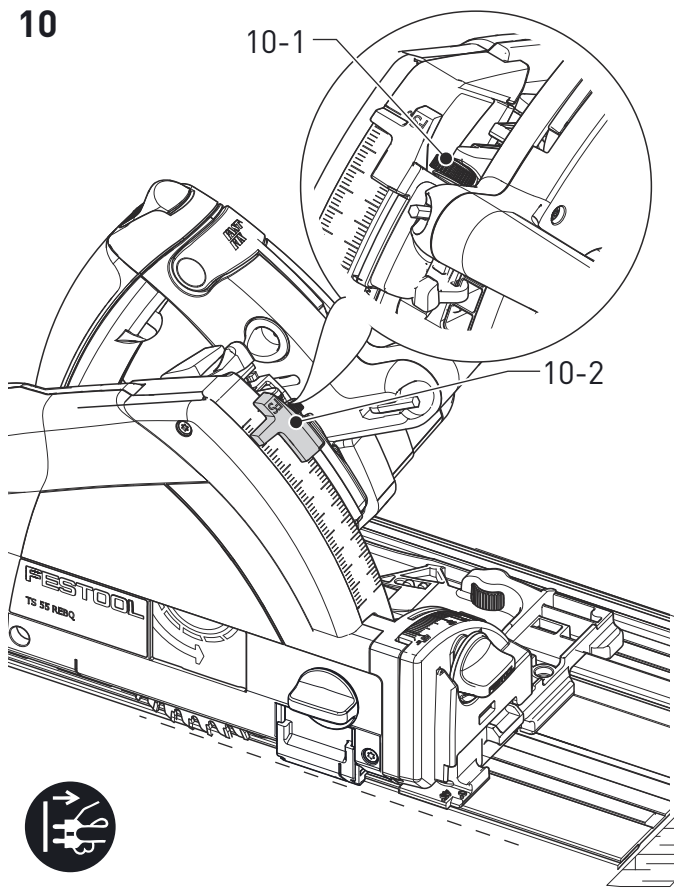
Observe the following instructions:

- Damaged safety devices and parts, such as a faulty lever for changing tools [1-5], must be properly repaired or replaced in a recognised specialist workshop, unless otherwise indicated in the operating manual.
- Check the condition and fault-free functioning of the recuperating springs, which push the entire drive mechanism bearing into the upper protected end positions.
- To ensure constant air circulation, always keep the cooling air openings in the housing clean and free of blockages.
- Use an extractor on all openings in order to remove wood chips and splinters from the power tool. Never open the protective lid [1-18].
- When working with plaster- and cement-bonded fibreboards, clean the tool particularly thoroughly. Clean the vents of the power tool and on/off switch using dry, oil-free compressed air. Otherwise, gypsum dust deposits may build up inside the power tool's housing and on the on/off switch and harden when exposed to humidity. This may impair the switching mechanism

10.1 Reconditioned saw blades

You can use the adjusting screw [10-1] to precisely set the cutting depth for reconditioned saw blades.

- ▶ Set the cutting depth stop **[10-2]** to 0 mm (with guide rail).
- ▶ Unlock the saw unit and push it downwards as far as the stop.
- ▶ Screw the adjusting screw **[10-1]** in until the saw blade comes into contact with the workpiece.



10.2 Saw table wobbles

- i** The saw table must be on an even surface when adjusting the cutting angle.

If the saw table wobbles, the setting must be implemented again (**Section 8.3**).

11 Accessories

Always use accessories and consumable materials approved by Festool. See Festool catalogue or www.festool.com.

The power tool may become unsafe and lead to serious accidents if other accessories and consumables are used.

In addition to the accessories described, Festool also provides a comprehensive range of system accessories that allow you to use your machine more effectively and in diverse applications, e.g.:

- Parallel stop, table widener PA-TS 55
- Side-mounted cover, false joint ABSA-TS 55

- Kickback stop FS-RSP
- Parallel stop FS-PA and guide extension FS-PA-VL
- Multifunction table MFT/3

11.1 Saw blades, other accessories

In order to saw different materials quickly and cleanly, Festool offers saw blades for all applications and these are specially designed for your Festool saw.

11.2 Guide system

The guide rail enables you to make clean, accurate cuts while simultaneously protecting the surface of the workpiece from damage.

In conjunction with the extensive range of accessories, exact angled cuts, mitre cuts and fitting work can be completed with the guide system. The option of attaching the guide rail securely using clamps **[11-2]** ensures safer working conditions.

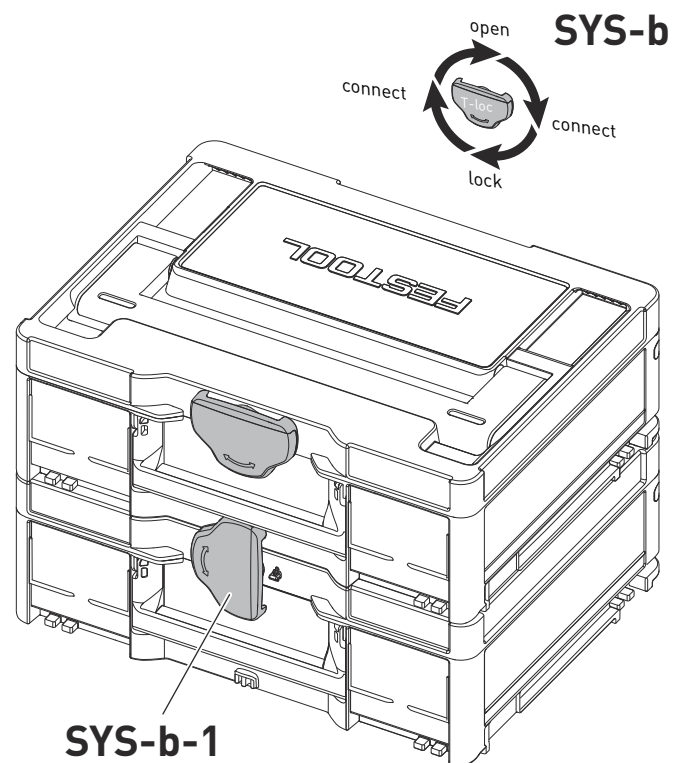
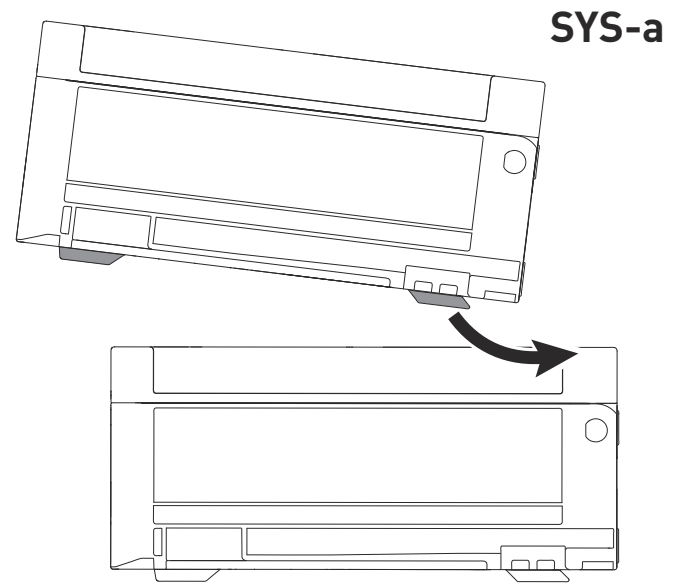
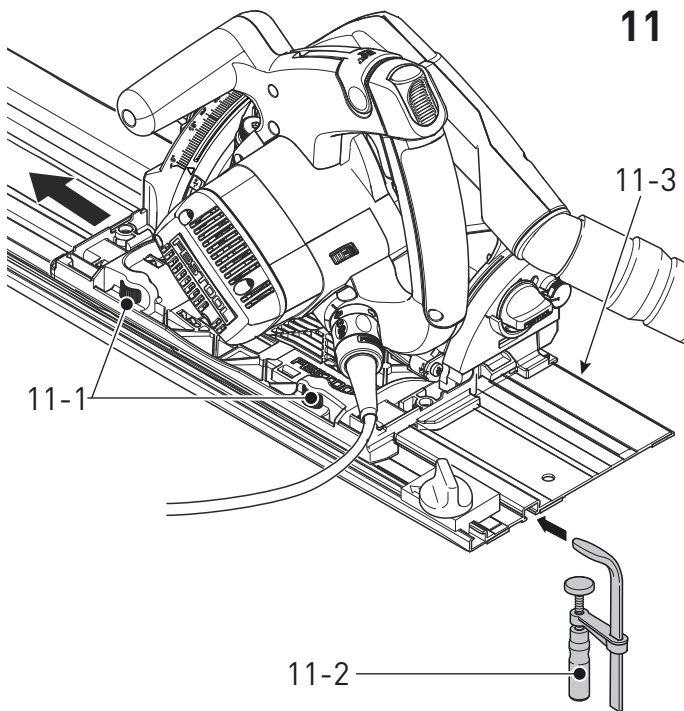
- ▶ Adjust the guide play between the saw table and the guide rail using the two adjustable jaws **[11-1]**.

Bed in the splinter guard **[11-3]** before using the guide rail for the first time:

- ▶ Set the machine speed to 6.
- ▶ Place the machine at the rear end of the guide rail together with the complete guide plate.
- ▶ Switch on the machine.
- ▶ Push down the machine slowly to the max. preset cutting depth and cut along the full length of the splinter guard without stopping.

The edge of the splinter guard now corresponds exactly to the cutting edge.

- i** Position the guide rail for sawing the splinter guard on a test piece of wood.




11.3 SYSTAINER


Systainer

Many Festool products are shipped in a unique system container, called "Systainer". This provides protection and storage for the tool and accessories. The Systainers are stackable and can be interlocked together. They also can be interlocked atop Festool CT dust extractors.

To open the Systainer


 Turn the T-loc **[SYS-b-1]** to this position.

To lock the Systainer


 Turn the T-loc **[SYS-b-1]** to this position.

To connect two Systainers

Place one Systainer on the top of the other (Fig. **[SYS-a]**).

 Turn the T-loc **[SYS-b-1]** to one of this positions (Fig. **[SYS-b]**).

The Systainers are connected and locked.

-  A Systainer Classic Line can be connected to a Systainer T-Loc or to a Systainer³ from below via its four locking devices. A Systainer T-Loc can be connected to a Systainer³ both from below and from above.

12 Environment

Do not dispose of the device as domestic waste! Dispose of machines, accessories and packaging at an environmentally responsible recycling centre. Observe the respective national regulations.

13 General information

13.1 Information on data privacy

The power tool contains a chip which automatically stores machine and operating data. The data saved cannot be traced back directly to an individual.

The data can be read in a contactless manner using special devices and shall only be used by

English

Festool for fault diagnosis, repair and warranty processing and for quality improvement or enhancement of the power tool. The data shall not be used in any other way without the express consent of the customer.




Sommaire

1	À propos de ce manuel.....	21
2	Symboles.....	21
3	Consignes de sécurité.....	22
4	Utilisation conforme.....	27
5	Caractéristiques techniques.....	27
6	Composants de l'appareil.....	27
7	Mise en service.....	28
8	Réglages.....	29
9	Utilisation de l'outil électroportatif.....	31
10	Maintenance et entretien.....	33
11	Accessoires.....	34
12	Environnement.....	36
13	Remarques générales.....	36






1 À propos de ce manuel

Conservez ces instructions

Il est important pour vous de lire et de comprendre ce manuel. Les informations qu'il contient, se rapporte à la protection **de votre sécurité** et **de prévention des problèmes**. Les symboles suivants sont utilisés pour vous aider à reconnaître cette information.

	DANGER	Description du risque imminent et l'incapacité à éviter tout risque qui peut entraîner la mort.
	AVERTISSEMENT	Description des dangers possibles et des blessures qui en résultent ou la mort.
	ATTENTION	Description des dangers et des éventuelles blessures qui en résultent.
	AVIS	Description des dommages potentiels sur l'appareil ou dans son environnement.

2 Symboles

-  Avertit d'un danger général
-  Avertit d'un risque de décharge électrique
-  Lire le mode d'emploi et les consignes de sécurité !
-  Porter une protection auditive !
-  Portez des gants de protection pour changer de lame et pour manipuler des matériaux rugueux !



Porter une protection respiratoire !



Porter des lunettes de protection !



Débrancher la fiche secteur



Débrancher le câble de raccordement secteur



Brancher le câble de raccordement secteur



Sens de rotation de la scie et de la lame de scie



L'outil contient une puce permettant l'enregistrement des données. Voir chapitre 13.1



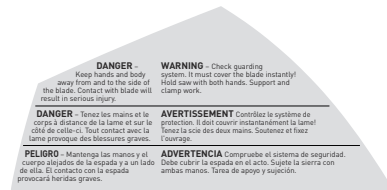
Instruction



Conseil, information



Classe de protection II



DANGER Tenez les mains et le corps à distance de la lame et sur le côté de celle-ci. Tout contact avec la lame provoque des blessures graves.


AVERTISSEMENT Contrôlez le système de protection. Il doit couvrir instantanément la lame! Tenez la scie des deux mains. Soutenez et fixez l'ouvrage.

- W watt
- V Volt
- A Ampère
- Hz Hertz
- ~ a.c. Tension alternative
- d.c. Tension continu
- n_0 Vitesse de rotation à vide

rpm	
min ⁻¹	Tours ou course par minute
tr/mi	
n	
"	pouce
lb.	livre
∅	Diamètre

3 Consignes de sécurité

3.1 Consignes générales de sécurité pour outils électroportatifs

 **AVERTISSEMENT !** Veuillez lire toutes les consignes de sécurité, instructions, illustrations et caractéristiques techniques qui accompagnent le présent outil électroportatif. Des négligences relatives aux instructions suivantes peuvent occasionner un choc électrique, un incendie et/ou des blessures graves.

Conserver l'ensemble des consignes de sécurité et des instructions afin de pouvoir les consulter ultérieurement.

Le terme « outil électroportatif » utilisé dans les consignes de sécurité se rapporte aux outils électroportatifs fonctionnant sur secteur (avec câble) et aux outils électroportatifs fonctionnant sur batterie (sans câble).

1 SÉCURITÉ DU POSTE DE TRAVAIL

- Veillez à ce que la zone de travail soit propre et bien éclairée.** Un poste de travail en désordre ou mal éclairé peut entraîner des accidents.
- Ne vous servez pas de l'outil électroportatif dans un environnement où il y a un risque d'explosion dû à la présence de liquides inflammables, de gaz ou de poussières.** Les outils électroportatifs peuvent générer des étincelles susceptibles d'enflammer la poussière ou les vapeurs.
- Éloignez les enfants et d'autres personnes pendant l'utilisation de l'outil électroportatif.** Si vous êtes distrait, vous pouvez perdre le contrôle de l'outil électroportatif.

2 SÉCURITÉ ÉLECTRIQUE

- Le connecteur de l'outil électroportatif doit correspondre à la prise électrique. Le connecteur ne doit être modifié d'aucune façon. N'utilisez pas d'adaptateur avec des outils électroportatifs mis à la terre.** Des connecteurs intacts et des prises corres-

pondantes diminuent le risque d'un choc électrique.

- Évitez tout contact avec des surfaces mises à la terre telles que des tuyaux, chauffages, cuisinières et réfrigérateurs.** Un risque élevé de choc électrique existe si votre corps est relié à la terre.
- Protégez les outils électroportatifs de la pluie et de l'humidité.** L'infiltration d'eau dans un outil électroportatif augmente le risque de choc électrique.
- Ne détournerez pas l'utilisation du câble de raccordement pour porter l'outil électroportatif, l'accrocher ou pour tirer le connecteur de la prise. Éloignez le câble de la chaleur, de l'huile, de bords tranchants ou de pièces en mouvement.** Des câbles de raccordement endommagés ou enchevêtrés augmentent le risque de choc électrique.
- Si vous travaillez avec un outil électroportatif à l'extérieur, utilisez uniquement des rallonges prévues pour l'extérieur.** L'utilisation d'un câble prévu pour l'extérieur diminue le risque d'un choc électrique.
- Utilisez un disjoncteur à courant de défaut quand le fonctionnement de l'outil électroportatif en environnement humide ne peut pas être évité.** L'utilisation d'un disjoncteur à courant de défaut diminue le risque d'un choc électrique.

3 SÉCURITÉ DES PERSONNES

- Soyez attentif à ce que vous faites, faites preuve de bon sens lorsque vous travaillez avec l'outil électroportatif. N'utilisez pas l'outil électroportatif si vous êtes fatigué ou si vous êtes sous l'influence de drogues, de l'alcool ou de médicaments.** Un moment d'inattention lors de l'utilisation de l'outil électroportatif peut entraîner des blessures graves.
- Portez un équipement de protection individuelle et des lunettes de protection en permanence.** Le port d'un équipement de protection individuelle tel que masque contre la poussière, chaussures de sécurité antidérapantes, casque ou protection auditive, en fonction du type et de l'utilisation de l'outil électroportatif, diminue le risque de blessures.
- Évitez toute mise en service involontaire. Assurez-vous que l'outil électroportatif est déconnecté avant de le raccorder à l'alimentation électrique et/ou à la batte-**

rie, avant de le soulever ou de le porter.

Si, en portant l'outil électroportatif, vous avez le doigt sur l'interrupteur ou si vous raccordez l'outil électroportatif connecté à l'alimentation électrique, cela peut entraîner des accidents.

- d. **Retirez les outils de réglage ou les clés anglaises avant de connecter l'outil électroportatif.** Un outil ou une clé qui se trouve dans une partie de l'outil électroportatif en rotation peut entraîner des blessures.
- e. **Évitez toute position de travail anormale. Veillez à maintenir une position stable et un bon équilibre à tout moment.** Vous pourrez ainsi à tout moment contrôler l'outil électroportatif dans des situations inattendues.
- f. **Portez des vêtements adaptés. Ne portez pas de vêtements amples ou de bijoux. Éloignez vos cheveux et vos vêtements des pièces en mouvement.** Des vêtements amples, des bijoux ou des cheveux longs pourraient se prendre dans les pièces en mouvement.
- g. **Si des dispositifs d'aspiration et de récupération des poussières peuvent être montés, raccordez-les et utilisez-les correctement.** L'utilisation d'une aspiration des poussières peut diminuer les dangers dus aux poussières.
- h. **Ne vous croyez pas faussement en sécurité et n'enfreignez pas les règles de sécurité destinées aux outils électroportatifs, même si vous maîtrisez l'outil électroportatif après de multiples utilisations.** Un manque d'attention peut en un quart de seconde entraîner de graves blessures.

4 UTILISATION ET TRAITEMENT DE L'OUTIL ÉLECTROPORTATIF

- a. **Ne surchargez pas l'outil électroportatif. Utilisez l'outil électroportatif destiné à votre travail.** L'outil électroportatif adapté vous permet de travailler mieux et avec plus de sécurité dans la plage de puissance indiquée.
- b. **N'utilisez aucun outil électroportatif dont l'interrupteur serait défectueux.** Un outil électroportatif qui ne peut plus être mis en marche ou arrêté est dangereux et doit être réparé.
- c. **Débranchez le connecteur de la prise de courant et/ou retirez une batterie amovible avant d'effectuer des réglages sur l'appareil, de remplacer des pièces d'outil**

ou de déposer l'outil électroportatif. Cette mesure de précaution empêche un démarrage involontaire de l'outil électroportatif.


- d. **Rangez toujours les outils électroportatifs inutilisés hors de portée des enfants. Ne laissez aucune personne à laquelle vous ne faites pas confiance ou qui n'a pas lu ces consignes se servir de l'outil électroportatif.** Les outils électroportatifs sont dangereux lorsqu'ils sont utilisés par des personnes inexpérimentées.
- e. **Prenez soin de vos outils électroportatifs et outils. Vérifiez que les parties mobiles fonctionnent sans problème, qu'elles ne coïncent pas et qu'il n'y a pas de parties cassées ou endommagées qui pourraient entraver le bon fonctionnement de l'outil électroportatif. Faites réparer les parties endommagées avant d'utiliser l'outil électroportatif.** De nombreux accidents sont dus à un mauvais entretien des outils électroportatifs.
- f. **Maintenez les outils de coupe affûtés et propres.** Des outils de coupe entretenus avec soin dotés de bords de coupe affûtés se coïncent moins et sont plus faciles à utiliser.
- g. **Utilisez l'outil électroportatif, les outils, etc. en respectant ces instructions. Tenez compte des conditions de travail et de la tâche à effectuer.** L'utilisation des outils électroportatifs pour d'autres applications que celles prévues peut entraîner des situations dangereuses.
- h. **Veillez à ce que les poignées et surfaces des poignées soient sèches, propres et exemptes d'huile ou de graisse.** Des poignées et surfaces de poignées glissantes ne permettent pas une utilisation en toute sécurité ni un contrôle de l'outil électroportatif dans des situations imprévues.

5 SERVICE

- a. **Faites réparer votre outil électroportatif uniquement par un personnel qualifié ; les réparations doivent être uniquement effectuées avec des pièces détachées d'origine,** afin de garantir la fiabilité de l'outil électroportatif.
- b. **Pour la réparation et l'entretien, n'utilisez que des pièces d'origine.** L'utilisation d'accessoires ou de pièces détachées non adaptés risque de provoquer une électrocution ou des blessures.

3.2 Consignes de sécurité spécifiques aux scies circulaires

Sciage

-  **DANGER ! N'approchez pas vos mains de la zone de sciage et de la lame de scie. Tenez la poignée supplémentaire ou le carter moteur à l'aide de votre deuxième main.** Vous éviterez tout risque de blessure avec la lame de scie si vous tenez la scie circulaire à deux mains.
- **Ne touchez pas le dessous de la pièce.** Le capot de protection ne peut pas vous protéger de la lame de scie dans la zone située au-dessous de la pièce.
- **Adaptez la profondeur de coupe à l'épaisseur de la pièce.** Les dents ne doivent pas être complètement visibles sous la pièce.
- **Ne tenez jamais la pièce à scier dans la main ou sur la jambe. Fixez la pièce sur un support stable.** Il est important de bien fixer la pièce à travailler afin de réduire les risques de contact corporel, de blocage de la lame de scie ou de perte de contrôle.
- **Si l'outil monté risque d'entrer en contact avec des câbles invisibles ou son propre câble de raccordement, tenez l'outil électroportatif par les parties isolées.** Le contact avec un câble sous tension met également les pièces métalliques de l'outil électroportatif sous tension et peut provoquer une décharge électrique.
- **Pour les coupes en longueur, utilisez toujours une butée ou une arête de guidage droite.** Ceci permet d'améliorer la précision de la coupe et de réduire les risques de blocage de la lame de scie.
- **Utilisez toujours des lames de scie présentant une taille et un trou de fixation adaptés (par ex. trou en forme de losange ou rond).** Les lames de scie qui ne sont pas adaptées aux pièces de montage de la scie tournent de manière excentrique et entraînent une perte de contrôle.
- **N'utilisez jamais de brides ou de vis de serrage détériorées ou inadaptées.** Les brides et les vis de serrage de la lame de scie ont été conçues spécialement pour votre scie afin de garantir une performance optimale ainsi que la sécurité de fonctionnement.

Causes du recul et consignes de sécurité correspondantes

- Le recul est un mouvement soudain qu'effectue la lame de scie quand elle s'accroche, se coince ou est mal alignée. La scie se soulève alors de manière incontrôlée, sort du matériau et se déplace en direction de l'utilisateur ;
- quand la lame de scie s'accroche ou se coince dans la fente de coupe qui se resserre, elle reste bloquée et la force générée par le moteur repousse l'appareil en direction de l'utilisateur ;
- Si la lame de scie se tord ou est mal alignée dans la ligne de coupe, les dents de sa partie arrière peuvent s'accrocher dans la surface de la pièce. Dans ce cas, la lame de scie est éjectée de la fente de coupe et la scie est repoussée en direction de l'utilisateur.

Le recul résulte d'une utilisation incorrecte ou inappropriée de la scie. Il peut être évité en appliquant les mesures de précaution adéquates, comme décrit ci-après.

- **Tenez fermement la scie des deux mains et placez vos bras à une position dans laquelle vous serez en mesure de résister à la force du recul. Tenez-vous toujours à côté de la lame de scie et ne placez jamais cette dernière dans l'axe de votre corps.** En cas de recul, la scie circulaire peut être projetée en arrière. Toutefois, l'utilisateur peut maîtriser la force du recul s'il a pris les mesures appropriées.
- **Si la lame de scie se coince ou que vous souhaitez interrompre votre travail, relâchez l'interrupteur marche/arrêt et maintenez la scie dans le matériau jusqu'à ce qu'elle soit complètement immobile. Ne tentez jamais de sortir la scie de la pièce ou de la tirer vers l'arrière tant que la lame de scie est en mouvement. Ceci pourrait provoquer un recul.** Déterminez la cause du blocage de la lame de scie et prenez les mesures nécessaires pour y remédier.
- **Si vous souhaitez remettre en marche une scie enfoncée dans la pièce, centrez la lame de scie dans la fente de coupe et vérifiez que les dents de la scie ne se sont pas accrochées dans la pièce.** Si la lame de scie est bloquée, il est possible qu'elle sorte de la pièce ou provoque un recul au redémarrage de la scie.

- **Placez des appuis sous les panneaux de grande taille afin de réduire le risque blocage de la lame de scie et de recul.** Les panneaux de grande taille peuvent fléchir sous leur propre poids. Les panneaux doivent être soutenus des deux côtés, près de la fente de coupe tout comme sur les bords.
- **N'utilisez pas de lames de scie émoussées ou endommagées.** En raison d'une fente de coupe trop étroite, les lames de scie dont les dents sont émoussées ou tordues provoquent une friction plus importante, un blocage de la lame de scie et un recul.
- **Avant le sciage, serrez les éléments de réglage de la profondeur et de l'angle de coupe.** En cas de changement des réglages pendant le sciage, la lame de scie peut se bloquer et provoquer un recul.
- **Soyez particulièrement prudent lors des coupes plongeantes dans des parois ou d'autres zones sans visibilité.** Lors du sciage, la lame de scie peut se bloquer dans des objets invisibles et provoquer un recul.

Fonctionnement du capot de protection

- **Avant chaque utilisation, vérifiez que le capot de protection se ferme parfaitement. N'utilisez pas la scie si le capot de protection est gêné dans son mouvement et ne se ferme pas instantanément. Veillez à ne jamais bloquer ou attacher le capot de protection. Sinon, la lame de scie n'est plus protégée.** Si la scie tombe par accident sur le sol, le capot de protection risque de se déformer. Assurez-vous que le capot de protection n'est pas gêné dans son mouvement et qu'il ne touche ni la lame de scie ni d'autres pièces quels que soient l'angle et la profondeur de coupe.
- **Vérifiez l'état et le fonctionnement des ressorts du capot de protection. Si le capot de protection et les ressorts ne fonctionnent pas parfaitement, faites réparer l'appareil.** Les pièces endommagées, les dépôts collants et les accumulations de copeaux ralentissent le fonctionnement du capot de protection.
- **Pour les coupes plongeantes qui ne sont effectuées à angle droit, fixez la plaque de base de la scie de manière à empêcher tout mouvement.** Un déplacement latéral peut provoquer un blocage de la lame de scie et, par conséquent, un recul.

- **Ne posez pas la scie sur l'établi ou sur le sol sans que le capot de protection ne recouvre la lame de scie.** Une lame de scie non protégée ou encore en phase de ralentissement déplace la scie dans le sens inverse du sens de coupe et scie tout ce qui se trouve sur son chemin. Il est donc indispensable de tenir compte de la durée de ralentissement de la scie avant l'arrêt complet.

Fonctionnement du guide-lame [5-4]

- **Utilisez la lame de scie adaptée au guide-lame.** Pour que le guide-lame puisse fonctionner, le corps de la lame de scie doit être plus mince que le guide-lame et la largeur de dent doit être supérieure à l'épaisseur du guide-lame.
- **N'utilisez pas la scie avec un guide-lame déformé.** La moindre déformation peut ralentir la fermeture du capot de protection.

3.3 Consignes de sécurité relatives à la lame de scie prémontée

Utilisation

- La vitesse maximale indiquée sur la lame de scie ne doit pas être dépassée ou la plage de vitesse doit être respectée.
- La lame de scie prémontée est réservée pour l'utilisation dans des scies circulaires.
- Déballez, emballez et manipulez l'outil avec le plus grand soin (lors de l'installation dans la machine par ex.). Risque de blessure dû aux dents très tranchantes !
- Lors de la manipulation de l'outil, le port de gants de protection améliore la prise sur l'outil et réduit encore le risque de blessure.
- Remplacez les lames de scie circulaire fissurées. Une remise en état n'est pas autorisée.
- Les lames de scies circulaires de type composite (avec dents de scie soudées) dont l'épaisseur des dents est inférieure à 1 mm ne doivent plus être utilisées.
- N'utilisez pas les outils avec des fissures visibles, des dents émoussées ou endommagées.

Montage et fixation

- Les outils doivent être serrés de telle sorte qu'ils ne se détachent pas pendant le travail.
- Lors du montage des outils, s'assurer que le serrage sur le moyeu de l'outil ou sur la surface de serrage de l'outil a bien lieu et

que les lames n'entrent pas en contact avec les autres éléments.

- Le fait de rallonger la clé ou de la serrer avec des coups de marteau n'est pas autorisé.
- Nettoyer les salissures, la graisse, l'huile ou l'eau des surfaces de serrage.
- Serrer les vis de serrage selon les instructions du fabricant.
- Pour adapter le diamètre d'alésage des lames de scie circulaire au diamètre de la broche de la machine, seules des bagues fixes sont utilisées, par ex. : des bagues pressées ou maintenues en place par collage. L'utilisation de bagues desserrées n'est pas autorisée.

Entretien et maintenance

- Les réparations et travaux de ponçage ne doivent être effectués que par des ateliers du service après-vente Festool ou par des experts.
- Ne modifiez pas la conception de l'outil.
- Enlevez la résine et nettoyez régulièrement l'outil (produit nettoyant dont le pH est compris entre 4,5 et 8).
- Les arêtes de coupe émoussées peuvent être rectifiées sur la surface de coupe jusqu'à une épaisseur de coupe minimale de 1 mm.
- Transportez l'outil dans un emballage approprié pour éviter tout risque de blessure !

3.4 Autres consignes de sécurité



- **Portez un équipement de protection individuelle approprié** : une protection auditive, des lunettes de protection, un masque anti-poussière lors des travaux impliquant un dégagement de poussière et des gants de protection dans le cas des matériaux rugueux et lors du changement d'outil.
- **Pendant l'utilisation du travail, des poussières nocives/toxiques peuvent être générées (comme les poussières de peintures au plomb et certaines poussières de bois ou de métaux).** Le contact avec ces poussières ou leur inhalation peut présenter un danger pour la santé de l'utilisateur ou des personnes se trouvant à proximité. Veuillez respecter les prescriptions de sécurité en vigueur dans votre pays.



- Pour protéger votre santé, portez un masque de protection respiratoire de catégorie P2. Dans les espaces clos, assurer une ventilation suffisante et raccorder un aspirateur.
- **Cet outil électroportatif ne doit pas être intégré dans une table de travail.** Le montage sur une table de travail d'un autre fabricant ou des tables réalisées par soi-même peut rendre l'outil électroportatif instable et conduire à de graves accidents.
- Vérifiez si des éléments du carter présentent des dommages (fissures, fendillements, etc.). Faites réparer les parties endommagées avant d'utiliser l'outil électroportatif.
- **Utilisez des appareils de détection appropriés pour repérer les câbles d'alimentation invisibles ou consultez l'entreprise de distribution locale.** Le contact de l'outil monté avec un câble sous tension peut provoquer un feu ou une décharge électrique. Une conduite de gaz endommagée peut provoquer une explosion. Le perçage dans une conduite d'eau provoque des dégâts matériels.

3.5 Sciage de l'aluminium

Pour des raisons de sécurité, prenez les mesures suivantes en cas de sciage d'aluminium :

- Utilisez une lame de scie pour aluminium.
- Fermez la fenêtre d'inspection/le protecteur contre les projections de copeaux.
- Installer en amont un disjoncteur différentiel.
- Pour scier des panneaux, la lame doit être graissée avec de la graisse de pétrole, des profilés aux parois minces (1/8" (3 mm) max.) peuvent être traités sans graissage.

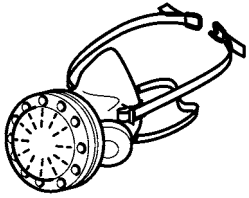
3.6 La poussière, un risque pour la santé



AVERTISSEMENT! certaines poussières créées par le ponçage mécanique, le sciage, le meulage, le perçage et autres activités reliées à la construction contiennent des substances chimiques connues (dans l'État de la Californie) comme pouvant causer le cancer, des anomalies congénitales ou représenter d'autres dangers pour la reproduction. Voici quelques exemples de telles substances:

- plomb provenant de peintures à base de plomb,
- silice cristallisée utilisée dans les briques, le ciment et autres matériaux de maçonnerie, et

- arsenic et chrome du bois d'oeuvre traité avec un produit chimique.



Le risque d'exposition à de tels produits varie selon la fréquence à laquelle vous faites ce genre de travail. Pour réduire les risques

d'exposition à ces substances chimiques : travaillez dans un endroit adéquatement ventilé et utilisez un équipement de sécurité approuvé, tel que masques antipoussières spécialement conçus pour filtrer les particules microscopiques.



AVERTISSEMENT

POUR RÉDUIRE LE RISQUE DE DOMMAGES, L'UTILISATEUR DOIT LIRE LE MANUEL D'INSTRUCTION.

4 Utilisation conforme

Les scies plongeantes sont conçues pour scier le bois et matériaux similaires, les matières fibreuses à liant plâtre et à liant ciment ainsi que les plastiques.

Les lames de scies spéciales proposées par Festool permettent d'utiliser les outils pour scier également les métaux ferreux non trempés et les métaux non ferreux.

L'utilisation de l'outil électroportatif avec des matériaux contenant de l'amiante n'est pas autorisée.

N'utilisez pas de disques à tronçonner ni de disques abrasifs.

Cet outil électroportatif doit uniquement être utilisé par des personnes qualifiées ou ayant reçu les informations et instructions nécessaires.



L'utilisateur est responsable des dommages provoqués par une utilisation non conforme.

4.1 Lames de scie

Seules des lames de scie conformes aux caractéristiques suivantes sont autorisées :

- Lames de scie selon EN 847-1
 - Diamètre de lame 6-1/4" (160 mm)
 - Largeur de coupe 1/16" (1.8 mm)
 - Alésage 3/4" (20 mm)
 - Épaisseur de lame 3/64" - 1/16" (1.1 - 1.4 mm)
 - Utilisable pour vitesses jusqu'à 9500 min⁻¹
- Les lames de scie Festool répondent à la norme EN 847-1.

Scier uniquement des matériaux pour lesquels la lame de scie utilisée a été conçue.

5 Caractéristiques techniques

Scie plongeante	TS 55 FEQ
Puissance	12 A
Régime (à vide)	2000 - 5800 min ⁻¹
Position inclinée	-1° à 47°
Profondeur de coupe à 0°	0 - 2-1/8" (0-55 mm)
Profondeur de coupe à 45°	0 - 1-11/16" (0-43 mm)
Dimensions lame de scie	6-1/4 x 1/16 x 3/4" (160 x 1.8 x 20 mm)
Poids selon la procédure EPTA 01:2014 (sans le cordon d'alimentation)	9.9 lbs (4.5 kg)

6 Composants de l'appareil

- [1-1]** Touches de réglage
- [1-2]** Échelle angulaire
- [1-3]** Boutons de blocage pour réglage angulaire
- [1-4]** Poignées
- [1-5]** Levier pour changement d'outil
- [1-6]** Dispositif de marche forcée
- [1-7]** Interrupteur de marche/arrêt
- [1-8]** Raccord d'aspiration
- [1-9]** Déverrouillage des contre-dépouilles -1° à 47°
- [1-10]** Régulation de la vitesse
- [1-11]** Câble de raccordement secteur
- [1-12]** échelle graduée en deux parties pour butée de profondeur de coupe (avec/ sans rail de guidage)
- [1-13]** Vis de réglage de la profondeur de coupe pour lames de scie poncées ultérieurement
- [1-14]** Butée de profondeur de coupe
- [1-15]** Indicateur de coupe
- [1-16]** Fenêtre d'inspection/ protecteur contre les projections de copeaux

[1-17] Pare-éclats

[1-18] Couvercle de protection

Des éléments fournis sont disponibles sur le volet qui se trouve au début de cette notice d'utilisation. Vous pouvez ainsi déplier cette page et visualiser en permanence les différentes parties de l'outil lorsque vous lisez la notice.

Les accessoires illustrés ou décrits ne font pas tous partie des éléments livrés.

7 Mise en service



AVERTISSEMENT

Tension ou fréquence non admissible !

Risque d'accident

- La tension et la fréquence d'alimentation électrique doivent être conformes aux indications de la plaque signalétique.
- En Amérique du nord, utiliser uniquement les machines Festool fonctionnant sous une tension de 120 V / 60 Hz.



ATTENTION

Échauffement du raccord plug-it si le raccord à baïonnette n'est pas complètement verrouillé

Risque de brûlures

- Avant de mettre en marche l'outil électroportatif, assurez-vous que le raccord à baïonnette sur le câble de raccordement secteur est complètement fermé et verrouillé.



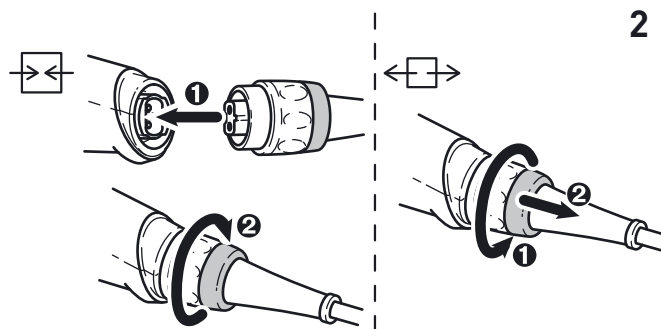
Toujours éteindre la machine avant de brancher ou débrancher le câble de raccordement secteur !

Branchement et débranchement du câble de raccordement secteur **[1-11]**, voir figure 2.



Poussez le bouton de sécurité anti-déclenchement **[1-6]** vers le haut et appuyez sur l'interrupteur MARCHE/ARRÊT **[1-7]** (pression = marche, relâchement = arrêt).

L'actionnement du bouton de sécurité anti-déclenchement a pour effet de déverrouiller le dispositif de plongée. Le bloc de sciage peut être déplacé vers le bas. Lors du déplacement, la lame de scie sort du capot de protection.



7.1 Rallonge

S'il est nécessaire d'utiliser une rallonge, celle-ci doit présenter une section suffisante pour éviter une perte de tension excessive ou une surchauffe. Une perte de tension excessive réduit la puissance et peut provoquer la défaillance du moteur. Le tableau ci-dessous indique le diamètre de câble approprié en fonction de la longueur de câble pour cet outil.

Taille de câble en AWG

Intensité nominale de l'outil	Longueur de câble en pieds			
	25	50	100	150
3-6	18	16	16	14
6-8	18	16	14	12
8-10	18	16	14	12
10-12	16	16	14	12
12-16	14	12	-	-

Taille de câble en mm²

Intensité nominale de l'outil	Longueur de câble en mètres			
	15	30	60	120
3-6	0,75	0,75	1,5	2,5
6-8	0,75	1,0	2,5	4,0
8-10	0,75	1,0	2,5	4,0
10-12	1,0	2,5	4,0	-
12-16	-	-	-	-

Utiliser uniquement des rallonges homologuées NRTL.

Ne jamais utiliser deux rallonges ensemble. Au lieu de cela, utiliser une rallonge plus longue.

i Plus la valeur AWG est faible, plus le diamètre du câble est élevé.

8 Réglages



AVERTISSEMENT

Risque de blessures, décharge électrique

- Débrancher la fiche de la prise de courant avant toute intervention sur la machine !

8.1 Électronique

Les modèles TS 55 FEQ disposent d'une électronique complète qui présente les caractéristiques suivantes :

Démarrage progressif

Le démarrage progressif à régulation électronique assure un démarrage sans à-coups de l'outil électroportatif.

Vitesse constante

Le système électronique maintient le régime du moteur à un niveau constant. La vitesse de coupe reste donc stable, même lorsque l'appareil est fortement sollicité.

Régulation de la vitesse

La molette **[1-10]** permet un réglage continu de la vitesse dans la plage de régimes (voir Caractéristiques techniques). Il est ainsi possible d'adapter de manière optimale la vitesse de coupe au type de surface.

Niveau de régime selon le matériau

Bois massif (dur, tendre)	6
Panneaux de particules et panneaux durs	3 - 6
Bois stratifié, panneaux lattés, contre-plaqués et revêtus	6
Stratifiés, matières minérales	4 - 6
Panneaux de particules et de fibres à base de plâtre et de ciment	1 - 3
Panneaux et profilés d'aluminium jusqu'à 15 mm	4 - 6
Plastiques, plastiques renforcés aux fibres de verre, papier et tissu	3 - 5
Verre acrylique	4 - 5

Limitation de courant

La limitation de courant empêche une consommation électrique excessive en cas de très forte surcharge, susceptible d'entraîner une baisse de régime du moteur. Dès la disparition de la surcharge, le moteur se remet en route.

Fusible thermique

En cas de température excessive du moteur, l'alimentation électrique et la vitesse sont réduites. L'outil électroportatif fonctionne alors à puissance réduite afin de permettre un refroidissement rapide par ventilation du moteur. Après refroidissement, l'outil électroportatif redémarre automatiquement.

8.2 Réglage de la profondeur de coupe

La profondeur de coupe peut être réglée entre 0 - 2-1/8" (0 - 55 mm) au niveau de la butée de profondeur de coupe **[3-1]**.

Le bloc de sciage peut maintenant être abaissé jusqu'à la profondeur de coupe réglée.



Profondeur de coupe sans rail de guidage

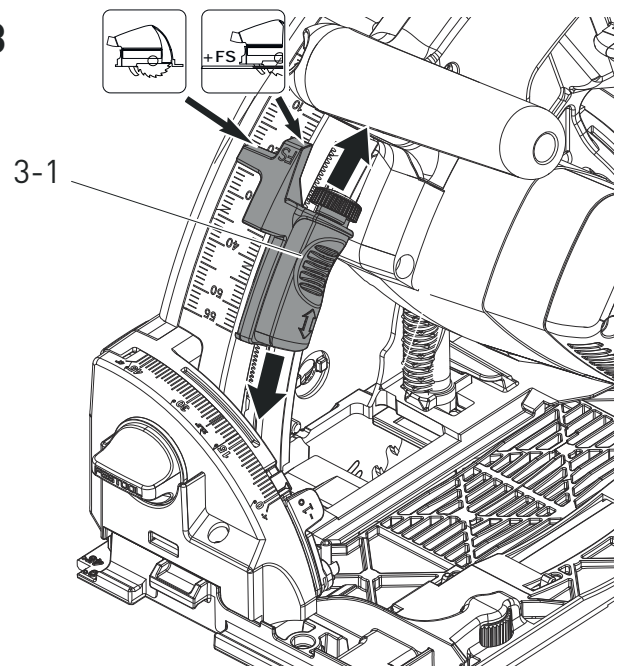
max. 2 - 1/8" (55 mm)



Profondeur de coupe avec rail de guidage FS

max. 1 - 15/16" (51 mm)

3



8.3 Régler l'angle de coupe

sur une plage de 0° à 45°:

- Desserrez les boutons rotatifs **[4-1]**.
- Basculez le bloc de sciage jusqu'à l'angle de coupe souhaité **[4-2]**.
- Serrez les boutons rotatifs **[4-1]**.

ⓘ Les deux positions (0° et 45°) sont réglées en usine et peuvent être réajustées par le service après-vente.



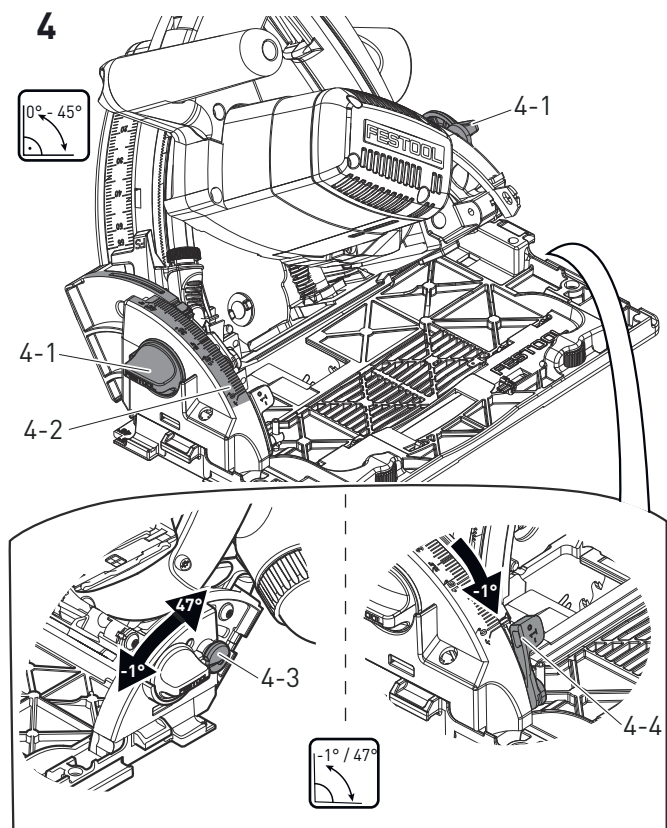
Lors des coupes en biais, placez la fenêtre d'inspection/le pare-éclats en position supérieure !

Pour contre-dépouille de -1° et 47° :

- ▶ Basculez le bloc de sciage en position finale (0°/45°) comme décrit ci-dessus.
- ▶ Tirez légèrement l'élément de déverrouillage [4-3].
- ▶ Pour la contre-dépouille de -1°, tirez également l'élément de déverrouillage [4-4].

Le bloc de sciage passe en position -1°/47°.

- ▶ Serrez les boutons rotatifs [4-1].



8.4 Sélectionner la lame de scie

Les lames de scie Festool sont marquées d'un anneau de couleur. La couleur de l'anneau correspond à la matière à laquelle convient la lame de scie.

Respectez les exigences concernant les lames de scie (voir chapitre 4.1).

Couleur	Matériau	Symbole
Jaune	Bois	
Rouge	Stratifiés, matières minérales	
Vert	Panneaux de particules et de fibres à base de plâtre et de ciment	
Bleu	Aluminium, plastiques	

8.5 Remplacement de la lame de scie

AVERTISSEMENT

Risque de blessures, décharge électrique

- ▶ Débrancher la fiche de la prise de courant avant toute intervention sur la machine !

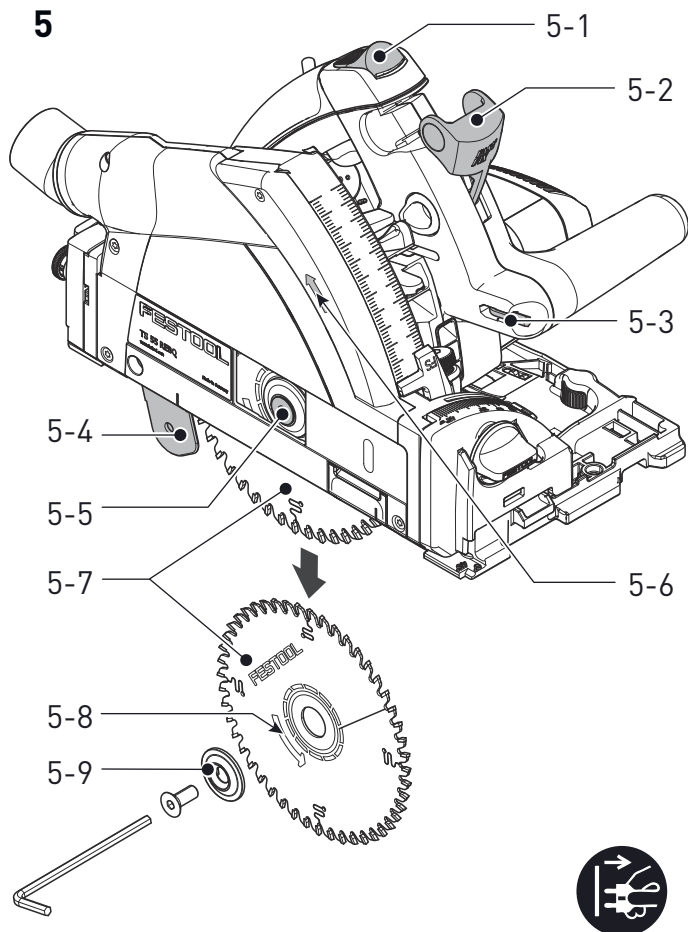
ATTENTION

Risque de blessures dû à l'outil d'usinage chaud et tranchant

- ▶ Ne pas monter d'outils d'usinage émoussés ou défectueux.
- ▶ Se munir de gants de protection pour manipuler l'outil d'usinage.

Retrait de la lame de scie

- ▶ Avant le remplacement de la lame de scie, basculez la machine en position 0° et réglez-la sur la profondeur de coupe maximale.
- ▶ Rabattez le levier [5-2] jusqu'en butée.
- ▶ Poussez le bouton de sécurité anti-déclenchement [5-1] vers le haut et abaissez le bloc de sciage jusqu'à ce qu'il s'enclenche.
- ▶ Desserrez la vis [5-5] avec la clé pour vis six pans creux [5-3].
- ▶ Retirez la lame de scie [5-7].



Montage de la lame de scie

AVERTISSEMENT ! Vérifiez l'absence de saletés sur les vis et la bride et n'utilisez que des pièces propres et intactes !

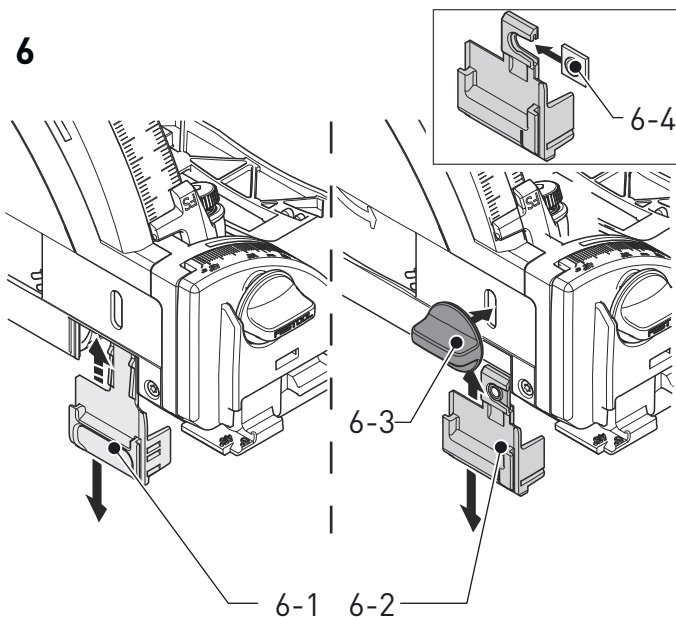
- ▶ Insérez la nouvelle lame de scie.
AVERTISSEMENT ! La lame de scie [5-8] et la scie [5-6] doivent tourner dans le même sens !! Il y a sinon un risque de blessures graves.
- ▶ Insérez la bride extérieure [5-9] de sorte que les ergots d'entraînement s'engagent dans l'évidement de la bride intérieure.
- ▶ Serrez la vis [5-5].
- ▶ Ramenez le levier [5-2] dans sa position initiale.

8.6 Montage de la fenêtre d'inspection/du pare-éclats

La **fenêtre d'inspection** (transparente) [6-1] permet de voir la lame de scie et optimise l'aspiration des poussières.

Lors de coupes à 0°, le **pare-éclats** (vert) [6-2] améliore en outre la qualité de l'arête de coupe sur la face supérieure de la pièce sciée.

- ▶ Installez le pare-éclats [6-2].
- ▶ Vissez le bouton rotatif [6-3] dans le pare-éclats à travers le trou oblong.
- ▶ Veillez à ce que l'écrou [6-4] soit solidement fixé dans le pare-éclats.
- ▶ **ATTENTION ! Utilisez uniquement le bouton rotatif fourni avec votre scie plongeante.** Le bouton rotatif d'une autre scie peut être trop long et bloquer la lame de scie.



Entaillage du pare-éclats

Avant la première utilisation, il est nécessaire d'entailler le pare-éclats :

- ▶ Réglez la machine sur la profondeur de coupe maximale.
- ▶ Réglez la vitesse de la machine en position 6.
- ▶ Pour entailler le pare-éclats, posez la machine sur une chute de bois.

8.7 Aspiration



AVERTISSEMENT

Risques pour la santé dus aux poussières

- ▶ Ne jamais travailler sans aspirateur.
- ▶ Utiliser uniquement un aspirateur conçu pour collecter le type spécifique de poussières et particules provenant du matériau coupé.
- ▶ Respecter les réglementations de l'OSHA et de la NFPA pour garantir un environnement de travail sûr.

Aspirateur Festool

Le raccord d'aspiration permet de raccorder un aspirateur Festool équipé d'un tuyau de 1-1/16"/1-17/64" (27/32 mm) ou 1-7/16" (36 mm) de diamètre (conseil : un tuyau de 36 mm de diamètre réduit le risque de colmatage).

La pièce de raccordement d'un tuyau d'aspiration Ø 1-1/16" (27 mm) est placée dans la pièce coudée. La pièce de raccordement d'un tuyau d'aspiration Ø 1-7/16" (36 mm) est placée sur la pièce coudée.

ATTENTION ! Si vous n'utilisez pas de tuyau d'aspiration antistatique, une accumulation d'électricité statique est possible. L'utilisateur risque alors de subir un choc électrique et l'électronique de l'outil électroportatif risque d'être endommagée.

9 Utilisation de l'outil électroportatif



Pendant l'utilisation, respectez toutes les consignes de sécurité indiquées ci-avant ainsi que les règles suivantes :

Avant de commencer

- Vérifiez avant chaque utilisation si l'unité d'entraînement avec la lame de scie bascule bien à nouveau vers le haut jusque dans sa position d'origine dans le carter de protection. N'utilisez pas la scie si la lame ne revient pas complètement vers le haut. Ne bloquez ou ne fixez jamais l'unité d'entraînement pivotante dans une profondeur de

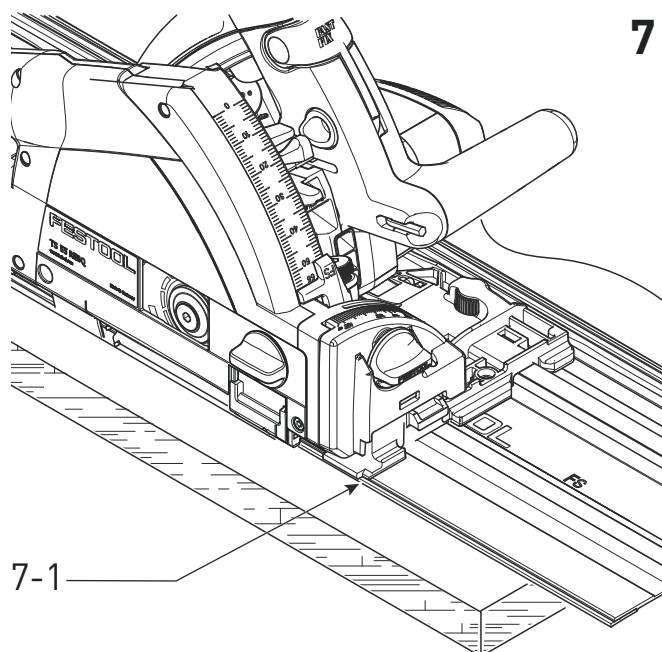
- coupe particulière. La lame de scie ne serait alors pas protégée.
- Vérifiez avant chaque utilisation le bon fonctionnement du dispositif de plongée et utilisez la machine uniquement s'il fonctionne correctement.
 - Vérifier la bonne fixation de la lame de scie.
 - Assurez-vous avant l'utilisation que le bouton rotatif **[1-3]** est serré.
 - Assurez-vous que le tuyau d'aspiration et le câble secteur ne se coincent à aucun moment de la coupe, que ce soit sur la pièce, sur le support de pièce ou entre des objets sur le sol.
 - Fixez toujours la pièce de manière à ce qu'elle ne puisse pas bouger pendant l'utilisation de l'outil électroportatif.
 - Poser la pièce à plat et sans la soumettre à des contraintes.

Pendant l'utilisation

- Pendant l'utilisation, **tenez toujours l'outil électroportatif des deux mains** par les poignées **[1-4]**. Cela est indispensable pour un travail précis et la réalisation de coupes plongeantes. Plongez la lame dans la pièce lentement et avec un mouvement régulier.
- Guider l'outil électroportatif contre la pièce à travailler seulement quand celui-ci est activé.
- Poussez toujours la scie vers l'avant **[8-1]**, **jamais vers l'arrière** vers vous.
- En sélectionnant une vitesse d'avance adaptée, vous évitez une surchauffe des arêtes de coupe de la lame de scie et, dans le cas de coupes de matières plastiques, une fusion du plastique. Plus le matériau à scier est dur, plus la vitesse d'avance doit être faible.
- N'utilisez pas la machine si l'électronique est défectueuse car elle peut alors se mettre à tourner à des vitesses excessives. La défectuosité de l'électronique est reconnaissable au fait que le démarrage progressif ou régulation de vitesse sont inopérantes.
- Avant de poser la scie sur l'établi ou sur le sol, assurez-vous que le capot de protection recouvre complètement la lame de scie.

9.1 Sciage d'après tracé


L'indicateur de coupe **[7-1]** affiche le déroulement de coupe en pas de 0° et 45° (sans rail de guidage).



9.2 Réalisation de coupes droites

Placer l'outil avec la partie avant de la table de sciage sur la pièce à travailler, brancher l'outil, appuyer vers le bas sur la profondeur de coupe réglée et avancer en direction de la coupe.

9.3 Réalisation de découpes (coupes plongeantes)

 Afin d'éviter tout risque de recul, il est impératif d'appliquer les consignes suivantes lors des coupes plongeantes :

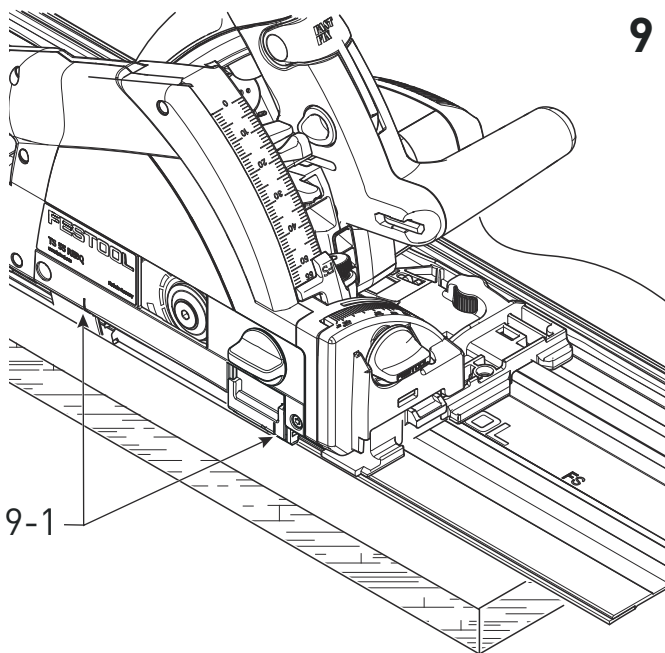
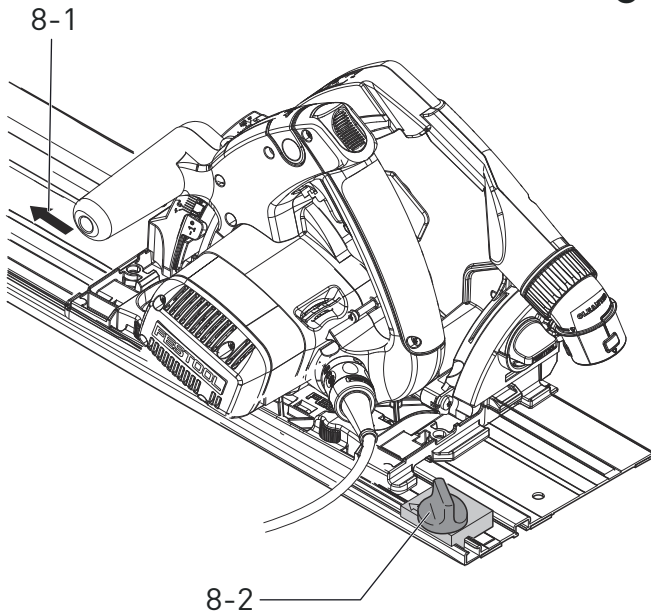
- Placez toujours le bord arrière de la table de sciage de la machine contre une butée solidement fixée.
- Pour travailler avec le rail de guidage, placez la machine contre la butée anti-recul FS-RSP (accessoire) **[8-2]**, à fixer sur le rail de guidage.

Marche à suivre

- ▶ Posez la machine sur la pièce et placez-la contre une butée (butée anti-recul).
- ▶ Mettez la machine en marche.
- ▶ Abaissez lentement la machine à la profondeur de coupe réglée et avancez-la dans le sens de coupe.

À la profondeur de coupe maximale et en combinaison avec le rail de guidage, les marques **[9-1]** indiquent les points de coupe de la lame de scie ($\varnothing 6-1/4''$ (160 mm)) situés le plus en avant et le plus en arrière.

8 10 Maintenance et entretien



9.4 Panneaux de fibres à liant plâtre et à liant ciment

En raison de la quantité élevée de poussières, nous vous recommandons d'utiliser le couvercle ABSA-TS55 (accessoires) monté latéralement sur le capot de protection et un aspirateur Festool.



AVERTISSEMENT

Tout travail de maintenance ou de réparation, qui nécessite l'ouverture du moteur ou du carter d'engrenages doit uniquement être effectué par un centre service-client autorisé (nom fourni par votre revendeur) !

- Les travaux de maintenance ou de réparation effectués par un personnel non autorisé peuvent conduire à la mauvaise connexion de câbles d'alimentation ou d'autres composants, ce qui peut entraîner à son tour des accidents avec des conséquences graves.



AVERTISSEMENT

Pour éviter les accidents, retirez toujours la fiche mâle de la prise d'alimentation électrique avant d'effectuer tout travail de maintenance ou de réparation sur la machine !

- N'utilisez pas d'air comprimé pour nettoyer l'outil électrique ! N'essayez pas de nettoyer des parties à l'intérieur de la machine de cette façon, étant donné que des corps étrangers pourraient pénétrer dans les ouvertures du carter de la machine.



ATTENTION

Certains produits nettoyants et solvants sont nocifs pour les pièces en plastique.

- Quelques exemples de produit nocif : essence, acétone, méthyléthylcétone (MEK), chlorure de carbonyle, solutions nettoyantes contenant du chlore, de l'ammoniac et les produits ménagers contenant de l'ammoniac.



Service après-vente et réparation uniquement par le fabricant ou des ateliers homologués. Pour trouver l'adresse la plus proche : www.festool.fr/services



Utiliser uniquement des pièces détachées Festool d'origine ! Réf. sur : www.festool.fr/services

L'appareil est équipé de charbons spéciaux à coupure automatique. Lorsque ceux-ci sont usés, l'alimentation est coupée et l'appareil s'arrête.

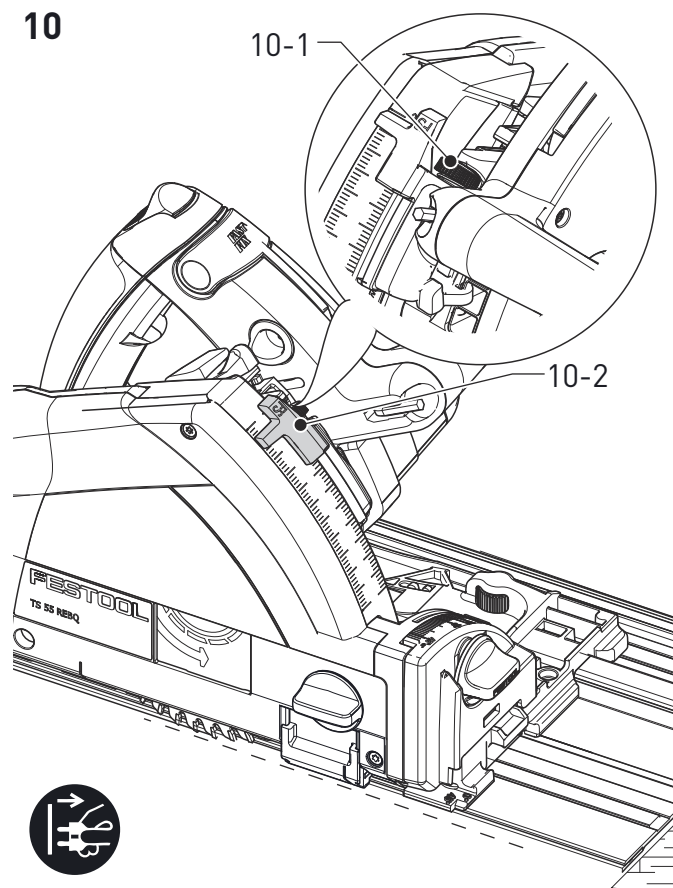
Respecter les consignes suivantes :

- ▶ Sauf indication contraire dans la notice d'utilisation, les dispositifs de protection et pièces endommagés (p. ex. un levier de changement d'outil **[1-5]**) doivent être réparés ou remplacés dans les règles de l'art par un atelier spécialisé agréé.
- ▶ Contrôlez l'état et le bon fonctionnement du ressort de rappel qui ramène l'unité d'entraînement complète dans la position de butée supérieure protégée.
- ▶ Pour garantir la circulation de l'air, les ouïes de ventilation sur le boîtier doivent toujours rester propres et dégagées.
- ▶ Aspirez tous les orifices pour retirer les éclats et copeaux de l'outil électroportatif. N'ouvrez jamais le couvercle de protection **[1-18]**.
- ▶ En cas d'utilisation sur des panneaux de fibres à liant plâtre et à liant ciment, nettoyez très soigneusement l'appareil. Nettoyez les ouvertures de ventilation de l'outil électroportatif et de l'interrupteur marche/arrêt avec de l'air comprimé sec et sans huile. Sinon, de la poussière contenant du plâtre peut se déposer dans le boîtier de l'outil électroportatif de même que sur l'interrupteur marche/arrêt, puis durcir sous l'effet de l'humidité de l'air. Ceci peut compromettre le bon fonctionnement du mécanisme de commutation

10.1 Lames de scie réaffûtées

La vis de réglage **[10-1]** permet de régler avec précision la profondeur de coupe des lames de scie réaffûtées.

- ▶ Réglez la butée de profondeur de coupe **[10-2]** sur 0 mm (avec rail de guidage).
- ▶ Déverrouillez le bloc de sciage et abaissez-le jusqu'en butée.
- ▶ Vissez la vis de réglage **[10-1]** jusqu'à ce que la lame de scie touche la pièce.

10**10.2 La table de sciage n'est pas stable**

- i** Lors du réglage de l'angle de coupe, la table de sciage doit reposer sur une surface plane.

Si la table de sciage n'est pas stable, le réglage doit être recommencé (**chapitre 8.3**).

11 Accessoires

N'utiliser que des accessoires et consommables homologués par Festool. Voir le catalogue Festool ou www.festoolusa.com.

L'utilisation d'autres accessoires et consommables peut rendre l'outil électroportatif instable et entraîner de graves accidents.

Outre les accessoires décrits, Festool propose des accessoires système complets, vous permettant une utilisation polyvalente et efficace de votre machine, p. ex. :

- Butée parallèle, extension de table PA-TS 55
- Revêtement latéral, ajourage ABSA-TS 55
- Butée anti-recul FS-RSP
- Butée parallèle FS-PA et rallonge FS-PA-VL
- Table multifonctions MFT 3

11.1 Lames de scie, autres accessoires

Afin de pouvoir découper rapidement et proprement différents matériaux, Festool propose des

lames de scie spécialement adaptées à la scie Festool et à tous les cas d'utilisation.

11.2 Système de guidage

Le rail de guidage permet d'obtenir des coupes précises et nettes. Il protège par ailleurs la surface de la pièce contre tout dommage.

En combinaison avec les nombreux accessoires proposés, le système de guidage permet d'effectuer des coupes en biais, des coupes d'onglet et des opérations d'ajustage précises. La possibilité de fixation au moyen de serre-joints **[11-2]** garantit un maintien fiable et un travail en toute sécurité.

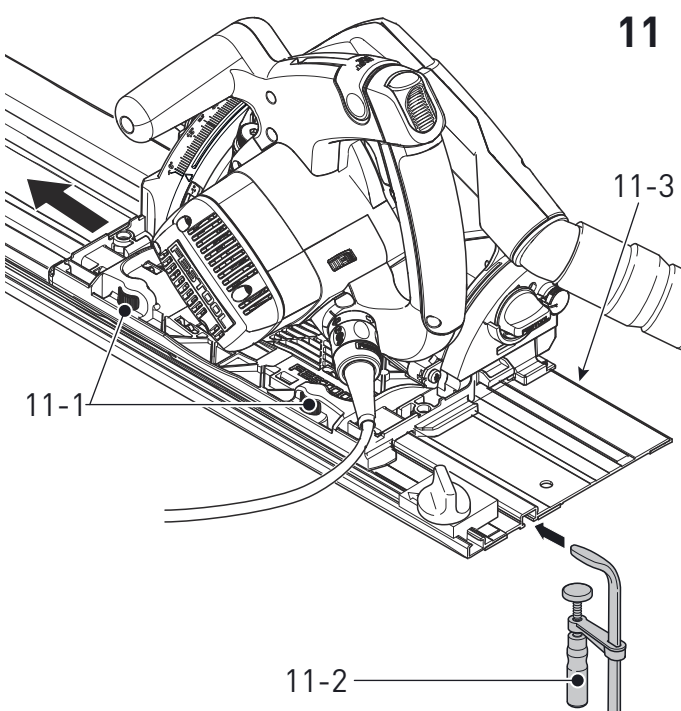
- ▶ Régler le jeu de guidage de la table de sciage sur le rail de guidage avec les deux touches de réglage **[11-1]**.

Avant la première utilisation du rail de guidage, sciez le pare-éclats **[11-3]** :

- ▶ Réglez la vitesse de la machine sur le niveau 6.
- ▶ Placez la plaque de guidage entière de la machine sur l'extrémité arrière du rail de guidage.
- ▶ Mettez la machine en marche.
- ▶ Abaissez lentement la machine jusqu'à la profondeur de coupe max. réglée et sciez le pare-éclats sur toute la longueur sans vous arrêter.

L'arête du pare-éclats correspond alors exactement à l'arête de coupe.

- ⓘ Pour entailler le pare-éclats, posez le rail de guidage sur une chute de bois.




11.3 SYSTAINER


Systainer

De nombreux produits Festool sont fournis dans une caisse exclusive, appelée "Systainer". Celle-ci permet de protéger et de ranger des outils et des appareils complémentaires. Les Systainer sont empilables et peuvent être solidarisés. En outre, il se fixent sur les aspirateurs CT Festool.

Pour ouvrir le Systainer

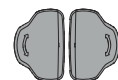
-  Tournez le T-loc **[SYS-b-1]** à cette position.

Pour fermer le Systainer

-  Tournez le T-loc **[SYS-b-1]** à cette position.

Pour connecter deux Systainers

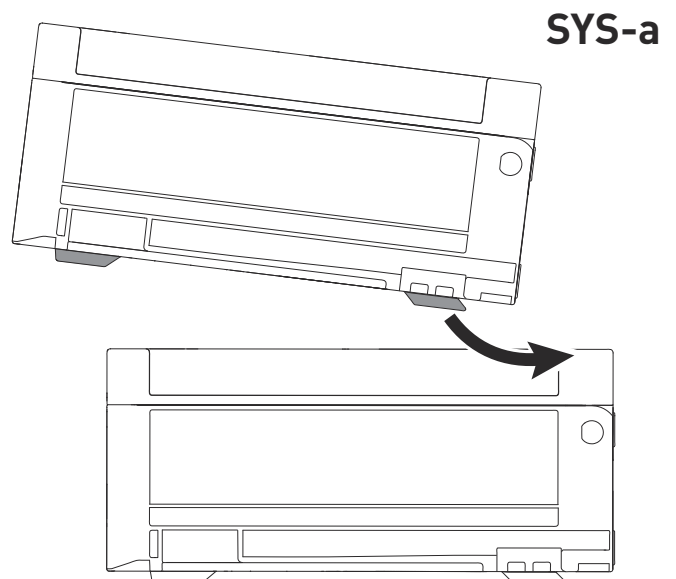
Placez un Systainer au dessus de l'autre **[SYS-a]**.

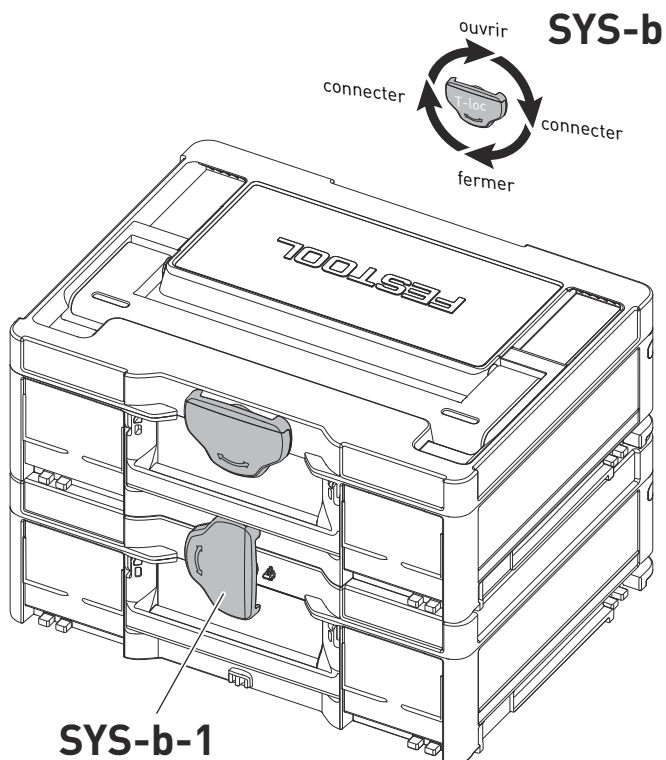
-  Tournez le T-loc **[SYS-b-1]** à une de cette positions (Fig. **[SYS-b]**).

Les Systainers sont combinés.

- ⓘ Un Systainer Classic Line peut être relié par en bas à un Systainer T-Loc ou à un Systainer³ avec ses quatre éléments de verrouillage

Un Systainer T-Loc peut être relié à un Systainer³ à la fois par le bas et par le haut.





12 Environnement

Ne jetez pas l'appareil avec les ordures ménagères ! Éliminez l'appareil, les accessoires et les emballages de façon compatible avec l'environnement. Respectez les prescriptions nationales en vigueur.

13 Remarques générales

13.1 Informations relatives à la protection des données

L'outil électroportatif contient une puce permettant l'enregistrement automatique des données d'outil et de fonctionnement. Les données enregistrées ne contiennent aucune référence directe aux personnes.

Les données peuvent être lues sans contact à l'aide d'appareils spéciaux. Elles sont utilisées par Festool uniquement pour le diagnostic d'erreurs, la gestion des réparations et de la garantie, ainsi que pour l'amélioration de la qualité et/ou le perfectionnement de l'outil électroportatif. Toute utilisation des données dépassant ce cadre – sans l'accord exprès du client – est exclue.

Índice de contenidos

1	Sobre este manual.....	37
2	Símbolos.....	37
3	Indicaciones de seguridad.....	38
4	Uso conforme a lo previsto.....	43
5	Datos técnicos.....	43
6	Componentes.....	43
7	Puesta en servicio.....	44
8	Ajustes.....	44
9	Trabajo con la herramienta eléctrica.....	47
10	Mantenimiento y limpieza.....	49
11	Accesorios.....	50
12	Medio ambiente.....	52
13	Observaciones generales.....	52

1 Sobre este manual

Guarde estas instrucciones

Es importante que usted lea y entienda este manual. La información que contiene se relaciona con la protección de **su seguridad y la prevención de problemas**. Los símbolos que siguen se utilizan para ayudarlo a reconocer esta información.



PELIGRO

Descripción de peligro inminente y fracaso para evitar riesgos que podran causar la muerte.



ADVERTENCIA

Descripción de peligro y posibles lesiones resultantes o la muerte.



PRECAUCIÓN

Descripción de peligro y posibles lesiones resultantes.

AVISO

Descripción de los posibles daños en el dispositivo o en su entorno.

2 Símbolos



Aviso de peligro general



Peligro de electrocución



¡Leer el manual de instrucciones y las indicaciones de seguridad!



Usar protección para los oídos



Utilizar guantes de protección al cambiar de herramienta y al trabajar con materiales ásperos.



Utilizar protección respiratoria.



Utilizar gafas de protección



Desenchufar



Desconexión del cable de conexión a red



Conexión del cable de conexión a la red eléctrica



Sentido de giro de la sierra y de la hoja de sierra



La herramienta cuenta con un chip para el almacenamiento de datos. Ver apartado 13.1



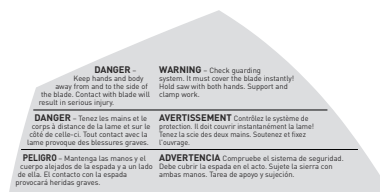
Guía de procedimiento



Consejo, indicación



Clase de protección II



PELIGRO Mantenga las manos y el cuerpo alejados de la espada y a un lado de ella. El contacto con la espada provocará heridas graves.

ADVERTENCIA Compruebe el sistema de seguridad. Debe cubrir la espada en el acto. Sujete la sierra con ambas manos. Tarea de apoyo y sujeción.

W vatios

V voltios

A amperios

Hz hertzios

~

a.c. tensión alterna

—

d.c. tensión continua

n_0 revoluciones por minuto en vacío

rpm revoluciones por minuto

min^{-1}

" pulgada

lb. libras

∅ diámetro

3 Indicaciones de seguridad

3.1 Indicaciones de seguridad generales para herramientas eléctricas



¡ADVERTENCIA! Leer todas las indicaciones de seguridad, instrucciones, ilustraciones y datos técnicos que acompañan a esta herramienta eléctrica. Si no se cumplen debidamente las instrucciones siguientes, puede producirse una descarga eléctrica, quemaduras o lesiones graves.

Guarde todas las indicaciones de seguridad e instrucciones para que sirvan de futura referencia.

El término «herramienta eléctrica» empleado en las indicaciones de seguridad hace referencia a herramientas eléctricas conectadas a la red eléctrica (con un cable de red) o a herramientas eléctricas alimentadas con batería (sin cable de red).

1 SEGURIDAD EN EL LUGAR DE TRABAJO

- Mantenga su zona de trabajo limpia y bien iluminada.** El desorden o la falta de iluminación en las zonas de trabajo pueden dar lugar a accidentes.
- No trabaje con la herramienta eléctrica en entornos potencialmente explosivos donde se encuentren líquidos, gases o polvos inflamables.** Las herramientas eléctricas producen chispas que pueden inflamar el polvo o los vapores.
- Mantenga a niños y adultos alejados de la herramienta eléctrica durante el uso.** Si se distrae, puede perder el control de la herramienta eléctrica.

2 SEGURIDAD ELÉCTRICA

- El conector de la herramienta eléctrica debe encajar en el enchufe. El conector no debe modificarse en modo alguno. No utilice conectores adaptadores con herramientas eléctricas con puesta a tierra.** Unos conectores intactos y unos enchufes adecuados reducen el riesgo de descarga eléctrica.
- Evite el contacto físico con superficies con puesta a tierra como las de tuberías, calefacciones, cocinas y frigoríficos.** Existe un riesgo elevado de descarga eléctrica si su cuerpo está en contacto con la tierra.

- Mantenga las herramientas eléctricas lejos de la lluvia y la humedad.** La penetración de agua en una herramienta eléctrica aumenta el riesgo de descarga eléctrica.
- No utilice el cable de conexión para transportar o colgar la herramienta eléctrica ni para extraer el conector del enchufe. Mantenga el cable de conexión alejado del calor, aceite, cantos afilados o piezas en movimiento.** Los cables de conexión dañados o enredados aumentan el riesgo de descarga eléctrica.
- Si trabaja con una herramienta eléctrica al aire libre, utilice únicamente alargadores aptos para el uso en exteriores.** El empleo de alargadores aptos para el uso en exteriores reduce el riesgo de descarga eléctrica.
- Cuando sea inevitable el uso de la herramienta eléctrica en un entorno húmedo, utilice un interruptor diferencial.** El uso de un interruptor diferencial reduce el riesgo de que se produzca una descarga eléctrica.

3 SEGURIDAD DE LAS PERSONAS

- Sea cuidadoso, preste atención a lo que está haciendo y actúe con prudencia al trabajar con herramientas eléctricas. No utilice ninguna herramienta eléctrica si está cansado o bajo los efectos de drogas, alcohol o medicamentos.** Una mínima distracción mientras está utilizando la herramienta eléctrica puede ocasionarle graves lesiones.
- Lleve puesto el equipo de protección individual y utilice gafas de protección en todo momento.** El empleo del equipamiento de protección personal como p. ej. mascarilla, guantes de seguridad antideslizantes, casco o protección de oídos, según el tipo y la aplicación de la herramienta eléctrica, reduce el riesgo de lesiones.
- Evite un arranque accidental de la herramienta. Asegúrese de que está desconectada antes de conectarla al suministro de corriente o la batería, recogerla o transportarla.** Existe peligro de accidente si transporta la herramienta eléctrica con el dedo sobre el interruptor o si conecta la herramienta eléctrica a la red estando encendida.
- Retire las herramientas de ajuste y las llaves de tornillos antes de conectar la herramienta eléctrica.** Si una herramienta o llave se encuentra en una pieza en movi-

- miento de la herramienta eléctrica, pueden producirse lesiones.
- e. **Evite una postura anormal del cuerpo. Procure un apoyo seguro y mantenga el equilibrio en todo momento.** De esta manera podrá controlar mejor la herramienta eléctrica en situaciones inesperadas.
 - f. **Utilice ropa adecuada. No utilice ropa ancha ni objetos de joyería o bisutería. Mantenga el pelo y la ropa alejados de las piezas en movimiento.** La ropa holgada, las joyas o el pelo largo pueden quedar atrapados por piezas en movimiento.
 - g. **Si se montan dispositivos de aspiración o recogida de polvo, estos deberán conectarse y utilizarse correctamente.** El empleo de un sistema de aspiración del polvo puede disminuir los peligros a causa del polvo.
 - h. **No se cree un falso sentido de la seguridad ni ignore las normas de seguridad de las herramientas eléctricas, ni siquiera si está muy familiarizado con el uso de la herramienta.** Una distracción durante el manejo puede derivar en graves lesiones en cuestión de pocas fracciones de segundo.
- e. **Trate las herramientas eléctricas y las herramientas intercambiables con cuidado. Compruebe si las partes móviles funcionan correctamente y no se atascan, y si hay piezas rotas o tan deterioradas que podrían mermar el funcionamiento de la herramienta eléctrica. Haga reparar las piezas deterioradas antes de usar la herramienta eléctrica.** Muchos accidentes tienen su origen en un mantenimiento deficiente de las herramientas eléctricas.
 - f. **Mantenga las herramientas cortantes limpias y afiladas.** Las herramientas cortantes bien cuidadas con aristas de corte afiladas se atascan menos y se guían más fácilmente.
 - g. **Utilice la herramienta eléctrica, las herramientas intercambiables, etc., de acuerdo con estas instrucciones. Para ello, tenga en cuenta las condiciones de trabajo y la actividad que debe realizar.** El uso de herramientas eléctricas en aplicaciones diferentes a las previstas puede dar lugar a situaciones peligrosas.
 - h. **Mantenga las superficies de agarre y los mangos secos, limpios y libres de aceite y grasa.** Un mango o unas superficies de agarre resbaladizos no permiten un manejo y control seguros de la herramienta eléctrica en situaciones imprevistas.

4 USO Y MANEJO DE LA HERRAMIENTA ELÉCTRICA


- a. **No sobrecargue la herramienta eléctrica. Utilice la herramienta eléctrica adecuada para el trabajo que va a realizar.** Con la herramienta apropiada trabajará mejor y más seguro en el rango de potencia especificado.
- b. **No utilice ninguna herramienta eléctrica cuyo interruptor esté defectuoso.** Una herramienta eléctrica que no se pueda conectar o desconectar resulta peligrosa y es necesario repararla.
- c. **Extraiga el conector del enchufe o retire la batería extraíble antes de efectuar los ajustes de la herramienta, cambiar piezas o guardar la herramienta eléctrica.** Esta medida de seguridad impide el arranque accidental de la herramienta eléctrica.
- d. **Mantenga las herramientas eléctricas que no esté utilizando fuera del alcance de los niños. No permita que la herramienta eléctrica sea utilizada por personas que no estén familiarizadas con ella o no hayan leído las presentes indicaciones.** Las herramientas eléctricas en manos inexpertas pueden ser peligrosas.

5 SERVICIO

- a. **Encargue la reparación de su herramienta eléctrica únicamente a personal técnico cualificado y solo con piezas de recambio originales.** De esta forma queda garantizada la seguridad de la herramienta eléctrica.
- b. **Utilice exclusivamente piezas originales para la reparación y el mantenimiento de la herramienta.** El uso de accesorios o piezas de recambio no previstos puede producir descargas eléctricas o lesiones.

3.2 Indicaciones de seguridad específicas para sierras circulares

Procedimiento de corte

-  **¡PELIGRO!** No introduzca las manos en la zona de serrado ni las acerque a la hoja de sierra. Sujete el mango adicional o la carcasa del motor con la mano que queda libre. Si se sujeta la sierra circular con ambas manos, la hoja de sierra no podrá dañarla.

- **No agarre la pieza de trabajo por debajo.** La caperuza de protección no puede protegerle de la hoja de sierra por debajo de la pieza de trabajo.
- **Ajuste la profundidad de corte según el grosor de la pieza de trabajo.** Por debajo de la pieza de trabajo debe quedar a la vista menos que una altura completa de diente.
- **Nunca sujete la pieza de trabajo que va a serrar con la mano o sobre la pierna. Fije la pieza de trabajo en un alojamiento estable.** Es muy importante fijar correctamente la pieza de trabajo para minimizar los riesgos de contacto con el cuerpo, los atascos de la hoja de sierra o la pérdida de control.
- **Al realizar trabajos en los que la herramienta pudiera entrar en contacto con cables eléctricos ocultos o con el propio cable de conexión, sujete la herramienta eléctrica por las superficies de agarre aisladas.** El contacto con una línea electrificada hace que las piezas metálicas de la herramienta eléctrica se vean sometidas a tensión y que se produzca una descarga eléctrica.
- **Utilice siempre un tope o una guía de canto recta cuando realice cortes longitudinales.** Esto mejora la precisión del corte y reduce las posibilidades de que la hoja de sierra se atasque.
- **Utilice siempre hojas de sierra con el debido tamaño y con un taladro de alojamiento adecuado (p. ej. romboidal o redondo).** Las hojas de sierra no compatibles con las piezas de montaje de la sierra tienen una marcha descentrada y causan pérdida de control.
- **Nunca utilice bridas tensoras o tornillos de hojas de sierra dañados o incorrectos.** Las bridas tensoras y los tornillos de hojas de sierra han sido fabricados especialmente para su sierra con el propósito de obtener un rendimiento y una seguridad de servicio óptimos.

Contragolpe: causas e indicaciones de seguridad al respecto

- Un contragolpe es una reacción inesperada de una hoja de sierra que se engancha, se bloquea o se ha alineado incorrectamente, lo cual puede producir que la sierra se salga de la pieza de trabajo de manera descontrolada y se desvíe hacia el operario;
- la hoja de sierra se bloquea al engancharse o atascarse en la ranura de serrado que se va estrechando y la fuerza del motor sacu-

de la máquina hacia atrás en dirección al operario;

- si la hoja de sierra se tuerce o se alinea incorrectamente, los dientes de la parte posterior de la hoja de la sierra pueden engancharse en la superficie de la pieza de trabajo, de manera que la hoja de sierra sale de la ranura y salta hacia atrás en dirección al operario.

El contragolpe es la consecuencia de un uso incorrecto o inapropiado de la sierra. Puede evitarse si se siguen unas medidas de precaución adecuadas como las que se describen a continuación.

- **Sujete la sierra con ambas manos y coloque los brazos de tal modo que le permitan hacer frente a la fuerza de un posible contragolpe. Colóquese siempre en un lateral de la hoja de sierra, no la sitúe en línea con su cuerpo.** En caso de contragolpe la sierra circular puede saltar hacia atrás; sin embargo, el operario puede controlar la fuerza del contragolpe si aplica unas medidas adecuadas.
- **Si la hoja de sierra se engancha o desea interrumpir el trabajo, suelte el interruptor de conexión y desconexión y sujete la sierra dentro del material tranquilamente hasta que la hoja de sierra se detenga completamente. No intente retirar la sierra de la pieza de trabajo o tirar de la sierra hacia atrás mientras la hoja de sierra se esté moviendo, pues podría producirse un contragolpe.** Averigüe y subsane el motivo por el que la hoja de sierra se ha enganchado.
- **Cuando desee reanudar el trabajo con una sierra que se encuentre dentro de una pieza de trabajo, centre la hoja de sierra en la ranura de serrado y compruebe que los dientes de la sierra no se hayan enganchado en la pieza de trabajo.** Si la hoja de sierra se hubiera enganchado, puede salirse de la pieza de trabajo u ocasionar un contragolpe al volver a arrancarla.
- **Cuando trabaje con paneles grandes, apúntelos para reducir el riesgo de que se produzca un contragolpe por el enganche de una hoja de sierra.** Los paneles grandes pueden combarse por su propio peso. Los paneles deben apuntarse por ambos lados, tanto cerca de la ranura de serrado como en el canto.
- **No utilice hojas de sierra romas o dañadas.** Las hojas de sierra con dientes romos

o mal alineados producen, a causa de una ranura de serrado demasiado estrecha, un rozamiento mayor, el bloqueo de la hoja de sierra y contragolpes.

- **Antes de comenzar a serrar, fije los ajustes de profundidad y los ángulos de corte.** Si durante las tareas de serrado se modifican los ajustes, la hoja de sierra puede bloquearse y podría causar un contragolpe.
- **Tenga especial precaución al realizar cortes de incisión en muros o en otras zonas que no pueda examinar.** La hoja de sierra que realiza la incisión puede bloquearse al serrar objetos ocultos y causar un contragolpe.

Función de la caperuza de protección

- **Antes de cada uso compruebe que la caperuza de protección se cierra correctamente. No utilice la sierra si la caperuza de protección no ofrece movilidad y no se cierra de inmediato. No bloquee ni inmovilice la caperuza de protección; de lo contrario, la hoja de sierra quedaría desprotegida.** Si la sierra cae al suelo por accidente, la caperuza de protección puede deformarse. Asegúrese de que la caperuza se mueve sin dificultad y que no entra en contacto con la hoja de sierra ni con otras piezas en ningún ángulo o profundidad de corte.
- **Compruebe el estado y el funcionamiento del resorte de la caperuza de protección. No utilice la herramienta si la caperuza de protección y el resorte no funcionan correctamente.** Las piezas dañadas, los residuos pegajosos o la acumulación de virutas hacen que la caperuza de protección funcione de forma retardada.
- **Al realizar un corte de incisión no rectangular, asegure la placa base de la sierra para evitar que se produzcan desplazamientos laterales.** Un desplazamiento lateral podría bloquear la hoja de sierra, lo que causaría un contragolpe.
- **No coloque la sierra en la mesa de trabajo o en el suelo sin haber comprobado que la caperuza de protección cubre la hoja de sierra.** Una hoja de sierra sin protección que marcha por inercia mueve la sierra en sentido contrario al corte y sierra todo lo que está en su camino. Tener en cuenta el tiempo de marcha por inercia de la sierra.

Funcionamiento de la cuña de partir [5-4]

- **Utilice la hoja de sierra apropiada para la cuña de partir.** Para que la cuña de partir

cumpla su función, el disco de soporte de la hoja de sierra debe ser más fino que la cuña de partir y el ancho del dentado debe ser mayor que el grosor de la cuña de partir.

- **No poner la sierra en funcionamiento con la cuña de partir torcida.** Incluso una avería sin importancia podría ralentizar el cierre de la caperuza de protección.

3.3 Indicaciones de seguridad para la hoja de sierra premontada

Utilización

- No debe excederse del n.º de revoluciones máximo indicado en la hoja de sierra; debe respetarse el intervalo de revoluciones.
- La hoja de sierra premontada está concebida para utilizar exclusivamente en sierras circulares.
- Las tareas de embalaje, desembalaje y manipulación de la herramienta (p. ej. montaje en la máquina) deben realizarse con sumo cuidado. Existe peligro de lesión por la presencia de aristas de corte muy afiladas.
- El uso de guantes de protección al manejar la herramienta incrementa la seguridad de agarre y reduce aun más el riesgo de sufrir lesiones.
- Las hojas de sierra circulares que presenten grietas deben cambiarse de inmediato. Queda prohibida la reparación.
- No pueden seguir utilizándose hojas de sierra en versión compuesta (dientes de sierra soldados) con grosores de diente inferiores a 1 mm.
- No deben utilizarse herramientas con grietas visibles, con aristas de corte romas o dañadas.

Montaje y fijación

- Las herramientas deben sujetarse de manera que no se suelten durante el funcionamiento.
- Durante el montaje de las herramientas, es preciso asegurarse de que la sujeción se realiza en el buje de la herramienta o en la superficie de sujeción de la herramienta, y de que las cuchillas no entran en contacto entre sí ni con los elementos de sujeción.
- No está permitido alargar la llave ni apretar los tornillos dando golpes con un martillo.
- Debe limpiarse la suciedad, la grasa, el aceite y el agua de las superficies de sujeción.

- Los tornillos de sujeción deben apretarse observando las instrucciones del fabricante.
- Para ajustar el diámetro de orificio de las hojas de sierra al diámetro del husillo de la máquina solo pueden utilizarse anillos fijos, p. ej., anillos engastados o fijados mediante unión adhesiva. No está permitido utilizar anillos sueltos.

Mantenimiento y cuidado

- Las reparaciones y los trabajos de lijado deben quedar estrictamente reservados a talleres del servicio posventa o a expertos.
- No debe modificarse la construcción de la herramienta.
- Eliminar la resina y limpiar periódicamente la herramienta (producto de limpieza con pH entre 4,5 y 8).
- Las aristas de corte romas pueden reafilarse en la superficie de sujeción hasta un grosor de filo mínimo de 1 mm.
- El transporte de la herramienta debe realizarse solo en un embalaje adecuado: ¡peligro de lesiones!

3.4 Otras indicaciones de seguridad



- **Es imprescindible utilizar los equipos de protección personal adecuados:** protección para los oídos, gafas de protección, mascarilla para los trabajos que generan polvo, guantes de protección al trabajar con materiales rugosos y para cambiar de útil.
- **Al trabajar puede generarse polvo perjudicial/tóxico (p. ej. pintura de plomo, algunos tipos de madera y metal).** El contacto o la inhalación de este polvo pueden suponer una amenaza para la persona que realiza el trabajo o para aquellas que se encuentren cerca. Observe las normativas de seguridad vigentes en su país.



- Por el bien de su salud, utilice una mascarilla de protección respiratoria con filtro P2. En espacios cerrados procure una ventilación suficiente y conecte un sistema móvil de aspiración.
- **Esta herramienta eléctrica no se debe montar en una mesa de trabajo.** El montaje en mesas de trabajo de otros fabricantes o de fabricación propia puede mermar la seguridad de la herramienta eléctrica y provocar accidentes graves.

- Compruebe si los componentes de la carcasa presentan daños como fisuras o marcas blancas por esfuerzo. Haga reparar las piezas deterioradas antes de usar la herramienta eléctrica.
- **Utilice aparatos de exploración adecuados para detectar tuberías de abastecimiento ocultas o consulte a la compañía local de abastecimiento de energía.** El contacto de la herramienta con cables eléctricos puede provocar fuego y descargas eléctricas. Si se daña una tubería de gas, puede provocar una explosión. La penetración en una tubería de agua ocasiona daños materiales.

3.5 Trabajos con aluminio

Al trabajar con aluminio deberá tener presente las siguientes medidas por motivos de seguridad:

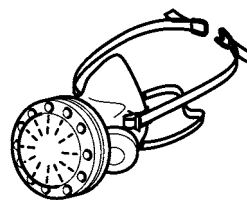
- Utilizar una hoja de sierra para aluminio.
- Cierre la mirilla/la protección contra el vuelo de virutas.
- Preconectar un interruptor diferencial (FI, PRCD).
- Al serrar placas hay que lubricar con parafina; los perfiles de capa delgada (hasta 1/8" (3 mm)) pueden trabajarse sin lubricación.

3.6 Riesgos para la salud producidos por el polvo



ADVERTENCIA! algunos polvos creados por lijadoras motorizadas, aserraderos, trituradores, perforadoras y otras actividades de construcción contienen sustancias químicas que se sabe (en el Estado de California) causan cáncer, defectos de nacimiento u otros daños al sistema reproductivo. Algunos ejemplos de estas sustancias químicas son:

- Plomo de las pinturas con base de plomo
- Sílice cristalino de los ladrillos y cemento y otros productos de mampostería, y
- Arsénico y cromo de madera tratada con sustancias químicas



El riesgo de exposición a estas sustancias varía, dependiendo de cuantas veces se hace este tipo de trabajo. Para reducir el contacto con estas sustancias químicas: trabaje en un área con buena ventilación y trabaje con equipo de seguridad aprobado, como mascarillas para el polvo diseñadas específicamente para filtrar partículas microscópicas.

**ADVERTENCIA**

PARA REDUCIR EL RIESGO DE LESIÓN, EL USUARIO DEBE LEER EL MANUAL DE INSTRUCCIÓN.

4 Uso conforme a lo previsto

Las sierras de incisión están diseñadas para serrar madera, materiales con características similares a la madera, materiales fibrosos de yeso o cemento aglomerado, así como plásticos.

Las máquinas equipadas con hojas de sierra especiales de Festool también pueden usarse para serrar metales ferrosos sin templar y metales no ferrosos.

La máquina NO debe emplearse para tratar materiales que contengan amianto.

No utilizar discos de tronzar y lijar.

Esta herramienta eléctrica solo debe ser utilizada por personal especializado o por personas que hayan recibido la formación adecuada.



El usuario será responsable de cualquier utilización indebida.

4.1 Hojas de sierra

Solo deben utilizarse hojas de sierra con los siguientes datos:

- Hojas de sierra según EN 847-1
- Diámetro de la hoja de sierra 6-1/4" (160 mm)
- Anchura de corte 1/16" (1.8 mm)
- Taladro de alojamiento 3/4" (20 mm)
- Grosor del disco de soporte 3/64" - 1/16" (1.1 - 1.4 mm)
- Apta para n.º de revoluciones de hasta 9500 min⁻¹

Las hojas de sierra Festool cumplen con lo indicado en la norma EN 847-1.

Serrar únicamente materiales adecuados para la hoja de sierra en cuestión.

5 Datos técnicos

Sierra de incisión	TS 55 FEQ
Potencia	12 A
Número de revoluciones (marcha en vacío)	2000 - 5800 min ⁻¹
Inclinación	De -1° a 47°
Profundidad de corte a 0°	0 - 2-1/8" (0-55 mm)

Sierra de incisión	TS 55 FEQ
Profundidad de corte a 45°	0 - 1-11/16" (0-43 mm)
Medidas de la hoja de sierra	6-1/4 x 1/16 x 3/4" (160 x 1.8 x 20 mm)
Peso conforme al procedimiento EPTA 01:2014 (sin cable de red)	9.9 lbs (4.5 kg)

6 Componentes

- [1-1]** Mordazas de ajuste
- [1-2]** Escala de ángulo
- [1-3]** Botones giratorios para el ajuste de ángulo
- [1-4]** Empuñaduras
- [1-5]** Palanca para cambio de herramienta
- [1-6]** Bloqueo de conexión
- [1-7]** Interruptor de conexión y desconexión
- [1-8]** Racor de aspiración
- [1-9]** Desbloques para destalonado de -1° a 47°
- [1-10]** Regulación del número de revoluciones
- [1-11]** Cable de conexión a la red
- [1-12]** Escala dividida en dos para el tope de profundidad de corte (con/sin riel de guía)
- [1-13]** Tornillo de ajuste de profundidad de corte para hojas de sierra rectificadas
- [1-14]** Tope de profundidad de corte
- [1-15]** Indicador de corte
- [1-16]** Mirilla / protección contra el vuelo de virutas
- [1-17]** Protección anti-astillas
- [1-18]** Tapa de protección

Las imágenes con la dotación de suministro se encuentran en una hoja desplegable al comienzo de este manual de instrucciones. Cuando lea este manual, le recomendamos que despliegue esta página para disponer fácilmente de una vista general de la máquina.

Los accesorios representados o descritos no forman parte íntegra de la dotación de suministro.

7 Puesta en servicio



ADVERTENCIA

Tensión o frecuencia no permitida

Peligro de accidente

- La tensión de red y la frecuencia de la red eléctrica deben coincidir con los datos que figuran en la placa de tipo.
- En Norteamérica solo pueden utilizarse las máquinas Festool con una tensión de 120 V/60 Hz.



PRECAUCIÓN

Calentamiento de la conexión plug-it porque el cierre de bayoneta no está completamente bloqueado

Peligro de quemaduras

- Antes de conectar la herramienta eléctrica, asegúrese de que el cierre de bayoneta del cable de conexión a la red eléctrica esté completamente cerrado y bloqueado.



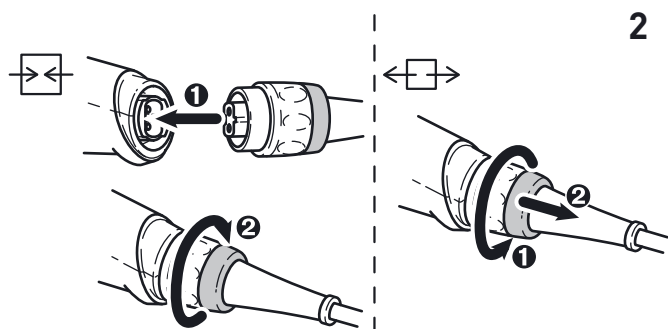
Apagar siempre la máquina antes de conectar y desconectar el cable de conexión a la red eléctrica.

Conexión y desconexión del cable de conexión a la red **[1-11]**, véase la imagen **2**.



Cierre el bloqueo de conexión **[1-6]** hacia arriba y pulse el interruptor de conexión y desconexión **[1-7]** (pulsar = conectado; soltar = desconectado).

El accionamiento del bloqueo de conexión desbloquea el dispositivo de incisión. El grupo de la sierra se puede mover hacia abajo. La hoja de sierra sale de la caperuza de protección.



7.1 Cable de prolongación

Si se necesita un cable de prolongación, este debe tener una sección transversal suficiente para evitar una caída excesiva de voltaje o un

sobrecalentamiento. Una caída excesiva de voltaje reduce la potencia y puede ocasionar un fallo del motor. La siguiente tabla muestra el diámetro correcto del cable para esta herramienta en función de su longitud.

Dimensiones del cable en AWG

Amperaje de la herramienta	Longitud del cable en pies			
	25	50	100	150
3-6	18	16	16	14
6-8	18	16	14	12
8-10	18	16	14	12
10-12	16	16	14	12
12-16	14	12	-	-

Dimensiones del cable en mm²

Amperaje de la herramienta	Longitud del cable en metros			
	15	30	60	120
3-6	0,75	0,75	1,5	2,5
6-8	0,75	1,0	2,5	4,0
8-10	0,75	1,0	2,5	4,0
10-12	1,0	2,5	4,0	-
12-16	-	-	-	-

Usar solo cables de prolongación contemplados por el estándar NRTL.

No utilizar nunca dos cables de prolongación juntos. Utilizar uno largo en su lugar.

- ⓘ Cuanto más bajo sea el número AWG, más fuerte será el cable.

8 Ajustes



ADVERTENCIA

Peligro de lesiones y electrocución

- Desconectar el enchufe de la red antes de realizar cualquier trabajo en la máquina.

8.1 Sistema electrónico

Las herramientas TS 55 FEQ cuentan con un sistema electrónico de onda completa con las siguientes características:

Arranque suave

El arranque suave regulado electrónicamente garantiza un arranque sin sacudidas de la herramienta eléctrica.

Número de revoluciones constante

El número de revoluciones del motor se mantiene constante gracias a un sistema electrónico. De este modo se consigue también una velocidad de corte estable bajo carga.

Regulación del número de revoluciones

El número de revoluciones puede ajustarse con la rueda de ajuste **[1-10]** de modo continuo dentro de la gama de revoluciones (véanse los Datos técnicos). De esta forma, puede adaptar la velocidad de corte de forma óptima a cada superficie.

Velocidad en función del material

Madera maciza (dura, blanda)	6
Placas de viruta y de fibra dura	3 - 6
Madera laminada, tableros de ebanistería, placas enchapadas y revestidas	6
Laminado, materiales minerales	4 - 6
Planchas de madera aglomerada y de fibras aglutinadas con cemento y yeso	1 - 3
Placas y perfiles de aluminio de hasta 15 mm	4 - 6
Plásticos, plásticos reforzados con fibra de vidrio (GfK), papel y tejidos	3 - 5
Vidrio acrílico	4 - 5

Limitación de corriente

La limitación de corriente evita un consumo de corriente excesivo en caso de sobrecarga extrema. Esto puede causar una reducción de la velocidad del motor. Tras aliviarse la carga, el motor vuelve a ponerse en marcha inmediatamente.



Protector contra sobretensión

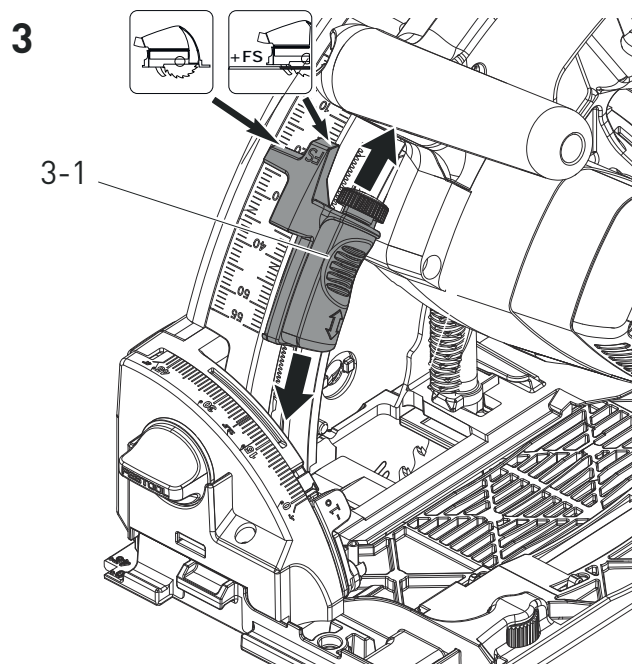
Si el motor alcanza una temperatura excesiva, se reducen la alimentación de corriente y el número de revoluciones. La herramienta eléctrica seguirá funcionando a potencia reducida para permitir que el motor se enfríe rápidamente mediante el sistema de ventilación. Una vez enfriada, la herramienta eléctrica arranca automáticamente.

8.2 Ajustar la profundidad de corte

La profundidad de corte puede ajustarse entre 0 - 2-1/8" (0 - 55 mm) en el tope de profundidad de corte **[3-1]**.

El grupo de la sierra puede ahora presionarse hacia abajo hasta la profundidad de corte ajustada.


-  Profundidad de corte sin riel de guía máx. 2 - 1/8" (55 mm)
-  Profundidad de corte con riel de guía FS máx. 1 - 15/16" (51 mm)




8.3 Ajuste de ángulo de corte

entre 0° y 45°:

- ▶ Abra los botones giratorios **[4-1]**.
- ▶ Incline el grupo de la sierra hasta el ángulo de corte deseado **[4-2]**.
- ▶ Cierre los botones giratorios **[4-1]**.

 Las dos posiciones (0° y 45°) vienen ajustadas de fábrica y pueden ser reajustadas por el servicio de atención al cliente.

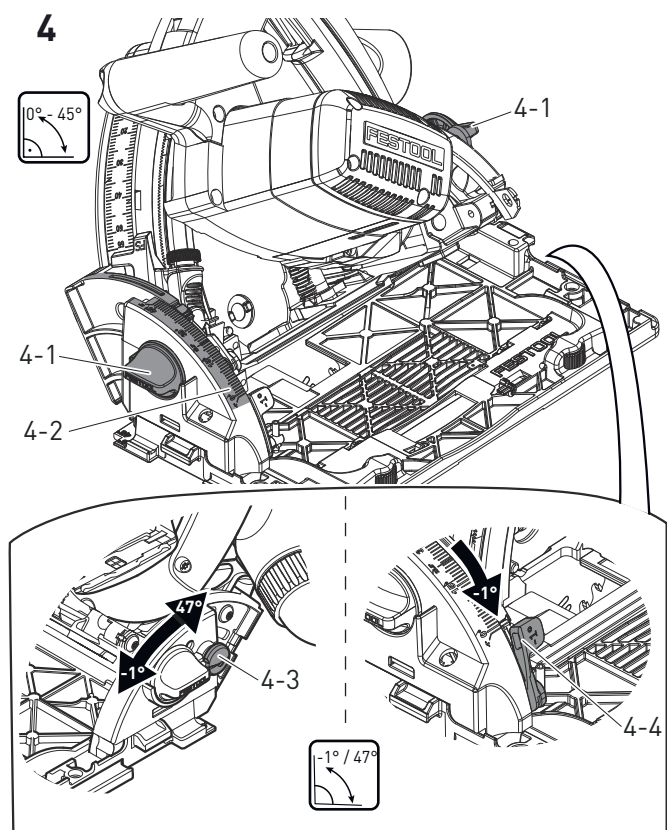
 En los cortes angulares, sitúe la mirilla/la protección antiastillas en la posición superior.

En destalonado -1° y 47°:

- ▶ Incline el grupo de la sierra hasta la posición final (0°/45°) como se describe arriba.
- ▶ Tire del desbloqueo **[4-3]** ligeramente hacia fuera.
- ▶ Para el destalonado de -1° saque el desbloqueo **[4-4]**.

El grupo de la sierra cae a la posición -1°/47°.

- ▶ Cierre los botones giratorios **[4-1]**.



8.4 Selección de la hoja de sierra

Las hojas de sierra Festool están identificadas con un anillo en color. El color del anillo indica el material para el que es apta la hoja de sierra. Observe los datos necesarios sobre la hoja de sierra (véase el capítulo 4.1).

Color	Material	Símbolo
Amarillo	Madera	
Rojo	Laminado, material mineral	
Verde	Planchas de madera aglomerada y de fibras aglutinadas con cemento y yeso	
Azul	Aluminio, plástico	

8.5 Cambio de la hoja de sierra



ADVERTENCIA

Peligro de lesiones y electrocución

- Desconectar el enchufe de la red antes de realizar cualquier trabajo en la máquina.



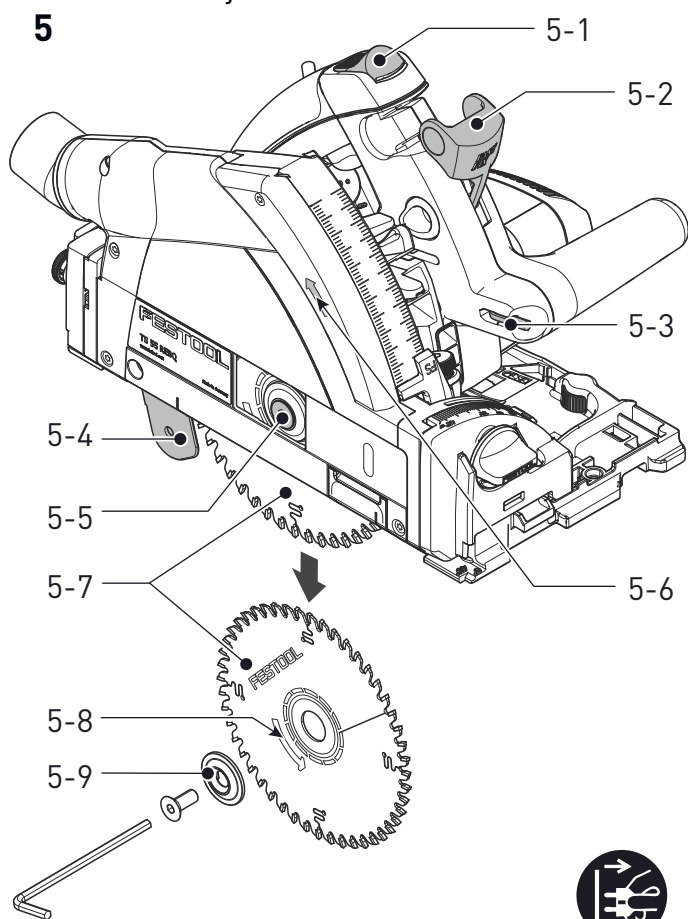
PRECAUCIÓN

Riesgo de lesiones con herramientas calientes y afiladas

- No utilizar herramientas romas o defectuosas.
- Usar guantes de protección al manejar la herramienta.

Retirar la hoja de sierra

- Antes de cambiar la hoja de sierra, incline la máquina a la posición de 0° y ajuste la profundidad de corte máxima.
- Mueva la palanca hasta el tope [5-2].
- Levante el bloqueo de conexión [5-1] y presione el grupo de la sierra hacia abajo hasta que se encastre.
- Afloje el tornillo [5-5] con la llave de macho hexagonal [5-3].
- Retire la hoja de sierra [5-7].



Montaje de la hoja de sierra

ADVERTENCIA. Comprobar si los tornillos y la brida están sucios y utilizar únicamente piezas limpias y que no presenten daños.

- Colocar la hoja de sierra nueva.

ADVERTENCIA. Los sentidos de giro de la hoja de sierra [5-8] y de la sierra [5-6] deben coincidir. Si no se sigue esta indicación, se pueden producir lesiones graves.

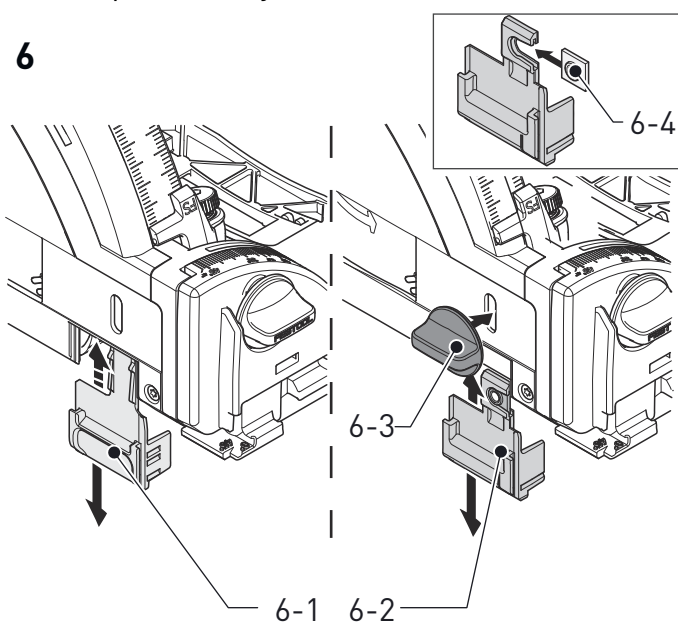
- ▶ Colocar la brida exterior [5-9] de manera que el taco de arrastre encaje en la entalladura de la brida interior.
- ▶ Apretar el tornillo [5-5].
- ▶ Hacer retroceder la palanca [5-2].

8.6 Montaje de la mirilla/protección anti-astillas

La **mirilla** (transparente) [6-1] permite observar la hoja de sierra y optimiza la aspiración del polvo.

La **protección antiastillas** (verde) [6-2] mejora considerablemente la calidad del canto de corte del lado superior de la pieza de trabajo en cortes de 0°.

- ▶ Coloque la protección antiastillas [6-2].
- ▶ Enrosque el botón giratorio [6-3] en la protección antiastillas a través del orificio alargado.
- ▶ Preste atención a que la tuerca [6-4] esté debidamente asentada en la protección antiastillas.
- ▶ **ATENCIÓN. Utilizar únicamente el botón giratorio que se suministra junto con la sierra de incisión.** El botón giratorio de otras sierras puede ser demasiado largo y bloquear la hoja de sierra.



Serrar la protección anti-astillas

Antes del primer uso es necesario serrar la protección anti-astillas:

- ▶ Ajuste la máquina a la profundidad de corte máxima.
- ▶ Ajuste la velocidad de la máquina al nivel 6.
- ▶ Coloque la máquina en un taco mártir para serrar la protección anti-astillas.

8.7 Aspiración



ADVERTENCIA

Peligro para la salud causado por el polvo

- ▶ Utilice siempre un aspirador.
- ▶ Utilice únicamente un aspirador diseñado para recoger el tipo de polvo y las partículas del material que se está cortando.
- ▶ Siga las normas OSHA y NFPA para garantizar un entorno de trabajo seguro.

Sistema móvil de aspiración de Festool

En el racor de aspiración se puede conectar un sistema móvil de aspiración de Festool con un tubo flexible con un diámetro de 1-1/16"/1-17/64" (27/32 mm) o de 1-7/16" (36 mm) (se recomienda 36 mm, ya que el riesgo de obstrucción es menor).

La pieza de conexión de un tubo flexible de aspiración de 1-1/16" (27 mm) de diámetro se introduce en el codo. La pieza de conexión de un tubo flexible de aspiración de 1-7/16" (36 mm) de diámetro se introduce en el codo.

ATENCIÓN. Si no se utiliza un tubo flexible de aspiración antiestático, puede cargarse de energía estática. El usuario puede sufrir una descarga eléctrica y la electrónica de la herramienta eléctrica puede resultar dañada.

9 Trabajo con la herramienta eléctrica



Durante el trabajo tenga en cuenta todas las indicaciones de seguridad especificadas al principio, así como las siguientes reglas:

Antes de comenzar

- Antes de cada uso, compruebe si la unidad de accionamiento y la hoja de sierra vuelven a girar a la posición de partida, hacia arriba sin problemas y completamente a la carcasa de protección. No utilice la sierra si la posición final superior no está garantizada. No bloquee ni fije la unidad de accionamiento giratoria en una profundidad de corte determinada. La hoja de sierra quedaría desprotegida.
- Antes de cada uso verifique el funcionamiento del dispositivo de incisión y utilice la máquina solo si este es correcto.
- Comprobar que la hoja de sierra esté bien sujeta.
- Antes de empezar a trabajar, cerciorarse de que el botón giratorio [1-3] esté firmemente enroscado.
- Asegurarse de que, durante el proceso de corte, el tubo flexible de aspiración y el ca-

ble de conexión a la red eléctrica no se enganchen en la pieza de trabajo ni en el soporte de la pieza de trabajo o en puntos peligrosos del suelo.

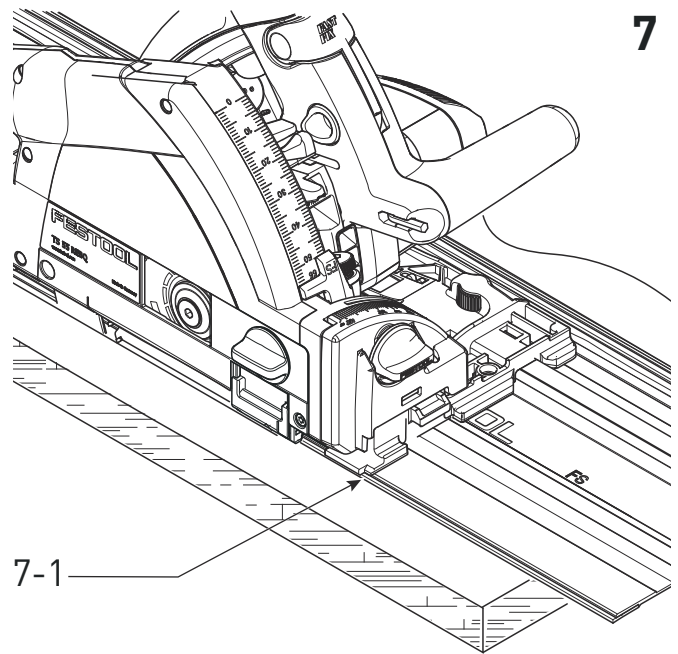
- Fije la pieza de trabajo siempre de forma que no se pueda mover cuando se trabaje con ella.
- Depositar la pieza de trabajo sin tensión y en posición plana.

Al trabajar

- Al trabajar con la herramienta eléctrica, sujétela **siempre con ambas manos** por las empuñaduras **[1-4]**. Es imprescindible para trabajar y realizar incisiones con precisión. Incida en la pieza de trabajo de forma lenta y uniforme.
- Dirija la herramienta eléctrica hacia la pieza de trabajo solo cuando esté conectada.
- Empuje la sierra siempre hacia delante **[8-1]**, **no tirar en ningún caso hacia atrás**.
- Adaptar la velocidad de avance para evitar que se sobrecalienten los fillos de la hoja de sierra o que se derrita el plástico al serrarlo. Cuanto más duro sea el material a serrar, menor debe ser la velocidad de avance.
- No trabaje con la máquina cuando la electrónica esté defectuosa, pues podrían producirse velocidades excesivas. Sabrá que el sistema electrónico está defectuoso cuando el arranque no sea suave o cuando no sea posible regular el número de revoluciones.
- No deposite la sierra en la mesa de trabajo o en el suelo sin que la hoja de sierra esté totalmente protegida por la caperuza de protección.

9.1 Serrado por línea de corte


El indicador de corte **[7-1]** muestra el trazado de corte en los cortes de 0° y 45° (sin riel de guía).



9.2 Serrar cortes

Coloque la máquina, con la parte delantera de la mesa de serrar, sobre la pieza de trabajo, conecte la máquina, presione hacia abajo hasta la profundidad de corte ajustada y avance en el sentido de corte.

9.3 Serrar segmentos (cortes de incisión)

 A fin de evitar contragolpes al efectuar cortes de incisión, deberán observarse obligatoriamente las siguientes indicaciones:

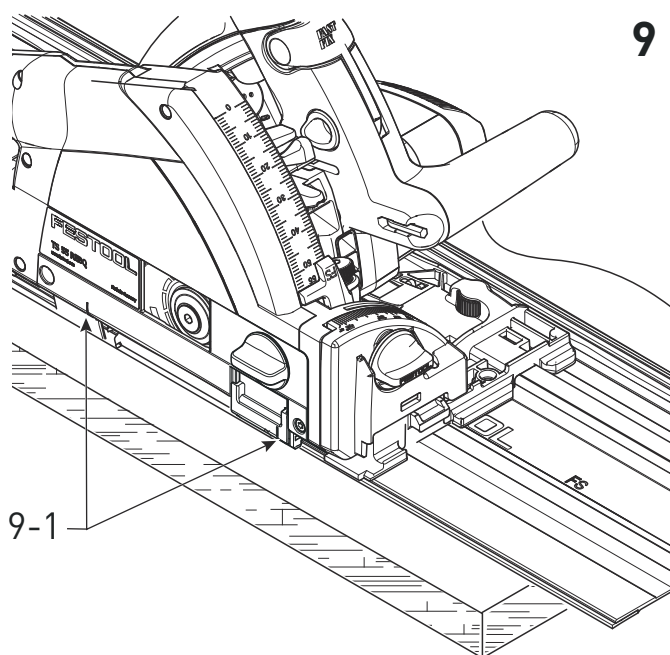
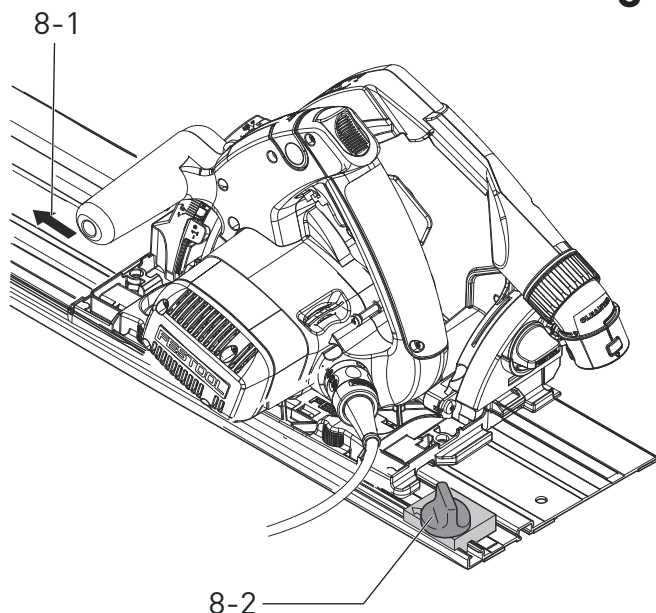
- Coloque la máquina siempre con el canto posterior de la mesa de serrar contra un tope fijo.
- Al trabajar con el riel de guía, apoye la máquina en la parada de contragolpe FS-RSP (accesorios) **[8-2]**, que a su vez va fijada al riel de guía.

Procedimiento

- ▶ Coloque la máquina sobre la pieza de trabajo y apóyela contra un tope (parada de contragolpe).
- ▶ Conecte la máquina.
- ▶ Presione la máquina lentamente hasta la profundidad de corte ajustada y muévala en el sentido del corte.

*Las marcas **[9-1]** muestran, a la profundidad de corte máxima y si se utiliza el riel de guía, el punto de corte más adelantado y el más atrasado de la hoja de sierra (Ø 6-1/4" (160 mm)).*

8 10 Mantenimiento y limpieza



9.4 Placas de fibras de yeso y aglomerado de cemento

Debido al gran volumen de polvo que se genera, se recomienda utilizar la protección ABSA-TS55 que se puede montar en el lateral de la caperuza de protección (accesorio) y un sistema móvil de aspiración Festool.



ADVERTENCIA

Cualquier trabajo de mantenimiento o reparación que requiera abrir el motor o la carcasa del engranaje deberá ser realizado únicamente por un Centro de Atención al Cliente (nombre proporcionado por su concesionario).

- Los trabajos de mantenimiento o reparación realizados por una persona no autorizada podrían provocar la conexión incorrecta de los conductores de alimentación u otros componentes, lo que a su vez podría provocar accidentes con consecuencias graves.



ADVERTENCIA

Para prevenir los accidentes, antes de realizar cualquier trabajo de mantenimiento o reparación en la máquina retire siempre el enchufe de la toma de corriente.

- No utilice aire a presión para limpiar las herramientas eléctricas. No intente limpiar las partes internas de la máquina de este modo, ya que podría permitir la entrada de objetos extraños a través de las aperturas de la carcasa de la máquina.



PRECAUCIÓN

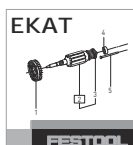
Algunos productos de limpieza y disolventes resultan perjudiciales para las piezas de plástico.

- Algunos de ellos incluyen, entre otros, gasolina, acetona, metiletilacetona (MEK) y oxiclorigenato de carbono. Los productos de limpieza normalmente contienen cloro y amoníaco y los productos de limpieza del hogar contienen amoníaco.



servicio

El servicio de atención al cliente y de reparaciones solo está disponible a través del fabricante o de los talleres de reparación. Dirección más cercana en: www.festool.es/servicio



Utilizar solo piezas de recambio Festool originales. Referencia en: www.festool.es/servicio

La máquina está equipada con escobillas especiales autodesconectables. Si las escobillas es-

tán desgastadas, se interrumpe automáticamente la corriente y la máquina se detiene.

Tener en cuenta las siguientes advertencias:

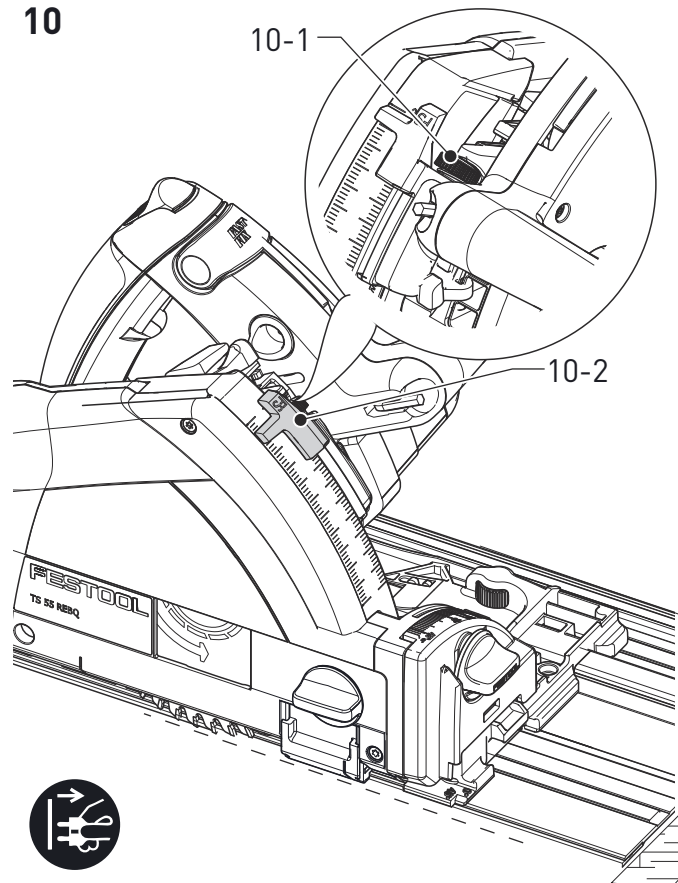
- ▶ Los dispositivos de protección y las piezas que presenten daños, p. ej una palanca para cambiar de herramienta **[1-5]**, deben ser reparados o sustituidos conforme a lo prescrito por un taller especializado autorizado, a menos que se especifique de otro modo en el manual de instrucciones.
- ▶ Compruebe el estado y el correcto funcionamiento del muelle recuperador que presiona toda la unidad de accionamiento a la posición final protegida superior.
- ▶ Con el fin de garantizar una correcta circulación del aire, las aberturas para el aire de refrigeración de la carcasa deben mantenerse despejadas y limpias.
- ▶ Aspirar en todos los orificios para limpiar las astillas y las virutas de la herramienta eléctrica. Nunca abra la tapa de protección **[1-18]**.
- ▶ Al trabajar con placas de fibras de yeso y aglomerado de cemento, limpiar la herramienta de forma minuciosa. Limpie los orificios de ventilación de la herramienta eléctrica y los del interruptor de conexión y desconexión con aire comprimido seco y sin aceite. De lo contrario podría sedimentarse polvo con yeso en la carcasa de la herramienta eléctrica y el interruptor de conexión y desconexión, y endurecerse tras entrar en contacto con la humedad ambiental. Esto podría conllevar problemas en el mecanismo de conmutación

10.1 Hojas de sierra rectificadas

El tornillo de ajuste **[10-1]** permite ajustar exactamente la profundidad de corte de las hojas de sierra rectificadas.

- ▶ Ajuste el tope de profundidad de corte **[10-2]** a 0 mm (con el riel de guía).
- ▶ Desbloquee el grupo de la sierra y presiónelo hacia abajo hasta el tope.
- ▶ Atornille el tornillo de ajuste **[10-1]** hasta que la hoja de sierra quede en contacto con la pieza de trabajo.

10



10.2 La mesa de serrar se tambalea

- ⓘ Al ajustar el ángulo de corte, la mesa de serrar debe estar colocada sobre una superficie plana.

Si la mesa de serrar se tambalea, se debe volver a ajustar (**capítulo 8.3**).

11 Accesorios

Utilizar únicamente accesorios y material de consumo autorizados por Festool. Consulte el catálogo de Festool o www.festoolusa.com.

La utilización de accesorios y material de consumo de otros fabricantes puede mermar la seguridad de la herramienta eléctrica y provocar accidentes graves.

Además de los accesorios descritos, Festool ofrece una amplia gama de accesorios de sistema que le permiten hacer un uso versátil y efectivo de la máquina, p.ej.:

- Tope paralelo, ampliación de mesa PA-TS 55
- Protección lateral, machihembrados ABSA-TS 55
- Parada de contragolpe FS-RSP
- Tope paralelo FS-PA y prolongación FS-PA-VL
- Mesa multifuncional MFT/3

11.1 Hojas de sierra y otros accesorios

Para cortar diversos materiales de forma rápida y limpia, Festool le ofrece hojas de sierra compatibles con su sierra Festool y adecuadas para cualquier aplicación.

11.2 Sistema de guía

El riel de guía permite realizar cortes precisos y limpios y, al mismo tiempo, protege la superficie de la pieza de trabajo de posibles daños. En combinación con el extenso conjunto de accesorios, con el sistema de guía es posible efectuar unos cortes angulares, a inglete y unos trabajos de adaptación con gran exactitud. La posibilidad de fijación mediante mordazas **[11-2]** garantiza una sujeción y un trabajo seguros.

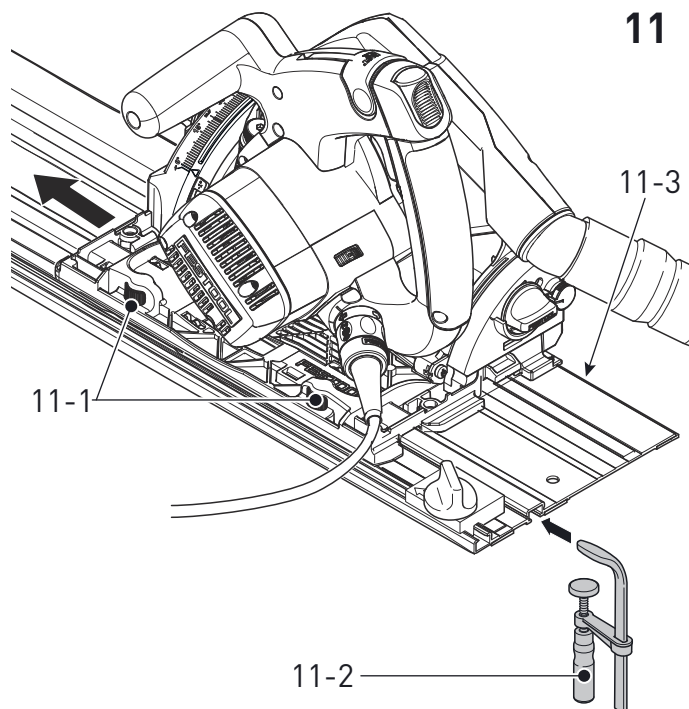
- ▶ Ajustar el juego de la guía de la mesa de serrar en el riel de guía con las dos mordazas de ajuste **[11-1]**.

Antes del primer uso del riel de guía, sierre la protección antiastillas **[11-3]**:

- ▶ Ajuste la velocidad de la máquina al nivel 6.
- ▶ Coloque la máquina con toda la placa guía en el extremo posterior del riel de guía.
- ▶ Conecte la máquina.
- ▶ Presione la máquina lentamente hacia abajo hasta la profundidad de corte máxima ajustada y sierre la protección antiastillas por toda la longitud sin levantarla.

El canto de la protección antiastillas se corresponde exactamente con el canto de corte.

- ❗ Coloque el riel de guía para serrar la protección anti-astillas en un taco mártir.



11.3 SYSTAINER

Systainer

Muchos de los productos Festool se entregan en un embalaje exclusivo denominado "Systainer" que sirve de protección a la herramienta y sus complementos, además de facilitar su almacenamiento. Los Systainer pueden apilarse y encajan unos con otros. Además se adaptan sin problema a cualquier aparato de aspiración CT de Festool.

Para abrir el Systainer



Gire el T-loc **[SYS-b-1]** a esta posición.

Para cerrar el Systainer



Gire el T-loc **[SYS-b-1]** a esta posición.

Para encajar dos Systainer

Ponga el Systainer sobre un otro **[SYS-a]**.

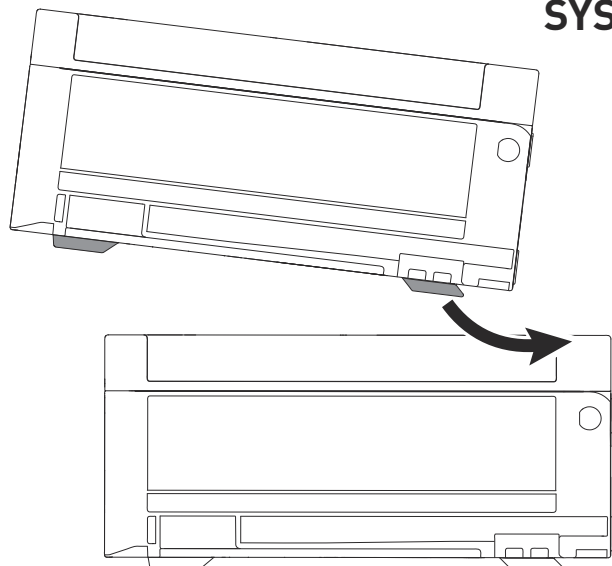


Gire el T-loc **[SYS-b-1]** a una de estas posiciones (Fig. **[SYS-b]**).

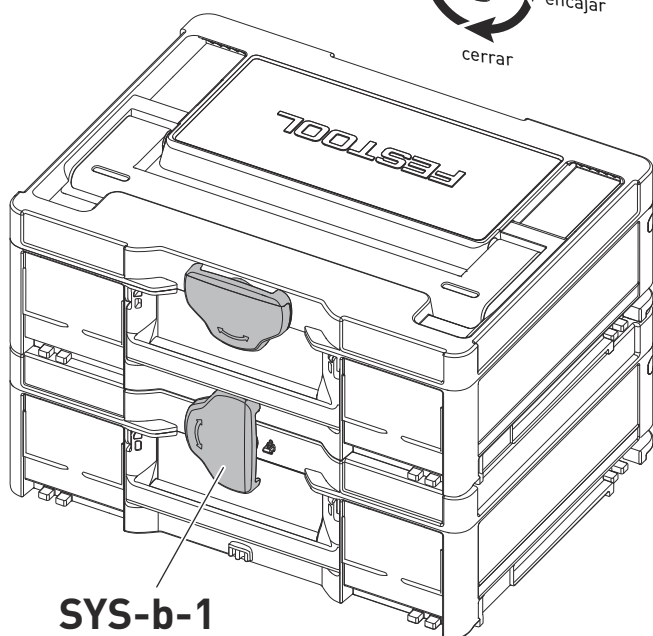
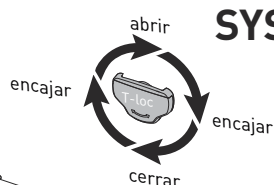
Los Systainers están encajados y cerrados.

- ❗ El Systainer Classic Line se puede unir por la parte inferior con un Systainer T-Loc o con un Systainer³ por medio de sus cuatro enclavamientos

El Systainer T-Loc se puede unir por abajo o por arriba con un Systainer³.

SYS-a

Los datos pueden leerse sin contacto con dispositivos especiales, y Festool los utiliza exclusivamente para el diagnóstico de fallos, la gestión de las reparaciones y de la garantía, así como para la mejora de la calidad o el perfeccionamiento de la herramienta eléctrica. Los datos no se utilizan para otros fines sin el consentimiento expreso del cliente.

SYS-b**12 Medio ambiente**

No deseche la herramienta junto con los residuos domésticos. Recicle las herramientas, accesorios y embalajes de forma respetuosa con el medio ambiente. Respete la normativa vigente del país.

13 Observaciones generales**13.1 Información relativa a la protección de datos**

La herramienta eléctrica contiene un chip que almacena automáticamente los datos de servicio y de la máquina. Los datos guardados no pueden estar directamente relacionados con ninguna persona.