

en	Original Instructions - Cordless drill	6
fr	Notice d'utilisation d'origine - Perceuses-visseuses sans fil	15
es	Manual de instrucciones original - Taladro atornillador de batería	25



Read all instructions before using  
Lire toutes les instructions avant de démarrer les travaux.  
Lea y comprende todas las instrucciones antes de usar.



## C 18 Li

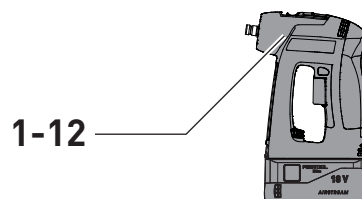
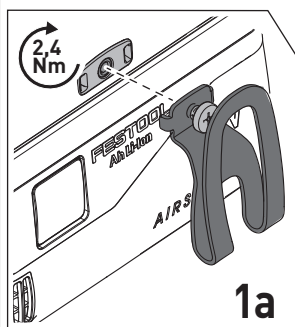
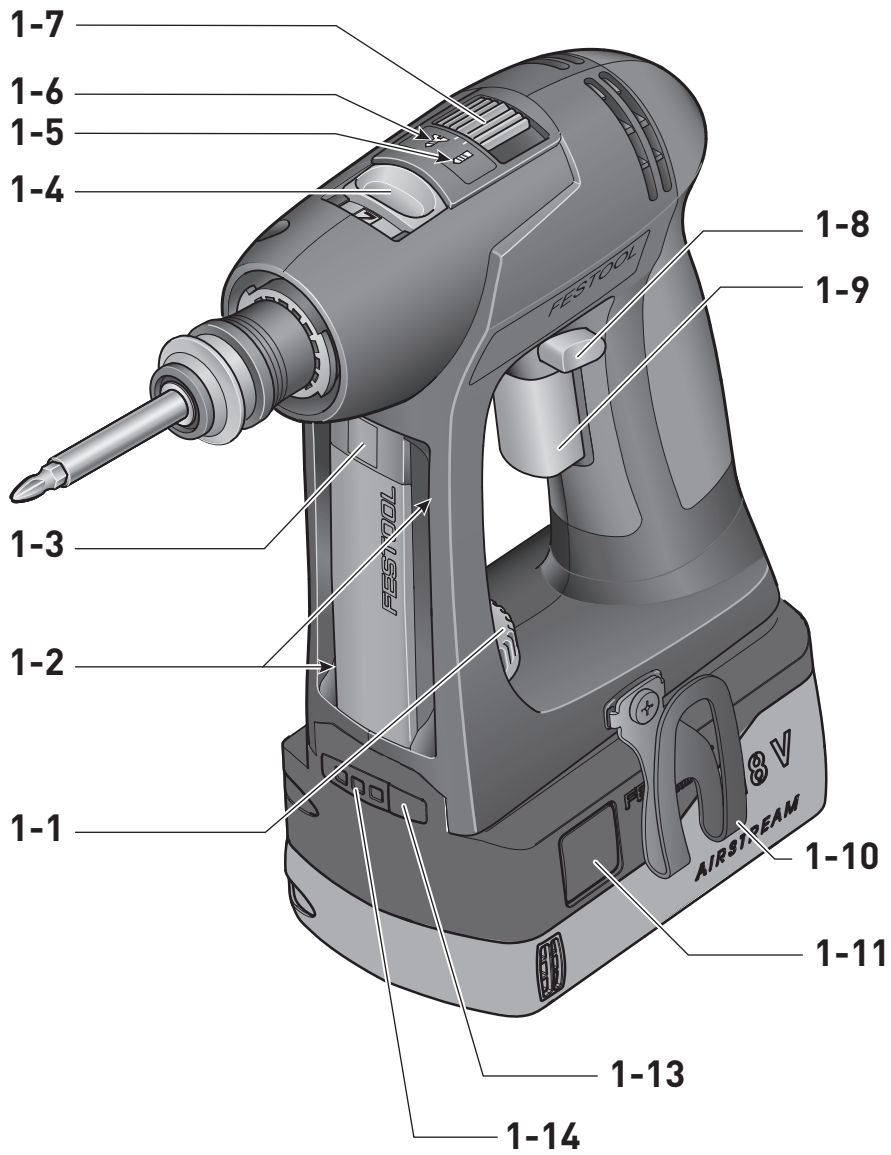


Festool GmbH  
Wertstraße 20  
73240 Wendlingen  
Germany  
[www.festoolusa.com](http://www.festoolusa.com)














## Contents

1	About this manual.....	6
2	Symbols.....	6
3	Safety warnings.....	7
4	Intended use.....	9
5	Technical data.....	9
6	Functional description.....	10
7	Commissioning.....	10
8	Battery pack.....	10
9	Settings.....	11
10	Tool holder, attachments.....	11
11	Working with the machine.....	13
12	Service and maintenance.....	13
13	Accessories.....	13
14	Environment.....	14







## 1 About this manual


### Save these instructions


It is important for you to read and understand this manual. The information it contains relates to protecting **your safety** and **preventing problems**. The symbols below are used to help you recognize this information.


	<b>DANGER</b>	Description of imminent hazard and failure to avoid hazard will result in death.
	<b>WARNING</b>	Description of hazard and possible resulting injuries or death.
	<b>CAUTION</b>	Description of hazard and possible resulting injuries.
	<b>NOTICE</b>	Description of possible damage of the device or its surroundings.


## 2 Symbols


	Warning of general danger
	Warning of electric shock
	Read the operating instructions and safety instructions.
	Wear ear protection.
	Wear protective goggles.
	Wear a dust mask.

 Tip or advice


 Handling instruction

 Inserting the battery pack

 Removing the battery pack

 Only assemble by hand!



 diameter

V volt

A amperes

Ah amps hour

Hz hertz

Wh watt hour

~ a.c. alternating current

— d.c. direct current

$n_0$  no load speed

rpm min<sup>-1</sup> revolutions per minute

min. minutes

kg kilogram

lb. pound

mm millimetre

" inch

°C degree Celsius

Nm Newton metre



**CAUTION** For use only with FESTOOL batteries BP 18

## 3 Safety warnings

### 3.1 General power tool safety warnings



**WARNING!** Read all safety warnings, instructions, illustrations and specifications provided with this power tool. Failure to follow all instructions listed below may result in electric shock, fire and/or serious injury.

**Save all warnings and instructions for future reference.**

The term "power tool" in the warnings refers to your mains-operated (corded) power tool or battery-operated (cordless) power tool.

#### 1 WORK AREA SAFETY

- a. **Keep work area clean and well lit.** Cluttered or dark areas invite accidents.
- b. **Do not operate power tools in explosive atmospheres, such as in the presence of flammable liquids, gases or dust.** Power tools create sparks which may ignite the dust or fumes.
- c. **Keep children and bystanders away while operating a power tool.** Distractions can cause you to lose control.

#### 2 ELECTRICAL SAFETY

- a. **Power tool plugs must match the outlet. Never modify the plug in any way. Do not use any adapter plugs with earthed (grounded) power tools.** Unmodified plugs and matching outlets will reduce risk of electric shock.
- b. **Avoid body contact with earthed or grounded surfaces, such as pipes, radiators, ranges and refrigerators.** There is an increased risk of electric shock if your body is earthed or grounded.
- c. **Do not expose power tools to rain or wet conditions.** Water entering a power tool will increase the risk of electric shock.
- d. **Do not abuse the cord. Never use the cord for carrying, pulling or unplugging the power tool. Keep cord away from heat, oil, sharp edges or moving parts.** Damaged or entangled cords increase the risk of electric shock.
- e. **When operating a power tool outdoors, use an extension cord suitable for outdoor use.** Use of a cord suitable for outdoor use reduces the risk of electric shock.
- f. **If operating a power tool in a damp location is unavoidable, use a residual current device (RCD) protected supply.** Use of an RCD reduces the risk of electric shock.

### 3 PERSONAL SAFETY

- a. **Stay alert, watch what you are doing and use common sense when operating a power tool. Do not use a power tool while you are tired or under the influence of drugs, alcohol or medication.** A moment of inattention while operating power tools may result in serious personal injury.
- b. **Use personal protective equipment. Always wear eye protection.** Protective equipment such as a dust mask, non-skid safety shoes, hard hat or hearing protection used for appropriate conditions will reduce personal injuries.
- c. **Prevent unintentional starting. Ensure the switch is in the off-position before connecting to power source and/or battery pack, picking up or carrying the tool.** Carrying power tools with your finger on the switch or energising power tools that have the switch on invites accidents.
- d. **Remove any adjusting key or wrench before turning the power tool on.** A wrench or a key left attached to a rotating part of the power tool may result in personal injury.
- e. **Do not overreach. Keep proper footing and balance at all times.** This enables better control of the power tool in unexpected situations.
- f. **Dress properly. Do not wear loose clothing or jewellery. Keep your hair and clothing away from moving parts.** Loose clothes, jewellery or long hair can be caught in moving parts.
- g. **If devices are provided for the connection of dust extraction and collection facilities, ensure these are connected and properly used.** Use of dust collection can reduce dust-related hazards.
- h. **Do not let familiarity gained from frequent use of tools allow you to become complacent and ignore tool safety principles.** A careless action can cause severe injury within a fraction of a second.

### 4 POWER TOOL USE AND CARE

- a. **Do not force the power tool. Use the correct power tool for your application.** The correct power tool will do the job better and safer at the rate for which it was designed.
- b. **Do not use the power tool if the switch does not turn it on and off.** Any power tool that cannot be controlled with the switch is dangerous and must be repaired.

- c. **Disconnect the plug from the power source and/or remove the battery pack, if detachable, from the power tool before making any adjustments, changing accessories, or storing power tools.** Such preventive safety measures reduce the risk of starting the power tool accidentally.
- d. **Store idle power tools out of the reach of children and do not allow persons unfamiliar with the power tool or these instructions to operate the power tool.** Power tools are dangerous in the hands of untrained users.
- e. **Maintain power tools and accessories. Check for misalignment or binding of moving parts, breakage of parts and any other condition that may affect the power tool's operation. If damaged, have the power tool repaired before use.** Many accidents are caused by poorly maintained power tools.
- f. **Keep cutting tools sharp and clean.** Properly maintained cutting tools with sharp cutting edges are less likely to bind and are easier to control.
- g. **Use the power tool, accessories and tool bits etc. in accordance with these instructions, taking into account the working conditions and the work to be performed.** Use of the power tool for operations different from those intended could result in a hazardous situation.
- h. **Keep handles and grasping surfaces dry, clean and free from oil and grease.** Slippery handles and grasping surfaces do not allow for safe handling and control of the tool in unexpected situations.
- d. **Under abusive conditions, liquid may be ejected from the battery; avoid contact. If contact accidentally occurs, flush with water. If liquid contacts eyes, additionally seek medical help.** Liquid ejected from the battery may cause irritation or burns.
- e. **Do not use a battery pack or tool that is damaged or modified.** Damaged or modified batteries may exhibit unpredictable behaviour resulting in fire, explosion or risk of injury.
- f. **Do not expose a battery pack or tool to fire or excessive temperature.** Exposure to fire or temperature above 130 °C (265 °F) may cause explosion.
- g. **Follow all charging instructions and do not charge the battery pack or tool outside the temperature range specified in the instructions.** Charging improperly or at temperatures outside the specified range may damage the battery and increase the risk of fire.

## 6 SERVICE

- a. **Have your power tool serviced by a qualified repair person using only identical replacement parts.** This will ensure that the safety of the power tool is maintained.
- b. **Never service damaged battery packs.** Service of battery packs should only be performed by the manufacturer or authorized service providers.
- c. **Only use original Festool parts for repair and maintenance.** The use of incompatible accessories or spare parts can result in electric shocks or other injuries.

**Follow the operating manual for the charger and the battery pack.**

### 3.2 Machine-specific safety notices

- **Hold the power tool by insulated gripping surfaces, when performing an operation where the cutting accessory or fasteners may contact hidden wiring.** Cutting accessory contacting a "live" wire may make exposed metal parts of the power tool "live" and could give the operator an electric shock.

#### Safety instructions when using long drill bits

- **Never operate at higher speed than the maximum speed rating of the drill bit.** At higher speeds, the bit is likely to bend if allowed to rotate freely without contacting the workpiece, resulting in personal injury.

## 5 BATTERY TOOL USE AND CARE

- a. **Recharge only with the charger specified by the manufacturer.** A charger that is suitable for one type of battery pack may create a risk of fire when used with another battery pack.
- b. **Use power tools only with specifically designated battery packs.** Use of any other battery packs may create a risk of injury and fire.
- c. **When battery pack is not in use, keep it away from other metal objects, like paper clips, coins, keys, nails, screws or other small metal objects, that can make a connection from one terminal to another.** Shorting the battery terminals together may cause burns or a fire.



- **Always start drilling at low speed and with the bit tip in contact with the workpiece.** At higher speeds, the bit is likely to bend if allowed to rotate freely without contacting the workpiece, resulting in personal injury.
- **Apply pressure only in direct line with the bit and do not apply excessive pressure.** Bits can bend causing breakage or loss of control, resulting in personal injury.

#### Further safety instructions

- **Use appropriate detection devices to look for any hidden supply lines or consult your local utility company.** If the insertion tool makes contact with live cables, it can result in fire and electric shock. Damage to a gas pipe can lead to an explosion. Penetration of a water pipe can result in damage to property.



**Wear suitable personal protective equipment:** Ear protection and safety goggles.

- **CAUTION! Power tool can jam and cause sudden kickback!** Switch off immediately!

- **Hold the power tool firmly in your hand. Make sure the speed is adjusted correctly when screwdriving. Be prepared for a high reaction torque,** which may cause the power tool to turn and possibly lead to injury.
- **Do not use the power tool in the rain or in damp surroundings.** Moisture in the power tool may cause a short circuit and fire.
- Do not lock the on/off switch in place permanently.
- **Do not use power supply units or third-party battery packs to operate cordless power tools. Do not use third-party chargers to charge the battery packs.** The use of accessories not expressly authorised by the manufacturer can result in electric shocks and/or serious accidents.

## 5 Technical data

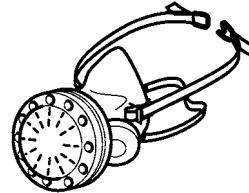
Cordless drill	C 18 Li	
Motor voltage	18 V	
No-load speed*	1st gear	0 - 450 min <sup>-1</sup>
	2nd gear	0 - 1500 min <sup>-1</sup>
Max. torque	Soft material (wood)	27 Nm
	Hard material (metal)	45 Nm

### 3.3 Health hazard by dust



**WARNING!** various dust created by power sanding, sawing, grinding, drilling and other construction activities contains chemicals known (to the State of California) to cause cancer, birth defects or other reproductive harm. Some examples of these chemicals are:

- lead from lead-based paints,
- crystalline silica from bricks and cement and other masonry products, and
- arsenic and chromium from chemically treated lumber.



The risk from these exposures varies, depending on how often you do this type of work. To reduce your exposure to these chemicals: work in a well ventilated area, and work with approved safety equipment, such as dust masks that are specially designed to filter out microscopic particles. Wash hands after handling.



#### WARNING

**TO REDUCE THE RISK OF INJURY, USER MUST READ INSTRUCTION MANUAL.**

## 4 Intended use

Cordless drill suitable

- for drilling in metal, wood, plastics and similar materials,
- for screwing in and tightening screws.
- intended for use with BP Festool battery packs of the same voltage class.



The user is liable for damage and accidents caused by improper and non-intended use; this also includes damage and wear caused by continuous industrial operation.

Cordless drill		C 18 Li
Adjustable torque**	1st gear	0.8 - 8 Nm
	2nd gear	0.5 - 6 Nm
Chuck clamping range		1/16" - 1/2" (1.5 - 13 mm)
Max. drill diameter	Wood	1-9/16" (40 mm)
	Metal	1/2" (13 mm)
Tool holder in drill spindle		1/4"
Weight (incl. battery pack BP 18 Li 6,2 AS and chuck) as per EPTA procedure 01:2014		4.4 lbs (2.0 kg)
Weight with Centrotec, without battery pack.		2.2 lbs (1.0 kg)

\* Speed specifications with fully charged battery pack.

\*\* The maximum speed is reduced in the lower torque stages (values in clockwise rotation).

## 6 Functional description

- [1-1]** Torque thumbwheel
- [1-2]** Bit store
- [1-3]** LED light
- [1-4]** Gear switch
- [1-5]** Drilling symbol
- [1-6]** Screwdriving symbol
- [1-7]** Screwdriving/drilling selector switch
- [1-8]** Rotational direction switch
- [1-9]** On/off switch
- [1-10]** Belt clip
- [1-11]** Buttons for releasing the battery pack
- [1-12]** Insulated gripping surfaces (grey shaded area)
- [1-13]** Capacity display button on battery pack
- [1-14]** Capacity indicator

Accessories shown or described are not always included in the scope of delivery.

The pictures for the functional description are on a fold-out page at the beginning of the instruction manual. While reading the manual you can fold out the page for comparison and quick reference.

## 7 Commissioning

Consider the pictures on the fold-out page.

### 7.1 Belt clip

The belt clip allows a short-term securing of the device in the work clothes. Insert the belt clip on the designated side, right or left, and fix it with the screw **[1a]**.

### 7.2 On/Off switch [1-9]

Press = ON, release = OFF

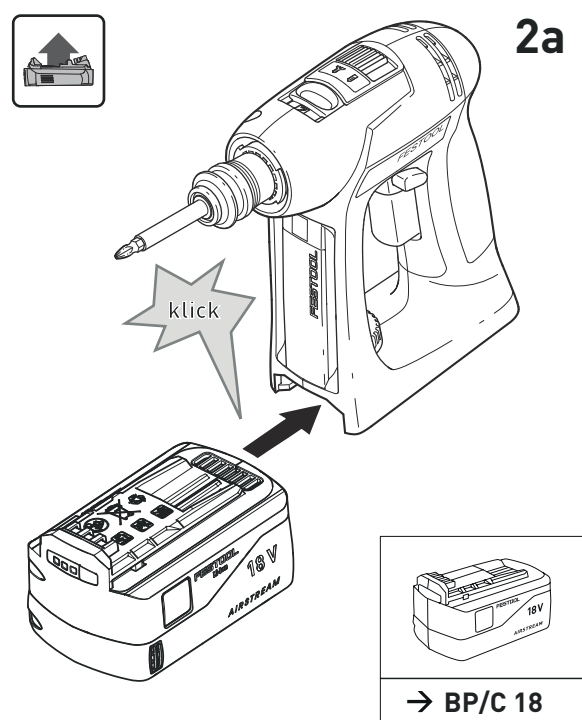
- ⓘ The speed of the machine depends on how far the on/off switch is pressed in.

The LED bulb **[1-3]** lights up when the ON/OFF switch is pressed **[1-9]**.

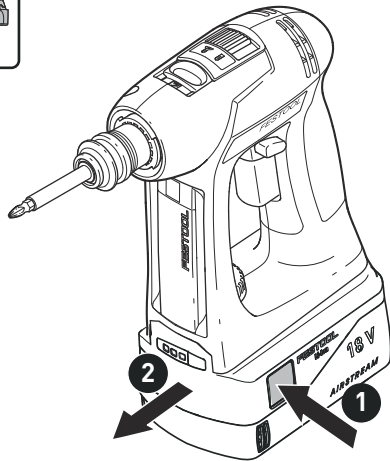
## 8 Battery pack

### 8.1 Changing the battery pack

#### Inserting the battery pack [2a]



## Removing the battery pack [2b]



2b

The battery pack is ready to use straight out of the box and can be charged at any time.

### 8.2 Capacity indicator

The capacity display [1-14] indicates the charge of the battery pack for approx. 2 seconds after the button [1-13] is pressed:

	70-100%
	40-70%
	15-40%
	< 15%*

\* **Recommendation:** Charge the battery pack before any further use.

- ⓘ Further information about the charger and battery pack with capacity indicator can be found in the corresponding operating manual.

## 9 Settings



### CAUTION

#### Risk of injury

- ▶ Only adjust the settings when the power tool is switched off.

### 9.1 Changing direction of rotation [1-8]

- Switch to the left = clockwise rotation
- Switch to the right = counterclockwise rotation

### 9.2 Changing gear [1-4]

- ⓘ Only actuate the gear switch with the tool switched off. Otherwise there is a risk of damaging the gear unit.
- Gear switch forwards (digit 1 visible) = 1st gear
  - Gear switch to rear (digit 2 visible) = 2nd gear

### 9.3 Fastening

Adjust the switch so that its marking [1-7] faces the screw symbol [1-6].

Adjust the torque accordingly at the torque wheel [1-1].

Position 1 = low torque

Position 25 = high torque

An **acoustic signal** sounds when the preset torque is reached and the machine then switches off. You must release and press the ON/OFF switch [1-9] again to start the machine.

### 9.4 Drilling

Adjust the switch [1-7] so that its marking faces the drilling symbol [1-5]. Maximum torque is set in this position.

## 10 Tool holder, attachments



### WARNING

#### Risk of injury

- ▶ Remove the battery pack from the power tool before performing any work on the power tool.



### CAUTION

#### Risk of injury from hot and sharp insertion tool

- ▶ Do not use any blunt or faulty insertion tools.
- ▶ Wear protective gloves when handling an insertion tool.

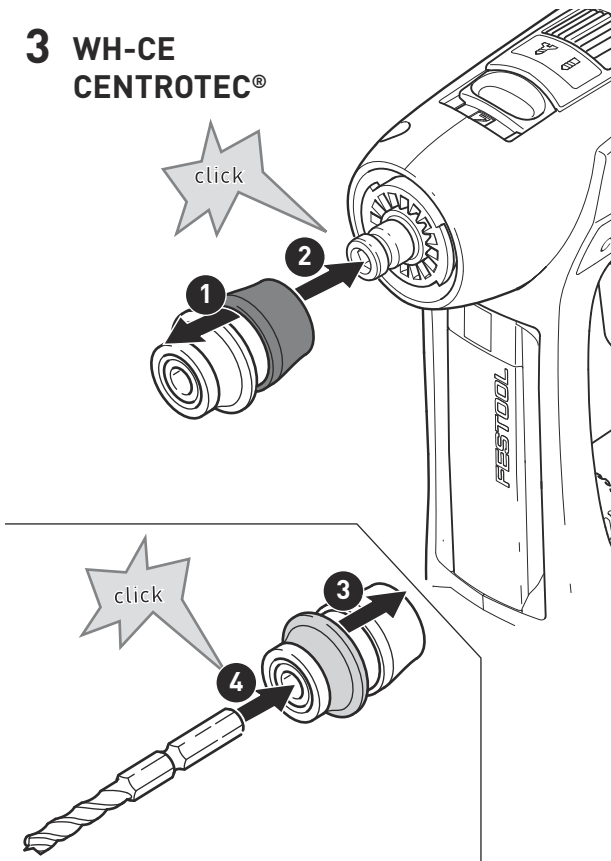
### 10.1 CENTROTEC tool chuck [3]

Quick change of tools with CENTROTEC shaft



Only clamp CENTROTEC tools in CENTROTEC tool chucks.

### 3 WH-CE CENTROTEC®

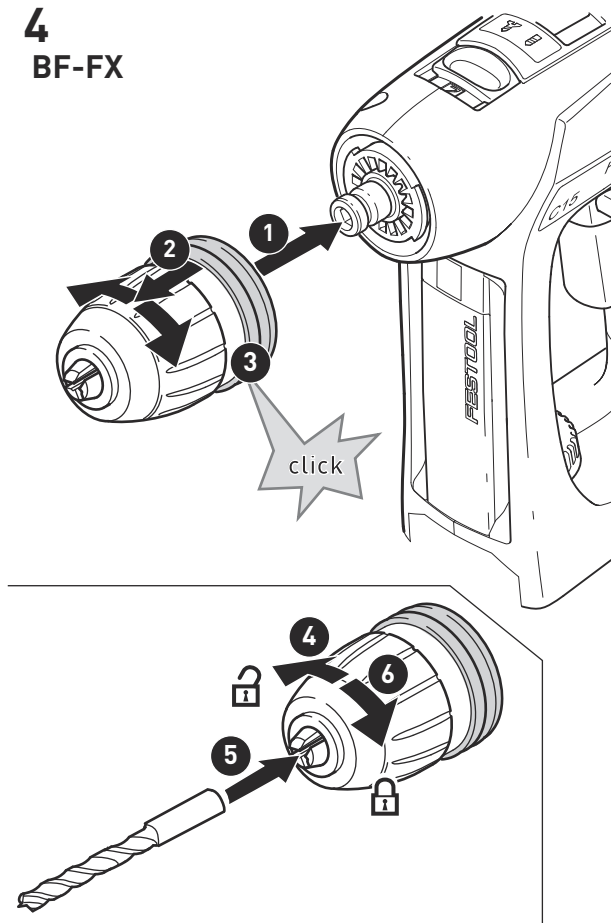


### 10.2 Chuck [4]

For clamping drill bits and bits with max. shaft diameter of 1/2" (13 mm).

**WARNING!** Clamp the tool centrally in the chuck.

### 4 BF-FX

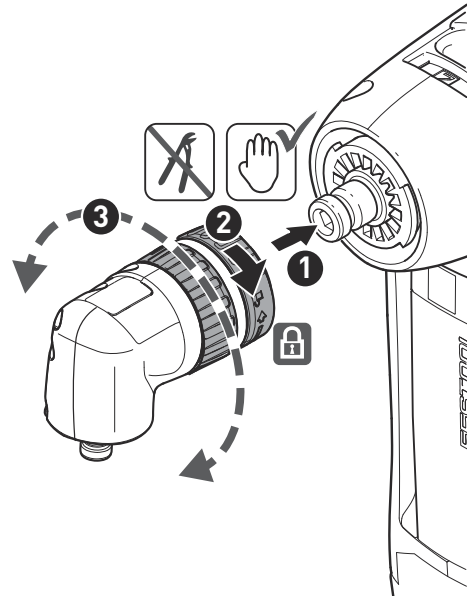


### 10.3 Angle attachment [5]

Drilling and screwdriving at right angles to the power tool (available as an accessory depending on the model).

### AN-UNI

5

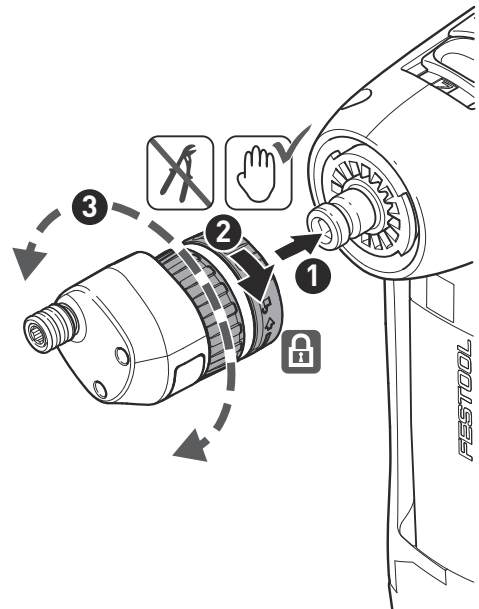


### 10.4 Eccentric adapter [6]

Screwdriving close to edges with bits according to ISO 1173 (available as an accessory depending on the model).

### EX-UNI

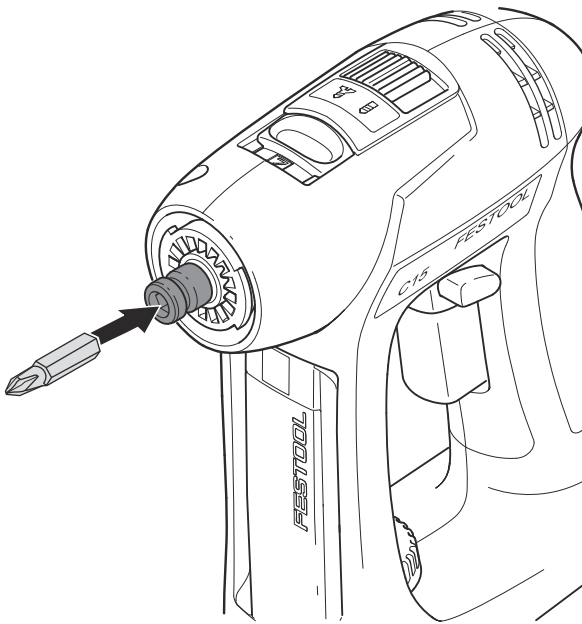
6



### 10.5 Tool holder in the drill spindle [7]

Bits can be inserted directly into the hexagon socket holder of the drill spindle.

7



## 11 Working with the machine



### WARNING

#### Risk of injury

- ▶ Always secure the workpiece in such a manner that it cannot move while being machined.

### 11.1 Bit depot [1-2]

Magnetic, for storing bits and bit holders.

### 11.2 Acoustic warning signals

Acoustic warning signals sound and the machine switches off in the following operating states:



peep — —

#### Battery flat or machine overloaded.

- Change the battery.
- Place the machine under reduced stress.



peep peep —

#### Machine is overheating.

- You must allow the machine to cool before using again.



peep peep peep

#### Lilon battery pack is faulty or has overheated.

- Once the battery pack has cooled, perform a functional check using the charger.

## 12 Service and maintenance



### WARNING

#### Risk of injury, electric shock

- ▶ Always disconnect the battery pack from the machine before any cleaning or maintenance!



### WARNING

#### Any maintenance or repair work that requires opening of the motor or gear housing should only be carried out by an authorised Customer Service Centre (name supplied by your dealer)!

- ▶ Maintenance or repair work carried out by an unauthorised person can lead to the wrong connection of the power cord or other components, which in turn can lead to accidents with serious consequences.



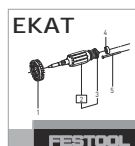
### CAUTION

#### Certain cleaning agents and solvents are harmful to plastic parts.

- ▶ Some of these include, but are not limited to: Gasoline, Acetone, Methyl Ethyl Ketone (MEK), Carbonyl Chloride, cleaning solutions containing Chlorine, Ammonia, and household cleaners containing Ammonia.



**Customer service and repairs** must only be carried out by the manufacturer or service workshops. Find the nearest address at:  
www.festoolusa.com/service



Always use original Festool spare parts. Order no. at:  
www.festoolusa.com/service

Keep the contacts on the power tool, charger and battery pack clean.

To ensure constant air circulation, always keep the cooling air openings in the motor housing clean and free of blockages.

## 13 Accessories

Use only original Festool accessories and Festool consumable material intended for this machine. These components are designed specifically for this machine. Using accessories and consumable material from other suppliers will most likely affect the quality of your results and limit warranty claims. Machine wear or

your own personal workload may increase depending on the application. Protect yourself and your machine, and preserve your warranty claims by always using original Festool accessories and Festool consumable material!

The order numbers of the accessories and tools can be found in the Festool catalogue or on the Internet under "www.festoolusa.com".

### 13.1 SYSTAINER

#### Systainer

Many Festool products are shipped in a unique system container, called "Systainer". This provides protection and storage for the tool and accessories. The Systainers are stackable and can be interlocked together. They also can be interlocked atop Festool CT dust extractors.

#### To open the Systainer



Turn the T-loc **[SYS-b-1]** to this position.

#### To lock the Systainer



Turn the T-loc **[SYS-b-1]** to this position.

#### To connect two Systainers

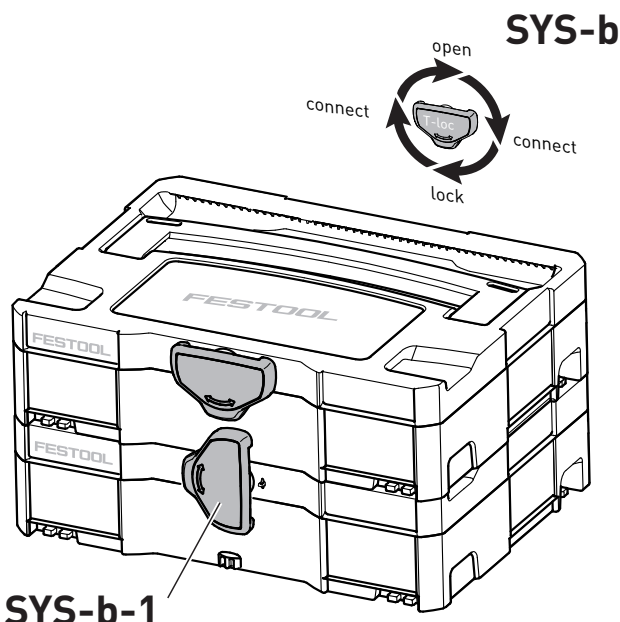
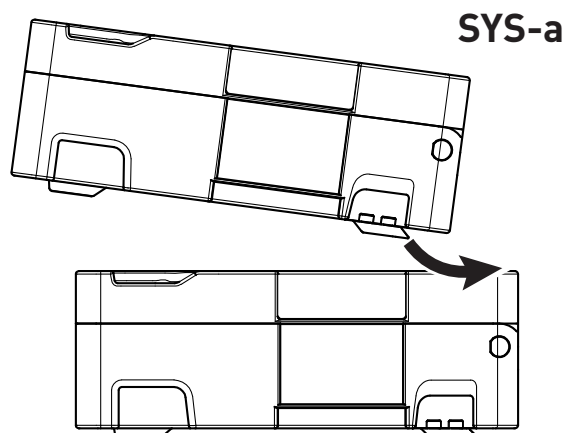
Place one Systainer on the top of the other (Fig. **[SYS-a]**).



Turn the T-loc **[SYS-b-1]** to one of this positions (Fig. **[SYS-b]**).

The Systainers are connected and locked.

**i** A new generation Systainer is connectable on top of a previous generation Systainer by the four latches of the previous Systainer.



## 14 Environment

**Do not dispose of the device together with domestic waste!** Dispose of machines, accessories and packaging at an environmentally responsible recycling centre. Observe the valid national regulations.

#### Battery Disposal



#### WARNING

##### Risk of fire or injury

- ▶ Do not attempt to disassemble the battery or remove any component projecting from the battery terminals.
- ▶ Prior to disposal, protect exposed terminals with heavy insulating tape to prevent shorting.




## Sommaire

1	À propos de ce manuel.....	15
2	Symboles.....	15
3	Consignes de sécurité.....	16
4	Utilisation conforme.....	19
5	Caractéristiques techniques.....	19
6	Éléments de l'appareil.....	20
7	Mise en service.....	20
8	Batterie.....	20
9	Réglages.....	21
10	Porte-outil, appareils à monter.....	21
11	Utilisation de l'appareil.....	22
12	Entretien et maintenance.....	23
13	Accessoires.....	23
14	Environnement.....	24






## 1 À propos de ce manuel

### Conservez ces instructions

Il est important pour vous de lire et de comprendre ce manuel. Les informations qu'il contient, se rapporte à la protection **de votre sécurité** et **de prévention des problèmes**. Les symboles suivants sont utilisés pour vous aider à reconnaître cette information.

	<b>DANGER</b>	Description du risque imminent et l'incapacité à éviter tout risque qui peut entraîner la mort.
	<b>AVERTISSEMENT</b>	Description des dangers possibles et des blessures qui en résultent ou la mort.
	<b>ATTENTION</b>	Description des dangers et des éventuelles blessures qui en résultent.
	<b>AVIS</b>	Description des dommages potentiels sur l'appareil ou dans son environnement.

## 2 Symboles

	Avertit d'un danger général
	Avertit d'un risque de décharge électrique
	Lire le mode d'emploi et les consignes de sécurité !
	Porter une protection auditive !
	Porter des lunettes de protection !



Porter une protection respiratoire !



Conseil, information



Instruction



Insérer la batterie



Dégager la batterie



Montage à la main uniquement !



Diamètre

V Volt

A Ampère

Ah Heure d'ampère

Hz Hertz

Wh Wattheure

~ a.c. Tension alternative

— d.c Tension continu

$n_0$  Vitesse de rotation à vide

rpm

$\text{min}^{-1}$  Tours ou course par minute

tr/mi

n

min. minutes

kg kilogramme

lb. Livre

mm millimètre

" Pouce

°C centigrade

Nm Newton metre



**ATTENTION** À utiliser seulement avec les batteries FESTOOL BP 18

### 3 Consignes de sécurité

#### 3.1 Consignes générales de sécurité pour outils électroportatifs



**AVERTISSEMENT !** Veuillez lire toutes les consignes de sécurité, instructions, illustrations et caractéristiques techniques qui accompagnent le présent outil électroportatif.

Des négligences relatives aux instructions suivantes peuvent occasionner un choc électrique, un incendie et/ou des blessures graves.

**Conserver l'ensemble des consignes de sécurité et des instructions afin de pouvoir les consulter ultérieurement.**

Le terme « outil électroportatif » utilisé dans les consignes de sécurité se rapporte aux outils électroportatifs fonctionnant sur secteur (avec câble) et aux outils électroportatifs fonctionnant sur batterie (sans câble).

#### 1 SÉCURITÉ DU POSTE DE TRAVAIL

- Veillez à ce que la zone de travail soit propre et bien éclairée.** Un poste de travail en désordre ou mal éclairé peut entraîner des accidents.
- Ne vous servez pas de l'outil électroportatif dans un environnement où il y a un risque d'explosion dû à la présence de liquides inflammables, de gaz ou de poussières.** Les outils électroportatifs peuvent générer des étincelles susceptibles d'enflammer la poussière ou les vapeurs.
- Éloignez les enfants et d'autres personnes pendant l'utilisation de l'outil électroportatif.** Si vous êtes distrait, vous pouvez perdre le contrôle de l'outil électroportatif.

#### 2 SÉCURITÉ ÉLECTRIQUE

- Le connecteur de l'outil électroportatif doit correspondre à la prise électrique. Le connecteur ne doit être modifié d'aucune façon. N'utilisez pas d'adaptateur avec des outils électroportatifs mis à la terre.** Des connecteurs intacts et des prises correspondantes diminuent le risque d'un choc électrique.
- Évitez tout contact avec des surfaces mises à la terre telles que des tuyaux, chauffages, cuisinières et réfrigérateurs.** Un risque élevé de choc électrique existe si votre corps est relié à la terre.
- Protégez les outils électroportatifs de la pluie et de l'humidité.** L'infiltration d'eau dans un outil électroportatif augmente le risque de choc électrique.

- Ne détournez pas l'utilisation du câble de raccordement pour porter l'outil électroportatif, l'accrocher ou pour tirer le connecteur de la prise. Éloignez le câble de la chaleur, de l'huile, de bords tranchants ou de pièces en mouvement.** Des câbles de raccordement endommagés ou enchevêtrés augmentent le risque de choc électrique.
- Si vous travaillez avec un outil électroportatif à l'extérieur, utilisez uniquement des rallonges prévues pour l'extérieur.** L'utilisation d'un câble prévu pour l'extérieur diminue le risque d'un choc électrique.
- Utilisez un disjoncteur à courant de défaut quand le fonctionnement de l'outil électroportatif en environnement humide ne peut pas être évité.** L'utilisation d'un disjoncteur à courant de défaut diminue le risque d'un choc électrique.

#### 3 SÉCURITÉ DES PERSONNES

- Soyez attentif à ce que vous faites, faites preuve de bon sens lorsque vous travaillez avec l'outil électroportatif. N'utilisez pas l'outil électroportatif si vous êtes fatigué ou si vous êtes sous l'influence de drogues, de l'alcool ou de médicaments.** Un moment d'inattention lors de l'utilisation de l'outil électroportatif peut entraîner des blessures graves.
- Portez un équipement de protection individuelle et des lunettes de protection en permanence.** Le port d'un équipement de protection individuelle tel que masque contre la poussière, chaussures de sécurité antidérapantes, casque ou protection auditive, en fonction du type et de l'utilisation de l'outil électroportatif, diminue le risque de blessures.
- Évitez toute mise en service involontaire. Assurez-vous que l'outil électroportatif est déconnecté avant de le raccorder à l'alimentation électrique et/ou à la batterie, avant de le soulever ou de le porter.** Si, en portant l'outil électroportatif, vous avez le doigt sur l'interrupteur ou si vous raccordez l'outil électroportatif connecté à l'alimentation électrique, cela peut entraîner des accidents.
- Retirez les outils de réglage ou les clés anglaises avant de connecter l'outil électroportatif.** Un outil ou une clé qui se trouve dans une partie de l'outil électroportatif en rotation peut entraîner des blessures.



- e. **Évitez toute position de travail anormale. Veillez à maintenir une position stable et un bon équilibre à tout moment.** Vous pourrez ainsi à tout moment contrôler l'outil électroportatif dans des situations inattendues.
  - f. **Portez des vêtements adaptés. Ne portez pas de vêtements amples ou de bijoux. Éloignez vos cheveux et vos vêtements des pièces en mouvement.** Des vêtements amples, des bijoux ou des cheveux longs pourraient se prendre dans les pièces en mouvement.
  - g. **Si des dispositifs d'aspiration et de récupération des poussières peuvent être montés, raccordez-les et utilisez-les correctement.** L'utilisation d'une aspiration des poussières peut diminuer les dangers dus aux poussières.
  - h. **Ne vous croyez pas faussement en sécurité et n'enfreignez pas les règles de sécurité destinées aux outils électroportatifs, même si vous maîtrisez l'outil électroportatif après de multiples utilisations.** Un manque d'attention peut en un quart de seconde entraîner de graves blessures.
- e. **Prenez soin de vos outils électroportatifs et outils. Vérifiez que les parties mobiles fonctionnent sans problème, qu'elles ne coincent pas et qu'il n'y a pas de parties cassées ou endommagées qui pourraient entraver le bon fonctionnement de l'outil électroportatif. Faites réparer les parties endommagées avant d'utiliser l'outil électroportatif.** De nombreux accidents sont dus à un mauvais entretien des outils électroportatifs.
  - f. **Maintenez les outils de coupe affûtés et propres.** Des outils de coupe entretenus avec soin dotés de bords de coupe affûtés se coincent moins et sont plus faciles à utiliser.
  - g. **Utilisez l'outil électroportatif, les outils, etc. en respectant ces instructions. Tenez compte des conditions de travail et de la tâche à effectuer.** L'utilisation des outils électroportatifs pour d'autres applications que celles prévues peut entraîner des situations dangereuses.
  - h. **Veillez à ce que les poignées et surfaces des poignées soient sèches, propres et exemptes d'huile ou de graisse.** Des poignées et surfaces de poignées glissantes ne permettent pas une utilisation en toute sécurité ni un contrôle de l'outil électroportatif dans des situations imprévues.

#### 4 UTILISATION ET TRAITEMENT DE L'OUTIL ÉLECTROPORTATIF

- a. **Ne surchargez pas l'outil électroportatif. Utilisez l'outil électroportatif destiné à votre travail.** L'outil électroportatif adapté vous permet de travailler mieux et avec plus de sécurité dans la plage de puissance indiquée.
- b. **N'utilisez aucun outil électroportatif dont l'interrupteur serait défectueux.** Un outil électroportatif qui ne peut plus être mis en marche ou arrêté est dangereux et doit être réparé.
- c. **Débranchez le connecteur de la prise de courant et/ou retirez une batterie amovible avant d'effectuer des réglages sur l'appareil, de remplacer des pièces d'outil ou de déposer l'outil électroportatif.** Cette mesure de précaution empêche un démarrage involontaire de l'outil électroportatif.
- d. **Rangez toujours les outils électroportatifs inutilisés hors de portée des enfants. Ne laissez aucune personne à laquelle vous ne faites pas confiance ou qui n'a pas lu ces consignes se servir de l'outil électroportatif.** Les outils électroportatifs sont dangereux lorsqu'ils sont utilisés par des personnes inexpérimentées.

#### 5 UTILISATION ET TRAITEMENT DE L'OUTIL SANS FIL

- a. **Rechargez les batteries uniquement dans les chargeurs recommandés par le fabricant.** Un chargeur destiné à un certain type de batteries peut prendre feu s'il est utilisé avec d'autres batteries.
- b. **Utilisez uniquement les batteries prévues dans les outils électroportatifs.** L'utilisation d'autres batteries peut entraîner des blessures et un risque d'incendie.
- c. **Éloignez la batterie non utilisée des trombones, pièces de monnaie, clés, clous, vis ou tout autre objet métallique qui pourraient causer un pontage des contacts.** Un court-circuit entre les contacts de la batterie peut causer des brûlures ou un incendie.
- d. **En cas d'utilisation erronée, il est possible que du liquide s'écoule de la batterie. Éviter tout contact avec celui-ci. En cas de contact accidentel, rincer avec de l'eau. Si le liquide pénètre dans les yeux, consultez en plus un médecin.** Le liquide s'écoulant

de la batterie peut causer des irritations cutanées ou des brûlures.

- e. **N'utilisez pas de batterie endommagée ou modifiée.** Des batteries endommagées ou modifiées peuvent causer des réactions inattendues et provoquer un incendie, une explosion ou des blessures.
- f. **N'exposez pas une batterie au feu ou à des températures élevées.** Le feu ou des températures supérieures à 130 °C peuvent provoquer une explosion.
- g. **Suivez toutes les instructions pour le chargement et ne chargez jamais la batterie ou l'outil sans fil hors de la plage de température indiquée dans la notice d'utilisation.** Un chargement erroné ou hors de la plage de température autorisée peut détruire la batterie et augmenter le risque d'incendie.

## 6 SERVICE

- a. **Faites réparer votre outil électroportatif uniquement par un personnel qualifié ; les réparations doivent être effectuées avec des pièces d'origine uniquement,** afin de garantir la fiabilité de l'outil électroportatif.
- b. **N'entretenez jamais de batteries endommagées.** Seul le fabricant ou des ateliers de service après-vente agréés doivent réaliser l'ensemble de la maintenance des batteries.
- c. **Pour la réparation et l'entretien, n'utilisez que des pièces d'origine.** L'utilisation d'accessoires ou de pièces détachées non adaptés risque de provoquer une électrocution ou des blessures.

**Respecter la notice d'utilisation du chargeur et de la batterie.**

### 3.2 Consignes de sécurité spécifiques à l'appareil

- **Si l'outil monté risque d'entrer en contact avec des vis ou des câbles invisibles, tenez l'outil électroportatif à l'aide des poignées isolées.** Le contact avec un câble sous tension peut également mettre des pièces métalliques de l'appareil sous tension et provoquer une décharge électrique.

**Consignes de sécurité relatives à l'utilisation de forets longs**

- **N'utilisez jamais l'appareil à une vitesse supérieure à la vitesse maximale autorisée pour le foret.** À des vitesses élevées, le foret risque facilement de se plier s'il peut

tourner sans toucher la pièce, ce qui est susceptible de provoquer des blessures.

- **Commencez toujours à percer à une vitesse peu élevée et pendant que le foret est en contact avec la pièce.** À des vitesses élevées, le foret risque facilement de se plier s'il peut tourner sans toucher la pièce, ce qui est susceptible de provoquer des blessures.
- **Veillez à ne pas exercer de pression excessive, et seulement dans le sens longitudinal par rapport au foret.** Les forets peuvent se plier puis se rompre ou entraîner une perte de contrôle et provoquer des blessures.

### Autres consignes de sécurité

- **Utilisez des appareils de détection appropriés pour repérer les câbles d'alimentation invisibles ou consultez l'entreprise de distribution locale.** Le contact de l'outil monté avec un câble sous tension peut provoquer un feu ou une décharge électrique. Une conduite de gaz endommagée peut provoquer une explosion. Le perçage dans une conduite d'eau provoque des dégâts matériels.



- **Portez un équipement de protection individuelle approprié :** protection auditive et lunettes de protection.



**ATTENTION ! L'outil électroportatif peut se bloquer et provoquer un rebond brusque !** Mettre à l'arrêt immédiatement !

- **Tenir l'outil électroportatif bien en main. Régler correctement la vitesse de rotation pour le vissage. S'attendre à un couple de réaction élevé** pouvant provoquer une rotation de l'outil électroportatif et entraîner des blessures.
- **Ne pas utiliser l'outil électroportatif sous la pluie ou dans un environnement humide.** L'humidité dans l'outil électroportatif peut causer un court-circuit et provoquer un incendie.
- Ne pas bloquer constamment l'interrupteur marche/arrêt !
- **Ne pas faire fonctionner l'outil électroportatif sans fil avec des blocs d'alimentation secteur ou avec des batteries d'autres fabricants. Ne pas utiliser de chargeurs d'autres fabricants pour recharger la batterie.** L'utilisation d'accessoires autres que

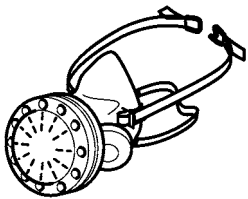
ceux prévus par le fabricant peut provoquer une décharge électrique et/ou des accidents graves.

### 3.3 La poussière, un risque pour la santé



**AVERTISSEMENT!** certaines poussières créées par le ponçage mécanique, le sciage, le meulage, le perçage et autres activités reliées à la construction contiennent des substances chimiques connues (dans l'État de la Californie) comme pouvant causer le cancer, des anomalies congénitales ou représenter d'autres dangers pour la reproduction. Voici quelques exemples de telles substances:

- plomb provenant de peintures à base de plomb,
- silice cristallisée utilisée dans les briques, le ciment et autres matériaux de maçonnerie, et
- arsenic et chrome du bois d'oeuvre traité avec un produit chimique.



Le risque d'exposition à de tels produits varie selon la fréquence à laquelle vous faites ce

genre de travail. Pour réduire les risques d'exposition à ces substances chimiques : travaillez dans un endroit adéquatement ventilé et utilisez un équipement de sécurité approuvé, tel que masques antipoussières spécialement conçus pour filtrer les particules microscopiques.



### AVERTISSEMENT

**POUR RÉDUIRE LE RISQUE DE DOMMAGES, L'UTILISATEUR DOIT LIRE LE MANUEL D'INSTRUCTION.**

## 4 Utilisation conforme

Perceuse-visseuse sans fil convient

- pour le perçage dans les matériaux suivants : métal, bois, plastique et autres matériaux similaires,
- pour le vissage et le serrage de vis.
- pour l'utilisation avec les batteries Festool de la série BP de catégorie de tension identique.



L'utilisateur est responsable des dommages et accidents dus à une utilisation non conforme, y compris des dommages et de l'usure résultant d'une utilisation industrielle continue.

## 5 Caractéristiques techniques

Perceuses-visseuses sans fil		C 18 Li
Tension du moteur		18 V
Vitesse de rotation à vide*	1ère vitesse	0 - 450 min <sup>-1</sup>
	2ème vitesse	0 - 1500 min <sup>-1</sup>
Couple max.	Cas de vissage « doux » (bois)	27 Nm
	Cas de vissage « dur » (métal)	45 Nm
Couple réglable**	1ère vitesse	0,8 - 8 Nm
	2ème vitesse	0,5 - 6 Nm
Capacité du mandrin		1/16" - 1/2" (1.5 - 13 mm)
Diamètre de perçage max.	Bois	1-9/16" (40 mm)
	Métal	1/2" (13 mm)
Porte-outil dans la broche de perçage		1/4"
Poids correspond à la procédure EPTA 01:2014 (avec batterie BP 18 Li 6,2 AS et mandrin de perçage)		4.4 lbs (2.0 kg)
Poids sans batterie, avec mandrin Centrotec		2.2 lbs (1.0 kg)

\* Valeurs de vitesse de rotation avec batterie entièrement chargée.

\*\* La vitesse de rotation maximale diminue dans les plages de couple inférieures (valeurs de fonctionnement vers la droite).

## 6 Éléments de l'appareil

- [1-1] Molette du couple
- [1-2] Logement pour embouts
- [1-3] Lampe LED
- [1-4] Sélecteur de vitesse
- [1-5] Symbole Perçage
- [1-6] Symbole Vissage
- [1-7] Commutateur vissage/perçage
- [1-8] Sélecteur de fonctionnement vers la droite/gauche
- [1-9] Interrupteur marche/arrêt
- [1-10] Clip pour ceinture
- [1-11] Touches d'extraction de la batterie
- [1-12] Parties isolées (zone en gris) servant de poignée
- [1-13] Touche témoin de charge de la batterie
- [1-14] Témoin de charge

Les accessoires illustrés ou décrits ne font pas tous partie des éléments livrés.

Des éléments fournis sont disponibles sur le volet qui se trouve au début de cette notice d'utilisation. Vous pouvez ainsi déplier cette page et visualiser en permanence les différentes parties de l'outil lorsque vous lisez la notice.

## 7 Mise en service

Attention aux illustrations au début de la présente notice d'utilisation.

### 7.1 Clip pour ceinture

Le clip pour ceinture permet une fixation rapide de l'appareil au vêtement de travail. Le montage est possible à droite ou à gauche de l'appareil à l'aide de la vis [1a].

### 7.2 Mise en marche/à l'arrêt [1-9]

Appuyer = MARCHE, relâcher = ARRÊT

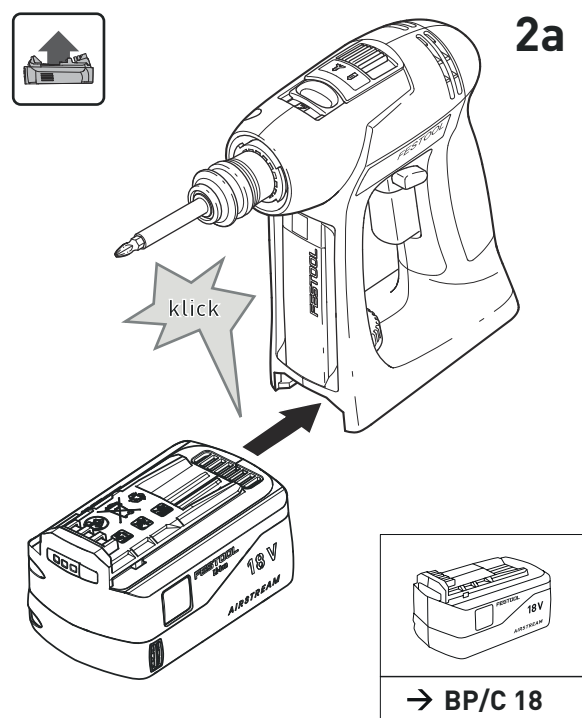
- (i) La vitesse de rotation est modulable en continu selon la pression exercée sur l'interrupteur marche/arrêt.

La lampe LED [1-3] s'allume lorsque l'interrupteur marche/arrêt est enfoncé [1-9].

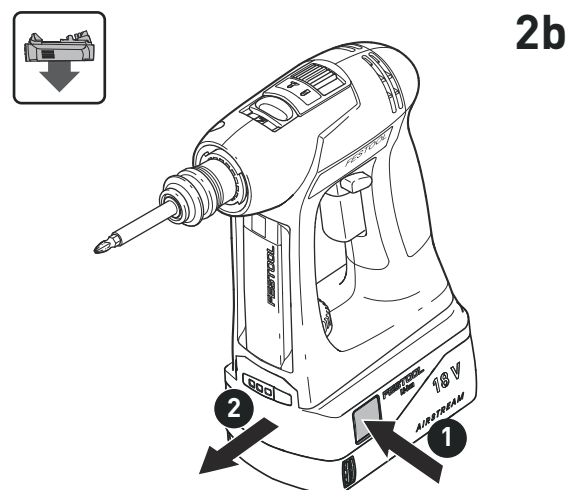
## 8 Batterie

### 8.1 Remplacer la batterie

#### Insertion de la batterie [2a]






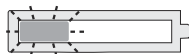
#### Retirer la batterie [2b]



La batterie est utilisable dès la livraison et peut être rechargée à tout moment.

### 8.2 Témoin de charge

L'affichage de capacité [1-14] indique à l'actionnement de la touche [1-13] le niveau de charge de la batterie pendant env. 2 s :

	70-100%
	40-70%
	15-40%
	< 15 % *

\* **Recommandation** : recharger la batterie avant de continuer à utiliser l'appareil.

- i** Vous trouverez des informations supplémentaires sur le chargeur et la batterie à indicateur de charge dans les notices d'utilisation de ces deux éléments.

## 9 Réglages



### ATTENTION

#### Risque de blessures

- Réglages à effectuer uniquement quand l'outil électroportatif est à l'arrêt !

### 9.1 Changement de sens de rotation [1-8]

- Commutateur vers la gauche = rotation à droite
- Commutateur vers la droite = rotation à gauche

### 9.2 Changement de vitesse [1-4]

- i** Actionnez le commutateur de vitesse uniquement lorsque l'appareil est arrêté. Sinon il y a risque d'endommagement du réducteur.
- Commutateur de vitesse vers l'avant (chiffre 1 visible) = 1ère vitesse
  - Commutateur de vitesse vers l'arrière (chiffre 2 visible) = 2ème vitesse

### 9.3 Vissage

Régalez le commutateur inverseur **[1-7]** de manière à ce que son repère soit pointé sur le symbole de vissage **[1-6]**.

Régalez le couple via la molette de réglage du couple **[1-1]**.

Position 1 = petit couple

Position 25 = grand couple

Un **signal sonore** retentit et l'outil s'arrête une fois le couple réglé atteint. L'outil redémarre seulement après avoir relâché et pressé à nouveau l'interrupteur marche/arrêt **[1-9]**.

### 9.4 Perçage

Régalez le commutateur inverseur **[1-7]** de manière à ce que son repère soit pointé sur le

symbole de perçage **[1-5]**. Le couple maximal est réglé dans cette position.

## 10 Porte-outil, appareils à monter



### AVERTISSEMENT

#### Risque de blessures

- Retirer la batterie de l'outil électroportatif avant toute intervention sur ce dernier.



### ATTENTION

#### Risque de blessures dû à l'outil d'usinage chaud et tranchant

- Ne pas monter d'outils d'usinage émoussés ou défectueux.
- Se munir de gants de protection pour manipuler l'outil d'usinage.

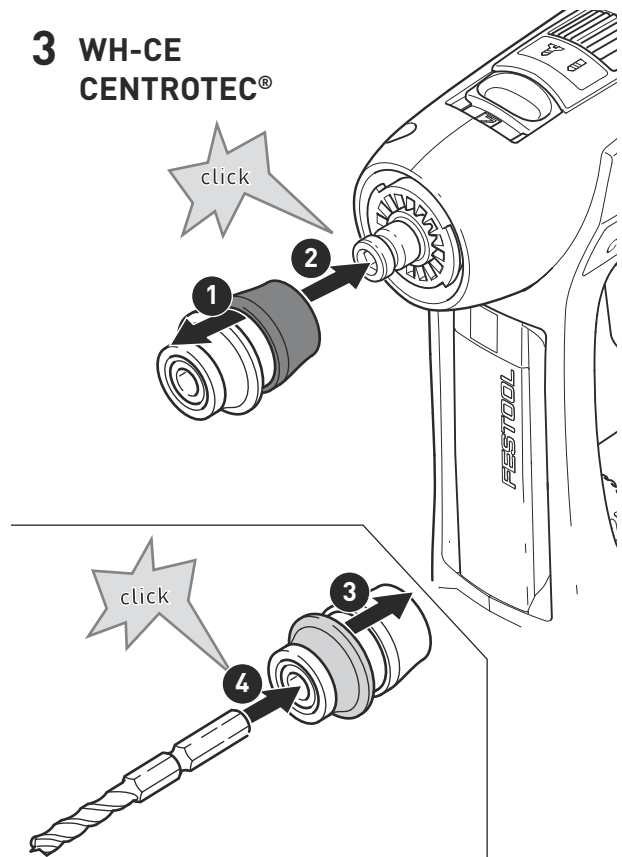
### 10.1 Mandrin CENTROTEC [3]

La tige CENTROTEC permet un remplacement rapide des outils



Monter uniquement les outils CENTROTEC dans le mandrin CENTROTEC.

### 3 WH-CE CENTROTEC®

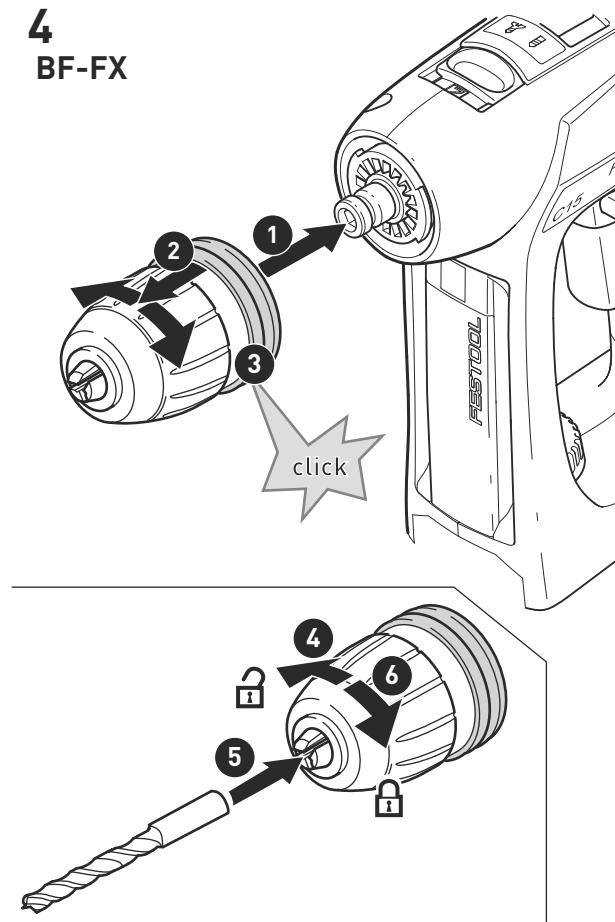


### 10.2 Mandrin de perçage [4]

Pour le serrage de forets et d'embouts d'un diamètre de queue max. de 1/2" (13 mm).

**AVERTISSEMENT !** Serrer l'outil amovible au centre du mandrin de perçage.

#### 4 BF-FX

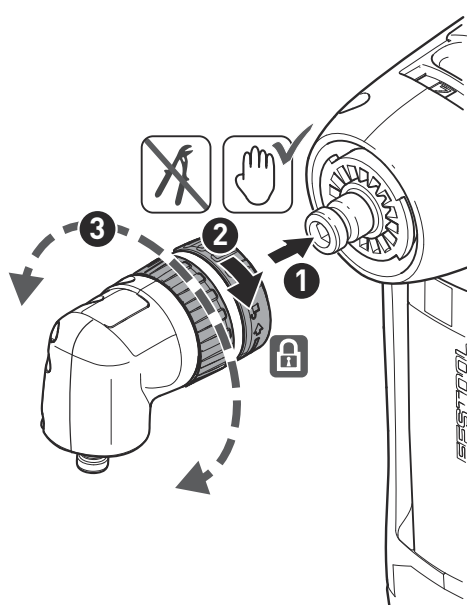


#### 10.3 Renvoi d'angle [5]

Perçage et vissage en angle droit par rapport à l'outil électroportatif (accessoire dans certains cas).

#### AN-UNI

5

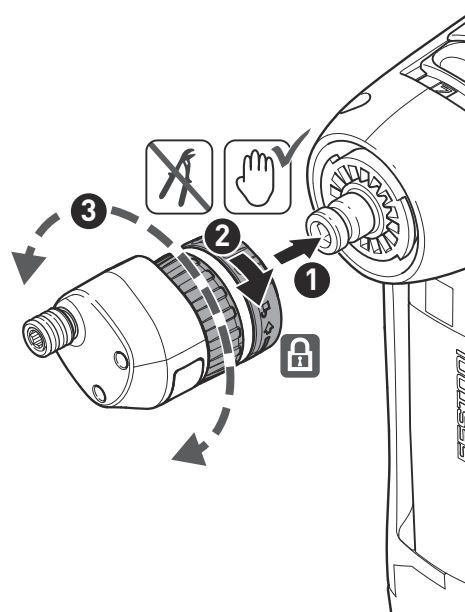


#### 10.4 Mandrin excentrique [6]

Vissage près des bords avec des embouts conformes à ISO 1173 (accessoires dans certains cas).

#### EX-UNI

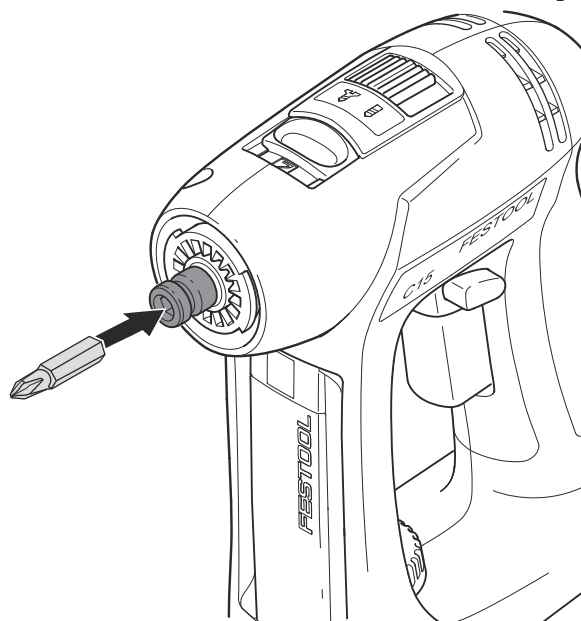
6



#### 10.5 Porte-outil dans la broche de perçage [7]

Les embouts peuvent être montés directement dans le logement six pans creux de la broche de perçage.

7



### 11 Utilisation de l'appareil



#### AVERTISSEMENT

##### Risques de blessures

- Fixer la pièce à usiner de manière à ce qu'elle ne puisse pas bouger pendant le traitement.

## 11.1 Support d'embouts [1-2]

Magnétique, pour l'emmanchement d'embouts ou de porte-embouts.

## 11.2 Signaux d'avertissement sonores

Des signaux d'avertissement sonores retentissent lors des états de fonctionnement suivants et la machine s'arrête :



peep — —

### Batterie déchargée ou machine surchargée.

- Remplacez la batterie.
- Réduisez la charge de la machine.



peep peep —

### La machine est surchauffée.

- Après refroidissement, vous pouvez remettre la machine en marche.



peep peep peep

### La batterie Li-ion est surchauffée ou défectueuse.

- Contrôlez sa capacité de fonctionnement avec le chargeur, avec la batterie refroidie.

## 12 Entretien et maintenance



### AVERTISSEMENT

#### Risques de blessures, choc électrique

- Retirez systématiquement la batterie de la machine avant tous les travaux de maintenance et d'entretien !



### AVERTISSEMENT

#### Tout travail de maintenance ou de réparation, qui nécessite l'ouverture du moteur ou du carter d'engrenages doit uniquement être effectué par un centre service-client autorisé (nom fourni par votre revendeur) !

- Les travaux de maintenance ou de réparation effectués par un personnel non autorisé peuvent conduire à la mauvaise connexion de câbles d'alimentation ou d'autres composants, ce qui peut entraîner à son tour des accidents avec des conséquences graves.



## ATTENTION

### Certains produits nettoyants et solvants sont nocifs pour les pièces en plastique.

- Quelques exemples de produit nocif : essence, acétone, méthyléthylcétone (MEK), chlorure de carbonyle, solutions nettoyantes contenant du chlore, de l'ammoniac et les produits ménagers contenant de l'ammoniac.



**Service après-vente et réparation** uniquement par le fabricant ou des ateliers homologués. Pour trouver l'adresse la plus proche : [www.festoolusa.com/service](http://www.festoolusa.com/service)



Utiliser uniquement des pièces détachées Festool d'origine ! Réf. sur : [www.festoolusa.com/service](http://www.festoolusa.com/service)

Veiller à ce que les contacts de branchement sur l'outil électroportatif, le chargeur et la batterie restent propres.

Pour assurer la circulation de l'air, il est impératif que les ouïes de ventilation du carter moteur soient maintenues dégagées et propres.

## 13 Accessoires

Utilisez uniquement les accessoires Festool et consommables Festool d'origine prévus pour cette machine, car ces composants systèmes sont parfaitement adaptés les uns par rapport aux autres. Si vous utilisez des accessoires et consommables d'autres marques, la qualité du résultat peut être dégradée et les recours en garantie peuvent être soumis à des restrictions. L'usure de la machine ou votre charge personnelle peuvent augmenter selon chaque application. Pour cette raison, protégez-vous, votre machine et vos droits à la garantie en utilisant exclusivement des accessoires Festool et des consommables Festool d'origine !

Les références des accessoires et des outils figurent dans le catalogue Festool ou sur Internet sous "[www.festoolusa.com](http://www.festoolusa.com)".


### 13.1 SYSTAINER

#### Systainer


De nombreux produits Festool sont fournis dans une caisse exclusive, appelée "Systainer". Celle-ci permet de protéger et de ranger des outils et des appareils complémentaires. Les Systainer sont empilables et peuvent être soli-

darisés. En outre, il se fixe sur les aspirateurs CT Festool.

### Pour ouvrir le Systainer


 Tournez le T-loc **[SYS-b-1]** à cette position.

### Pour fermer le Systainer

 Tournez le T-loc **[SYS-b-1]** à cette position.

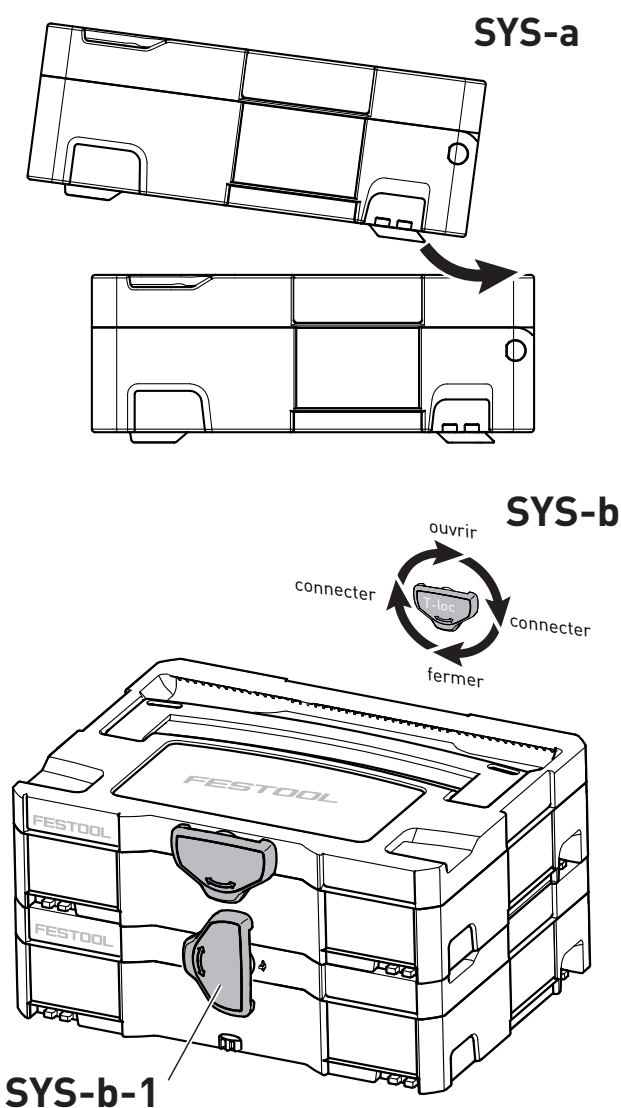
### Pour connecter deux Systainers

Placez un Systainer au dessus de l'autre **[SYS-a]**.

 Tournez le T-loc **[SYS-b-1]** à une de cette positions (Fig. **[SYS-b]**).

Les Systainers sont combinés.

- i** Un Systainer de la nouvelle génération peut être attaché au dessus d'un Systainer de l'ancienne génération par les quatre loquets de l'ancien Systainer.



## 14 Environnement

**Ne jetez pas l'appareil avec les ordures ménagères !** Eliminez l'appareil, les accessoires et les emballages de façon compatible avec l'environnement. Respectez les prescriptions nationales en vigueur.

### Mise au rebut des batteries



### AVERTISSEMENT

#### Risque d'incendie ou de blessures

- Ne tentez pas de désassembler la batterie ou d'enlever tout composant faisant saillie des bornes de batterie.
- Avant la mise au rebut, protégez les bornes exposées à l'aide d'un ruban isolant épais pour prévenir le court-circuitage.






## Índice de contenidos

1	Sobre este manual.....	25
2	Símbolos.....	25
3	Indicaciones de seguridad.....	26
4	Uso conforme a lo previsto.....	29
5	Datos técnicos.....	29
6	Componentes de la herramienta.....	30
7	Puesta en servicio.....	30
8	Batería.....	30
9	Ajustes.....	31
10	Alojamiento de herramienta, accesorios de prolongación.....	31
11	Trabajo con la máquina.....	32
12	Mantenimiento y cuidado.....	33
13	Accesorios.....	33
14	Medio ambiente.....	34





## 1 Sobre este manual

### Guarde estas instrucciones

Es importante que usted lea y entienda este manual. La información que contiene se relaciona con la protección de **su seguridad** y la **prevención de problemas**. Los símbolos que siguen se utilizan para ayudarlo a reconocer esta información.

	PELIGRO	Descripción de peligro inminente y fracaso para evitar riesgos que podran causar la muerte.
	ADVERTENCIA	Descripción de peligro y posibles lesiones resultantes o la muerte.
	PRECAUCIÓN	Descripción de peligro y posibles lesiones resultantes.
	AVISO	Descripción de los posibles daños en el dispositivo o en su entorno.

## 2 Símbolos

	Aviso de peligro general
	Peligro de electrocución
	¡Leer el manual de instrucciones y las indicaciones de seguridad!
	Usar protección para los oídos



Utilizar gafas de protección



Utilizar protección respiratoria.



Consejo, indicación



Guía de procedimiento



Insertar la batería



Soltar la batería



El montaje debe ser manual.



diámetro

V voltios

A amperios

Ah amperio-hora

Hz hertzios

Wh vario-hora

~

tensión alterna

a.c.

---

tensión continua

d.c

$n_0$  revoluciones por minuto en vacío

rpm  
min<sup>-1</sup> revolutiones por minuto

min. minutos

kg kilogramo

lb. libras

mm milímetro

"

pulgada

°C centigrados

Nm Newton metro



**PRECAUCIÓN** Para uso solamente con las baterías FESTOOL BP 18

### 3 Indicaciones de seguridad

#### 3.1 Instrucciones generales de seguridad para herramientas eléctricas



**¡ADVERTENCIA!** Leer todas las indicaciones de seguridad, instrucciones, ilustraciones y datos técnicos que acompañan a esta herramienta eléctrica. Si no se cumplen debidamente las instrucciones siguientes, puede producirse una descarga eléctrica, quemaduras o lesiones graves.

**Guarde todas las indicaciones de seguridad e instrucciones para que sirvan de futura referencia.**

El término «herramienta eléctrica» empleado en las indicaciones de seguridad hace referencia a herramientas eléctricas conectadas a la red eléctrica (con un cable de red) o a herramientas eléctricas alimentadas con batería (sin cable de red).

#### 1 SEGURIDAD EN EL LUGAR DE TRABAJO

- Mantenga su zona de trabajo limpia y bien iluminada.** El desorden o la falta de iluminación en las zonas de trabajo pueden dar lugar a accidentes.
- No trabaje con la herramienta eléctrica en entornos potencialmente explosivos donde se encuentren líquidos, gases o polvos inflamables.** Las herramientas eléctricas producen chispas que pueden inflamar el polvo o los vapores.
- Mantenga a niños y adultos alejados de la herramienta eléctrica durante el uso.** Si se distrae, puede perder el control de la herramienta eléctrica.

#### 2 SEGURIDAD ELÉCTRICA

- El conector de la herramienta eléctrica debe encajar en el enchufe. El conector no debe modificarse en modo alguno. No utilice conectores adaptadores con herramientas eléctricas con puesta a tierra.** Unos conectores intactos y unos enchufes adecuados reducen el riesgo de descarga eléctrica.
- Evite el contacto físico con superficies con puesta a tierra como las de tuberías, calefacciones, cocinas y frigoríficos.** Existe un riesgo elevado de descarga eléctrica si su cuerpo está en contacto con la tierra.
- Mantenga las herramientas eléctricas lejos de la lluvia y la humedad.** La penetración de agua en una herramienta eléctrica aumenta el riesgo de descarga eléctrica.

- No utilice el cable de conexión para transportar o colgar la herramienta eléctrica ni para extraer el conector del enchufe. Mantenga el cable de conexión alejado del calor, aceite, cantos afilados o piezas en movimiento.** Los cables de conexión dañados o enredados aumentan el riesgo de descarga eléctrica.
- Si trabaja con una herramienta eléctrica al aire libre, utilice únicamente alargadores aptos para el uso en exteriores.** El empleo de alargadores aptos para el uso en exteriores reduce el riesgo de descarga eléctrica.
- Cuando sea inevitable el uso de la herramienta eléctrica en un entorno húmedo, utilice un interruptor diferencial.** El uso de un interruptor diferencial reduce el riesgo de que se produzca una descarga eléctrica.

#### 3 SEGURIDAD DE LAS PERSONAS

- Sea cuidadoso, preste atención a lo que está haciendo y actúe con prudencia al trabajar con herramientas eléctricas. No utilice ninguna herramienta eléctrica si está cansado o bajo los efectos de drogas, alcohol o medicamentos.** Una mínima distracción mientras está utilizando la herramienta eléctrica puede ocasionarle graves lesiones.
- Lleve puesto el equipo de protección individual y utilice gafas de protección en todo momento.** El empleo del equipamiento de protección personal como p. ej. mascarilla, guantes de seguridad antideslizantes, casco o protección de oídos, según el tipo y la aplicación de la herramienta eléctrica, reduce el riesgo de lesiones.
- Evite un arranque accidental de la herramienta. Asegúrese de que está desconectada antes de conectarla al suministro de corriente o la batería, recogerla o transportarla.** Existe peligro de accidente si transporta la herramienta eléctrica con el dedo sobre el interruptor o si conecta la herramienta eléctrica a la red estando encendida.
- Retire las herramientas de ajuste y las llaves de tornillos antes de conectar la herramienta eléctrica.** Si una herramienta o llave se encuentra en una pieza en movimiento de la herramienta eléctrica, pueden producirse lesiones.
- Evite una postura anormal del cuerpo. Procure un apoyo seguro y mantenga el**

**equilibrio en todo momento.** De esta manera podrá controlar mejor la herramienta eléctrica en situaciones inesperadas.

- f. **Utilice ropa adecuada. No utilice ropa ancha ni objetos de joyería o bisutería. Mantenga el pelo y la ropa alejados de las piezas en movimiento.** La ropa holgada, las joyas o el pelo largo pueden quedar atrapados por piezas en movimiento.
- g. **Si se montan dispositivos de aspiración o recogida de polvo, estos deberán conectarse y utilizarse correctamente.** El empleo de un sistema de aspiración del polvo puede disminuir los peligros a causa del polvo.
- h. **No se cree un falso sentido de la seguridad ni ignore las normas de seguridad de las herramientas eléctricas, ni siquiera si está muy familiarizado con el uso de la herramienta.** Una distracción durante el manejo puede derivar en graves lesiones en cuestión de pocas fracciones de segundo.

#### 4 USO Y MANEJO DE LA HERRAMIENTA ELÉCTRICA

- a. **No sobrecargue la herramienta eléctrica. Utilice la herramienta eléctrica adecuada para el trabajo que va a realizar.** Con la herramienta apropiada trabajará mejor y más seguro en el rango de potencia especificado.
- b. **No utilice ninguna herramienta eléctrica cuyo interruptor esté defectuoso.** Una herramienta eléctrica que no se pueda conectar o desconectar resulta peligrosa y es necesario repararla.
- c. **Extraiga el conector del enchufe o retire la batería extraíble antes de efectuar los ajustes de la herramienta, cambiar piezas o guardar la herramienta eléctrica.** Esta medida de seguridad impide el arranque accidental de la herramienta eléctrica.
- d. **Mantenga las herramientas eléctricas que no esté utilizando fuera del alcance de los niños. No permita que la herramienta eléctrica sea utilizada por personas que no estén familiarizadas con ella o no hayan leído las presentes indicaciones.** Las herramientas eléctricas en manos inexpertas pueden ser peligrosas.
- e. **Trate las herramientas eléctricas y las herramientas intercambiables con cuidado. Compruebe si las partes móviles funcionan correctamente y no se atascan, y si hay piezas rotas o tan deterioradas que**

**podrían mermar el funcionamiento de la herramienta eléctrica. Haga reparar las piezas deterioradas antes de usar la herramienta eléctrica.** Muchos accidentes tienen su origen en un mantenimiento deficiente de las herramientas eléctricas.

- f. **Mantenga las herramientas cortantes limpias y afiladas.** Las herramientas cortantes bien cuidadas con aristas de corte afiladas se atascan menos y se guían más fácilmente.
- g. **Utilice la herramienta eléctrica, las herramientas intercambiables, etc., de acuerdo con estas instrucciones. Para ello, tenga en cuenta las condiciones de trabajo y la actividad que debe realizar.** El uso de herramientas eléctricas en aplicaciones diferentes a las previstas puede dar lugar a situaciones peligrosas.
- h. **Mantenga las superficies de agarre y los mangos secos, limpios y libres de aceite y grasa.** Un mango o unas superficies de agarre resbaladizos no permiten un manejo y control seguros de la herramienta eléctrica en situaciones imprevistas.

#### 5 USO Y MANEJO DE LA HERRAMIENTA A BATERÍA

- a. **Las baterías deben cargarse exclusivamente en cargadores recomendados por el fabricante.** Existe riesgo de incendio si un cargador apto para un determinado tipo de batería se utiliza con otras baterías.
- b. **Utilice solo las baterías previstas en las herramientas eléctricas en cuestión.** El uso de otras baterías puede provocar lesiones y riesgo de incendio.
- c. **Mantenga la batería que no utilice alejada de clips, monedas, llaves, clavos, tornillos o cualquier otro objeto metálico pequeño que pueda provocar el puenteo de los contactos.** Un cortocircuito entre los contactos de la batería puede causar quemaduras o fuego.
- d. **Si la batería se utiliza incorrectamente, pueden producirse fugas de líquido. Evite el contacto con este líquido. En caso de contacto accidental, enjuague con agua. Si el líquido entra en contacto con los ojos, busque además asistencia médica.** El líquido derramado de la batería puede causar irritaciones en la piel o quemaduras.
- e. **No utilice baterías dañadas o modificadas.** Una batería dañada o modificada puede presentar un comportamiento imprevisible

- y producir fuego o explosiones o entrañar peligro de lesiones.
- f. **No exponga las baterías al fuego ni a altas temperaturas.** El fuego o una temperatura por encima de 130 °C puede originar una explosión.
- g. **Siga todas las instrucciones para la carga y no cargue la batería ni la herramienta a batería fuera del rango de temperatura especificado en el manual de instrucciones.** Una carga incorrecta o fuera del rango de temperatura permitido puede dañar la batería e incrementar el peligro de incendio.

## 6 SERVICIO

- a. **Encargue la reparación de su herramienta eléctrica únicamente a personal técnico cualificado y solo con piezas de recambio originales.** De esta forma queda garantizada la seguridad de la herramienta eléctrica.
- b. **Nunca realice trabajos de mantenimiento en una batería dañada.** Únicamente el fabricante o los centros autorizados del Servicio de Atención al Cliente pueden llevar a cabo los trabajos de mantenimiento de las baterías.
- c. **Utilice exclusivamente piezas originales para la reparación y el mantenimiento de la herramienta.** El uso de accesorios o piezas de recambio no previstos puede producir descargas eléctricas o lesiones.

**Tenga en cuenta el manual de instrucciones del cargador y de la batería.**

### 3.2 Indicaciones de seguridad específicas

- **La herramienta eléctrica debe sujetarse por las superficies de agarre aisladas cuando se lleven a cabo trabajos en los que la herramienta de corte o los tornillos pudieran entrar en contacto con cables eléctricos ocultos.** El contacto con una conducción de corriente puede poner bajo tensión las piezas metálicas de la máquina y provocar una descarga eléctrica.

#### Indicaciones de seguridad para el uso de brocas largas

- **En ningún caso trabaje con un número de revoluciones mayor al número de revoluciones máximo admisible para la broca.** A revoluciones más elevadas, la broca podría doblarse ligeramente si gira libremente sin estar en contacto con la pieza de trabajo, lo que podría ser causa de lesiones.

- **Comience a taladrar siempre a un número de revoluciones bajo y con la broca en contacto con la pieza de trabajo.** A revoluciones más elevadas, la broca podría doblarse ligeramente si gira libremente sin estar en contacto con la pieza de trabajo, lo que podría ser causa de lesiones.
- **No ejerza demasiada presión y hágalo solo en sentido longitudinal a la broca.** Las brocas pueden doblarse y romperse, o provocar una pérdida de control y lesiones.

#### Otras indicaciones de seguridad

- **Utilice aparatos de exploración adecuados para detectar tuberías de abastecimiento ocultas o consulte a la compañía local de abastecimiento de energía.** El contacto de la herramienta con cables eléctricos puede provocar fuego y descargas eléctricas. Si se daña una tubería de gas, puede provocar una explosión. La penetración en una tubería de agua ocasiona daños materiales.



- **Es imprescindible utilizar los equipos de protección individual adecuados:** Protección de oídos y gafas de protección.



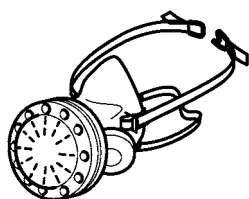
- **ATENCIÓN. La herramienta eléctrica puede bloquearse y provocar contragolpes repentinos ¡Desconectar de inmediato!**
- **Sujete la herramienta con la mano. Ajuste correctamente el número de revoluciones al atornillar. Esté preparado ante un posible momento de reacción repentino** que haga girar la herramienta eléctrica y pueda provocar lesiones.
- **No utilice la herramienta bajo la lluvia o en entornos húmedos.** La humedad puede provocar un cortocircuito en la herramienta y hacer que se incendie.
- No debe bloquearse permanentemente el interruptor de conexión y desconexión.
- **No utilizar fuentes de alimentación o baterías de otro fabricante con la herramienta eléctrica de batería. No utilizar cargadores de otro fabricante para cargar la batería.** El uso de accesorios no previstos por el fabricante puede provocar una descarga eléctrica o accidentes graves.

### 3.3 Riesgos para la salud producidos por el polvo



**ADVERTENCIA!** algunos polvos creados por lijadoras motorizadas, aserraderos, trituradores, perforadoras y otras actividades de construcción contienen sustancias químicas que se sabe (en el Estado de California) causan cáncer, defectos de nacimiento u otros daños al sistema reproductivo. Algunos ejemplos de estas sustancias químicas son:

- Plomo de las pinturas con base de plomo,
- Sílice cristalino de los ladrillos y cemento y otros productos de mampostería, y
- Arsénico y cromo de madera tratada con sustancias químicas.



El riesgo de exposición a estas sustancias varía, dependiendo de cuantas veces se hace este tipo de trabajo. Para reducir el contacto con estas

sustancias químicas: trabaje en un área con buena ventilación y trabaje con equipo de seguridad aprobado, como mascarillas para el polvo diseñadas específicamente para filtrar partículas microscópicas.



#### ADVERTENCIA

**PARA REDUCIR EL RIESGO DE LESIÓN, EL USUARIO DEBE LEER EL MANUAL DE INSTRUCCIÓN.**

## 4 Uso conforme a lo previsto

Taladro atornillador a batería apto

- para taladrar en metal, madera, plásticos y materiales similares,
- para atornillar y apretar tornillos.
- para utilizar con las baterías Festool de la serie BP de la misma clase de tensión.



El usuario responderá de los daños y accidentes causados por un uso inadecuado; esto incluye también daños y desgaste por funcionamiento industrial continuo.

## 5 Datos técnicos

Taladro atornillador a batería		C 18 Li
Tensión del motor		18 V
Número de revoluciones en vacío*	1.ª velocidad	0-450 min <sup>-1</sup>
	2.ª velocidad	0-1500 min <sup>-1</sup>
Par de giro máx.	Atornillado suave (madera)	27 Nm
	Atornillado duro (metal)	45 Nm
Par de giro regulable**	1.ª velocidad	0,8-8 Nm
	2.ª velocidad	0,5-6 Nm
Margen de sujeción del portabrocas		1/16" - 1/2" (1.5 - 13 mm)
Diámetro máx. de perforación	Madera	1-9/16" (40 mm)
	Metal	1/2" (13 mm)
Alojamiento para herramienta en el husillo de taladrar		1/4"
Peso según el procedimiento EPTA 01:2014 (con batería BP 18 Li 6,2 AS y portabrocas)		4.4 lbs (2.0 kg)
Peso sin batería con Centrotec		2.2 lbs (1.0 kg)

\* Número de revoluciones con la batería totalmente cargada.

\*\* En los niveles del par de giro inferiores, el número de revoluciones máximo disminuye (valores con giro a la derecha).

## 6 Componentes de la herramienta

- [1-1] Par de giro de la rueda de ajuste
- [1-2] Compartimento para puntas de atornillar
- [1-3] Lámpara LED
- [1-4] Interruptor de velocidad
- [1-5] Símbolo de taladrar
- [1-6] Símbolo de atornillar
- [1-7] Conmutador de atornillar/taladrar
- [1-8] Interruptor de rotación a derecha/izquierda
- [1-9] Interruptor de conexión y desconexión
- [1-10] Enganche de cinturón
- [1-11] Teclas para aflojar la batería
- [1-12] Superficies de agarre con aislamiento (zona sombreada en gris)
- [1-13] Tecla de indicación de la capacidad en la batería
- [1-14] Indicación de capacidad

Los accesorios representados o descritos no forman parte íntegra de la dotación de suministro.

Las imágenes con la dotación de suministro se encuentran en una hoja desplegable al comienzo de este manual de instrucciones. Cuando lea este manual, le recomendamos que despliegue esta página para disponer fácilmente de una vista general de la máquina.

## 7 Puesta en servicio

Tenga en cuenta las imágenes al principio del manual.

### 7.1 Enganche de cinturón

El enganche de cinturón permite fijar rápidamente la herramienta al mono de trabajo. Es posible montarlo a la izquierda o a la derecha de la herramienta mediante tornillos [1a].

### 7.2 Conexión y desconexión [1-9]

Presionar = conexión, soltar = desconexión

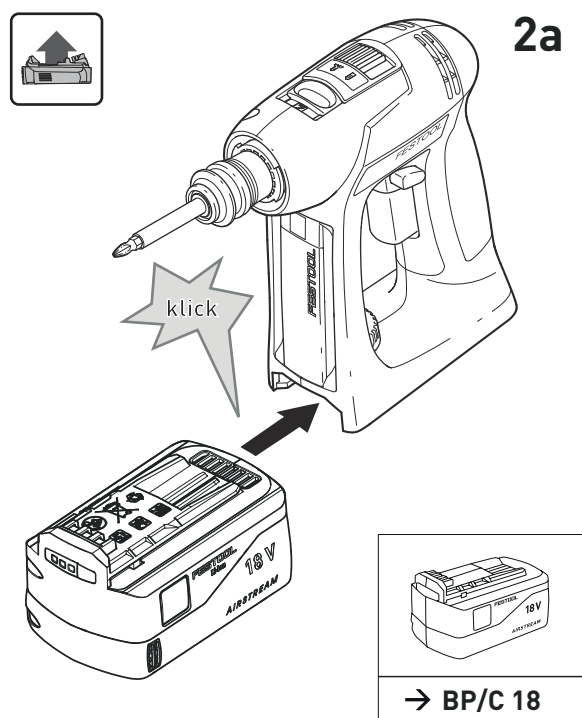
- ⓘ Dependiendo de la presión en el interruptor de conexión y desconexión, es posible controlar el número de revoluciones de forma continua.

La lámpara LED [1-3] se enciende al presionar el interruptor de conexión y desconexión [1-9].

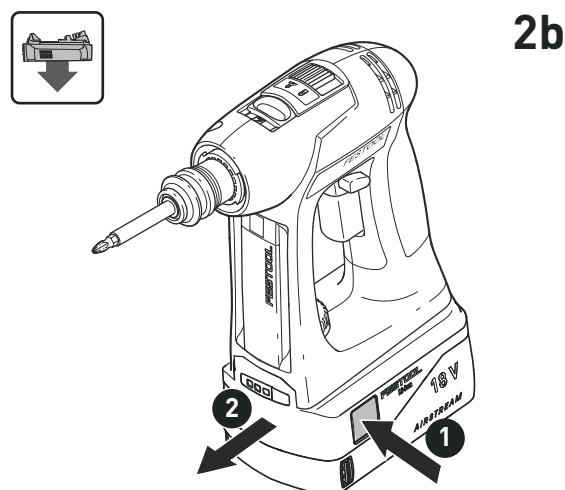
## 8 Batería

### 8.1 Cambio de la batería

#### Insertar la batería [2a]





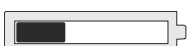

#### Extraer la batería [2b]



Tras la entrega, la batería está lista para el servicio inmediato y puede cargarse en cualquier momento.

### 8.2 Indicación de capacidad

La indicación de la capacidad [1-14] muestra, al accionar la tecla [1-13], el estado de carga de la batería durante aprox. 2 s:

	70-100 %
	40-70 %
	15-40 %
	< 15 % *

\* **Recomendación:** cargar la batería antes de cada utilización.

- i** Hallará más información sobre el cargador y la batería con indicación de la capacidad en el manual de instrucciones del cargador y de la batería.

## 9 Ajustes



### PRECAUCIÓN

#### Peligro de lesiones

- ▶ Ajustes solo con la herramienta eléctrica desenchufada

### 9.1 Cambio de sentido de giro [1-8]

- Interruptor hacia la izquierda = marcha a la derecha
- Interruptor hacia la derecha = marcha a la izquierda

### 9.2 Cambio de velocidad [1-4]

- i** Pulse siempre el interruptor de velocidades con la herramienta desconectada. De lo contrario, podría dañarse el engranaje.
- Interruptor de velocidades hacia adelante (número 1 visible) = 1.ª velocidad
  - Interruptor de velocidades hacia atrás (número 2 visible) = 2.ª velocidad

### 9.3 Atornillar

Ajuste el conmutador [1-7] de modo que la marca señale el símbolo de atornillado [1-6].

Ajuste el par de giro correspondiente con la rueda de ajuste [1-1].

Posición 1 = par de giro bajo

Posición 25 = par de giro alto

**Señal acústica** al alcanzar el par de giro ajustado, la máquina se desconecta. La máquina volverá a funcionar después de soltar y pulsar de nuevo el interruptor de conexión/desconexión [1-9].

### 9.4 Taladrar

Ajuste el conmutador [1-7] de modo que la marca señale el símbolo de [1-5] taladrado. En

esta posición está ajustado el par de giro máximo.

## 10 Alojamiento de herramienta, accesorios de prolongación



### ADVERTENCIA

#### Peligro de lesiones

- ▶ Antes de llevar a cabo cualquier trabajo en la herramienta eléctrica, retirar de esta la batería.



### PRECAUCIÓN

#### Riesgo de lesiones con herramientas calientes y afiladas

- ▶ No utilizar herramientas rotas o defectuosas.
- ▶ Usar guantes de protección al manejar la herramienta.

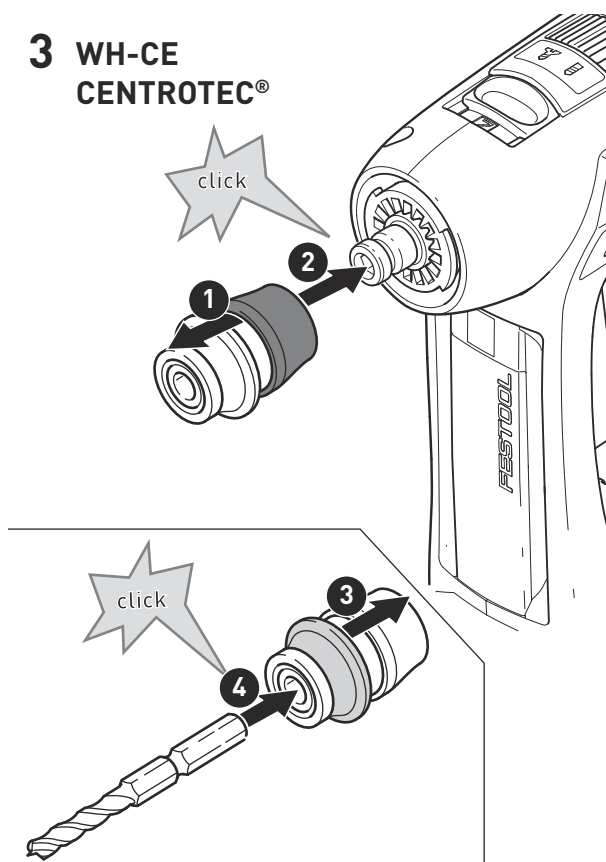
### 10.1 Mandril CENTROTEC [3]

Cambio de herramientas rápido con vástago CENTROTEC



Fijar las herramientas CENTROTEC solo en el mandril CENTROTEC.

### 3 WH-CE CENTROTEC®

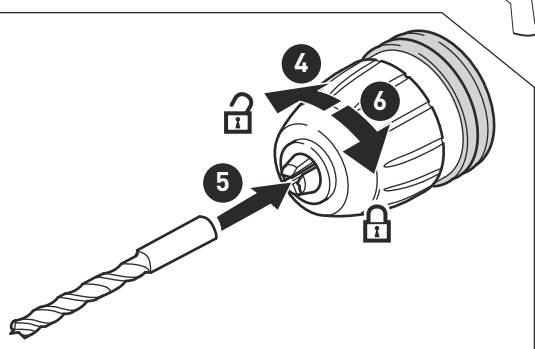
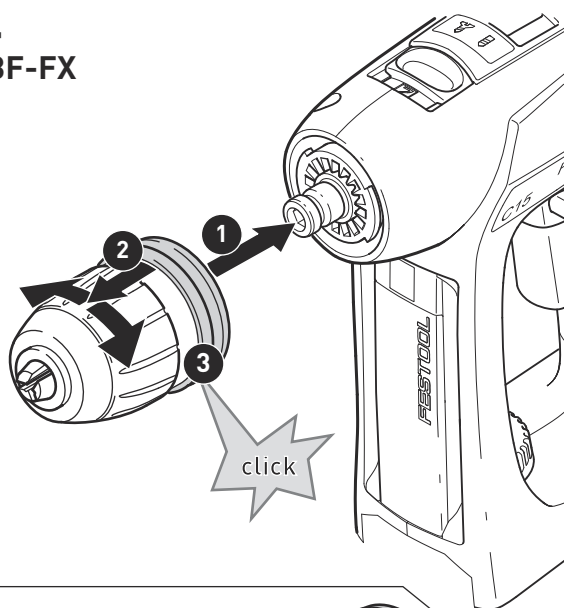


### 10.2 Portabrocas [4]

Para la sujeción de brocas y puntas con un diámetro del vástago máximo de 1/2" (13 mm).

**ADVERTENCIA.** Fijar la herramienta centrada en el portabrocas.

**4**  
**BF-FX**

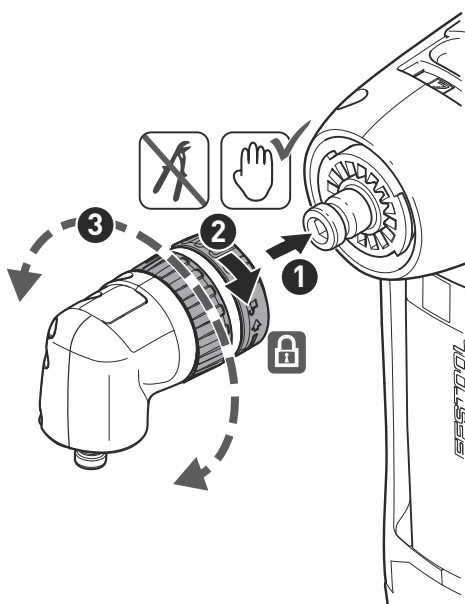


**10.3 Ángulo adicional [5]**

Taladrar y atornillar en ángulo recto respecto a la herramienta eléctrica (accesorio parcial).

**AN-UNI**

**5**

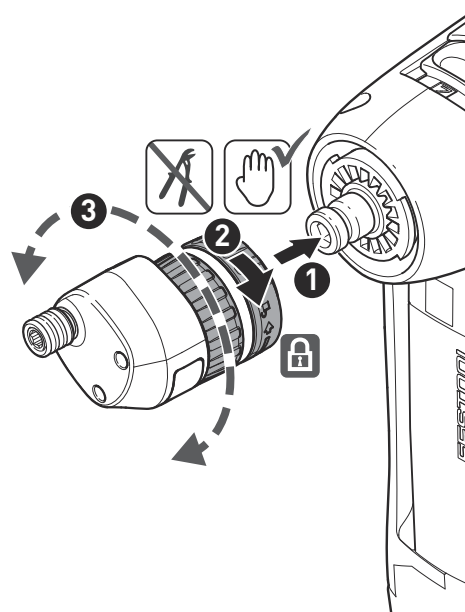


**10.4 Excéntrica adicional [6]**

Atornillar cerca de bordes con puntas acordes con ISO 1173 (accesorio parcial).

**EX-UNI**

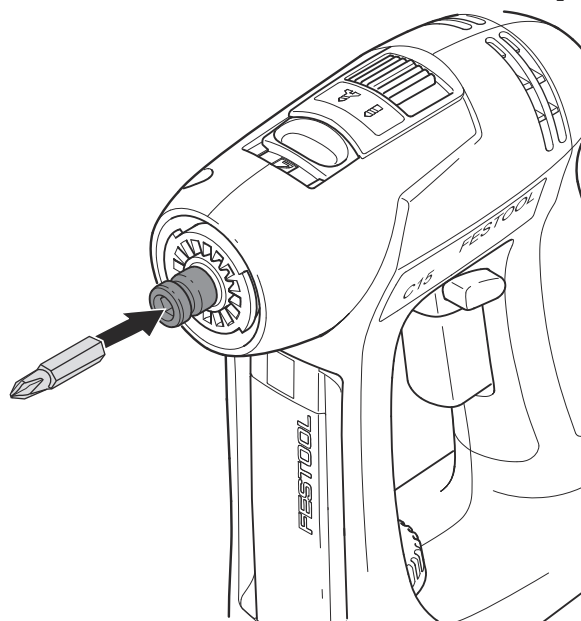
**6**



**10.5 Alojamiento para herramienta en el husillo de taladrar [7]**

Las puntas de destornillador pueden insertarse directamente en el alojamiento hexagonal del husillo de taladrar.

**7**



**11 Trabajo con la máquina**



**ADVERTENCIA**

**Peligro de lesiones**

- Fije la pieza de trabajo siempre de forma que no se pueda mover cuando se trabaje con ella.

**11.1 Depósito de puntas [1-2]**

Magnético, para alojar puntas o adaptadores.



## 11.2 Señales acústicas de advertencia

Las señales acústicas de advertencia se emiten en los siguientes estados de funcionamiento y, seguidamente, la máquina se desconecta:



peep — —

### Batería vacía o máquina sobrecargada.

- Cambie la batería.
- Cargue menos la máquina.



peep peep —

### La máquina se ha sobrecalentado.

- Una vez se haya enfriado la máquina, puede ponerla de nuevo en marcha.



peep peep peep

### La batería de Li-Ion se ha sobrecalentado o es defectuosa.

- Compruebe el funcionamiento de la batería ya enfriada con el cargador.

## 12 Mantenimiento y cuidado



### ADVERTENCIA

#### Peligro de lesiones, electrocución

- Extraiga siempre la batería de la máquina antes de realizar cualquier trabajo de mantenimiento y conservación.



### ADVERTENCIA

#### Cualquier trabajo de mantenimiento o reparación que requiera abrir el motor o la carcasa del engranaje deberá ser realizado únicamente por un Centro de Atención al Cliente (nombre proporcionado por su concesionario).

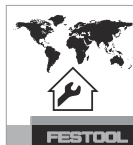
- Los trabajos de mantenimiento o reparación realizados por una persona no autorizada podrían provocar la conexión incorrecta de los conductores de alimentación u otros componentes, lo que a su vez podría provocar accidentes con consecuencias graves.



## PRECAUCIÓN

### Algunos productos de limpieza y disolventes resultan perjudiciales para las piezas de plástico.

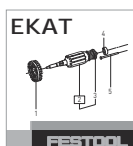
- Algunos de ellos incluyen, entre otros, gasolina, acetona, metiletilacetona (MEK) y oxidocloruro de carbono. Los productos de limpieza normalmente contienen cloro y amoníaco y los productos de limpieza del hogar contienen amoníaco.



FESTOOL

### El servicio de atención al cliente y de reparaciones solo está disponible a través del fabricante o de los talleres de reparación.

Dirección más cercana en: [www.festoolusa.com/service](http://www.festoolusa.com/service)



FESTOOL

Utilizar solo piezas de recambio Festool originales. Referencia en: [www.festoolusa.com/service](http://www.festoolusa.com/service)

Mantenga siempre limpios los puntos de conexión de la herramienta eléctrica, el cargador y la batería.

A fin de garantizar una correcta circulación del aire, las aberturas para el aire de refrigeración dispuestas en la carcasa del motor deben mantenerse libres y limpias.

## 13 Accesorios

Utilice únicamente los accesorios Festool originales y el material de consumo Festool diseñados para esta máquina, puesto que los componentes de este sistema están óptimamente adaptados entre sí. La utilización de accesorios y material de consumo de otros fabricantes puede afectar a la calidad de los resultados de trabajo y conllevar una limitación de los derechos de la garantía. El desgaste de la máquina o de su carga personal puede variar en función de la aplicación. Utilice únicamente accesorios originales y material de consumo de Festool para su propia protección y la de la máquina, así como de los derechos de la garantía.

Los números de pedido para los respectivos accesorios y herramientas se encuentran en su catálogo Festool o en la dirección de Internet "www.festoolusa.com".

### 13.1 SYSTAINER

#### Systainer

Muchos de los productos Festool se entregan en un embalaje exclusivo denominado "Systai-

ner" que sirve de protección a la herramienta y sus complementos, además de facilitar su almacenamiento. Los Systainer pueden apilarse y encajan unos con otros. Además se adaptan sin problema a cualquier aparato de aspiración CT de Festool.

### Para abrir el Systainer



Gire el T-loc **[SYS-b-1]** a esta posición.

### Para cerrar el Systainer



Gire el T-loc **[SYS-b-1]** a esta posición.

### Para encajar dos Systainer

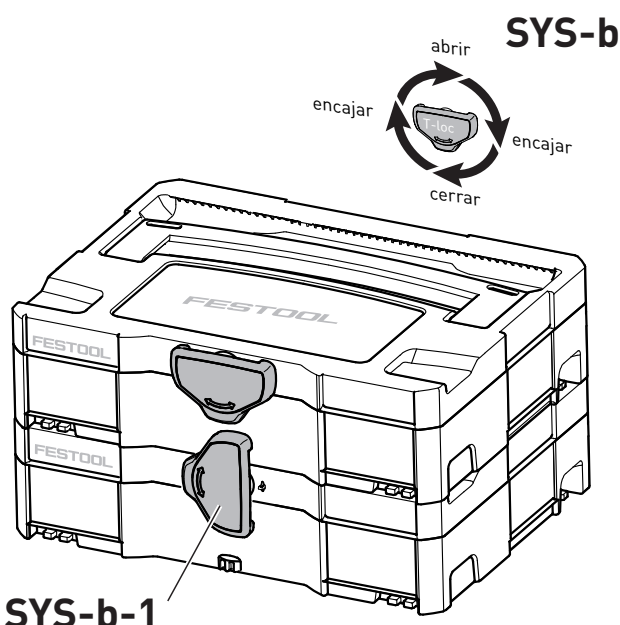
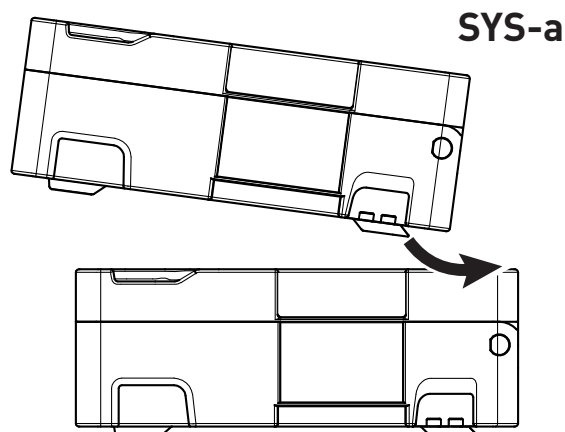
Ponga el Systainer sobre un otro **[SYS-a]**.



Gire el T-loc **[SYS-b-1]** a una de estas posiciones (Fig. **[SYS-b]**).

Los Systainers están encajados y cerrados.

- i** Un Systainer de la nueva generación es encajable encima de un Systainer de la generación anterior con los cuatro enganches del Systainer anterior.



**SYS-b-1**

## 14 Medio ambiente

**No deseches la herramienta junto con los residuos domésticos.** Recicle las herramientas, accesorios y embalajes de forma respetuosa con el medio ambiente. Respete la normativa vigente del país.

### Reciclaje de baterías



#### ADVERTENCIA

##### Riesgo de fuego o daños

- ▶ No intente desarmar la batería ni quitar ninguno de los componentes que sobresalen de las terminales de la batería.
- ▶ Antes de tirarla, proteja las terminales que están al descubierto con cinta adhesiva aislante gruesa para prevenir cortocircuitos.