

Festool Group GmbH & Co. KG  
Wertstraße 20  
73240 Wendlingen  
Germany

# FESTOOL

www.festoolusa.com

## **Instruction manual**

Page 6

**IMPORTANT:** Read all instructions before using.

## **Guide d'utilisation**

Page 22

**IMPORTANT:** Lire toutes les instructions avant de démarrer les travaux.

## **Manual de instrucciones**

Página 39

**IMPORTANTE:** Lea todas las instrucciones antes de usar.

**Instruction manual  
Guide d'utilisation  
Manual de instrucciones**

**DOMINO XL  
DF 700 EQ**

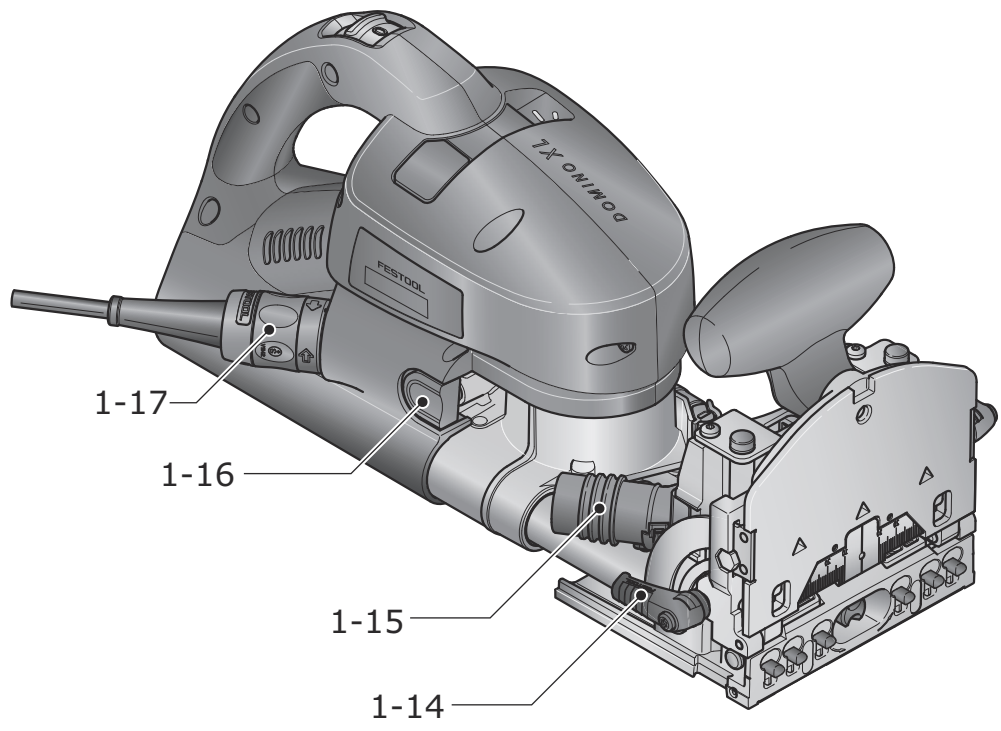
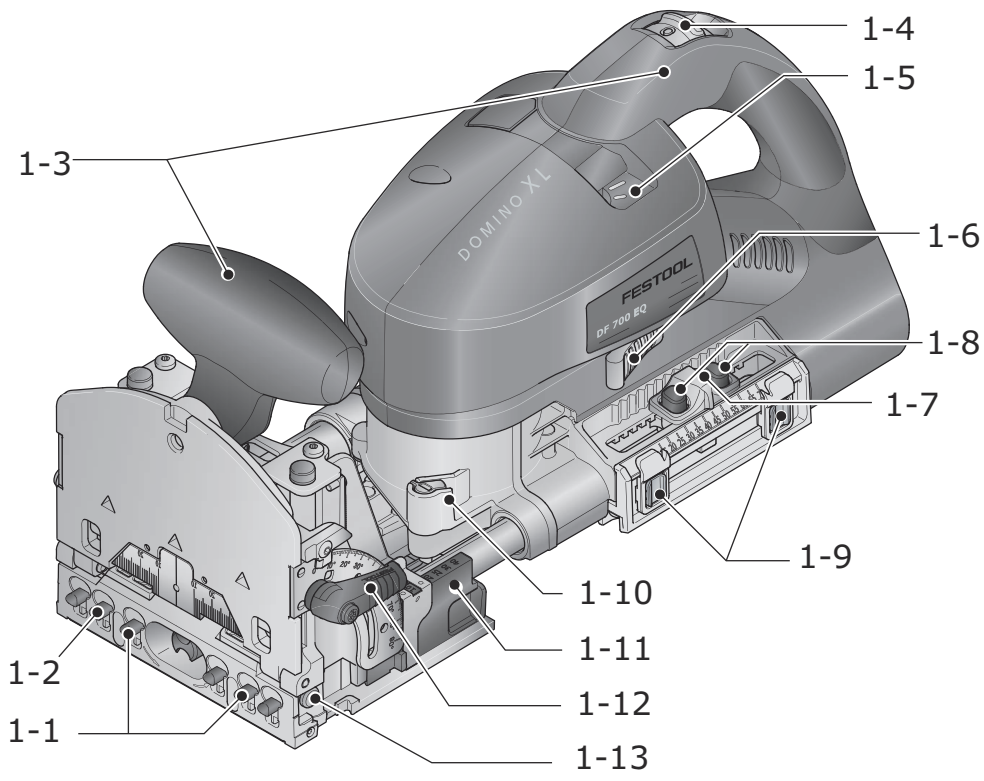


702976\_005






















## Contents

Symbols.....	6
Safety instructions .....	6
General safety instructions .....	6
Technical data .....	8
Intended use .....	8
Functional description .....	9
Electronics .....	9
Settings .....	9
Operation.....	14
Working with the machine .....	16
Service and maintenance .....	17
Troubleshooting .....	19
Accessories .....	19
Environment.....	20
Warranty.....	20


	Diameter
$\text{min}^{-1}$ ;	Revolutions or reciprocation per minute
rpm	
n	speed
$n_{0 \text{ max}}$	maximal no load speed
mm	millimeter
	advise, hint
	Class II Construction
	Warning of general danger
	Risk of electric shock
	Read the Operating Instructions/Notes!
	Wear ear protection.
	Wear a dust mask.
	Wear protective gloves.
	Burning risks from hot surfaces!
	Disconnect from the power supply!

## Symbols

V	Volts
Hz	Hertz
~	Alternating current

## Safety instructions

### General safety instructions

 **WARNING! Read all safety warnings and all instructions.** Failure to follow the warnings and instructions may result in electric shock, fire and/or serious injury.

**Save all warnings and instructions for future reference.**

The term “power tool” in the warnings refers to your mains-operated (corded) power tool or battery-operated (cordless) power tool.

#### 1 WORK AREA SAFETY

- Keep work area clean and well lit.** Cluttered and dark areas invite accidents.
- Do not operate power tools in explosive atmospheres, such as in the presence of flammable liquids, gases or dust.** Power tools create sparks

which may ignite the dust or fumes.

- Keep children and bystanders away while operating a power tool.** Distractions can cause you to lose control.

#### 2 ELECTRICAL SAFETY

- Power tool plugs must match the outlet. Never modify the plug in any way. Do not use any adapter plugs with earthed (grounded) power tools.** Unmodified plugs and matching outlets will reduce risk of electric shock.
- Avoid body contact with earthed or grounded surfaces, such as pipes, radiators, ranges and refrigerators.** There is an increased risk of electric shock if your body is earthed or grounded.
- Do not expose power tools to rain or wet conditions.** Water entering a power tool will increase the risk of electric shock.
- Do not abuse the cord. Never use the cord for**

carrying, pulling or unplugging the power tool. **Keep cord away from heat, oil, sharp edges or moving parts.** Damaged or entangled cords increase the risk of electric shock.

- e. **When operating a power tool outdoors, use an extension cord suitable for outdoor use.** Use of a cord suitable for outdoor use reduces the risk of electric shock.
- f. **If operating a power tool in a damp location is unavoidable, use a residual current device (RCD) protected supply.** Use of an RCD reduces the risk of electric shock.

### 3 PERSONAL SAFETY

- a. **Stay alert, watch what you are doing and use common sense when operating a power tool. Do not use a power tool while you are tired or under the influence of drugs, alcohol or medication.** A moment of inattention while operating power tools may result in serious personal injury.
- b. **Use personal protective equipment. Always wear eye protection.** Protective equipment such as dust mask, non skid safety shoes, hard hat, or hearing protection used for appropriate conditions will reduce personal injuries.
- c. **Prevent unintentional starting. Ensure the switch is in the off-position before connecting to power source and/or battery pack, picking up or carrying the tool.** Carrying power tools with your finger on the switch or energising power tools that have the switch on invites accidents.
- d. **Remove any adjusting key or wrench before turning the power tool on.** A wrench or a key left attached to a rotating part of the power tool may result in personal injury.
- e. **Do not overreach. Keep proper footing and balance at all times.** This enables better control of the power tool in unexpected situations.
- f. **Dress properly. Do not wear loose clothing or jewellery. Keep your hair, clothing and gloves away from moving parts.** Loose clothes, jewellery or long hair can be caught in moving parts.
- g. **If devices are provided for the connection of dust extraction and collection facilities, ensure these are connected and properly used.** Use of dust collection can reduce dust-related hazards.
- h. **Do not let familiarity gained from frequent use of tools allow you to become complacent and ignore, tool safety principles.** A careless action can cause severe injury within a fraction of a second.

### 4 POWER TOOL USE AND CARE

- a. **Do not force the power tool. Use the correct**

**power tool for your application.** The correct power tool will do the job better and safer at the rate for which it was designed.

- b. **Do not use the power tool if the switch does not turn it on and off.** Any power tool that cannot be controlled with the switch is dangerous and must be repaired.
- c. **Disconnect the plug from the power source and/or battery pack from the power tool before making any adjustments, changing accessories, or storing power tools.** Such preventive safety measures reduce the risk of starting the power tool accidentally.
- d. **Store idle power tools out of the reach of children and do not allow persons unfamiliar with the power tool or these instructions to operate the power tool.** Power tools are dangerous in the hands of untrained users.
- e. **Maintain power tools. Check for misalignment or binding of moving parts, breakage of parts and any other condition that may affect the power tool's operation. If damaged, have the power tool repaired before use.** Many accidents are caused by poorly maintained power tools.
- f. **Keep cutting tools sharp and clean.** Properly maintained cutting tools with sharp cutting edges are less likely to bind and are easier to control.
- g. **Use the power tool, accessories and tool bits etc. in accordance with these instructions taking into account the working conditions and the work to be performed.** Use of the power tool for operations different from those intended could result in a hazardous situation.
- h. **Keep handles dry, clean and free from oil and grease.** Slippery handles do not allow for safe handling and control of the tool in unexpected situations.

### 5 SERVICE

- a. **Have your power tool serviced by a qualified repair person using only identical replacement parts.** This will ensure that the safety of the power tool is maintained.

#### Machine-related safety instructions

- **The tools must be rated for at least the speed marked on the power tool.** Tools running over rated speed can fly apart and cause injury.
- **Always use the guard.** The guard protects the operator from broken tool fragments and unintentional contact with the tool.
- **Hold power tool by insulated gripping surfaces, because the cutter may contact its own cord.** Cutting a "live" wire may make exposed metal

parts of the power tool "live" and could give the operator an electric shock.

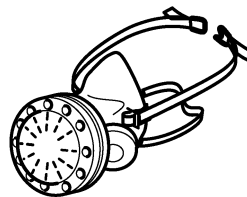
- **Keep hands away from the cutting area.** Never place your hand on the front face of the fence while the tool is running.
- **Only cutters provided by Festool for this purpose may be mounted on the power tool.** The use of other cutters is prohibited due to the increased risk of injury.
- **Never use dull or damaged mortising bits.** Dull or damaged mortising bits can cause the tool to lurch sideways unexpectedly and lead to a loss of control of the power tool.
- **Do not sharpen cutters more than twice.** Resharpener cutters may affect the precision of the cutting results.
- **Do not operate the tool if the spring-loaded fence does not return to its forward rest position.** The fence covers the mortising bit and prevents accidental contact. If the slides of the fence do not move freely, have the tool serviced immediately.
- **Wait until the power tool stops completely until placing it down.** The tool can become entangled and lead to a loss of control of the power tool.

## Health hazard by dust



**WARNING!** Various dust created by power sanding, sawing, grinding, drilling and other construction activities contains chemicals known (to the State of California) to cause cancer, birth defects or other reproductive harm. Some examples of these chemicals are:

- lead from lead-based paints,
- crystalline silica from bricks and cement and other masonry products, and
- arsenic and chromium from chemically treated lumber.



The risk from these exposures varies, depending on how often you do this type of work. To reduce your exposure to these chemicals: work in a well ventilated area, and work with approved safety equipment, such as dust masks that are specially designed to filter out microscopic particles. Wash hands after handling.

approved safety equipment, such as dust masks that are specially designed to filter out microscopic particles. Wash hands after handling.



### WARNING

**TO REDUCE THE RISK OF INJURY, USER MUST READ INSTRUCTION MANUAL.**

## Technical data

Joiner	DF 700 EQ
Power	720 W
Speed (no load) $n_0$	21000 rpm
Routing depth	15 - 70 mm
Routing width, max.	16,5 mm + Ø cutter
Ø cutter, max.	14 mm
Connecting thread of the drive shaft	M8 x 1
Weight (excluding cable)	5,2 kg
Safety class	□ /II

## Intended use

The machine is intended to create DOMINO dowel connections in hard and soft wood, chipboard, plywood and fibreboard. All applications beyond this are regarded as unintended use.

The machine is designed and approved for use by

trained persons or specialists only.



The user is liable for improper or non-intended use.



---

## Functional description

---

The pictures for the functional description are on a fold-out page at the beginning of the instruction manual. When reading of the manual you can fold out this page for having always an overview of the machine.

- [1-1]** Rubber buffer
- [1-2]** Stop pins
- [1-3]** Handles
- [1-4]** On/Off switch
- [1-5]** Display for dowel hole width
- [1-6]** Adjusting lever for dowel hole width
- [1-7]** Slide for routing depth adjustment

- [1-8]** Snap button for routing depth adjustment
- [1-9]** Marker for routing depth adjustment
- [1-10]** Unlocking of motor unit/guide frame
- [1-11]** Selection slide for routing height adjustment
- [1-12]** Clamp lever for routing angle adjustment
- [1-13]** Button for releasing stop pins
- [1-14]** Clamp lever for routing height adjustment
- [1-15]** Extractor connector
- [1-16]** Spindle lock
- [1-17]** Mains power cable

---

## Electronics

---

The machine features full-wave electronics with the following features:

### Smooth start-up

The electronically controlled smooth start-up ensures that the machine starts up jolt-free.

### Constant speed

The motor speed remains constant through electronic control to ensure a uniform cutting speed even when under load.

### Temperature cut-out

The machine power supply is limited and the speed reduced if the motor exceeds a certain tempera-

ture. The machine continues operating at reduced power to allow the ventilator to cool the motor quickly. If the machine temperature exceeds the maximum permitted value for longer periods, the machine switches off completely after approx. 40 seconds and can only be switched on again once the motor has cooled sufficiently.

### Restart protection

The integral restart protection prevents the machine from automatically starting up again after an interruption in power when the machine is used in continuous operating mode. In this case the machine must be switched off and then switched back on again.

---

## Settings

---

### Initial operation



#### WARNING

#### Unauthorised voltage or frequency!

#### Risk of accident

- ▶ The mains voltage and the frequency of the power source must correspond with the specifications on the machine's name plate.
- ▶ In North America, only Festool machines with the voltage specifications 120 V/60 Hz may be used.



#### WARNING

#### Risk of injury, electric shock

- ▶ Always pull the mains plug out of the socket before performing any type of work on the machine!
- ▶ With the joiner unplugged, inspect the mortising bit. Make sure it is not bent, chipped, or otherwise damaged, and make sure the bit is fully

tightened on the spindle (Refer to "Settings - Changing tools").



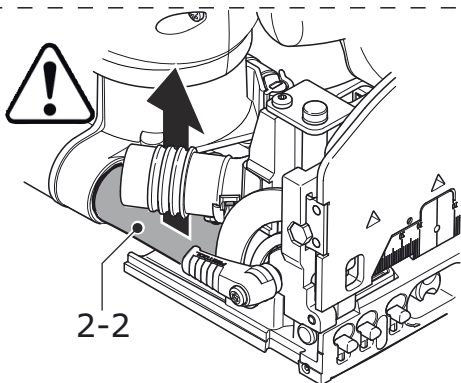
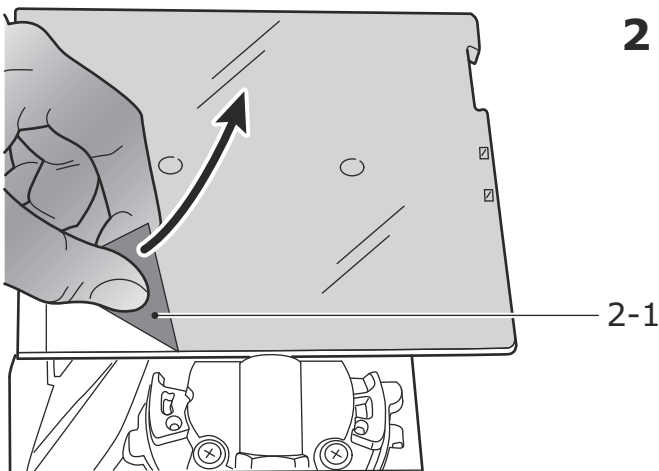
## WARNING

**Mortising bits that are bent or damaged should no longer be used.**

### Risk of injury

- ▶ Check regularly whether the mortising bit is in good condition.

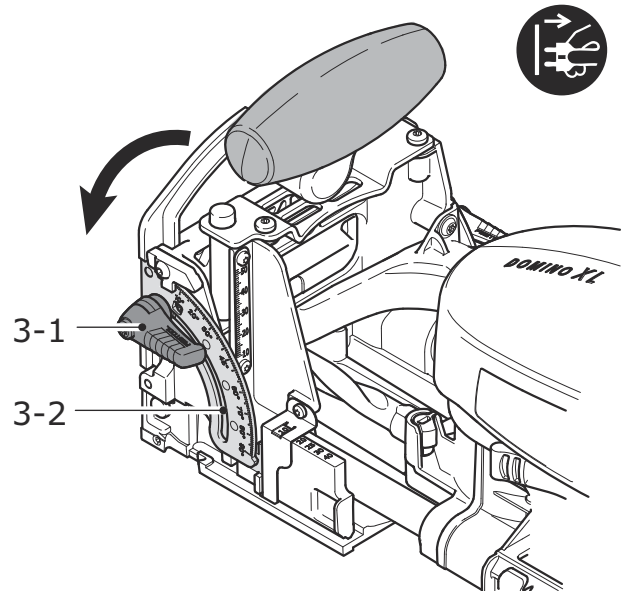
- ▶ Peel off the protective film **[2-1]** from the bottom of the joiner baseplate.
- ▶ Remove the transport safety device **[2-2]**.



- ▶ Set up the joiner for the appropriate type of operation as described throughout the remainder of this section.
- ▶ Make sure that the fence height and angle locking levers are properly tightened.
- ▶ Install the power cord into the Plug-It receptacle on the joiner (Refer to "Operation - Plug it Power Cord").

## Setting the Fence Angle

**3**



Some joints require the fence to be set to an angle from the mortising bit. The most common application is for making a mitered joint.

- ▶ Unplug the joiner for safety.
- ▶ Loosen the clamp lever for the angle adjustment **[3-1]**.
- ▶ Set the desired angle:
  - ▶ using the scale **[3-2]** variable from 0° to 90°.
  - ▶ locking at 0°; 22.5°; 45°; 67.5°; 90°.
- ▶ Close the clamp lever **[3-1]**.



Set the routing height and depth as low as possible when mitre routing as otherwise there is a risk that the cutter will come out the other side.

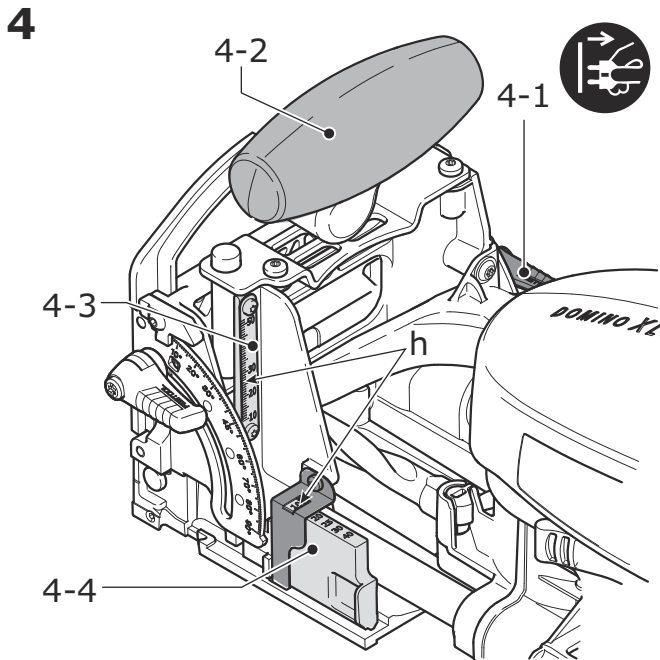
- ① The alignment of the clamp lever **[3-1]** can be aligned by raising the levers. When tightened, the levers should not protrude beyond the contact surface.

## Setting the Fence Height

The height of the fence needs to be adjusted depending on the type of joint being made and the thickness of the material being joined. The height h

is the distance between the bottom of the fence face and the centerline of the mortising bit.

There are two features available for setting the fence height:



#### a) with selection slide

- ▶ Loosen the clamp lever for the routing height adjustment [4-1].
- ▶ Using the front handle [4-2] raise the front part of the guide frame.
- ▶ Use the selection switch to set [4-4] the desired routing height  $h$  (10 mm; 15 mm; 20 mm; 25 mm; 30 mm; 40 mm).
- ▶ Press the front section of the guide frame downwards as far as the stop.
- ▶ Close the clamp lever [4-1].

#### b) freely selectable

- ▶ Loosen the clamp lever for the routing height adjustment [4-1].
  - ▶ Using the front handle [4-2] raise the front section of the guide frame.
  - ▶ Pull the selection slide [4-4] as far as the stop in the direction of the motor unit.
  - ▶ Set the desired routing height  $h$  using the scale [4-3] by moving the front section of the guide frame vertically.
  - ▶ Close the clamp lever [4-1].
- ⓘ The alignment of the clamp lever [4-1] can be aligned by raising the levers. When tightened, the levers should not protrude beyond the contact surface.

### Setting the Mortise Width

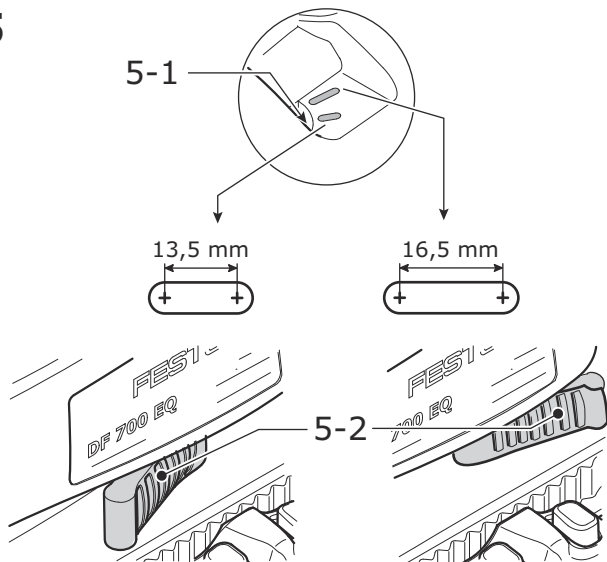


#### CAUTION

#### Damage to the tool; bend or break the mortising bit

- ▶ Never force the lever to turn.
- ▶ Never rotate the lever during a plunging operation.

5



Use the adjusting lever **[5-2]** to adjust the width of the dowel hole you intend to cut for an adequate fit or set with 3 mm play:

- Tight fitting dowel    13.5 mm + cutter diameter
- Dowel with lateral    16.5 mm + cutter diameter play

You can see on the display **[5-1]** what dowel hole width is selected.

### Setting the Mortise Depth

The mortising depth determines how deep into the workpiece the mortising bit penetrates. This needs to be adjusted for different sized tenons.

In most cases, the tenon should be centered across the joint, and the depth of the mortise should be 1/2 the length of the tenon. However, in some cases you may want to have more of the tenon in one piece than the other. In this case, the sum of the two depths must equal the length of the tenon.

**WARNING**

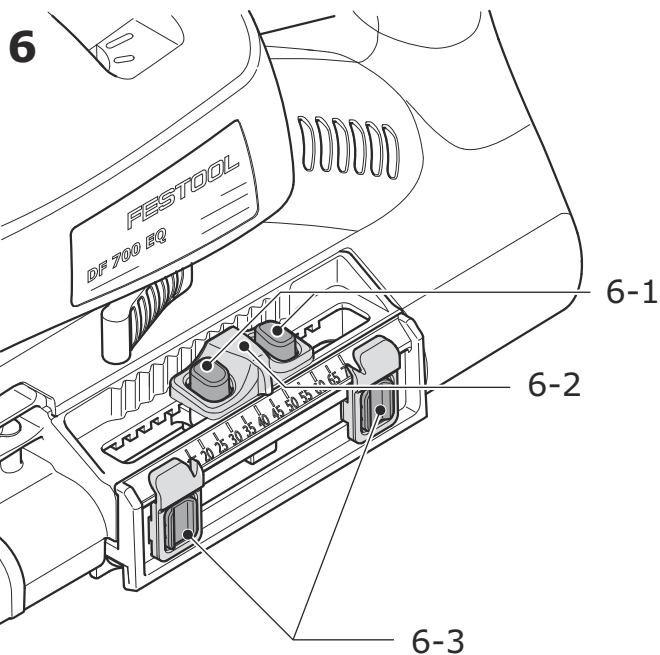
**Cutter can come out at the rear side of the workpiece.**

**Risk of injury**

- ▶ Set the routing depth at least 5 mm less than the workpiece thickness.

- ▶ Press one or two snap buttons **[6-1]**.
  - ▶ Set the slide for the routing depth setting **[6-2]** to the desired routing depth (15 - 70 mm).
  - ▶ Release the snap buttons **[6-1]**.
- ⓘ With the two markers **[6-3]**, you can mark two routing depths and switch easily between them

using the slide **[6-2]** (e.g. for asymmetric DOMINO dowel depth distribution).



### Changing tools

Different mortising bits are available for a variety of Domino tenon sizes. The DF 700 EQ comes equipped with a 12 mm bit, and 8, 10 and 14 mm bits are available as an option.

**WARNING**

**Risk of injury, electric shock**

- ▶ Always pull the mains plug out of the socket before performing any type of work on the machine!

**CAUTION**

**Hot and sharp tools**

**Risk of injury**

- ▶ Wear protective gloves.

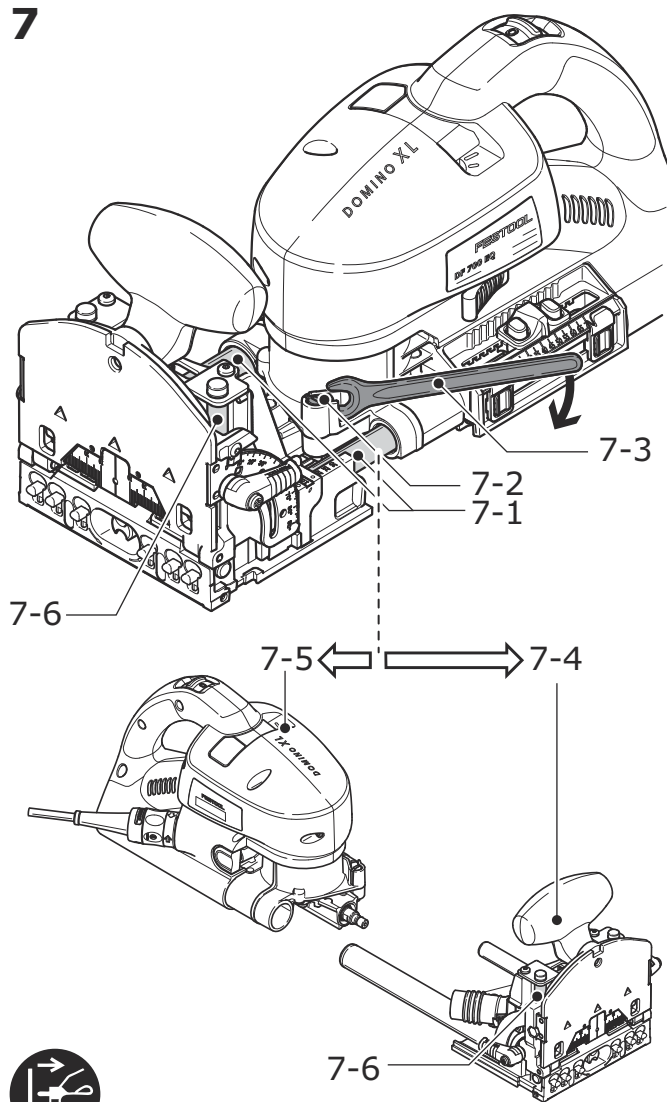
**WARNING**

**Risk of injury**

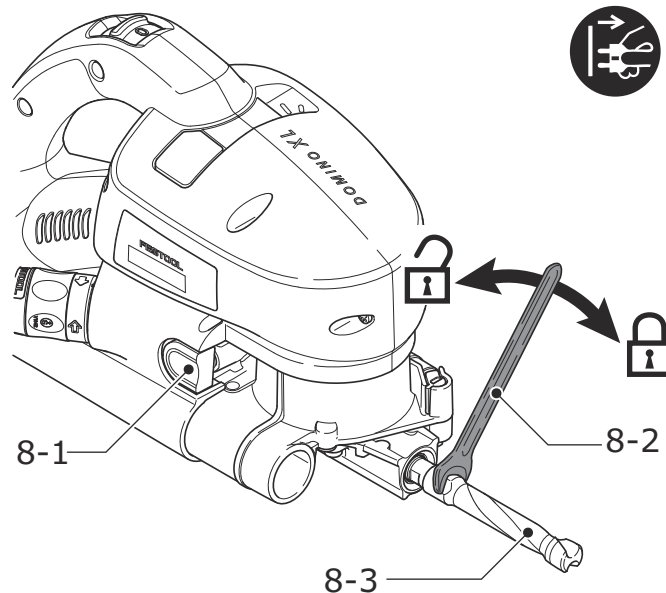
- ▶ Never use dull or damaged mortising bits.
- ▶ Only mortising bits provided by Festool for this purpose may be mounted on the power tool.
- ▶ Do not resharpen mortising bits more than twice.

## Removing the tool

7



- ▶ Lift the unlocking device **[7-2]** until it audibly disengages using the open-ended spanner **[7-3]** supplied (SW 12).
- ▶ Separate the motor unit **[7-5]** from the guide frame **[7-4]**.
- ▶ Press and hold the spindle lock **[8-1]**.
- ▶ Loosen the cutter **[8-3]** using the open-ended spanner **[8-2]** and remove.
- ▶ Release the spindle lock **[8-1]**.



8

## Inserting the tool



### WARNING

#### Risk of injury

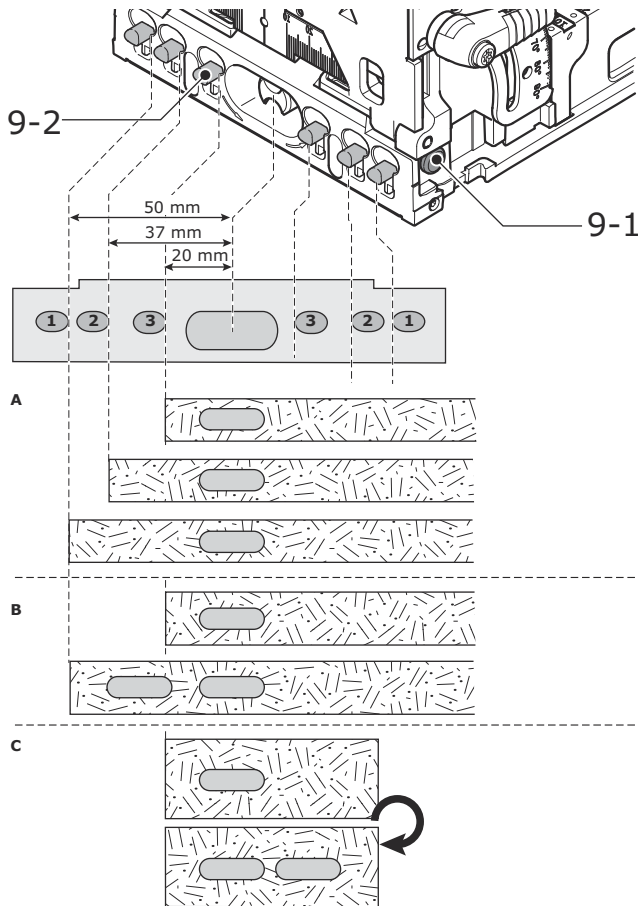
- ▶ Before inserting a new cutter ensure that the machine, the guide frame and the guides **[7-1]** and **[7-6]** are clean.
- ▶ Remove any contamination that may be present.
- ▶ Only use sharp, undamaged and clean tools.
- ▶ Press and hold the spindle lock **[8-1]**.
- ▶ Use the open-ended spanner **[8-2]** to screw on the cutter **[8-3]**.
- ▶ Release the spindle lock **[8-1]**.
- ▶ Slide the guide frame **[7-4]** onto the motor unit **[7-5]** until it audibly engages.

## Setting stop pins

The stop pins on the front of the fence are used to register the tool against the edge of the workpiece. This provides rapid and precise placement of the tool on the workpiece.

Six stop pins **[9-2]** are available on the stop side of the DOMINO joining machine.

Stop pins that are not required can be individually engaged by exerting overpressure and released using the button **[9-1]**.



These serve as spacers to the cutter centre and can be inserted at different locations - see image **[9]**:

- A Three possible spacings to a supply side (1 - 2 - 3)

---

- B Two dowel holes beside each other from a supply side (1 - 3)

---

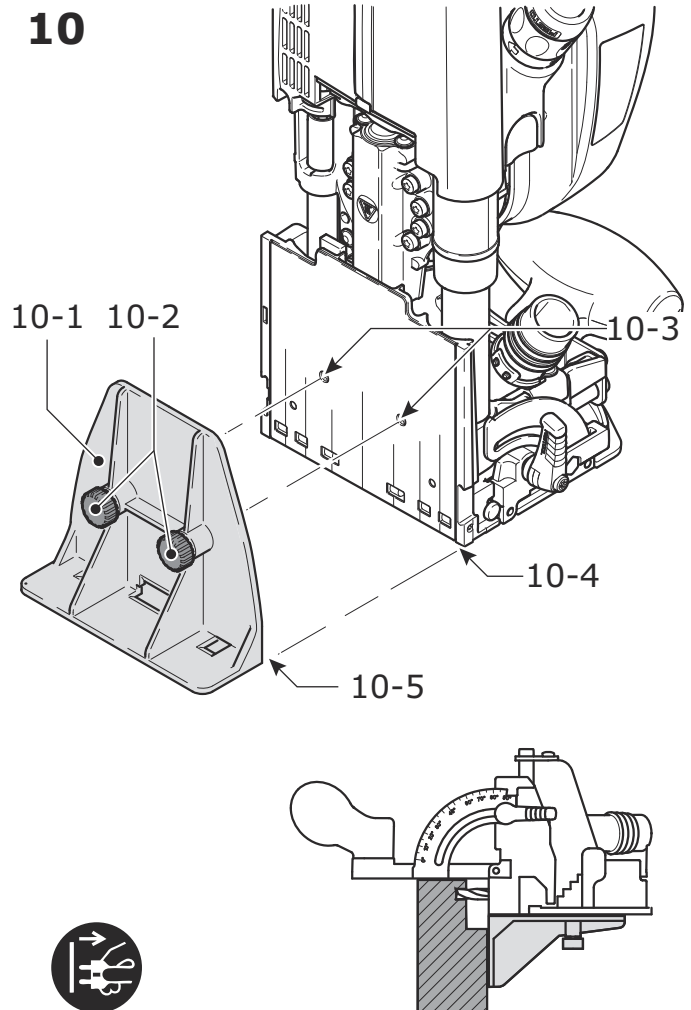
- C Two dowel holes by changing the workpiece, e.g. for cross-section cut.

## Widening the contact surface

The contact surface widening device **[10-1]** can be used to enlarge the contact surface when routing on the workpiece edge, thus allowing safer guidance of the machine.

- ▶ Secure the contact surface widening device using the two screws **[10-2]** on the threaded holes **[10-3]** of the guide frame.

*The contact surfaces of the contact surface widening device **[10-5]** and the table **[10-4]** must be level.*




## Operation

- ⚠ Please observe all mentioned safety informations and the following rules when working:
  - Always secure the workpiece in such a manner that it cannot move while being processed.

- Always hold the machine with two hands on the handles **[1-3]** when performing work. This reduces the risk of injury and is a prerequisite for precise work.

- Close the clamp lever for routing height adjustment [1-14] and the clamp lever for angle adjustment [1-12] to avoid unintentional loosening during operation.
- Adapt the feed rate to the cutter diameter and material. Work with a constant feed rate
- Only lay the machine aside when the cutter has come to a complete standstill.
- Always connect the machine to a dust extractor.

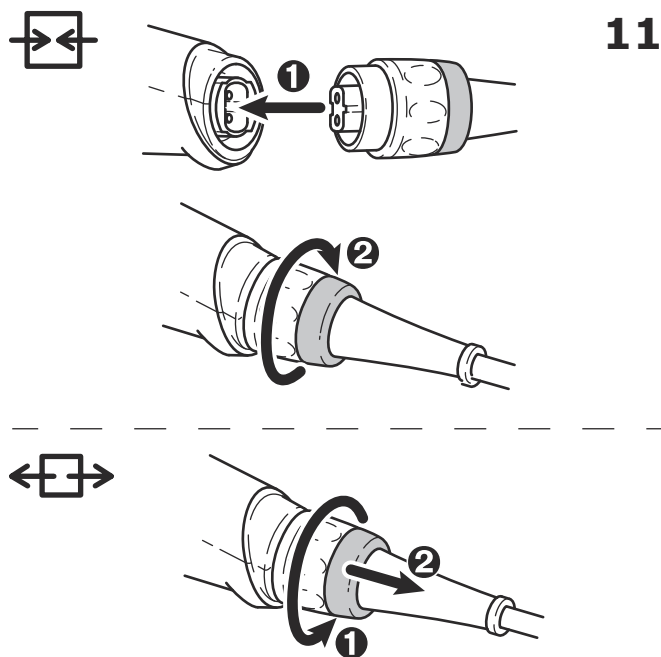
 For work that generates dust, wear a dust mask.

### Plug it Power Cord

The Power Tool comes equipped with a removable plug it power cord.

To install the power cord, insert the cord into the inlet on the tool with the key and keyway aligned, and twist the black locking ring.

Reverse the procedure to remove the cord.



### Switch on/off



#### WARNING

##### Risk of injury

- ▶ Never turn the tool on when the Fence Body is removed, as this exposes the spinning cutter.
- ▶ Before turning the tool on, make sure all adjustment handles are locked and the tool is safe to turn on.

The switch [1-4] is an on/off switch (I = ON, 0 = OFF).

### Extension Cord

If an extension cord is required, it must have sufficient cross-section to prevent an excessive drop in voltage or overheating. An excessive drop in voltage reduces the output and can lead to failure of the motor. The table below shows you the correct cord diameter as a function of the cord length for this tool.

Total Extension Cord Length (feet)	25	50	100	150
Cable size (AWG)	18	16	16	14

Use only U.L. and CSA listed extension cords.

Never use two extension cords together. Instead, use one long one.

ⓘ The lower the AWG number, the stronger the cord.

### Dust extraction



#### WARNING

##### Dust hazard

- ▶ Dust can be hazardous to health. Always work with a dust extractor.
- ▶ Always read applicable national regulations before extracting hazardous dust.

At the extractor connector [1-15], a Festool mobile dust extractor with an extraction hose diameter of 27 mm can be connected.

ⓘ Always work with a dust extractor for safety and quality reasons.

## Overview, General Notes and Tips

- ① **We recommend** routing and joining a test workpiece before machining the actual workpiece.

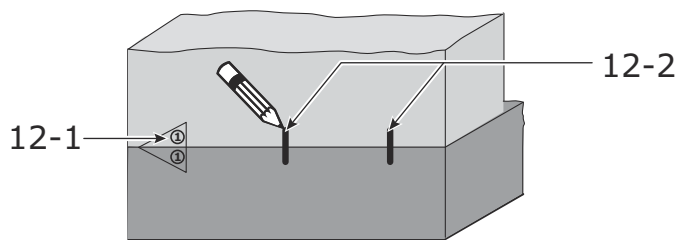
Wood is a natural, non-homogenous material and because of this, its dimensions will most likely deviate slightly during processing, even if the machine is set accurately. Machine handling also influence the degree of working accuracy (e.g. fast-feed speed). Furthermore, the dimensions of wooden DOMINOs may vary (for example, due to humidity), regardless of how they are stored. All of these factors influence the dimensional accuracy of manufactured dowel holes and dowelling joints.

### Creating the DOMINO connection

Proceed as follows to create a DOMINO dowelling joint:

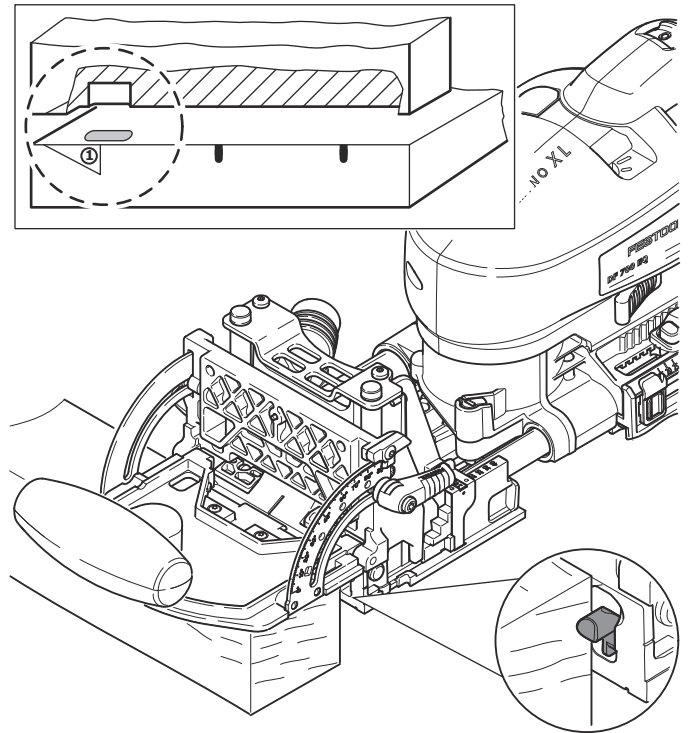
see page

- |   |    |
|---|----|
| 1. Select a DOMINO dowel and insert the suitable bit into the DOMINO joining machine.   | 12 |
| 2. Set the routing depth.   | 12 |
| 3. Set the routing height.  | 10 |
| 4. Adjust the routing angle if necessary.   | 10 |
| 5. Mark the areas on the workpieces that belong together <b>[12-1]</b> so that you will be able to join them correctly again once you have cut the dowel holes. |    |



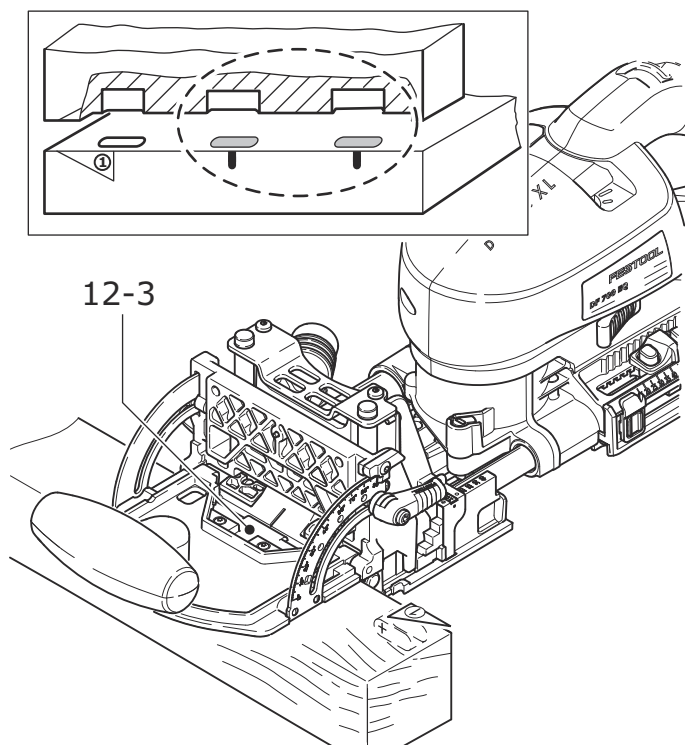
- |   |    |
|---|----|
| 6. Position the two workpieces to be joined against one another and mark the desired positions of the DOMINO dowels with a pencil <b>[12-2]</b> . |    |
| 6. Select the required stop pins.   | 14 |
| 7. Set the desired dowel hole width (adequate fit or with 3 mm play).   | 11 |

see page



- |  |  |
|--|--|
| 8. Cutting the dowel holes <b>[12]</b> :   |  |
| – The first dowel hole by attaching the stop pin to the side edge of the workpiece.  |  |
| – The following dowel holes according to the previously made pencil markings and the scale of the vision panel <b>[12-3]</b> . |  |





**Our recommendation:** Please check each dowel hole for chippings and clear these if necessary.

Always work with a dust extractor to improve the removal of chippings.

Route the first hole for each workpiece without play (dowel hole width = DOMINO dowel width) and the other dowel holes with the large dowel hole width.

## Service and maintenance



### WARNING

**Any maintenance or repair work that requires opening of the motor or gear housing should only be carried out by an authorised Customer Service Centre (name supplied by your dealer)!**

- ▶ Maintenance or repair work carried out by an unauthorised person can lead to the wrong connection of the power cord or other components, which in turn can lead to accidents with serious consequences.



### WARNING

**To prevent accidents, always remove the plug from the power supply socket before carrying out any maintenance or repair work on the tool!**

- ▶ Do not use compressed air to clean the electrical tool! Do not try to clean parts inside the tool in this way, as you could let foreign objects in through the openings of the tool housing.



## CAUTION

### **Certain cleaning agents and solvents are harmful to plastic parts.**

- ▶ Some of these include, but are not limited to: Gasoline, Acetone, Methyl Ethyl Ketone (MEK), Carbonyl Chloride, cleaning solutions containing Chlorine, Ammonia, and household cleaners containing Ammonia.

The machine is equipped with special carbon brushes. If they are worn, the power is interrupted automatically and the machine comes to a standstill.

- ① We recommend an annual inspection and/or a check after approx. 100 operating hours at an authorised customer service workshop. This is for the safety of the user and the value stability of the power tool.

### **Routine Maintenance**

The Domino tenon joiner does not require much routine maintenance except for cleaning. For best performance and long life of the Domino tenon joiner, keep the machine clean.

- ▶ To ensure constant air circulation, always keep the cooling air openings in the housing clean and free of blockages.
- ▶ Always use the Power Tool with a dust collection system.
- ▶ Periodically inspect the tool for damage, wear, or dullness. Re-sharpen or replace the tool as necessary.
- ▶ Never attempt to sharpen the tools yourself. The tools should be sharpened only by a qualified sharpening service.
- ▶ For best results, only the tip of the bit should be ground, not the sides.
- ▶ The maximum tip material removal from sharpening before the bit must be replaced is approx-

imately 1mm. Any more than this and the bit will be too short for proper fit of the tenons.

### **Cleaning and maintenance**

- ▶ Blow off the exterior of the machine with low-pressure compressed air to remove dust, but do not blow air directly into the air cooling vents on the back of the motor as this can drive debris into the motor.
- ▶ Blow out impacted dust from the tool area.
- ▶ Do not remove the fence body from the motor housing when the joiner is coated with dust.
- ▶ With the exterior of the joiner free from dust, remove the fence body from the motor housing and clean the linear slides:
  - ▶ With a soft cotton cloth, wipe down the linear rails.
  - ▶ With compressed air, blow out any dust from inside the linear bores.
  - ▶ With a soft cotton cloth, wipe down the interior of the bronze linear bearings.
- ▶ Clean the guides **[7-1]** and **[7-6]** of dust deposits.
- ▶ Oil the guides regularly and lightly with resin-free oil (e.g. sewing machine oil).
- ▶ Never store the joiner with the fence body separated from the motor housing, as this can permit dust and debris to enter the linear slide.

## Troubleshooting

Fault	Cause	Solution
Burns	Blunt cutter	Use sharp cutter
Dowel hole too narrow. DOMINO dowel cannot be jointed.	a. Blunt cutter b. Deposits (e.g. chippings in the dowel hole)	a. Use sharp cutter b. Remove deposit and work with dust extractor
Widening of the dowel hole with 8 mm cutter	Routing depth too large (larger than 50 mm)	Reduce routing depth (max.50 mm)
Splinters at edge of dowel hole	Excessive feed rate	Reduce feed rate
Dowel hole not parallel to work-piece edge	Workpiece has shifted during processing	Secure workpiece properly
Tool cannot be loosened during tool change	Spindle lock not functioning	Twist spindle against the tool using an open-ended spanner. If this occurs several times contact the after-sales service department.
The positions of the dowel holes which are created with one of the left and one of the right stop pins do not match precisely.	The stop pins are selected different on the right and left.	Select the same stop pins on the left and the right.
DOMINO joining machine operates irregularly, jerks	a. No dust extractor connected b. Rubber buffer <b>[1-1]</b> worn	a. Connect dust extractor b. Replace rubber buffer (spare part)

## Accessories

Use only original Festool accessories and Festool consumable material intended for this machine because these components are designed specifically for the machine. Using accessories and consumable material from other suppliers will most likely affect the quality of your working results and limit any warranty claims. Machine wear or your own personal workload may increase depending on the application. Protect yourself and your machine, and preserve your warranty claims by always using original Festool accessories and Festool consumable material!

The order numbers of the accessories and tools can be found in the Festool catalogue or on the Internet under "www.festoolusa.com".

### Special accessories for DOMINO joining machine

Festool provides comprehensive accessories which allow you to use your machine effectively and for diverse applications, e.g.:

- Handrail fence RA-DF 500/700
- Cross stop QA-DF 500/700
- Stopper LA-DF 500/700

Assembly instructions are included at the end of the operating manual.

### Systainer

Many Festool products are shipped in a unique system container, called "Systainer". This provides protection and storage for the tool and accessories. The Systainers are stackable and can be interlocked together. They also can be interlocked atop Festool CT dust extractors.

### To open the Systainer



Turn the T-loc **[13-1]** to this position.

## To lock the Systainer



Turn the T-loc **[13-1]** to this position.

13

## To connect two Systainers

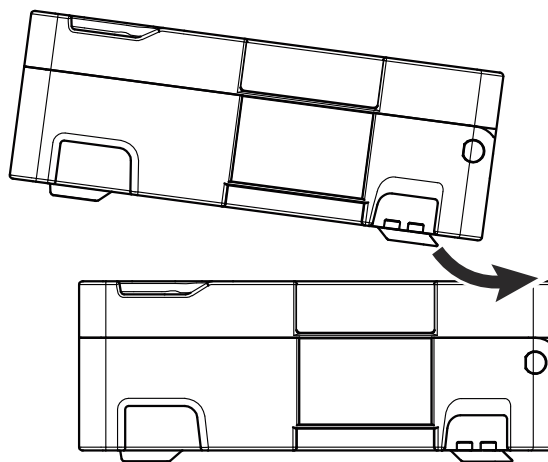
Place one Systainer on the top of the other (Fig. **[13 A]**).



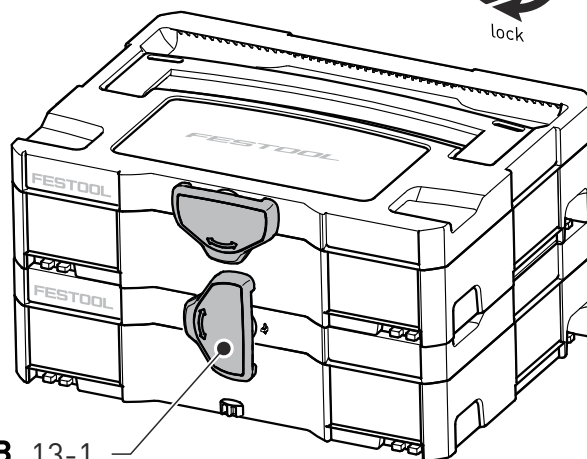
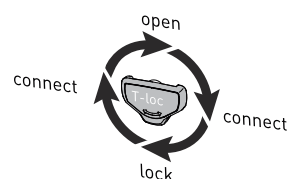
Turn the T-loc **[13-1]** to one of this positions (Fig. **[13 B]**).

The Systainers are connected and locked.

ⓘ A new generation Systainer is connectable on top of a previous generation Systainer by the four latches of the previous Systainer.



A



B 13-1

---

## Environment

**Do not throw the power tool in your household waste!** Dispose of machines, accessories and

packaging at an environmentally responsible recycling centre. Observe the valid national regulations.

---

## Warranty

### Garantie 1 + 2

Festool offers a 3 year limited warranty, one of the strongest in the industry. This warranty is valid on the pre-condition that the tool is used and operated in compliance with the Festool operating instructions. Festool warrants that the specified tool will be free from defects in materials and workmanship for a term of 3 years from the date of purchase.

### Conditions of 1 + 2 warranty

All customers receive a free extended limited warranty (1 year + 2 years = 3 Years) on new Festool

power tools purchased from an authorized retailer. Festool is responsible for all shipping costs during the first year of the warranty. During the second and third year of the warranty the customer is responsible for shipping the tool to Festool. Festool will pay for return shipping to the customer using UPS Ground Service. All warranty service is valid 3 years from the date of purchase on your receipt or invoice. Proof of purchase may be required.

**Excluded from the coverage under this warranty are:** normal wear and tear, damages caused by misuse, abuse, or neglect; damage caused by any-

thing other than defects in material and workmanship. This warranty does not apply to accessory items such as circular saw blades, drill bits, router bits, jigsaw blades, sanding belts, and grinding wheels. Operating a tool at a voltage or frequency different from the tool's rating will void the warranty. This includes the usage of the tool in combination with a transformer. Festool does not condone nor support the use of any non-Festool engineered, designed, and manufactured accessories or consumables with Festool products. Use of any non-Festool products may affect performance or void the warranty. Festool is not responsible for any damages or losses incurred and user assumes all risk and responsibility with non-Festool derived products. Also excluded are "wearing parts," such as carbon brushes, lamellas of air tools, rubber collars and seals, sanding discs and pads, and Festool gear (hats and shirts).

The obligations of Festool in its sole discretion under this warranty shall be limited to repair or replacement or a refund of the purchase price for any Festool portable power tool that is found to have a defect in materials or workmanship during the warranty period. FESTOOL SHALL NOT BE LIABLE FOR ANY CONSEQUENTIAL, INCIDENTAL OR SPECIAL DAMAGES REGARDLESS OF THE THEORY OF LAW ON WHICH THE CLAIM IS BASED. ALL WARRANTIES IMPLIED BY STATE LAW, INCLUDING THE IMPLIED WARRANTIES OR MERCHANTABILITY


AND FITNESS FOR A PARTICULAR PURPOSE ARE HEREBY LIMITED TO THE DURATION OF THREE YEARS.

Some states in the U.S. and some Canadian provinces do not allow the limitations on how long an implied warranty lasts, so the above limitation may not apply to you. This warranty gives you specific legal rights, and you may also have other rights that vary from state to state in the U.S. and from province to province in Canada.

With the exception of any warranties implied by state or province law as limited above, the foregoing express limited warranty is exclusive and in lieu of all other warranties, guarantees, agreements, and similar obligations of Festool. Festool makes no other warranty, express or implied, for Festool portable power tools. This warranty policy is only valid for tools that are purchased in the US and Canada. Warranty policies of other countries may vary when obtaining warranty service outside the US and Canada. Some countries do exclude warranty for products bought outside their territory. Festool reserves the right to reject the repair of any tool that is not part of the US/Canada product line. No agent, representative, distributor, dealer, or employee of Festool has the authority to increase or otherwise change the obligations or limitations of this warranty.

## Sommaire

Symboles.....	22
Consignes de sécurité .....	22
Caractéristiques techniques.....	25
Utilisation en conformité avec les instructions.....	25
Description fonctionnelle.....	25
Régulation électronique .....	26
Réglages .....	26
Mise en service .....	31
Travail avec la machine .....	32
Entretien et maintenance .....	34
Elimination des défauts .....	35
Accessoires .....	36
Environnement.....	37
Garantie.....	37


	diamètre
	nombre de tours par minute
	
	Vitesse de rotation
	Vitesse de rotation max
	millimètre
	Remarque
	Classe de protection II
	Avertissement de danger général
	Risque d'électrocution
	Lire les instructions / les remarques !
	Portez des protège-oreilles!
	Porter une protection respiratoire !
	Porter des gants de protection !
	Débrancher la fiche secteur !
	Avertissement contre les surfaces chaudes !

## Symboles

V	Volts
Hz	hertz
A	Ampères
~	courant alternatif

## Consignes de sécurité

### Consignes de sécurité d'ordre général

 **ATTENTION ! Lire toutes les consignes de sécurité et indications.** Le non-respect des avertissements et instructions indiqués ci-après peut entraîner un choc électrique, un incendie et/ou de graves blessures.

**Conserver tous les avertissements et toutes les instructions pour pouvoir s'y reporter ultérieurement.**

Le terme " outil " dans les avertissements fait référence à votre outil électrique alimenté par le secteur (avec cordon d'alimentation) ou votre outil fonctionnant sur batterie (sans cordon d'alimentation).

#### 1 PLACE DE TRAVAIL

a. **Maintenez l'endroit de travail propre et bien éclairé.** Un lieu de travail en désordre ou mal

éclairé augmente le risque d'accidents.

- b. **N'utilisez pas l'appareil dans un environnement présentant des risques d'explosion et où se trouvent des liquides, des gaz ou poussières inflammables.** Les outils électroportatifs génèrent des étincelles risquant d'enflammer les poussières ou les vapeurs.
- c. **Tenez les enfants et autres personnes éloignés durant l'utilisation de l'outil électroportatif.** En cas d'inattention vous risquez de perdre le contrôle sur l'appareil.

#### 2 SECURITE RELATIVE AU SYSTEME ELECTRIQUE

- a. **La fiche de secteur de l'outil électroportatif doit être appropriée à la prise de courant. Ne modifiez en aucun cas la fiche. N'utilisez pas de fiches d'adaptateur avec des appareils avec mise à la terre.** Les fiches non modifiées et les prises de courant appropriées réduisent le risque

de choc électrique.

- b. **Évitez le contact physique avec des surfaces mises à la terre tels que tuyaux, radiateurs, fours et réfrigérateurs.** Il y a un risque élevé de choc électrique au cas où votre corps serait relié à la terre.
- c. **N'exposez pas l'outil électroportatif à la pluie ou à l'humidité.** La pénétration d'eau dans un outil électroportatif augmente le risque d'un choc électrique.
- d. **N'utilisez pas le câble à d'autres fins que celles prévues, n'utilisez pas le câble pour porter l'appareil ou pour l'accrocher ou encore pour le débrancher de la prise de courant. Maintenez le câble éloigné des sources de chaleur, des parties grasses, des bords tranchants ou des parties de l'appareil en rotation.** Un câble endommagé ou torsadé augmente le risque d'un choc électrique.
- e. **Au cas où vous utiliseriez l'outil électroportatif à l'extérieur, utilisez une rallonge autorisée homologuée pour les applications extérieures.** L'utilisation d'une rallonge électrique homologuée pour les applications extérieures réduit le risque d'un choc électrique.
- f. **Si l'usage d'un outil dans un emplacement humide est inévitable, utiliser une alimentation protégée par un dispositif à courant différentiel résiduel (RCD).** L'usage d'un RCD réduit le risque de choc électrique.

### 3 SECURITE DES PERSONNES

- a. **Restez vigilant, surveillez ce que vous faites. Faites preuve de bon en utilisant l'outil électroportatif. N'utilisez pas l'appareil lorsque vous êtes fatigué ou après avoir consommé de l'alcool, des drogues ou avoir pris des médicaments.** Un moment d'inattention lors de l'utilisation de l'appareil peut entraîner de graves blessures sur les personnes.
- b. **Portez des équipements de protection. Portez toujours des lunettes de protection.** Le fait de porter des équipements de protection personnels tels que masque anti-poussières, chaussures de sécurité antidérapantes, casque de protection ou protection acoustique suivant le travail à effectuer, réduit le risque de blessures.
- c. **Évitez une mise en service par mégarde. Assurez-vous que l'interrupteur est effectivement en position d'arrêt avant de retirer la fiche de la prise de courant.** Le fait de porter l'appareil avec le doigt sur l'interrupteur ou de brancher l'appareil sur la source de courant lorsque l'interrupteur est en position de fonctionnement, peut

entraîner des accidents.

- d. **Enlevez tout outil de réglage ou toute clé avant de mettre l'appareil en fonctionnement.** Une clé ou un outil se trouvant sur une partie en rotation peut causer des blessures.
- e. **Ne surestimez pas vos capacités. Veillez à garder toujours une position stable et équilibrée.** Ceci vous permet de mieux contrôler l'appareil dans des situations inattendues.
- f. **Portez des vêtements appropriés. Ne portez pas de vêtements amples, ni de bijoux. Gardez les cheveux et les vêtements à distance des pièces mobiles.** Des vêtements amples, des bijoux ou des cheveux longs peuvent être happés par les pièces en mouvement.
- g. **Si des dispositifs servant à aspirer ou à recueillir les poussières doivent être utilisés, vérifiez que ceux-ci soient effectivement raccordés et qu'ils sont correctement utilisés.** L'utilisation de tels dispositifs réduit les dangers dus aux poussières.
- h. **Ne devenez pas trop sûr de vous, par habitude suite à une utilisation fréquente de l'appareil, de manière à ne pas respecter les principes de sécurité de base de l'appareil.** Une action imprudente peut occasionner de graves blessures en l'espace d'une fraction de seconde.

### 4 UTILISATION ET EMPLOI SOIGNEUX DE L'OUTIL ELECTROPORTATIF

- a. **Ne surchargez pas l'appareil. Utilisez l'outil électroportatif approprié au travail à effectuer.** Avec l'outil électroportatif approprié, vous travaillerez mieux et avec plus de sécurité à la vitesse pour laquelle il est prévu.
- b. **N'utilisez pas un outil électroportatif dont l'interrupteur est défectueux.** Un outil électroportatif qui ne peut plus être mis en ou hors fonctionnement est dangereux et doit être réparé.
- c. **Retirer la fiche de la prise de courant avant d'effectuer des réglages sur l'appareil, de changer les accessoires, ou de ranger l'appareil.** Cette mesure de précaution empêche une mise en fonctionnement par mégarde.
- d. **Gardez les outils électroportatifs non utilisés hors de portée des enfants. Ne permettez pas l'utilisation de l'appareil à des personnes qui ne se sont pas familiarisées avec celui-ci ou qui n'ont pas lu ces instructions.** Les outils électroportatifs sont dangereux lorsqu'ils sont utilisés par des personnes non initiées.
- e. **Prenez soin des outils électroportatifs. Vérifiez que les parties en mouvement fonctionnent correctement et qu'elles ne soient pas coincées, et**

**contrôlez si des parties sont cassées ou endommagées de telle sorte que le bon fonctionnement de l'appareil s'en trouve entravé. Faites réparer les parties endommagées avant d'utiliser l'appareil.** De nombreux accidents sont dus à des outils électroportatifs mal entretenus.

- f. **Maintenez les outils de coupe aiguisés et propres.** Des outils soigneusement entretenus avec des bords tranchants bien aiguisés se coincent moins souvent et peuvent être guidés plus facilement.
- g. **Utilisez les outils électroportatifs, les accessoires, les outils à monter etc. conformément à ces instructions et aux prescriptions en vigueur pour ce type d'appareil. Tenez compte également des conditions de travail et du travail à effectuer.** L'utilisation des outils électroportatifs à d'autres fins que celles prévues peut entraîner des situations dangereuses.
- h. **Gardez les poignées dans un état sec, propre et exempt d'huile et de graisse.** Des poignées glissantes ne permettent pas une prise en main sûre et le contrôle de l'outil électrique dans des situations inattendues.

## 5 SERVICE

- a. **Ne faites réparer votre outil électroportatif que par un personnel qualifié et seulement avec des pièces de rechange d'origine.** Ceci permet d'assurer la sécurité de l'appareil.

## Consignes de sécurité spécifiques à la machine

- **Les outils rapportés doivent être conçus au minimum pour la vitesse de rotation indiquée sur l'outil électrique.** Des outils rapportés tournant à une vitesse de rotation trop élevée peuvent se détacher et causer des blessures.
- **Utilisez l'outil uniquement avec le bloc à colonnes monté.** Le bloc à colonnes protège l'utilisateur contre les projections de pièces cassées de la fraise et évite qu'il ne touche la fraise par inadvertance.
- **Ne tenez l'outil électrique que par l'intermédiaire des poignées isolées, étant donné que la fraise risque de toucher le propre câble d'alimentation de l'outil.** Le contact avec un câble sous tension peut également mettre des pièces métalliques de l'appareil sous tension et pourrait provoquer un choc électrique.
- **Gardez vos mains à distance de la zone de coupe.** Ne placez jamais vos mains sur l'avant de la plaque d'appui lorsque l'outil est en marche.
- **Seules les fraises proposées par Festool à cette**

**fin doivent être montées sur l'outil électrique.**

L'utilisation d'autres fraises est interdite en raison du risque élevé de blessures.

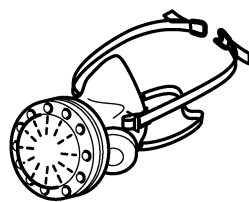
- **Ne travaillez pas avec des fraises émoussées ou endommagées.** Elles peuvent provoquer la perte de contrôle de l'outil électrique.
- **Ne réaffûtez pas les fraises plus de deux fois.** Des fraises réaffûtées peuvent influencer négativement le résultat de fraisage.
- **En relâchant l'unité de moteur, celle-ci doit reculer sous l'effet du ressort, afin que la fraise rentre entièrement dans le capot de protection.** Si cela n'est pas le cas, mettez immédiatement l'outil électrique hors tension et faites-le réparer avant toute autre réutilisation.
- **Arrêtez l'immobilisation complète de la machine électrique avant de la déposer.** L'outil peut se bloquer et conduire à une perte de contrôle de la machine électrique.

## La poussière, un risque pour la santé



**AVERTISSEMENT!** Certaines poussières créées par le ponçage mécanique, le sciage, le meulage, le perçage et autres activités reliées à la construction contiennent des substances chimiques connues (dans l'État de la Californie) comme pouvant causer le cancer, des anomalies congénitales ou représenter d'autres dangers pour la reproduction. Voici quelques exemples de telles substances:

- plomb provenant de peintures à base de plomb,
- silice cristallisée utilisée dans les briques, le ciment et autres matériaux de maçonnerie, et
- arsenic et chrome du bois d'oeuvre traité avec un produit chimique.



Le risque d'exposition à de tels produits varie selon la fréquence à laquelle vous faites ce genre de travail. Pour réduire les risques d'exposition à ces substances chimiques : travaillez dans un endroit adéquatement ventilé et utilisez un équipement de sécurité approuvé, tel que masques antipoussières spécialement conçus pour filtrer les particules microscopiques.



## AVERTISSEMENT

**POUR RÉDUIRE LE RISQUE DE DOMMAGES, L'UTILISATEUR DOIT LIRE LE MANUEL D'INSTRUCTION.**



## Caractéristiques techniques

Fraiseuse pour tourillons	DF 700 EQ
Puissance	720 W
Vitesse (à vide) $n_0$	21000 min <sup>-1</sup>
Profondeur de fraisage	15 - 70 mm
Largeur de fraisage, max.	16,5 mm + Ø de fraise
Ø de fraise, max.	14 mm
Filetage de raccordement de l'arbre d'entraînement	M8 x 1
Poids (sans cordon d'alimentation)	5,2 kg
Classe de protection	□ /II

## Utilisation en conformité avec les instructions

La machine est prévue de façon conforme aux prescriptions pour la réalisation d'assemblages par DOMINO dans le bois dur et le bois tendre, les panneaux de particules, le contreplaqué et les panneaux de fibres. Toute application autre que celle indiquée ci-dessus est considérée comme étant

non conforme à l'usage prévu.

Cette machine est destinée et autorisée exclusivement pour une utilisation par des personnes ayant reçu une formation adéquate ou par des professionnels qualifiés.



L'utilisateur est responsable des dommages provoqués par une utilisation non conforme.

## Description fonctionnelle

Des éléments fournis sont disponibles sur le volet qui se trouve au début de cette notice d'utilisation. Vous pouvez ainsi déplier cette page et visualiser en permanence les différentes parties de l'outil lorsque vous lisez la notice.

- [1-1]** Tampons en caoutchouc
- [1-2]** Broches de butée
- [1-3]** Poignées
- [1-4]** Interrupteur de marche/arrêt
- [1-5]** Indication de la largeur d'alésage de tourillon
- [1-6]** Levier de réglage pour la largeur d'alésage de tourillon
- [1-7]** Curseur pour le réglage de la profondeur de fraisage
- [1-8]** Bouton de verrouillage pour le réglage de la profondeur de fraisage

- [1-9]** Marqueurs pour le réglage de la profondeur de fraisage
- [1-10]** Déverrouillage unité de moteur / dispositif de guidage
- [1-11]** Curseur de présélection pour le réglage de la hauteur de fraisage
- [1-12]** Levier de blocage pour le réglage de l'angle de fraisage
- [1-13]** Bouton pour le déverrouillage des broches de butée
- [1-14]** Levier de blocage pour le réglage de la hauteur de fraisage
- [1-15]** Raccord d'aspiration
- [1-16]** Blocage de la broche
- [1-17]** Câble de raccordement secteur

## Régulation électronique

La machine dispose d'un système électronique à ondes pleines avec les propriétés suivantes :

### Démarrage progressif

Le démarrage progressif assure un fonctionnement sans à-coups de la machine.

### Vitesse de rotation constante

La vitesse de rotation du moteur est maintenue constante de manière électronique. De ce fait, la vitesse de coupe reste homogène, même lorsque l'outil est fortement sollicité.

### Sécurité thermique

L'alimentation électrique et la vitesse de rotation

sont réduites en cas de température trop élevée du moteur. La machine ne fonctionne plus qu'à une puissance réduite, afin de permettre un refroidissement rapide du moteur. Si la surtempérature perdure, la machine s'arrête complètement après env. 40 s. Une nouvelle mise en marche n'est possible qu'après refroidissement du moteur.

### Protection contre le redémarrage

La protection contre le redémarrage intégrée empêche un redémarrage automatique de la machine en mode continu après une coupure d'alimentation. Dans ce cas, la machine doit tout d'abord être arrêtée et remise en marche.

## Réglages



### AVERTISSEMENT

#### Tension ou fréquence non admissible !

#### Risque d'accident

- ▶ La tension et la fréquence d'alimentation électrique doivent être conformes aux indications de la plaque signalétique.
- ▶ En Amérique du nord, utilisez uniquement les outils Festool fonctionnant sous une tension de 120 V/60 Hz.

### Première mise en service



### AVERTISSEMENT

#### Risques de blessures, choc électrique

- ▶ Débrancher la fiche de la prise de courant avant toute intervention sur la machine !
- ▶ Une fois la fraiseuse débranchée, contrôlez la fraise. Assurez-vous qu'elle n'est pas tordue, abîmée ou autrement endommagée et vérifiez que la fraise est bien fixée sur l'arbre (cf "Réglages - Remplacement d'outil").



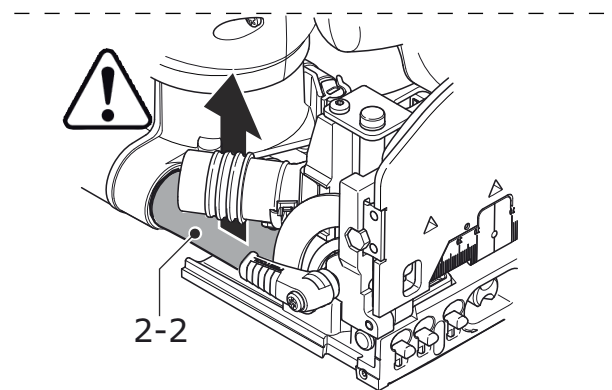
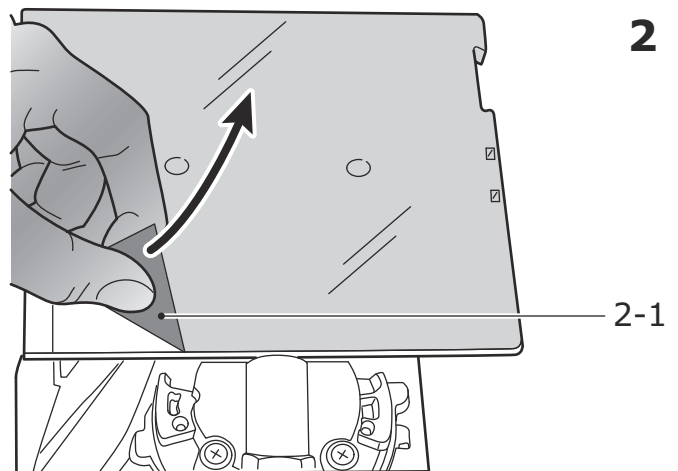
### AVERTISSEMENT

#### Les fraises tordues ou endommagées ne doivent plus être utilisées!

#### Risques de blessures

- ▶ Contrôlez régulièrement l'état de la fraise.

- ▶ Enlevez le film protecteur [2-1] qui se trouve sous la semelle de la fraiseuse.
- ▶ Retirez la sécurité de transport [2-2].



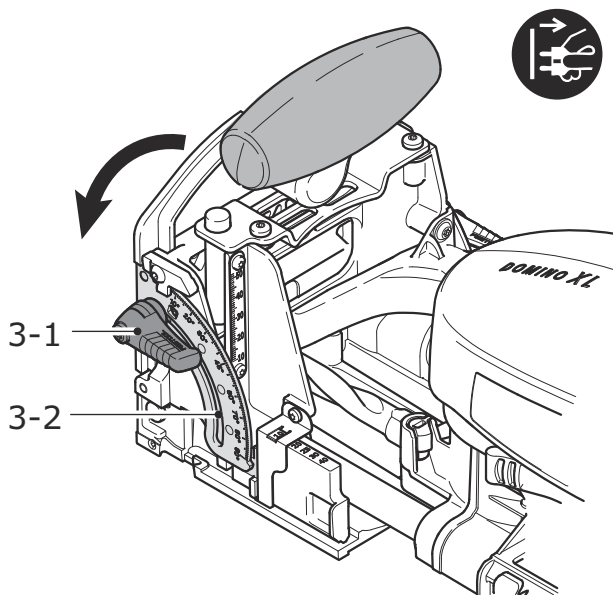
- ▶ Préparez la fraiseuse, en fonction du travail que vous allez effectuer, comme décrit dans la suite de cette section.
- ▶ Vérifiez que le levier de blocage destiné au réglage de la hauteur de fraisage et le levier de

blochage de la butée angulaire sont bien serrés.

- ▶ Raccordez le cordon d'alimentation plug-it à l'orifice prévu à cet effet sur la fraiseuse (cf. "Mise en service - Cordon d'alimentation plug-it").


### Réglage de l'angle de fraisage

3



Certains fraisages nécessitent que la plaque d'appui soit ajustée à un certain angle par rapport à la fraise. C'est le cas par exemple du fraisage en onglet.

- ▶ Débranchez la fraiseuse par sécurité.
- ▶ Desserrez le levier de blocage pour le réglage de l'angle **[3-1]**.
- ▶ Réglez l'angle souhaité :
  - ▶ à l'aide de l'échelle graduée **[3-2]**, en continu de 0° à 90°.
  - ▶ positions verrouillables à 0°, 22,5°, 45°, 67,5° et 90°.
- ▶ Bloquez le levier de blocage **[3-1]**.

 Lors du fraisage en onglet, réglez une hauteur et une profondeur de fraisage aussi faibles que possibles, sinon la fraise risque de sortir sur le côté opposé de la pièce.

① L'orientation du levier de blocage **[3-1]** est réglable par relèvement. A l'état serré, ceux-ci ne devraient pas dépasser au-dessus de la surface d'appui.

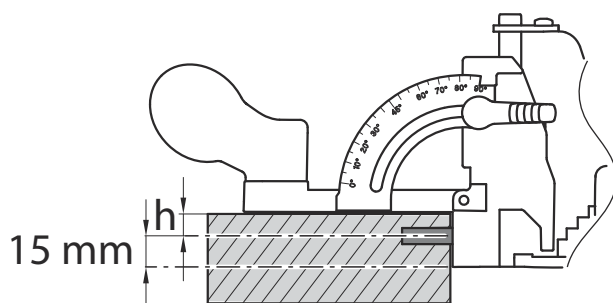
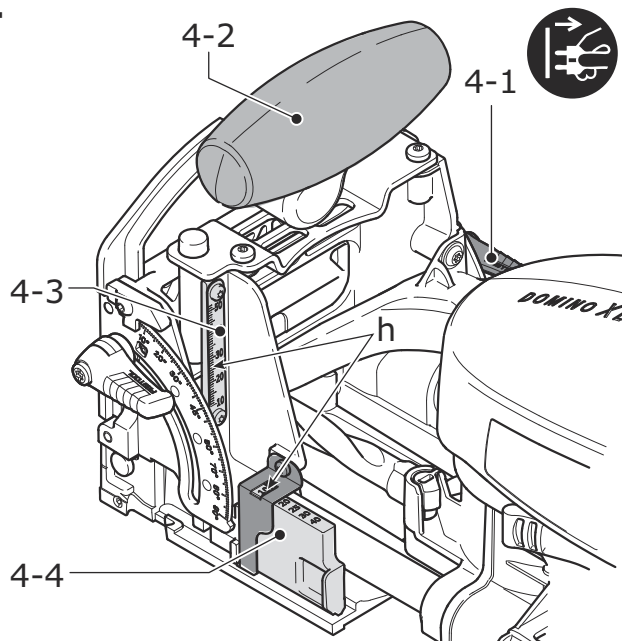
### Réglage de la hauteur de fraisage

La hauteur de fraisage doit être ajustée en fonction du type d'assemblage en cours et de l'épaisseur du

matériau fraisé. La graduation  $h$  indique la distance entre le bas de la plaque d'appui et le centre de la fraise.

Il y a deux possibilités de régler la hauteur de fraisage:

4



#### a) avec le curseur de présélection

- ▶ Desserrez le levier de blocage pour le réglage de la hauteur de fraisage **[4-1]**.
- ▶ Relevez à l'aide de la poignée avant **[4-2]** la partie avant du dispositif de guidage.
- ▶ Réglez à l'aide du curseur de présélection **[4-4]** la hauteur de fraisage souhaitée  $h$  (10 mm ; 15 mm ; 20 mm ; 25 mm ; 30 mm ; 40 mm).
- ▶ Pressez la partie avant du dispositif de guidage vers le bas, jusqu'en butée.
- ▶ Bloquez le levier de blocage **[4-1]**.

## b) librement sélectionnable

- ▶ Desserrez le levier de blocage pour le réglage de la hauteur de fraisage [4-1].
  - ▶ Relevez à l'aide de la poignée avant [4-2] la partie avant du dispositif de guidage.
  - ▶ Tirez le curseur de présélection [4-4] jusqu'en butée, en direction de l'unité de moteur.
  - ▶ Réglez la hauteur de fraisage souhaitée  $h$  à l'aide de l'échelle graduée [4-3], en déplaçant verticalement la partie avant du dispositif de guidage.
  - ▶ Bloquez le levier de blocage [4-1].
- ① L'orientation du levier de blocage [4-1] est réglable par relèvement. A l'état serré, ceux-ci ne devraient pas dépasser au-dessus de la surface d'appui.

## Réglage de la largeur d'alésage de tourillon

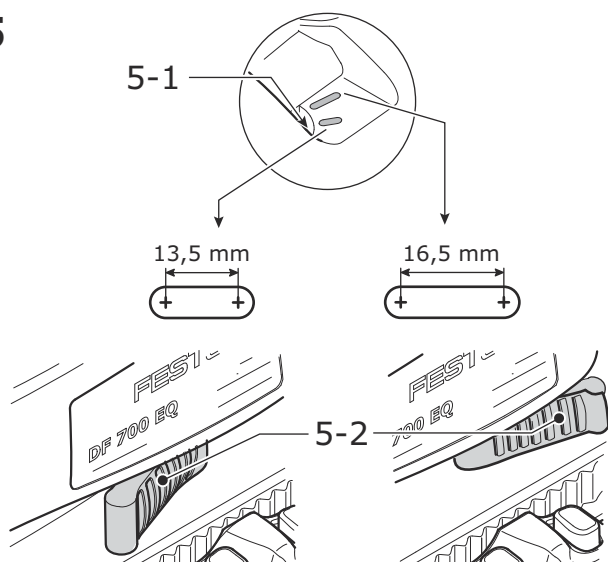


### ATTENTION

**Vous risqueriez de tordre ou de casser la fraise ainsi que d'endommager l'outil.**

- ▶ Ne forcez jamais sur la molette.
- ▶ Ne tournez jamais la molette pendant une plongée.

5



Le levier de réglage [5-2] vous permet de régler un ajustage précis de la largeur d'alésage de tourillon à fraiser, ou avec un jeu de 3 mm :

Tourillon à ajustage précis	13,5 mm + diamètre de la fraise
Tourillon avec jeu latéral	16,5 mm + diamètre de la fraise

L'affichage [5-1] vous indique la largeur d'alésage de tourillon actuellement sélectionnée.

## Réglage de la profondeur de fraisage

La profondeur de la mortaise correspond à la profondeur à laquelle la fraise pénètre dans la pièce. Elle doit être réglée en fonction de la taille des tenons.

En règle générale, le tenon doit être centré à travers l'assemblage et la profondeur de la mortaise doit correspondre à la moitié de la longueur du tenon. Mais dans certains cas, vous voulez que le tenon pénètre davantage dans une pièce par rapport à une autre. Dans ce cas, la somme des deux profondeurs de mortaise doit être égale à la longueur du tenon.

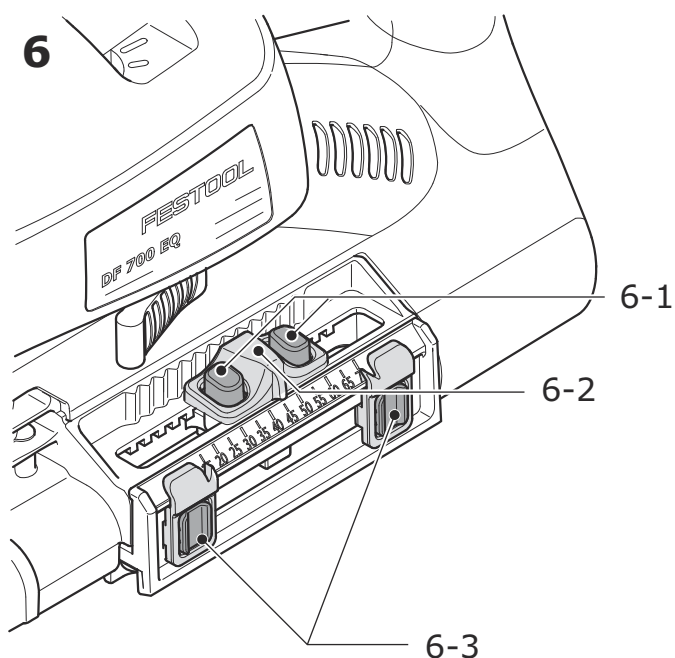


### AVERTISSEMENT

**La fraise peut sortir sur la face arrière de la pièce.**

#### Risques de blessures

- ▶ Réglez une profondeur de fraisage d'au moins 5 mm plus petite que l'épaisseur de la pièce.
  - ▶ Pressez l'un ou les deux boutons de verrouillage [6-1].
  - ▶ Réglez le curseur relatif au réglage de la profondeur de fraisage [6-2] sur la profondeur de fraisage souhaitée (15 - 70 mm).
  - ▶ Relâchez les boutons de verrouillage [6-1].
  - ▶ Contrôlez si le curseur [6-2] est engagé.
- ① Les deux marqueurs [6-3] vous permettent de sélectionner deux profondeurs de fraisage différentes et de commuter simplement entre ces deux repères à l'aide du curseur [6-2] (p. ex. en cas de répartition de profondeur asymétrique des tourillons DOMINO).



## Remplacement d'outil

Différentes fraises sont disponibles pour toutes les tailles de tenon DOMINO. La fraiseuse DF 700 EQ est équipée d'une fraise de 12 mm ; des fraises de 8, 10, et 14 mm sont disponibles en option.



### AVERTISSEMENT

#### Risques de blessures, choc électrique

- ▶ Débrancher la fiche de la prise de courant avant toute intervention sur la machine !



### ATTENTION

#### Outil chaud et tranchant

#### Risques de blessures

- ▶ Porter des gants de protection.



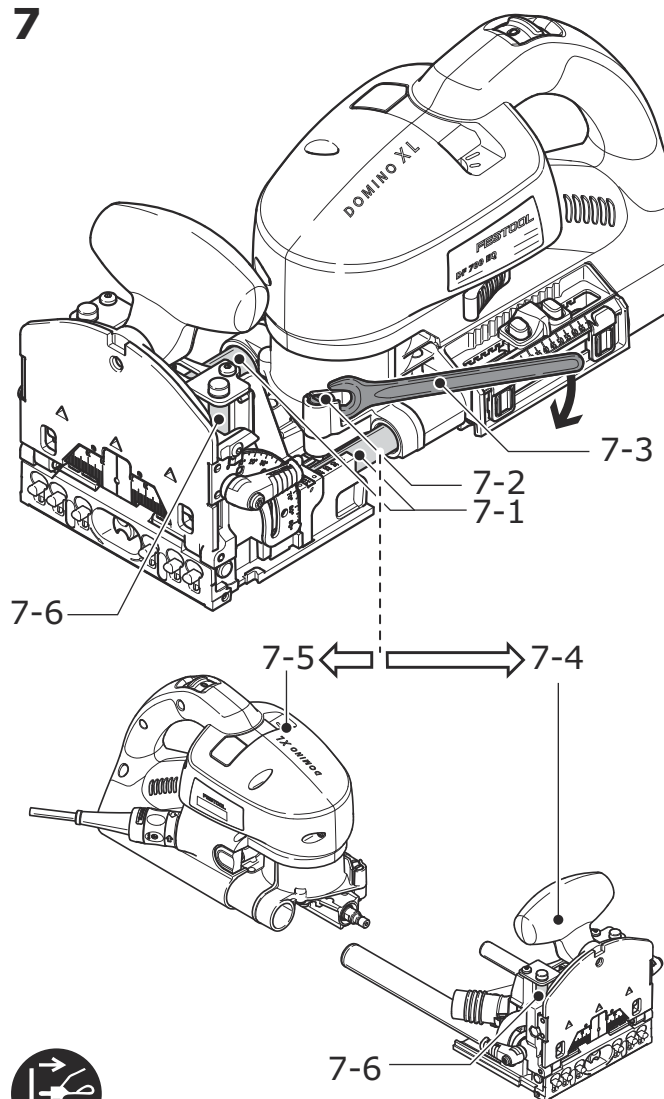
### AVERTISSEMENT

#### Risques de blessures

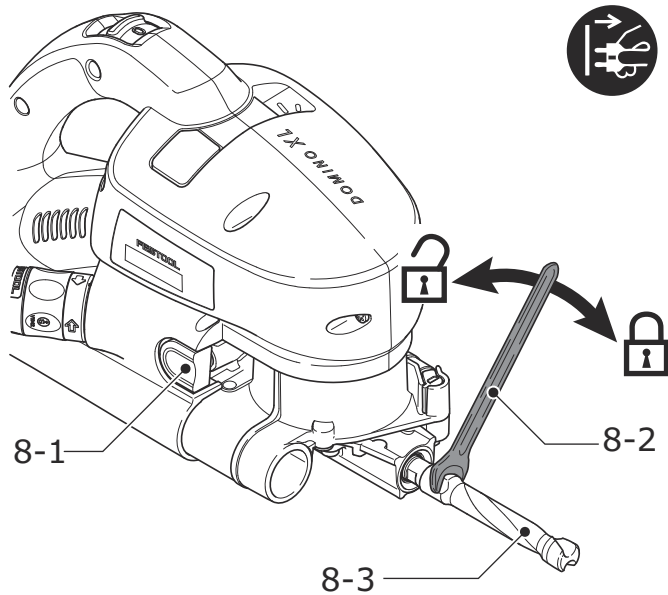
- ▶ Ne travaillez pas avec des fraises émoussées ou endommagées.
- ▶ Seules les fraises proposées par Festool à cette fin doivent être montées sur l'outil électrique.
- ▶ Ne réaffûtez pas les fraises plus de deux fois.

## Prélèvement de l'outil

7



- ▶ Relevez le dispositif de déverrouillage [7-2] à l'aide de la clé à fourche fournie de 12 [7-3], jusqu'au désengagement audible du verrouillage.
- ▶ Séparez l'unité de moteur [7-5] et le dispositif de guidage [7-4].
- ▶ Maintenez le dispositif de blocage de la broche [8-1] enfoncé.
- ▶ Desserrez la fraise [8-3] à l'aide de la clé à fourche [8-2] et retirez-la.
- ▶ Relâchez le dispositif de blocage de la broche [8-1].



## 8

### Montage de l'outil



### AVERTISSEMENT

#### Risques de blessures

- ▶ Avant de monter une nouvelle fraise, assurez-vous que la machine, le dispositif de guidage et les colonnes de guidage [7-1] sont propres.
  - ▶ Éliminez les salissures éventuelles.
  - ▶ N'utilisez que des outils coupants, propres et en bon état.
- ▶ Maintenez le dispositif de blocage de la broche [8-1] enfoncé.
  - ▶ Vissez la fraise [8-3] à l'aide de la clé à fourche [8-2].
  - ▶ Relâchez le dispositif de blocage de la broche [8-1].
  - ▶ Insérez le dispositif de guidage [7-4] dans l'unité de moteur [7-5], jusqu'à ce qu'il s'enclenche de façon audible.

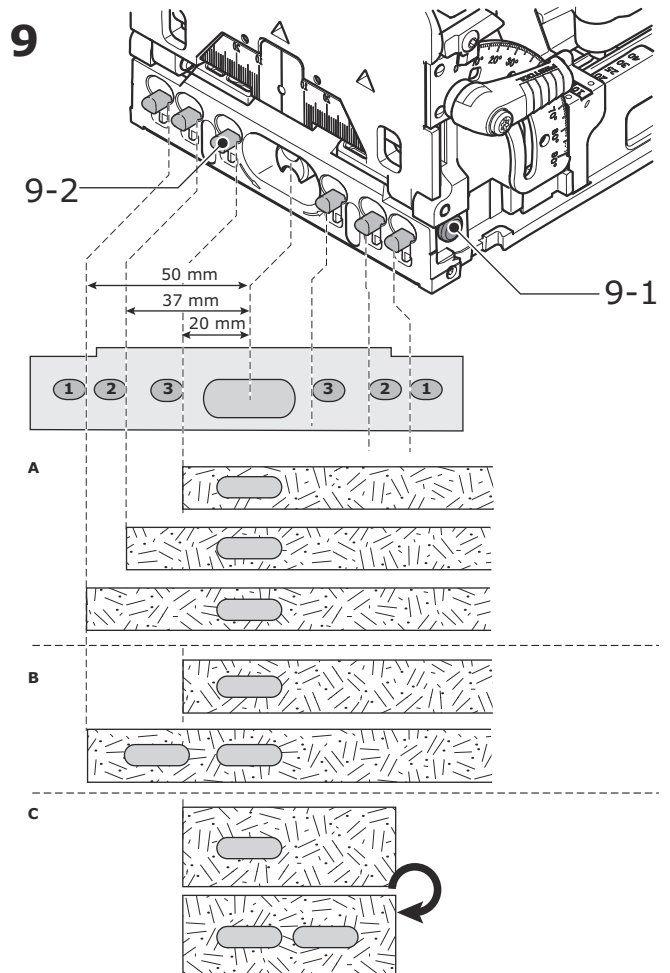
### Réglage des broches de butée

Les broches de butée situés à l'avant de la plaque d'appui permettent de positionner l'outil contre le chant de la pièce à travailler. Ainsi l'outil est placé

de manière rapide et précise sur la pièce à travailler.

Le côté butée de la fraiseuse est pourvu de six broches de butée [9-2].

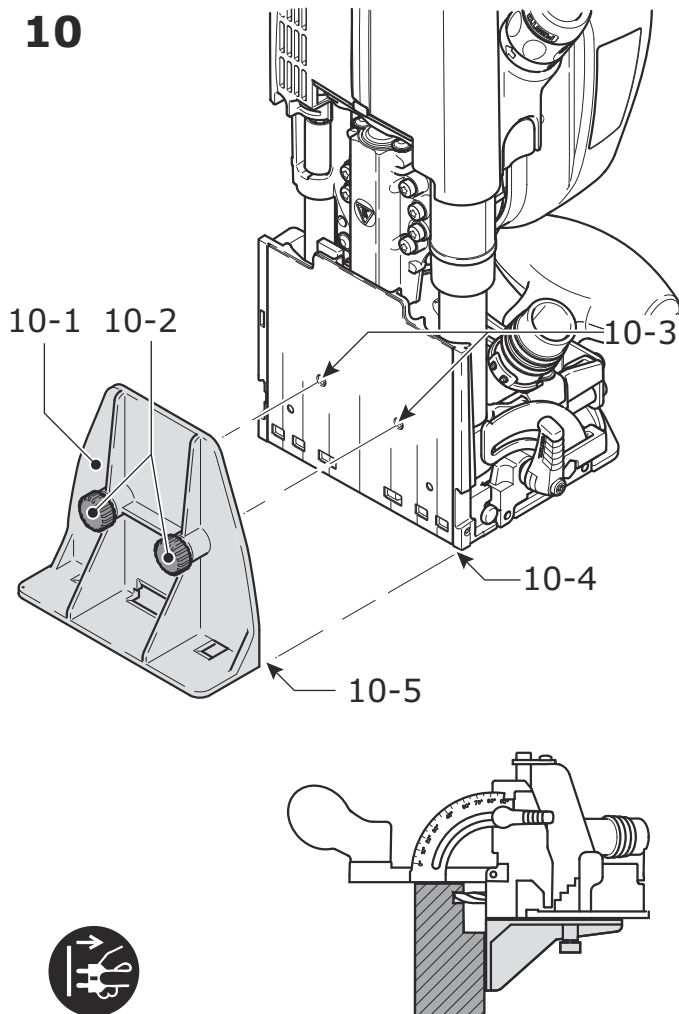
Les broches de butée qui ne sont pas nécessaires peuvent être rentrées individuellement en les pressant vers l'intérieur au-delà du point d'enclenchement, et à nouveau être libérées à l'aide du bouton [9-1].



Ces broches de butée servent de pièces d'écartement par rapport au centre de la fraise et peuvent être mises en œuvre différemment - voir illustration [9] :

- A trois distances possibles par rapport à un côté de référence (1 - 2 - 3)
- B deux alésages de tourillon côte à côte à partir d'un côté de référence (1 - 3)
- C deux alésages de tourillon par retournement de la pièce, p. ex. pour section de membrure de porte.

## Elargissement d'appui



Le dispositif d'élargissement d'appui **[10-1]** permet d'agrandir la surface d'appui sur la face de la pièce lors du fraisage, et par conséquent de guider la machine avec davantage de sécurité.

- Fixez le dispositif d'élargissement d'appui au moyen des deux vis **[10-2]** sur les taraudages **[10-3]** du dispositif de guidage.

*Les surfaces d'appui du dispositif d'élargissement d'appui **[10-5]** et de la table **[10-4]** doivent se trouver dans un même plan.*

## Mise en service



Lors des travaux, observez toutes les consignes de sécurité indiquées en introduction ainsi que les règles suivantes :

- Fixez la pièce à usiner de manière à ce qu'elle ne puisse pas bouger pendant l'usinage.
- En travaillant, tenez toujours la machine des deux mains, au niveau des poignées **[1-3]**. Cela diminue les risques de blessures et permet de travailler avec précision.
- Bloquez le levier de blocage pour le réglage de la hauteur de fraisage **[1-14]** et le levier de blocage pour le réglage de l'angle **[1-12]**, de manière à empêcher tout dérèglement involontaire en cours de fonctionnement.
- Adaptez la vitesse d'avance au diamètre de la fraise et au matériau. Travaillez avec une vitesse d'avance constante.

- Dégagez la machine seulement après l'immobilisation complète de la fraise.
- Raccordez toujours la machine à un dispositif d'aspiration.



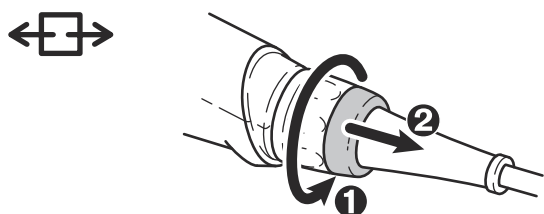
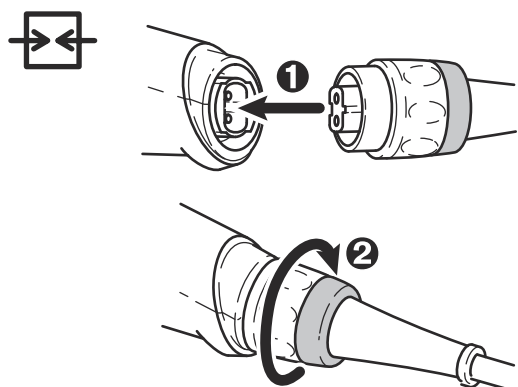
Utilisez un masque pour les travaux dégageant de la poussière.

### Cordon d'alimentation plug-it

L'outil est équipée d'un cordon d'alimentation amovible.

Pour installer le cordon d'alimentation, raccordez-le à l'orifice prévu à cet effet sur l'outil en veillant à ce que la clavette et la rainure de clavette soient alignées, puis tournez le joint de serrage.

Répétez cette démarche en sens inverse pour enlever le cordon d'alimentation.



### Marche/Arrêt



#### AVERTISSEMENT

##### Risques de blessures

- ▶ Ne mettez jamais en marche l'outil lorsque la plaque d'appui est détachée, cela exposerait la fraise en train de tourner.
- ▶ Avant de mettre en marche l'outil, vérifiez que tous les leviers de réglage sont bloqués et que l'outil est prêt à fonctionner.

L'interrupteur [1-4] fait office d'interrupteur marche/arrêt (I = MARCHE, 0 = ARRÊT).

### Rallonge électrique

Si une rallonge électrique est nécessaire, elle doit présenter une section suffisante afin d'éviter une

chute de tension excessive ou une surchauffe. Une chute de tension excessive réduit la puissance et peut entraîner la destruction du moteur. Le tableau ci-dessous vous présente la section correcte de la rallonge en fonction de sa longueur pour cet appareil.

Longueur totale de la rallonge (pieds)	25	50	100	150
Section de la rallonge (AWG)	18	16	16	14

Utilisez exclusivement des rallonges recommandées par U.L. et CSA.

N'utilisez jamais deux rallonges raccordées l'une à l'autre, mais remplacez-les par une rallonge plus longue.

- ① Plus le calibre AWG est bas, plus le câble est résistant.

### Aspiration



#### AVERTISSEMENT

##### Risques pour la santé dus aux poussières

- ▶ Les poussières peuvent être dangereuses pour la santé. Pour cette raison, ne travaillez jamais sans aspiration.
- ▶ Respectez toujours les prescriptions nationales en vigueur lors de l'aspiration de poussières dangereuses pour la santé.

Le raccord d'aspiration [1-15] permet de raccorder un aspirateur Festool avec tuyau d'aspiration de 27 mm de diamètre.

## Travail avec la machine

### Aperçu, remarques générales et conseils

Le bois est un matériau naturel et hétérogène. C'est pourquoi certaines variations dimensionnelles sont inévitables lors du façonnage, même si la machine est correctement réglée. La manipulation de la machine (p. ex. la vitesse d'avance) a aussi un impact sur sa précision de fonctionnement. Les cotes des éléments DOMINO en bois peuvent également varier en fonction des conditions de

stockage (p. ex. humidité). Ce sont autant de facteurs susceptibles d'avoir une incidence sur la précision dimensionnelle des trous destinés aux tourillons et, plus généralement, des assemblages par tourillons.

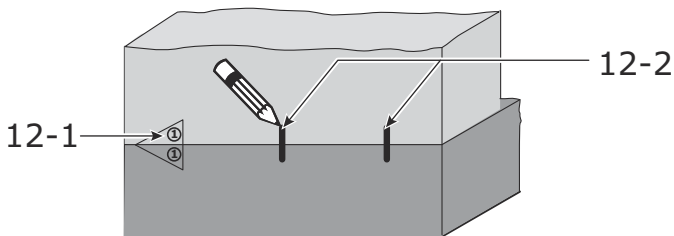
- ① **Avant de travailler la pièce définitive, nous recommandons** d'effectuer un fraisage et un assemblage d'essai sur une pièce de test.



## Procédure de fraisage

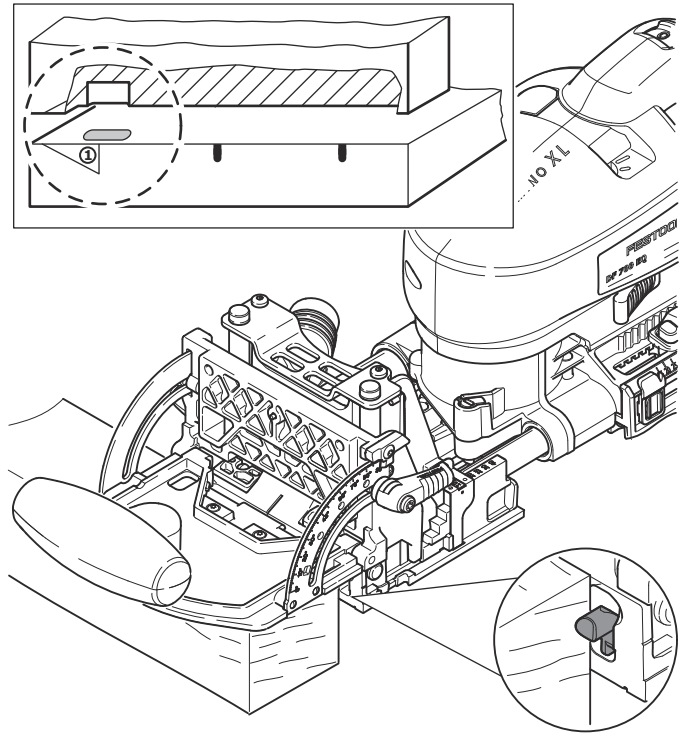
Procédez comme suit pour réaliser un assemblage par tourillons DOMINO :

	voir page
1. Sélectionnez un tourillon DOMINO et montez la fraise adaptée sur la fraiseuse.	29
2. Réglez la profondeur de fraisage.	28
3. Réglez la hauteur de fraisage.	27
4. Réglez le cas échéant l'angle de fraisage.	27
5. Repérez les surfaces correspondantes des pièces à assembler <b>[12-1]</b> , afin de pouvoir les assembler correctement après le fraisage des alésages de tourillon.	

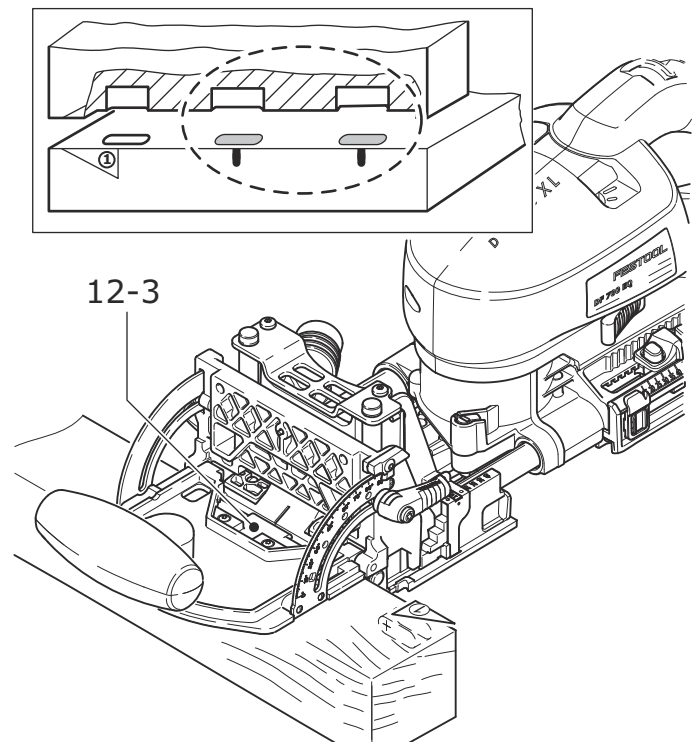


6. Aposez les pièces à assembler l'une à côté de l'autre et repérez les positions souhaitées des tourillons DOMINO au moyen d'un crayon <b>[12-2]</b> .	
6. Sélectionnez les broches de butée B nécessaires.	30
7. Réglez la largeur d'alésage de tourillon souhaitée (à ajustage précis ou avec un jeu de 3 mm).	28

voir page



8. Fraisez les alésages de tourillon **[12]**:
- le premier alésage de tourillon en positionnement la broche de butée contre le bord latéral de la pièce,
  - les autres alésages de tourillon d'après les repères apposés auparavant au crayon et d'après l'échelle graduée de la fenêtre de visualisation **[12-3]**.



**Notre recommandation :** contrôlez la présence éventuelle de copeaux dans chaque alésage de tourillon et éliminez-les le cas échéant.

Travaillez toujours avec un dispositif d'aspiration des poussières, afin d'améliorer l'évacuation des copeaux !

Fraisez le premier trou par pièce sans jeu (largeur d'alésage de tourillon = largeur de tourillon DOMINO), et les autres alésages de tourillon avec une largeur d'alésage de tourillon plus grande.

## Entretien et maintenance



### AVERTISSEMENT

**Tout travail de maintenance ou de réparation, qui nécessite l'ouverture du moteur ou du carter d'engrenages doit uniquement être effectué par un centre service-client autorisé (nom fourni par votre revendeur) !**

- ▶ Les travaux de maintenance ou de réparation effectués par un personnel non autorisé peuvent conduire à la mauvaise connexion de câbles d'alimentation ou d'autres composants, ce qui peut entraîner à son tour des accidents avec des conséquences graves.



### AVERTISSEMENT

**Pour éviter les accidents, retirez toujours la fiche mâle de la prise d'alimentation électrique avant d'effectuer tout travail de maintenance ou de réparation sur la machine !**

- ▶ N'utilisez pas d'air comprimé pour nettoyer l'outil électrique ! N'essayez pas de nettoyer des parties à l'intérieur de la machine de cette façon, étant donné que des corps étrangers pourraient pénétrer dans les ouvertures du carter de la machine.



### ATTENTION

**Certains produits nettoyants et solvants sont nocifs pour les pièces en plastique**

- ▶ Quelques exemples de produit nocif: essence, acétone, méthyléthylcétone (MEK), chlorure de carbonyle, solutions nettoyantes contenant du chlore, de l'ammoniac et les produits ménagers contenant de l'ammoniac.

L'appareil est équipé de charbons spéciaux à coupure automatique. Lorsque ceux-ci sont usés, l'alimentation est coupée et l'appareil s'arrête.

- ① Nous recommandons de faire effectuer un contrôle tous les ans et/ou après env. 100 heures de fonctionnement par un atelier de service après-vente agréé. Ceci contribue à la sécurité de l'utilisateur et à la stabilité de l'outil électrique.

### Entretien courant

L'outil nécessite peu d'entretien courant, hormis le nettoyage. Pour obtenir de meilleures performances et augmenter sa longévité, votre outil doit rester propre.

- ▶ Pour garantir la circulation de l'air, les orifices d'air de refroidissement sur le carter doivent toujours rester propres et dégagés.
- ▶ Utilisez toujours l'outil avec le système d'aspiration des poussières.
- ▶ Contrôlez régulièrement la ou les fraises pour vérifier qu'elles ne sont pas abîmées, usées ou

émoussées. Réaffûtez ou remplacez-les le cas échéant.

- ▶ N'essayez jamais d'affûter vous-même les fraises. Les fraises doivent être affûtées par un personnel qualifié.
- ▶ Pour de meilleurs résultats, seule la pointe de la fraise doit être affûtée, et non les côtés.
- ▶ L'affûtage ne doit pas enlever plus d'1 mm de la pointe de la fraise, au-delà la fraise doit être remplacée. Si la fraise est trop affûtée, elle devient trop courte et les alésages fraisés ne sont plus adaptés aux tenons.

### Nettoyage et maintenance

- ▶ Nettoyez l'extérieur de l'outil avec de l'air comprimé basse pression pour enlever la sciure, mais n'orientez pas l'air directement sur les orifices de ventilation situés à l'arrière du mo-

teur car des corps étrangers risqueraient de pénétrer dans le moteur.

- ▶ Enlevez la sciure coincée au niveau de la fraise à l'aide de l'air comprimé.
- ▶ Ne désolidarisez pas la plaque d'appui du bloc moteur tant que la fraiseuse est recouverte de sciure.
- ▶ Une fois l'extérieur de la fraiseuse nettoyée, désolidarisez la plaque d'appui du bloc moteur et nettoyez les coulisses linéaires :
  - ▶ Avec un tissu doux en coton, essuyez les rails de guidage linéaires.
  - ▶ Enlevez la poussière qui se trouve à l'intérieur des alésages du cylindre avec l'air comprimé.
  - ▶ Avec un chiffon doux en coton, essuyez l'intérieur des guides en bronze.
- ▶ Veillez à la propreté des colonnes de guidage **[7-1]** et **[7-6]**.
- ▶ Huilez légèrement et régulièrement les colonnes de guidage avec une huile sans résine (p.ex. huile de machine à coudre).
- ▶ Ne rangez jamais la fraiseuse alors que la plaque d'appui est désolidarisée du bloc moteur, la poussière et les corps étrangers risquent de s'immiscer dans les rails de guidage linéaires.

## Elimination des défauts

Problème	Cause	Elimination
Traces de brûlures	Fraise émoussée	Utiliser une fraise tranchante
Alésage de tourillon trop étroit ; le tourillon DOMINO ne peut pas être assemblé	a. Fraise émoussée b. Dépôts (p. ex. copeaux dans l'alésage de tourillon)	a. Utiliser une fraise tranchante b. Eliminer les dépôts et travailler avec un dispositif d'aspiration des poussières
Élargissement de l'alésage de tourillon avec une fraise de 8 mm	Profondeur de fraisage trop grande (supérieure à 50 mm)	Réduire la profondeur de fraisage (max. 50 mm)
Bords arrachés sur l'alésage de tourillon	Vitesse d'avance trop élevée	Réduire la vitesse d'avance
Défaut de parallélisme entre l'alésage de tourillon et le bord de la pièce à travailler	La pièce a bougé pendant le fraisage	Fixer suffisamment la pièce
L'outil ne peut pas être desserré lors du changement d'outil	Blocage de broche hors fonction	Tourner la broche par rapport à l'outil à l'aide d'une clé à fourche. En cas d'apparition fréquente, contacter le service après-vente

Problème	Cause	Elimination
Les positions des alésages de tourillon qui ont été réalisés avec l'une des broches de butée de gauche et de droite ne correspondent pas de façon précise.	Les broches de butée sont sélectionnées différemment à gauche et à droite.	Sélectionner les même broches de butée à gauche et à droite
La fraiseuse fonctionne irrégulièrement, par à-coups	a. Pas de dispositif d'aspiration raccordé b. Tampons en caoutchouc <b>[1-1]</b> usés	a. Raccorder un dispositif d'aspiration b. Remplacer les tampons en caoutchouc (pièces de rechange)

## Accessoires

Utilisez uniquement les accessoires Festool et consommables Festool d'origine prévus pour cette machine, car ces composants systèmes sont parfaitement adaptés les uns par rapport aux autres. Si vous utilisez des accessoires et consommables d'autres marques, la qualité du résultat peut être dégradée et les recours en garantie peuvent être soumis à des restrictions. L'usure de la machine ou votre charge personnelle peuvent augmenter selon chaque application. Pour cette raison, protégez-vous, votre machine et vos droits à la garantie en utilisant exclusivement des accessoires Festool et des consommables Festool d'origine !

Les références des accessoires et des outils figurent dans le catalogue Festool ou sur Internet sous "www.festoolusa.com".

### Accessoires especial pour fraiseuse pour tourillons

Festool propose des accessoires complets, vous permettant une utilisation polyvalente et efficace de votre machine, p. ex. :

- Butée ronde RA-DF 500/700
- Butée transversale QA-DF 500/700
- Butée longitudinale LA-DF 500/700

Pour le montage, veuillez consulter la notice de montage jointe à la fin de la notice d'utilisation !

### Systainer

De nombreux produits Festool sont fournis dans une caisse exclusive, appelée "Systainer". Celle-ci permet de protéger et de ranger des outils et des appareils complémentaires. Les Systainer sont empilables et peuvent être solidarités. En outre, ils se fixent sur les aspirateurs CT Festool.

#### Pour ouvrir le Systainer



Tournez le T-loc **[13-1]** à cette position.

#### Pour fermer le Systainer



Tournez le T-loc **[13-1]** à cette position.

#### Pour connecter deux Systainers

Placez un Systainer au dessus de l'autre (Fig. **[13 A]**).

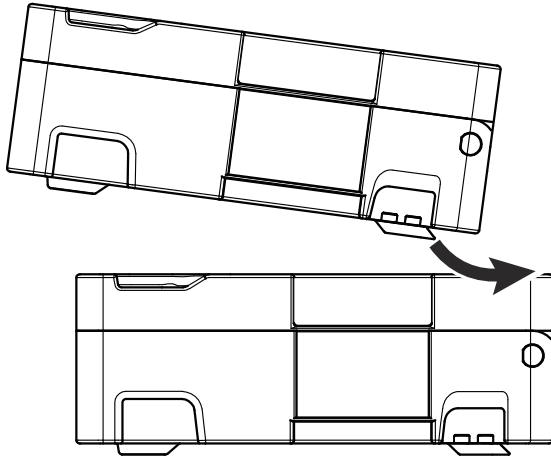


Tournez le T-loc **[13-1]** à une de cette positions (Fig. **[13 B]**).

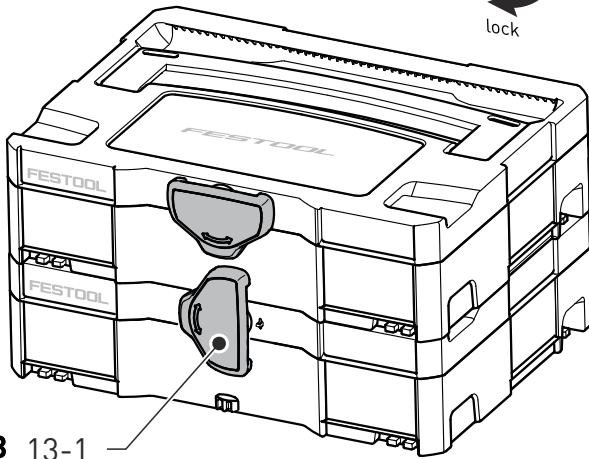
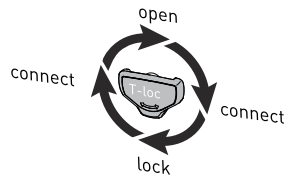
Les Systainers sont combinés.

- ① Un Systainer de la nouvelle génération peut être attaché au dessus d'un Systainer de l'ancienne génération par les quatre loquets de l'ancien Systainer.

13



A



B 13-1

---

## Environnement

---

**Ne jetez pas les outils électriques avec les ordures ménagères !** Éliminez les appareils, les accessoires et les emballages de façon compatible

avec l'environnement. Respectez en cela les dispositions nationales en vigueur.

---

## Garantie

---

### Garantie 1 + 2

Festool offre une garantie restreinte de trois ans, une des plus longues de l'industrie. La présente garantie est valide à la condition préalable que l'outil soit utilisé et exploité en conformité avec les consignes d'utilisation de Festool. Festool garantit que l'outil spécifié sera exempt de vices de matériel ou de malfaçon durant une période de 3 ans à compter de la date d'achat.

### Conditions de la garantie 1 + 2

Tous les clients reçoivent une extension de garantie restreinte gratuite (1 an + 2 ans = 3 ans) pour tous les outils électriques achetés auprès d'un détaillant agréé. Festool est responsable de tous les frais d'expédition durant la première année de la garantie. Durant la deuxième et la troisième année de la garantie, le client a la responsabilité d'expédier l'outil à Festool. Festool paiera les frais d'expédition de retour au client en utilisant le service terrestre d'UPS. Tout service de garantie est valide 3

ans à compter de la date d'achat indiquée sur votre reçu ou votre facture. La preuve d'achat peut être exigée.

**Sont exclus de la couverture au titre de la présente garantie :** usure normale, dommage causé par un usage impropre, un usage abusif ou de la négligence ; dommage causé par toute autre chose qu'un vice de matériel ou de malfaçon. La présente garantie ne s'applique pas aux articles accessoires tels que lames de scie plongeante, forets de perceuse, forets de défonceuse, lames de scie sauteuse, bandes abrasives et meules. L'utilisation d'un outil à une tension ou fréquence différente de la puissance nominale de l'outil annule la garantie. L'annulation de garantie inclut l'utilisation de l'outil avec un transformateur. Festool ne tolère ni n'approuve aucune utilisation d'accessoires ou de consommables d'ingénierie, de conception et de fabrication autres que Festool sur des produits Festool. Toute utilisation de produits autres que Festool peut affecter le rendement de l'outil et annuler la garantie. Festool ne peut être tenu responsable de tous dommages ou pertes subis, l'utilisateur assumant tous les risques et l'entière responsabilité liés à l'utilisation de produits qui ne sont pas d'origine Festool. Sont également exclues toutes les "pièces d'usure" telles que les balais de carbone, les lamelles de l'outillage pneumatique, les manchons et joints de caoutchouc, les disques abrasifs et les patins de ponçage, ainsi que les vêtements Festool (chapeaux et t-shirts).

Les obligations de Festool aux termes de la présente garantie se limitent, à sa seule discrétion, à la réparation ou au remplacement ou au remboursement du prix d'achat de tout outil électrique Festool portable jugé comme faisant montre d'un vice de matériel ou de malfaçon durant la période de la garantie. FESTOOL NE PEUT ÊTRE TENU RESPON-

SABLE DE QUELQUE DOMMAGE CONSÉCUTIF, ACCESSOIRE OU PARTICULIER INDÉPENDAMMENT DU PRINCIPE DE DROIT SUR LEQUEL SE FONDE LA DEMANDE. TOUTES LES GARANTIES IMPLICITES AUX TERMES DE LA LOI ÉTATIQUE, Y COMPRIS LES GARANTIES IMPLICITES DE QUALITÉ MARCHANDE ET D'ADAPTATION À UN USAGE PARTICULIER, SONT PAR LES PRÉSENTES RESTREINTES À UNE DURÉE DE TROIS ANS.

Certains états américains et certaines provinces canadiennes ne permettent pas de restrictions quant à la durée d'une garantie implicite, de sorte que la restriction qui précède peut ne pas s'appliquer à vous. La présente garantie vous confère des droits légaux spécifiques, et il se peut que vous ayez d'autres droits variant d'un état à l'autre aux É.-U. et d'une province à l'autre au Canada.












En dehors de toute garantie imposée par une loi d'état ou une loi provinciale telle que restreinte ci-dessus, la garantie restreinte qui précède est exclusive et aux lieu et place de toute autre garantie, engagement formel, entente et autre obligation similaire de Festool. Festool ne fait aucune autre garantie, expresse ou implicite, à propos des outils électriques. La présente garantie est valide uniquement pour les outils achetés aux É.-U. et au Canada. Les régimes de garantie d'autres pays peuvent varier pour les cas de service obtenus en dehors des É.-U. et du Canada. Certains pays peuvent exclure de la garantie les produits achetés en dehors de leur territoire. Festool se réserve le droit de refuser la réparation de tout outil ne faisant pas partie de la gamme de produits des É.-U. et du Canada. Aucun agent, représentant, distributeur, concessionnaire ou employé de Festool n'a l'autorité d'augmenter ou d'autrement modifier les obligations ou les restrictions de la présente garantie.

## Índice

Símbolos.....	39
Indicaciones de seguridad .....	39
Datos técnicos .....	42
Uso conforme a lo previsto .....	42
Descripción de las funciones.....	42
Sistema electrónico .....	43
Ajustes.....	43
Operativa .....	48
Trabajo con la máquina.....	49
Mantenimiento y cuidado.....	51
Reparación de averías.....	52
Accesorios.....	52
Medio ambiente.....	53
Garantía.....	53


## Símbolos

V	Voltios
A	Amperios
Hz	Hercios
~	Corriente alterna

	Siámetro
$\text{min}^{-1}$ ;	Revoluciones o reciprocidad por minuto
rpm	
n	Número de revoluciones
$n_{0 \text{ max}}$	Número de revoluciones en vacío max.
mm	Millímetros
	Consejo
	Clase de protection II
	Aviso ante un peligro general
	Peligro de electrocución
	¡Leer las instrucciones e indicaciones!
	¡Usar protección para los oídos!
	¡Utilizar protección respiratoria!
	¡Utilizar guantes de protección!
	Desconecte el enchufe
	Aviso de superficie caliente

## Indicaciones de seguridad

### Indicaciones de seguridad generales

 **¡ATENCIÓN!** Lea íntegramente las instrucciones e indicaciones de seguridad. El incumplimiento de dichas instrucciones e indicaciones puede dar lugar a descargas eléctricas, incendios o lesiones graves.

**Guardar todas las advertencias de peligro e instrucciones para futuras consultas.**

El término herramienta eléctrica empleado en las siguientes advertencias de peligro se refiere a herramientas eléctricas de conexión a la red (con cable de red) y a herramientas eléctricas accionadas por acumulador (o sea, sin cable de red).

#### 1 PUESTO DE TRABAJO

a. **Mantenga limpio y bien iluminado su puesto de trabajo.** El desorden y una iluminación deficiente en las áreas de trabajo pueden provocar accidentes.

tes.

- b. **No utilice la herramienta eléctrica en un entorno con peligro de explosión, en el que se encuentren combustibles líquidos, gases o material en polvo.** Las herramientas eléctricas producen chispas que pueden llegar a inflamar los materiales en polvo o vapores.
- c. **Mantenga alejados a los niños y otras personas de su puesto de trabajo al emplear la herramienta eléctrica.** Una distracción le puede hacer perder el control sobre el aparato.

#### 2 SEGURIDAD ELÉCTRICA

a. **El enchufe del aparato debe corresponder a la toma de corriente utilizada. No es admisible modificar el enchufe en forma alguna. No emplear adaptadores en aparatos dotados con una toma de tierra.** Los enchufes sin modificar adecuados a las respectivas tomas de corriente re-

ducen el riesgo de una descarga eléctrica.

- b. **Evite que su cuerpo toque partes conectadas a tierra como tuberías, radiadores, cocinas y refrigeradores.** El riesgo a quedar expuesto a una sacudida eléctrica es mayor si su cuerpo tiene contacto con tierra.
- c. **No exponga las herramientas eléctricas a la lluvia y evite que penetren líquidos en su interior.** Existe el peligro de recibir una descarga eléctrica si penetran ciertos líquidos en la herramienta eléctrica.
- d. **No utilice el cable de red para transportar o colgar el aparato, ni tire de él para sacar el enchufe de la toma de corriente. Mantenga el cable de red alejado del calor, aceite, esquinas cortantes o piezas móviles.** Los cables de red dañados o enredados pueden provocar una descarga eléctrica.
- e. **Al trabajar con la herramienta eléctrica en la intemperie utilice solamente cables de prolongación homologados para su uso en exteriores.** La utilización de un cable de prolongación adecuado para su uso en exteriores reduce el riesgo de una descarga eléctrica.
- f. **Si fuese imprescindible utilizar la herramienta eléctrica en un entorno húmedo, es necesario conectarla a través de un fusible diferencial.** La aplicación de un fusible diferencial reduce el riesgo a exponerse a una descarga eléctrica.

### 3 SEGURIDAD DE PERSONAS

- a. **Esté atento a lo que hace y emplee la herramienta eléctrica con prudencia. No utilice la herramienta eléctrica si estuviese cansado, ni tampoco después de haber consumido alcohol, drogas o medicamentos.** El no estar atento durante el uso de una herramienta eléctrica puede provocarle serias lesiones.
- b. **Utilice un equipo de protección y en todo caso unas gafas de protección.** El riesgo a lesionarse se reduce considerablemente si, dependiendo del tipo y la aplicación de la herramienta eléctrica empleada, se utiliza un equipo de protección adecuado como una mascarilla antipolvo, zapatos de seguridad con suela antideslizante, casco, o protectores auditivos.
- c. **Evite una puesta en marcha fortuita del aparato. Cerciorarse de que el aparato esté desconectado antes conectarlo a la toma de corriente.** Si transporta el aparato sujetándolo por el interruptor de conexión/desconexión, o si introduce el enchufe en la toma de corriente con el aparato conectado, ello puede dar lugar a un accidente.
- d. **Retire las herramientas de ajuste o llaves fijas**

**antes de conectar la herramienta eléctrica.** Una herramienta o llave colocada en una pieza rotante puede producir lesiones al ponerse a funcionar.

- e. **Sea precavido. Trabaje sobre una base firme y mantenga el equilibrio en todo momento.** Ello le permitirá controlar mejor la herramienta eléctrica en caso de presentarse una situación inesperada.
- f. **Utilice ropa adecuada. No utilice ropa ancha ni objetos de joyería o bisutería. Mantenga el pelo y la ropa alejada de las piezas en movimiento.** La ropa suelta o el pelo largo pueden quedar atrapados por piezas en movimiento.
- g. **Siempre que sea posible utilizar unos equipos de aspiración o captación de polvo, asegúrese que éstos estén montados y que sean utilizados correctamente.** El empleo de estos equipos reduce los riesgos derivados del polvo.
- h. **No debe jamás confiarse por el uso frecuente de las máquinas e ignorar los principios de seguridad de la herramienta.** Un manejo imprudente puede ocasionar lesiones graves en fracciones de segundo.

### 4 TRATO Y USO CUIDADOSO DE HERRAMIENTAS ELÉCTRICAS

- a. **No sobrecargue el aparato. Use la herramienta prevista para el trabajo a realizar.** Con la herramienta adecuada podrá trabajar mejor y más seguro dentro del margen de potencia indicado.
- b. **No utilice herramientas con un interruptor defectuoso.** Las herramientas que no se puedan conectar o desconectar son peligrosas y deben hacerse reparar.
- c. **Saque el enchufe de la red antes de realizar un ajuste en el aparato, cambiar de accesorio o al guardar el aparato.** Esta medida preventiva reduce el riesgo a conectar accidentalmente el aparato.
- d. **Guarde las herramientas fuera del alcance de los niños y de las personas que no estén familiarizadas con su uso.** Las herramientas utilizadas por personas inexpertas son peligrosas.
- e. **Cuide sus aparatos con esmero. Controle si funcionan correctamente, sin atascarse, las partes móviles del aparato, y si existen partes rotas o deterioradas que pudieran afectar al funcionamiento de la herramienta. Si la herramienta eléctrica estuviese defectuosa haga repararla antes de volver a utilizarla.** Muchos de los accidentes se deben a aparatos con un mantenimiento deficiente.
- f. **Mantenga los útiles limpios y afilados.** Los útiles mantenidos correctamente se dejan guiar y con-



trolar mejor.

- g. **Utilice herramientas eléctricas, accesorios, útiles, etc. de acuerdo a estas instrucciones y en la manera indicada específicamente para este aparato. Considere en ello las condiciones de trabajo y la tarea a realizar.** El uso de herramientas eléctricas para trabajos diferentes de aquellos para los que han sido concebidas puede resultar peligroso.
- h. **Mantenga las empuñaduras secas, limpias y libres de aceite y grasa.** Las empuñaduras resbaladizas no permiten una manipulación y un control seguros de la herramienta eléctrica en situaciones inesperadas.

## 5 SERVICIO

- a. **Únicamente haga reparar su herramienta eléctrica por un profesional, empleando exclusivamente piezas de repuesto originales.** Solamente así se mantiene la seguridad de la herramienta eléctrica.

### Indicaciones de seguridad específicas

- **Las herramientas deben estar diseñadas para soportar, como mínimo, el número de revoluciones indicado en la herramienta eléctrica.** Si se superan estas revoluciones, las herramientas en funcionamiento o piezas de las mismas pueden salir despedidas y causar lesiones.
- **Utilice la máquina sólo con el bastidor de guía.** El bastidor de guía protege al usuario de las piezas que pudieran desprenderse de la fresa y evita el contacto involuntario con ésta.
- **Sujete la herramienta eléctrica únicamente por las empuñaduras aisladas, ya que la fresa podría entrar en contacto con algún cable de red.** El contacto con una conducción de corriente puede poner bajo tensión también las piezas metálicas de la máquina y provocar una descarga eléctrica.
- **Mantenga las manos alejadas de la zona de corte.** Mientras la máquina esté funcionando, no coloque las manos en la parte frontal de la fresadora.
- **Solo se deben montar fresas de Festool en la herramienta eléctrica.** Se prohíbe el uso de otras fresas debido al elevado riesgo de sufrir lesiones.

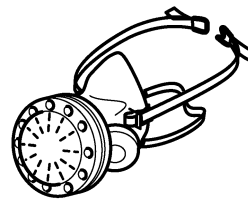
- **No trabaje con fresas desafiladas o dañadas,** pues podrían hacer que perdiera el control sobre la herramienta eléctrica.
- **No reafile las fresas más de dos veces.** Las fresas reafiladas pueden afectar a la precisión de los resultados de fresado.
- **Al soltar la unidad de motor, este debe desplazarse hacia atrás por acción del resorte, de modo que la cubierta de protección cubra totalmente la fresa.** Si esto no ocurre, desconecte inmediatamente la herramienta eléctrica y llévela a reparar antes del siguiente uso.
- **Espere a que la máquina esté completamente parada antes de guardarla.** La herramienta giratoria podría engancharse, lo que podría causar la pérdida de control de la máquina.

### Riesgos para la salud producidos por el polvo



**ADVERTENCIA!** Algunos polvos creados por lijadoras motorizadas, aserraderos, trituradores, perforadoras y otras actividades de construcción contienen sustancias químicas que se sabe (en el Estado de California) causan cáncer, defectos de nacimiento u otros daños al sistema reproductivo. Algunos ejemplos de estas sustancias químicas son:

- Plomo de las pinturas con base de plomo
- Sílice cristalino de los ladrillos y cemento y otros productos de mampostería, y
- Arsénico y cromo de madera tratada con sustancias químicas



El riesgo de exposición a estas sustancias varía, dependiendo de cuantas veces se hace este tipo de trabajo. Para reducir el contacto con estas sustancias químicas: trabaje en un área con buena ventilación y trabaje con equipo de seguridad aprobado, como mascarillas para el polvo diseñadas específicamente para filtrar partículas microscópicas.



### ADVERTENCIA

**PARA REDUCIR EL RIESGO DE LESIÓN, EL USUARIO DEBE LEER EL MANUAL DE INSTRUCCIÓN.**

## Datos técnicos

Fresadora de tacos	DF 700 EQ
Potencia	720 W
Numero de revoluciones (marcha en vacío) $n_0$	21000 min <sup>-1</sup>
Profundidad de fresado	15 - 70 mm
Anchura de fresado máx.	16,5 mm + Ø de la fresa
Ø de la fresa, máx.	14 mm
Rosca de conexión del árbol de accionamiento	M8 x 1
Peso (sin cable de red)	5,2 kg
Clase de protección	 /II

## Uso conforme a lo previsto

Conforme a las especificaciones, la máquina está prevista para la fabricación de ensamblajes de tacos DOMINO en madera dura y madera blanda, en planchas de madera aglomerada, en madera contrachapada y en tableros de fibras de madera. Cualquier otra aplicación se considerará no confor-

me al uso previsto.

El uso de la máquina está indicado exclusivamente para profesionales y personal cualificado.



El usuario será responsable de cualquier utilización indebida.

## Descripción de las funciones

Las imágenes con la dotación de suministro se encuentran en una hoja desplegable al comienzo de este manual de instrucciones. Cuando lea este manual, le recomendamos que despliegue esta página para disponer fácilmente de una vista general de la máquina.

- [1-1]** Amortiguador de goma
- [1-2]** Pivote de tope
- [1-3]** Empuñaduras
- [1-4]** Interruptor de conexión y desconexión
- [1-5]** Indicador del ancho de orificio del taco
- [1-6]** Palanca de ajuste del ancho de orificio del taco
- [1-7]** Corredera para el ajuste de la profundidad de fresado
- [1-8]** Botón de retención para el ajuste de la profundidad de fresado
- [1-9]** Marcador para el ajuste de la profundidad de fresado
- [1-10]** Desbloqueo de la unidad de motor / bastidor de guía
- [1-11]** Disco de preselección para el ajuste de la altura de fresado
- [1-12]** Palanca de apriete para el ajuste del ángulo de fresado
- [1-13]** Botón para soltar el pivote de tope
- [1-14]** Palanca de apriete para el ajuste de la altura de fresado
- [1-15]** Racor de aspiración
- [1-16]** Bloqueo del husillo
- [1-17]** Cable de conexión a la red

## Sistema electrónico

La máquina dispone de un sistema electrónico de onda completa con las siguientes propiedades:

### Arranque suave

El arranque suave mediante control electrónico garantiza una puesta en marcha de la máquina sin sacudidas.

### Revoluciones constantes

El número de revoluciones del motor se mantiene constante gracias a un sistema electrónico. De este modo se consigue también una velocidad de corte estable bajo carga.

### Protector contra sobretensión

Si la temperatura del motor es demasiado elevada,

el suministro de corriente y el número de revoluciones disminuyen. La máquina sólo funciona con una potencia baja para que pueda enfriarse rápidamente mediante la ventilación del motor. Si el exceso de temperatura persiste, la máquina se desconecta completamente pasados unos 40 segundos. Solo se puede volver a conectar una vez enfriado el motor.

### Protección contra re arranque

La protección contra re arranque integrada impide que la máquina se vuelva a poner en funcionamiento de forma automática tras una caída de la tensión cuando se encuentra en estado de funcionamiento continuo. En ese caso, la máquina debe desconectarse y después volver a conectarse.

## Ajustes



### ADVERTENCIA

#### Tensión o frecuencia no permitida

#### Peligro de caída

- ▶ La tensión de red y la frecuencia de la red eléctrica deben coincidir con los datos que figuran en la placa de tipo.
- ▶ En Norteamérica sólo las máquinas Festool pueden utilizarse con una tensión de 120 V/60 Hz.

### Primera puesta en servicio



### ADVERTENCIA

#### Peligro de lesiones y electrocución

- ▶ Desconectar el enchufe de la toma de corriente antes de realizar cualquier trabajo en la máquina.
- ▶ Con la fresadora de espigas sin conectar, inspeccione la broca para escoplear. Asegúrese de que no esté doblada, desportillada o presente daños, y asegúrese de que esté bien sujeta al husillo (Consulte "Ajustes - Cambiar de herramienta").

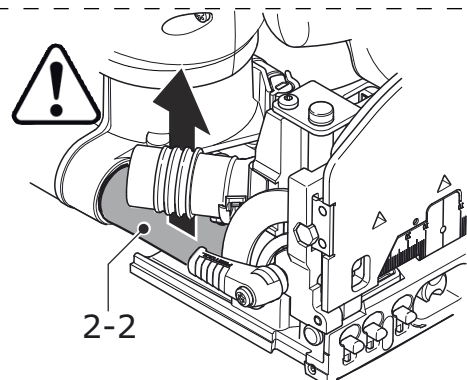
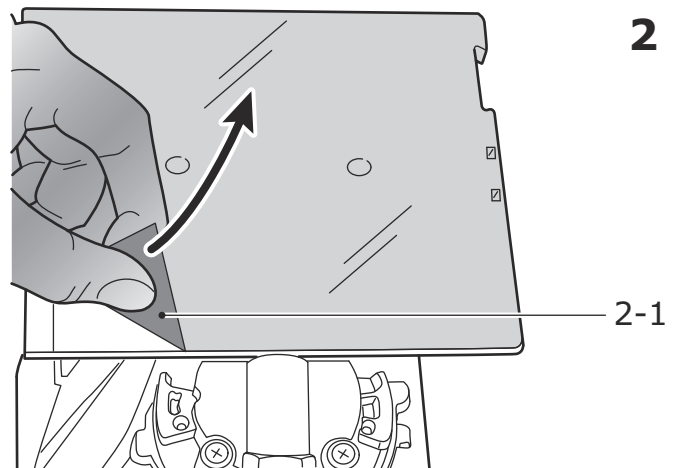


### ADVERTENCIA

#### Evite el uso de brocas que estén torcidas o dañadas.

#### Peligro de lesiones

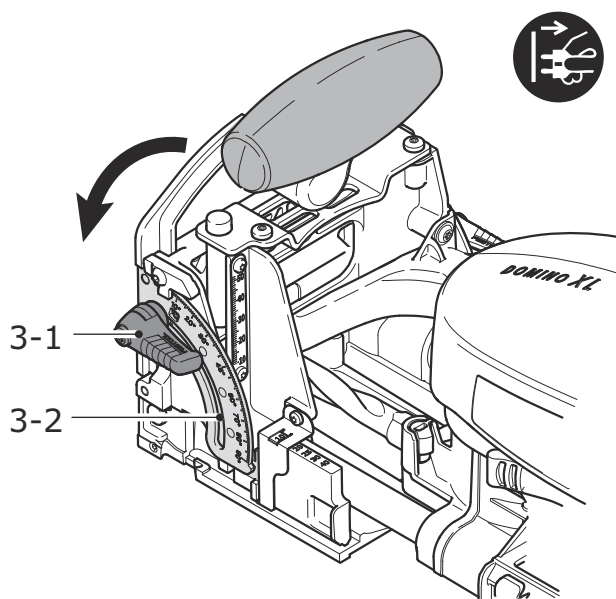
- ▶ Compruebe periódicamente que la broca esté en buen estado.



- ▶ Retire la película protectora **[2-1]** de la parte inferior de la placa de asiento de la fresadora de espigas.
- ▶ Retire el seguro de transporte **[2-2]**.
- ▶ Ajuste la fresadora de espigas al tipo de funcionamiento deseado según se describe en el recordatorio de esta sección.
- ▶ Asegúrese de que la altura de la fresadora y las palancas de bloqueo de ángulo estén debidamente ajustadas.
- ▶ Coloque el cable de alimentación en el receptáculo plug it de la fresadora. (Consulte "Operativa - Cable de alimentación Plug it").

### Ajuste del ángulo de fresado

3



Algunos ensambles requieren que la fresadora esté ajustada en ángulo con la broca. La aplicación más común es la realización de ensambles a inglete.

- ▶ Para su seguridad, desconecte la fresadora de espigas.
- ▶ Afloje la palanca de apriete para el ajuste del ángulo **[3-1]**.
- ▶ Ajuste el ángulo deseado:
  - ▶ Utilice la escala **[3-2]** de modo continuo, de 0° a 90°.
  - ▶ Enclave a 0°; 22,5°; 45°; 67,5°; 90°.
- ▶ Cierre la palanca de apriete **[3-1]**.



En el fresado a inglete, ajuste la altura y la profundidad de fresado en el valor más bajo

posible. De lo contrario existe el riesgo de que la fresa se salga por el otro lado.

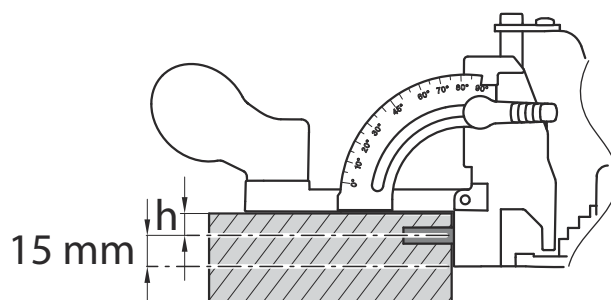
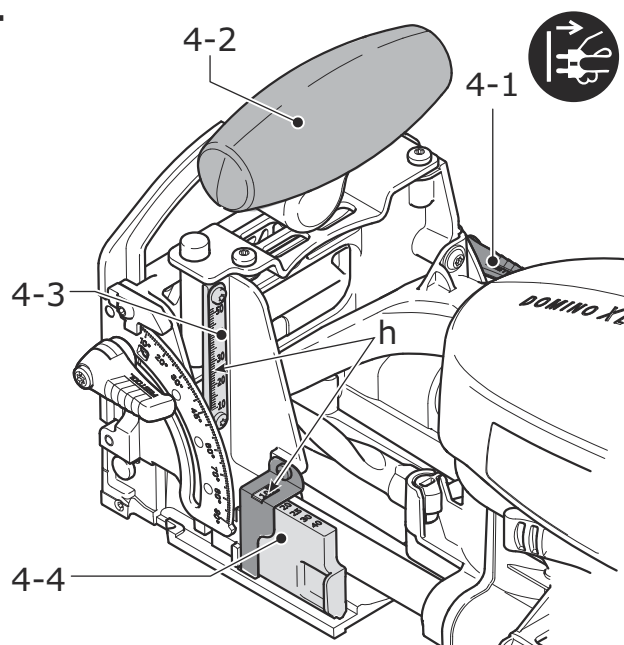
- ① Levantando las palanca de apriete **[3-1]** se pueden ajustar en su posición. En la posición que se muestra, estas no deberían sobresalir de la superficie de contacto.

### Ajuste de la altura de fresado

La altura de la fresadora se deberá ajustar según el tipo de ensamble que se efectúe y según el grosor del material que se tenga que unir. El indicador de altura indica la distancia entre la parte inferior de la fresadora y la línea central de la broca para escoplear.

Existen dos características para ajustar la altura de la fresadora:

4



### a) Con el disco de preselección

- ▶ Afloje la palanca de apriete para el ajuste de la altura de fresado [4-1].
- ▶ Levante la parte anterior del bastidor de guía con la empuñadura delantera [4-2].
- ▶ Con el disco de preselección [4-4], ajuste la altura de fresado deseada  $h$  (10 mm; 15 mm; 20 mm; 25 mm; 30 mm; 40 mm).
- ▶ Presione hacia abajo la parte anterior del bastidor de guía hasta que alcance el tope.
- ▶ Cierre la palanca de apriete [4-1].

### b) Libre elección

- ▶ Afloje la palanca de apriete para el ajuste de la altura de fresado [4-1].
  - ▶ Levante la parte anterior del bastidor de guía con la empuñadura frontal [4-2].
  - ▶ Apriete el disco de preselección [4-4] hasta el tope, en el sentido de la unidad de motor.
  - ▶ Ajuste la altura de fresado  $h$  que desee con la escala [4-3], desplazando la parte anterior del bastidor de guía de forma perpendicular.
  - ▶ Cierre la palanca de apriete [4-1].
- ⓘ Levantando la palanca de apriete [4-1] se pueden ajustar en su posición. En la posición que se muestra, estas no deberían sobresalir de la superficie de contacto.

### Ajuste del ancho de orificio del taco



#### ATENCIÓN

**Podría doblarse o romperse la broca para escoplear y, además, la máquina podría sufrir daños.**

- ▶ No fuerce el disco para que gire.
- ▶ No gire el disco durante el ranurado.

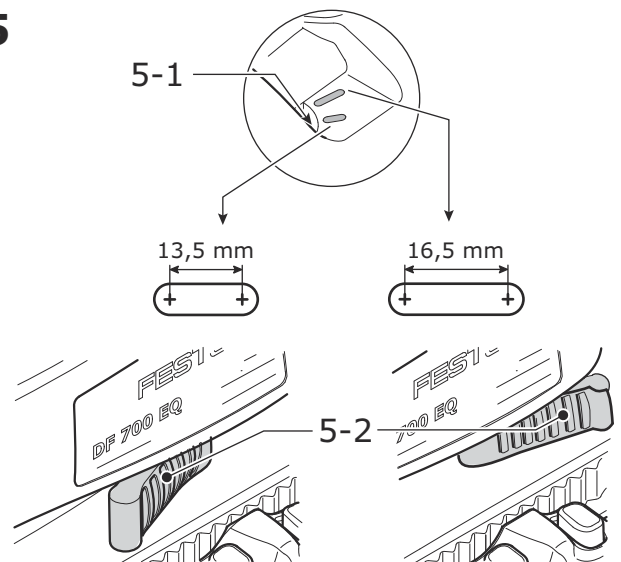
Con la palanca de ajuste [5-2] puede ajustar el ancho de orificio del taco compatible para la fresa o ajustarlo con un juego de 3 mm:

Taco compatible 13,5 mm + diámetro de fresa

Taco con juego late- 16,5 mm + diámetro de fresa  
ral

En la figura [5-1] puede ver el ancho de orificio del taco seleccionado.

5



### Ajuste de la profundidad de fresado

La profundidad de la mortaja determina la profundidad de penetración de la broca para escoplear en la pieza de trabajo. Por tanto, se puede ajustar para los diferentes tamaños de espiga.

En muchos casos, la espiga debe centrarse sobre la unión y la profundidad de la mortaja debería ser la  $\frac{1}{2}$  de la longitud la espiga. No obstante, en ciertos casos se puede desear introducir una porción mayor de la espiga en una pieza que en la otra. En este caso, la suma de las dos profundidades deberá ser igual a la longitud de la espiga.



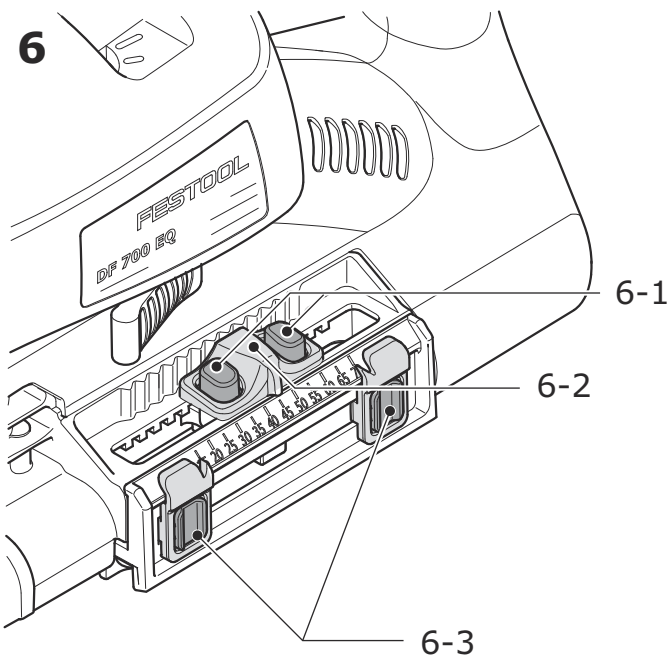
#### ADVERTENCIA

**La fresa puede salirse por el lado posterior de la pieza de trabajo.**

#### Peligro de lesiones

- ▶ Ajuste la profundidad de fresado al menos 5 mm por debajo del espesor de la pieza de trabajo.

- ▶ Pulse uno o ambos botones de retención [6-1].
  - ▶ Ajuste la corredera para la regulación de la profundidad de fresado [6-2] a la profundidad de fresado deseada (15-70 mm).
  - ▶ Suelte el botón de retención [6-1].
  - ▶ Compruebe si la corredera [6-2] está enclavada.
- ⓘ Con ambos marcadores [6-3] puede marcar dos profundidades de fresado y cambiar fácilmente de una a otra con la corredera [6-2] (p. ej. en el caso de una distribución asimétrica de la profundidad de los tacos DOMINO).



### Cambiar de herramienta

Están disponibles diferentes tipos de brocas para una variedad de tamaños diferentes de espigas DOMNO. El modelo DF 700 EQ viene equipado con una broca de 12 mm con las opciones disponibles de 8, 10, 14 mm.



### ADVERTENCIA

#### Peligro de lesiones y electrocución

- ▶ Desconectar el enchufe de la toma de corriente antes de realizar cualquier trabajo en la máquina.



### ATENCIÓN

#### Herramienta caliente y afilada

#### Peligro de lesiones

- ▶ Utilice guantes de protección.



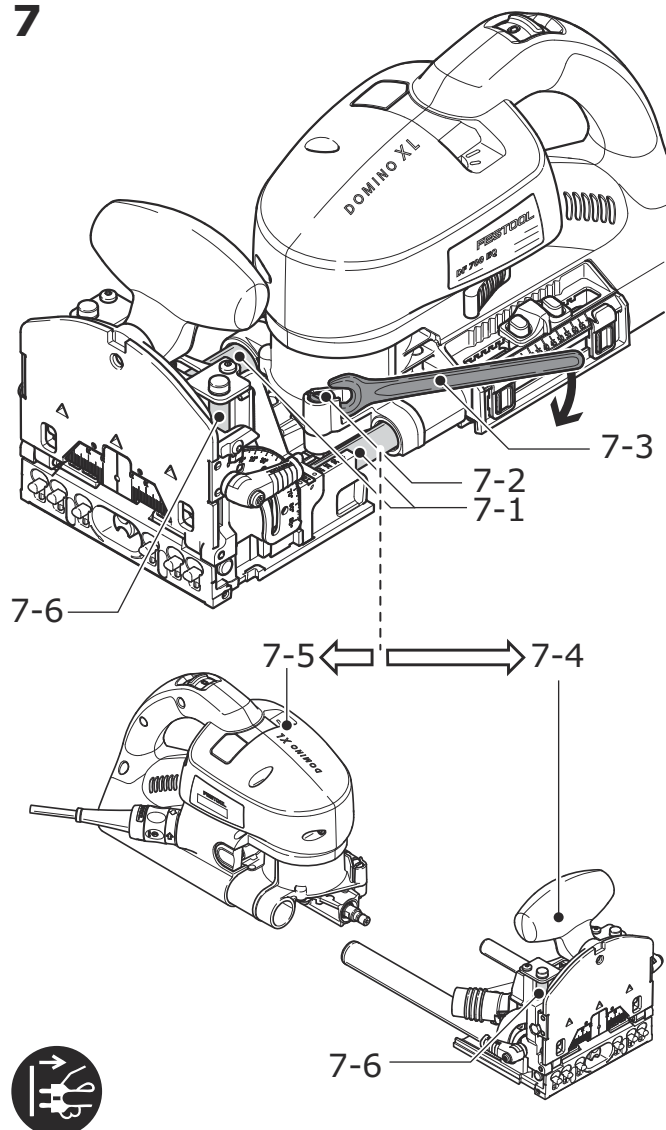
### ADVERTENCIA

#### Peligro de lesiones

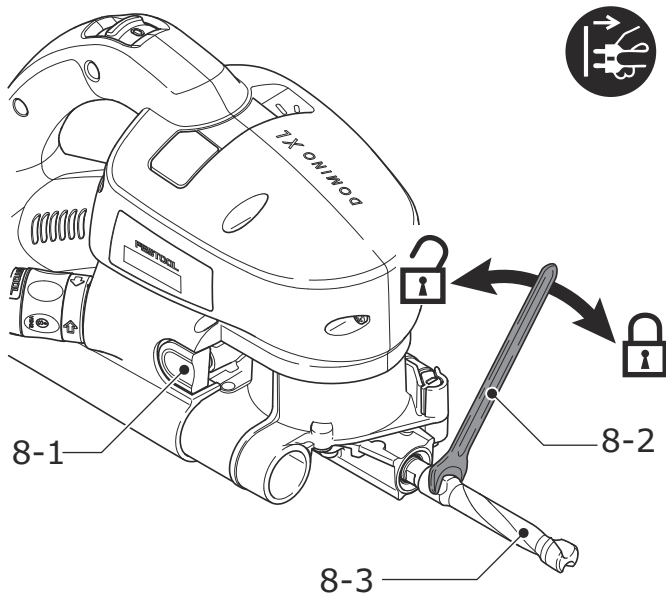
- ▶ No trabaje con fresas desafiladas o dañadas,
- ▶ Solo se deben montar fresas de Festool en la herramienta eléctrica.
- ▶ No reafile las fresas más de dos veces.

### Extracción de la herramienta

7



- ▶ Levante el desbloqueo [7-2] hasta que oiga que la máquina se desenchava con la llave bifurcada suministrada (SW 12) [7-3].
- ▶ Separe la unidad de motor [7-5] y el bastidor de guía [7-4].
- ▶ Mantenga presionado el bloqueo del husillo [8-1].
- ▶ Suelte la fresa [8-3] con la llave bifurcada [8-2] y retírela.
- ▶ Suelte el bloqueo del husillo [8-1].



## 8

### Inserción de la herramienta



#### ADVERTENCIA

#### Peligro de lesiones

- ▶ Antes de utilizar una nueva fresa, compruebe que la máquina, el bastidor de guía y las guías [7-1] están limpias.
- ▶ Retire la suciedad que puedan presentar.
- ▶ Utilice exclusivamente herramientas afiladas, limpias y sin ningún tipo de daño.

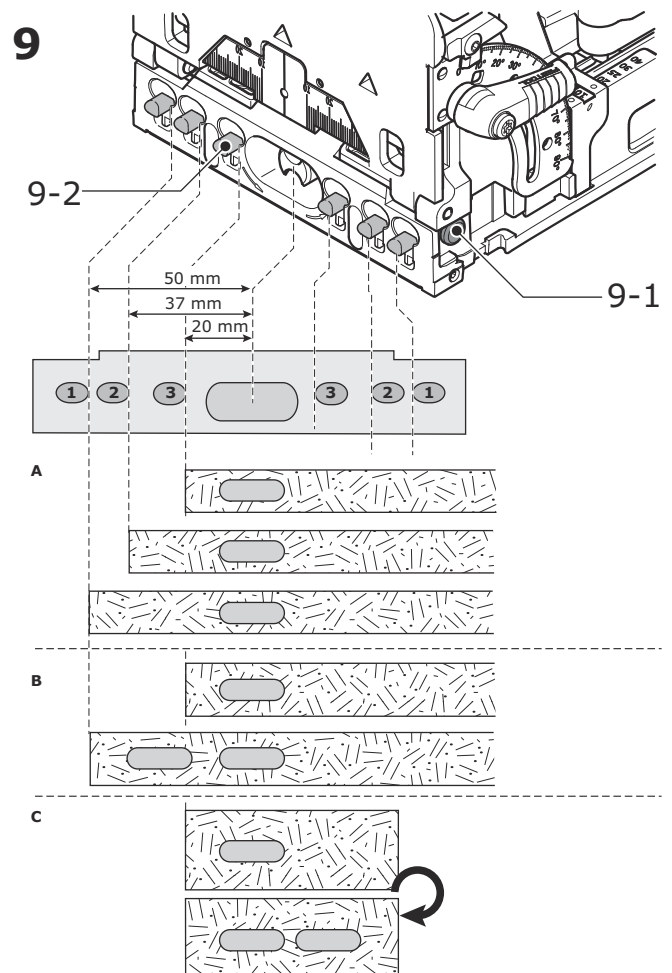
- ▶ Mantenga presionado el bloqueo del husillo [8-1].
- ▶ Desatornille la fresa [8-3] con la llave de boca [8-2].
- ▶ Suelte el bloqueo del husillo [8-1].
- ▶ Desplace el bastidor de guía [7-4] hasta que oiga que encaja en la unidad de motor [7-5].

### Ajuste del pivote de tope

Los pivotes de tope situados en la parte frontal de la fresadora se utilizan para apoyar la herramienta contra el borde de la pieza de trabajo. De este modo se obtiene una colocación rápida y precisa de la pieza de trabajo.

En la cara de contacto de la fresadora de tacos hay seis pivotes de tope [9-2].

Los pivotes de tope no necesarios se pueden enclavar de forma individual presionándolos energíicamente y se pueden soltar mediante el botón [9-1].



Actúan como distanciadores con respecto al centro de la fresa y se pueden utilizar de diversas formas - véase figura [9]:

- A Tres posibles distancias con respecto a un punto de referencia (1 - 2 - 3)

B Dos orificios de tacos, uno al lado del otro, con respecto a un punto de referencia (1 - 3)

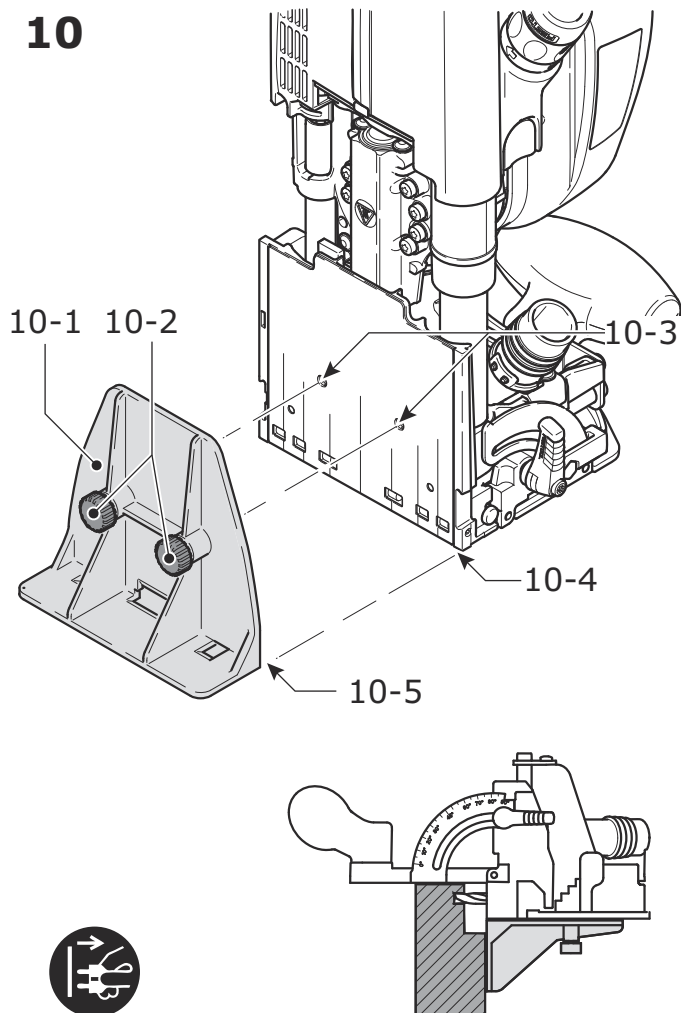
C Dos orificios de tacos al girar la pieza de trabajo, p. ej. para friso transversal.

### Ampliación de apoyo


Mediante la ampliación de apoyo [10-1] se puede ampliar la superficie de apoyo al fresar en los cantos de las piezas y, de este modo, el guiado de la máquina resulta más seguro.

- Fije la ampliación de apoyo con ambos tornillos [10-2] en los orificios roscados [10-3] del bastidor de guía.

*La superficie de apoyo de la ampliación de apoyo [10-5] y de la mesa [10-4] deben quedar totalmente planas.*



## Operativa

 Durante el trabajo, tenga en cuenta todas las indicaciones de seguridad mencionadas al principio de este documento, así como las normas siguientes:

- Fije la pieza de trabajo siempre de forma que no se pueda mover cuando se trabaje con ella.
- Durante el trabajo, sujete la máquina siempre con ambas manos por las empuñaduras **[1-3]**. De este modo, evitará posibles accidentes y conseguirá aumentar la precisión del trabajo.
- Cierre la palanca de apriete para el ajuste de la altura de fresado **[1-14]** y del ángulo de fresado **[1-12]**, de modo que no pueda soltarse de forma involuntaria durante el funcionamiento de la máquina.

- Ajuste la velocidad de avance al diámetro de la fresa y al material. Trabaje con una velocidad de avance constante.
- No retire la máquina hasta que la fresa se haya detenido completamente.
- Conecte siempre la máquina a la aspiración.



En caso de trabajos que produzcan polvo, utilice una mascarilla.

### Cable de alimentación Plug it

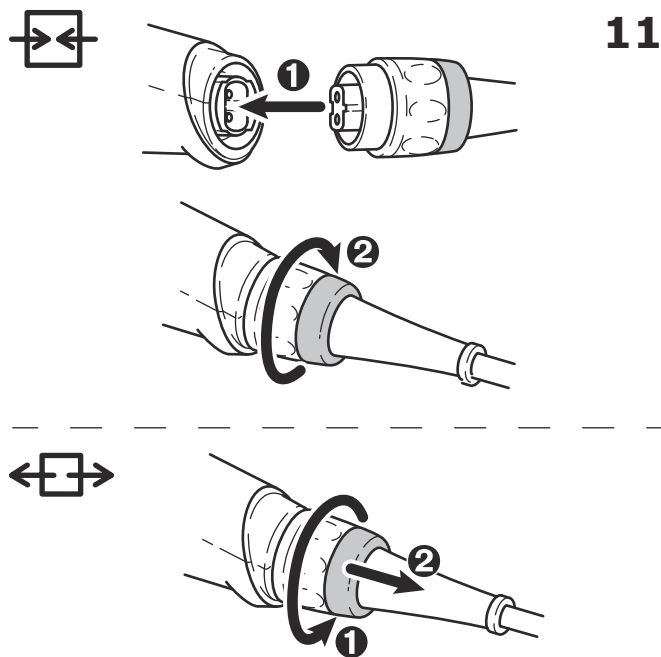
La fresadora Domino viene equipada con un cable de alimentación extraíble tipo plug it.

Para colocar el cable de alimentación, introdúzcalo en el orificio de entrada de la herramienta mante-



niendo la llave y la junta dentada alineadas y, a continuación, gire la anilla de bloqueo.

Invierta el proceso para retirar el cable.



### Conexión y desconexión

**ADVERTENCIA**

**Peligro de lesiones**

- ▶ No conecte nunca la herramienta con el cuerpo de la fresadora retirado, ya que de este modo el cortador giratorio queda al descubierto.
- ▶ Antes de encender la máquina, asegúrese de que todas las empuñaduras estén bien ajustadas y bloqueadas y de que la herramienta se puede conectar sin que exista peligro alguno.

El interruptor [1-4] sirve como interruptor de conexión y desconexión (I = CONECTADO, 0 = DESCONECTADO).

### Alargador

Si fuera necesario utilizar un alargador, éste deberá estar provisto de una sección transversal suficiente como para evitar una pérdida excesiva de voltaje o que se produzca un sobrecalentamiento. Una pérdida excesiva de voltaje reduce el rendimiento y puede causar el fallo del motor. La tabla que aparece a continuación indica el diámetro correcto del cable en función de la longitud del cable de ésta máquina.

Longitud total del cable alargador (pie)	25	50	100	150
Dimensiones del cable (AWG)	18	16	16	14

Use sólo los alargadores U.L. y CSA que figuran en la relación.

No utilice nunca dos alargadores juntos. Se recomienda usar un solo cable largo.

① Cuanto menor sea el número AWG, más fuerte será el cable.

### Aspiración

**ADVERTENCIA**

**Consecuencias perjudiciales para la salud a causa del polvo**

- ▶ El polvo puede ser perjudicial para la salud. Por este motivo, no trabaje nunca sin aspiración.
- ▶ Durante la aspiración de polvo perjudicial para la salud, respete siempre las normativas nacionales.

En los racores de aspiración [1-15] puede conectarse un aspirador Festool con un diámetro de tubo flexible de aspiración de 27 mm.

## Trabajo con la máquina

### Descripción general, observaciones y recomendaciones

La madera es un material natural heterogéneo. Por consiguiente, durante su tratamiento se puede producir cierta alteración de las dimensiones, aún cuando la máquina esté ajustada con exactitud. La precisión del trabajo también puede verse afectada por el manejo de la máquina (p. ej. velocidad de avance). Por otra parte, las dimensiones de las pie-

zas DOMINO fabricadas en madera pueden asimismo variar en función del lugar de almacenamiento (p. ej. humedad). Todos estos factores hacen difícil mantener las dimensiones originales de los orificios y ensamblajes de tacos.

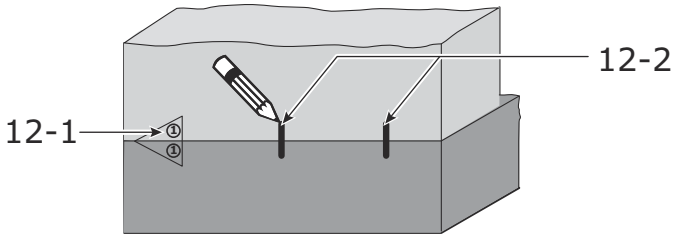
① **Recomendamos** que antes del tratamiento de la pieza de trabajo definitiva se realicen un fresado y un ensamblaje en una pieza de prueba.

## Ensamble - Procedimiento

Proceda como se describe a continuación para efectuar una unión de tacos DOMINO:

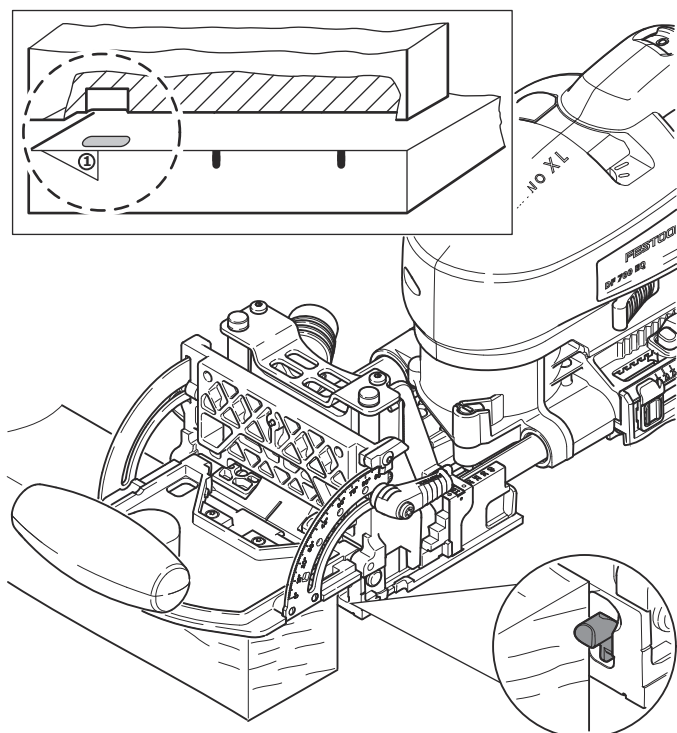
### Vea pagina

- |  |    |
|--|----|
| 1. Seleccione un taco DOMINO y coloque la fresa adecuada en la fresadora de tacos.   | 46 |
| 2. Ajuste la profundidad de fresado.   | 45 |
| 3. Ajuste la altura de fresado.  | 44 |
| 4. Si fuera necesario, ajuste el ángulo de fresado.  | 44 |
| 5. Marque las superficies de las piezas de trabajo <b>[12-1]</b> para asegurarse de que podrá volver a montarlas correctamente tras fresar los orificios de tacos. |    |



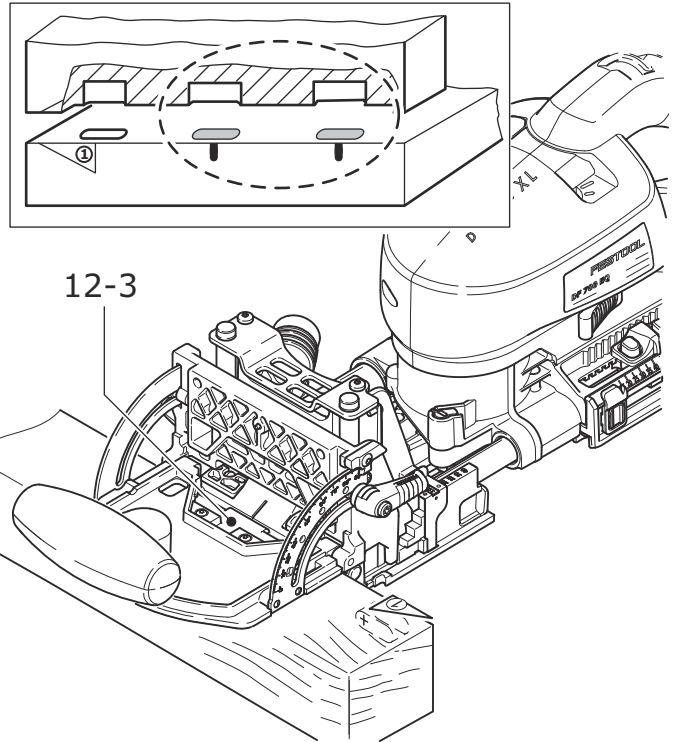
- |   |  |
|---|--|
| 6. A Sitúe una pieza de trabajo junto a la otra y marque las posiciones deseadas de los tacos DOMINO con un lápiz <b>[12-2]</b> . |  |
|---|--|

- |  |    |
|--|----|
| 6. Seleccione los pivotes de tope necesarios.  | 47 |
| 7. Ajuste el ancho de orificio del taco deseado (compatible o con un juego de 3 mm). | 45 |



### Vea pagina

- |  |  |
|--|--|
| 8. Frese los orificios de tacos <b>[12]</b> :  |  |
| - El primero, colocando el pivote de tope en el canto lateral de la pieza de trabajo,  |  |
| - Los siguientes, teniendo en cuenta las marcas realizadas con el lápiz y conforme a la escala de la ventana <b>[12-3]</b> . |  |



**Recomendación:** compruebe que ningún orificio del taco contenga virutas y, en su caso, retírelas.

Trabaje siempre con un dispositivo de aspiración del polvo para mejorar el transporte de las virutas.

Frese el primer agujero sin juego en cada pieza de trabajo (anchura del orificio para clavijas = anchura de las clavijas Domino) y continúe con la siguiente anchura disponible.



### ADVERTENCIA

**Cualquier trabajo de mantenimiento o reparación que requiera abrir el motor o la carcasa del engranaje deberá ser realizado únicamente por un Centro de Atención al Cliente (nombre proporcionado por su concesionario).**

- ▶ Los trabajos de mantenimiento o reparación realizados por una persona no autorizada podrían provocar la conexión incorrecta de los conductores de alimentación u otros componentes, lo que a su vez podría provocar accidentes con consecuencias graves.



### ADVERTENCIA

**Para prevenir los accidentes, antes de realizar cualquier trabajo de mantenimiento o reparación en la máquina retire siempre el enchufe de la toma de corriente.**

- ▶ No utilice aire a presión para limpiar las herramientas eléctricas. No intente limpiar las partes internas de la máquina de este modo, ya que podría permitir la entrada de objetos extraños a través de las aperturas de la carcasa de la máquina.



### ATENCIÓN

**Algunos productos de limpieza y disolventes resultan perjudiciales para las piezas de plástico.**

- ▶ Algunos de ellos incluyen, entre otros, gasolina, acetona, metilacetona (MEK) y oxocloruro de carbono. Los productos de limpieza normalmente contienen cloro y amoníaco y los productos de limpieza del hogar contienen amoníaco.

El aparato está equipado con escobillas especiales autodesconectables. Si las escobillas están desgastadas, se interrumpe automáticamente la corriente y el aparato se detiene.

- ① Le recomendamos que una vez al año o cada 100 horas de funcionamiento se dirija a un taller de servicio autorizado para someter la herramienta a una revisión. De este modo, se garantiza la seguridad del usuario y la estabilidad de la herramienta eléctrica.

### Tareas periódicas de mantenimiento

La máquina no requiere gran cantidad de tareas periódicas de mantenimiento, pero sí de limpieza. Para obtener un buen rendimiento y una vida útil larga, se recomienda mantener limpia la máquina.

- ▶ A fin de garantizar una correcta circulación del aire, las aberturas para el aire de refrigeración dispuestas en la carcasa deben mantenerse libres y limpias.
- ▶ Emplee siempre un dispositivo de recogida de polvo.
- ▶ Inspeccione regularmente la broca para escopear a fin de detectar posibles daños, desgaste o agarrotamiento. Afile y sustituya la broca cuando sea necesario.
- ▶ No intente afilar la broca. La broca debe ser afilada exclusivamente por un servicio de afilado autorizado.
- ▶ Para obtener buenos resultados, sólo debe afilarse la punta de la broca, no los laterales.
- ▶ Antes de sustituir la broca, la cantidad máxima recomendada de material eliminado de la punta mediante afilado es de 1 mm aproximadamente. Una cantidad mayor provocaría que la broca fuera demasiado corta para ajustar adecuadamente las espigas.

### Limpieza y mantenimiento

- ▶ Aplique aire comprimido a baja presión en el exterior de la máquina a fin de eliminar restos de serrín, pero no aplique aire directamente en los orificios de ventilación situados en la parte posterior del motor, ya que se podrían introducir en el mismo.
- ▶ Aplique aire para eliminar el serrín acumulado en la zona de la broca.
- ▶ No retire el cuerpo de la fresadora del alojamiento del motor cuando la fresadora de espigas esté cubierta de serrín.
- ▶ Con la parte exterior de la fresadora de espigas limpia de serrín, retire el cuerpo de la fresadora del alojamiento del motor y limpie las guías lineales:
  - ▶ Para ello, utilice un trapo suave de algodón.
  - ▶ Elimine los restos de polvo del interior de los orificios lineales aplicando aire comprimido.
  - ▶ Pase un trapo suave de algodón por el interior

de los cojinetes lineales de bronce.

- ▶ Mantenga limpias las guías **[7-1]** y **[7-6]**.
- ▶ De forma periódica, engrase ligeramente el guíado con aceite libre de resinas (p. ej., aceite para

máquinas de coser).

- ▶ No guarde la fresadora de espigas con el cuerpo de la fresadora separado del alojamiento del motor, ya que podría introducirse polvo y residuos en las guías lineales.

## Reparación de averías

Error	Motivo	Solución
Quemaduras	Fresa desafilada	Utilice una fresa afilada
Orificio del taco demasiado estrecho, no se puede machihembrar el taco DOMINO	a. Fresa desafilada b. Depósitos (p. ej. virutas en el orificio de taco)	a. Utilice una fresa afilada b. Retire los depósitos y trabaje con un dispositivo de aspiración del polvo
Ensanchamiento del orificio de taco con una fresa de 8 mm.	Profundidad de fresado demasiado grande (superior a 50 mm)	Reduzca la profundidad de fresado (máx. 50 mm)
Desgarros en el borde del orificio para clavijas	Velocidad de avance demasiado elevada	Reduzca la velocidad de avance
El orificio para clavijas no es paralelo a los bordes de la pieza de trabajo	La pieza de trabajo se ha movido durante el tratamiento	Fije la pieza de trabajo convenientemente
La herramienta no se afloja al cambiar la herramienta	El bloqueo del husillo no funciona	Gire el husillo con la llave bifurcada en sentido contrario a la herramienta. Si el problema persiste, contacte con el servicio de atención al cliente
La posición de los orificios de los tacos realizados con uno de los pivotes de tope izquierdos y otro de los derechos no coincide totalmente.	Los pivotes de tope seleccionados en el lado derecho y en el izquierdo son diferentes.	Seleccione los mismos pivotes de tope en el lado derecho y en el izquierdo
La fresadora de tacos se desplaza de forma irregular, funciona a sacudidas	a. No se ha conectado ningún dispositivo de aspiración b. Amortiguador de goma <b>[1-1]</b> desgastado	a. Conecte dispositivo de aspiración b. Cambie el amortiguador de goma (pieza de recambio)

## Accesorios

Utilice únicamente los accesorios Festool originales y el material de consumo Festool diseñados para esta máquina, puesto que los componentes de este sistema están óptimamente adaptados entre sí. La utilización de accesorios y material de consumo de otros fabricantes puede afectar a la calidad de los resultados de trabajo y conllevar una limitación de los derechos de la garantía. El desgaste de la máquina o de su carga personal puede variar en función de la aplicación. Utilice únicamente accesorios originales y material de consumo de Festool para su propia protección y la de la máquina, así

como de los derechos de la garantía.

Los números de pedido de los accesorios y las herramientas figuran en el catálogo de Festool o en la dirección de Internet [www.festoolusa.com](http://www.festoolusa.com).

### Accesorio especial para fresadoras de tacos

Festool cuenta con un amplio catálogo de accesorios que le permiten hacer un uso amplio y variado de su máquina, p. ej.:

- Tope redondo RA-DF 500/700
- Tope transversal QA-DF 500/700
- Tope longitudinal LA-DF 500/700

Para el montaje puede consultar las instrucciones de montaje adjuntas al final del manual de instrucciones.

## Systainer

Muchos de los productos Festool se entregan en un embalaje exclusivo denominado "Systainer" que sirve de protección a la herramienta y sus complementos, además de facilitar su almacenamiento. Los Systainer pueden apilarse y encajan unos con otros. Además se adaptan sin problema a cualquier aparato de aspiración CT de Festool.

### Para abrir el Systainer



Gire el T-loc [13-1] a esta posición.

### Para cerrar el Systainer



Gire el T-loc [13-1] a esta posición.

### Para encajar dos Systainer

Ponga el Systainer sobre un otro (Fig. [13 A]).



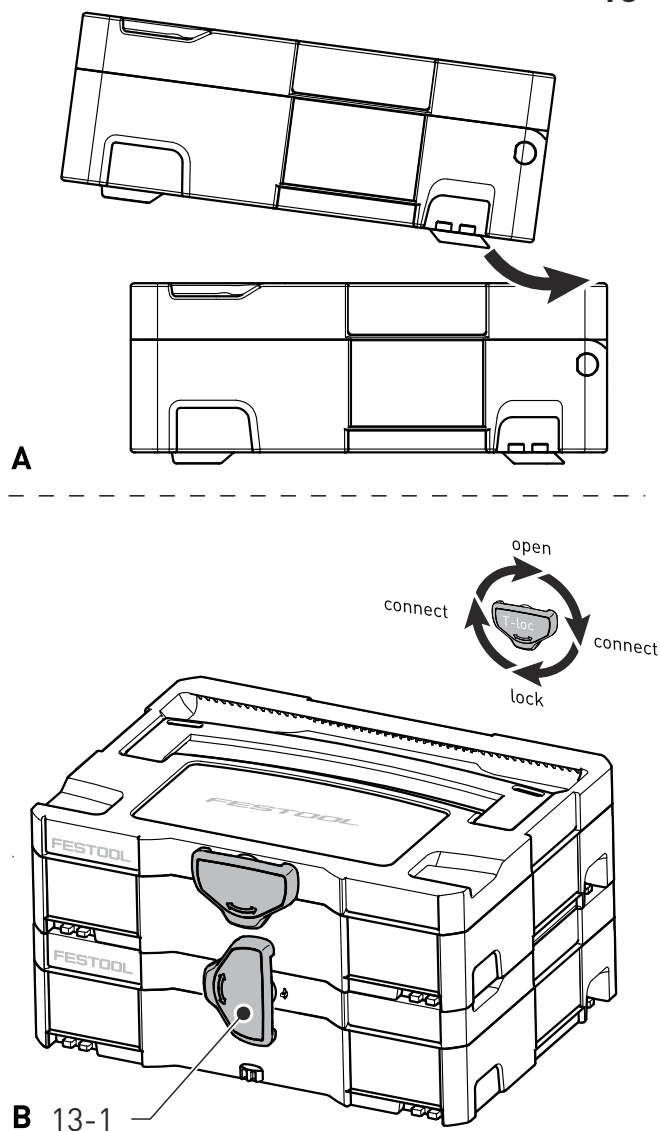
Gire el T-loc [13-1] a una de estas posiciones (Fig. [13 B]).

Los Systainers están encajados y cerrados.

- ① Un Systainer de la nueva generación es encajable encima de un Systainer de la generación anterior con los cuatro enganches del Systainer

anterior.

13



## Medio ambiente

**¡No deseche las herramientas eléctricas junto con los residuos domésticos!** Recicle los aparatos, accesorios y embalajes de forma respetuosa con el

medio ambiente. Tenga en cuenta la normativa vigente del país.

## Garantía

### Garantía 1+2

Festool ofrece una garantía limitada de 3 años, una de las más sólidas de la industria. Esta garantía será válida con la condición previa de que la herramienta se utilice conforme a las instrucciones de funcionamiento de Festool. Festool garantiza que la herramienta especificada no presentará defec-

tos de material o de acabado durante un periodo de 3 años a partir de la fecha de compra.

### Condiciones de la garantía 1+2

Al adquirir una herramienta eléctrica nueva de Festool en un distribuidor autorizado, todos los clientes recibirán de forma gratuita una garantía limitada ampliada (1 año + 2 años = 3 años). Festool será responsable de todos los gastos de envío durante el primer año de vigencia de la garantía. Du-

rante el segundo y tercer año, el cliente será responsable del envío de la herramienta a Festool. Festool pagará la devolución al cliente utilizando el servicio UPS Ground. Todos los servicios de garantía serán válidos durante 3 años a partir de la fecha de compra que figura en el recibo o factura. Puede que se precise una prueba de compra.

**Quedan excluidos de la cobertura de la presente garantía** el desgaste normal, los daños ocasionados por un uso indebido, abuso o negligencia; los daños provocados por otra causa que no sea un defecto de material o de acabado. La presente garantía no es aplicable a elementos accesorios tales como hojas de sierra circulares, brocas, puntas de fresadora, hojas de calar, bandas lijadoras y ruedas de amolar. El hecho de utilizar la herramienta a una tensión o una frecuencia diferentes de los valores nominales anulará la garantía. Esto incluye el uso de la herramienta combinada con un transformador. Festool no aprueba ni apoya el uso, con productos Festool, de accesorios o consumibles que no hayan sido construidos, diseñados y fabricados por Festool. La utilización de cualquier producto que no sea de Festool puede afectar al rendimiento o anular la garantía. Festool no se responsabilizará de ningún daño o pérdida y el usuario asumirá los riesgos y la responsabilidad por el uso de productos no derivados de Festool. Se excluyen asimismo las "piezas de desgaste" como, por ejemplo, cepillos de carbón, láminas de herramientas neumáticas, abrazaderas y juntas de caucho, platos lijadores y artículos de ropa de Festool (gorras y camisetitas).

Las obligaciones de Festool, según su propio criterio y de acuerdo con la presente garantía, se limitarán a la reparación, sustitución o reembolso del precio de compra de cualquier herramienta eléctrica portátil de Festool en la que se haya detectado un defecto de material o de acabado durante el periodo de garantía. FESTOOL NO SERÁ RESPONSA-

BLE DE NINGÚN DAÑO CONSECUENCIAL, INCIDENTAL O ESPECIAL, INDEPENDIEMENTE DEL FUNDAMENTO LEGAL EN EL QUE SE BASE LA RECLAMACIÓN. TODAS LAS GARANTÍAS IMPLÍCITAS DE ACUERDO CON LA LEGISLACIÓN ESTATAL, INCLUIDAS LAS DE COMERCIALIZACIÓN Y ADECUACIÓN PARA UN FIN PARTICULAR, SE LIMITARÁN POR LA PRESENTE A UNA DURACIÓN DE TRES AÑOS.

En determinados estados de EE. UU. y provincias de Canadá, las limitaciones de duración de una garantía implícita no están permitidas, de modo que es posible que la limitación anterior no sea aplicable en su caso. La presente garantía le otorga derechos legales específicos; además, es posible que goce de otros derechos que varíen en los diferentes estados de EE. UU. y provincias de Canadá.

A excepción de cualquier garantía implícita de acuerdo con la legislación estatal o provincial y limitada según lo expuesto anteriormente, la garantía limitada expresa precedente será exclusiva y sustituirá a todas las demás garantías, acuerdos y obligaciones similares de Festool. Festool no concede ninguna otra garantía, ya sea expresa o implícita, para sus herramientas eléctricas portátiles. Esta póliza de garantía únicamente será válida para aquellas herramientas que se hayan adquirido en EE. UU. y Canadá. Las pólizas de garantía de otros países podrán diferir al acudir al servicio de garantía fuera de EE. UU. y Canadá. Determinados países excluyen de la garantía los productos adquiridos fuera de su territorio. Festool se reserva el derecho de rechazar la reparación de cualquier herramienta que no forme parte de la línea de productos de EE. UU./Canadá. Ningún agente, representante, distribuidor, proveedor o empleado de Festool estará autorizado a incrementar o modificar las obligaciones o limitaciones estipuladas en la presente garantía.