

## **Instruction manual - Tenon jointer**

Page 6

**IMPORTANT:** Read and understand all instructions before using.

## **Guide d'utilisation - Fraiseuse**

Page 23

**IMPORTANT:** Lire et comprendre toutes les instructions avant de démarrer les travaux.

## **Manual de instrucciones - Fresadora de espigas**

Pagina 42

**IMPORTANTE:** Lea y comprende todas las instrucciones antes de usar.

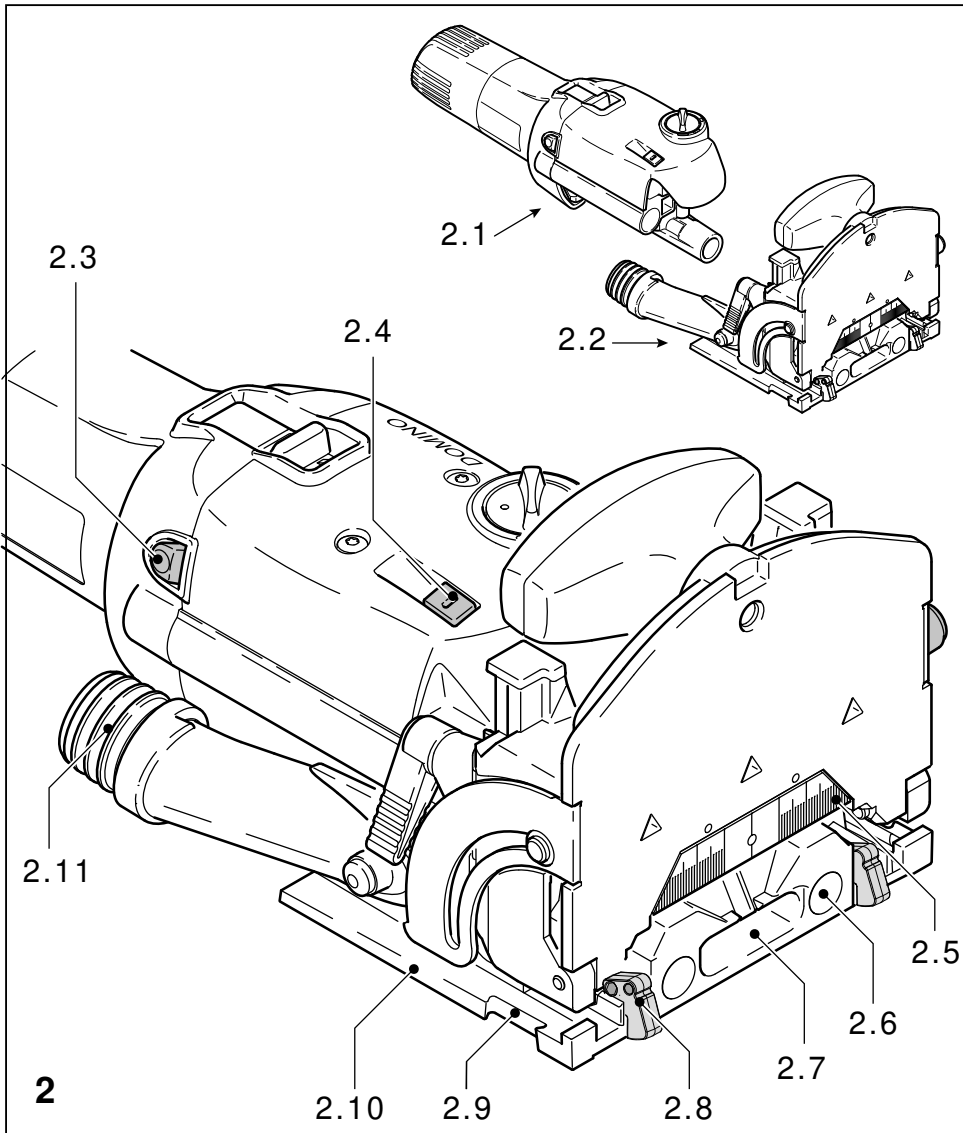
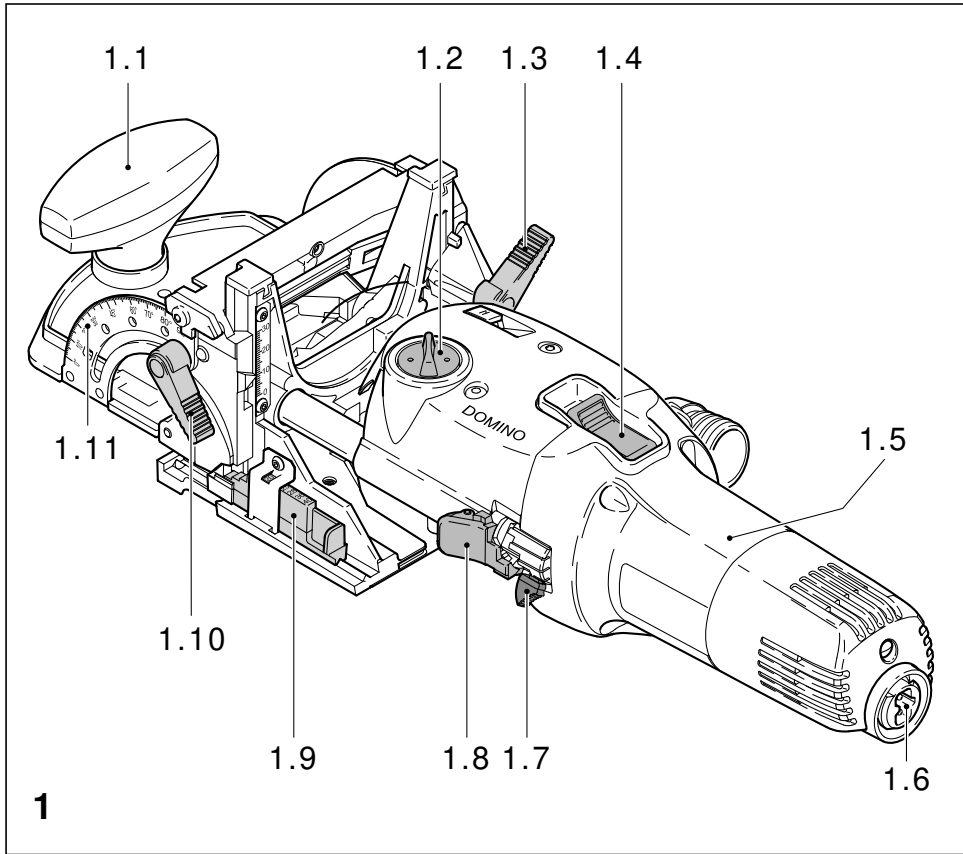
Instruction manual  
Guide d'utilisation  
Manual de instrucciones

*DOMINO*  
**DF 500**











---

## Table of contents

---

<b>Safety rules</b> .....	<b>6</b>
<b>Tool description</b> .....	<b>8</b>
Technical specification .....	8
Symbols .....	8
Intended use .....	8
Functional description .....	8
<b>Setup</b> .....	<b>9</b>
Setting up a new Domino Joiner .....	9
Setting the Fence Angle .....	9
Setting the Fence Height .....	9
Setting the Mortise Width .....	10
Setting the Mortise Depth .....	10
Changing the Mortising Bit .....	11
<b>Operation</b> .....	<b>11</b>
Plug it Power Cord .....	12
Turning on the Joiner .....	12
Extension Cable .....	12
Dust Extraction .....	12
Using the stop latches.....	12
Side stop with extension .....	13
<b>Working with the machine</b> .....	<b>13</b>
Overview, General Notes and Tips .....	13
Joining - Procedure .....	14
<b>Maintenance</b> .....	<b>15</b>
Fixing the clamp lever.....	16
Changing the stop latches .....	16
Calibrating the Horizontal Position Gauge ...	16
<b>Accessories, Tools</b> .....	<b>17</b>
<b>Applications</b> .....	<b>18</b>
<b>Troubleshooting</b> .....	<b>21</b>

---

## Safety rules

---

### General safety rules

**⚠ WARNING** Read and understand all instructions. Failure to follow all instructions listed below may result in electric shock, fire and/or serious personal injury.

### SAVE ALL WARNINGS AND INSTRUCTIONS FOR FUTURE REFERENCE.

The term “power tool” in the warnings refers to your mains-operated (corded) power tool or battery-operated (cordless) power tool.

#### 1) Work area safety

**a) Keep work area clean and well lit.** Cluttered and dark areas invite accidents.

**b) Do not operate power tools in explosive atmospheres, such as in the presence of flammable liquids, gases or dust.** Power tools create sparks which may ignite the dust or fumes.

**c) Keep children and bystanders away while operating a power tool.** Distractions can cause you to lose control.

#### 2) Electrical safety

**a) Power tool plugs must match the outlet. Never modify the plug in any way. Do not use any adapter plugs with earthed (grounded) power tools.** Unmodified plugs and matching outlets will reduce risk of electric shock.

**b) Avoid body contact with earthed or grounded surfaces such as pipes, radiators, ranges and refrigerators.** There is an increased risk of electric shock if your body is earthed or grounded.

**c) Do not expose power tools to rain or wet conditions.** Water entering a power tool will increase the risk of electric shock.

**d) Do not abuse the cord. Never use the cord for carrying, pulling or unplugging the power tool. Keep cord away from heat, oil, sharp edges or moving parts.** Damaged or entangled cords increase the risk of electric shock.

**e) When operating a power tool outdoors, use an extension cord suitable for outdoor use.** Use of a cord suitable for outdoor use reduces the risk of electric shock.

**f) If operating a power tool in a damp location is unavoidable, use a residual current device (RCD) protected supply.** Use of an RCD reduces the risk of electric shock.

#### 3) Personal safety

**a) Stay alert, watch what you are doing and use common sense when operating a power tool. Do not use a power tool while you are tired or under the influence of drugs, alcohol or medication.** A moment of inattention while operating power tools may result in serious personal injury.

**b) Use safety equipment. Always wear eye protection.** Safety equipment such as dust mask, non-skid safety shoes, hard hat, or hearing protection used for appropriate conditions will reduce personal injuries.

**c) Avoid accidental starting. Ensure the switch is in the off position before plugging in.** Carrying power tools with your finger on the switch or plugging in power tools that have the switch on invites accidents.

**d) Remove any adjusting key or wrench before turning the power tool on.** A wrench or a key left attached to a rotating part of the power tool may result in personal injury.

**e) Do not overreach. Keep proper footing and balance at all times.** This enables better control of the power tool in unexpected situations.

**f) Dress properly. Do not wear loose clothing or jewellery. Keep your hair, clothing and gloves away from moving parts.** Loose clothes, jewellery or long hair can be caught in moving parts.

**g) If devices are provided for the connection of dust extraction and collection facilities, ensure these are connected and properly used.** Use of these devices can reduce dust related hazards.

#### 4) Tool use and care

**a) Do not force the power tool. Use the correct power tool for your application.** The correct power tool will do the job better and safer at the rate for which it was designed.

**b) Do not use the power tool if the switch does not turn it on and off.** Any power tool that cannot be controlled with the switch is dangerous and must be repaired.

**c) Disconnect the plug from the power source before making any adjustments, changing accessories, or storing power tools.** Such preventive safety measures reduce the risk of starting the power tool accidentally.

**d) Store idle power tools out of the reach of children and do not allow persons unfamiliar with the power tool or these instructions to operate the power tool.** Power tools are dangerous in the hands of untrained users.

**e) Maintain power tools. Check for misalignment or binding of moving parts, breakage of parts and any other condition that may affect the power tools operation. If damaged, have the power tool repaired before use.** Many accidents are caused by poorly maintained power tools.

**f) Keep cutting tools sharp and clean.** Properly maintained cutting tools with sharp cutting edges are less likely to bind and are easier to control.

**g) Use the power tool, accessories and tool bits etc., in accordance with these instructions and in the manner intended for the particular type of power tool, taking into account the working conditions and the work to be performed.** Use of the power tool for operations different from those intended could result in a hazardous situation.

**h) Keep handles dry, clean and free from oil and grease.** Slippery handles do not allow for safe handling and control of the tool in unexpected situations.

#### 5) Service

**a) Have your power tool serviced by a qualified repair person using only identical replacement parts.** This will ensure that the safety of the power tool is maintained.

#### Specific Safety Rules

**a) The tools must be rated for at least the speed marked on the power tool.** Tools running over rated speed can fly apart and cause injury.

**b) Always use the guard.** The guard protects the operator from broken tool fragments and unintentional contact with the tool.

**c) Hold power tool by insulated gripping surfaces, because the cutter may contact its own cord.** Cutting a "live" wire may make exposed metal parts of the power tool "live" and could give the operator an electric shock.

**d) Keep hands away from the cutting area.** Never place your hand on the front face of the fence while the tool is running.

**e) Never operate the joiner without the fence attached.** When the fence is removed from the joiner, the spinning and oscillating cutter is exposed and can cause serious injury.

**f) Use only Festool authorized mortising bits.** Non-approved mortising bits can come loose during operation.

**g) Never use dull or damaged mortising bits.** Dull or damaged mortising bits can cause the tool to lurch sideways unexpectedly and lead to a loss of control of the power tool.

**h) Do not operate the tool if the spring-loaded fence does not return to its forward rest position.** The fence covers the mortising bit and prevents

accidental contact. If the slides of the fence do not move freely, have the tool serviced immediately.

**i) Wait for the cutter to stop before setting the tool down.** An exposed cutter may engage the surface leading to possible loss of control and serious injury.

## Health hazard by dust

**⚠ WARNING** Various dust created by power sanding, sawing, grinding, drilling and other construction activities contains chemicals known (to the State of California) to cause cancer, birth defects or other reproductive harm. Some examples of these chemicals are:

- lead from lead-based paints,
- crystalline silica from bricks and cement and other masonry products, and
- arsenic and chromium from chemically-treated lumber.

The risk from these exposures varies, depending on how often you do this type of work.



To reduce your exposure to these chemicals: work in a well ventilated area, and work with approved safety equipment, such as dust masks that are specially designed to filter out microscopic particles. Wash hands after handling.

**⚠ WARNING TO REDUCE THE RISK OF INJURY, USER MUST READ INSTRUCTION MANUAL.**

## Tool description

### Technical specification

Power	420 W
Speed (no load)	25,500 rpm
Mortising depth, max.	28 mm (1.1")
Mortising width, max.	23 mm (0.9") +bit diameter
Mortising bit range	4/5/6/8/10 mm
Connecting thread of drive shaft	M6 x 0.75
Weight (excluding cable)	3.2 kg (7 lbs)
Degree of protection	□ / II

All metric dimensions are binding. Mortising bit dimensions are critical for safe operation, and are presented in metric units only.

## Symbols

V	Volts
A	Amperes
Hz	Hertz
~	Alternating current
$n_0$	No load speed
□	Class II Construction
rpm	Revolutions or reciprocation per minute
∅	Diameter



Note, Danger!



Wear ear protection!



Manual, read the instructions!



Wear a face mask for work which produces dust!

## Intended use

The Domino tenon jointer is designed to produce mortises in soft and hard wood, chip board, plywood and fiber boards. All applications beyond this are regarded as improper use. The tool should not be altered or used for any other purpose other than as specified in these operating instructions. Using the tool in contravention to this manual will void your warranty and may lead to injury.

**⚠ WARNING** The user shall be responsible and liable for damages and accidents resulting from misuse or abuse of this tool.

## Functional description

The pictures for the functional description are on a fold-out page at the beginning of the instruction manual. When reading of the manual you can fold out this page for having always an overview of the machine.

- [1.1] Auxiliary handle
- [1.2] Mortise width dial
- [1.3] Fence high locking lever
- [1.4] Power switch
- [1.5] Main handle (barrel grip)
- [1.6] Plug it power inlet
- [1.7] Depth adjust lever
- [1.8] Depth adjust lock
- [1.9] Board thickness gauge



- [1.10] Fence angle locking lever
- [1.11] Fence angle gauge
- [2.1] Motor housing
- [2.2] Fence body
- [2.3] Spindle lock
- [2.4] Fence body release lever
- [2.5] Horizontal position gauge
- [2.6] Friction pads (qty. 2)
- [2.7] Mortising bit throat opening
- [2.8] Stop latch (qty. 2)
- [2.9] Outrigger mounting slot
- [2.10] Baseplate
- [2.11] Dust collection port

---

## Setup

---

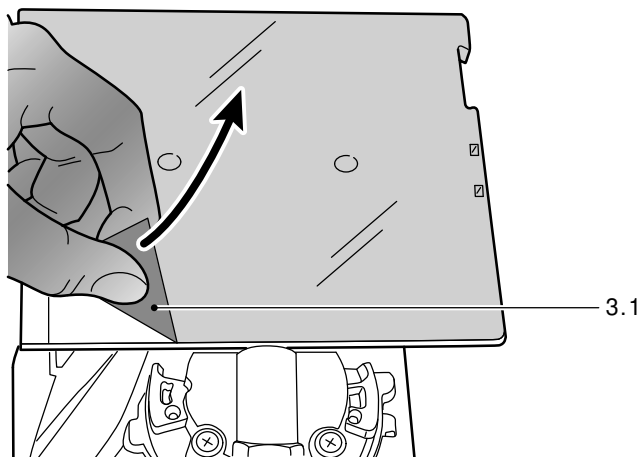
### Setting up a new Domino Joiner

**⚠ WARNING** Always disconnect the tool from the power supply before making any inspections or adjustments, or before installing or removing any accessory!

- With the joiner unplugged, inspect the mortising bit. Make sure it is not bent, chipped, or otherwise damaged, and make sure the bit is fully tightened on the spindle. (Refer to „Changing the Mortising Bit“).

**⚠ WARNING** Check regularly whether the mortising bit is in good condition. Mortising bits that are bent or damaged should no longer be used.

- Peel off the protective film [3.1] from the bottom of the joiner baseplate.

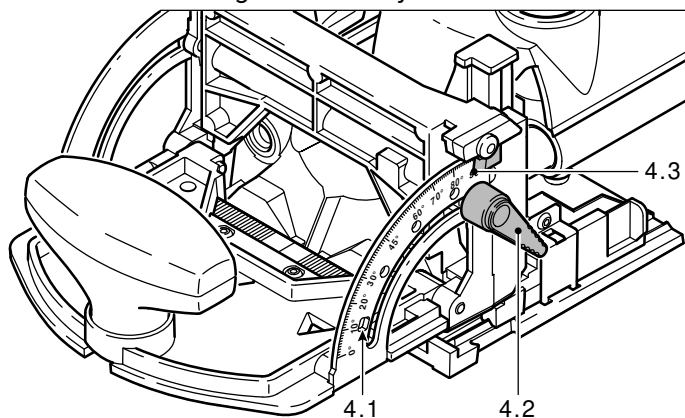


- Set up the joiner for the appropriate type of operation as described throughout the remainder of this section.
- Make sure that the fence height and angle locking levers are properly tightened.

- Install the power cord into the Plug-It receptacle on the joiner. (Refer to "Operation - Plug it power cord").

### Setting the Fence Angle

Some joints require the fence to be set to an angle from the mortising bit. The most common application is for making a mitered joint.



- Unplug the joiner for safety.
- Loosen the fence angle locking lever [4.2] by rotating it counterclockwise about 1/4-turn.
- Rotate the fence face to the desired angle, and tighten the locking lever [4.2].

#### **i** Notes:

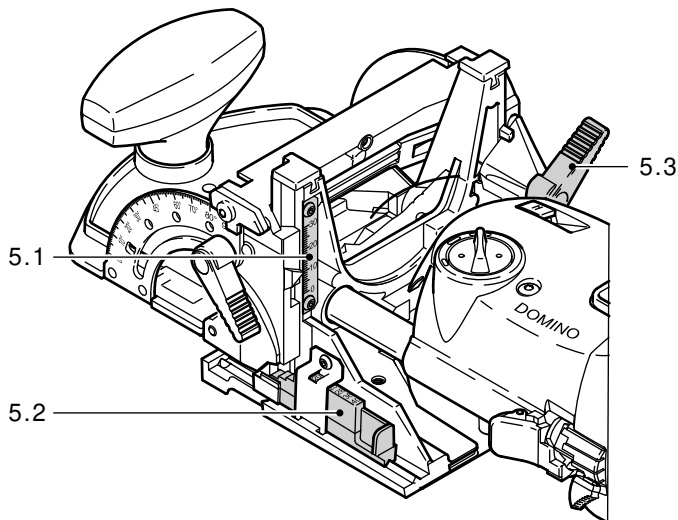
- ▶ The fence has detent stops [4.1] at 22½, 45, 67½, and 90 degrees.
- ▶ Use the gauge pointer [4.3] for setting the fence to angles other than the ones listed above.
- ▶ For greater stability, the locking lever clamps down on both right and left sides of the fence.

### Setting the Fence Height

The height of the fence needs to be adjusted depending on the type of joint being made and the thickness of the material being joined. Refer to the Applications section beginning on page 14 for more information about the optimal fence height for the specific application. There are two features available for setting the fence height; the height gauge and the board thickness gauge.

#### Height Gauge

The height gauge shows the distance between the bottom of the fence face and the centerline of the mortising bit. Use this gauge to set the mortise height relative to the surface of the workpiece.



- Loosen the fence height locking [5.3] lever by turning it ¼-turn counterclockwise.
- Make sure the board thickness gauge [5.2] is retracted out of the way (at its lowest setting).
- Raise or lower the fence until the pointer is pointing to the desired height on the gauge [5.1].
- Tighten the locking lever [5.3].

### Board Thickness Gauge

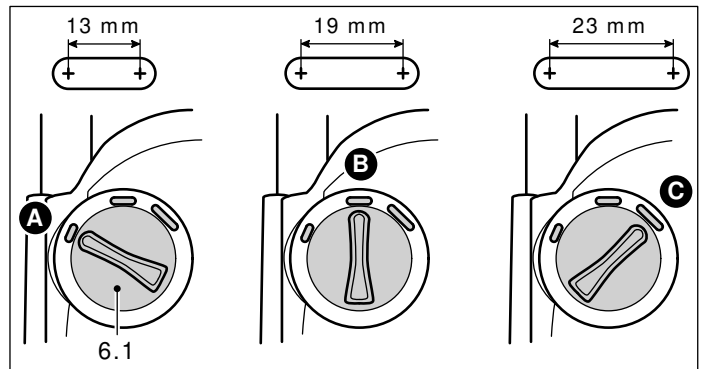
The numbers printed on the gauge [5.2] represent the thickness of the workpiece (in mm) and the mortise height will be centered in the workpiece. Use this gauge for setting the fence height based on the thickness of the workpiece without needing to calculate the center distance.

**CAUTION** Do not use the board thickness gauge for mitered joints, because this will place the mortise too close to the edge of the joint.

- Loosen the fence height locking lever [5.3] by turning it ¼-turn counterclockwise.
- Raise the fence above the board thickness gauge [5.3].
- Slide the gauge in or out until the thickness of the workpiece (in mm) is shown in the window.
- Lower the fence down until it touches the gauge.
- Tighten the locking lever [5.3].

### Setting the Mortise Width

The width of the mortise slot can be increased by the mortise width dial [6.1] to permit some side-to-side flexibility in the tenon position.



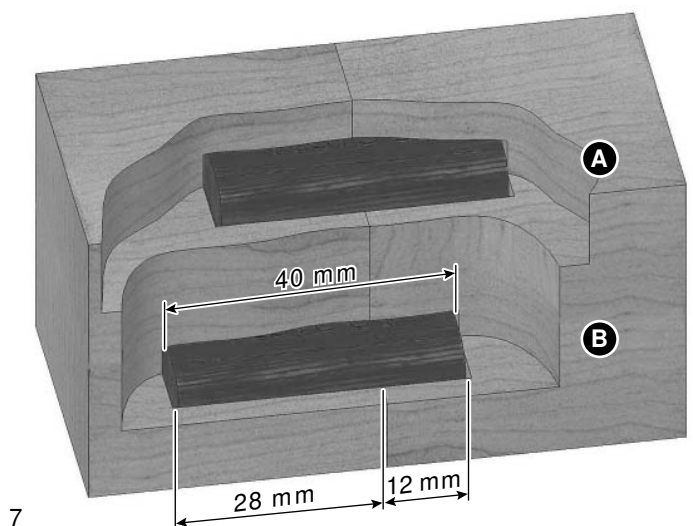
In the standard (smallest) position [A], the Domino tenon will fit snugly into the mortise slot. The width of the mortise slot is 13 mm + diameter of jouter bit. In the middle position [B], the mortise slot will be 6 mm wider than the Domino tenon. In the widest position [C] the mortise slot will be 10 mm wider than the Domino tenon.

**CAUTION** Failure to follow the notes below may result in damage to the tool.

- ▶ Never force the dial to turn.
- ▶ Rotate the adjustment dial only when the motor is running.
- ▶ Never rotate the dial during a plunging operation. This can bend or break the mortising bit, and can also damage the machine.

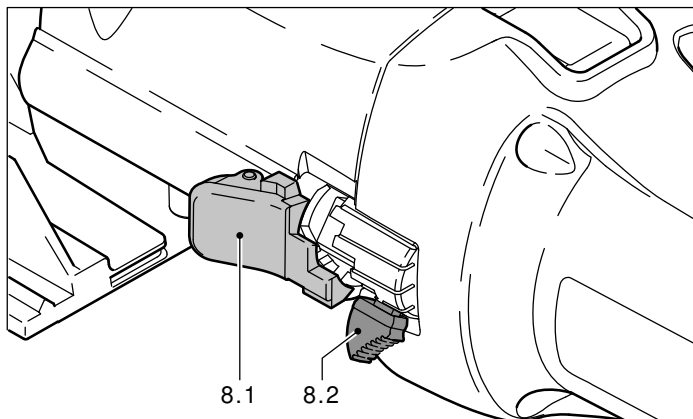
### Setting the Mortise Depth

The mortising depth determines how deep into the workpiece the mortising bit penetrates. This needs to be adjusted for different sized tenons.



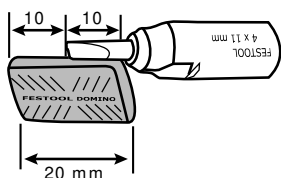
In most cases, the tenon should be centered across the joint, and the depth of the mortise should be ½ the length of the tenon. However, in some cases you may want to have more of the tenon in one piece than the other (lower Domino tenon pictured below). In this case, the sum of the two depths must equal the length of the tenon. (In the offset tenon example below, the Domino tenon is 40 mm long, the left

mortise is 28 mm deep, and the right mortise is 12 mm deep.)



- Press in on the depth adjust lock [8.1].
- Move the depth adjust lever [8.2] to the stepped position of the desired depth.
- Release the depth adjust lock [8.1].

For 4 x 20 mm DOMINO



A special cutter is available for the DOMINO dowel 4x20 mm (due to risk of breakage).

**Note** the following when using this cutter (D 4-NL 11 HW-DF 500): Set the routing

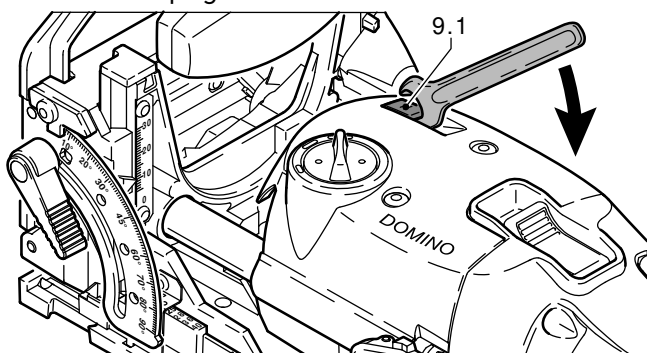
depth to 20 mm using the stop lever (1.7). The actual routing depth is 10 mm. The dowel can only be positioned centrally (see Fig. above).

## Changing the Mortising Bit

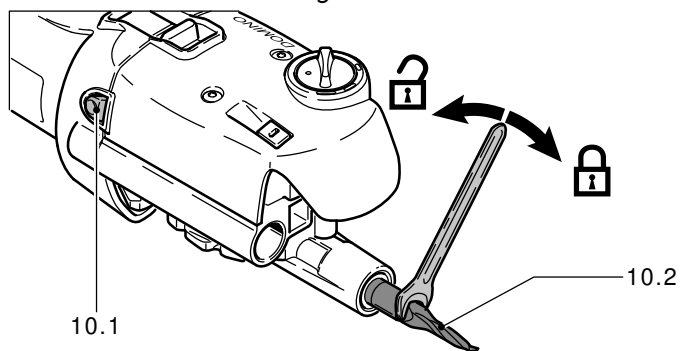
Different mortising bits are available for a variety of Domino tenon sizes. The DF500 comes equipped with a 5mm bit, and 6, 8, and 10 mm bits are available as an option.

**⚠ WARNING** Always unplug the tool before changing mortising bits, or removing the fence body from the motor housing.

- Using the provided 8 mm wrench, pry up on the fence body release lever [9.1], and slide the fence body off the motor housing (see fig. 2 on the fold-out page).



- Press and hold the spindle lock button [10.1]. This stops the spindle from turning while you loosen the mortising bit.



- Loosen the mortising bit [10.2] by turning it counterclockwise (standard right-hand thread).
- Insert a new mortising bit, and start the threads by hand to avoid cross-threading.
- Press in on the spindle lock [10.1] while tightening the bit. Do not over tighten the bit.
- Carefully reinstall the fence body onto the motor housing, and push the fence body in until the latch clicks.

## **i** Notes:

- ▶ Make sure there is no dust inside the guide tubes before inserting the fence body.
- ▶ Be careful not to damage the linear bearings (hollow tubes) when reinstalling the fence body. If it does not slide on easy, it means the fence is skewed with respect to the bearings.

## Operation

**⚠ WARNING** Please observe the following rules when working:

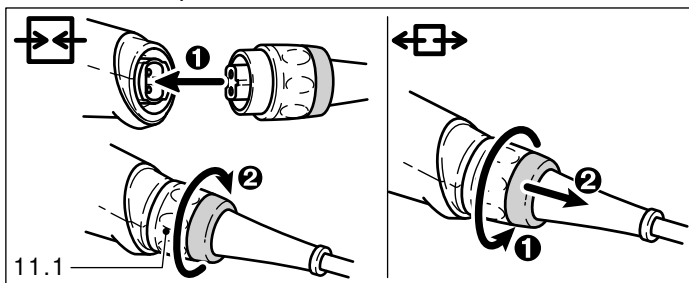
- ▶ The mains voltage must correspond to the specification on the rating plate.
- ▶ Always secure the workpiece in such a manner that it cannot move while being sawed.
- ▶ Always hold the Domino dowel jointer with both hands at the motor housing and at the additional handle. This reduces the risk of injury and is a prerequisite for precise work.
- ▶ Close the clamping lever for jointing height adjustment [2.3] and the clamping lever for the angle guide [1.5] so that accidental release during operation is impossible.
- ▶ Adapt the feed rate to the jointer bit diameter and material. Work with a constant feed rate.
- ▶ Only lay the Domino dowel jointer aside when the jointer bit has come to a complete standstill.

## Plug it Power Cord

The Domino joiner comes equipped with a removable plug it power cord.

To install the power cord, insert the cord into the inlet on the tool with the key and keyway aligned, and twist the locking ring [11.1].

Reverse the procedure to remove the cord.



### **i** Note:

- ▶ Turn the outer locking ring [11.1] ¼-turn to fully engage or disengage the cord.

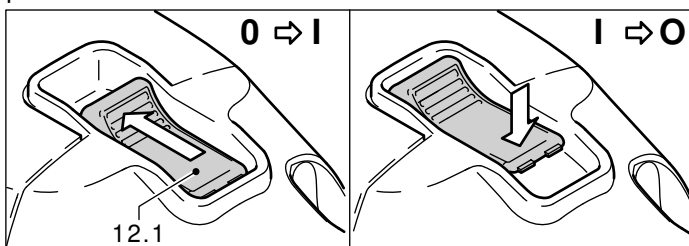
## Turning on the Joiner

**⚠ WARNING** Never turn the tool on when the Fence Body is removed, as this exposes the spinning cutter.

**⚠ WARNING** Before turning the tool on, make sure all adjustment handles are locked and the tool is safe to turn on.

To turn the joiner on, push forward and down on the power switch [12.1]. The power switch locks into the On position when activated.

To turn the joiner off, press down on the back of the power switch to release the latch.



## Extension Cable

If an extension cable is required, it must have a sufficient cross-section so as to prevent an excessive drop in voltage or overheating. An excessive drop in voltage reduces the output and can lead to failure of the motor. The table shows you the correct cable diameter as a function of the cable length for the DF 500 Q.

Total extension cord length (feed)	25	50	100	150
Cord size (AWG)	18	16	16	14

Use only U.L. and CSA listed extension cables. Never use two extension cables together. Instead, use one long one.

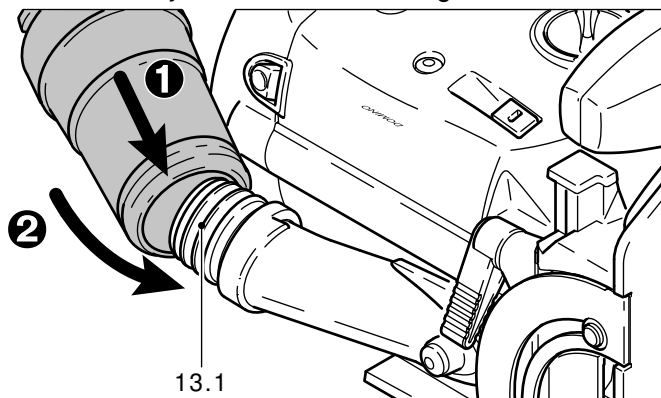
### **i** Note:

- ▶ The lower the AWG number, the stronger the cable.

## Dust Extraction

The Domino machine is intended to be used with a dust extraction system. Using the machine without dust extraction will cause it to clog with wood chips.

When installing a Festool dust extraction hose onto the dust port [13.1] of the machine, it is easiest to insert the hose at an angle and then push it on the rest of the way as shown to the right.



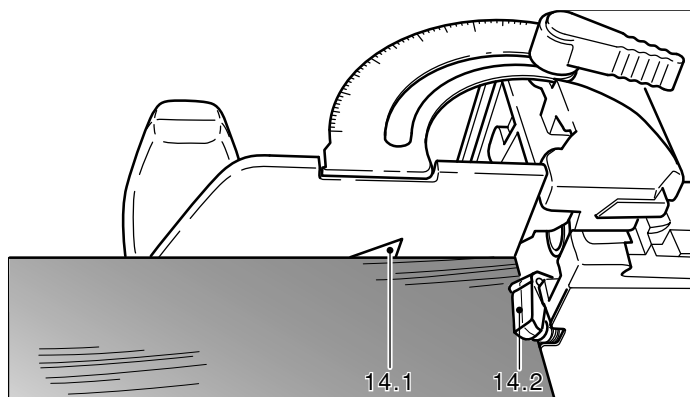
### **i** Note:

- ▶ If you have another vacuum system and the hose does not fit the dust extraction port, a Festool hose will fit many other brands of vacuums.

## Using the stop latches

The stop latches on the front of the fence are used to register the tool against the edge of the workpiece. This provides rapid and precise placement of the tool on the workpiece.

- When the stop latch [14.2] is against the edge of the workpiece, the edge will be visible in the point of the verification window [14.1] on the fence.
- The distance between the stop latch and the center of the mortise slot is 37mm (1-7/16 inch).

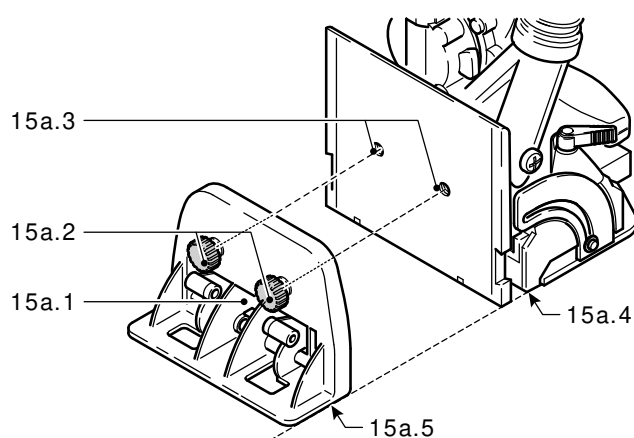


## Side stop with extension

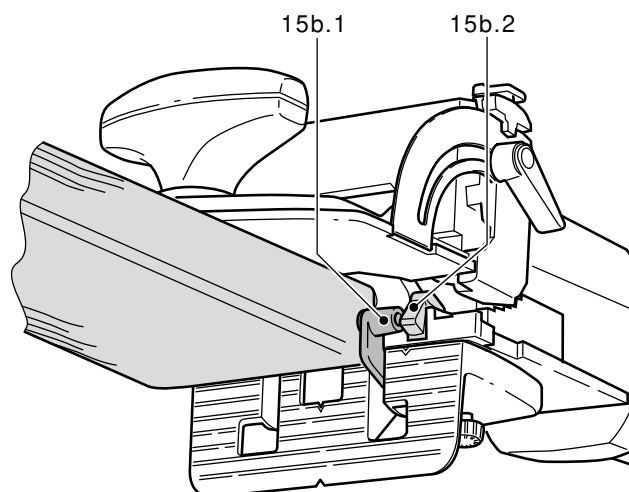
The side stop (15a.1) can be used to enlarge the contact surface when jointing on the workpiece edge, thus allowing safer guidance of the machine.

The distance to the centre of the routed hole can be reduced from 37 mm to 20 mm using the two integral stop spacers (15b.1), allowing you to position the dowel closer to the edge.

- Secure the side stop to the threaded bores (15a.3) on the guide frame using both screws (15a.2), whereby the contact areas of the support ring (15a.3) and the table (15a.4) must be level with one another.



- Swivel one of the distance spacers (15b.1) outwards to reduce the distance (see Fig. 15b). The spacer aligns automatically with the stop latch (15b.2).



## Working with the machine

### Overview, General Notes and Tips

Wood is a natural, non-homogenous material and because of this, its dimensions will most likely deviate slightly during processing, even if the machine is set accurately. Machine handling also influence the degree of working accuracy (e.g. fast-feed speed). Furthermore, the dimensions of wooden DOMINOs may vary (for example, due to humidity), regardless of how they are stored. All of these factors influence the dimensional accuracy of manufactured dowel holes and dowelling joints.

Numerous tests have been run to produce an average figure for these dimensional discrepancies. The dimensions of the machine and DOMINO dowels are based on these averages. If a lateral offset of approx. 0.03 mm - 0.04 mm occurs when two workpieces are joined together, you have the option of replacing the stop latches (2.8) fitted on delivery with correction stop latches. These latches are 0.15 mm narrower and reduce the lateral clearance of the dowel holes in relation the edge of the workpiece (see "Changing the Stop latches").

### Getting Started

Prior to processing the final workpiece, it is advisable to optimise the dowel-hole depth, width and diameter using a sample workpiece.

Because the Domino system is a form of the classic mortise and tenon joinery, it should follow much of the same guidelines of mortise and tenon joinery. Here are some guidelines to assist you in making your choices:

- When the strength of your workpieces is comparable to the strength of the Domino tenon (e.g. general hard woods) then the thickness of the

Domino tenon should be approximately  $\frac{1}{3}$  the thickness of the workpieces.

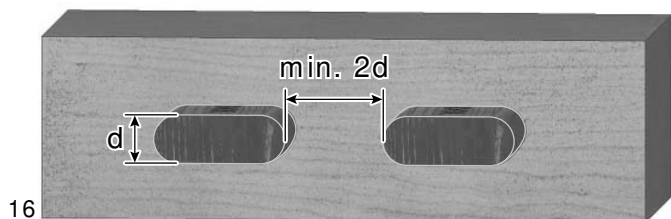
- It is acceptable to use a tenon that is slightly thicker than  $\frac{1}{3}$  when the width of the Domino tenon is relatively narrow compared to the width of the joint. This is why 8mm Domino tenons are the most common for joining  $\frac{3}{4}$ -inch lumber.
- For softer woods, such as pine, the joint will be stronger when the tenon is  $\frac{1}{3}$  or slightly less.
- For plywoods, especially low-grade construction plywoods, the Domino tenon is much stronger than the surrounding wood, so it is best to maximize the strength of the substrate by minimizing the thickness of the tenon.

### Domino Tenon Placement Guidelines

There are no steadfast rules on where tenons should be placed, especially when they are used for alignment purposes. For edge joining boards, a typical placement might be 6 to 8 inches apart.

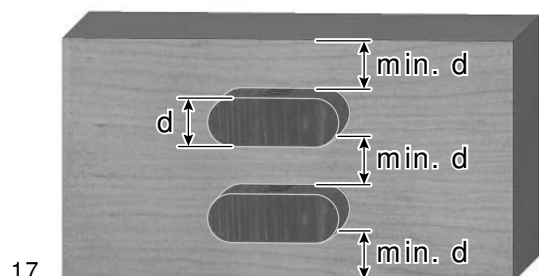
However, when tenons are used to strengthen a joint, you might be tempted to place the tenons too close together. This can actually weaken the joint by removing too much of the substrate material.

- A wide mortise weakens the substrate, so it is better to have several narrow mortises with uncut space in between, than it is to have a single wide mortise with several tenons side-by-side.
- When placing several tenons close together, leave at least twice the tenon thickness between mortise holes. As a general rule, this means the minimum tenon spacing should be about 10 mm to 20 mm, but they can be spaced much wider.



16

- When creating stacked mortises for extra thick lumber, an extension of the “ $\frac{1}{3}$  rule” mentioned above still applies. Specifically, the distance between mortises, and the distance between a mortise and the wood surface should all be equal to (or larger than) the thickness of the tenon.

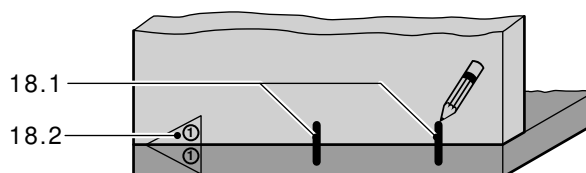


17

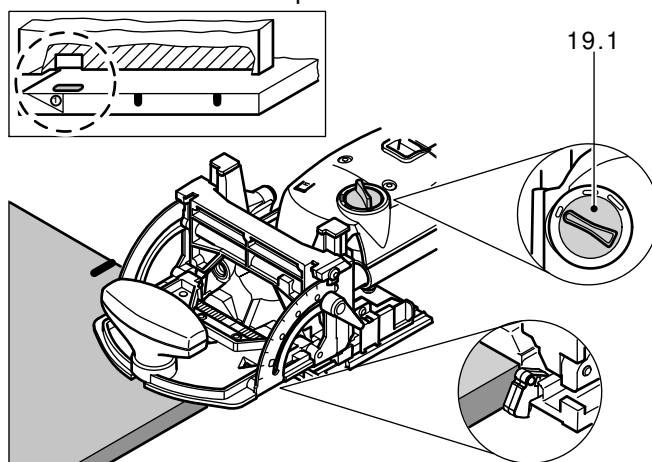
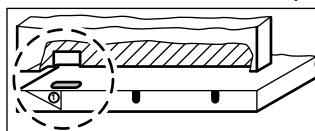
## Joining - Procedure

Proceed as follows to create a dowelled joint:

- Select a Domino dowel and insert a matching jointing bit in the Domino dowel jointer.
- Set the jointing depth. The jointing depth must be at least 3 mm smaller than the workpiece thickness so that the dowelled joint is supportable.
- Set the jointing height to correspond to the workpiece thickness.

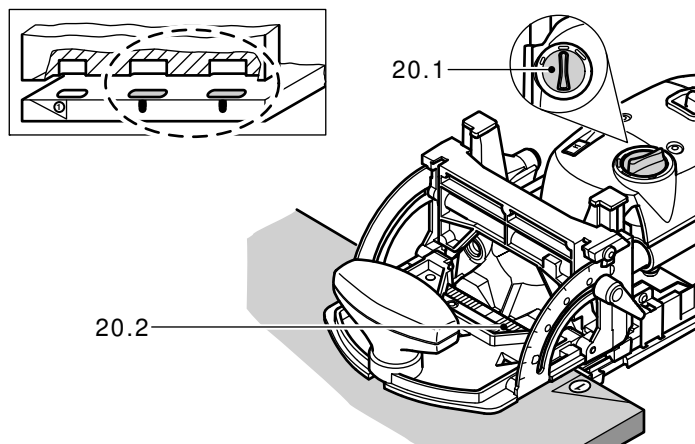


- Mark the areas on the workpiece that belong together [18.1] so that you will be able to join them correctly again once you have cut the dowel holes.
- Position the two workpieces to be joined against one another and mark the desired positions of the dowels with a pencil [18.2].



- Set the desired dowel-hole width [19.1].

Our recommendation: Cut the first hole without play (dowel-hole width = Domino dowel width), and the remaining dowel holes to the next largest dowel-hole width. The first dowel hole therefore serves as a reference dimension, whereas the remaining dowel holes have tolerance for manufacturing inaccuracies.



- Cut the first dowel hole by placing the stop pin at the side edge of the workpiece.
- Set the mortise width dial [20.1] to the next largest dowel-hole width.
- Cut the following dowel holes according to the pencil markings made beforehand and the scale of the viewing window [20.2].

## Maintenance

**⚠ WARNING** To prevent injury or electrocution, always unplug the tool from the power supply outlet before performing any maintenance or repair work on the tool!

**⚠ WARNING** Any maintenance or repair work that requires opening of the motor or gear housing should be carried out only by an authorized Customer Service Center (see your dealer for information on locating a service center). Maintenance or repair work carried out by an unauthorized person can lead to improper connection of electrical wires, misadjustment, or damage to components, which can result in injury.

**⚠ CAUTION** Do not use compressed air to clean the motor housing of the tool, as you could inject foreign objects into the motor through the ventilation openings. Low-pressure (30 psi) compressed air may be used on other components, but personal safety protection should be employed (hearing, vision, and respiratory).

**⚠ CAUTION** Certain cleaning agents and solvents are harmful to plastic parts. Some of these include, but are not limited to: Gasoline, Acetone, Methyl Ethyl Ketone (MEK), Carbonyl Chloride, cleaning solutions containing Chlorine, Ammonia, and household cleaners containing Ammonia.

The tool is fitted with special motor brushes with an automatic cut-out. When the brushes become worn the power supply is shut off automatically and the tool comes to a standstill.

## Routine Maintenance

The Domino tenon joiner does not require much routine maintenance except for cleaning. For best performance and long life of the Domino tenon joiner, keep the machine clean.

- To ensure proper cooling of the tool and motor, the cooling vents in the motor housing must always be kept clear and clean. Keep the motor cooling inlets at the back of the handle clean and free from sawdust.
- Keep the linear rails clean and free from sawdust.
- Always use the Domino joiner with a dust collection system.
- Periodically inspect the mortising bit(s) for damage, wear, or dullness. Re-sharpen or replace the bits as necessary.
- Never attempt to sharpen the mortising bits yourself. The mortising bits should be sharpened only by a qualified sharpening service.
- For best results, only the tip of the bit should be ground, not the sides.
- The maximum tip material removal from sharpening before the bit must be replaced is approximately 1mm. Any more than this and the bit will be too short for proper fit of the tenons.

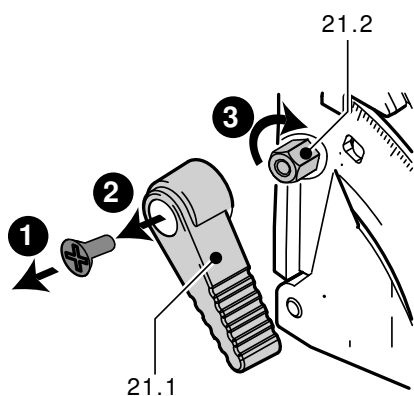
## Cleaning and Maintenance

- Blow off the exterior of the machine with low-pressure compressed air to remove sawdust, but do not blow air directly into the air cooling vents on the back of the motor as this can drive debris into the motor.
- Blow out impacted sawdust from the mortising bit area.
- Do not remove the fence body from the motor housing when the joiner is coated with sawdust.
- With the exterior of the joiner free from sawdust, remove the fence body from the motor housing and clean the linear slides:
  - With a soft cotton cloth, wipe down the linear rails.
  - With compressed air, blow out any dust from inside the linear bores.
  - With a soft cotton cloth, wipe down the interior of the bronze linear bearings.
- With a clean cotton cloth (not the same cloth used previously), apply a coating of light-weight machine oil to the linear rails.

- Use a lightweight machine oil such as “sewing machine” oil or pneumatic tool oil.
  - Do not use a penetrating oil as these may contain solvents and detergents that can remove the impregnated lubricant from the bronze bearings.
  - Do not use a rust inhibiting fluid/oil as these have limited lubrication properties, and can also remove the impregnated lubricant from the bronze bearings.
- With the plunge depth set to maximum, plunge the joiner in and out several times to spread the lubricant into the internal bronze bearings.
  - Remove the fence body from the motor housing and wipe off the excess oil from the linear rails.
  - Replace the fence body onto the motor housing.
  - Never store the joiner with the fence body separated from the motor housing, as this can permit dust and debris to enter the linear slide.

### Fixing the clamp lever

- Remove the clamp lever [21.1] as shown in [Fig. 21] step 1 and 2.
- Clamp the hexagon bolt [21.2] more firmly, as described in step 3.
- Place the clamp lever onto the hexagon bolt and secure with the cross head screw.

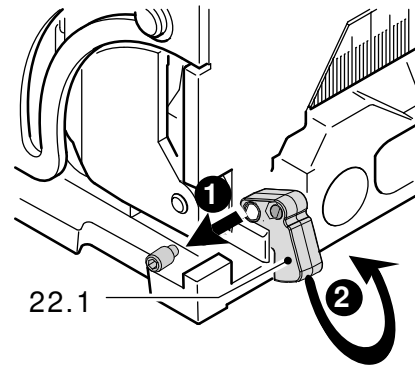


### Changing the stop latches

It is important that the two stop latches are perfectly spaced from the center of the mortise hole for properly aligned mortises.

If the position of the Domino tenons, which were created with the left and the right stop latch, does not exactly match (different distance to workpiece edge) a change of the stop latches is necessary:

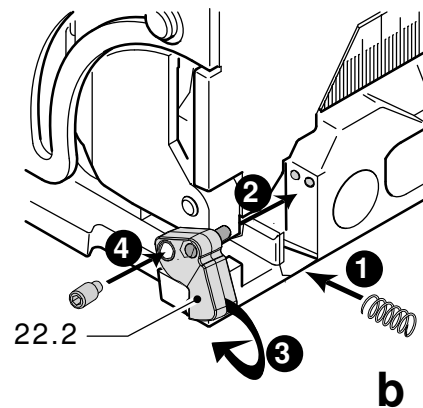
Special stop latches for making accurate adjustments are included in the scope of delivery.



**a**

**Remove one of the stop latches mounted on both sides of the dowel joint [Fig. 22a]:**

- Step 1: loosen the hexagon socket screw.
- Step 2: lift up the stop latch, pull to the side and remove.



**b**

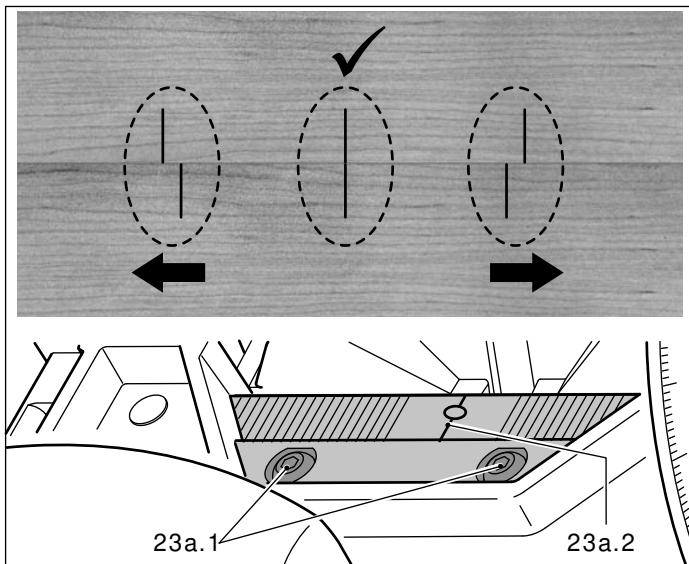
**Fit the stop latch on one sides of the dowel joint [Fig. 22b]:**

- Step 1: insert the spring.
- Step 2: position the stop latch on the dowel joint.
- Step 3: lower the stop latch until the small hemisphere engages in the spring.
- Step 4: insert the hexagon socket screw to secure the stop latch.

### Calibrating the Horizontal Position Gauge

The horizontal position gauge (also called the sight gauge) is used for aligning Domino tenons to a pencil mark on the workpiece. If the gauge is not perfectly centered over the mortising slot, the two workpieces will not be aligned when the joint is assembled.





- Take two pieces of scrap wood, and draw a thin line on each piece where a tenon is to be placed.
- Set the mortise slot width to the narrow setting (see "Setting the mortise width").
- With the middle line [23a.2] of the sight gauge lined up on the pencil line, plunge a mortise slot into each piece of wood.
- Join the two pieces of wood together without glue, and examine the alignment of the original pencil lines.
- If the pencil lines are not aligned, loosen the two screws [23a.1] on the sight gauge and slide the gauge sideways as noted in the upper image.



## Accessories, Tools

**⚠ WARNING** For your own safety, use only original Festool accessories and spare parts.



The accessory and tool order number can be found in the Festool catalogue or on the Internet under [www.festoolusa.com](http://www.festoolusa.com).

## Systainer

Many Festool products are shipped in a unique system container, called "Systainer". This provides protection and storage for the tool and accessories. The Systainers are stackable and can be interlocked together. They also can be interlocked atop Festool CT dust extractors.

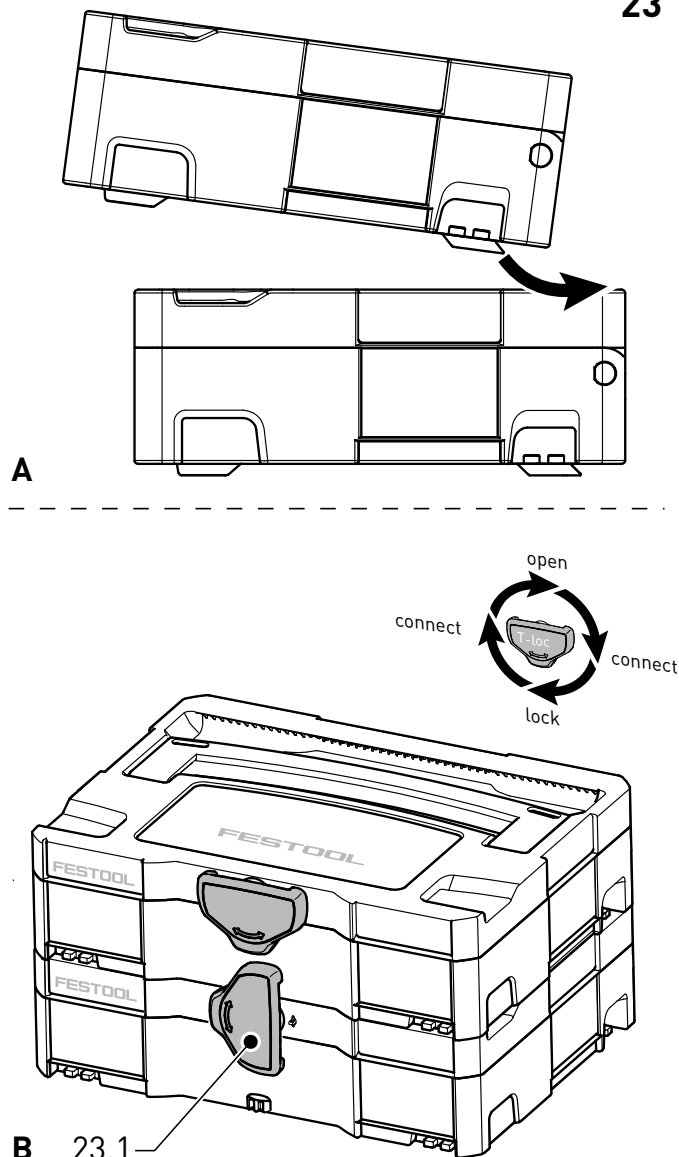
- To open the Systainer:
  - Turn the T-loc [23.1] to the position .
- To lock the Systainer:
  - Turn the T-loc [23.1] to the position .

To connect two Systainers:

- Place one Systainer on the top of the other (Fig. 23 A).
- Turn the T-loc [23.1] to the position  or  (Fig. 23 B).

The Systainers are connected and locked.

23

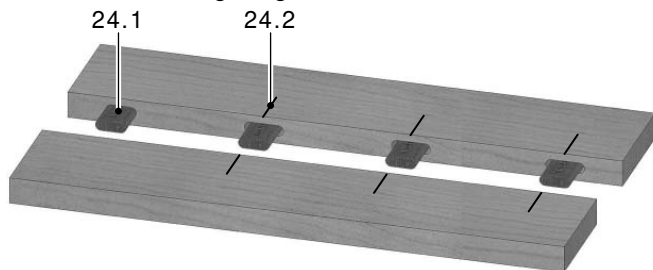


- ▶ A new generation Systainer is connectable on top of a previous generation Systainer by the four latches of the previous Systainer.

## Applications

### Edge Joining Boards

Edge joining boards is a common method for creating wide boards from a series of narrower boards. The Domino tenons add strength to the joint and also assist in aligning the boards to be flush.



For edge joining boards, a series of tenons are placed down the length of the joint. The first tenon [24.1] is used to register the two boards horizontally, so it is milled at standard width. The remaining tenons align the boards flush and may be milled with an oversize width.

#### **i** Tips for Successful Joining

- ▶ Use the locating pins [2.8] for the first mortise slot with the mortise width dial set to the narrow setting.
- ▶ For subsequent mortise slots you can keep the mortise width at the minimum setting, but you may find it easier to set the mortise width dial to the next widest setting.
- ▶ Place the mortise slots 6 to 12 inches apart for standard joints, but this spacing should be decreased for joining plywoods or when a stronger joint is needed.
- ▶ Instead of marking the mortise placements with pencil lines [24.2], you can use the optional outrigger guides to evenly space the mortises down the length of the boards. To do this, use the outrigger locating pin in the previous mortise slot.

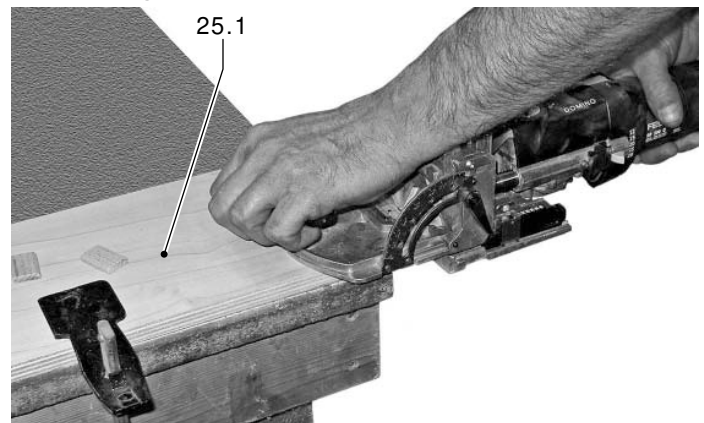
### Making Butt Box Joints

Butt box joints are typically used in general box construction or for drawer construction. The Domino tenons strengthen the joint without the need for additional fasteners. The example below highlights drawer construction, but the same techniques are used on other types of box construction.

#### **i** Construction Tips

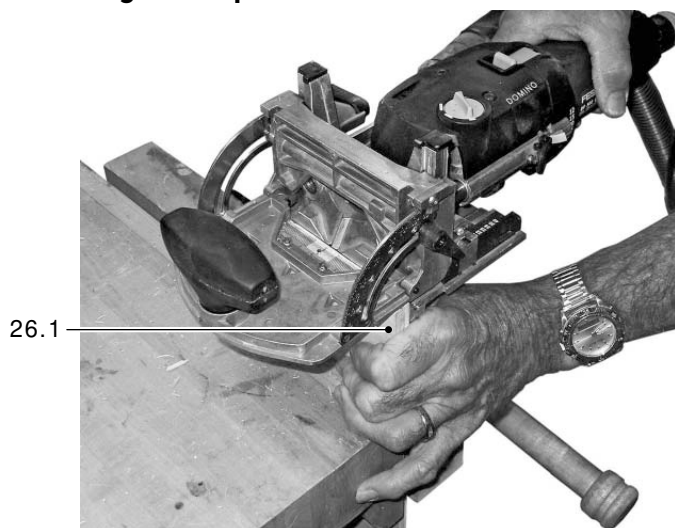
- ▶ For drawer construction with a separate drawer front, the front and rear of the box should be Captive, as shown below.
  - ▶ The drawer front is installed onto the drawer box after the box has been assembled.
  - ▶ This increases the strength of the drawer because the tenons are in shear (perpendicular) to the operation of opening and closing the drawer.
  - ▶ The ends of the side boards are concealed by the separate drawer front.
- ▶ For drawer construction without a separate drawer front, the Sides should be Captive and the Front/Rear should be the Caps (the reverse of the image below).
- ▶ For cabinet carcass construction, the Top/Bottom of the carcass should be Captive (also see "Making Carcass Butt Joints").

#### Machining the Captive-Side Tenons



- Choose a Domino tenon size to be less than or equal to 1/3 of the board's thickness.
- Set the height of the fence so the Domino tenons are in the center of the board's thickness.
- Set the mortise depth.
- ▶ Note that if your workpieces are thin, you may need to offset the tenon from center.
- Clamp the Captive boards [25.1] flat to your workbench.
- Align the tenon position using the locating pins [2.8].
- Grasp the Domino joiner by the auxiliary handle, hold it firmly down to the workpiece, and slowly plunge the cutter into the edge of the workpiece.

## Machining the Cap-Side Tenons



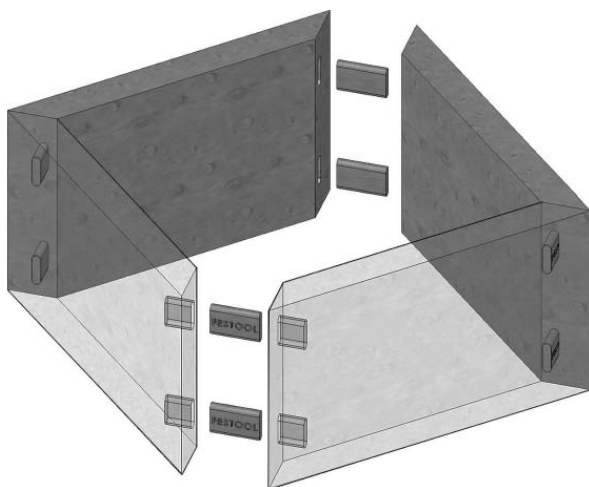
- Don't change the fence height from the previous operation. It is used to register the mortise placement from the edge of the board.
- Install the Base Support Bracket.
- If necessary, change the mortise depth setting.
- Clamp the workpiece [26.1] in a vertical position.
- Slowly plunge the cutter into the workpiece.

**⚠ WARNING** Keep hands clear of the cutter.

## Making Miter Box Joints

Generally miter box joints are fairly weak because the joint is predominately endgrain to endgrain. Tenons significantly increase the strength of the joint and make it easier to assemble and clamp the pieces.

### **i** Construction Tips



27

- ▶ For thinner materials, keep the mortise close to the inside corner. This minimizes the chances for boring all the way through the workpiece.
- ▶ For thicker materials, stacked mortises can be used as shown in the picture 28.

## Setup and Machining



28

- Tilt the fence to the appropriate angle.
- Lower the fence to the desired height. Note that the mortise should be close to the inside corner to avoid penetrating through the workpiece.

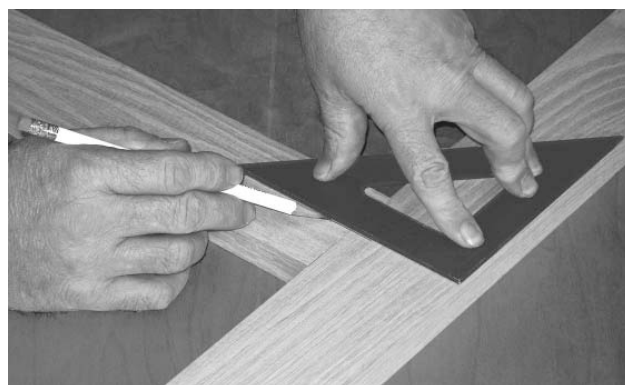
### **i** Tip:

- ▶ Before milling the mortise, double check your depth settings to ensure you don't cut all the way through.
- Grasp the joiner by the auxiliary handle for best control. Plunge the joiner.

## Making Frame Joints

Domino tenons can be used to quickly fabricate reinforced frames of all types.

### Butt Joint Frames

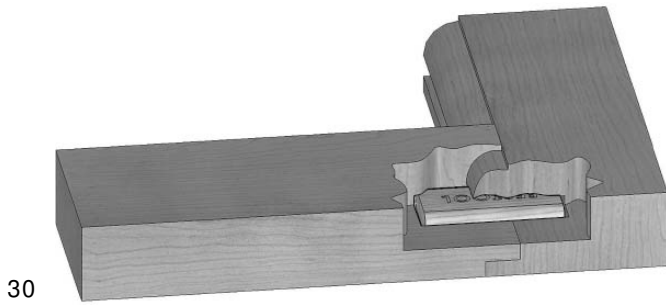


29

When making butt joint frames, such as cabinet faceframes, use pencil lines to lay out the position of the tenons. Use the sight glass on the joiner's fence [2.5] to position the joiner over the pencil line.

For narrow frame stock, an optional narrow frame fence is as accessory available.

## Cope and Stick (Stile and Rail) Frames



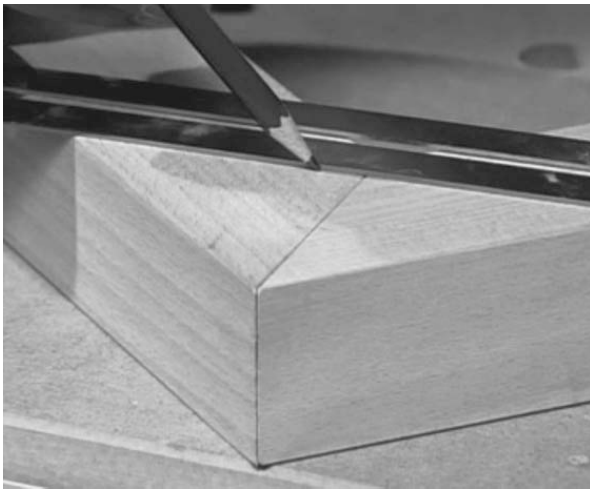
30

Domino tenons can also be used to strengthen cope and stick frame construction too. This is typically found in raised panel door frames.

It is important to note that the two frame pieces overlap, so the depth of the mortise needs to be extended. The amount that each mortise needs to be extended is one-half the amount of overlap.

Example: A typical stile and rail router bit set has a profile width (overlap) of 3/8-inch (about 10mm). For a 40mm long tenon, instead of plunging 20mm deep, you should increase this to 25mm for both workpieces.

## Mitered Frames



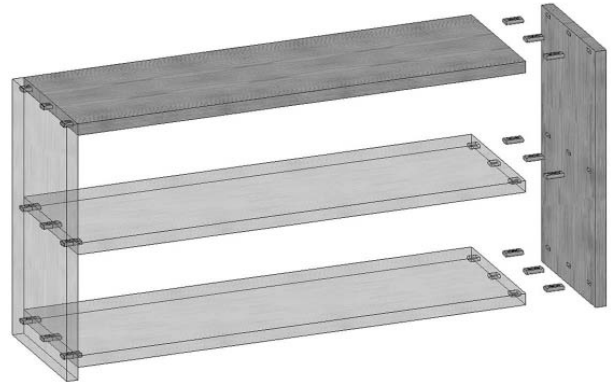
31

When making mitered frames, position the tenon closer to the inside corner. This reduces the likelihood of cutting the mortise all the way through the workpiece.

Make sure to securely clamp the workpiece to the bench when mortising a mitered joint.

## Making Carcase Butt Joints

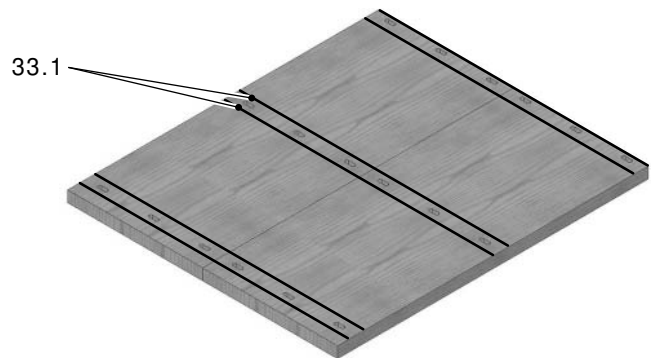
Using tenoned butt joints is an effective method for constructing a cabinet carcase. The tenons provide a strong support for each of the horizontal partitions of the cabinet.



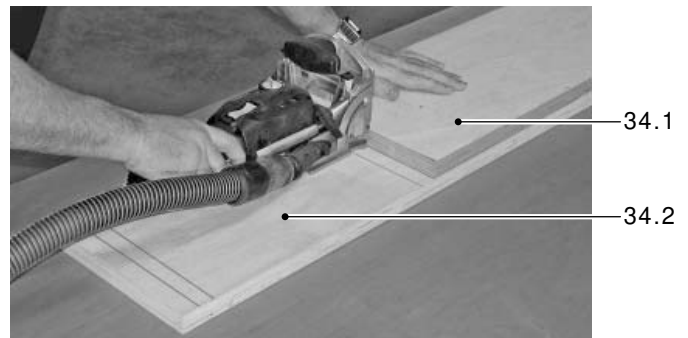
32

The simplicity of this method is that you use the carcase components for aligning the joiner.

## Setup and Machining



- Lay the vertical wall pieces on your workbench, and draw lines [33.1] across both pieces to indicate where the shelves will be located. Note that it is easier to avoid mistakes later on by drawing double lines, with one line above the shelf and one line below the shelf.
- For reference, label the top and bottom face of each shelf. This is so your left- and right-hand mortises are referenced from the same face of each shelf.



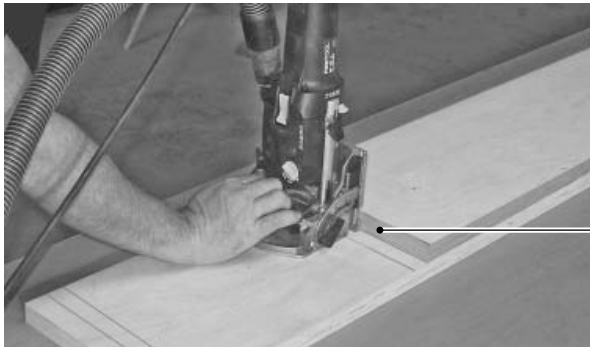
- Working with one shelf at a time, lay the horizontal shelf [34.1] on top of the vertical wall [34.2] so its edge lines up with the outside pencil line for that shelf location.

### **i** Tip:

Stand the shelf vertical on the side wall piece and in the position it will eventually be secured (between the double pencil lines), and carefully tip the shelf flat, into the position shown in the picture 34. For

greater shelf-strength, keep the tenons closer to the bottom-side of the shelf:

- ▶ If the shelf is thick (greater than 20mm), tip it down with the top-side facing up.
- ▶ If the shelf is thin (less than 20mm), tip it down with the bottom-side facing up.
- Clamp the two pieces together to prevent them from moving.
- With the Domino baseplate resting on the face of the wall-piece, plunge the joiner into the edge of the shelf. Do not use the fence for height positioning.



35.1

- With the joiner standing upright and its baseplate against the edge of the shelf [35.1], plunge downward into the side wall of the cabinet.
- Repeat these steps for each of the shelves.
- When you repeat this process for the other side wall, make sure you keep the same side of the shelf facing up.

## Tips for Applying Glue

There are many different ways to apply glue to joints, however, how you apply glue can have an impact on the quality of the joint or the ease of assembly.

- ▶ For a longer glue open-time on complex assemblies, apply the glue generously to the workpieces. The thicker the glue, the longer time it will take to skin over. Excess glue can be cleaned off after completion.
- ▶ Apply glue to the workpiece face and the mortise slots before inserting the tenons into the slots.
- ▶ When applying glue for the tenons, you can either apply glue into the mortise slots, or spread a thin layer across the Domino tenons. For applications where the tenon is the primary structure holding the joint together, you should apply the glue to the tenon. The Domino tenons have small glue pockets [36.1] and ridges [36.2] that will hold glue as the tenon slides into the mortise slot.



36.1

36.2

## Troubleshooting

Symptom	Possible causes and corrections
Motor does not start	<ul style="list-style-type: none"> <li>▶ Check that the cord is properly plugged into an outlet.</li> <li>▶ Make sure the Plug-it connector is properly inserted and fully tightened.</li> <li>▶ Make sure the outlet has power. Check the circuit breaker or try another outlet.</li> <li>▶ If used with a Festool dust extractor, make sure the selector switch is pointing to „Auto“. The auxiliary outlet on the dust extractor has power only when the selector is at Auto.</li> <li>▶ Inspect the power cord (including extension cords) for damage or missing prongs.</li> <li>▶ The motor brushes may have worn and need replacement.</li> </ul>
Plunging action is not smooth	<ul style="list-style-type: none"> <li>▶ Clean the linear rails and bronze bearings of the plunge slide, and make sure they are properly lubricated.</li> <li>▶ Inspect the bronze linear bearings for damage. Improper insertion of the fence body onto the motor housing can damage the linear bearings.</li> </ul>

<b>Symptom</b>	<b>Possible causes and corrections</b>
Domino tenons are too loose	<ul style="list-style-type: none"> <li>▶ Make sure you hold the Domino joiner firmly in position while plunging the mortise slot.</li> <li>▶ Make sure the mortise width setting is correct.</li> <li>▶ Make sure you are using the correct mortising bit for the size of the Domino tenon.</li> <li>▶ The Domino tenons may have shrunk in an overly dry or warm environment. This is normal wood movement.</li> <li>▶ Check the mortising bit to ensure it is not bent. A bent bit will make a thicker and wider mortise slot than desired.</li> </ul>
Domino tenons are too tight	<ul style="list-style-type: none"> <li>▶ The most common cause for this is that the tenons are stored in a humid environment, and they have swelled from moisture absorption. Store the tenons in a cool dry environment.</li> <li>▶ The mortising bit may have been improperly sharpened or sharpened too many times. Replace the bit.</li> </ul>
Workpiece joints are misaligned horizontally	<ul style="list-style-type: none"> <li>▶ Make sure the workpiece is securely clamped before plunging.</li> <li>▶ Check the Stop latches.</li> <li>▶ Check the calibration of the Horizontal Position Gauge (sight gauge).</li> <li>▶ Don't plunge the mortising bit into the work too fast. This may cause the joiner to move during the plunge.</li> <li>▶ Make sure the friction pads on the front of the joiner are not worn, damaged, or missing.</li> </ul>
Workpiece joints are misaligned vertically	<ul style="list-style-type: none"> <li>▶ Take care not to tilt the joiner while plunging.</li> <li>▶ If the mortise slots were registered from the bottom of the baseplate, make sure there is no dust or debris under the joiner.</li> <li>▶ Make sure the fence is properly locked at the desired height setting.</li> <li>▶ Inspect the height adjustment lock to ensure it is not broken (slipping).</li> </ul>
Tilted or misaligned mortise slots	<ul style="list-style-type: none"> <li>▶ Make sure the fence is set to the correct angle (e.g. 90 degrees).</li> <li>▶ Make sure to hold the Domino joiner firmly to the work surface.</li> </ul>
Workpiece joint won't close (gaps between pieces)	<ul style="list-style-type: none"> <li>▶ Make sure the proper plunge depth is set.</li> <li>▶ Make sure the joiner is tight to the face of the workpiece.</li> <li>▶ The mortising bit may have been sharpened too many times and is too short.</li> <li>▶ Excessive dust may be present inside the linear slide.</li> <li>▶ Excessive glue may be present at the bottom of the mortise.</li> </ul>
Tearout or rough mortise slots	<ul style="list-style-type: none"> <li>▶ Plunging speed too fast. Slow down the rate of your plunge.</li> <li>▶ Low-grade materials and plywoods will tear out more than solid woods. Decreasing your plunging speed will improve the results but may not eliminate the problem completely.</li> <li>▶ Dull mortising bit.</li> </ul>
Tapered mortise slot. The Domino tenon fits only part way into the slot	<ul style="list-style-type: none"> <li>▶ The plunge speed is too fast and the bit is not cutting the sides properly. Slow down the plunge speed.</li> </ul>

## Table des matières

<b>Consignes de sécurité</b> .....	<b>23</b>
<b>Description de l'outil</b> .....	<b>25</b>
Caractéristiques techniques .....	25
Symboles .....	26
Utilisation conforme .....	26
Composants de l'outil .....	26
<b>Mise en service</b> .....	<b>26</b>
Mise en service d'une nouvelle fraiseuse Domino .....	26
Réglage de la butée angulaire .....	27
Réglage de la hauteur de fraisage .....	27
Réglage de la largeur de la mortaise .....	28
Réglage de la profondeur de la mortaise .....	28
Changement de la fraise .....	29
<b>Fonctionnement</b> .....	<b>29</b>
Cordon d'alimentation plug-it.....	29
Mise en marche de la fraiseuse .....	30
Rallonge électrique .....	30
Aspiration des poussières .....	30
Utilisation des cliquets de butée .....	30
Butée latérale avec rallonge de surface de dépose .....	31
<b>Travail avec la machine</b> .....	<b>31</b>
Aperçu, remarques générales et conseils ...	31
Procédure de fraisage .....	32
<b>Maintenance</b> .....	<b>33</b>
Fixation du levier de blocage .....	34
Remplacements des cliquets de butée .....	34
Etalonnage du niveau .....	35
<b>Accessoires, outils</b> .....	<b>35</b>
<b>Applications</b> .....	<b>36</b>
<b>Dépannage</b> .....	<b>40</b>

## Consignes de sécurité

### Consignes de sécurité générales

**⚠ AVERTISSEMENT** Lisez attentivement l'ensemble des consignes de sécurité. Le non-respect des consignes de sécurité énumérées ci-après peut entraîner un choc électrique, un incendie et/ou des blessures graves.

### CONSERVER TOUS LES AVERTISSEMENTS ET TOUTES LES INSTRUCTIONS POUR POUVOIR S'Y REPORTER ULTÉRIEUREMENT.

Le terme « outil » dans les avertissements fait référence à votre outil électrique alimenté par le secteur (avec cordon d'alimentation) ou votre outil fonctionnant sur batterie (sans cordon d'alimentation).

#### 1) Sécurité de la zone de travail

**a) Maintenez la zone de travail propre et bien éclairée.** Les établis sombres et encombrés sont propices aux accidents.

**b) N'utilisez pas l'outil électroportatif dans un milieu présentant des risques d'explosion et où se trouvent des liquides, gaz ou poussières inflammables.** Les outils électroportatifs génèrent des étincelles risquant d'enflammer les poussières ou les émanations combustibles.

**c) Tenez les enfants et autres personnes éloignées lorsque vous utilisez un outil électroportatif.** La moindre distraction peut vous faire perdre le contrôle de l'outil.

#### 2) Sécurité relative au système électrique

**a) La fiche de secteur de l'outil électroportatif doit être appropriée à la prise de courant. Ne tentez jamais de modifier la fiche de quelque façon que ce soit. N'utilisez pas une fiche d'adaptateur avec un outil doté d'une mise à la terre.** Les fiches non modifiées et les prises de courant appropriées réduisent le risque de choc électrique.

**b) Evitez le contact physique avec des surfaces mises à la terre (tuyaux, radiateurs, cuisinières, réfrigérateurs).** Le risque de choc électrique est plus élevé si votre corps est relié à la terre.

**c) N'exposez pas l'outil électroportatif à la pluie ou à l'humidité.** La pénétration d'eau dans un outil électroportatif augmente le risque d'un choc électrique.

**d) N'utilisez pas le cordon d'alimentation à d'autres fins que celles prévues. N'utilisez pas le cordon d'alimentation pour porter l'outil ou pour l'accrocher ou encore pour le débrancher de la prise de courant. Maintenez le cordon d'alimentation éloigné des sources de chaleur, des parties grasses, des bords tranchants ou des parties de l'outil en mouvement.** Un cordon d'alimentation endommagé ou enchevêtré augmente le risque d'un choc électrique.

**e) Au cas où vous utiliseriez l'outil électroportatif à l'extérieur, utilisez une rallonge autorisée**

### **homologuée pour les applications extérieures.**

L'utilisation d'une rallonge électrique homologuée pour les applications extérieures réduit le risque d'un choc électrique.

**f) Si l'usage d'un outil dans un emplacement humide est inévitable, utiliser une alimentation protégée par un dispositif à courant différentiel résiduel (RCD).** L'usage d'un RCD réduit le risque de choc électrique.

### **3) Sécurité personnelle**

**a) Restez vigilant et concentré sur ce que vous faites ; faites preuve de discernement lorsque vous utilisez un outil électroportatif. N'utilisez pas cet outil lorsque vous êtes fatigué ou après avoir consommé de l'alcool, des drogues ou pris des médicaments.** Un moment d'inattention lors de l'utilisation de l'appareil peut entraîner de graves blessures corporelles.

**b) Portez des équipements de protection. Portez toujours des lunettes de protection.** Le fait de porter des équipements de protection personnels tels que masque anti-poussières, chaussures de sécurité antidérapantes, casque de protection ou protection acoustique suivant le travail à effectuer, réduit le risque de blessures.

**c) Evitez une mise en service par mégarde. Assurez-vous que l'interrupteur est effectivement en position d'arrêt avant de brancher l'outil.** Le risque d'accident est élevé si vous portez l'appareil avec le doigt sur l'interrupteur ou si vous le branchez alors que l'interrupteur se trouve en position de marche.

**d) Enlevez tout outil de réglage ou toute clé avant de mettre l'outil en fonctionnement.** Une clé ou un outil resté sur une partie en mouvement peut causer des blessures.

**e) Ne surestimez pas vos capacités. Veillez à toujours garder une position stable et équilibrée.** Vous aurez ainsi une meilleure maîtrise de l'outil en cas de situation inattendue.

**f) Portez des vêtements appropriés. Ne portez pas de vêtements amples ni de bijoux. Maintenez cheveux, vêtements et gants à bonne distance des pièces de l'outil en mouvement.** Des vêtements amples, des bijoux ou des cheveux longs peuvent être happés par des pièces en mouvement.

**g) Si des dispositifs servant à aspirer ou à recueillir les poussières doivent être utilisés, vérifiez que ceux-ci sont correctement raccordés et qu'ils sont utilisés de manière adéquate.** L'utilisation de tels

dispositifs permet de réduire les risques liés à la présence de poussières.

### **4) Utilisation et entretien de l'outil**

**a) Ne surchargez pas l'outil électroportatif. Utilisez l'outil qui convient au type de travail à effectuer.** Si vous utilisez l'outil électrique adéquat et respectez le régime pour lequel il a été conçu, il effectuera un travail de meilleure qualité et en toute sécurité.

**b) N'utilisez pas un outil électroportatif dont l'interrupteur est défectueux.** Un outil électroportatif qui ne peut plus être mis en ou hors fonctionnement est dangereux et doit être réparé.

**c) Débranchez la fiche de la prise de courant avant d'effectuer des réglages sur l'outil, de changer les accessoires ou de ranger l'outil.** Ces mesures préventives permettent de réduire le risque d'une mise en marche accidentelle de l'outil électroportatif.

**d) Rangez l'outil électroportatif non utilisé hors de la portée des enfants. Ne laissez aucune personne l'utiliser si elle n'est pas familiarisée avec cet outil ou avec la présente notice d'utilisation.** Les outils électroportatifs sont dangereux lorsqu'ils sont utilisés par des personnes non initiées.

**e) Ne négligez pas l'entretien des outils électroportatifs. Assurez-vous que les pièces mobiles ne sont ni désalignées ni grippées, qu'aucune pièce n'est cassée et que l'outil électroportatif n'a subi aucun dommage pouvant affecter son fonctionnement. Si l'outil électroportatif est endommagé, faites-le réparer avant de vous en servir à nouveau.** De nombreux accidents sont dus à des outils électroportatifs mal entretenus.

**f) Maintenez les outils de coupe aiguisés et propres.** Des outils bien entretenus, avec des bords tranchants bien aiguisés, sont moins susceptibles de se gripper et plus faciles à guider.

**g) Utilisez l'outil électroportatif, ses accessoires, ses embouts, etc., en vous conformant aux présentes instructions et aux prescriptions en vigueur pour ce type d'appareil. Tenez également compte des conditions de travail et du type de travail à effectuer.** L'utilisation d'un outil électroportatif à des fins autres que celles prévues peut entraîner des situations dangereuses.

**h) Gardez les poignées dans un état sec, propre et exempt d'huile et de graisse.** Des poignées glissantes ne permettent pas une prise en main sûre et le contrôle de l'outil électrique dans des situations inattendues.



## 5) Service après-vente

**a) Faites réparer votre outil électroportatif uniquement par un réparateur qualifié qui utilise des pièces de rechange identiques à celles d'origine.** Le maintien de la sûreté de l'outil électroportatif sera ainsi assuré.

## Consignes de sécurité particulières

**a) Les auxiliaires de montage doivent supporter au moins les régimes indiqués sur l'outil électrique.** Des auxiliaires de montage tournant à un régime trop élevé peuvent se détacher et causer des blessures.

**b) Utilisez l'outil uniquement avec le bloc à colonnes monté.** Le bloc à colonnes protège l'utilisateur contre les projections de pièces cassées de la fraise et évite qu'il ne touche la fraise par inadvertance.

**c) Ne tenez l'outil électrique que par les surfaces de préhension isolées, étant donné que la fraise risque de toucher le propre câble d'alimentation de l'outil.** Le contact avec un câble sous tension peut également mettre des pièces métalliques de l'appareil sous tension et pourrait provoquer un choc électrique.

**d) Gardez vos mains à distance de la zone de coupe.** Ne placez jamais vos mains sur l'avant de la plaque d'appui lorsque l'outil est en marche.

**e) Ne faites jamais fonctionner la fraiseuse tant que la plaque d'appui n'est pas fixée.** Lorsque la plaque d'appui est désolidarisée du bloc moteur, la fraise en mouvement est exposée et peut être à l'origine de blessures graves.

**f) Utilisez uniquement les fraises homologuées Festool.** Les fraises non homologuées risquent de se desserrer pendant le fonctionnement.

**g) N'utilisez jamais de fraises émoussées ou endommagées.** Si la fraise est émoussée ou endommagée, l'outil risque de faire des embardées de manière inattendue et vous risquez alors de perdre le contrôle de l'outil électroportatif.

**h) Ne faites pas fonctionner l'outil si la plaque d'appui à ressort ne retourne pas en position de repos avant.** La plaque d'appui couvre la fraise et empêche tout contact accidentel. Si les coulisses de la plaque d'appui ne se déplacent pas librement, faites immédiatement réparer l'outil.

**i) Attendez l'immobilisation totale de la fraise avant de poser l'outil.** Une fraise exposée risque d'endommager la surface sur laquelle est posée

et d'entraîner une perte du contrôle de l'outil ainsi que de graves blessures.

**j) Utilisez des serre-joints ou d'autres dispositifs pour bloquer et soutenir la pièce sur une plateforme stable.** Maintenir la pièce à la main ou contre votre corps n'est pas une solution stable, vous risquez de perdre le contrôle de l'outil.

## La poussière, un risque pour la santé

**⚠ AVERTISSEMENT** La poussière résultant des opérations de ponçage, sciage, meulage, perçage et autres travaux du bâtiment contient des produits chimiques qui sont des causes reconnues (dans l'Etat de Californie) de cancer, de malformation congénitale ou d'autres problèmes reproductifs. Ces produits chimiques sont par exemple :

- le plomb provenant des peintures à base de plomb,
- les cristaux de silice provenant des briques et du ciment ainsi que d'autres produits de maçonnerie, et
- l'arsenic et le chrome provenant des bois traités chimiquement.

Le niveau de risque dû à cette exposition dépend de la fréquence de ces types de travaux.



Pour réduire l'exposition à ces produits chimiques, il faut travailler dans un lieu bien ventilé et porter un équipement de sécurité approprié tel que certains masques à poussière conçus spécialement pour filtrer les particules microscopiques. Lavez-vous les mains une fois le travail terminé.

**⚠ AVERTISSEMENT** L'UTILISATEUR DOIT LIRE ATTENTIVEMENT LA PRÉSENTE NOTICE D'UTILISATION AFIN DE RÉDUIRE LES RISQUES D'ACCIDENT.

## Description de l'outil


### Caractéristiques techniques

Puissance absorbée	420 W
Régime (à vide)	25 500 tr/min
Profondeur de fraisage, max.	28 mm (1,1")
Largeur de fraisage, max.	23 mm (0,9")+ diamètre de la fraise
Fraises	4/5/6/8/10 mm
Filetage de l'arbre de transmission	M6 x 0,75
Poids (sans le cordon d'alimentation)	3,2 kg (7 lbs)

**Classe de protection**  / II

Tous les mesures métriques sont contractuelles. Les dimensions des fraises sont essentielles pour garantir des travaux en toute sécurité ; elles sont indiquées en mesures métriques uniquement.

**Symboles**

V	volts
A	ampères
Hz	hertz
~	courant alternatif
$n_0$	régime à vide
	construction de classe II
tr/min	nombre de tours par minute
$\emptyset$	diamètre



Attention, danger !



Munissez-vous de casques anti-bruit!



Lire les instructions, les consignes!



Utilisez aussi un masque si le travail exécuté produit de la poussière.

**Utilisation conforme**

La fraiseuse Domino est destinée à créer des mortaises dans les bois durs et tendres, les panneaux de particules, le contre-plaqué et les panneaux en fibres. Toute application autre que celles citées ci-dessus est considérée comme non conforme à l'usage prévu. L'outil ne doit pas être modifié ou utilisé à d'autres fins que celles indiquées dans la présente notice d'utilisation. Toute utilisation de l'outil non conforme aux indications de cette notice rendra la garantie nulle et non avenue et risque d'entraîner des blessures.

**⚠ AVERTISSEMENT** L'utilisateur est le seul responsable des dommages et accidents provoqués par une utilisation non conforme de l'outil.

**Composants de l'outil**

Des schémas de l'outil sont disponibles sur le volet qui se trouve au début de cette notice d'utilisation. Vous pouvez ainsi déplier cette page et visualiser en permanence les différentes parties de l'outil lorsque vous lisez la notice.

- [1.1] Poignée auxiliaire
- [1.2] Molette de réglage de la largeur de la mortaise
- [1.3] Levier de blocage de la hauteur de fraisage
- [1.4] Interrupteur
- [1.5] Poignée principale (prise sur le corps de l'outil)
- [1.6] Fiche d'alimentation plug-it
- [1.7] Levier de réglage de la profondeur
- [1.8] Verrouillage du réglage de la profondeur
- [1.9] Butée à paliers pour régler l'épaisseur de la pièce à travailler
- [1.10] Levier de blocage de la butée angulaire
- [1.11] Graduation indiquant la butée angulaire
- [2.1] Bloc moteur
- [2.2] Plaque d'appui
- [2.3] Dispositif de verrouillage de l'arbre
- [2.4] Levier de déverrouillage de la plaque d'appui
- [2.5] Niveau
- [2.6] Patins de frottement (2)
- [2.7] Ouverture pour le passage de la fraise
- [2.8] Cliquets de butée (2)
- [2.9] Créneau pour la butée transversale
- [2.10] Semelle
- [2.11] Manchon d'aspiration des poussières

**Mise en service****Mise en service d'une nouvelle fraiseuse Domino**

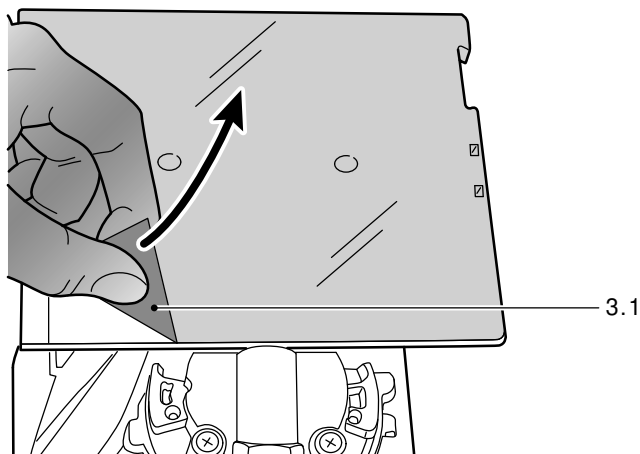
**⚠ AVERTISSEMENT** Débranchez toujours l'outil de la source d'alimentation avant d'effectuer des contrôles ou des réglages, ou encore avant d'installer ou d'enlever un accessoire.

- Une fois la fraiseuse débranchée, contrôlez la fraise. Assurez-vous qu'elle n'est pas tordue, abîmée ou autrement endommagée et vérifiez que la fraise est bien fixée sur l'arbre. (cf "Changement de la fraise").

**⚠ AVERTISSEMENT** Contrôlez régulièrement l'état de la fraise. Les fraises tordues ou endommagées ne doivent plus être utilisées.

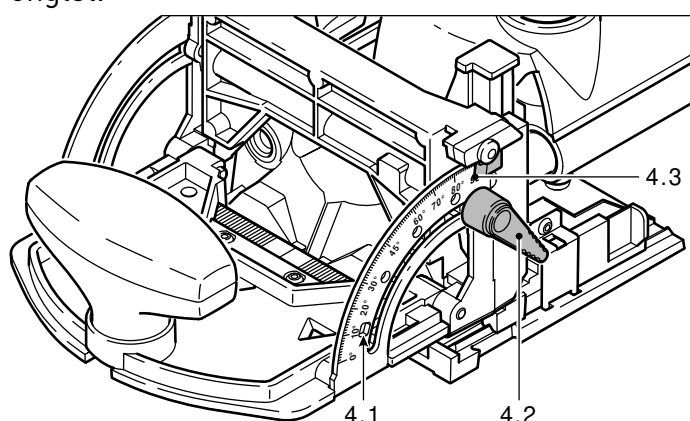
- Enlevez le film protecteur [3.1] qui se trouve sous la semelle de la fraiseuse.
- Préparez la fraiseuse, en fonction du travail que vous allez effectuer, comme décrit dans la suite de cette section.
- Vérifiez que le levier de blocage destiné au réglage de la hauteur de fraisage et le levier de blocage de la butée angulaire sont bien serrés.

- Raccordez le cordon d'alimentation plug-it à l'orifice prévu à cet effet sur la fraiseuse. (Cf. "Fonctionnement - Cordon d'alimentation plug-it").



## Réglage de la butée angulaire

Certains fraisages nécessitent que la plaque d'appui soit ajustée à un certain angle par rapport à la fraise. C'est le cas par exemple du fraisage en onglet.



- Débranchez la fraiseuse par sécurité.
- Desserrez le levier de blocage de butée angulaire [4.2] en le tournant d'un quart de tour dans le sens contraire des aiguilles d'une montre.
- Réglez l'angle souhaité et verrouillez à nouveau le levier de blocage [4.2].

### **i** Remarques

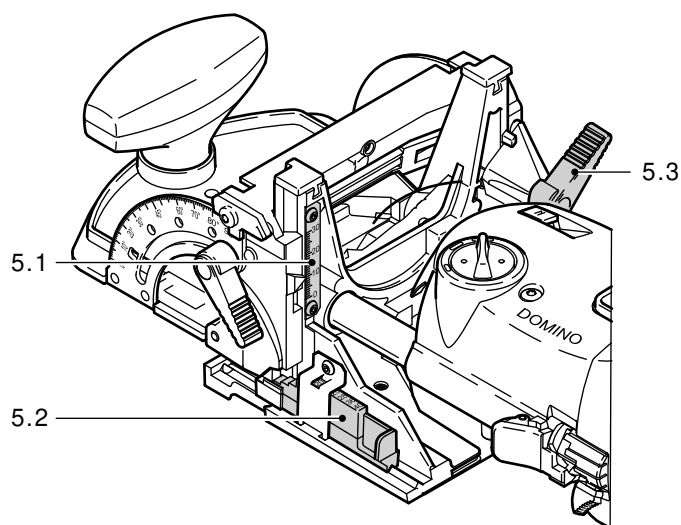
- ▶ La plaque d'appui comporte des paliers [4.1] à 22,5, 45, 67,5 et 90 degrés.
- ▶ Pointez l'aiguille [4.3] pour régler la butée angulaire sur d'autres angles de la graduation.
- ▶ Pour plus de stabilité, le levier de blocage se bloque à chaque extrémité de la plaque d'appui.

## Réglage de la hauteur de fraisage

La hauteur de fraisage doit être ajustée en fonction du type d'assemblage en cours et de l'épaisseur du matériau fraisé. Consultez la section consacrée aux diverses applications (page 14) pour connaître la hauteur de fraisage optimale pour chaque type d'application. La hauteur de fraisage peut se régler en indiquant soit la hauteur de fraisage souhaitée, soit l'épaisseur de la pièce à travailler.

### Hauteur de fraisage

La graduation indique la distance entre le bas de la plaque d'appui et le centre de la fraise. Utilisez ce moyen pour régler la hauteur de la mortaise par rapport à la surface de la pièce à travailler.



- Desserrez le levier de blocage destiné au réglage de la hauteur du fraisage [5.3] en le tournant d'un quart de tour dans le sens contraire des aiguilles d'une montre.
- Vérifiez que la butée à paliers [5.2] ne gêne pas (elle doit être à son réglage le plus bas).
- Montez ou descendez la plaque d'appui jusqu'à ce que la pointe de la flèche indique la hauteur souhaitée sur la graduation [5.1].
- Serrez le levier de blocage [5.3].

### Épaisseur de la pièce à travailler

Les nombres indiqués sur la butée à paliers [5.2] correspondent à l'épaisseur de la pièce (en mm) et la mortaise est alors fraisée en son centre. Cette butée à paliers permet de régler la hauteur de fraisage en fonction de l'épaisseur de la pièce, sans avoir à calculer la distance au centre.

**⚠ MISE EN GARDE** N'utilisez pas cette butée pour les fraisages en onglet, la mortaise risquerait d'être placée trop près du bord du joint.

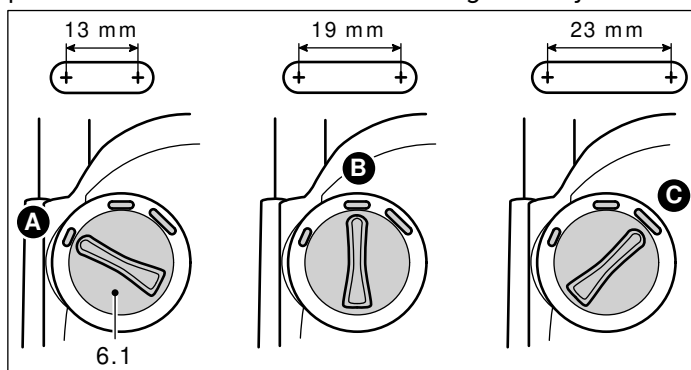
- Desserrez le levier de blocage destiné au réglage de la hauteur du fraisage [5.3] en le tournant d'un

quart de tour dans le sens contraire des aiguilles d'une montre.

- Soulevez la plaque d'appui au-dessus de la butée [5.3].
- Réglez l'épaisseur à l'aide de la butée à paliers, l'épaisseur souhaitée de la pièce (en mm) doit apparaître dans la fenêtre.
- Abaissez la plaque d'appui jusqu'à ce qu'il soit en contact avec la butée.
- Serrez le levier de blocage [5.3].

## Réglage de la largeur de la mortaise

La largeur de la mortaise peut être augmentée à l'aide de la molette prévue à cet effet [6.1] pour pouvoir effectuer des trous oblongs avec jeu.



En position standard (trait court) [A], la largeur de la mortaise correspond exactement à celle du tenon Domino. La largeur de la mortaise mesure alors 13 mm + le diamètre de la fraise. En position "trait moyen" [B], la largeur de la mortaise est plus grande de 6 mm par rapport à celle du tenon Domino. En position "trait long" [C], la largeur de la mortaise est plus grande de 10 mm par rapport à celle du tenon Domino.

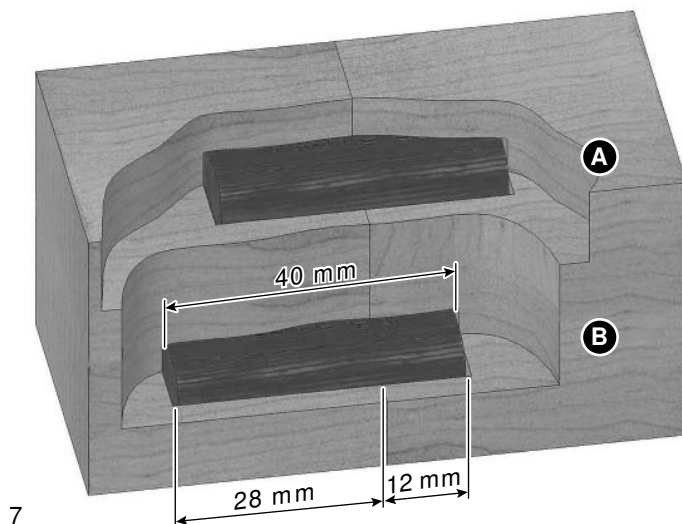
**⚠ MISE EN GARDE** Si vous ne respectez les indications ci-dessous, vous risquez d'endommager l'outil électroportatif.

- ▶ Ne forcez jamais sur la molette.
- ▶ Tournez la molette uniquement lorsque le moteur est en marche.
- ▶ Ne tournez jamais la molette pendant une plongée. Vous risqueriez de tordre ou de casser la fraise ainsi que d'endommager l'outil.

## Réglage de la profondeur de la mortaise

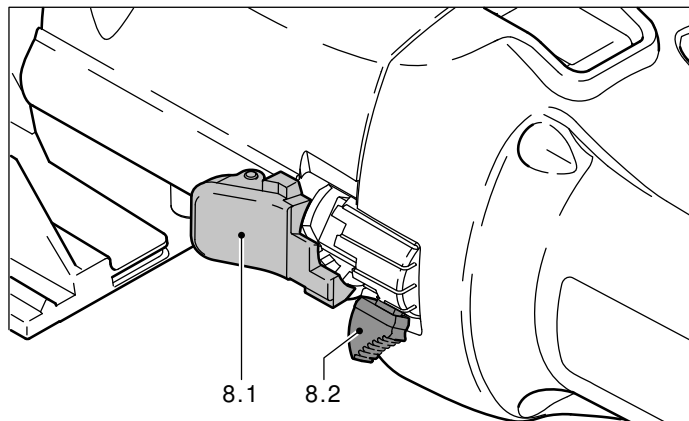
La profondeur de la mortaise correspond à la profondeur à laquelle la fraise pénètre dans la pièce.

Elle doit être réglée en fonction de la taille des tenons.



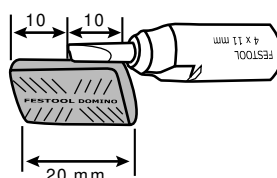
7

En règle générale, le tenon doit être centré à travers l'assemblage et la profondeur de la mortaise doit correspondre à la moitié de la longueur du tenon. Mais dans certains cas, vous voulez que le tenon pénètre davantage dans une pièce par rapport à une autre (tenon Domino représenté en B sur la figure précédente). Dans ce cas, la somme des deux profondeurs de mortaise doit être égale à la longueur du tenon. (Dans l'exemple B précédemment cité, le tenon Domino mesure 40 mm de long, la mortaise de gauche mesure alors 28 mm de profondeur et celle de droite 12 mm.)



- Déverrouillez le dispositif de blocage en exerçant une pression puis maintenez-le en position [8.1].
- Actionnez le levier de réglage [8.2] pour régler la profondeur souhaitée.
- Relâchez le dispositif de blocage [8.1].

Pour 4 x 20 mm DOMINO



Il existe une fraise spéciale pour les tourillons DOMINO 4x20 mm (risque de casse). Lorsque vous utilisez cette fraise, il vous faut **prendre cer-**

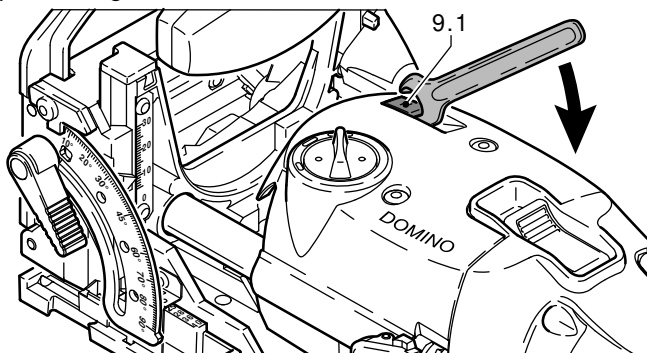
**taignes précautions** (D 4-NL 11 HW-DF 500) : Réglez la profondeur de fraisage sur 20 mm à l'aide du levier enclenchable (1.7). La profondeur de fraisage effective est de 10 mm. Le tourillon doit obligatoirement être centré (voir la figure).

## Changement de la fraise

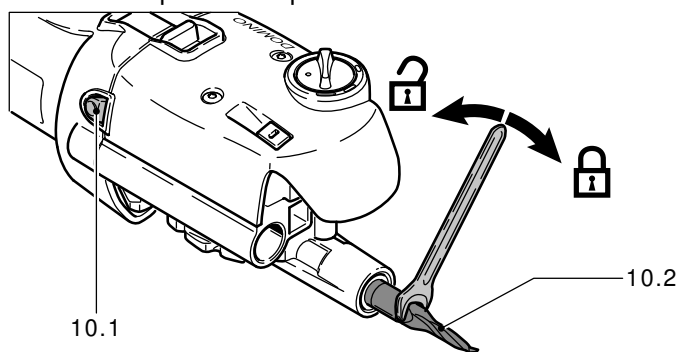
Différentes fraises sont disponibles pour toutes les tailles de tenon Domino. La fraiseuse DF500 est équipée d'une fraise de 5 mm ; des fraises de 6, 8, et 10 mm sont disponibles en option.

**⚠ AVERTISSEMENT** Débranchez toujours l'outil avant de changer la fraise ou de désolidariser la plaque d'appui du bloc moteur.

- A l'aide de la clé fournie de 8 mm, actionnez le levier de déverrouillage de la plaque d'appui [9.1] et désolidarisez le bloc moteur de la plaque d'appui (cf fig. 2 sur le volet au début de la notice).



- Maintenez enfoncé le bouton du dispositif de blocage de l'arbre [10.1]. Cela empêche l'arbre de tourner pendant que vous desserrez la fraise.



- Desserrez la fraise [10.2] en la tournant dans le sens contraire des aiguilles d'une montre (pas de vis droit standard).
- Introduisez une nouvelle fraise et vissez-la à la main au début pour éviter de fausser le filetage.
- Maintenez enfoncé le bouton du dispositif de blocage de l'arbre [10.1] tout en serrant la fraise. Ne serrez pas trop la fraise.
- Remettez soigneusement en place la plaque d'appui sur le bloc moteur et poussez la plaque d'appui jusqu'à ce qu'elle s'enclenche.

## **i** Remarques

- ▶ Assurez-vous qu'il n'y a pas de poussière à l'intérieur des tubes avant de remettre la plaque d'appui en place.
- ▶ Attention à ne pas abîmer les guides (tubes creux) lorsque vous remettez la plaque d'appui en place. Si cela ne coulisse pas facilement, cela signifie que la plaque est sortie de l'axe des guides.

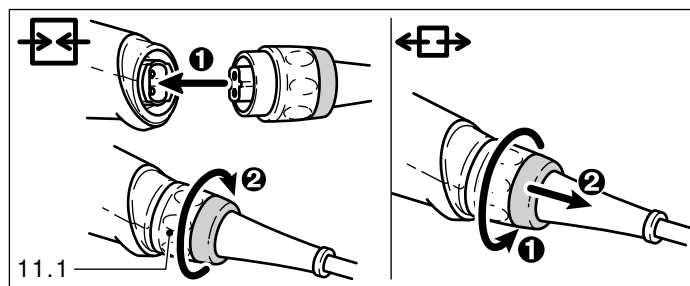
## Fonctionnement

**⚠ AVERTISSEMENT** Lorsque vous travaillez, respectez les règles suivantes :

- ▶ La tension secteur doit correspondre aux indications de la plaque signalétique.
- ▶ Fixez la pièce à usiner de manière à ce qu'elle ne puisse pas bouger pendant le travail.
- ▶ Tenez toujours la fraiseuse Domino à deux mains, au niveau du bloc moteur et de la poignée auxiliaire. Cela diminue les risques de blessure et permet de travailler avec précision.
- ▶ Serrez le levier de blocage destiné au réglage de la hauteur de fraisage [2.3] et le levier de blocage de la butée angulaire [1.5] de sorte qu'ils ne puissent pas se défaire inopinément pendant que l'outil est en marche.
- ▶ Adaptez la vitesse de progression au diamètre de la fraise et au matériau. Travaillez à une vitesse de progression constante.
- ▶ Mettez de côté la fraiseuse Domino uniquement lorsque la fraise est complètement immobile.

## Cordon d'alimentation plug-it

La fraiseuse Domino est équipée d'un cordon d'alimentation amovible.



Pour installer le cordon d'alimentation, raccordez-le à l'orifice prévu à cet effet sur l'outil en veillant à ce que la clavette et la rainure de clavette soient alignées, puis tournez le joint de serrage [11.1]. Répétez cette démarche en sens inverse pour enlever le cordon d'alimentation.

## **i** Remarque

- Tournez le joint de serrage [11.1] d'un quart de tour pour bloquer ou libérer complètement le cordon d'alimentation.

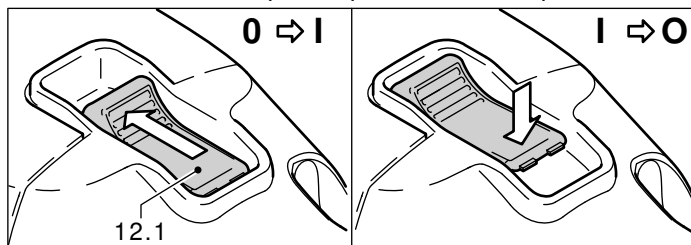
## Mise en marche de la fraiseuse

**⚠ AVERTISSEMENT** Ne mettez jamais en marche l'outil lorsque la plaque d'appui est détachée, cela exposerait la fraise en train de tourner.

**⚠ AVERTISSEMENT** Avant de mettre en marche l'outil, vérifiez que tous les leviers de réglage sont bloqués et que l'outil est prêt à fonctionner.

Pour mettre en marche la fraiseuse, poussez l'interrupteur [12.1] vers l'avant et le bas. L'interrupteur se bloque alors en position de marche.

Pour arrêter la fraiseuse, appuyez sur la partie arrière de l'interrupteur pour le débloquer.



## Rallonge électrique

Si une rallonge électrique est nécessaire, elle doit présenter une section suffisante afin d'éviter une chute de tension excessive ou une surchauffe. Une chute de tension excessive réduit la puissance et peut entraîner la destruction du moteur. Le tableau ci-après vous présente la section correcte de la rallonge en fonction de sa longueur pour la fraiseuse DF 500 Q.

Longueur totale de la rallonge (pieds)	25	50	100	150
Section de la rallonge (AWG)	18	16	16	14

Utilisez exclusivement des rallonges recommandées par U.L. et CSA. N'utilisez jamais deux rallonges raccordées l'une à l'autre, mais remplacez-les par une rallonge plus longue.

## **i** Remarque

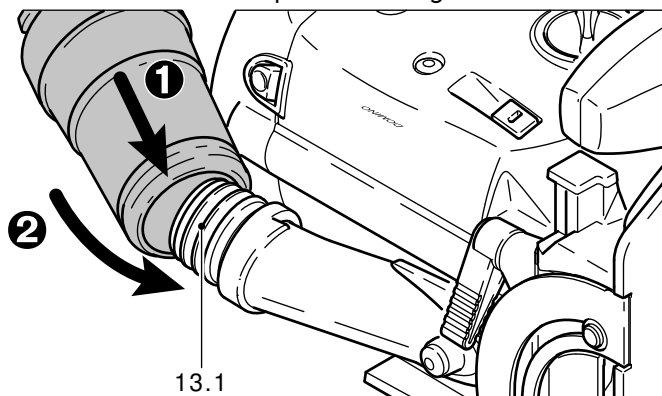
- Plus le numéro AWG est petit, plus la section de la rallonge est grande.

## Aspiration des poussières

La fraiseuse Domino est destinée à être utilisée conjointement avec un système d'aspiration des

poussières. Si vous l'utilisez sans ce système, des copeaux de bois risquent d'obstruer l'outil.

Lors du raccordement du tuyau d'aspiration Festool au manchon prévu à cet effet [13.1], il est plus facile d'insérer le tuyau à un angle puis de le pousser sur la droite comme indiqué sur la figure.



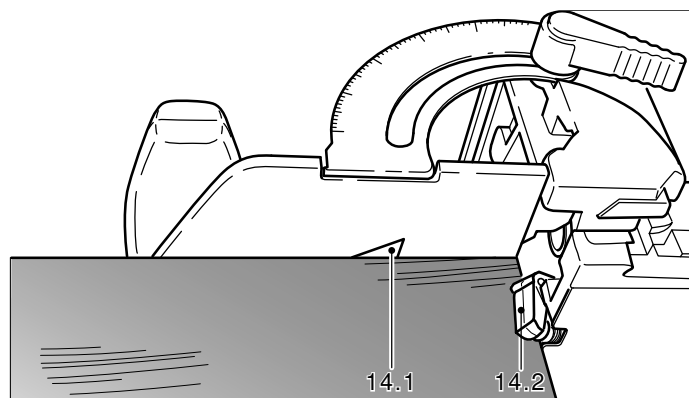
## **i** Remarque

- Si vous disposez d'un autre système dont le tuyau ne rentre pas dans le manchon de l'outil, sachez que les tuyaux Festool sont également compatibles avec la plupart des systèmes proposés par les autres marques.

## Utilisation des cliquets de butée

Les cliquets de butée situés à l'avant de la plaque d'appui permettent de positionner l'outil contre le chant de la pièce à travailler. Ainsi l'outil est placé de manière rapide et précise sur la pièce à travailler.

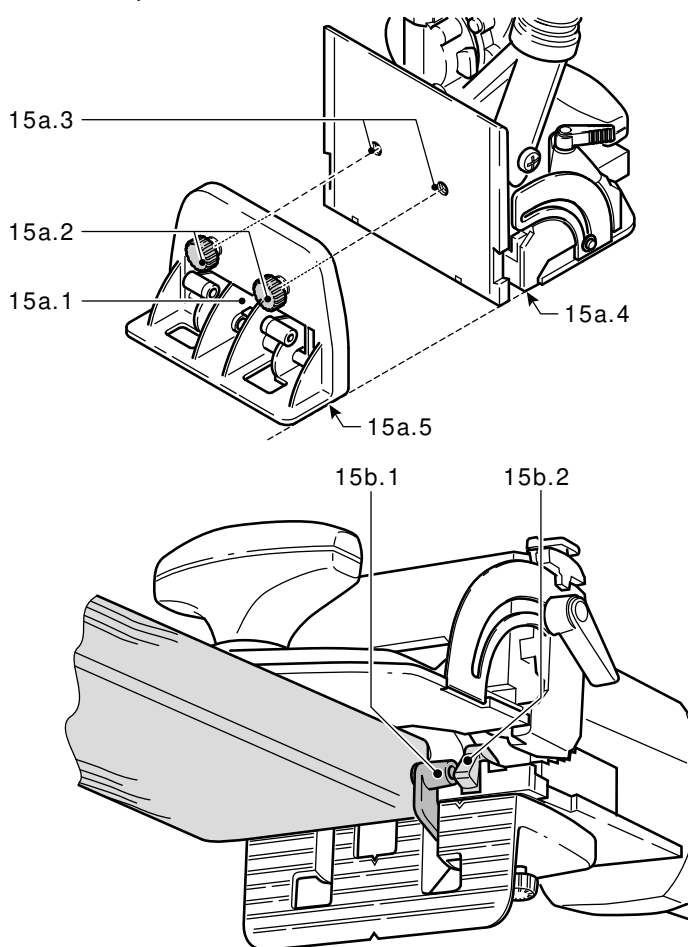
- Lorsque le cliquet de butée [14.2] est contre le chant de la pièce à travailler, le chant peut être visualisé par la fenêtre de contrôle [14.1] sur la plaque d'appui.
- La distance entre le cliquet de butée et le centre de la mortaise est alors de 37 mm (1-7/16 pouce).



## Butée latérale avec rallonge de surface de dépose

La butée latérale (15a.1) permet d'augmenter la surface de dépose en cas de fraisage en bord de pièce et donc de guider l'outil avec plus de sécurité. Les deux réducteurs de butée intégrés (15b.1) permettent de réduire l'espacement par rapport au centre de l'orifice de fraisage et de le ramener à une cote comprise entre 37 mm et 20 mm. Le tourillon peut alors être placé plus près du bord.

- Fixez la butée latérale avec les deux vis (15a.2) au niveau des alésages filetés (15a.3) du bloc à colonnes, les surfaces de dépose du support (15a.5) et de l'établi (15a.4) devant être sur le même plan.



- Pour réduire l'écartement, déployez l'un des deux réducteurs de butée (15b.1) (cf. fig. 15b). Celui-ci s'oriente automatiquement vers le loquet de butée (15b.2).

## Travail avec la machine

### Aperçu, remarques générales et conseils

Le bois est un matériau naturel et hétérogène. C'est pourquoi certaines variations dimensionnelles sont

inévitables lors du façonnage, même si l'outil est correctement réglé. La manipulation de l'outil (par ex. la vitesse d'avance) a aussi un impact sur sa précision de fonctionnement. Les cotes des éléments DOMINO en bois peuvent aussi varier en fonction des conditions de stockage (par ex. humidité). Ce sont autant de facteurs susceptibles d'avoir une incidence sur la précision dimensionnelle des trous destinés aux tourillons et, plus généralement, des assemblages par tourillons.

Ces variations dimensionnelles ont été déterminées sur la base de nombreuses séries d'essais. L'outil et les cotes des tourillons DOMINO ont été paramétrés en fonction de ces valeurs moyennes. S'il vous constatez, toutefois, un écart latéral de l'ordre de 0,03 mm à 0,04 mm lors de l'emboîtement de deux pièces, vous avez la possibilité de remplacer les loquets de butée d'origine (2.8) par des loquets de butée de correction. Ces loquets, dont la largeur est réduite de 0,15 mm, servent à diminuer l'écart latéral entre les trous destinés aux tourillons et l'arête de la pièce (cf. chapitre "Remplacements des cliquets de butée").

### Démarrage

Avant de traiter la pièce finale, il est recommandé de faire un essai de profondeur, de largeur et de diamètre d'alésage sur un échantillon pour optimiser le fraisage.

Le système Domino étant une forme d'assemblage classique à tenon et mortaise, vous devez suivre la même procédure. Voici quelques indications pour vous aider dans vos choix de réglages :

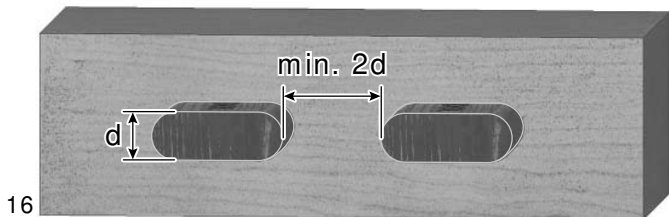
- Lorsque la robustesse de votre pièce à travailler est comparable à la robustesse du tenon Domino (bois durs par ex.), l'épaisseur du tenon Domino doit alors correspondre à environ 1/3 de l'épaisseur de la pièce à travailler.
- Il est possible d'utiliser un tenon légèrement plus épais (plus d'1/3 de l'épaisseur de la pièce) lorsque le tenon Domino n'est pas très large par rapport à l'assemblage. C'est pourquoi les tenons Domino de 8 mm sont les plus courants pour fraiser le bois 3/4 pouce.
- Pour les bois tendres, comme le pin, l'assemblage sera plus robuste si l'épaisseur du tenon correspond à 1/3 de celle de la pièce, ou légèrement moins.
- Pour le contre-plaqué, en particulier le contre-plaqué de qualité inférieure, le tenon Domino est nettement plus robuste que le matériau qui l'entoure, c'est pourquoi il est recommandé de maximiser la robustesse du matériau en minimisant l'épaisseur du tenon.

## Indications pour le positionnement des tenons Domino

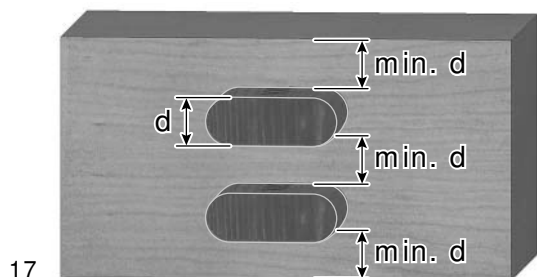
Il n'y a pas de règles particulières concernant le positionnement des tenons, en particulier lorsqu'ils sont utilisés à des fins d'alignement. Pour l'assemblage bord à bord, ils sont généralement placés à 6 à 8 pouces d'écart.

Néanmoins lorsque les tenons sont utilisés pour renforcer un assemblage, vous pouvez être tenté de les placer trop près les uns des autres. Or cela peut affaiblir l'assemblage car trop d'alésages sont alors fraisés dans le matériau.

- Une mortaise large affaiblit le matériau, c'est pourquoi il vaut mieux plusieurs mortaises étroites avec un espace intact entre chaque plutôt qu'une unique et large mortaise avec plusieurs tenons côte à côte.
- Lorsque vous placez plusieurs tenons à proximité les uns des autres, laissez entre chaque mortaise un espace au moins équivalent à deux fois la largeur du tenon. En règle générale, cela signifie que l'espace minimum entre chaque tenon est de 10 à 20 mm, mais les tenons peuvent également être nettement plus espacés.



- Lorsque vous fraisez des mortaises superposées pour les pièces de bois très épaisses, la "règle du 1/3" mentionné ci-dessus s'applique avec une petite modification. Ainsi la distance entre chaque mortaise et la distance entre une mortaise et la surface du matériau doit être égale à (ou supérieure à) l'épaisseur du tenon.

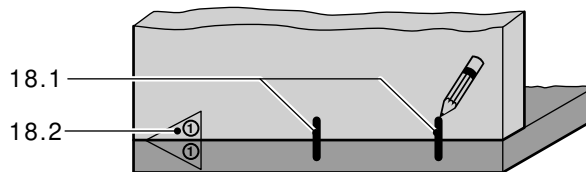


## Procédure de fraisage

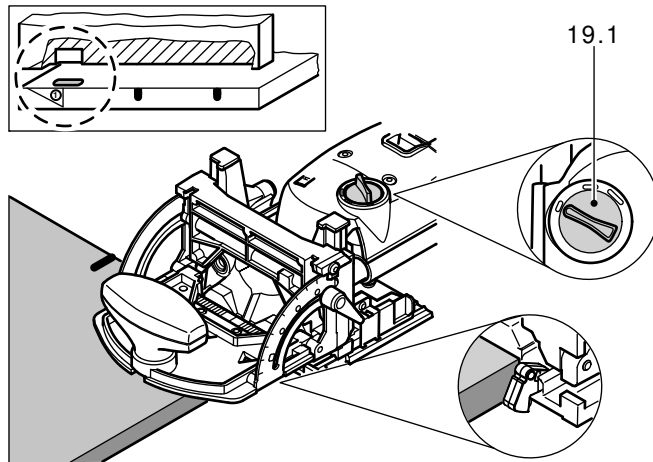
Procédez comme suit pour créer un assemblage à tourillons :

- Sélectionnez un tourillon Domino et placez la fraise correspondante dans la fraiseuse Domino.

- Réglez la profondeur de fraisage. La profondeur de fraisage doit être inférieure d'au moins 3 mm à l'épaisseur de la pièce afin que l'assemblage à tourillons soit stable.
- Réglez la hauteur de fraisage en fonction de l'épaisseur de la pièce à travailler.



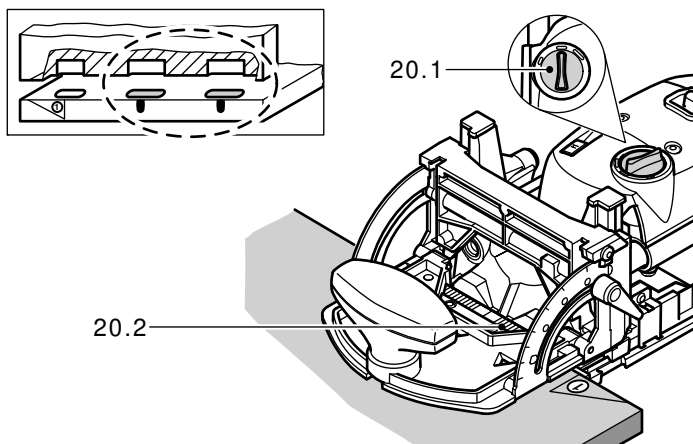
- Repérez les surfaces en correspondance de la pièce à travailler [18.1], afin de pouvoir les assembler correctement une fois les alésages fraisés.
- Faites correspondre les pièces à assembler et repérez les positions souhaitées pour chaque tourillon avec un crayon [18.2].
- Réglez la largeur de l'alésage souhaitée [19.1].



Notre conseil : fraisez le premier trou sans jeu (largeur d'alésage de tourillon = largeur de tourillon Domino), et les autres alésages de tourillon avec la largeur d'alésage de tourillon immédiatement supérieure. Le premier alésage sert ainsi de référence, alors que les autres alésages de tourillon ont une tolérance en cas de petites inexacitudes survenues lors de la fabrication.

- Fraisez le premier alésage en plaçant la butée d'arrêt contre le bord de la pièce à travailler.
- A l'aide de la molette [20.1], passez à la largeur de mortaise immédiatement supérieure.
- Fraisez les alésages suivants en fonction des repères effectués au crayon auparavant et de l'échelle graduée de la fenêtre [20.2].





## Maintenance

**⚠ AVERTISSEMENT** Pour éviter tout risque de blessure ou d'électrocution, veillez à toujours débrancher l'outil de la prise de courant avant d'entreprendre une quelconque intervention - maintenance ou réparation - sur l'outil.

**⚠ AVERTISSEMENT** Toute tâche de maintenance ou réparation nécessitant l'ouverture du capot moteur doit être réalisée uniquement par un service après-vente habilité (renseignez-vous auprès de votre vendeur pour connaître la location du service après-vente le plus proche). Les travaux de maintenance ou les réparations effectués par une personne non habilitée peuvent être à l'origine de mauvais raccordements électriques, de mauvais réglages ou de dégâts sur les composants, qui peuvent eux-mêmes provoquer des accidents.

**⚠ MISE EN GARDE** Ne nettoyez pas le bloc moteur de l'outil avec de l'air comprimé, vous risqueriez d'injecter des corps étrangers dans le moteur par les orifices de ventilation. L'air comprimé basse pression (30 psi) peut être utilisé pour nettoyer les autres composants, mais vous devez alors porter des équipements de protection (protection acoustique, protection des yeux et des voies respiratoires).

**⚠ MISE EN GARDE** Certains produits nettoyants et solvants sont nocifs pour les pièces en plastique. Quelques exemples de produit nocif : essence, acétone, méthyléthylcétone (MEK), chlorure de carbone, solutions nettoyantes contenant du chlore, de l'ammoniac et les produits ménagers contenant de l'ammoniac.

L'outil est équipé de balais moteur spéciaux couplés à un système d'arrêt automatique. Lorsque les balais sont usés, l'alimentation est coupée automatiquement et l'outil s'arrête.

## Entretien courant

La fraiseuse Domino nécessite peu d'entretien courant, hormis le nettoyage. Pour obtenir de meilleures performances et augmenter sa longévité, votre fraiseuse Domino doit rester propre.

- Pour une bonne ventilation de l'outil et du moteur, il est important que les orifices de ventilation situés sur le bloc moteur soient toujours dégagés et propres. Enlevez la sciure et nettoyez les orifices de ventilation du moteur situés à l'arrière de la poignée.
- Maintenez les rails de guidage linéaires propres, il ne doit pas y avoir de sciure.
- Utilisez toujours la fraiseuse Domino avec le système d'aspiration des poussières.
- Contrôlez régulièrement la ou les fraises pour vérifier qu'elles ne sont pas abîmées, usées ou émoussées. Réaffûtez ou remplacez-les le cas échéant.
- N'essayez jamais d'affûter vous-même les fraises. Les fraises doivent être affûtées par un personnel qualifié.
- Pour de meilleurs résultats, seule la pointe de la fraise doit être affûtée, et non les côtés.
- L'affûtage ne doit pas enlever plus d'1 mm de la pointe de la fraise, au-delà la fraise doit être remplacée. Si la fraise est trop affûtée, elle devient trop courte et les alésages fraisés ne sont plus adaptés aux tenons.

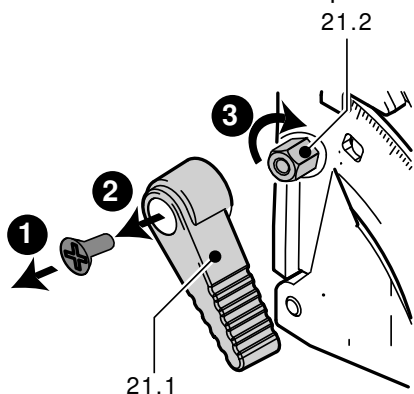
## Nettoyage et maintenance

- Nettoyez l'extérieur de l'outil avec de l'air comprimé basse pression pour enlever la sciure, mais n'orientez pas l'air directement sur les orifices de ventilation situés à l'arrière du moteur car des corps étrangers risqueraient de pénétrer dans le moteur.
- Enlevez la sciure coincée au niveau de la fraise à l'aide de l'air comprimé.
- Ne désolidarisez pas la plaque d'appui du bloc moteur tant que la fraiseuse est recouverte de sciure.
- Une fois l'extérieur de la fraiseuse nettoyée, désolidarisez la plaque d'appui du bloc moteur et nettoyez les coulisses linéaires :
  - Avec un tissu doux en coton, essuyez les rails de guidage linéaires.
  - Enlevez la poussière qui se trouve à l'intérieur des alésages du cylindre avec l'air comprimé.
  - Avec un chiffon doux en coton, essuyez l'intérieur des guides en bronze.

- Avec un chiffon en coton propre (n'utilisez pas le même chiffon que précédemment), appliquez un revêtement d'huile légère pour machine sur les rails de guidage linéaires.
  - Utilisez une huile pour machine légère telle que de l'huile pour "machine à coudre" ou pour outil pneumatique.
  - N'utilisez pas une huile pénétrante car elle peut contenir des solvants et détergents qui risquent d'enlever le lubrifiant appliqué sur les guides en bronze.
  - N'utilisez pas une huile ou un liquide anti-rouille car leurs propriétés lubrifiantes sont limitées et ils risquent également d'enlever le lubrifiant appliqué sur les guides en bronze.
- Lorsque la profondeur de fraiseuse est réglée au maximum, plongez la fraiseuse plusieurs fois pour répartir le lubrifiant dans les guides en bronze internes.
- Désolidarisez la plaque d'appui du bloc moteur et essuyez le surplus d'huile des rails de guidage linéaires.
- Remettez la plaque d'appui en place.
- Ne rangez jamais la fraiseuse alors que la plaque d'appui est désolidarisée du bloc moteur, la poussière et les corps étrangers risquent de s'immiscer dans les rails de guidage linéaires.

## Fixation du levier de blocage

- Retirez le levier de blocage [21.1] comme décrit sur la figure [21], étape 1 et 2.
- Serrez un peu plus la vis à tête hexagonale [21.2], comme décrit à l'étape 3.



- Montez le levier de blocage sur la vis à tête hexagonale et fixez-le à l'aide de la vis à tête cruciforme.

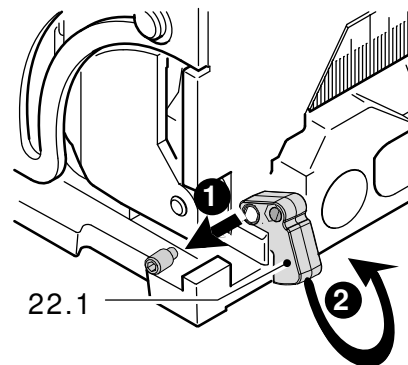
## Remplacements des cliquets de butée

Il est important que les deux cliquet de butée soient parfaitement espacées du centre de la mortaise

de manière à obtenir un bon alignement des mortaises.

Si la position des tenons Domino, dont l'alésage a été fraisé à droite et à gauche du cliquet de butée, ne correspond pas exactement (distance différente du bord de la pièce), un remplacement est nécessaire.

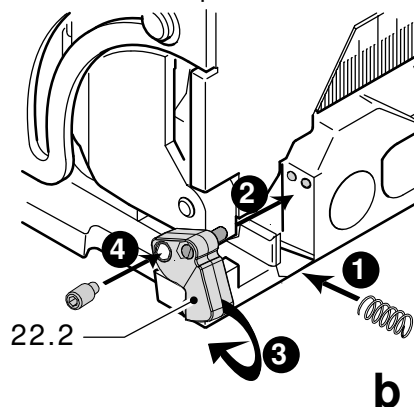
Des cliquets de butée spéciaux permettant un réglage très précis sont contenus dans le volume de livraison.



**a**

**Retirez un des cliquets de butée montés des deux côtés de la fraise à tourillon [fig. 22a] :**

- Etape 1 : desserrez la vis à six pans creux.
- Etape 2 : basculez le cliquet de butée vers le haut et retirez-le par le côté.



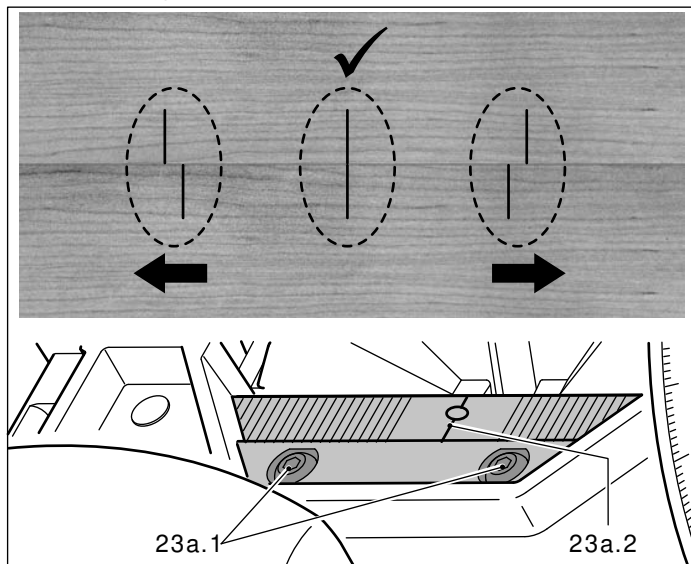
**b**

**Montez le cliquet de butée fournis d'une côté [fig. 22b] :**

- Etape 1 : insérez le ressort.
- Etape 2 : montez le cliquet de butée sur la fraise à tourillon.
- Etape 3 : basculez le cliquet de butée vers le bas, de façon à ce que la petite demi-sphère s'engage dans le ressort.
- Etape 4 : montez la vis à six pans creux et serrez le cliquet de butée.

## Etalonnage du niveau

Le niveau (également appelé œilleton) permet d'aligner les tenons Domino sur une marque effectuée au crayon sur la pièce à travailler. Si le niveau n'est pas parfaitement centré au-dessus de la mortaise, les deux pièces ne seront pas alignées lors de l'assemblage.



- Prenez deux retailles de bois et tracez sur chaque pièce un trait fin là où le tenon devra être.
- Réglez la plus petite largeur de mortaise à l'aide de la molette (cf. "Réglage de la largeur de la mortaise").
- Lorsque la ligne centrale [23a.2] de l'œilleton est alignée sur le trait tracé au crayon, fraisez chaque pièce de bois.
- Assemblez les deux pièces de bois sans colle et contrôlez l'alignement des traits effectués au crayon.
- Si les traits ne sont pas alignés, desserrez les deux vis [23a.1] sur l'œilleton et faites-le glisser latéralement comme indiqué sur la figure ci-dessus.

## Accessoires, outils





**⚠ AVERTISSEMENT** Pour votre sécurité, utilisez uniquement des accessoires et pièces de rechange Festool d'origine prévus pour cet outil.

Les références des accessoires et outils sont disponibles dans le catalogue Festool ou sur Internet à l'adresse [www.festoolusa.com](http://www.festoolusa.com).

## Systainer

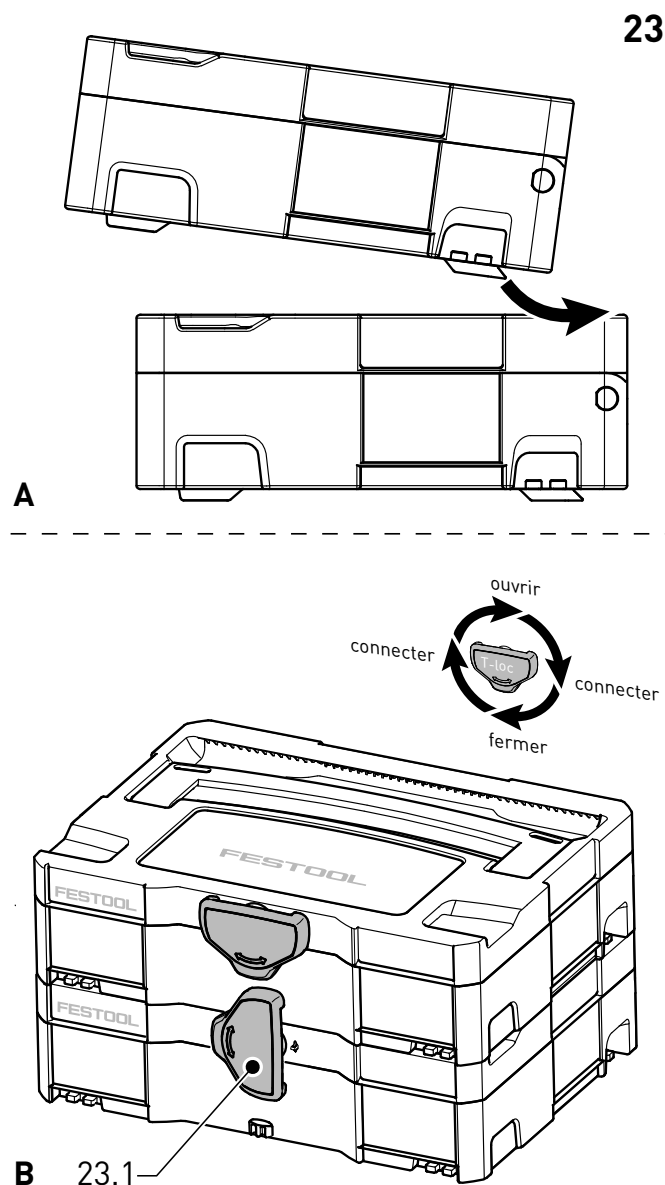
De nombreux produits Festool sont fournis dans une caisse exclusive, appelée "Systainer". Celle-ci

permet de protéger et de ranger des outils et des appareils complémentaires. Les Systainer sont empilables et peuvent être solidarifiés. En outre, ils se fixent sur les aspirateurs CT Festool.

- Pour ouvrir le Systainer:
  - Tournez le T-loc [23.1] à la position .
- Pour fermer le Systainer:
  - Tournez le T-loc [23.1] à la position .
- Pour connecter deux Systainers:
  - Placez un Systainer au-dessus de l'autre (Fig. 23 A).
  - Tournez le T-loc [23.1] à la position  ou  (Fig. 23 B).

Les Systainers sont combinés.

- Un Systainer de la nouvelle génération peut être attaché au-dessus d'un Systainer de l'ancienne génération par les quatre loquets de l'ancien Systainer.



23

A

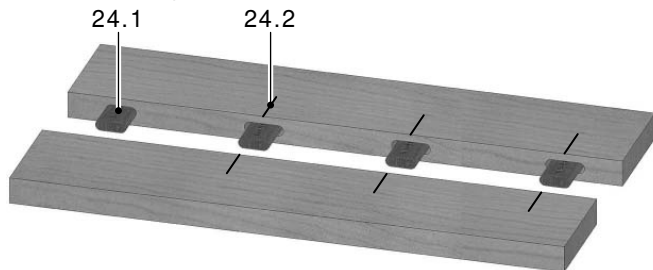
B

23.1

## Applications

### Assemblage bord à bord

L'assemblage bord à bord est une méthode courante pour obtenir des planches larges à partir d'une série de planches étroites. Les tenons Domino renforcent la solidité de l'assemblage et permettent d'aligner les planches à un même niveau.



Pour l'assemblage bord à bord, une série de tenons est placée le long de l'assemblage. Le premier tenon [24.1] permet de disposer les deux planches horizontalement, l'alésage est fraisé à une largeur standard. Les autres tenons permettent d'aligner les planches à un même niveau et les alésages peuvent être fraisés à une largeur supérieure.

#### **i** Conseils pour un assemblage réussi

- ▶ Utilisez les butées d'arrêt [2.8] pour la première mortaise, la molette doit être réglée sur la plus petite largeur.
- ▶ Pour les mortaises suivantes, vous pouvez conserver ce même réglage ou vous pouvez également passer au réglage supérieur, pour plus de facilité.
- ▶ Pour les assemblages standard, laissez un espace de 6 à 12 pouces entre chaque mortaise ; cet espace doit néanmoins être réduit pour les assemblages de contre-plaqué ou lorsqu'un assemblage plus solide est requis.
- ▶ Au lieu de marquer les emplacements des mortaises au crayon [24.2], vous pouvez utiliser la butée transversale disponible en option, elle permet de garantir des distances homogènes entre les mortaises le long d'une planche. Pour ce faire, placez les éléments saillants de la butée transversale dans l'alésage précédemment fraisé.

### Assemblage bout à bout (boîte)

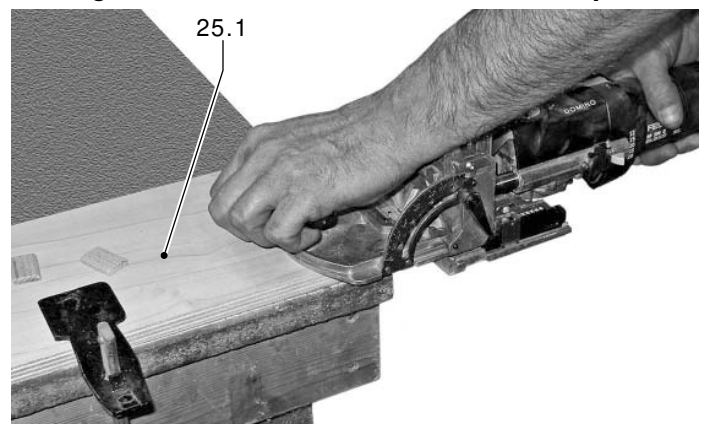
Les assemblages bout à bout sont généralement utilisés pour fabriquer des boîtes ou des tiroirs. Les tenons Domino consolident l'assemblage, rendant inutile tout autre système de fixation. L'exemple ci-dessous présente la fabrication d'un tiroir, néan-

moins ces techniques s'appliquent également à la fabrication d'autres types de boîtes.

#### **i** Conseils de fabrication

- ▶ Pour fabriquer un tiroir avec une face avant distincte, l'avant et l'arrière de l'ensemble doivent être captifs, comme sur la figure ci-dessous.
  - ▶ La face avant du tiroir est montée sur la structure qui forme le tiroir, une fois celle-ci assemblée.
  - ▶ Le tiroir est ainsi plus solide, les tenons étant perpendiculaires lors de l'ouverture et de la fermeture du tiroir.
  - ▶ Les extrémités des planches latérales sont cachées par la face avant distincte du tiroir.
- ▶ Pour fabriquer un tiroir sans face avant distincte, les côtés doivent être captifs et être entraînés par les faces avant et arrière (contrairement à la figure ci-dessous).
- ▶ Pour fabriquer le bâti d'un meuble de rangement, le haut et le bas du bâti doivent être captifs (Cf. également "Assemblage bout à bout (meuble de rangement)").

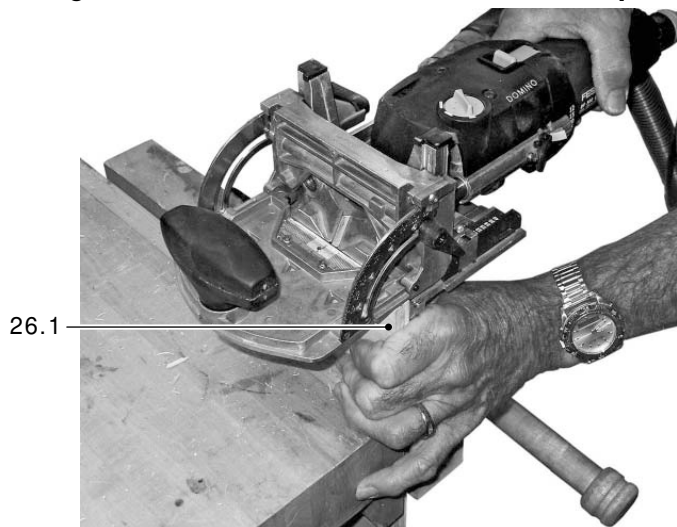
#### Usinage des trous de tenons des côtés captifs



- Choisissez un tenon Domino dont la taille est inférieure ou égale à 1/3 de l'épaisseur de la planche.
- Réglez la hauteur de la plaque d'appui pour que les tenons Domino soient au centre de l'épaisseur de la planche.
- Réglez la profondeur de fraisage.
- ▶ Remarque : si la pièce à travailler est peu épaisse, il peut s'avérer utile de décaler le tenon du centre.
- Fixez les planches captives [25.1] bien à plat sur votre établi.
- Alignez la position des tenons à l'aide des butées d'arrêt [2.8].

- Saisissez la fraiseuse Domino par la poignée auxiliaire, tenez-la fermement orientée vers la pièce à travailler et plongez lentement la fraise dans le bord de la pièce.

### Usinage des trous des tenons des côtés non captifs



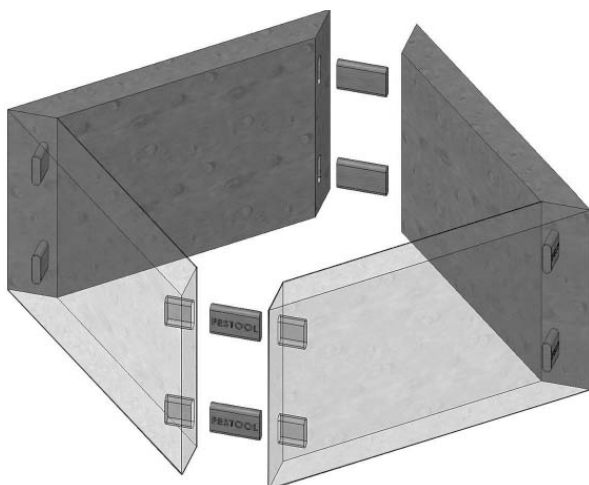
- Ne changez pas la hauteur de la plaque d'appui. Elle permet de conserver la même position de mortaise par rapport au bord de la planche.
- Installez le guide-butée.
- Si nécessaire, modifiez la profondeur de fraisage.
- Fixez la pièce à travailler [26.1] à la verticale.
- Plongez lentement la fraise dans la pièce.

**⚠ AVERTISSEMENT** Gardez vos mains à distance de la fraise.

### Assemblage à onglet (boîte)

En règle générale, les assemblages à onglet (boîte) sont peu robustes car l'assemblage se fait majoritairement de bout à bout. Les tenons renforcent considérablement l'assemblage et les pièces sont également plus faciles à assembler et serrer.

#### **i** Conseils de fabrication



27

- ▶ Pour des matériaux peu épais, placez les mortaises près du coin intérieur. Cela réduit le risque de fraiser la pièce de part en part.
- ▶ Pour les matériaux épais, il est possible de réaliser des alésages superposés comme en figure 28.

### Réglage et usinage



28

- Inclinez la plaque d'appui à l'angle approprié.
- Abaissez la plaque d'appui à la hauteur désirée. Remarque : la mortaise doit être placée près du coin intérieur pour éviter de fraiser la pièce de part en part.

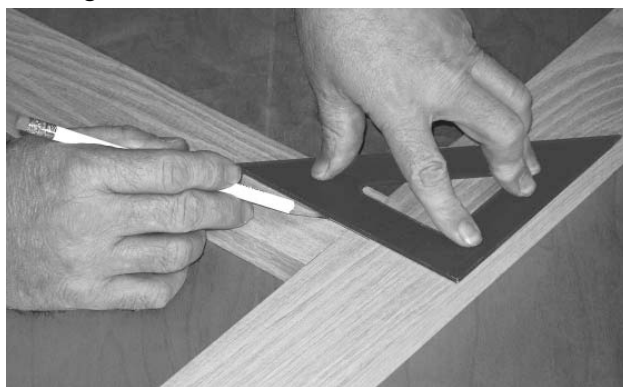
#### **i** Conseil

- ▶ Avant de fraiser l'alésage, vérifiez à deux reprises que vos réglages de profondeur sont corrects pour éviter de percer la pièce de part en part.
- Saisissez la fraiseuse par la poignée auxiliaire pour un meilleur contrôle de l'outil. Plongez la fraiseuse.

### Assemblage de cadre

Les tenons Domino peuvent être utilisés pour fabriquer rapidement des cadres renforcés de tout type.

#### Assemblage bout à bout (cadres)



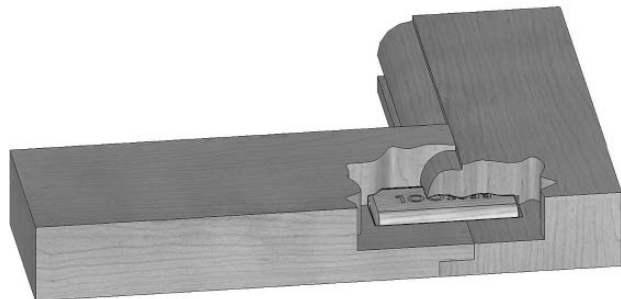
29

Lorsque vous réalisez des cadres avec des assemblages bout à bout, par exemple les structures des meubles de rangement, tracez des traits au crayon pour positionner les tenons. Utilisez l'œilleton au

niveau de la plaque d'appui [2.5] pour placer la fraiseuse sur le trait.

Pour les cadres étroits, une plaque d'appui plus adaptée est disponible en option.

### Assemblage profil / contre-profil à mi-bois renforcé par tenon (cadres)



30

Les tenons Domino peuvent être également utilisés pour renforcer la structure des cadres assemblés à profil contre-profil. C'est souvent le cas des cadres de portes à panneaux moulurés.

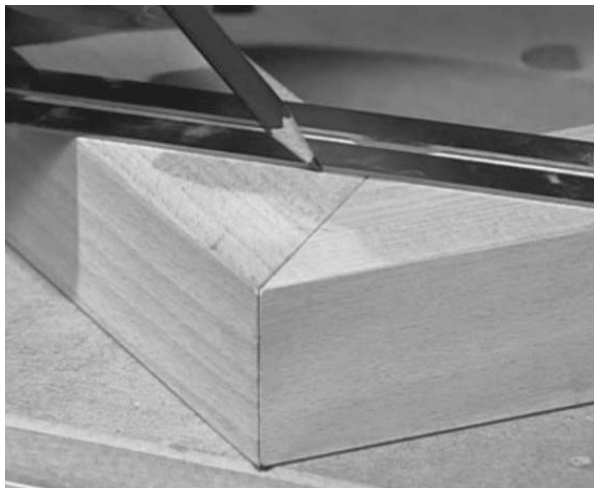
Les deux pièces du cadre se superposant, la profondeur de la mortaise doit être augmentée. La profondeur de chaque mortaise doit être augmentée de la moitié de l'ensemble formé par les deux pièces superposées.

Exemple : une fraise classique à profil contre profil a une largeur de profil (chevauchement) de 3/8" (environ 10 mm). Pour un tenon long de 40 mm, au lieu de régler une profondeur de 20 mm, vous devez la régler à 25 mm pour les deux pièces.

### Assemblage à onglet (cadre)

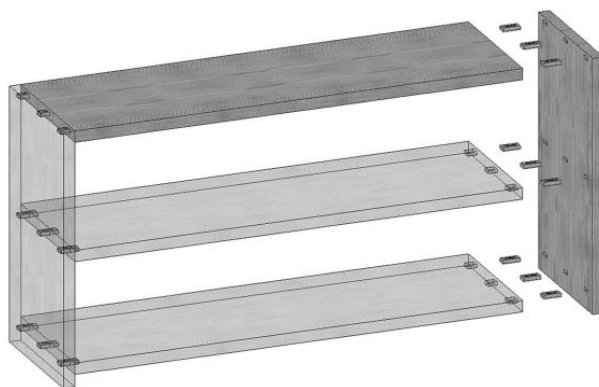
Lorsque vous réalisez des assemblages à onglet, placez le tenon davantage vers le coin intérieur. Cela réduit le risque de fraiser la pièce de part en part.

En cas d'assemblage à onglet, fixez toujours bien la pièce à l'établi.



31

## Assemblage bout à bout (meuble de rangement)



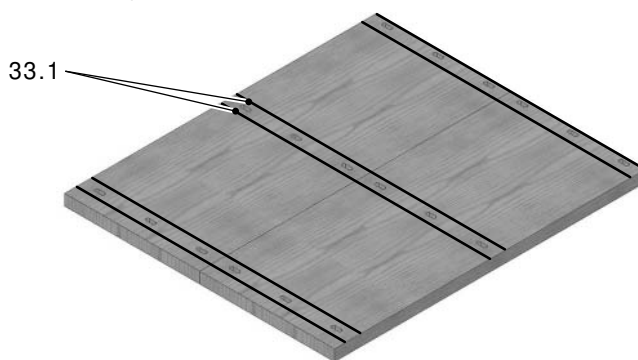
32

Les assemblages bout à bout à tenons sont une solution efficace pour fabriquer les structures des meubles de rangement. Les tenons fournissent un support solide pour chaque étagère qui viendra s'intercaler horizontalement dans le meuble.

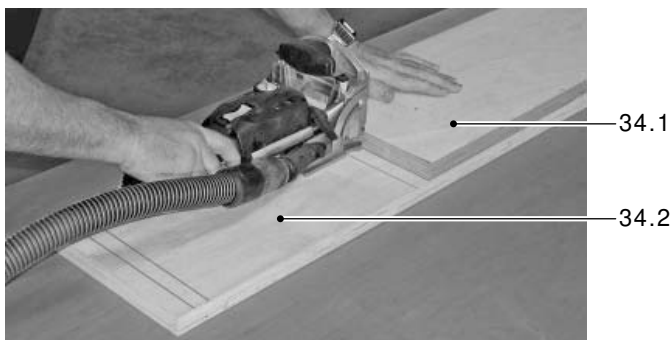
La simplicité de cette méthode réside dans l'utilisation des composants de la structure en vue d'aligner les éléments d'assemblage.

### Réglage et usinage

- Placez les cloisons verticales sur votre établi et tracez des lignes [33.1] sur chaque pièce pour indiquer l'endroit où viendront se placer les étagères. Remarque : pour éviter toute erreur par la suite, il est plus simple de tracer deux lignes à chaque fois, une au-dessus et une au-dessous de l'étagère.



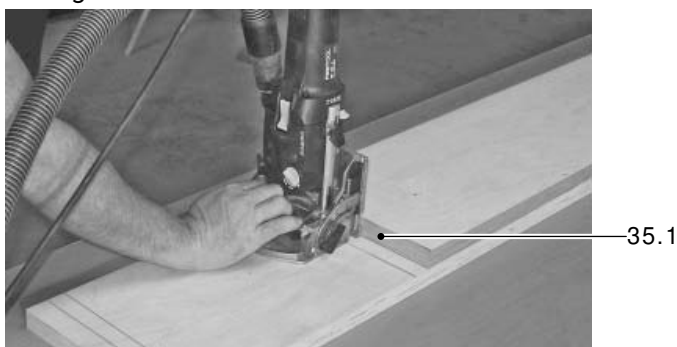
- Marquez également le dessus et le dessous de chaque étagère. Ainsi les mortaises à droite et à gauche sont signalées pour le même côté de l'étagère à chaque fois.
- Travaillez sur une étagère à la fois, placez l'étagère [34.1] sur le dessus de la cloison verticale [34.2] de manière à ce que son bord s'aligne avec le trait extérieur tracé au crayon.



### **i** Conseil

placez l'étagère à la perpendiculaire de la cloison, à la position qu'elle occupera une fois le meuble achevé (entre les deux traits effectués au crayon), puis inclinez lentement l'étagère pour l'amener contre la paroi, comme sur la figure 34. Pour une plus grande robustesse, placez les tenons davantage vers le côté inférieur de l'étagère.

- ▶ Si l'étagère est épaisse (plus de 20 mm), inclinez-la avec le dessus de l'étagère face à vous.
- ▶ Si l'étagère n'est pas très épaisse (moins de 20 mm), inclinez-la avec le dessous de l'étagère face à vous.
- Serrez les deux pièces ensemble pour les empêcher de bouger.
- Placez la semelle Domino sur la cloison verticale du meuble et plongez la fraiseuse dans le bord de l'étagère. N'utilisez pas la plaque d'appui pour régler la hauteur.



- Tenez la fraiseuse à la verticale, semelle contre le bord de l'étagère [35.1], et fraisez le côté de la cloison verticale du meuble.
- Répétez ces différentes étapes pour chaque étagère.
- Lorsque vous passez à l'autre cloison verticale du meuble, assurez-vous de bien garder le même côté de l'étagère vers vous.

## Conseils pour l'encollage

Il existe plusieurs façons d'appliquer la colle sur les assemblages ; sachez néanmoins que la qualité de l'assemblage peut en dépendre.

- ▶ Pour l'encollage d'assemblages complexes (long à mettre en œuvre), appliquez une couche de colle généreuse sur les pièces. Plus la couche de colle est épaisse, plus le temps de séchage est long. Le surplus de colle peut être enlevé une fois le travail terminé.
- ▶ Appliquez la colle sur la partie concernée de la pièce et dans les mortaises avant d'y insérer les tenons.
- ▶ Lorsque vous appliquez la colle pour les tenons, vous pouvez soit appliquer la colle dans les mortaises, soit étaler une fine couche sur les tenons Domino. Pour les applications où le tenon joue un rôle essentiel dans le maintien de l'assemblage, il est recommandé d'appliquer la colle directement sur le tenon. Les tenons Domino sont dotés de petites alvéoles [36.1] et de rainures [36.2] où vient se loger la colle lorsque le tenon est inséré dans la mortaise.



## Dépannage

Problème	Causes éventuelles et solution
Le moteur ne démarre pas	<ul style="list-style-type: none"> <li>▶ Vérifiez que le cordon d'alimentation est bien branché sur une prise de courant.</li> <li>▶ Vérifiez que le cordon plug-it est bien raccordé et fixé sur l'orifice prévu à cet effet.</li> <li>▶ Assurez-vous que la prise est bien alimentée en courant. Contrôlez le disjoncteur ou essayez à partir d'une autre prise de courant.</li> <li>▶ Si vous utilisez la fraiseuse avec un système d'aspiration des poussières Festool, assurez-vous que l'interrupteur est bien sur "Auto". La prise auxiliaire du système d'aspiration des poussières fonctionne uniquement lorsque l'interrupteur est sur "Auto".</li> <li>▶ Inspectez le cordon d'alimentation (y compris les rallonges) à la recherche de dommages ou de broches manquantes.</li> <li>▶ Les brosses moteur sont peut-être usées ; le cas échéant, remplacez-les.</li> </ul>
La plongée ne se fait pas sans à-coups	<ul style="list-style-type: none"> <li>▶ Nettoyez les rails de guidage linéaires et les guides en bronze, vérifiez qu'ils sont bien graissés.</li> <li>▶ Vérifiez que les guides en bronze ne sont pas endommagés. Si la plaque d'appui est mal fixée au bloc moteur, cela peut endommager les guides.</li> </ul>
Les tenons Domino ne sont pas bien fixés	<ul style="list-style-type: none"> <li>▶ Vérifiez que vous maintenez la fraiseuse Domino bien fermement en position lorsque vous fraisez des alésages.</li> <li>▶ Contrôlez le réglage de la largeur de la mortaise.</li> <li>▶ Assurez-vous que vous utilisez une fraise correspondant à la taille du tenon Domino.</li> <li>▶ Les tenons Domino ont pu rétrécir s'ils étaient conservés dans un milieu trop sec ou trop chaud C'est un phénomène normal lié à la nature du bois.</li> <li>▶ Vérifiez que la fraise n'est pas tordue. Une fraise tordue produit des mortaises plus épaisses et plus larges que souhaité.</li> </ul>
Les tenons Domino sont trop serrés	<ul style="list-style-type: none"> <li>▶ Cause la plus courante : les tenons sont conservés dans un milieu humide et ils ont gonflé en absorbant l'humidité. Conservez les tenons dans un endroit frais et sec.</li> <li>▶ La fraise n'est peut-être pas correctement affûtée ou a été affûtée de trop nombreuses fois. Remplacez-la.</li> </ul>
Les mortaises ne sont pas alignées horizontalement.	<ul style="list-style-type: none"> <li>▶ Vérifiez que la pièce est bien serrée avant de commencer le fraisage.</li> <li>▶ Vérifiez l'étalonnage des cliquets de butée.</li> <li>▶ Vérifiez l'étalonnage du niveau (œillette).</li> <li>▶ Ne plongez pas la fraise trop vite dans la pièce. Cela risque de faire bouger la fraiseuse pendant la plongée.</li> <li>▶ Assurez-vous que les patins de frottement à l'avant de la fraiseuse ne sont pas usés, endommagés ou manquants.</li> </ul>
Les mortaises ne sont pas alignées verticalement	<ul style="list-style-type: none"> <li>▶ Attention à ne pas incliner la fraiseuse lors de la plongée</li> <li>▶ Si les mortaises sont déterminées à partir de la base de la semelle, assurez-vous qu'il n'y a pas de poussières ou de débris sous la fraiseuse.</li> <li>▶ Vérifiez que la plaque d'appui est bien réglée à la hauteur souhaitée.</li> <li>▶ Contrôlez le levier de verrouillage de la hauteur, vérifiez qu'il n'est pas cassé.</li> </ul>
Mortaises inclinées ou mal alignées	<ul style="list-style-type: none"> <li>▶ Vérifiez que la plaque d'appui est réglée à l'angle adéquat (90 degrés par exemple).</li> <li>▶ Assurez-vous de bien maintenir la fraiseuse Domino sur la surface de travail.</li> </ul>
L'assemblage ne se "ferme" pas complètement (espace entre les pièces)	<ul style="list-style-type: none"> <li>▶ Vérifiez que la profondeur de plongée est appropriée.</li> <li>▶ Vérifiez que la fraiseuse est bien en contact avec la pièce à travailler.</li> <li>▶ La fraise a peut-être été affûtée de trop nombreuses fois et est donc trop courte.</li> <li>▶ Il y a peut-être trop de poussières dans la glissée linéaire.</li> <li>▶ Il y a peut-être trop de colle dans le fond de la mortaise.</li> </ul>



<b>Problème</b>	<b>Causes éventuelles et solution</b>
Mortaises arrachées ou raboteuses	<ul style="list-style-type: none"><li>▶ La vitesse de plongée est trop élevée. Diminuez-la.</li><li>▶ Les matériaux de qualité inférieure et les contre-plaqués sont moins résistants que les bois durs. Diminuer la vitesse de plongée améliorera les résultats mais ne résoudra pas le problème complètement.</li><li>▶ Fraise émoussée.</li></ul>
Mortaise fuselée. Le tenon Domino rentre seulement partiellement dans la mortaise	<ul style="list-style-type: none"><li>▶ La vitesse de plongée est trop élevée et la fraise ne taille pas les côtés correctement. Diminuez la vitesse de plongée.</li></ul>

## Contenido

<b>Normas de seguridad</b> .....	<b>42</b>
<b>Descripción de la herramienta de trabajo</b> .....	<b>44</b>
Especificaciones técnicas .....	44
Símbolos .....	44
Uso previsto .....	45
Descripción de las funciones .....	45
<b>Montaje</b> .....	<b>45</b>
Ajuste de una fresadora de espigas Domino nueva .....	45
Ajuste del ángulo de la fresadora .....	46
Ajuste de la altura de la fresadora .....	46
Ajuste de la anchura de la mortaja .....	47
Ajuste de la profundidad de la mortaja .....	47
Cambio de la broca para escoplear .....	48
<b>Funcionamiento</b> .....	<b>48</b>
Cable de alimentación plug it .....	48
Conexión de la fresadora .....	49
Alargador .....	49
Aspiración del polvo .....	49
Utilización de los trinquetes de tope .....	49
Tope lateral con ampliación del apoyo .....	50
<b>Funcionamiento de la máquina</b> .....	<b>50</b>
Descripción general, observaciones y recomendaciones.....	50
Ensamble - Procedimiento .....	51
<b>Mantenimiento</b> .....	<b>52</b>
Fijar la palanca de apriete .....	53
Cambio de los trinquetes de tope.....	53
Calibración del indicador de posición horizontal .....	54
<b>Accesorios, herramientas</b> .....	<b>54</b>
<b>Aplicaciones</b> .....	<b>55</b>
<b>Localización y resolución de problemas</b> .....	<b>59</b>

## Normas de seguridad

### Normas generales de seguridad en el trabajo

**⚠ ADVERTENCIA** Lea y comprenda las presentes instrucciones. Si no se siguen atentamente las siguientes instrucciones, existe el peligro de descargas eléctricas, incendios y lesiones.

## GUARDE BIEN ESTAS INSTRUCCIONES

### 1) Seguridad en el puesto de trabajo

**a) Mantenga limpio y bien iluminado su puesto de trabajo.** Las zonas desordenadas u oscuras son propensas a los accidentes.

**b) No utilice máquinas herramientas en atmósferas potencialmente explosivas, o en presencia de líquidos, gases inflamables o polvo.** Las chispas que producen las máquinas herramientas pueden inflamar el polvo o las emanaciones.

**c) Mientras funcione la máquina herramienta, mantenga alejados a los niños y al personal ajeno al trabajo.** Recuerde que una simple distracción puede hacerle perder el control.

### 2) Seguridad eléctrica

**a) Las máquinas herramientas deben estar provistas de enchufes que sean adecuados a la toma de corriente correspondiente. No cambie este enchufe bajo ningún concepto. Cuando utilice una máquina herramienta puesta a masa (conectada a tierra), evite el uso de enchufes adaptadores.** Si utiliza enchufes y tomas de corriente que no hayan sido modificados, reducirá el riesgo de descarga eléctrica.

**b) Evite el contacto con superficies con toma de tierra o puestas a masa, como cañerías, radiadores, cocinas y frigoríficos.** Si el cuerpo humano está puesto a masa o conectado a tierra, existe mayor peligro de descargas eléctricas.

**c) No exponga la máquina herramienta a los efectos de la lluvia o de la humedad.** La introducción de agua en la máquina herramienta aumenta el riesgo de descarga eléctrica.

**d) No fuerce el cable. No utilice el cable para levantar, arrastrar o desenchufar la máquina herramienta. Mantenga el cable alejado de fuentes de calor, aceite, bordes afilados o piezas móviles.** Los cables dañados o enmarañados aumentan el riesgo de descarga eléctrica.

**e) Al trabajar con la herramienta eléctrica en la intemperie utilice solamente cables de prolongación homologados para su uso en exteriores.** La utilización de un cable de prolongación adecuado para su uso en exteriores reduce el riesgo de una descarga eléctrica.

**f) Si fuese imprescindible utilizar la herramienta eléctrica en un entorno húmedo, es necesario conectarla a través de un fusible diferencial.** La aplicación de un fusible diferencial reduce el riesgo a exponerse a una descarga eléctrica.

### 3) Seguridad del personal

**a) Cuando utilice una máquina herramienta, esté siempre alerta, preste mucha atención a lo que esté haciendo y emplee el sentido común. No utilice la máquina herramienta si está cansado o bajo la influencia de drogas, alcohol o medicamentos.**

Cuando se utiliza una máquina herramienta, una breve distracción puede acarrear lesiones graves.

**b) Utilice equipo de seguridad personal. Utilice siempre la protección ocular adecuada.** El equipo de seguridad personal, como mascarillas, calzado de seguridad antideslizante, casco o protección para los oídos, etc., utilizado en las condiciones adecuadas, le ayudará a reducir el riesgo de sufrir lesiones.

**c) Evite el arranque fortuito. Antes de arrancar la máquina, asegúrese de que el interruptor esté desconectado.** No ponga los dedos sobre el interruptor cuando transporte la herramienta eléctrica ni la conecte con el interruptor activado, ya que se expone a sufrir un accidente.

**d) Antes de arrancar la máquina, retire las llaves de ajuste que tuviera acopladas.** Una llave de ajuste conectada a una pieza rotatoria de la máquina herramienta podría causarle lesiones.

**e) No fuerce sus movimientos. Mantenga siempre el equilibrio.** En caso de situaciones inesperadas, estas instrucciones le serán útiles para mantener el control sobre la máquina herramienta.

**f) Lleve indumentaria adecuada. Evite el uso de ropa demasiado holgada o bisutería. Mantenga el pelo, la ropa y los guantes alejados de las piezas móviles.** La ropa demasiado ancha, la bisutería o el pelo largo pueden enredarse en las piezas móviles.

**g) Si se han instalado dispositivos para la conexión de aspiradores de polvo e instalaciones de extracción, asegúrese de que estén bien conectados y de que funcionen debidamente.** La utilización de estos dispositivos reduce el peligro ocasionado por el polvo.

### 4) Utilización y mantenimiento de la máquina herramienta

**a) No fuerce la máquina herramienta. Utilice la máquina herramienta adecuada para el uso al que está destinada.** Si la máquina herramienta es la adecuada, trabajará mejor, con mayor seguridad y al ritmo establecido.

**b) No utilice la máquina herramienta si el interruptor no funciona.** Una máquina herramienta

con el interruptor estropeado es peligrosa y se debe reparar.

**c) Desconecte el cable de la fuente de alimentación antes de efectuar ajustes, cambiar accesorios o almacenar la máquina herramienta.** Las medidas de seguridad anteriores permiten reducir el riesgo de activar fortuitamente la máquina herramienta.

**d) Cuando no utilice la máquina herramienta, guárdela lejos del alcance de los niños y no permita que personas ajenas la manipulen.** Una máquina herramienta es peligrosa si la persona que la utiliza no conoce debidamente su uso.

**e) Mantenimiento de la máquina herramienta. Compruebe que las piezas móviles no presentan desplazamiento o deformidad, roturas u otros daños que pudieran afectar el funcionamiento de la máquina herramienta. Si la máquina herramienta se estropea, deberá enviarla a reparar antes de volver a utilizarla.** La causa de muchos accidentes relacionados con una máquina herramienta suele ser el mantenimiento defectuoso de la misma.

**f) Mantenga las cuchillas afiladas y limpias.** El mantenimiento adecuado del filo hace que las cuchillas se doblen menos y sean más fáciles de controlar.

**g) Utilice herramientas eléctricas, accesorios, útiles, etc. de acuerdo a estas instrucciones y en la manera indicada específicamente para este aparato. Considere en ello las condiciones de trabajo y la tarea a realizar.** El uso de herramientas eléctricas para trabajos diferentes de aquellos para los que han sido concebidas puede resultar peligroso.

**h) Mantenga las empuñaduras secas, limpias y libres de aceite y grasa.** Las empuñaduras resbaladizas no permiten una manipulación y un control seguros de la herramienta eléctrica en situaciones inesperadas.

### 5) Servicio

**Encargue la reparación de la máquina herramienta sólo a personal cualificado que utilice siempre piezas de repuesto originales.** Así podrá garantizar la seguridad durante el funcionamiento de la máquina herramienta.

### Normas de seguridad específicas

**a) Las herramientas deben estar diseñadas para soportar, como mínimo, el número de revoluciones indicado en la herramienta eléctrica.** Si se superan estas revoluciones, las herramientas en funcionamiento o piezas de las mismas pueden salir despedidas y causar lesiones.

**b) Utilice la máquina sólo con el bastidor de guía.**

El bastidor de guía protege al usuario de las piezas que pudieran desprenderse de la fresa y evita el contacto involuntario con ésta.

**c) Sujete la herramienta eléctrica únicamente por las zonas de agarre aisladas, ya que la fresa podría entrar en contacto con algún cable de red.**

El contacto con una conducción de corriente puede poner bajo tensión también las piezas metálicas de la máquina y provocar una descarga eléctrica.

**d) Mantenga las manos alejadas de la zona de corte.** Mientras la máquina esté funcionando, no coloque las manos en la parte frontal de la fresadora.**e) No utilice nunca la fresadora de espigas sin la fresadora incorporada.** Cuando se retira la fresadora de la fresadora de espigas, el cortador rotatorio oscilante que queda al descubierto puede causarle lesiones graves.**f) Utilice exclusivamente brocas para escoplear que sean originales de Festool.** Las brocas para escoplear que no sean originales pueden aflojarse durante el funcionamiento.**g) No utilice nunca brocas que estén flojas o dañadas.** Las brocas para escoplear flojas o dañadas pueden provocar que la máquina se tambalee inesperadamente desplazándose hacia los lados con la consiguiente pérdida de control sobre el funcionamiento de la misma.**h) No utilice la máquina si el resorte de carga de la fresadora no está de nuevo en su posición de reposo hacia delante.** La fresadora cubre la broca para escoplear para evitar el contacto fortuito con la misma. Si las guías deslizantes de la fresadora se atascan, lleve enseguida la máquina a reparar a un servicio autorizado.**i) Espere a que el cortador se haya detenido antes de bajar la herramienta.** Un cortador al descubierto puede entrar en contacto con la superficie y provocar una pérdida de control con las lesiones consiguientes.**j) Utilice bridas u otro método similar para asegurar y sujetar la pieza de trabajo sobre una plataforma estable.** Si sujeta la pieza con la mano o la apoya contra el cuerpo, la pérdida de equilibrio puede hacerle perder el control.

dades propias de la construcción, contiene sustancias químicas que (según el estado de California) pueden causar cáncer, defectos de nacimiento y otras patologías de la reproducción. Varios ejemplos de este tipo de sustancias químicas:

- plomo procedente de pinturas,
- sílice cristalina obtenida de ladrillos, cemento y otros productos de albañilería y
- arsénico y cromo procedentes de maderas industriales sometidas a tratamiento químico.

El riesgo de estas exposiciones varía según la frecuencia de trabajo.



Para disminuir la exposición a las sustancias químicas antes mencionadas, se recomienda trabajar en zonas bien ventiladas y utilizar equipos de seguridad homologados, como mascarillas que hayan sido expresamente diseñadas para eliminar las partículas microscópicas. Lávese las manos después de la manipulación.

**⚠ ADVERTENCIA PARA REDUCIR EL RIESGO DE LESIONES, EL USUARIO DEBERÁ LEER ATENTAMENTE EL MANUAL DE FUNCIONAMIENTO.**

## Descripción de la herramienta de trabajo

### Especificaciones técnicas

Potencia	420 W
Velocidad (sin carga)	25.500 rpm
Profundidad máxima de mortaja,	28 mm (1.1")
Anchura máxima de mortaja,	23 mm (0,9") +
	diámetro de la broca
Dimensiones de la broca para escoplear	4/5/6/8/10 mm
Rosca de conexión del árbol de accionamiento	M6 x 0,75
Peso (sin cable)	3,2 kg (7 lbs)
Grado de protección	□ / II

Estas dimensiones métricas deben ser respetadas. Las dimensiones de la broca son fundamentales para obtener un funcionamiento seguro y se representan exclusivamente en unidades métricas.

## Riesgos para la salud producidos por el polvo

**⚠ ADVERTENCIA** El polvo producido por el lijado, el serrado, la trituración, el taladrado y otras activi-

## Símbolos

V	Voltios
A	Amperios
Hz	Hercios

~	Corriente alterna
$n_0$	Sin velocidad de carga
□	Construcción Clase II
rpm	Revoluciones o reciprocidad por minuto
∅	Diámetro



Atención, ¡peligro!



¡Usar protectores auditivos!



Instrucciones, ¡leer las indicaciones!



Póngase también una máscara si el trabajo a realizar produce polvo.

## Uso previsto

La fresadora de espigas Domino está especialmente indicada para el ranurado de madera dura y blanda, planchas de madera aglomerada, contrachapados de madera y tableros de fibra. Cualquier otra aplicación se considerará no conforme al uso previsto. La máquina no se deberá modificar o utilizar para cualquier otro propósito que el que se especifica en estas instrucciones de funcionamiento. Si utiliza la herramienta contraviniendo las instrucciones de este manual, se anulará la garantía y podría ser causa de lesiones.

**⚠ADVERTENCIA** El usuario será responsable de los posibles daños y accidentes ocasionados por el mal uso o el abuso de la herramienta.

## Descripción de las funciones

Las imágenes con la descripción de las funciones de la máquina se encuentran en una hoja desplegable al comienzo de este manual de instrucciones. Cuando lea este manual, le recomendamos que despliegue esta página para disponer fácilmente de una vista general de la máquina.

- [1.1] Empuñadura auxiliar
- [1.2] Disco para anchura de mortaja
- [1.3] Palanca de bloqueo de la fresadora
- [1.4] Interruptor de alimentación
- [1.5] Empuñadura principal (mango de sujeción)
- [1.6] Toma de alimentación tipo plug it
- [1.7] Palanca de ajuste de la profundidad
- [1.8] Bloqueo de ajuste de la profundidad

- [1.9] Indicador de grosor de la tabla
- [1.10] Palanca de bloqueo del ángulo de la fresadora
- [1.11] Indicador del ángulo de la fresadora
- [2.1] Cuerpo de la fresadora
- [2.2] Bloqueo del husillo
- [2.3] Alojamiento del motor
- [2.4] Palanca de desbloqueo del cuerpo de la fresadora
- [2.5] Indicador de posición horizontal
- [2.6] Zapatas de freno (2 unidades)
- [2.7] Abertura del cuello de la broca para escoplear
- [2.8] Trinquetes de tope (2 unidades)
- [2.9] Ranura de montaje para el puntal
- [2.10] Placa de asiento
- [2.11] Orificio de recogida de polvo

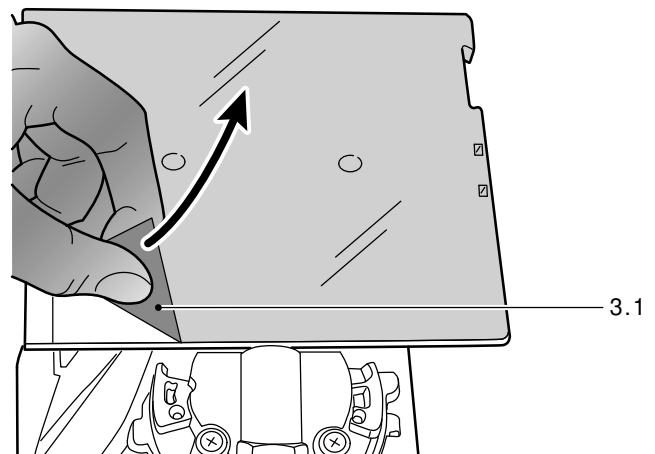
## Montaje

### Ajuste de una fresadora de espigas Domino nueva

**⚠ADVERTENCIA** Se recomienda desconectar siempre la herramienta de la fuente de alimentación antes de proceder a efectuar cualquier tipo de comprobación o ajuste o antes de instalar o retirar cualquier accesorio.

- Con la fresadora de espigas sin conectar, inspeccione la broca para escoplear. Asegúrese de que no esté doblada, desportillada o presente daños, y asegúrese de que esté bien sujeta al husillo. (Consulte "Cambio de la broca para escoplear").

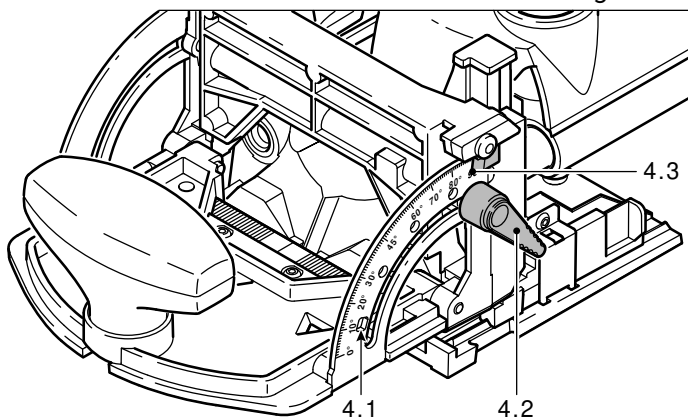
**⚠ADVERTENCIA** Compruebe periódicamente que la broca esté en buen estado. Evite el uso de brocas que estén torcidas o dañadas.



- Retire la película protectora [3.1] de la parte inferior de la placa de asiento de la fresadora de espigas.
- Ajuste la fresadora de espigas al tipo de funcionamiento deseado según se describe en el recordatorio de esta sección.
- Asegúrese de que la altura de la fresadora y las palancas de bloqueo de ángulo estén debidamente ajustadas.
- Coloque el cable de alimentación en el receptáculo plug it de la fresadora. (Consulte "Funcionamiento - cable de alimentación plug it").

## Ajuste del ángulo de la fresadora

Algunos ensamblajes requieren que la fresadora esté ajustada en ángulo con la broca. La aplicación más común es la realización de ensamblajes a inglete.



- Para su seguridad, desconecte la fresadora de espigas.
- Afloje la palanca de bloqueo de ángulo de la fresadora [4.2] girándola  $\frac{1}{4}$  de vuelta en dirección opuesta a las agujas del reloj.
- Gire la cara de la fresadora hasta obtener el ángulo deseado y ajuste la palanca de bloqueo [4.2].

### **i** Indicaciones:

- ▶ La fresadora dispone de paradas de distensión [4.1] de  $22\frac{1}{2}$ , 45,  $67\frac{1}{2}$  y 90 grados.
- ▶ Utilice el puntero indicador [4.3] para ajustar otros ángulos de la fresadora diferentes a los que se indican arriba.
- ▶ Para obtener mayor estabilidad, la palanca de bloqueo de la fresadora queda sujeta a ambos lados.

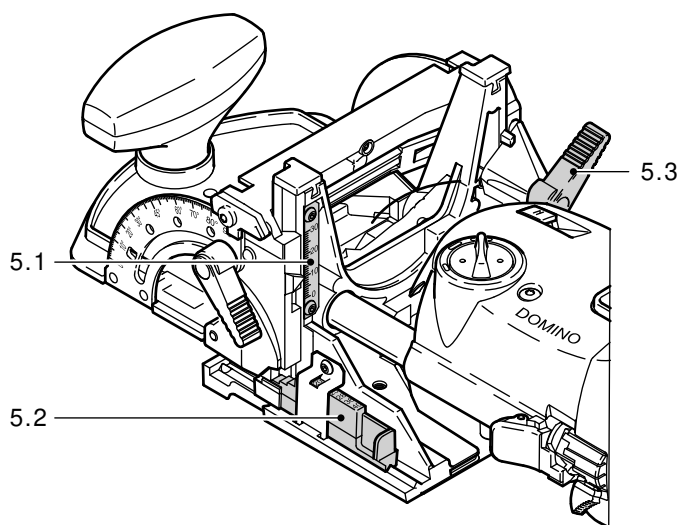
## Ajuste de la altura de la fresadora

La altura de la fresadora se deberá ajustar según el tipo de ensamble que se efectúe y según el gro-

sor del material que se tenga que unir. Consulte la sección sobre Aplicaciones de la página 14 para obtener más información sobre la altura óptima de la fresadora para cada aplicación específica. Existen dos características para ajustar la altura de la fresadora: el indicador de altura y el indicador del grosor de la tabla.

### Indicador de altura

El indicador de altura indica la distancia entre la parte inferior de la fresadora y la línea central de la broca para escoplear. Utilice este dispositivo para ajustar la altura de perforación en relación con la superficie de la pieza de trabajo.



- Afloje la altura de la palanca de bloqueo de la fresadora [5.3] girándola  $\frac{1}{4}$  de vuelta en dirección opuesta a las agujas del reloj.
- Asegúrese de que el indicador del grosor de la tabla [5.2] está replegado fuera de la zona de trabajo (en su ajuste inferior).
- Suba o baje la fresadora hasta que el puntero del indicador señale la altura deseada [5.1].
- Fije la palanca de bloqueo [5.3].

### Indicador del grosor de la tabla

Las cifras que figuran en el indicador [5.2] indican el grosor de la pieza de trabajo (en mm) y la altura de la mortaja se alinearán en correspondencia con el centro de la pieza de trabajo. Utilice este dispositivo para ajustar la altura de la fresadora según corresponda con el grosor de la pieza de trabajo sin tener que calcular la distancia al centro.

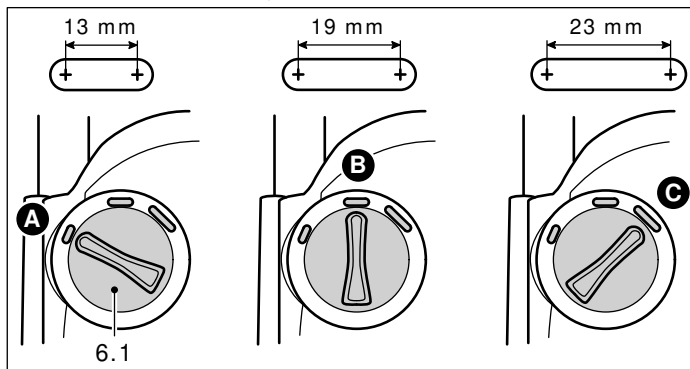
**⚠ PRECAUCION** No utilice el indicador de grosor de la tabla para efectuar ensamblajes a inglete, ya que de este modo situaría la fresadora demasiado cerca del borde de la unión.

- Afloje la altura de la palanca de bloqueo de la fresadora [5.3] girándola  $\frac{1}{4}$  de vuelta en dirección opuesta a las agujas del reloj.

- Suba la fresadora por encima del indicador del grosor de la tabla [5.3].
- Deslice el indicador adentro y afuera hasta que el grosor de la pieza de trabajo (en mm) aparezca en la ventana de visualización.
- Baje la fresadora hasta que toque el indicador.
- Asegure la palanca de bloqueo [5.3].

## Ajuste de la anchura de la mortaja

La anchura de la ranura de mortaja se puede aumentar mediante el disco para anchura de mortaja [6.1] lo que permite cierta flexibilidad lateral en la posición de la espiga.



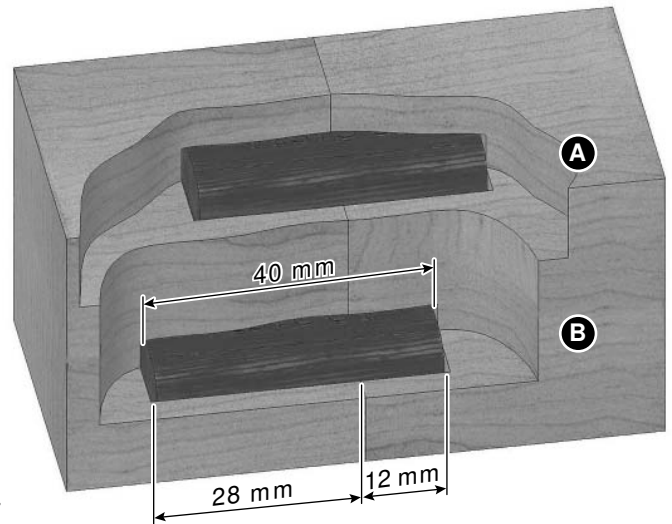
En la posición estándar (menor) [A], la espiga Domino encaja perfectamente en la ranura de mortaja. La anchura de la ranura de mortaja es de 13 mm + el diámetro de la broca. En la posición intermedia [B], la ranura de mortaja deberá ser 6 mm más ancha que la espiga Domino. En la posición más abierta [C], la ranura de mortaja deberá ser 10 mm más ancha que la espiga Domino.

**⚠ PRECAUCIÓN** Si no se siguen atentamente las instrucciones que figuran a continuación, se puede dañar la herramienta.

- ▶ No fuerce el disco para que gire.
- ▶ Gire el disco de ajuste sólo cuando el motor esté en funcionamiento.
- ▶ No gire el disco durante el ranurado. Podría doblarse o romperse la broca para escoplear y, además, la máquina podría sufrir daños.

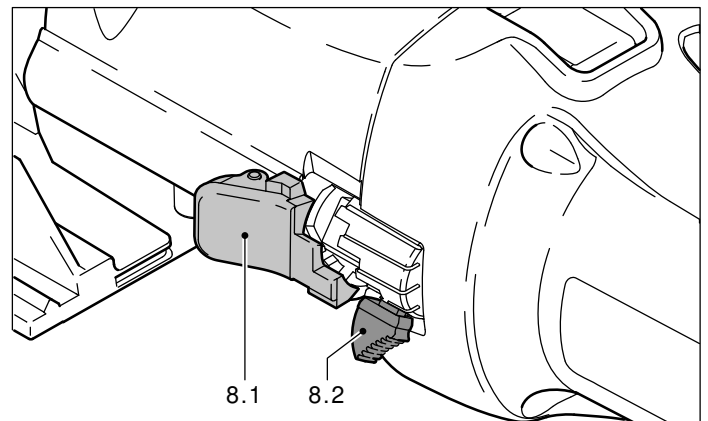
## Ajuste de la profundidad de la mortaja

La profundidad de la mortaja determina la profundidad de penetración de la broca para escoplear en la pieza de trabajo. Por tanto, se puede ajustar para los diferentes tamaños de espiga.



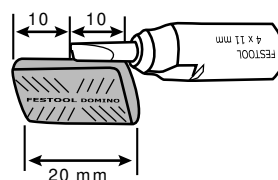
7

En muchos casos, la espiga debe centrarse sobre la unión y la profundidad de la mortaja debería ser la  $\frac{1}{2}$  de la longitud la espiga. No obstante, en ciertos casos se puede desear introducir una porción mayor de la espiga en una pieza que en la otra (véase en la ilustración una espiga Domino más corta). En este caso, la suma de las dos profundidades deberá ser igual a la longitud de la espiga. (En el ejemplo siguiente de espiga compensada, la espiga Domino mide 40 mm de longitud, la mortaja izquierda mide 28 mm de profundidad y la mortaja derecha mide 12 mm de profundidad.)



- Presione el ajuste de bloqueo de profundidad [8.1].
- Desplace la palanca de ajuste de profundidad [8.2] hasta conseguir la posición escalonada con la profundidad deseada.
- Libere el bloqueo de profundidad [8.1].

Para 4 x 20 mm DOMINO



Para el taco DOMINO 4x20 mm, existe una fresa especial (debido al peligro de rotura). **Tenga en cuenta** los siguientes puntos al utilizar esta fresa (D 4-NL 11 HW-DF 500): Ajuste la profundi-

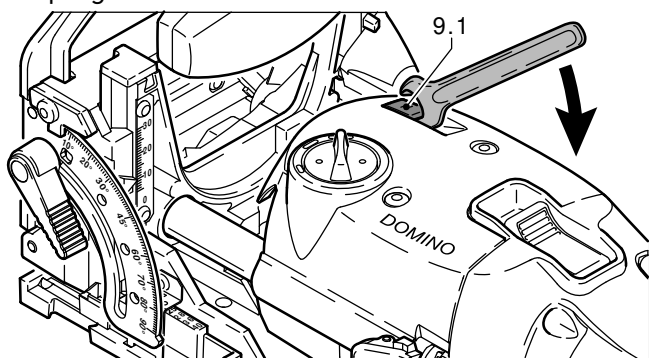
dad de fresado a 20 mm con la palanca de trinquete (1.7). La profundidad de fresado real corresponde a 10 mm. El taco solo puede fijarse en la posición central (véase la figura arriba).

## Cambio de la broca para escoplear

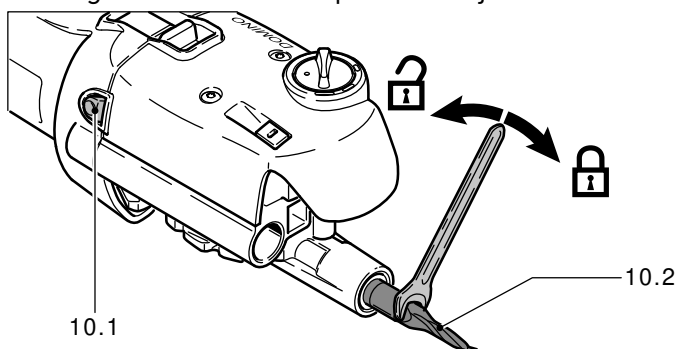
Están disponibles diferentes tipos de brocas para una variedad de tamaños diferentes de espigas Domino. El modelo DF500 viene equipado con una broca de 5 mm con las opciones disponibles de 6, 8, y 10 mm.

**⚠ ADVERTENCIA** Desconecte siempre la herramienta antes de proceder a cambiar la broca para escoplear o de retirar el cuerpo de la fresadora del alojamiento del motor.

- Utilice la llave que se suministra de 8 mm para levantar la palanca de liberación del cuerpo de la fresadora [9.1] y deslícela fuera del alojamiento del motor (véase la fig. 2 de la página desplegable).



- Presione y mantenga pulsado el botón de bloqueo del husillo [10.1]. De este modo el husillo dejará de girar mientras se puede aflojar la broca.



- Afloje la broca [10.2] girándola en el sentido contrario a las agujas de reloj (roscado estándar hacia la derecha).
- Introduzca una nueva broca y mueva las roscas con la mano para evitar que se dañen.
- Presione el bloqueo del husillo [10.1] mientras ajusta la broca. No apriete la broca con demasiada fuerza.

- Vuelva a colocar con cuidado el cuerpo de la fresadora en el alojamiento del motor presionándolo hasta que oiga el clic del resorte.

## **i** Indicaciones:

- ▶ Antes de introducir el cuerpo de la fresadora, asegúrese de que no haya polvo en el interior de los tubos de guiado.
- ▶ Cuando vuelva a colocar el cuerpo de la fresadora, tenga cuidado de no dañar los cojinetes lineales (tubos huecos). Si no se desliza con facilidad, significa que la fresadora está desalineada con respecto a los cojinetes.

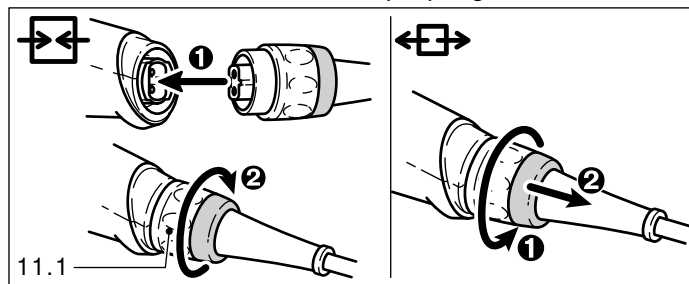
## Funcionamiento

**⚠ ADVERTENCIA** Al trabajar, tenga en cuenta las siguientes normas:

- ▶ La tensión de la red debe coincidir con los datos que figuran en la placa indicadora de potencia.
- ▶ Fije la pieza de trabajo siempre de forma que no se pueda mover cuando trabaje con ella.
- ▶ Durante los trabajos, sujete la fresadora de espigas Domino con ambas manos por el alojamiento del motor y la empuñadura auxiliar. De este modo, evitará posibles accidentes y conseguirá aumentar la precisión del trabajo.
- ▶ Cierre la palanca de apriete para el ajuste de la altura de fresado [2.3] y la palanca de apriete para el tope angular [1.5] a fin de evitar que se abran accidentalmente durante el funcionamiento.
- ▶ Ajuste la velocidad de avance al diámetro de la broca y al material. Trabaje con una velocidad de avance constante.
- ▶ No retire la ensambladora Domino hasta que la broca se haya detenido completamente.

## Cable de alimentación plug it

La fresadora Domino viene equipada con un cable de alimentación extraíble tipo plug it.



Para colocar el cable de alimentación, introdúzcalo en el orificio de entrada de la herramienta man-



teniendo la llave y la junta dentada alineadas y, a continuación, gire la anilla de bloqueo [11.1].

Invierta el proceso para retirar el cable.

### **i** Observación:

- ▶ Gire la anilla de bloqueo exterior [11.1]  $\frac{1}{4}$  de vuelta para conectar o desconectar el cable.

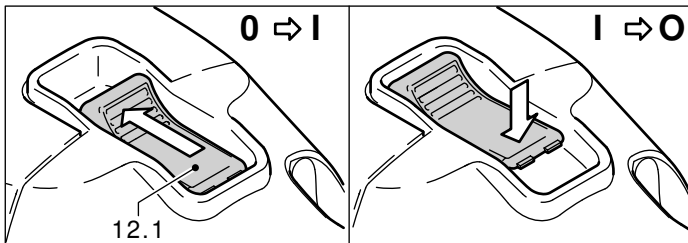
## Conexión de la fresadora

**⚠ ADVERTENCIA** No conecte nunca la herramienta con el cuerpo de la fresadora retirado, ya que de este modo el cortador giratorio queda al descubierto.

**⚠ ADVERTENCIA** Antes de encender la máquina, asegúrese de que todas las empuñaduras estén bien ajustadas y bloqueadas y de que la herramienta se puede conectar sin que exista peligro alguno.

Para encender la fresadora, pulse el interruptor [12.1] hacia adelante y hacia abajo. El interruptor de encendido se bloqueará en la posición ON cuando se haya activado.

Para apagar la fresadora, presione hacia abajo el dorso del interruptor de contacto para liberar el resorte.



## Alargador

Si se precisa usar un alargador, su sección transversal deberá tener las dimensiones suficientes para evitar una pérdida excesiva de voltaje o que se produzca un sobrecalentamiento. Una pérdida excesiva de voltaje reduce el rendimiento y puede causar el fallo del motor. La tabla indica el diámetro correcto del cable en función de su longitud para la DF 500 Q.

Longitud total del cable alargador (alimentación)	25	50	100	150
Dimensiones del cable (AWG)	18	16	16	14

Use sólo los alargadores U.L. y CSA que figuran en la relación. No utilice nunca dos alargadores a la vez. Se recomienda usar un solo cable largo.

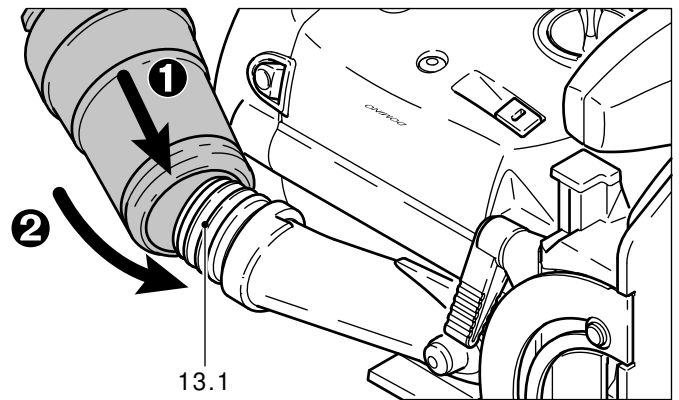
### **i** Observación:

- ▶ A menor número AWG, mayor resistencia del cable.

## Aspiración del polvo

La máquina Domino ha sido diseñada para que se utilice con un sistema de aspiración de polvo. Si utiliza la máquina sin acoplar un aspirador de polvo, las partículas de madera pueden atascarla.

Al instalar un tubo flexible de aspiración de polvo Festool en el orificio [13.1] de la máquina, le resultará más fácil si lo inserta formando un ángulo y, a continuación, lo ajusta presionándolo según se muestra a la derecha.



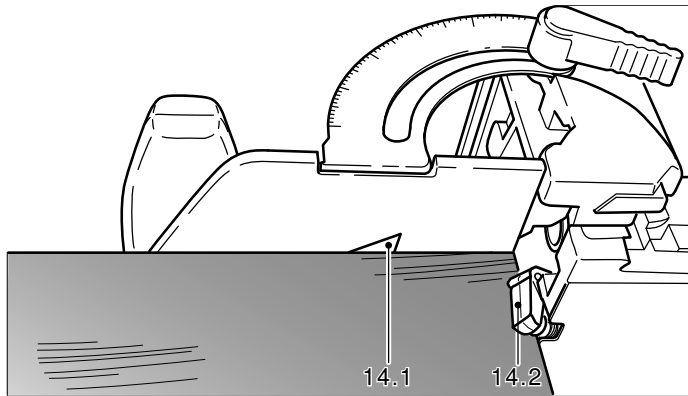
### **i** Observación:

- ▶ Si dispone de un sistema de aspiración de otro tipo y el conducto flexible no encaja en el orificio de aspiración de polvo, los tubos flexibles Festool se pueden adaptar a muchas otras marcas de aspiradores.

## Utilización de los trinquetes de tope

Los trinquetes de tope situados en la parte frontal de la fresadora se utilizan para apoyar la herramienta contra el borde de la pieza de trabajo. De este modo se obtiene una colocación rápida y precisa de la pieza de trabajo.

- Cuando el trinquete de tope [14.2] se apoya contra el borde de la pieza de trabajo, éste será visible desde el punto de la ventana de verificación [14.1] situada en la fresadora.
- La distancia entre el trinquete de tope y el centro de la ranura de mortaja es de 37mm (1-7/16 pulgadas).

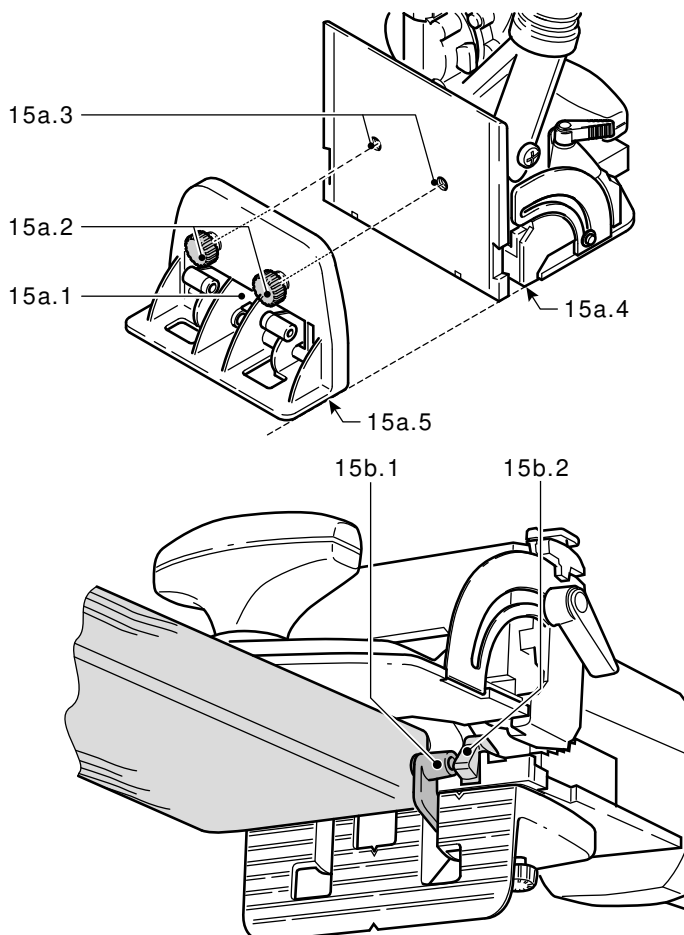


### Tope lateral con amplificación del apoyo

Mediante el tope lateral (15a.1) se puede ampliar la superficie de apoyo al fresar en los cantos de las piezas y, de este modo, el guiado de la máquina resulta más seguro.

Con los dos reductores de tope integrados (15b.1) puede reducirse de manera individual la distancia hasta el centro del agujero de fresado de 37 mm a 20 mm. De esta forma, puede fijarse el taco cerca de los bordes.

- Fije el tope lateral a los orificios roscados (15a.3) del bastidor de guía con los dos tornillos (15a.2), de modo que las superficies de apoyo del soporte (15a.5) y de la mesa (15a.4) queden totalmente planas.



- Para reducir la distancia, incline uno de los reductores de tope (15b.1) hacia fuera (véase la figura 15b). Este se orienta automáticamente hacia el trinquete de tope (15b.2).

## Funcionamiento de la máquina

### Descripción general, observaciones y recomendaciones

La madera es un material natural heterogéneo. Por consiguiente, durante su tratamiento se puede producir cierta alteración de las dimensiones, aún cuando la máquina esté ajustada con exactitud. La precisión del trabajo también puede verse afectada por el manejo de la máquina (p. ej. velocidad de avance). Por otra parte, las dimensiones de las piezas DOMINO fabricadas en madera pueden asimismo variar en función del lugar de almacenamiento (p. ej. humedad). Todos estos factores hacen difícil mantener las dimensiones originales de los orificios y ensamblajes de tacos.

Numerosos ensayos han demostrado esta alteración de las dimensiones. Por ello, la máquina y las dimensiones de los tacos DOMINO se han ajustado en base a estos cálculos. No obstante, si se produce una desviación en los laterales de aprox. 0,03 mm - 0,04 mm al ensamblar dos piezas de trabajo, tiene la opción de sustituir los trinquetes de tope montados de fábrica (2.8) por trinquetes de tope con las dimensiones correctas. Estos trinquetes, unos 0,15 mm más estrechos, reducen esta distancia lateral de los orificios con respecto al borde de la pieza de trabajo (véase el capítulo "Cambio de los trinquetes de tope").

### Preparativos

Antes de empezar a trabajar en la pieza definitiva, se recomienda optimizar el ajuste de la profundidad, la anchura y el diámetro de los orificios para las espigas utilizando una pieza de prueba.

Debido a que el sistema Domino es una variante de la mortaja clásica y del ensamblado de espiga, se deberán seguir prácticamente las mismas directrices. A continuación encontrará las directrices principales para ayudarle a decidir las opciones que le convengan:

- Si la resistencia de la pieza de trabajo que tenga que utilizar es similar a la de la espiga Domino (p. ej., madera dura en general), el grosor de la espiga Domino deberá tener aproximadamente  $\frac{1}{3}$  del grosor de la pieza de trabajo.

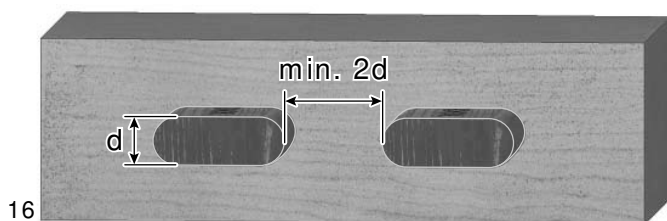
- Es posible utilizar una espiga que sea un poco más gruesa que  $1/3$  si la anchura de la espiga Domino es relativamente menor en comparación con la anchura del ensamblado. Por este motivo, las espigas Domino de 8 mm son las más habituales para ensamblar piezas de madera de 0,85 mm ( $3/4$  pulgadas).
- Para maderas más blandas, como el pino, el ensamblado será más resistente si la espiga utilizada es de 0,85 mm o un poco menos.
- Para madera contrachapada, especialmente para contrachapado de construcción de baja calidad, la espiga Domino es mucho más resistente que la madera que la rodea y, por tanto, resulta más adecuado aumentar la resistencia del sustrato disminuyendo el grosor de la espiga.

### Instrucciones para la colocación de las espigas Domino

No existen normas definitivas sobre donde debe colocarse una espiga, especialmente cuando se utilizan con finalidades de alineación. Para tablas de ensamblado por el borde, una colocación típica puede ser a una distancia de 15 a 20 cm.

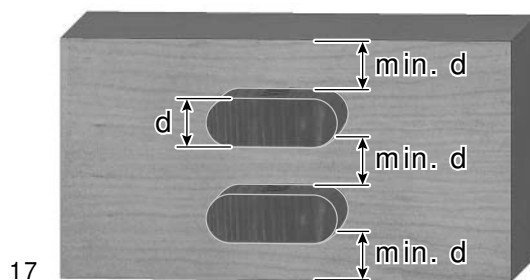
No obstante, si las espigas se utilizan para reforzar un ensamblado, la tendencia es colocarlos demasiado juntos. De este modo sólo se consigue debilitar el ensamblado, ya que se elimina demasiado material del sustrato.

- Una mortaja demasiado ancha debilita el sustrato y, por tanto, es preferible disponer de varias mortajas estrechas con espacio sin cortar entre ellas en lugar de disponer de una sola mortaja ancha con varias espigas una al lado de la otra.
- Cuando coloque varias espigas juntas, deje como mínimo dos veces el grosor de la espiga entre los orificios de la mortaja. Como norma general, esto significa que la separación mínima entre dos espigas debe ser de 10 mm a 20 mm, aunque se puede dejar mucho más espacio entre ellas.



16

- Cuando efectúe ensamblados sobrepuestos utilizando madera muy gruesa, es recomendable seguir la "regla del  $1/3$ " antes mencionada. En concreto, la distancia entre dos mortajas y la distancia entre la mortaja y la superficie de la madera debería ser siempre igual a (o mayor) que el grosor de la espiga.

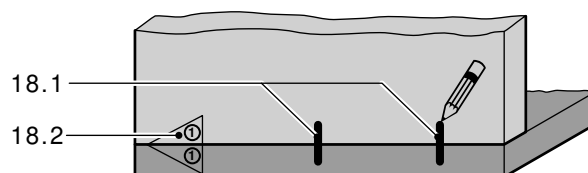


17

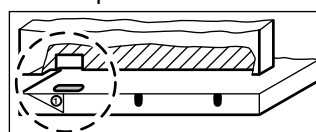
### Ensamble - Procedimiento

Proceda como se describe a continuación para efectuar un ensamblado con tacos:

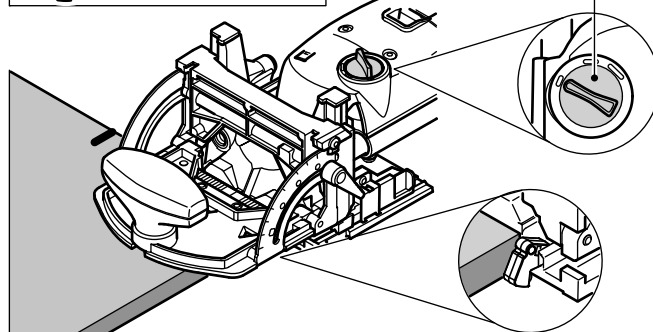
- Elija un taco Domino y coloque la fresa adecuada en la ensambladora Domino.
- Establezca la profundidad de ensamblado. Para que la unión resista, la profundidad de fresado debe ser como mínimo 3 mm inferior a la del espesor de la pieza de trabajo.
- Ajuste la altura de ensamblado al grosor correspondiente de la pieza de trabajo usada.



- Marque las zonas de la pieza de trabajo que van juntas [18.1] para asegurarse de que podrá volver a montarlas correctamente después de haber fresado los orificios para los tacos.
- Sitúe una pieza de trabajo contra la otra y marque las posiciones de los tacos con un lápiz [18.2].

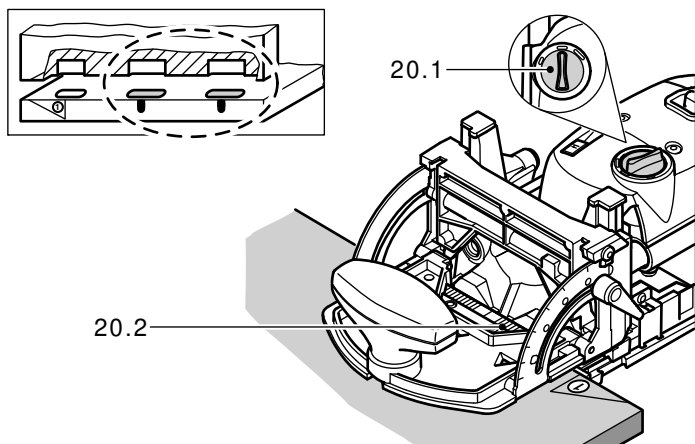


19.1



- Ajuste la anchura deseada del orificio del taco [19.1].

Se recomienda fresar el primer agujero sin juego (anchura del orificio para tacos = anchura de los tacos Domino) y continuar con la siguiente anchura disponible. De este modo, el primer orificio sirve como medida de referencia, mientras que el resto permitirán cierta tolerancia en caso de imprecisiones en el trabajo.



- Efectúe el primer orificio del taco colocando el tope junto al borde de la pieza de trabajo.
- Ajuste en el disco la anchura de mortaja [20.1] en la anchura superior de orificio del taco siguiente.
- Corte los orificios para tacos haciéndolos coincidir con las marcas efectuadas previamente con un lápiz y según la escala de la ventana de visualización [20.2].

## Mantenimiento

**⚠ ADVERTENCIA** Para evitar lesiones y descargas eléctricas, desconecte siempre la herramienta de la toma de corriente antes de proceder a efectuar el mantenimiento de la herramienta o repararla.

**⚠ ADVERTENCIA** El mantenimiento o las reparaciones que precisen la abertura del motor o de la caja de engranaje deberá efectuarlo exclusivamente un centro autorizado de atención al cliente (acuda a su proveedor para obtener información sobre la situación de un centro autorizado). El mantenimiento o las reparaciones que hayan sido efectuados por personal no autorizado pueden comportar la conexión defectuosa del cableado eléctrico, desajustes del funcionamiento o daños a los componentes y pueden ser causa de lesiones.

**⚠ PRECAUCIÓN** No utilice aire comprimido para limpiar el alojamiento del motor, ya que se pueden introducir inadvertidamente objetos extraños en el motor a través de las ranuras de ventilación. Se puede utilizar aire comprimido a baja presión (30 psi) para los otros componentes, pero empleando siempre los elementos de protección personal adecuados (para oídos, ojos y vías respiratorias).

**⚠ PRECAUCIÓN** Algunos productos de limpieza y disolventes resultan perjudiciales para las piezas de plástico. Algunos de ellos incluyen, entre otros, gasolina, acetona, metiletilacetona (MEK) y oxocloruro de carbono. Los productos de limpieza normalmente contienen cloro y amoníaco y los productos de limpieza del hogar contienen amoníaco.

La herramienta dispone de un motor de escobillas especial con desconexión automática. Si las escobillas se desgastan, se desconecta automáticamente de la red de alimentación y pasa a estado de reposo.

### Tareas periódicas de mantenimiento

La fresadora de espigas Domino no requiere gran cantidad de tareas periódicas de mantenimiento, pero sí de limpieza. Para obtener un buen rendimiento y una vida útil larga, se recomienda mantener limpia la máquina.

- Para garantizar el enfriamiento de la herramienta y el motor, se deberá procurar que las aberturas de refrigeración situadas en el alojamiento del motor estén siempre limpias y despejadas. Mantenga limpios de serrín los orificios de entrada situados en la parte posterior de la empuñadura.
- Mantenga limpias de serrín las guías lineales.
- Cuando utilice una fresadora de espigas Domino, emplee siempre un dispositivo de recogida de polvo.
- Inspeccione regularmente la broca para escopear a fin de detectar posibles daños, desgaste o agarrotamiento. Afile y sustituya la broca cuando sea necesario.
- No intente afilar la broca. La broca debe ser afilada exclusivamente por un servicio de afilado autorizado.
- Para obtener buenos resultados, sólo debe afilarse la punta de la broca, no los laterales.
- Antes de sustituir la broca, la cantidad máxima recomendada de material eliminado de la punta mediante afilado es de 1 mm aproximadamente. Una cantidad mayor provocaría que la broca fuera demasiado corta para ajustar adecuadamente las espigas.

### Limpieza y mantenimiento

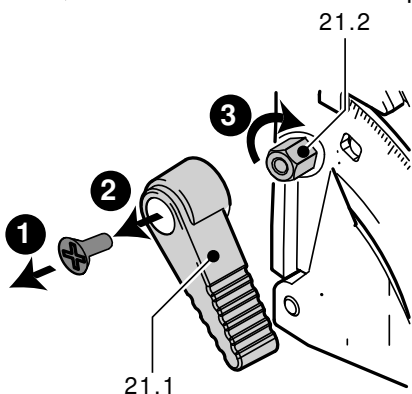
- Aplique aire comprimido a baja presión en el exterior de la máquina a fin de eliminar restos de serrín, pero no aplique aire directamente en los orificios de ventilación situados en la parte posterior del motor, ya que se podrían introducir en el mismo.
- Aplique aire para eliminar el serrín acumulado en la zona de la broca.
- No retire el cuerpo de la fresadora del alojamiento del motor cuando la fresadora de espigas esté cubierta de serrín.
- Con la parte exterior de la fresadora de espigas limpia de serrín, retire el cuerpo de la fresado-

ra del alojamiento del motor y limpie las guías lineales:

- Para ello, utilice un trapo suave de algodón.
  - Elimine los restos de polvo del interior de los orificios lineales aplicando aire comprimido.
  - Pase un trapo suave de algodón por el interior de los cojinetes lineales de bronce.
- Con un trapo limpio de algodón (no el mismo que usó antes), aplique una capa de aceite ligero para maquinaria a las guías lineales.
- Utilice aceite ligero para maquinaria del tipo destinado a máquinas de coser o herramientas neumáticas.
  - No utilice aceites penetrantes, ya que contienen disolventes y detergentes capaces de eliminar el lubricante con que están impregnados los cojinetes de bronce.
  - No utilice fluidos o aceites para eliminar óxido, ya que sus propiedades lubricadoras son limitadas y también podrían eliminar el lubricante con el que están impregnados los cojinetes de bronce.
- Con la profundidad de ranurado al máximo, introduzca el lubricante en la fresadora de espigas varias veces seguidas para extenderlo sobre los cojinetes interiores de bronce.
- Retire el cuerpo de la fresadora del alojamiento del motor y limpie el exceso de aceite de las guías lineales.
- Vuelva a colocar el cuerpo de la fresadora en el alojamiento del motor.
- No guarde la fresadora de espigas con el cuerpo de la fresadora separado del alojamiento del motor, ya que podría introducirse polvo y residuos en las guías lineales.

### Fijar la palanca de apriete

- Retire la palanca de apriete [21.1] tal como se describe en [Fig. 21], pasos 1 y 2.
- Apriete un poco más el tornillo de cabeza hexagonal [21.2], como se describe en el paso 3.



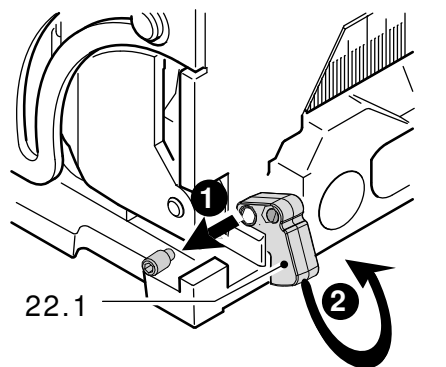
- Coloque la palanca de apriete sobre el tornillo de cabeza hexagonal y fíjela mediante el tornillo de ranura en cruz.

### Cambio de los trinquetes de tope

Para obtener una mortaja debidamente alineada, es importante que los dos trinquetes de tope estén debidamente separados del centro del orificio de mortaja.

Si la situación de las espigas Domino, obtenida con los trinquetes de tope derecho e izquierdo, no coincide exactamente (distancia diferente al borde de la pieza de trabajo), deberá cambiar los trinquetes de tope:

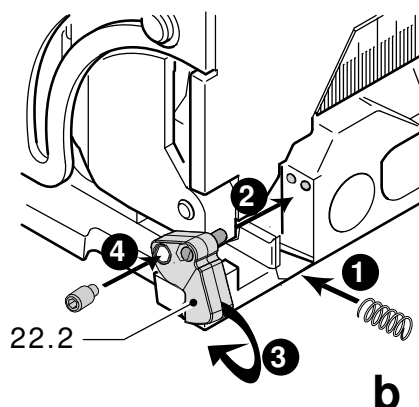
En la dotación de suministro se incluyen trinquetes de tope para realizar ajustes muy finos.



a

**Retire uno de los trinquetes de tope montados en ambos lados de la fresadora de tacos [Fig. 22a]:**

- Paso 1: Suelte los tornillos de cabeza hexagonal interior.
- Paso 2: Oscile el trinquete de tope hacia arriba y extraígalo hacia fuera por el lateral.



b

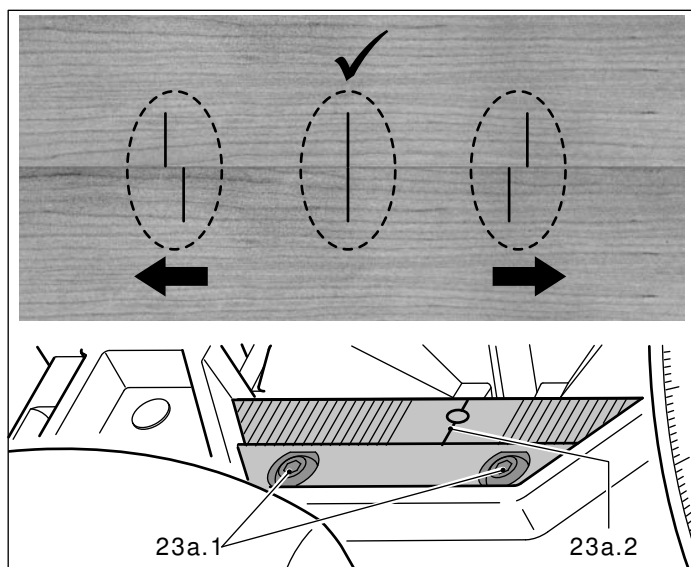
**Monte un trinquete de tope suministrados en un lateral [Fig. 22b]:**

- Paso 1: Coloque el muelle.
- Paso 2: Introduzca el trinquete de tope en la fresadora de tacos.

- Paso 3: Oscile el trinquete de tope hacia abajo de forma que la pequeña semiesfera quede enclavada en el muelle.
- Paso 4: Coloque los tornillos de cabeza hexagonal interior, fijando con ello el trinquete de tope.

## Calibración del indicador de posición horizontal

El indicador de posición horizontal (llamado también indicador de mirilla) se utiliza para alinear las espigas Domino con las marcas de lápiz realizadas en las piezas de trabajo. Si el indicador no está perfectamente centrado sobre la ranura de mortaja, las dos piezas de trabajo no se alinearán cuando se monte el ensamblaje.



- Tome dos trozos de madera para desechar y sobre cada una de las piezas trace una línea fina donde desee colocar la espiga.
- Coloque la anchura de la ranura de mortaja en el ajuste más estrecho (véase "Ajuste de la anchura de mortaja").
- Alineando la línea central [23a.2] del indicador de mirilla con la marca de lápiz, practique una ranura de mortaja en cada trozo de madera.
- Una las dos piezas de madera sin usar cola y examine la alineación inicial con las líneas hechas con el lápiz.
- Si la alineación de las líneas no es correcta, afloje los dos tornillos [23a.1] del indicador de mirilla y deslice el indicador lateralmente según se indica en la imagen superior.

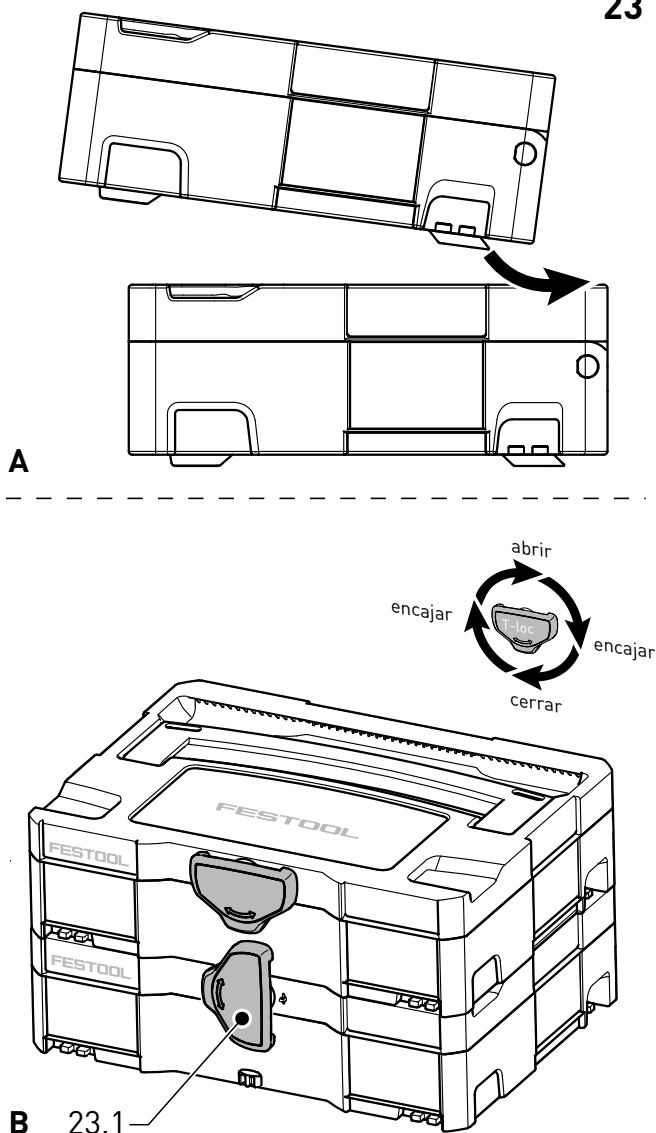
## Accesorios, herramientas

**⚠ ADVERTENCIA** Para su seguridad, utilice exclusivamente accesorios y piezas de recambio de Festool.



El número de pedido de los accesorios y las herramientas figura en el catálogo Festool o en Internet en [www.festoolusa.com](http://www.festoolusa.com).

## Systainer

23

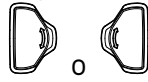


Muchos de los productos Festool se entregan en un embalaje exclusivo denominado "Systainer" que sirve de protección a la herramienta y sus complementos, además de facilitar su almacenamiento. Los Systainer pueden apilarse y encajan unos con otros. Además se adaptan sin problema a cualquier aparato de aspiración CT de Festool.

- Para abrir el Systainer:
  - Gire el T-loc [23.1] a la posición .
- Para cerrar el Systainer:
  - Gire el T-loc [23.1] a la posición .

– Para encajar dos Systainer:

- Ponga el Systainer sobre un otro (Fig. 23 A).
- Gire el T-loc [23.1] a la posición (Fig. 23 B).

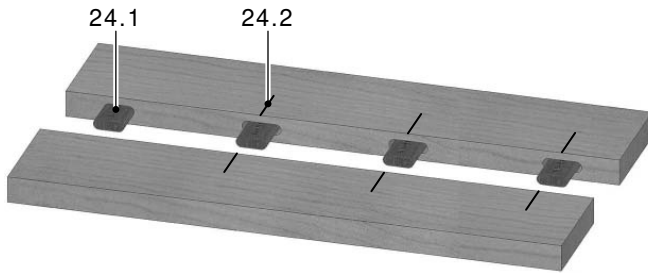


Los Systainers están encajados y cerrados.

- ▶ Un Systainer de la nueva generación es encajable encima de un Systainer de la generación anterior con los cuatro enganches del Systainer anterior.

## Aplicaciones

### Ensamble de bordes de tablas



El ensamble de bordes de tablas es un método habitual para obtener tablas de grandes dimensiones a partir de un conjunto de tablas de menor tamaño. Las espigas Domino aumentan la resistencia del ensamble y también contribuyen a alinear adecuadamente las tablas.

Para ensamblar bordes de tablas, se coloca un conjunto de espigas a lo largo del ensamble. La primera espiga [24.1] se utiliza para unir las dos tablas horizontalmente y, por tanto, el fresado se efectúa con una anchura estándar. Las espigas restantes alinean las tablas a nivel y se pueden fresar utilizando una anchura de mayores dimensiones.

#### **i** Recomendaciones para efectuar un buen ensamble

- ▶ Utilice los pernos de situación [2.8] para efectuar la primera ranura de mortaja con el disco de anchura de mortaja situado en el ajuste inferior.
- ▶ Para las siguientes ranuras, se puede mantener la anchura de mortaja en el ajuste inferior, pero resulta más fácil ajustar el disco de anchura de mortaja al siguiente ajuste de mayor tamaño.
- ▶ Para ensambles normales, coloque las ranuras de mortaja con unos 15-30 cm de separación, aunque esta separación puede disminuir cuando se ensambla contrachapado o cuando se requiere un ensamble más resistente.
- ▶ En lugar de marcar la situación de las mortajas con un lápiz [24.2], se pueden usar las guías de puntal opcionales para distanciar uniformemente las mortajas a lo largo de las tablas. Para ello, utilice el perno de situación del puntal en la mortaja anterior.

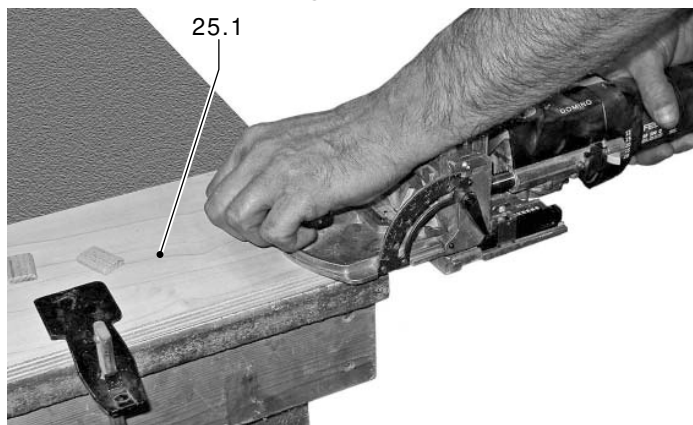
### Fabricación de ensambles de caja y espiga

Los ensambles de caja y espiga se usan generalmente en la fabricación de cajones o cajas. Las espigas Domino refuerzan el ensamble sin que se precise ningún tipo de sujeción auxiliar. El ejemplo anterior se refiere a la construcción de cajones, pero las mismas técnicas se aplican a otros tipos de construcción de cajas.

#### **i** Recomendaciones para la construcción

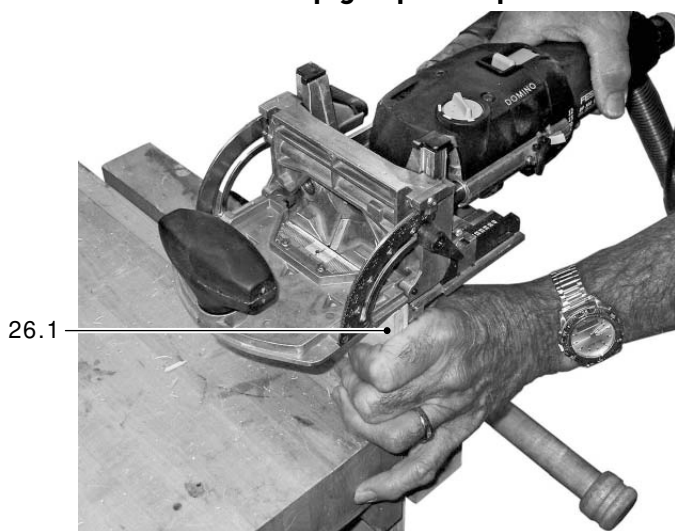
- ▶ Para construir cajones con la parte frontal separada, la parte anterior y posterior del cajón tienen que ser cautivas, como se muestra más abajo.
  - ▶ La parte frontal del cajón se coloca sobre la caja del cajón una vez que se ha efectuado el montaje.
  - ▶ Así se refuerza la resistencia del cajón, ya que las espigas son perpendiculares al movimiento de abrir y cerrar el cajón.
  - ▶ Los extremos de las planchas laterales quedan ocultos por el frontal separado del cajón.
- ▶ Para construir cajones sin la parte frontal separada, los costados tienen que ser cautivos y la parte anterior y posterior libres (al contrario que la imagen siguiente).
- ▶ Para la construcción de armazones de armarios, la parte superior e inferior del armazón debe ser cautiva (véase también "Construcción de uniones de tope para armazones").

### Mecanización de espigas para lateral cautivo



- Elija una espiga Domino cuyo tamaño sea inferior o igual a 1/3 del grosor de la tabla.
- Ajuste la altura de la fresadora de modo que las espigas Domino estén situadas en el centro del grosor de la tabla.
- Establezca la profundidad de la mortaja.
- ▶ Observe que si sus piezas de trabajo son delgadas, va a necesitar desplazar la espiga del centro.
- Asegure las tablas cautivas [25.1] sobre el banco de trabajo.
- Alinee la posición de la espiga utilizando los pernos de situación [2.8].
- Sujete la fresadora de espigas Domino por el mango auxiliar con firmeza mientras la baja hacia la pieza de trabajo y hunda despacio el cortador en el borde de la pieza de trabajo.

### Mecanización de las espigas para tapas

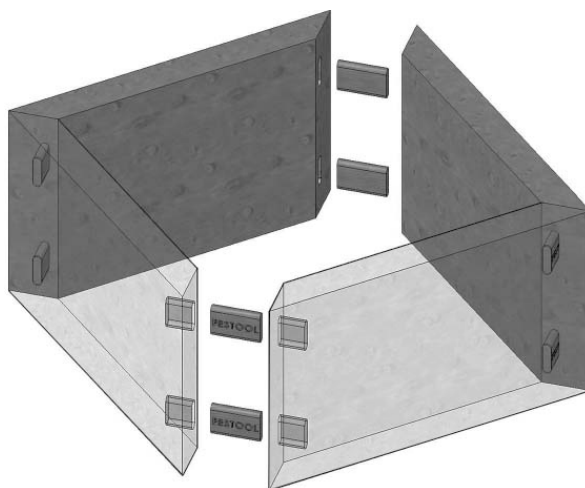


- No cambie la altura de la fresadora utilizada en la operación anterior. Le será de utilidad para marcar la colocación de la mortaja en el borde de la tabla.
- Instale la base de apoyo.
- Si fuera necesario, cambie el ajuste de la profundidad de la mortaja.

- Asegure la pieza de trabajo [26.1] en posición vertical.
- Hunda lentamente el cortador en la pieza de trabajo.

**⚠ ADVERTENCIA** Mantenga las manos alejadas del cortador.

### Fabricación de ensamblajes a inglete



27

En general, los ensamblajes a inglete acostumbran a ser bastante débiles debido a que el ensamblaje es principalmente de madera a madera cortada a contrafibra. Las espigas incrementan considerablemente la resistencia del ensamblaje y facilitan el montaje y la sujeción de las piezas.

### ⓘ Recomendaciones para la construcción

- ▶ Para materiales más delgados, mantenga la mortaja cerca de la esquina interior. De este modo reducirá las posibilidades de perforar por completo la pieza de trabajo.
- ▶ Para materiales más gruesos, se pueden utilizar mortajas apiladas como muestra la imagen 28.

### Ajuste y mecanización



28

- Inclíne la fresadora en el ángulo adecuado.
- Baje la fresadora a la altura deseada. Observe que la mortaja debe estar situada cerca de la



esquina interior para evitar que penetre en la madera.

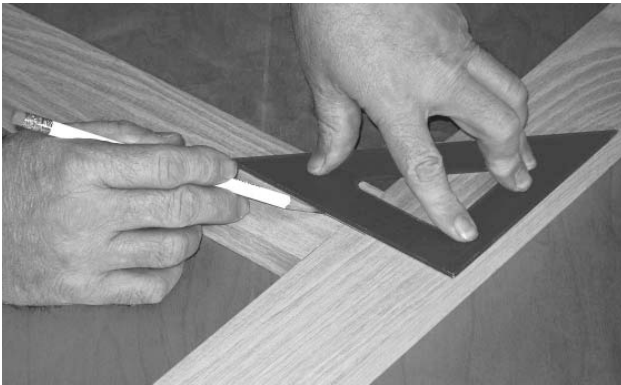
### **i** Recomendación:

- ▶ Antes de efectuar el ranurado, compruebe los ajustes de profundidad para asegurarse de que no va a atravesar el material.
- Sujete la fresadora por el mango auxiliar para un mayor control. Baje la herramienta.

## Fabricación de ensam- bles para marcos

Se pueden utilizar espigas Domino para fabricar con rapidez marcos reforzados de todo tipo.

### Ensamblados a media madera

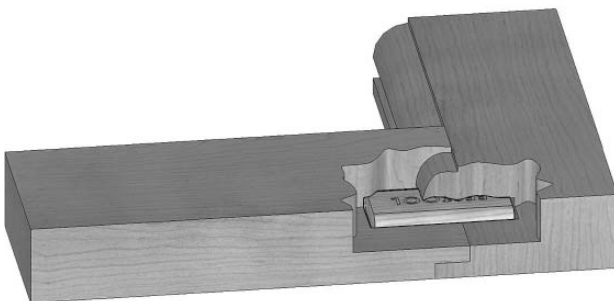


29

Cuando haga ensamblados a media madera, como armazones frontales de armarios, marque con un lápiz la posición de las espigas. Utilice el indicador de mirilla en la parte frontal de la fresadora [2.5] para situarla sobre la línea dibujada a lápiz.

Para marcos delgados, se utiliza como accesorio opcional una fresadora de marco estrecho.

### Marcos de largueros y travesaños



30

Las espigas Domino se pueden utilizar también para reforzar marcos de largueros y travesaños. Se utilizan habitualmente en avellanados de marcos para puertas.

Conviene observar que ya que las dos piezas del marco se superponen, la profundidad de la mortaja se debe aumentar. La mortaja se tiene que alargar una distancia igual a la mitad de la cantidad correspondiente a la superposición.

Por ejemplo: una broca típica para fresar largueros y travesaños tiene una anchura de perfil (sobrepuesto) de unos 10 mm. Para una espiga de 40 mm de longitud, en lugar de introducirla a 20 mm de profundidad, es necesario hacerlo a 25 mm en ambas piezas de trabajo.

### Marcos con ensamble a inglete

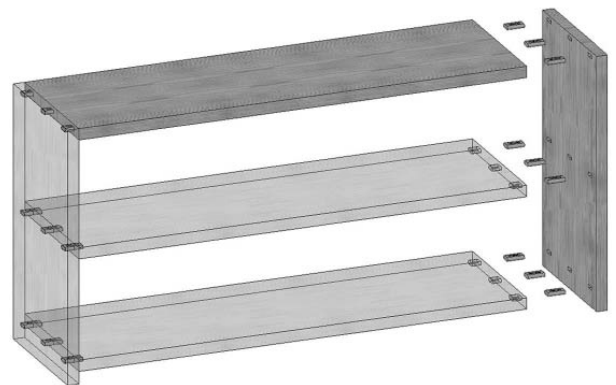
Cuando prepare marcos con ensamble a inglete, coloque la espiga cerca de la esquina interior. De este modo reducirá la posibilidad de cortar la mortaja atravesando la pieza de trabajo.



31

Cuando efectúe un ensamble a inglete, asegúrese de fijar adecuadamente la pieza de trabajo al banco.

## Fabricación de ensamblados a me- dia madera para armazones

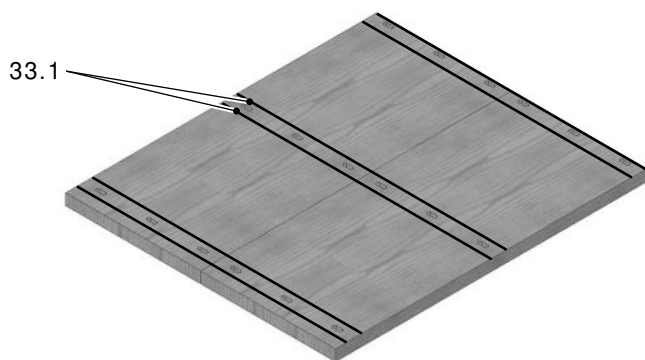


32

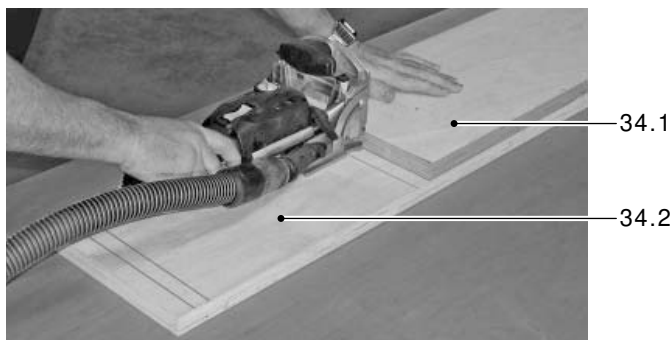
La utilización de ensamblados a media madera con espigas es un método muy práctico para fabricar armazones de armario. Las espigas constituyen un apoyo resistente para cada una de las particiones horizontales de un armario.

La sencillez de este método se basa en que se utilizan los elementos del armazón para alinear la fresadora de espigas.

## Ajuste y mecanización



- Coloque las piezas verticales en el banco de trabajo y marque ambas piezas con una línea [33.1] para señalar donde van a ir colocados los estantes. Observe que es más fácil evitar futuros errores si se dibujan líneas dobles, una por encima del estante y otra por debajo.
- Como referencia, marque la cara y el revés de cada estante. Esto se debe a que el ensamblaje a derecha e izquierda se marca en la misma cara de cada estante.

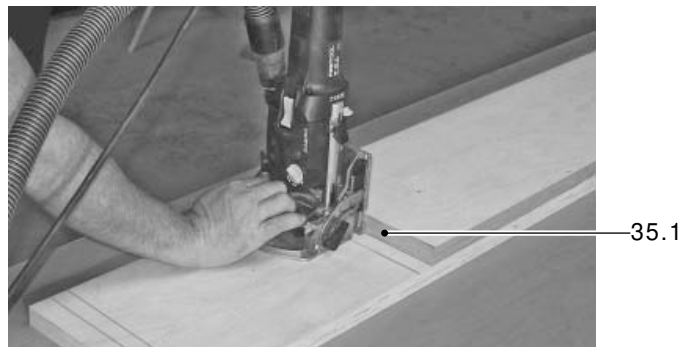


- Trabaje primero un estante, descansando el estante horizontal [34.1] sobre el panel vertical [34.2] de forma que los bordes se alineen con la línea externa marcada a lápiz para cada punto donde debe ir colocado el estante.

### **i** Recomendación:

Coloque el estante vertical en el panel lateral y en la posición en que se asegurará (entre las líneas dobles hechas a lápiz) y con cuidado ponga plano el estante en la posición que se muestra en la imagen 34. Para obtener mayor resistencia, mantenga las espigas cerca de la cara inferior del estante:

- ▶ Si el grosor de los estantes sobrepasa los 20 mm, bájelo inclinando la cara superior hacia arriba.
- ▶ Si el grosor de los estantes sobrepasa los 20 mm, bájelo inclinando la cara inferior hacia arriba.
- Asegure las dos piezas juntas para evitar que se muevan.
- Con la base Domino descansando en la cara del panel lateral, hunda la fresadora en el borde del estante. No utilice la fresadora para establecer la altura.



- Con la fresadora de pie y con la base apoyada en el borde del estante [35.1], húnjala en el panel lateral del armario.
- Repita el proceso en cada estante.
- Cuando repita el proceso en el otro panel lateral, asegúrese de que la misma cara del estante esté hacia arriba.

## Recomendaciones sobre el encolado

Existen diversas maneras de aplicar cola a los ensamblajes, no obstante, el modo en que se aplica puede repercutir en la calidad del ensamblaje o en la facilidad de montaje.

- ▶ En montajes complejos que requieran tiempo, aplique una cantidad generosa de cola a las piezas de trabajo. Cuanto más gruesa sea la capa de cola, más tardará en desprenderse. El exceso de cola se deberá eliminar una vez finalizado el trabajo.
- ▶ Aplique cola a la cara de la pieza de trabajo y a las ranuras de mortaja antes de insertar las espigas en las mismas.
- ▶ Cuando aplique cola en las espigas, puede aplicar cola en el interior de las ranuras o extender una capa ligera sobre las espigas Domino. Para aplicaciones donde las espigas constituyen la estructura básica que sostiene el conjunto, deberá aplicar la cola en la espiga. Las espigas Domino disponen de pequeñas cavidades [36.1] y protuberancias [36.2] que retienen la cola cuando la espiga se introduce en la ranura de la mortaja.



## Localización y resolución de problemas

Síntoma	Causa probable y corrección
El motor no arranca	<ul style="list-style-type: none"> <li>▶ Compruebe que el cable esté debidamente enchufado a una toma de corriente.</li> <li>▶ Asegúrese de que el conector plug it está debidamente insertado y ajustado.</li> <li>▶ Asegúrese de que la toma recibe corriente. Compruebe el disyuntor del circuito o pruebe con otra toma.</li> <li>▶ Si utiliza un aspirador de polvo Festool, asegúrese de que el interruptor selector esté situado en "Auto". La salida auxiliar del aspirador de polvo sólo recibe energía cuando el selector está situado en Auto.</li> <li>▶ Compruebe que el cable de alimentación (y los de prolongación) no presente daños y que al enchufe le no falten clavijas.</li> <li>▶ Las escobillas del motor se han desgastado y se deben sustituir.</li> </ul>
El motor no arranca	<ul style="list-style-type: none"> <li>▶ Compruebe que el cable esté debidamente enchufado a una toma de corriente.</li> <li>▶ Asegúrese de que el conector plug it está debidamente insertado y ajustado.</li> <li>▶ Asegúrese de que la toma recibe corriente. Compruebe el disyuntor del circuito o pruebe con otra toma.</li> <li>▶ Si utiliza un aspirador de polvo Festool, asegúrese de que el interruptor selector esté situado en "Auto". La salida auxiliar del aspirador de polvo sólo recibe energía cuando el selector está situado en Auto.</li> <li>▶ Compruebe que el cable de alimentación (y los de prolongación) no presente daños y que al enchufe le no falten clavijas.</li> <li>▶ Las escobillas del motor se han desgastado y se deben sustituir.</li> </ul>
El ranurado es irregular	<ul style="list-style-type: none"> <li>▶ Limpie las guías lineales y los cojinetes de bronce de ranurado y asegúrese de que estén debidamente lubricados.</li> <li>▶ Compruebe que los cojinetes lineales de bronce no presentan daños. La introducción inadecuada del cuerpo de la fresadora en el alojamiento del motor puede dañar los cojinetes lineales.</li> </ul>
Las espigas Domino están flojas	<ul style="list-style-type: none"> <li>▶ Asegúrese de que sostiene con firmeza la fresadora de espigas Domino mientras realiza la ranura de mortaja.</li> <li>▶ Asegúrese de que el ajuste de la anchura de mortaja es correcta.</li> <li>▶ Asegúrese de estar usando la broca para espolear adecuada para el tamaño de la espiga Domino.</li> <li>▶ Las espigas Domino pueden haberse encogido si el ambiente es excesivamente seco o cálido. Se trata del movimiento natural de la madera.</li> <li>▶ Compruebe la broca para espolear para asegurarse de que no esté torcida. Con una broca torcida obtendría una ranura excesivamente grande y honda.</li> </ul>
Las espigas Domino están demasiado apretadas	<ul style="list-style-type: none"> <li>▶ La causa más habitual es que las espigas que se almacenan en ambientes húmedos se hinchan debido a la absorción de humedad. Guarde las espigas en un ambiente seco y fresco.</li> <li>▶ La broca se ha afilado de manera defectuosa o se ha afilado demasiadas veces. Sustituya la broca.</li> </ul>

<b>Síntoma</b>	<b>Causa probable y corrección</b>
Los ensambles de las piezas de trabajo no están alineados horizontalmente	<ul style="list-style-type: none"> <li>▶ Asegúrese de haber asegurado debidamente las piezas de trabajo antes de efectuar el ranurado.</li> <li>▶ Compruebe la calibración de los trinquetes de tope.</li> <li>▶ Compruebe la calibración del indicador de posición horizontal (indicador de mirilla).</li> <li>▶ No introduzca la broca para espolear en la pieza con excesiva rapidez. Podría moverla mientras efectúa el ranurado.</li> <li>▶ Asegúrese de que las zapatas de freno situadas en la parte frontal de la fresadora de espigas no estén torcidas, desgastadas o se hayan perdido.</li> </ul>
Los ensambles de las piezas de trabajo no están alineados horizontalmente	<ul style="list-style-type: none"> <li>▶ Tenga cuidado de no inclinar la fresadora durante el ranurado.</li> <li>▶ Si las ranuras de mortaja se han registrado desde el fondo de la base, asegúrese de que no se haya acumulado polvo o residuos debajo de la fresadora.</li> <li>▶ Asegúrese de que la fresadora está debidamente bloqueada en el correspondiente ajuste de altura.</li> <li>▶ Inspeccione el ajuste de altura para asegurarse de que no está roto (ha resbalado).</li> </ul>
Ranuras de mortaja inclinadas o desalineadas	<ul style="list-style-type: none"> <li>▶ Asegúrese de que la fresadora está ajustada en el ángulo correcto (p. ej., 90 grados).</li> <li>▶ Asegúrese de que la fresadora de espigas Domino está sujeta firmemente a la superficie de trabajo.</li> </ul>
La pieza de trabajo no encaja (intersticios entre las piezas)	<ul style="list-style-type: none"> <li>▶ Asegúrese de que ha ajustado la profundidad de ranurado adecuada.</li> <li>▶ Asegúrese de que la fresadora de espigas se ajusta a la cara de la pieza.</li> <li>▶ La broca se ha afilado mal o se ha afilado demasiadas veces.</li> <li>▶ Puede haber polvo acumulado en el interior de la guía lineal.</li> <li>▶ Puede haber un exceso de cola en el fondo de la mortaja.</li> </ul>
Ranuras de mortaja ásperas y rugosas	<ul style="list-style-type: none"> <li>▶ Velocidad de ranurado demasiado rápida. Disminuya la potencia.</li> <li>▶ Los materiales de baja calidad y los conglomerados se desprenden con mayor facilidad que la madera sólida. Si disminuye la velocidad de ranurado mejorará los resultados, pero no eliminará por completo el problema.</li> <li>▶ Broca desgastada.</li> </ul>
Ranura de mortaja deformada. La espiga Domino sólo se introduce parcialmente dentro de la ranura	<ul style="list-style-type: none"> <li>▶ La velocidad de ranurado es demasiado rápida y la broca no puede cortar los costados adecuadamente. Disminuya la velocidad.</li> </ul>