

en	Original Instructions - Eccentric sander	3
fr	Notice d'utilisation d'origine - Ponceuse excentrique	12
es	Manual de instrucciones original - Lijadora excéntrica	22

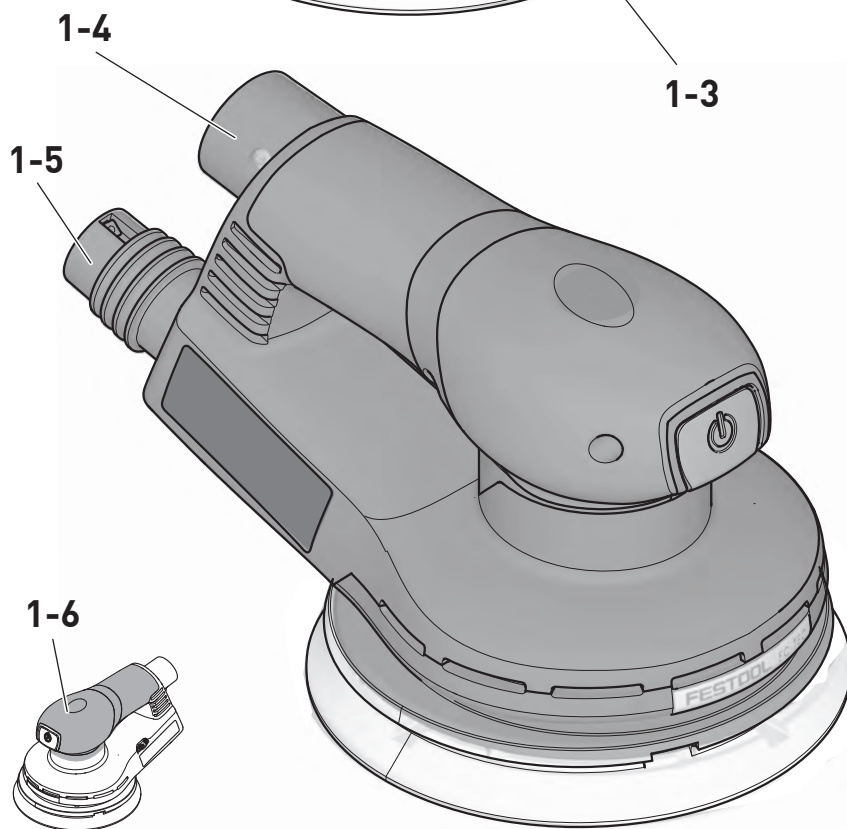
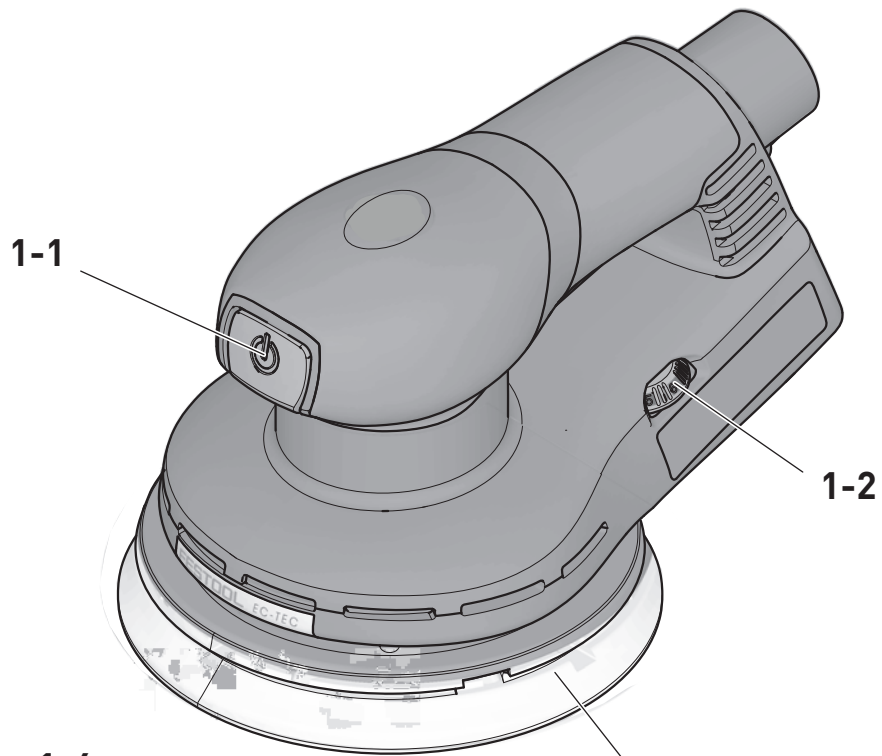


Read all instructions before using
Lire toutes les instructions avant de démarrer les travaux.
Lea y comprende todas las instrucciones antes de usar.



ETS EC 125/3 EQ








Contents

1	About this manual.....	3
2	Symbols.....	3
3	Safety warnings.....	3
4	Intended use.....	6
5	Technical data.....	6
6	Functional description.....	6
7	Operation.....	6
8	Settings.....	6
9	Working with the machine.....	8
10	Service and maintenance.....	9
11	Accessories.....	10
12	Environment.....	10
13	General information.....	11







1 About this manual








Save these instructions

It is important for you to read and understand this manual. The information it contains relates to protecting **your safety** and **preventing problems**. The symbols below are used to help you recognize this information.

	DANGER	Description of imminent hazard and failure to avoid hazard will result in death.
	WARNING	Description of hazard and possible resulting injuries or death.
	CAUTION	Description of hazard and possible resulting injuries.
	NOTICE	Description of possible damage of the device or its surroundings.


2 Symbols

	Warning of general danger
	Warning of electric shock
	Read the operating instructions and safety instructions.
	Wear ear protection.
	Wear a dust mask.
	Wear protective goggles.

	Connecting the mains power cable
	Disconnecting the mains power cable
	Safety class II
	Tool contains a chip which stores data. See section 13.1
	Tip or advice
	Handling instruction
A	Ampere
	Diameter
Hz	Hertz
"	Inch
kg	Kilogram
mm	Millimetre
lb.	Pound
min ⁻¹	Revolutions per minute

3 Safety warnings

3.1 General power tool safety warnings

 **WARNING! Read all safety warnings, instructions, illustrations and specifications provided with this power tool.** Failure to follow all instructions listed below may result in electric shock, fire and/or serious injury.

Save all warnings and instructions for future reference.

The term "power tool" in the warnings refers to your mains-operated (corded) power tool or battery-operated (cordless) power tool.

1 WORK AREA SAFETY

- Keep work area clean and well lit.** Cluttered or dark areas invite accidents.
- Do not operate power tools in explosive atmospheres, such as in the presence of flammable liquids, gases or dust.** Power tools create sparks which may ignite the dust or fumes.
- Keep children and bystanders away while operating a power tool.** Distractions can cause you to lose control.

2 ELECTRICAL SAFETY

- Power tool plugs must match the outlet. Never modify the plug in any way. Do not use any adapter plugs with earthed**

- (grounded) power tools.** Unmodified plugs and matching outlets will reduce risk of electric shock.
- b. **Avoid body contact with earthed or grounded surfaces, such as pipes, radiators, ranges and refrigerators.** There is an increased risk of electric shock if your body is earthed or grounded.
 - c. **Do not expose power tools to rain or wet conditions.** Water entering a power tool will increase the risk of electric shock.
 - d. **Do not abuse the cord. Never use the cord for carrying, pulling or unplugging the power tool. Keep cord away from heat, oil, sharp edges or moving parts.** Damaged or entangled cords increase the risk of electric shock.
 - e. **When operating a power tool outdoors, use an extension cord suitable for outdoor use.** Use of a cord suitable for outdoor use reduces the risk of electric shock.
 - f. **If operating a power tool in a damp location is unavoidable, use a residual current device (RCD) protected supply.** Use of an RCD reduces the risk of electric shock.

3 PERSONAL SAFETY

- a. **Stay alert, watch what you are doing and use common sense when operating a power tool. Do not use a power tool while you are tired or under the influence of drugs, alcohol or medication.** A moment of inattention while operating power tools may result in serious personal injury.
- b. **Use personal protective equipment. Always wear eye protection.** Protective equipment such as a dust mask, non-skid safety shoes, hard hat or hearing protection used for appropriate conditions will reduce personal injuries.
- c. **Prevent unintentional starting. Ensure the switch is in the off-position before connecting to power source and/or battery pack, picking up or carrying the tool.** Carrying power tools with your finger on the switch or energising power tools that have the switch on invites accidents.
- d. **Remove any adjusting key or wrench before turning the power tool on.** A wrench or a key left attached to a rotating part of the power tool may result in personal injury.
- e. **Do not overreach. Keep proper footing and balance at all times.** This enables better

control of the power tool in unexpected situations.

- f. **Dress properly. Do not wear loose clothing or jewellery. Keep your hair and clothing away from moving parts.** Loose clothes, jewellery or long hair can be caught in moving parts.
- g. **If devices are provided for the connection of dust extraction and collection facilities, ensure these are connected and properly used.** Use of dust collection can reduce dust-related hazards.
- h. **Do not let familiarity gained from frequent use of tools allow you to become complacent and ignore tool safety principles.** A careless action can cause severe injury within a fraction of a second.

4 POWER TOOL USE AND CARE

- a. **Do not force the power tool. Use the correct power tool for your application.** The correct power tool will do the job better and safer at the rate for which it was designed.
- b. **Do not use the power tool if the switch does not turn it on and off.** Any power tool that cannot be controlled with the switch is dangerous and must be repaired.
- c. **Disconnect the plug from the power source and/or remove the battery pack, if detachable, from the power tool before making any adjustments, changing accessories, or storing power tools.** Such preventive safety measures reduce the risk of starting the power tool accidentally.
- d. **Store idle power tools out of the reach of children and do not allow persons unfamiliar with the power tool or these instructions to operate the power tool.** Power tools are dangerous in the hands of untrained users.
- e. **Maintain power tools and accessories. Check for misalignment or binding of moving parts, breakage of parts and any other condition that may affect the power tool's operation. If damaged, have the power tool repaired before use.** Many accidents are caused by poorly maintained power tools.
- f. **Keep cutting tools sharp and clean.** Properly maintained cutting tools with sharp cutting edges are less likely to bind and are easier to control.
- g. **Use the power tool, accessories and tool bits etc. in accordance with these instructions, taking into account the working con-**

ditions and the work to be performed. Use of the power tool for operations different from those intended could result in a hazardous situation.

- h. **Keep handles and grasping surfaces dry, clean and free from oil and grease.** Slippery handles and grasping surfaces do not allow for safe handling and control of the tool in unexpected situations.

5 SERVICE

- a. **Have your power tool repaired by qualified specialists only and always use original spare parts.** This ensures that the safety of the power tool is maintained.
- b. **Only use original parts for repairs and maintenance.** The use of incompatible accessories or spare parts can result in electric shocks or other injuries.

3.2 Further safety instructions



- **Wear suitable personal protective equipment:** Ear protection, safety goggles, a dust mask for work that generates dust.
- Wear suitable breathing protection to protect your health. In enclosed spaces, ensure that there is sufficient ventilation and connect a mobile dust extractor.
- **Harmful/poisonous dust may be produced when working (e.g. paint products containing lead and some types of wood).** Contact with or inhalation of this dust may pose a risk for the operating personnel or persons in the vicinity. Comply with the safety regulations that apply in your country. Connect the power tool to a suitable dust extractor.
- **Use a residual-current circuit breaker (RCCB) or an isolating transformer if operation of the power tool in a damp environment cannot be avoided.** In the event of an electric shock, the residual-current circuit breaker (RCCB) or isolating transformer protects you against life-threatening current through the body.
- **Attention: Risk of fire! Avoid overheating the grinding material and the sander. Always empty the dust container before taking a break.** Swarf in the dust bag, microfilter, paper bag (or in the filter bag or filter of the mobile dust extractor) may spontaneously combust in unfavourable conditions such as flying sparks when sanding

metals. Particular danger exists if the swarf is mixed with paint, polyurethane residue or other chemical materials and the grinding material is hot after long periods of work.

- If potentially explosive or self-igniting dust is produced during sanding, the machining instructions issued by the material manufacturer must always be followed.
- **Clean using materials soaked in oils, e.g. abrasive pad or polishing felt with water, and spread them out to dry.** Materials soaked in oil may ignite spontaneously.
- **Always use original Festool backing pads.** Pads from other manufacturers can break.
- Damaged or worn sanding tools may not be used.
- **If the power tool is dropped or falls, check for damage to the machine and sanding pad. Remove the sanding pad for closer inspection. Have the damaged parts repaired before use.** Broken sanding pads and damaged machines can cause injuries and machine instability.

3.3 Mixed dust containing metal and sanding damp surfaces



With mixed dust containing metal (such as dust resulting from paint sanding in the automotive field) and when sanding damp surfaces, the following measures must be observed for reasons of safety:

- Install a residual-current circuit breaker (GFCI, PRCD) upstream.
- Connect the machine to a suitable dust extractor.
- Regularly blow out the motor housing of the machine to remove dust deposits.



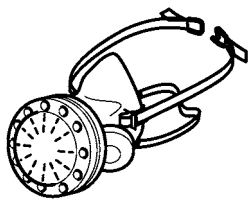
Wear protective goggles.

3.4 Health hazard by dust



WARNING! various dust created by power sanding, sawing, grinding, drilling and other construction activities contains chemicals known (to the State of California) to cause cancer, birth defects or other reproductive harm. Some examples of these chemicals are:

- lead from lead-based paints,
- crystalline silica from bricks and cement and other masonry products, and
- arsenic and chromium from chemically treated lumber.



The risk from these exposures varies, depending on how often you do this type of work. To reduce your exposure to these chemicals: work in a well ventilated

area, and work with approved safety equipment, such as dust masks that are specially designed to filter out microscopic particles. Wash hands after handling.




WARNING

TO REDUCE THE RISK OF INJURY, USER MUST READ INSTRUCTION MANUAL.

4 Intended use

The sanders are designed for sanding wood, plastic, composite, paint/varnish, filler and similar materials as directed. With mixed dust containing metal (such as dust resulting from paint sanding in the automotive industry) and when sanding damp surfaces, special safety instructions must be followed. The sanders are not intended to be suitable for grinding bare metal. Material containing asbestos cannot be processed.

 The user is liable for improper or non-intended use.

5 Technical data

Eccentric sanders	ETS EC 125/3 EQ
Power	3.6 A
Speed (no-load)	6000 - 10000 min ⁻¹
Sanding stroke	1/8" (3.0 mm)
Sanding pad	Ø 5" (125 mm)
Weight	2.65 lbs (1.2 kg)

6 Functional description

- [1-1]** ON/OFF button
- [1-2]** Speed control
- [1-3]** Sanding pad
- [1-4]** plug it connection
- [1-5]** Extractor connector
- [1-6]** Insulated gripping surfaces (grey shaded area)

The pictures for the functional description are at the beginning of the instruction manual.

7 Operation



WARNING

Unauthorised voltage or frequency.

Risk of accidents

- ▶ The mains voltage and the frequency of the power source must correspond to the specifications on the name plate.
- ▶ In North America, only Festool machines with the voltage specifications 120 V / 60 Hz may be used.



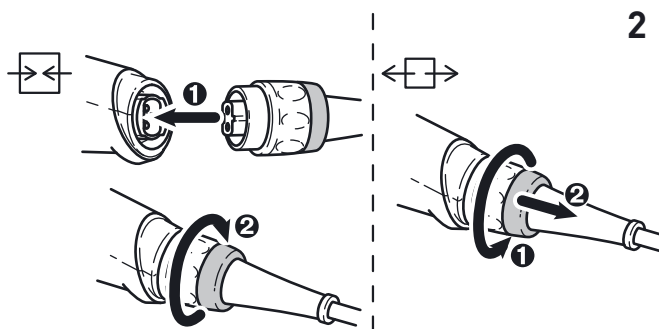
CAUTION

Heating of the plug it connection if bayonet fitting is not completely locked

Risk of burns

- ▶ Before switching on the power tool, make sure that the bayonet fitting at the mains cable is closed fully and locked.

Connecting and disconnecting the mains power cable - see fig. [2].



7.1 Switching on/off

- ON Press the ON/OFF button [1-1]
- OFF Press the ON/OFF button [1-1]

8 Settings



WARNING

Risk of injury, electric shock

- ▶ Always disconnect the mains plug from the socket before performing any work on the machine.

8.1 Electronics

Smooth start-up

The electronically controlled smooth start-up function ensures that the power tool starts up smoothly.

Constant speed

The preselected motor speed is kept constant through electronic control. This ensures a uniform cutting speed even when under load.

Speed reduction in the event of high vibrations

If high vibrations and oscillations occur at the power tool, e.g. with the use of an interface pad, the speed is automatically reduced in order to protect the power tool and the user.

Temperature cut-out


To avoid the motor overheating, the power consumption is limited at an excessive motor temperature. If the temperature continues to rise, the power tool switches off. and can only be switched on again once the motor has cooled sufficiently.


8.2 Setting and adjusting the speed


The speed can be set [1-2] between 6000 and 10000 min⁻¹ using the adjusting wheel.

This enables you to optimise the sanding speed to suit the material (see chapter 9).

8.3 Replacing the sanding pad [3]

 An optimal work result can only be achieved using original accessories and consumables. The use of non-original accessories or consumables invalidates the right to claim under warranty.

 **Warning!** do not perform any structural changes in the open interior space of the machine when the sanding pad is dismantled.

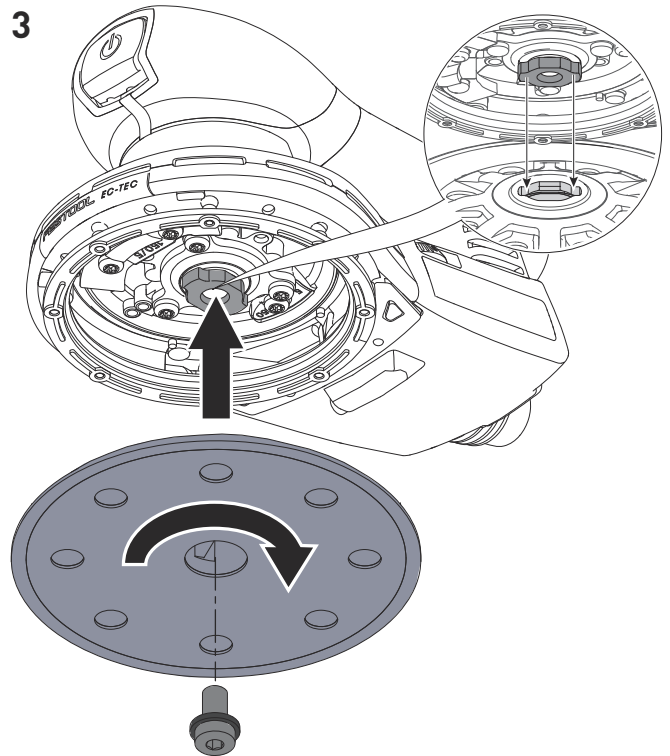
 **Health risk:** Fitting sanding pads of incorrect size causes excessive vibration of the machine.

Tuned to the surface being processed, the machine can be equipped with three sanding pads of different hardnesses.

Hard: Coarse and fine sanding on surfaces. Sanding edges.

Soft: Universal for coarse and fine sanding, for flat and convex surfaces.


Extra-soft: Fine sanding of moulded parts, arches, radii. Do not use on edges.



8.4 Attaching sanding accessories using StickFix [3B]

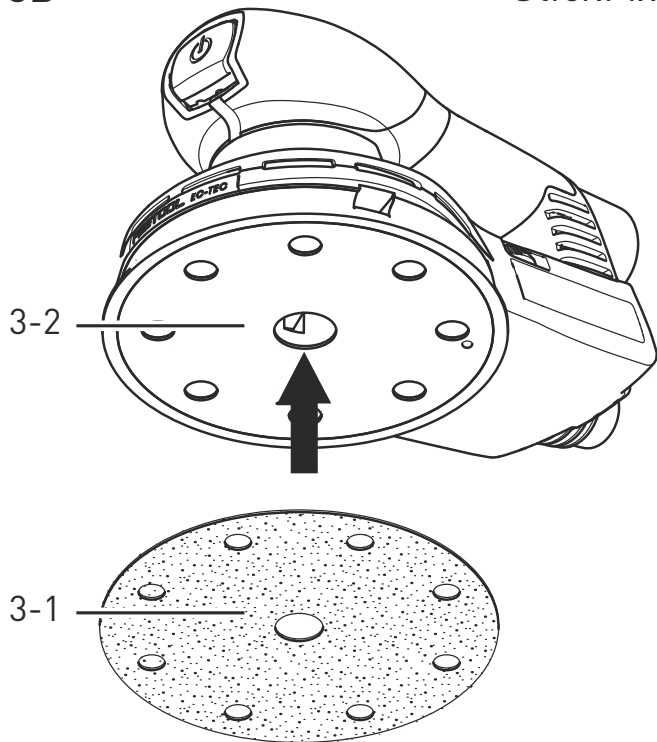
The suitable StickFix sandpaper and StickFix sanding cloth can be attached quickly and simply to the StickFix sanding pad.

- Affix the self-adhesive sanding accessory [3-1] to the sanding pad [3-2].

 In the case of a weakening adhesive effect of the StickFix surface, the sanding pad accessories, in particular those which are not yet touching the workpiece, **may come loose from the sanding pad and cause injuries.** Replace the sanding pad!

3B

StickFix



8.5 Dust extraction

**WARNING****Hazardous dust****Damage to the respiratory passage**

- ▶ Always work with an extractor.
- ▶ Comply with national regulations.
- ▶ Wear a dust mask.

A Festool mobile dust extractor with an extraction hose diameter of 1-1/16" (27 mm) should be connected at the extractor connector [1-5].

Recommendation: Use an antistatic extractor hose. This helps reduce the electric charge.

9 Working with the machine

**WARNING****Risk of injury**

- ▶ Always secure the workpiece in such a manner that it cannot move.

Observe the following information:

- Do not overload the machine by applying too much pressure. The best sanding results are achieved with moderate application pressure. The sanding performance and quality depend mainly on selecting the correct abrasive.
- Hold the machine with two hands – one on the motor housing and one on the gear head [1-6] – to ensure safe guidance.

For sanding, we recommend the following settings for the adjusting wheel [1-2]:

Sanding work	Adjusting wheel setting
- Sanding with max. abrasion	5-6
- Sanding off old paint	
- Sanding of wood and veneered surface prior to paintwork	
- Intermediate sanding of paintwork on surfaces	
- Sanding thinly applied undercoat	4-5
- Sanding wood with sanding cloth	
- Edge breaking on wooden parts	
- Smoothing primed wooden surfaces	
- Sanding solid wood and veneered edges	3-4
- Sanding rebate of windows and doors	
- Intermediate sanding of paintwork at edges	
- Light sanding of natural wood windows using sanding cloth	
- Smoothing wooden surfaces using sanding cloth before staining	
- Rubbing stained surfaces with a sanding cloth	
- Rubbing or removing excess limestone residue using sanding cloth	
- Intermediate sanding of paintwork on stained surfaces	2-3
- Cleaning natural wood window rebate using sanding cloth	
- Sanding stained edges	1-2
- Sanding thermoplastics	

9.1 Extension Cord

If an extension cord is required, it must have sufficient cross-section to prevent an excessive drop in voltage or overheating. An excessive drop in voltage reduces the output and can lead to failure of the motor. The table below shows you the correct cord diameter as a function of the cord length for this tool.

Cord Size in A.W.G


Tool's Ampere Rating	Cord Length in Feet			
	25	50	100	150
3-6	18	16	16	14
6-8	18	16	14	12

Tool`s Ampere Rating	Cord Length in Feet			
8-10	18	16	14	12
10-12	16	16	14	12
12-16	14	12	-	-

Wire Sizes in mm²

Tool`s Ampere Rating	Cord Length in Meters			
	15	30	60	120
3-6	0.75	0.75	1.5	2.5
6-8	0.75	1.0	2.5	4.0
8-10	0.75	1.0	2.5	4.0
10-12	1.0	2.5	4.0	-
12-16	-	-	-	-

Use only NRTL listed extension cords.
Never use two extension cords together. Instead, use one long one.

 The lower the AWG number, the stronger the cord.

10 Service and maintenance



WARNING

Any maintenance or repair work that requires opening of the motor or gear housing should only be carried out by an authorised Customer Service Centre (name supplied by your dealer)!

► Maintenance or repair work carried out by an unauthorised person can lead to the wrong connection of the power cord or other components, which in turn can lead to accidents with serious consequences.



WARNING

To prevent accidents, always remove the plug from the power supply socket before carrying out any changes or maintenance work on the tool!

► Do not use compressed air to clean the electrical tool! Do not try to clean parts inside the tool in this way, as you could let foreign objects in through the openings of the tool housing.



CAUTION

Certain cleaning agents and solvents are harmful to plastic parts.

► Some of these include, but are not limited to: Gasoline, Acetone, Methyl Ethyl Ketone (MEK), Carbonyl Chloride, cleaning solutions containing Chlorine, Ammonia, and household cleaners containing Ammonia.



Customer service and repairs must only be carried out by the manufacturer or service workshops. Find the nearest address at:

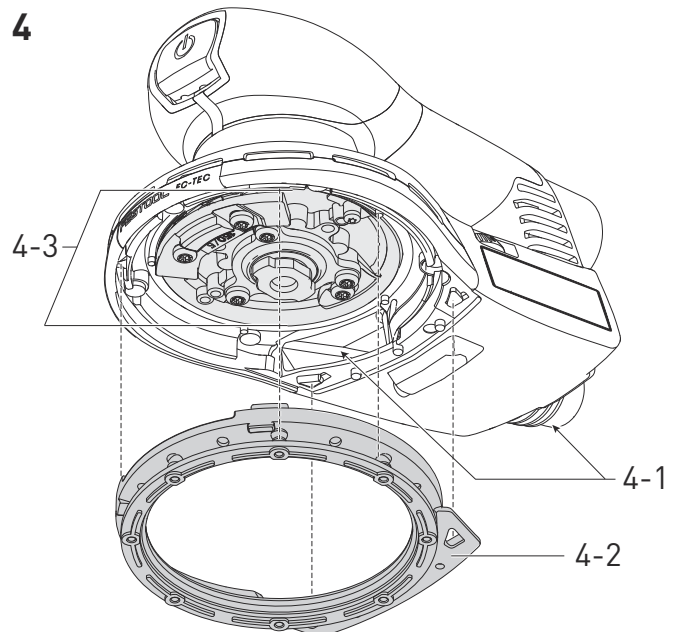
www.festoolusa.com/service



Always use original Festool spare parts. Order no. at:

www.festoolusa.com/service

- To ensure constant air circulation, always keep the cooling air openings in the motor housing clean and free of blockages.
- In the event of a slowdown in performance or increased vibrations, blow and clean cooling air openings.



10.1 Cleaning the extraction channels

We recommend cleaning the extraction channels in the machine **[4-1]** roughly once a week (particularly if sanding synthetic resin, in the case of wet sanding and if sanding plaster) using a small flat brush or a cloth.

10.2 Cleaning the inside of the power tool

Regularly clean the inside of the power tool at the bottom of the fan, **[4-3]** otherwise the vibration values worsen as a result of the dust accumulation.

10.3 Replace the sanding pad and sanding pad brake

The rubber sleeve [4-2] brushes off the sanding pad and prevents uncontrolled turning of the sanding pad. The sanding pad brake is almost wear-free thanks to the pins used.

In the case of a decreasing braking effect, first check the sanding pad for wear and replace it if necessary. Replace the damaged sanding pad brake/rubber sleeve.

11 Accessories

Use only original Festool accessories and Festool consumable material intended for this machine. These components are designed specifically for this machine. Using accessories and consumable material from other suppliers will most likely affect the quality of your results and limit warranty claims. Machine wear or your own personal workload may increase depending on the application. Protect yourself and your machine, and preserve your warranty claims by always using original Festool accessories and Festool consumable material!


The order numbers of the accessories and tools can be found in the Festool catalogue or on the Internet under www.festoolusa.com.

11.1 SYSTAINER


Systainer

Many Festool products are shipped in a unique system container, called "Systainer". This provides protection and storage for the tool and accessories. The Systainers are stackable and can be interlocked together. They also can be interlocked atop Festool CT dust extractors.

To open the Systainer

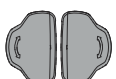
 Turn the T-loc [SYS-b-1] to this position.

To lock the Systainer


 Turn the T-loc [SYS-b-1] to this position.

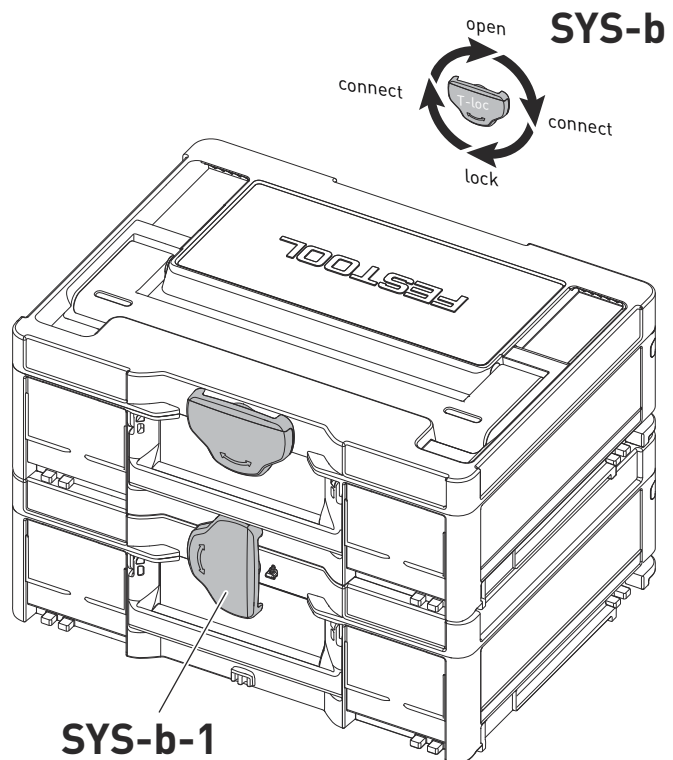
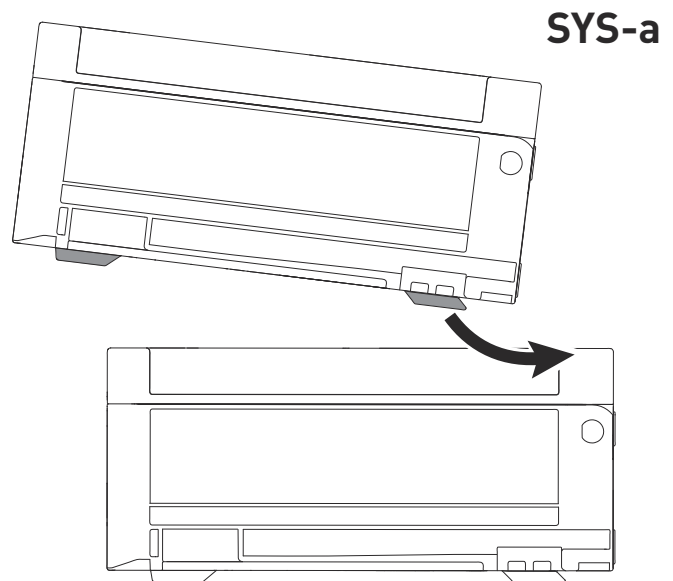
To connect two Systainers

Place one Systainer on the top of the other (Fig. [SYS-a]).

 Turn the T-loc [SYS-b-1] to one of this positions (Fig. [SYS-b]).

The Systainers are connected and locked.

-  A Systainer Classic Line can be connected to a Systainer T-Loc or to a Systainer³ from below via its four locking devices. A Systainer T-Loc can be connected to a Systainer³ both from below and from above.



12 Environment

Do not dispose of the device as domestic waste! Dispose of machines, accessories and packaging at an environmentally responsible recycling centre. Observe the respective national regulations.

13 General information

13.1 Information on data privacy

The power tool contains a chip which automatically stores machine and operating data. The data saved cannot be traced back directly to an individual.

The data can be read in a contactless manner using special devices and shall only be used by Festool for fault diagnosis, repair and warranty processing and for quality improvement or enhancement of the power tool. The data shall not be used in any other way without the express consent of the customer.

Sommaire

1	À propos de ce manuel.....	12
2	Symboles.....	12
3	Consignes de sécurité.....	12
4	Utilisation en conformité avec les instructions.....	15
5	Caractéristiques techniques.....	16
6	Description fonctionnelle.....	16
7	Mise en service.....	16
8	Réglages.....	16
9	Utilisation de la machine.....	18
10	Maintenance et entretien.....	19
11	Accessoires.....	20
12	Environnement.....	21
13	Remarques générales.....	21

1 À propos de ce manuel

Conservez ces instructions

Il est important pour vous de lire et de comprendre ce manuel. Les informations qu'il contient, se rapporte à la protection **de votre sécurité** et **de prévention des problèmes**. Les symboles suivants sont utilisés pour vous aider à reconnaître cette information.



DANGER Description du risque imminent et l'incapacité à éviter tout risque qui peut entraîner la mort.



AVERTISSEMENT Description des dangers possibles et des blessures qui en résultent ou la mort.



ATTENTION Description des dangers et des éventuelles blessures qui en résultent.

AVIS Description des dommages potentiels sur l'appareil ou dans son environnement.

2 Symboles



Avertit d'un danger général



Avertit d'un risque de décharge électrique



Lire le mode d'emploi et les consignes de sécurité !



Porter une protection auditive !



Porter une protection respiratoire !



Porter des lunettes de protection !



Brancher le câble de raccordement secteur



Débrancher le câble de raccordement secteur



Classe de protection II



L'outil contient une puce permettant l'enregistrement des données. Voir chapitre 13.1



Conseil, information



Instruction

A

Ampère



Diamètre

Hz

Hertz

"

Pouce

kg

kilogramme

mm

millimètre

lb.

Livre

min⁻¹

Tours ou course par minute

3 Consignes de sécurité

3.1 Consignes générales de sécurité pour outils électroportatifs



AVERTISSEMENT ! Veuillez lire toutes les consignes de sécurité, instructions, illustrations et caractéristiques techniques qui accompagnent le présent outil électroportatif. Des négligences relatives aux instructions suivantes peuvent occasionner un choc électrique, un incendie et/ou des blessures graves.

Conserver l'ensemble des consignes de sécurité et des instructions afin de pouvoir les consulter ultérieurement.

Le terme « outil électroportatif » utilisé dans les consignes de sécurité se rapporte aux outils électroportatifs fonctionnant sur secteur (avec câble) et aux outils électroportatifs fonctionnant sur batterie (sans câble).

1 SÉCURITÉ DU POSTE DE TRAVAIL

- Veillez à ce que la zone de travail soit propre et bien éclairée.** Un poste de travail en désordre ou mal éclairé peut entraîner des accidents.

- b. **Ne vous servez pas de l'outil électroportatif dans un environnement où il y a un risque d'explosion dû à la présence de liquides inflammables, de gaz ou de poussières.** Les outils électroportatifs peuvent générer des étincelles susceptibles d'enflammer la poussière ou les vapeurs.
- c. **Éloignez les enfants et d'autres personnes pendant l'utilisation de l'outil électroportatif.** Si vous êtes distrait, vous pouvez perdre le contrôle de l'outil électroportatif.

2 SÉCURITÉ ÉLECTRIQUE

- a. **Le connecteur de l'outil électroportatif doit correspondre à la prise électrique. Le connecteur ne doit être modifié d'aucune façon. N'utilisez pas d'adaptateur avec des outils électroportatifs mis à la terre.** Des connecteurs intacts et des prises correspondantes diminuent le risque d'un choc électrique.
- b. **Évitez tout contact avec des surfaces mises à la terre telles que des tuyaux, chauffages, cuisinières et réfrigérateurs.** Un risque élevé de choc électrique existe si votre corps est relié à la terre.
- c. **Protégez les outils électroportatifs de la pluie et de l'humidité.** L'infiltration d'eau dans un outil électroportatif augmente le risque de choc électrique.
- d. **Ne détournez pas l'utilisation du câble de raccordement pour porter l'outil électroportatif, l'accrocher ou pour tirer le connecteur de la prise. Éloignez le câble de la chaleur, de l'huile, de bords tranchants ou de pièces en mouvement.** Des câbles de raccordement endommagés ou enchevêtrés augmentent le risque de choc électrique.
- e. **Si vous travaillez avec un outil électroportatif à l'extérieur, utilisez uniquement des rallonges prévues pour l'extérieur.** L'utilisation d'un câble prévu pour l'extérieur diminue le risque d'un choc électrique.
- f. **Utilisez un disjoncteur à courant de défaut quand le fonctionnement de l'outil électroportatif en environnement humide ne peut pas être évité.** L'utilisation d'un disjoncteur à courant de défaut diminue le risque d'un choc électrique.

3 SÉCURITÉ DES PERSONNES

- a. **Soyez attentif à ce que vous faites, faites preuve de bon sens lorsque vous travaillez avec l'outil électroportatif. N'utilisez**

pas l'outil électroportatif si vous êtes fatigué ou si vous êtes sous l'influence de drogues, de l'alcool ou de médicaments. Un moment d'inattention lors de l'utilisation de l'outil électroportatif peut entraîner des blessures graves.

- b. **Portez un équipement de protection individuelle et des lunettes de protection en permanence.** Le port d'un équipement de protection individuelle tel que masque contre la poussière, chaussures de sécurité antidérapantes, casque ou protection auditive, en fonction du type et de l'utilisation de l'outil électroportatif, diminue le risque de blessures.
- c. **Évitez toute mise en service involontaire. Assurez-vous que l'outil électroportatif est déconnecté avant de le raccorder à l'alimentation électrique et/ou à la batterie, avant de le soulever ou de le porter.** Si, en portant l'outil électroportatif, vous avez le doigt sur l'interrupteur ou si vous raccordez l'outil électroportatif connecté à l'alimentation électrique, cela peut entraîner des accidents.
- d. **Retirez les outils de réglage ou les clés anglaises avant de connecter l'outil électroportatif.** Un outil ou une clé qui se trouve dans une partie de l'outil électroportatif en rotation peut entraîner des blessures.
- e. **Évitez toute position de travail anormale. Veillez à maintenir une position stable et un bon équilibre à tout moment.** Vous pourrez ainsi à tout moment contrôler l'outil électroportatif dans des situations inattendues.
- f. **Portez des vêtements adaptés. Ne portez pas de vêtements amples ou de bijoux. Éloignez vos cheveux et vos vêtements des pièces en mouvement.** Des vêtements amples, des bijoux ou des cheveux longs pourraient se prendre dans les pièces en mouvement.
- g. **Si des dispositifs d'aspiration et de récupération des poussières peuvent être montés, raccordez-les et utilisez-les correctement.** L'utilisation d'une aspiration des poussières peut diminuer les dangers dus aux poussières.
- h. **Ne vous croyez pas faussement en sécurité et n'enfreignez pas les règles de sécurité destinées aux outils électroportatifs, même si vous maîtrisez l'outil électroportatif après de multiples utilisations.**

Un manque d'attention peut en un quart de seconde entraîner de graves blessures.

4 UTILISATION ET TRAITEMENT DE L'OUTIL ÉLECTROPORTATIF

- a. **Ne surchargez pas l'outil électroportatif. Utilisez l'outil électroportatif destiné à votre travail.** L'outil électroportatif adapté vous permet de travailler mieux et avec plus de sécurité dans la plage de puissance indiquée.
- b. **N'utilisez aucun outil électroportatif dont l'interrupteur serait défectueux.** Un outil électroportatif qui ne peut plus être mis en marche ou arrêté est dangereux et doit être réparé.
- c. **Débranchez le connecteur de la prise de courant et/ou retirez une batterie amovible avant d'effectuer des réglages sur l'appareil, de remplacer des pièces d'outil ou de déposer l'outil électroportatif.** Cette mesure de précaution empêche un démarrage involontaire de l'outil électroportatif.
- d. **Rangez toujours les outils électroportatifs inutilisés hors de portée des enfants. Ne laissez aucune personne à laquelle vous ne faites pas confiance ou qui n'a pas lu ces consignes se servir de l'outil électroportatif.** Les outils électroportatifs sont dangereux lorsqu'ils sont utilisés par des personnes inexpérimentées.
- e. **Prenez soin de vos outils électroportatifs et outils. Vérifiez que les parties mobiles fonctionnent sans problème, qu'elles ne coincent pas et qu'il n'y a pas de parties cassées ou endommagées qui pourraient entraver le bon fonctionnement de l'outil électroportatif. Faites réparer les parties endommagées avant d'utiliser l'outil électroportatif.** De nombreux accidents sont dus à un mauvais entretien des outils électroportatifs.
- f. **Maintenez les outils de coupe affûtés et propres.** Des outils de coupe entretenus avec soin dotés de bords de coupe affûtés se coincent moins et sont plus faciles à utiliser.
- g. **Utilisez l'outil électroportatif, les outils, etc. en respectant ces instructions. Tenez compte des conditions de travail et de la tâche à effectuer.** L'utilisation des outils électroportatifs pour d'autres applications que celles prévues peut entraîner des situations dangereuses.

- h. **Veillez à ce que les poignées et surfaces des poignées soient sèches, propres et exemptes d'huile ou de graisse.** Des poignées et surfaces de poignées glissantes ne permettent pas une utilisation en toute sécurité ni un contrôle de l'outil électroportatif dans des situations imprévues.

5 SERVICE

- a. **Faites réparer votre outil électroportatif uniquement par un personnel qualifié ; les réparations doivent être uniquement effectuées avec des pièces détachées d'origine,** afin de garantir la fiabilité de l'outil électroportatif.
- b. **Pour la réparation et l'entretien, n'utilisez que des pièces d'origine.** L'utilisation d'accessoires ou de pièces détachées non adaptés risque de provoquer une électrocution ou des blessures.

3.2 Autres consignes de sécurité



- **Portez un équipement de protection individuelle approprié :** protection auditive, lunettes de protection, masque contre la poussière pour des opérations s'accompagnant d'un dégagement de poussière.
- Pour protéger votre santé, portez une protection respiratoire appropriée. Dans les espaces clos, assurer une ventilation suffisante et raccorder un aspirateur.
- **Un dégagement de poussières nocives/toxiques est possible pendant l'utilisation de l'appareil (par ex. poussières de peintures au plomb ou de certaines essences de bois).** Le contact avec ces poussières ou leur inhalation peut présenter un danger pour la santé de l'utilisateur ou des personnes se trouvant à proximité. Veuillez respecter les prescriptions de sécurité en vigueur dans votre pays. Raccordez l'outil électroportatif à un dispositif d'aspiration approprié.
- **Utilisez un disjoncteur à courant de défaut (FI) ou un transformateur de séparation quand le fonctionnement de l'outil électroportatif en environnement humide ne peut pas être évité.** Le disjoncteur à courant de défaut (FI) / transformateur de séparation vous protège de tout risque d'électrocution en cas de choc électrique.
- **Attention au risque d'incendie ! Évitez la surchauffe des matériaux travaillés et de**

la ponceuse. Videz systématiquement le bac de récupération des poussières avant de faire une pause dans votre travail. Les particules de poussières se trouvant dans le sac à poussière, le microfiltre, le sac en papier (ou dans le sac filtre ou le filtre de l'aspirateur) peuvent s'enflammer d'elles-mêmes dans des conditions défavorables, comme par ex. la projection d'étincelles lors du ponçage de pièces en métal. Le risque est particulièrement important lorsque les particules de poussières sont mélangées à des résidus de vernis, de polyuréthane ou d'autres substances chimiques et que les matériaux travaillés sont très chauds après avoir été longtemps travaillés.

- Si le ponçage génère des poussières explosives ou inflammables, il convient impérativement d'observer les consignes d'usinage du fabricant du matériau.
- **Nettoyez à l'eau les accessoires imprégnés d'huile, par ex. éponge de ponçage ou feutre de polissage, et laissez-les sécher après les avoir soigneusement dépliés.** Les accessoires imprégnés d'huile peuvent s'enflammer d'eux-mêmes.
- **Utiliser uniquement des plateaux de ponçage Festool d'origine.** Des plateaux d'autres marques pourraient se casser.
- Des outils de ponçage endommagés ou usés ne doivent pas être utilisés.
- **En cas de chute, vérifiez que l'outil électroportatif et le plateau de ponçage ne sont pas endommagés. Démontez le plateau de ponçage pour pouvoir procéder à un examen minutieux. Faites réparer les pièces endommagées avant toute utilisation.** Des plateaux de ponçage cassés et des machines endommagées peuvent causer des blessures et compromettre la sécurité d'utilisation de la machine.

3.3 Poussières mélangées avec teneur en métal et ponçage de surfaces humides



Pour les poussières mélangées avec teneur en métal (par ex. ponçage de laque dans le domaine automobile) et pour le ponçage de surfaces humides, respectez les mesures suivantes pour des raisons de sécurité :

- Installez en amont de l'appareil un disjoncteur à courant de défaut (FI, PRCD).
- Raccordez l'outil à un aspirateur approprié.

- Nettoyez régulièrement par soufflage les dépôts de poussières accumulés dans le carter moteur.



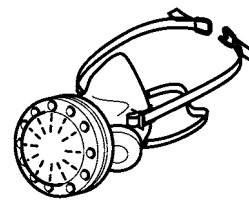
Portez des lunettes de protection !

3.4 La poussière, un risque pour la santé



AVERTISSEMENT! certaines poussières créées par le ponçage mécanique, le sciage, le meulage, le perçage et autres activités liées à la construction contiennent des substances chimiques connues (dans l'État de la Californie) comme pouvant causer le cancer, des anomalies congénitales ou représenter d'autres dangers pour la reproduction. Voici quelques exemples de telles substances:

- plomb provenant de peintures à base de plomb,
- silice cristallisée utilisée dans les briques, le ciment et autres matériaux de maçonnerie, et
- arsenic et chrome du bois d'oeuvre traité avec un produit chimique.



Le risque d'exposition à de tels produits varie selon la fréquence à laquelle vous faites ce genre de travail. Pour réduire les risques d'exposition à ces substan-

ces chimiques : travaillez dans un endroit adéquatement ventilé et utilisez un équipement de sécurité approuvé, tel que masques antipoussières spécialement conçus pour filtrer les particules microscopiques.



AVERTISSEMENT

POUR RÉDUIRE LE RISQUE DE DOMMAGES, L'UTILISATEUR DOIT LIRE LE MANUEL D'INSTRUCTION.

4 Utilisation en conformité avec les instructions

Les ponceuses sont conçues pour le ponçage des matériaux suivants : bois, matières plastiques, matériaux composites, peintures / vernis, enduits et matériaux similaires. Pour les poussières mélangées avec teneur en métal (par ex. ponçage de laque dans le domaine automobile) et pour le ponçage de surfaces humides, respectez les consignes spéciales de sécurité. Les ponceuses ne conviennent pas pour poncer uniquement du métal. Les matériaux contenant de l'amiante ne doivent pas être poncés !



L'utilisateur est responsable des dommages provoqués par une utilisation non conforme.

5 Caractéristiques techniques

Ponceuses excentriques	ETS EC 125/3 EQ
Puissance	3,6 A
Régime (à vide)	6000 - 10000 min ⁻¹
Course de ponçage	1/8" (3,0 mm)
Plateau de ponçage	Ø 5" (125 mm)
Poids	2,65 lbs (1,2 kg)

6 Description fonctionnelle

- [1-1]** Interrupteur marche/arrêt
- [1-2]** Régulation de la vitesse
- [1-3]** Plateau de ponçage
- [1-4]** Raccord plug it
- [1-5]** Raccord d'aspiration
- [1-6]** Parties isolées (zone en gris) servant de poignée

Des éléments fournis sont disponibles au début de cette notice d'utilisation.

7 Mise en service



AVERTISSEMENT

Tension ou fréquence non admissible ! Risque d'accident

- La tension et la fréquence d'alimentation électrique doivent être conformes aux indications de la plaque signalétique.
- En Amérique du nord, utiliser uniquement les machines Festool fonctionnant sous une tension de 120 V / 60 Hz.



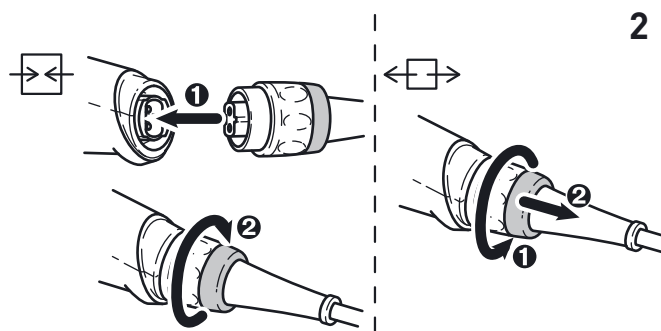
ATTENTION

Échauffement du raccord plug it si le raccord à baïonnette n'est pas complètement verrouillé

Risque de brûlures

- Avant de mettre en marche l'outil électroportatif, assurez-vous que le raccord à baïonnette sur le câble de raccordement secteur est complètement fermé et verrouillé.

Branchement et débranchement du câble de raccordement secteur -, voir figure [2].



7.1 Mise en marche/à l'arrêt

MARCHE Appuyez sur l'interrupteur marche/arrêt [1-1]

ARRÊT Appuyez sur l'interrupteur marche/arrêt [1-1]

8 Réglages



AVERTISSEMENT

Risque de blessures, décharge électrique

- Débrancher la fiche de la prise de courant avant toute intervention sur la machine !

8.1 Électronique

Démarrage progressif

Le démarrage progressif à régulation électronique assure un démarrage sans à-coups de l'outil électroportatif.

Vitesse de rotation constante

La vitesse sélectionnée est maintenue constante de manière électronique. La vitesse de ponçage reste donc homogène, même lorsque l'outil est fortement sollicité.

Réduction de la vitesse de rotation en cas de vibrations importantes

En cas de vibrations et oscillations importantes au niveau de l'outil électroportatif, par ex. lors de l'utilisation avec un pad d'interface, la vitesse de rotation est automatiquement réduite pour préserver l'homme et la machine.

Fusible thermique


Pour éviter la surchauffe du moteur, la puissance absorbée de l'outil est réduite en cas de température trop élevée du moteur. Si la surtempérature perdure, l'outil électroportatif s'arrête complètement. La remise en marche n'est possible qu'après refroidissement du moteur.


8.2 Réglage de la vitesse


La molette [1-2] permet de régler la vitesse de rotation entre 6000 et 10000 min⁻¹.

Vous pouvez ainsi adapter de façon optimale la vitesse de ponçage à chaque matériau (voir le chapitre 9).

8.3 Remplacement du plateau de ponçage [3]

 Pour obtenir un résultat exceptionnel, utiliser uniquement les accessoires et consommables d'origine. En cas de non-utilisation des accessoires et consommables d'origine, les dommages qui pourraient s'ensuivre ne sont pas couverts par la garantie.

 **Avertissement !** Ne procédez à aucune modification de l'outil lorsque le plateau de ponçage est démonté.

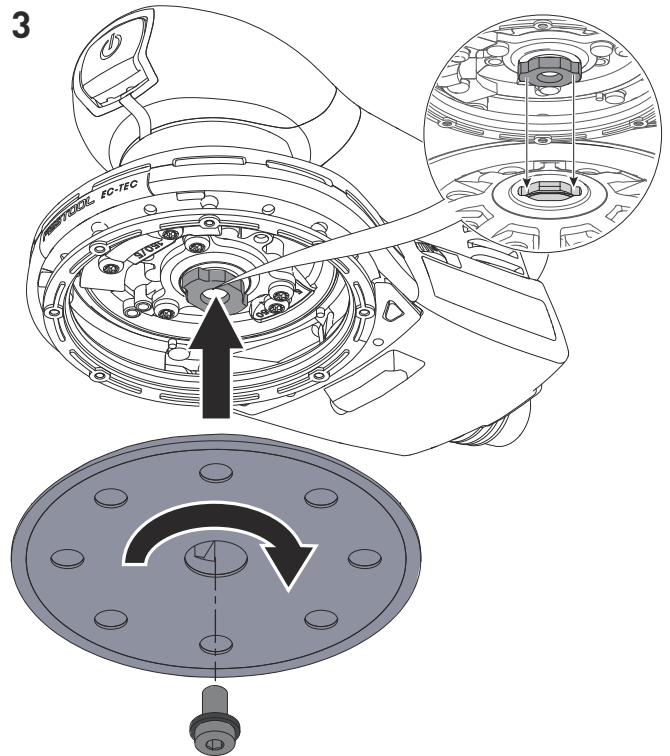
 **Risque pour la santé :** le montage d'un plateau de ponçage de taille inappropriée conduit à des vibrations inadmissiblement élevées sur l'outil.

En fonction de la surface à traiter, cet outil peut être équipé de trois plateaux de ponçage de durétés différentes.

Surfaces dures : ponçage dégrossissant et ponçage fin sur des surfaces. Ponçage des chants.

Surfaces tendres : accessoire universel pour ponçage dégrossissant et ponçage fin, pour surfaces planes et incurvées.


Surfaces super tendres : pour ponçage fin sur pièces de forme, bombages, rayons. Ne pas employer sur chant !

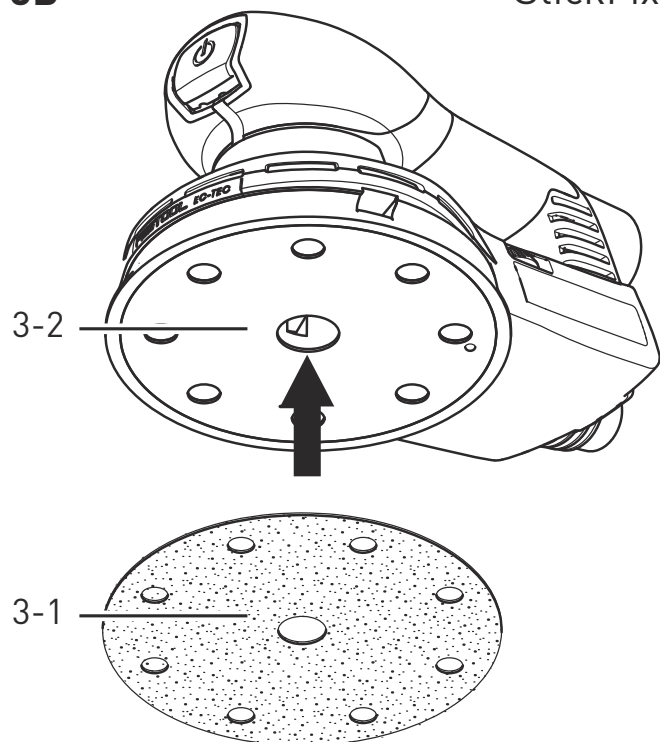


8.4 Fixer les accessoires de ponçage avec StickFix [3B]

Le plateau de ponçage StickFix permet de fixer des abrasifs et des feutres StickFix adaptés de manière simple et rapide.

- Appuyer l'accessoire de ponçage autocollant [3-1] sur le plateau de ponçage [3-2].

 Si l'adhérence du revêtement StickFix diminue, il est possible que des accessoires du patin de ponçage se détachent du patin de ponçage, en particulier quand il n'est pas monté, **et causent des blessures**. Remplacez le plateau de ponçage !



8.5 Aspiration



AVERTISSEMENT

Poussières nocives pour la santé

Lésions des voies respiratoires

- ▶ Ne jamais travailler sans aspiration.
- ▶ Respecter les dispositions nationales.
- ▶ Porter une protection respiratoire.

Raccordez un aspirateur Festool avec tuyau d'aspiration de 1-1/16" (27 mm) de diamètre au raccord d'aspiration [1-5].

Recommandation : utiliser un tuyau d'aspiration antistatique ! La fonction antistatique empêche la charge d'électricité statique.

9 Utilisation de la machine



AVERTISSEMENT

Risques de blessures

- ▶ Fixer la pièce à usiner de manière à ce qu'elle ne puisse pas bouger pendant le traitement.

Respecter les consignes suivantes :

- Ne provoquez pas de surcharge en appuyant trop fort sur la machine ! Pour obtenir un résultat de ponçage optimal, une pression modérée suffit. Les performances de ponçage et la qualité du ponçage dépendent essentiellement du choix de l'abrasif.

- Maintenir la machine avec les deux mains sur le carter moteur et la tête d'engrenage [1-6] afin de garantir un guidage sûr.

Pour les travaux de ponçage, nous recommandons de régler la molette comme suit [1-2]:

Travaux de ponçage	Position de la molette
- Ponçage avec abrasion élevée	5 - 6
- Ponçage d'anciennes peintures	
- Ponçage de bois et de contreplaqué avant peinture	
- Ponçage intermédiaire de peintures (surfaces planes)	
- Ponçage de sous-couches fines	4 - 5
- Ponçage de bois à l'aide du non-tissé de ponçage	
- Réalisation de chants sur des pièces en bois	
- Lissage de surfaces en bois à enduit	
- Ponçage de chants en bois massif et en contreplaqué	3 - 4
- Ponçage dans la rainure de fenêtres et de portes	
- Ponçage intermédiaire du vernis de chants	
- Ponçage de fenêtres en bois naturel à l'aide du non-tissé de ponçage	
- Lissage de la surface en bois avant le décapage à l'aide du non-tissé de ponçage	
- Ponçage de surfaces décapées à l'aide de l'abrasif Vlies	
- Ponçage ou enlèvement de la pâte de chaux superflue à l'aide du non-tissé de ponçage	
- Ponçage intermédiaire de vernis de surfaces décapées	2 - 3
- Nettoyage de rainures de fenêtres en bois à l'aide du non-tissé de ponçage	
- Ponçage de chants décapés	1 - 2
- Ponçage de matières synthétiques thermoplastiques	

9.1 Rallonge

S'il est nécessaire d'utiliser une rallonge, celle-ci doit présenter une section suffisante pour éviter une perte de tension excessive ou une surchauffe. Une perte de tension excessive réduit la puissance et peut provoquer la défaillance du moteur. Le tableau ci-dessous indique le

diamètre de câble approprié en fonction de la longueur de câble pour cet outil.

Taille de câble en AWG


Intensité nominale de l'outil	Longueur de câble en pieds			
	25	50	100	150
3-6	18	16	16	14
6-8	18	16	14	12
8-10	18	16	14	12
10-12	16	16	14	12
12-16	14	12	-	-

Taille de câble en mm²

Intensité nominale de l'outil	Longueur de câble en mètres			
	15	30	60	120
3-6	0,75	0,75	1,5	2,5
6-8	0,75	1,0	2,5	4,0
8-10	0,75	1,0	2,5	4,0
10-12	1,0	2,5	4,0	-
12-16	-	-	-	-

Utiliser uniquement des rallonges homologuées NRTL.

Ne jamais utiliser deux rallonges ensemble. Au lieu de cela, utiliser une rallonge plus longue.

 Plus la valeur AWG est faible, plus le diamètre du câble est élevé.

10 Maintenance et entretien



AVERTISSEMENT

Tout travail de maintenance ou de réparation, qui nécessite l'ouverture du moteur ou du carter d'engrenages doit uniquement être effectué par un centre service-client autorisé (nom fourni par votre revendeur) !

► Les travaux de maintenance ou de réparation effectués par un personnel non autorisé peuvent conduire à la mauvaise connexion de câbles d'alimentation ou d'autres composants, ce qui peut entraîner à son tour des accidents avec des conséquences graves.



AVERTISSEMENT

Pour éviter les accidents, retirez toujours la fiche mâle de la prise d'alimentation électrique avant d'effectuer tout travail de maintenance ou de réparation sur la machine !

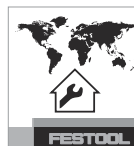
► N'utilisez pas d'air comprimé pour nettoyer l'outil électrique ! N'essayez pas de nettoyer des parties à l'intérieur de la machine de cette façon, étant donné que des corps étrangers pourraient pénétrer dans les ouvertures du carter de la machine.



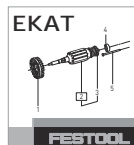
ATTENTION

Certains produits nettoyants et solvants sont nocifs pour les pièces en plastique.

► Quelques exemples de produit nocif : essence, acétone, méthyléthylcétone (MEK), chlorure de carbonyle, solutions nettoyantes contenant du chlore, de l'ammoniac et les produits ménagers contenant de l'ammoniac.



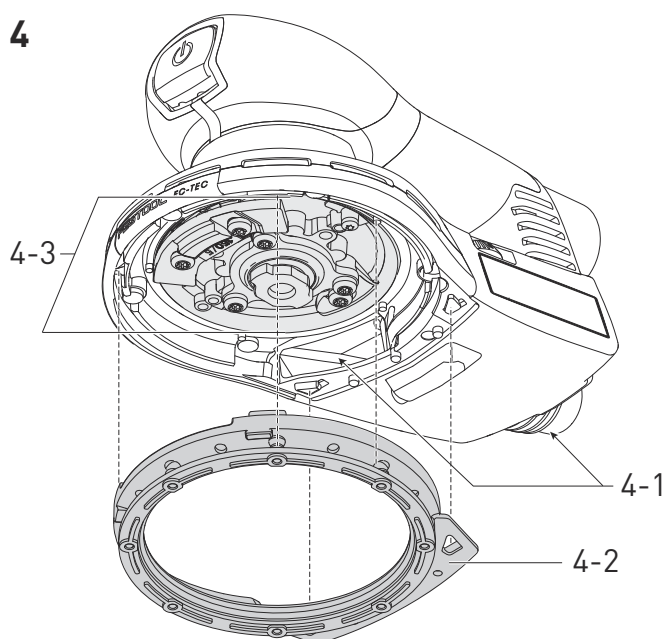
Service après-vente et réparation uniquement par le fabricant ou des ateliers homologués. Pour trouver l'adresse la plus proche : www.festoolusa.com/service



Utiliser uniquement des pièces détachées Festool d'origine ! Réf. sur : www.festoolusa.com/service

- Pour assurer la circulation de l'air, il est impératif que les ouïes de ventilation du carter moteur soient maintenues dégagées et propres.
- En cas de pertes de puissance ou de vibrations accrues, aspirez et nettoyez les ouvertures de circulation d'air de refroidissement.

4



10.1 Nettoyage des canaux d'aspiration

Nous recommandons de nettoyer environ une fois par semaine (surtout en cas de ponçage de mastic synthétique, de ponçage à l'eau ou de plâtre) les canaux d'aspiration dans l'outil [4-1] avec une petite brosse plate ou avec un chiffon en tissu.

10.2 Nettoyage de l'espace intérieur

Nettoyez régulièrement l'espace intérieur de l'outil électroportatif sur la face inférieure du ventilateur, [4-3] sinon les accumulations de poussière entraînent une dégradation des valeurs de vibration.

10.3 Remplacement du plateau de ponçage et du frein de plateau

Le manchon en caoutchouc [4-2] effleure le plateau de ponçage et évite ainsi une montée en vitesse incontrôlée du plateau de ponçage. Grâce à des broches métalliques, le frein de plateau est pratiquement sans usure.

Si l'effet de freinage diminue, contrôlez l'usure du patin de ponçage et le cas échéant, remplacez-le. Remplacez le frein de plateau/manchon en caoutchouc endommagé.

11 Accessoires

Utilisez uniquement les accessoires Festool et consommables Festool d'origine prévus pour cette machine, car ces composants systèmes sont parfaitement adaptés les uns par rapport aux autres. Si vous utilisez des accessoires et consommables d'autres marques, la qualité du résultat peut être dégradée et les recours en garantie peuvent être soumis à des restrictions. L'usure de la machine ou votre charge personnelle peuvent augmenter selon chaque applica-

tion. Pour cette raison, protégez-vous, votre machine et vos droits à la garantie en utilisant exclusivement des accessoires Festool et des consommables Festool d'origine !

Les références des accessoires et des outils figurent dans le catalogue Festool ou sur Internet sous "www.festoolusa.com".

11.1 SYSTAINER

Systainer

De nombreux produits Festool sont fournis dans une caisse exclusive, appelée "Systainer". Celle-ci permet de protéger et de ranger des outils et des appareils complémentaires. Les Systainer sont empilables et peuvent être solidarisés. En outre, il se fixent sur les aspirateurs CT Festool.

Pour ouvrir le Systainer



Tournez le T-loc [SYS-b-1] à cette position.

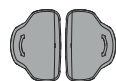
Pour fermer le Systainer



Tournez le T-loc [SYS-b-1] à cette position.

Pour connecter deux Systainers

Placez un Systainer au dessus de l'autre [SYS-a].

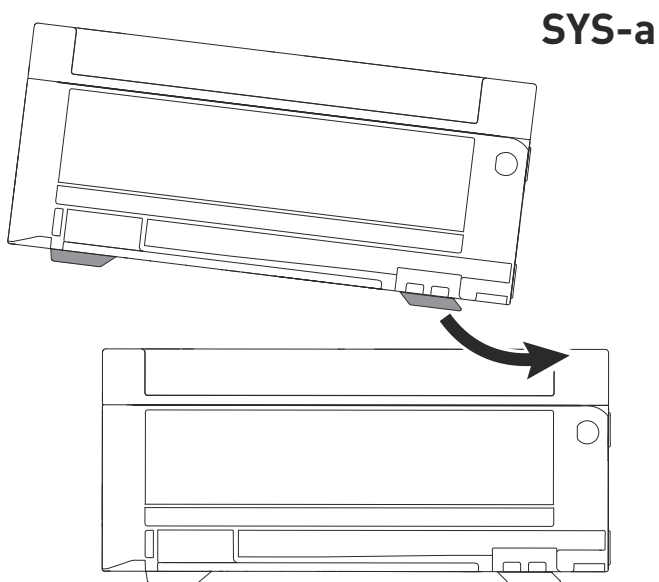


Tournez le T-loc [SYS-b-1] à une de cette positions (Fig. [SYS-b]).

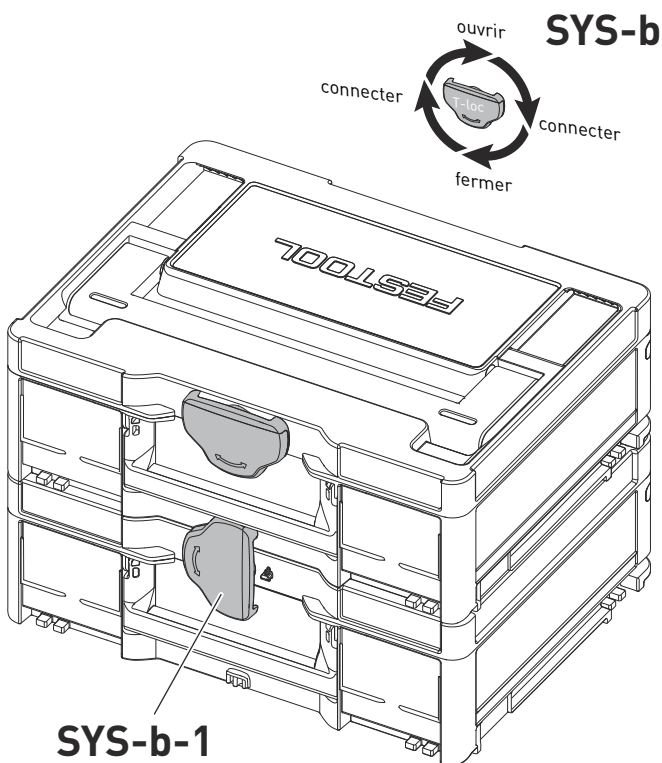
Les Systainers sont combinés.

i Un Systainer Classic Line peut être relié par en bas à un Systainer T-Loc ou à un Systainer³ avec ses quatre éléments de verrouillage

Un Systainer T-Loc peut être relié à un Systainer³ à la fois par le bas et par le haut.



Les données peuvent être lues sans contact à l'aide d'appareils spéciaux. Elles sont utilisées par Festool uniquement pour le diagnostic d'erreurs, la gestion des réparations et de la garantie, ainsi que pour l'amélioration de la qualité et/ou le perfectionnement de l'outil électroportatif. Toute utilisation des données dépassant ce cadre – sans l'accord exprès du client – est exclue.



12 Environnement

Ne jetez pas l'appareil avec les ordures ménagères ! Éliminez l'appareil, les accessoires et les emballages de façon compatible avec l'environnement. Respectez les prescriptions nationales en vigueur.

13 Remarques générales

13.1 Informations relatives à la protection des données

L'outil électroportatif contient une puce permettant l'enregistrement automatique des données d'outil et de fonctionnement. Les données enregistrées ne contiennent aucune référence directe aux personnes.

Índice de contenidos

1	Sobre este manual.....	22
2	Símbolos.....	22
3	Indicaciones de seguridad.....	22
4	Uso conforme a lo previsto.....	25
5	Datos técnicos.....	25
6	Descripción de las funciones.....	26
7	Puesta en servicio.....	26
8	Ajustes.....	26
9	Trabajo con la máquina.....	28
10	Mantenimiento y limpieza.....	29
11	Accesorios.....	29
12	Medio ambiente.....	30
13	Observaciones generales.....	30

1 Sobre este manual

Guarde estas instrucciones

Es importante que usted lea y entienda este manual. La información que contiene se relaciona con la protección de **su seguridad y la prevención de problemas**. Los símbolos que siguen se utilizan para ayudarlo a reconocer esta información.

	PELIGRO	Descripción de peligro inminente y fracaso para evitar riesgos que podran causar la muerte.
	ADVERTENCIA	Descripción de peligro y posibles lesiones resultantes o la muerte.
	PRECAUCIÓN	Descripción de peligro y posibles lesiones resultantes.
	AVISO	Descripción de los posibles daños en el dispositivo o en su entorno.

2 Símbolos

	Aviso de peligro general
	Peligro de electrocución
	¡Leer el manual de instrucciones y las indicaciones de seguridad!
	Usar protección para los oídos
	Utilizar protección respiratoria.

	Utilizar gafas de protección
	Conexión del cable de conexión a la red eléctrica
	Desconexión del cable de conexión a red
	Clase de protección II
	La herramienta cuenta con un chip para el almacenamiento de datos. Ver apartado 13.1
	Consejo, indicación
	Guía de procedimiento
A	Amperios
	diámetro
Hz	hertzios
"	pulgada
kg	kilogramo
mm	milímetro
lb.	libras
min ⁻¹	Revoluciones por minuto

3 Indicaciones de seguridad

3.1 Indicaciones de seguridad generales para herramientas eléctricas

¡ADVERTENCIA! Leer todas las indicaciones de seguridad, instrucciones, ilustraciones y datos técnicos que acompañan a esta herramienta eléctrica. Si no se cumplen debidamente las instrucciones siguientes, puede producirse una descarga eléctrica, quemaduras o lesiones graves.

Guarde todas las indicaciones de seguridad e instrucciones para que sirvan de futura referencia.

El término «herramienta eléctrica» empleado en las indicaciones de seguridad hace referencia a herramientas eléctricas conectadas a la red eléctrica (con un cable de red) o a herramientas eléctricas alimentadas con batería (sin cable de red).

1 SEGURIDAD EN EL LUGAR DE TRABAJO

- Mantenga su zona de trabajo limpia y bien iluminada.** El desorden o la falta de ilumina-

nación en las zonas de trabajo pueden dar lugar a accidentes.

- b. **No trabaje con la herramienta eléctrica en entornos potencialmente explosivos donde se encuentren líquidos, gases o polvos inflamables.** Las herramientas eléctricas producen chispas que pueden inflamar el polvo o los vapores.
- c. **Mantenga a niños y adultos alejados de la herramienta eléctrica durante el uso.** Si se distrae, puede perder el control de la herramienta eléctrica.

2 SEGURIDAD ELÉCTRICA

- a. **El conector de la herramienta eléctrica debe encajar en el enchufe. El conector no debe modificarse en modo alguno. No utilice conectores adaptadores con herramientas eléctricas con puesta a tierra.** Unos conectores intactos y unos enchufes adecuados reducen el riesgo de descarga eléctrica.
- b. **Evite el contacto físico con superficies con puesta a tierra como las de tuberías, calefacciones, cocinas y frigoríficos.** Existe un riesgo elevado de descarga eléctrica si su cuerpo está en contacto con la tierra.
- c. **Mantenga las herramientas eléctricas lejos de la lluvia y la humedad.** La penetración de agua en una herramienta eléctrica aumenta el riesgo de descarga eléctrica.
- d. **No utilice el cable de conexión para transportar o colgar la herramienta eléctrica ni para extraer el conector del enchufe. Mantenga el cable de conexión alejado del calor, aceite, cantos afilados o piezas en movimiento.** Los cables de conexión dañados o enredados aumentan el riesgo de descarga eléctrica.
- e. **Si trabaja con una herramienta eléctrica al aire libre, utilice únicamente alargadores aptos para el uso en exteriores.** El empleo de alargadores aptos para el uso en exteriores reduce el riesgo de descarga eléctrica.
- f. **Cuando sea inevitable el uso de la herramienta eléctrica en un entorno húmedo, utilice un interruptor diferencial.** El uso de un interruptor diferencial reduce el riesgo de que se produzca una descarga eléctrica.

3 SEGURIDAD DE LAS PERSONAS

- a. **Sea cuidadoso, preste atención a lo que está haciendo y actúe con prudencia al trabajar con herramientas eléctricas. No**

utilice ninguna herramienta eléctrica si está cansado o bajo los efectos de drogas, alcohol o medicamentos. Una mínima distracción mientras está utilizando la herramienta eléctrica puede ocasionarle graves lesiones.

- b. **Lleve puesto el equipo de protección individual y utilice gafas de protección en todo momento.** El empleo del equipamiento de protección personal como p. ej. mascarilla, guantes de seguridad antideslizantes, casco o protección de oídos, según el tipo y la aplicación de la herramienta eléctrica, reduce el riesgo de lesiones.
- c. **Evite un arranque accidental de la herramienta. Asegúrese de que está desconectada antes de conectarla al suministro de corriente o la batería, recogerla o transportarla.** Existe peligro de accidente si transporta la herramienta eléctrica con el dedo sobre el interruptor o si conecta la herramienta eléctrica a la red estando encendida.
- d. **Retire las herramientas de ajuste y las llaves de tornillos antes de conectar la herramienta eléctrica.** Si una herramienta o llave se encuentra en una pieza en movimiento de la herramienta eléctrica, pueden producirse lesiones.
- e. **Evite una postura anormal del cuerpo. Procure un apoyo seguro y mantenga el equilibrio en todo momento.** De esta manera podrá controlar mejor la herramienta eléctrica en situaciones inesperadas.
- f. **Utilice ropa adecuada. No utilice ropa ancha ni objetos de joyería o bisutería. Mantenga el pelo y la ropa alejados de las piezas en movimiento.** La ropa holgada, las joyas o el pelo largo pueden quedar atrapados por piezas en movimiento.
- g. **Si se montan dispositivos de aspiración o recogida de polvo, estos deberán conectarse y utilizarse correctamente.** El empleo de un sistema de aspiración del polvo puede disminuir los peligros a causa del polvo.
- h. **No se cree un falso sentido de la seguridad ni ignore las normas de seguridad de las herramientas eléctricas, ni siquiera si está muy familiarizado con el uso de la herramienta.** Una distracción durante el manejo puede derivar en graves lesiones en cuestión de pocas fracciones de segundo.

4 USO Y MANEJO DE LA HERRAMIENTA ELÉCTRICA

- a. **No sobrecargue la herramienta eléctrica. Utilice la herramienta eléctrica adecuada para el trabajo que va a realizar.** Con la herramienta apropiada trabajará mejor y más seguro en el rango de potencia especificado.
- b. **No utilice ninguna herramienta eléctrica cuyo interruptor esté defectuoso.** Una herramienta eléctrica que no se pueda conectar o desconectar resulta peligrosa y es necesario repararla.
- c. **Extraiga el conector del enchufe o retire la batería extraíble antes de efectuar los ajustes de la herramienta, cambiar piezas o guardar la herramienta eléctrica.** Esta medida de seguridad impide el arranque accidental de la herramienta eléctrica.
- d. **Mantenga las herramientas eléctricas que no esté utilizando fuera del alcance de los niños. No permita que la herramienta eléctrica sea utilizada por personas que no estén familiarizadas con ella o no hayan leído las presentes indicaciones.** Las herramientas eléctricas en manos inexpertas pueden ser peligrosas.
- e. **Trate las herramientas eléctricas y las herramientas intercambiables con cuidado. Compruebe si las partes móviles funcionan correctamente y no se atascan, y si hay piezas rotas o tan deterioradas que podrían mermar el funcionamiento de la herramienta eléctrica. Haga reparar las piezas deterioradas antes de usar la herramienta eléctrica.** Muchos accidentes tienen su origen en un mantenimiento deficiente de las herramientas eléctricas.
- f. **Mantenga las herramientas cortantes limpias y afiladas.** Las herramientas cortantes bien cuidadas con aristas de corte afiladas se atascan menos y se guían más fácilmente.
- g. **Utilice la herramienta eléctrica, las herramientas intercambiables, etc., de acuerdo con estas instrucciones. Para ello, tenga en cuenta las condiciones de trabajo y la actividad que debe realizar.** El uso de herramientas eléctricas en aplicaciones diferentes a las previstas puede dar lugar a situaciones peligrosas.
- h. **Mantenga las superficies de agarre y los mangos secos, limpios y libres de aceite y grasa.** Un mango o unas superficies de agarre resbaladizos no permiten un mane-

jo y control seguros de la herramienta eléctrica en situaciones imprevistas.

5 SERVICIO

- a. **Encargue la reparación de su herramienta eléctrica únicamente a personal técnico cualificado y solo con piezas de recambio originales.** De esta forma queda garantizada la seguridad de la herramienta eléctrica.
- b. **Utilice exclusivamente piezas originales para la reparación y el mantenimiento de la herramienta.** El uso de accesorios o piezas de recambio no previstos puede producir descargas eléctricas o lesiones.

3.2 Otras indicaciones de seguridad




- **Es imprescindible utilizar los equipos de protección individual adecuados:** protección de oídos, gafas de protección, mascarilla para trabajos que generen polvo.
- Para proteger su salud, utilice la protección respiratoria adecuada. En espacios cerrados procure una ventilación suficiente y conecte un sistema móvil de aspiración.
- **Al trabajar puede generarse polvo perjudicial/tóxico (p. ej., de pintura de plomo y de algunos tipos de madera).** El contacto o la inhalación de este polvo pueden suponer una amenaza para la persona que realiza el trabajo o para aquellas que se encuentren cerca. Observe las normativas de seguridad vigentes en su país. Conecte la herramienta eléctrica a un equipo de aspiración apropiado.
- **Utilice un interruptor diferencial o un transformador aislador cuando sea inevitable utilizar la herramienta eléctrica en un ambiente húmedo.** El interruptor diferencial/transformador aislador le protege frente a una electrocución que puede ser mortal en caso de que se produzca una descarga eléctrica.
- **¡Atención: peligro de incendio! Evitar un sobrecalentamiento del material de lijado y de la lijadora. Vaciar siempre el contenedor para polvo antes de las pausas en el trabajo.** En condiciones desfavorables, el polvo resultante del lijado acumulado en la bolsa filtrante o en el filtro del sistema móvil de aspiración puede inflamarse, p. ej., si se proyectan chispas al lijar metales. Se puede producir una situación especialmen-

te peligrosa si el polvo resultante del lijado se mezcla con restos de pintura o poliuretano, o bien con otras sustancias químicas, y el material de lijado está caliente después de un trabajo prolongado.

- Si durante el lijado se genera polvo explosivo o autoinflamable, deberán observarse las indicaciones del fabricante relativas al trabajo con dicho material.
- **Limpiar los medios de trabajo impregnados en aceite, como p. ej., almohadillas de lijado o fieltros de pulido, con agua y dejarlos secar.** Los medios de trabajo empapados en aceite pueden inflamarse.
- **Utilizar solo platos lijadores originales de Festool.** Los platos de otros fabricantes se pueden romper.
- No pueden utilizarse herramientas de lijado dañadas o desgastadas.
- **Tras la caída, comprobar si se han dañado la herramienta eléctrica y el plato lijador. Desmontar el plato lijador para realizar una comprobación exacta. Solicitar la reparación de las piezas deterioradas antes de usar la herramienta.** El plato lijador roto y las herramientas dañadas pueden provocar lesiones e incertidumbre al utilizar la máquina.

3.3 Polvos mezclados que contienen metal y lijado de superficies húmedas


 Cuando se genera polvo mezclado que contiene metal (p. ej., lijado de pintura el automóvil) y al lijar superficies húmedas se deben seguir las siguientes medidas por motivos de seguridad:

- Preconectar un interruptor diferencial (FI, PRCD).
- Conectar la máquina a un aparato de aspiración apropiado.
- Limpiar regularmente el polvo que se acumula en la carcasa del motor de la máquina.

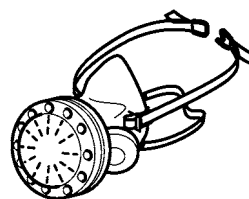


¡Utilizar gafas de protección!

3.4 Riesgos para la salud producidos por el polvo

 **ADVERTENCIA!** algunos polvos creados por lijadoras motorizadas, aserraderos, trituradores, perforadoras y otras actividades de construcción contienen sustancias químicas que se sabe (en el Estado de California) causan cáncer, defectos de nacimiento u otros daños al sistema reproductivo. Algunos ejemplos de estas sustancias químicas son:

- Plomo de las pinturas con base de plomo
- Sílice cristalino de los ladrillos y cemento y otros productos de mampostería, y
- Arsénico y cromo de madera tratada con sustancias químicas



El riesgo de exposición a estas sustancias varía, dependiendo de cuantas veces se hace este tipo de trabajo.

Para reducir el contacto con estas sustancias químicas:

trabaje en un área con buena ventilación y trabaje con equipo de seguridad aprobado, como mascarillas para el polvo diseñadas específicamente para filtrar partículas microscópicas.



ADVERTENCIA

PARA REDUCIR EL RIESGO DE LESIÓN, EL USUARIO DEBE LEER EL MANUAL DE INSTRUCCIÓN.

4 Uso conforme a lo previsto

Conforme a las especificaciones, las lijadoras están diseñadas para lijar madera, plástico, material compuesto, pintura/barniz, emplaste y materiales similares. Cuando se genera polvo mezclado que contiene metal (p. ej., lijado de pintura el automóvil) y al lijar superficies húmedas se deben tener en cuenta algunas indicaciones especiales de seguridad. Las lijadoras no son aptas para lijar metal. No trabaje con materiales que contengan amianto.



El usuario será responsable de cualquier utilización indebida.

5 Datos técnicos

Lijadora excéntrica	ETS EC 125/3 EQ
Potencia	3.6 A
Número de revoluciones (marcha en vacío)	6.000-10.000 min ⁻¹
Órbita	1/8" (3.0 mm)

Lijadora excéntrica	ETS EC 125/3 EQ
Plato lijador	Ø 5" (125 mm)
Peso	2.65 lbs (1.2 kg)

6 Descripción de las funciones

- [1-1]** Tecla de conexión/desconexión
- [1-2]** Regulación del número de revoluciones
- [1-3]** Plato lijador
- [1-4]** Conexión plug it
- [1-5]** Racor de aspiración
- [1-6]** Superficies de agarre con aislamiento (zona sombreada en gris)

Las imágenes con la dotación de suministro se encuentran en al comienzo de este manual de instrucciones.

7 Puesta en servicio



ADVERTENCIA

Tensión o frecuencia no permitida

Peligro de accidente

- La tensión de red y la frecuencia de la red eléctrica deben coincidir con los datos que figuran en la placa de tipo.
- En Norteamérica solo pueden utilizarse las máquinas Festool con una tensión de 120 V / 60 Hz.



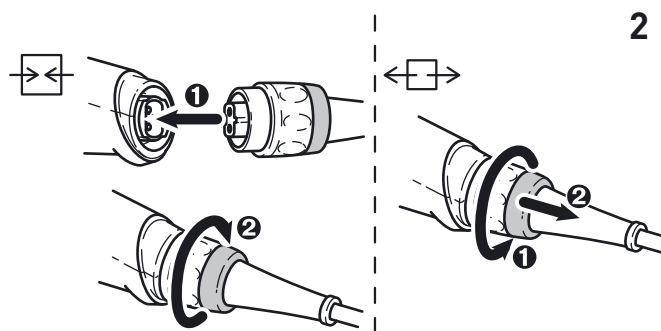
PRECAUCIÓN

Calentamiento de la conexión plug it porque el cierre de bayoneta no está completamente blo-queado

Peligro de quemaduras

- Antes de conectar la herramienta eléctrica, asegúrese de que el cierre de bayoneta del cable de conexión a la red eléctrica esté completamente cerrado y bloqueado.

Conexión y desconexión del cable de conexión a la red -, véase la imagen **[2]**.



7.1 Encendido y apagado

CONECTADO	Pulsar la tecla de conexión/desconexión [1-1]
DESCONECTADO	Pulsar la tecla de conexión/desconexión [1-1]

8 Ajustes



ADVERTENCIA

Peligro de lesiones y electrocución

- Desconectar el enchufe de la red antes de realizar cualquier trabajo en la máquina.

8.1 Sistema electrónico

Arranque suave

El arranque suave regulado electrónicamente garantiza un arranque sin sacudidas de la herramienta eléctrica.

Número de revoluciones constante

El número preseleccionado de revoluciones del motor se mantiene constante gracias a un sistema electrónico. De este modo se consigue una velocidad de lijado estable también bajo carga.

Reducción del número de revoluciones con grandes vibraciones

Si se producen grandes vibraciones y oscilaciones en la herramienta eléctrica, p. ej., durante la utilización con una Interface-Pad, el número de revoluciones se reduce automáticamente con el fin de preservar la herramienta eléctrica y al usuario.

Protector contra sobrettemperatura

Si la temperatura del motor es excesiva, se limita el consumo de potencia para proteger el motor frente a un sobrecalentamiento. En caso de que la temperatura siga aumentando, la herramienta eléctrica se desconecta. Solo puede volverse a conectar una vez enfriado el motor.

8.2 Regulación del número de revoluciones

El número de revoluciones se puede ajustar con la rueda de ajuste [1-2] entre 6.000 y 10.000 min⁻¹.

De esta forma, la velocidad de lijado se puede adaptar perfectamente a cada material (véase el capítulo 9).

8.3 Cambiar el plato lijador [3]

⚠ Solo se conseguirá un resultado óptimo si se utilizan los accesorios y material de consumo originales. Si no se instalan accesorios o material de consumo originales, se extinguirá el derecho a la garantía.

⚠ **¡Advertencia!** No realizar ninguna modificación en el interior de la máquina abierta si el plato lijador está desmontado.

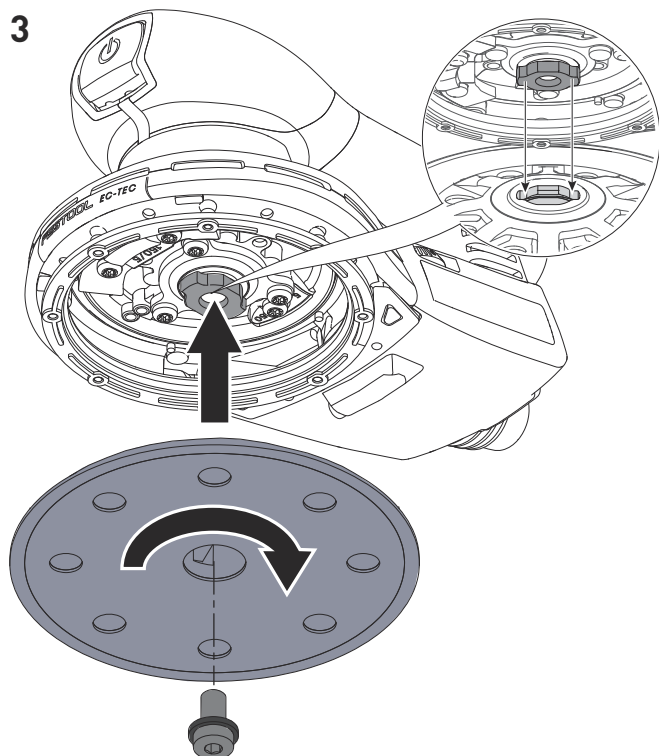
⚠ **Consecuencias perjudiciales para la salud:** El montaje de un plato lijador de tamaño incorrecto tiene como consecuencia un nivel de vibraciones de la máquina superior al admisible.

La máquina se puede equipar con platos lijadores de tres durezas diferentes adaptados a la superficie de trabajo.

Duro: lijado basto y lijado fino sobre superficies. Lijado de cantos.

Blando: Universal para el lijado basto y el lijado fino, para superficies planas y abombadas.

Superblando: Lijado fino de piezas preformadas, curvaturas, radios. ¡No lo aplique en cantos!



8.4 Fijación de los accesorios de lijado con StickFix [3B]

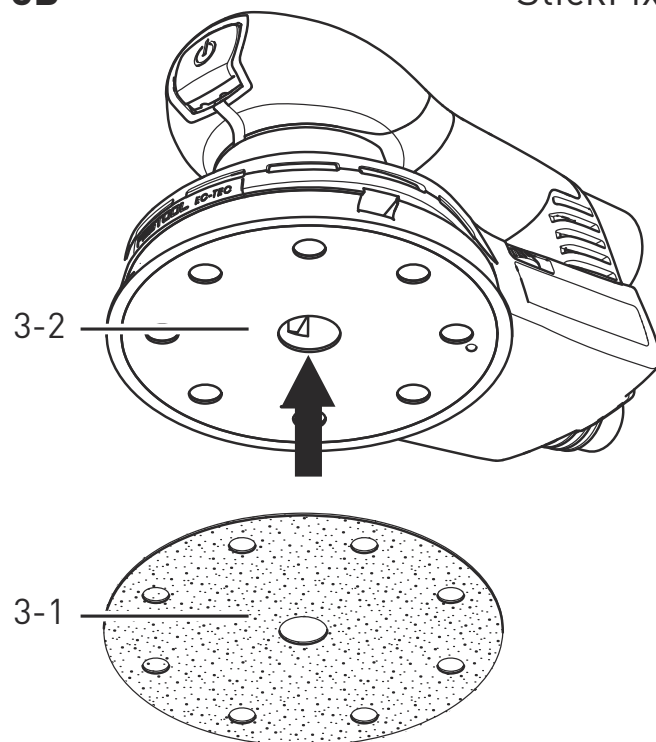
El abrasivo StickFix y el vellón de lijar StickFix correspondientes se pueden fijar de forma rápida y sencilla en el plato lijador StickFix.

► Presionar el accesorio de lijado autoadhesivo [3-1] sobre el plato [3-2] lijador.

⚠ En la medida que disminuye la adherencia de la capa StickFix, los accesorios de plato lijador (en especial en funcionamiento no acoplado) **pueden soltarse del plato lijador y provocar lesiones**. Cambiar el plato lijador.

3B

StickFix



8.5 Aspiración



ADVERTENCIA

Polvo perjudicial para la salud

Daños en las vías respiratorias

- No trabajar nunca sin sistema de aspiración.
- Observar las disposiciones nacionales.
- Utilice protección respiratoria.

En los racores de aspiración [1-5] puede conectarse un aspirador Festool con un diámetro de tubo flexible de aspiración de 1-1/16" (27 mm).

Recomendación: utilizar tubos flexibles de aspiración antiestáticos, pues reducen la carga electrostática.

9 Trabajo con la máquina



ADVERTENCIA

Peligro de lesiones

- Fije la pieza de trabajo siempre de forma que no se pueda mover cuando se trabaje con ella.

Tener en cuenta las siguientes advertencias:

- No sobrecargar la máquina aplicando demasiada presión. Los mejores resultados de lijado se consiguen con una presión de apriete moderada. La calidad y el rendimiento de lijado dependen fundamentalmente de la elección del abrasivo adecuado.
- Sujetar la máquina con ambas manos sobre la carcasa del motor y la cabeza del engranaje **[1-6]**.

Para los trabajos de lijado recomendamos los siguientes ajustes de la rueda de ajuste **[1-2]**:

Trabajos de lijado	Nivel de la rueda de ajuste
- Lijado con la máxima abrasión	5-6
- Lijado de pinturas antiguas	
- Lijado de madera y enchapado antes del barnizado	
- Lijado intermedio de barniz en superficies	
- Lijado de masilla tapaporos fina aplicada	4-5
- Lijado de madera con vellón de lijar	
- Achaflanado en piezas de madera	
- Alisado de superficies de madera imprimadas	
- Lijado de cantos de madera maciza y enchapada	3-4
- Lijado en el renvalso de ventanas y puertas	
- Lijado intermedio de barniz en cantos	
- Rectificado de ventanas de madera natural con vellón de lijar	
- Alisado de superficies de madera con vellón de lijar antes del barnizado	
- Eliminación de superficies decapadas con vellón de lijar	
- Eliminación o despegado de cal en pasta sobrante con vellón de lijar	

Trabajos de lijado	Nivel de la rueda de ajuste
--------------------	-----------------------------

- | | |
|--|-----|
| - Lijado intermedio de barniz en superficies barnizadas | 2-3 |
| - Limpieza de renvalso de ventanas de madera natural con vellón de lijar | |
| - Lijado de cantos barnizados | 1-2 |
| - Lijado de plásticos termoplásticos | |

9.1 Cable de prolongación

Si se necesita un cable de prolongación, este debe tener una sección transversal suficiente para evitar una caída excesiva de voltaje o un sobrecalentamiento. Una caída excesiva de voltaje reduce la potencia y puede ocasionar un fallo del motor. La siguiente tabla muestra el diámetro correcto del cable para esta herramienta en función de su longitud.

Dimensiones del cable en AWG

Amperaje de la herramienta	Longitud del cable en pies			
	25	50	100	150
3-6	18	16	16	14
6-8	18	16	14	12
8-10	18	16	14	12
10-12	16	16	14	12
12-16	14	12	-	-

Dimensiones del cable en mm²

Amperaje de la herramienta	Longitud del cable en metros			
	15	30	60	120
3-6	0.75	0.75	1.5	2.5
6-8	0.75	1.0	2.5	4.0
8-10	0.75	1.0	2.5	4.0
10-12	1.0	2.5	4.0	-
12-16	-	-	-	-

Usar solo cables de prolongación contemplados por el estándar NRTL.

No utilizar nunca dos cables de prolongación juntos. Utilizar uno largo en su lugar.

- ⓘ Cuanto más bajo sea el número AWG, más fuerte será el cable.

10 Mantenimiento y limpieza



ADVERTENCIA

Cualquier trabajo de mantenimiento o reparación que requiera abrir el motor o la carcasa del engranaje deberá ser realizado únicamente por un Centro de Atención al Cliente (nombre proporcionado por su concesionario).

- ▶ Los trabajos de mantenimiento o reparación realizados por una persona no autorizada podrían provocar la conexión incorrecta de los conductores de alimentación u otros componentes, lo que a su vez podría provocar accidentes con consecuencias graves.



ADVERTENCIA

Para prevenir los accidentes, antes de realizar cualquier trabajo de mantenimiento o reparación en la máquina retire siempre el enchufe de la toma de corriente.

- ▶ No utilice aire a presión para limpiar las herramientas eléctricas. No intente limpiar las partes internas de la máquina de este modo, ya que podría permitir la entrada de objetos extraños a través de las aperturas de la carcasa de la máquina.



PRECAUCIÓN

Algunos productos de limpieza y disolventes resultan perjudiciales para las piezas de plástico.

- ▶ Algunos de ellos incluyen, entre otros, gasolina, acetona, metiletilcetona (MEK) y oxocloruro de carbono. Los productos de limpieza normalmente contienen cloro y amoníaco y los productos de limpieza del hogar contienen amoníaco.



El servicio de atención al cliente y de reparaciones solo está disponible a través del fabricante o de los talleres de reparación. Dirección más cercana en: www.festoolusa.com/service

www.festoolusa.com/service

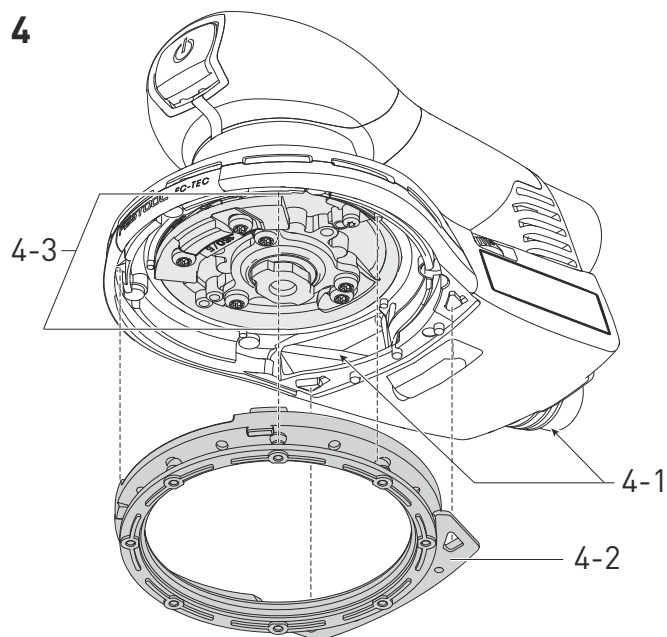


Utilice únicamente piezas de recambio Festool originales. Referencia en: www.festoolusa.com/service

- A fin de garantizar una correcta circulación del aire, las aberturas para el aire de refri-

geración dispuestas en la carcasa del motor deben mantenerse libres y limpias.

- En caso de disminución del rendimiento o de aumento de las vibraciones, soplar y limpiar las aberturas para el aire de refrigeración.



10.1 Limpieza de los canales de aspiración

Recomendamos limpiar los canales de aspiración de la máquina [4-1] aproximadamente una vez por semana (sobre todo al lijar espátula con resina artificial, con afilado húmedo o de yeso) con un pequeño cepillo plano o un paño.

10.2 Limpieza de zonas interiores

Limpiar con regularidad el interior de la herramienta eléctrica en el lado inferior del ventilador [4-3]; de lo contrario, pueden empeorar los valores de vibración debido a las adherencias de polvo.

10.3 Cambio del plato lijador y del freno de plato

El manguito de goma [4-2] roza el plato lijador e impide que aumente de forma incontrolada el número de revoluciones del plato lijador. Debido a los pasadores metálicos engastados, el freno de plato no tiene prácticamente desgaste. A medida que vaya disminuyendo el efecto de frenado, comprobar primero el desgaste del plato lijador y sustituir si es preciso. Sustituir el freno de plato/manguito de goma dañado.

11 Accesorios

Utilice únicamente los accesorios Festool originales y el material de consumo Festool diseñados para esta máquina, puesto que los componentes de este sistema están óptimamente adaptados entre sí. La utilización de accesorios

y material de consumo de otros fabricantes puede afectar a la calidad de los resultados de trabajo y conllevar una limitación de los derechos de la garantía. El desgaste de la máquina o de su carga personal puede variar en función de la aplicación. Utilice únicamente accesorios originales y material de consumo de Festool para su propia protección y la de la máquina, así como de los derechos de la garantía.

Los números de pedido para los respectivos accesorios y herramientas se encuentran en su catálogo Festool o en la dirección de Internet "www.festoolusa.com".

11.1 SYSTAINER

Systainer

Muchos de los productos Festool se entregan en un embalaje exclusivo denominado "Systainer" que sirve de protección a la herramienta y sus complementos, además de facilitar su almacenamiento. Los Systainer pueden apilarse y encajan unos con otros. Además se adaptan sin problema a cualquier aparato de aspiración CT de Festool.

Para abrir el Systainer



Gire el T-loc **[SYS-b-1]** a esta posición.

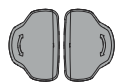
Para cerrar el Systainer



Gire el T-loc **[SYS-b-1]** a esta posición.

Para encajar dos Systainer

Ponga el Systainer sobre un otro **[SYS-a]**.

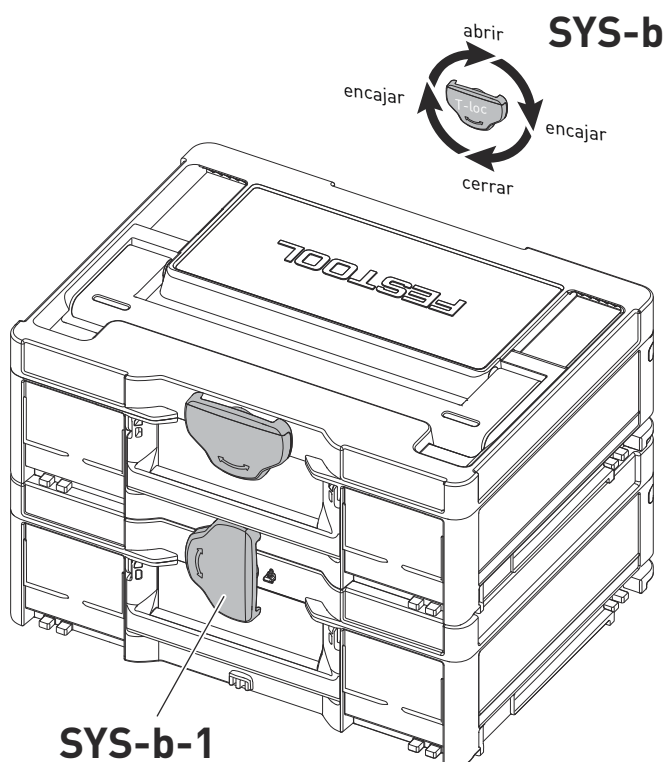
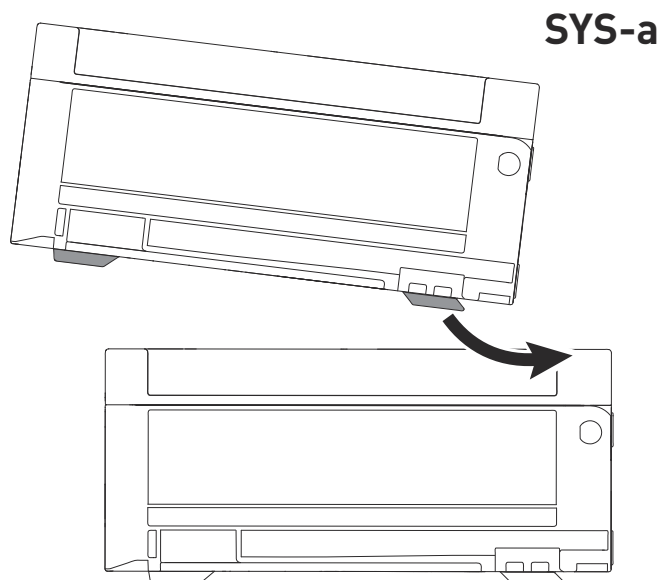


Gire el T-loc **[SYS-b-1]** a una de estas posiciones (Fig. **[SYS-b]**).

Los Systainers están encajados y cerrados.

i El Systainer Classic Line se puede unir por la parte inferior con un Systainer T-Loc o con un Systainer³ por medio de sus cuatro enclavamientos

El Systainer T-Loc se puede unir por abajo o por arriba con un Systainer³.



12 Medio ambiente

No deseches la herramienta junto con los residuos domésticos. Recicle las herramientas, accesorios y embalajes de forma respetuosa con el medio ambiente. Respete la normativa vigente del país.

13 Observaciones generales

13.1 Información relativa a la protección de datos

La herramienta eléctrica contiene un chip que almacena automáticamente los datos de servicio y de la máquina. Los datos guardados no pueden estar directamente relacionados con ninguna persona.

Los datos pueden leerse sin contacto con dispositivos especiales, y Festool los utiliza exclusivamente para el diagnóstico de fallos, la gestión de las reparaciones y de la garantía, así como para la mejora de la calidad o el perfeccionamiento de la herramienta eléctrica. Los datos no se utilizan para otros fines sin el consentimiento expreso del cliente.