

en	Original Instructions - Gear-driven eccentric sander	6
fr	Notice d'utilisation d'origine - Ponceuses roto-excentriques	17
es	Manual de instrucciones original de la lijadora excéntrica de engranaje	30



Read all instructions before using  
Lire toutes les instructions avant de démarrer les travaux.  
Lea y comprende todas las instrucciones antes de usar.

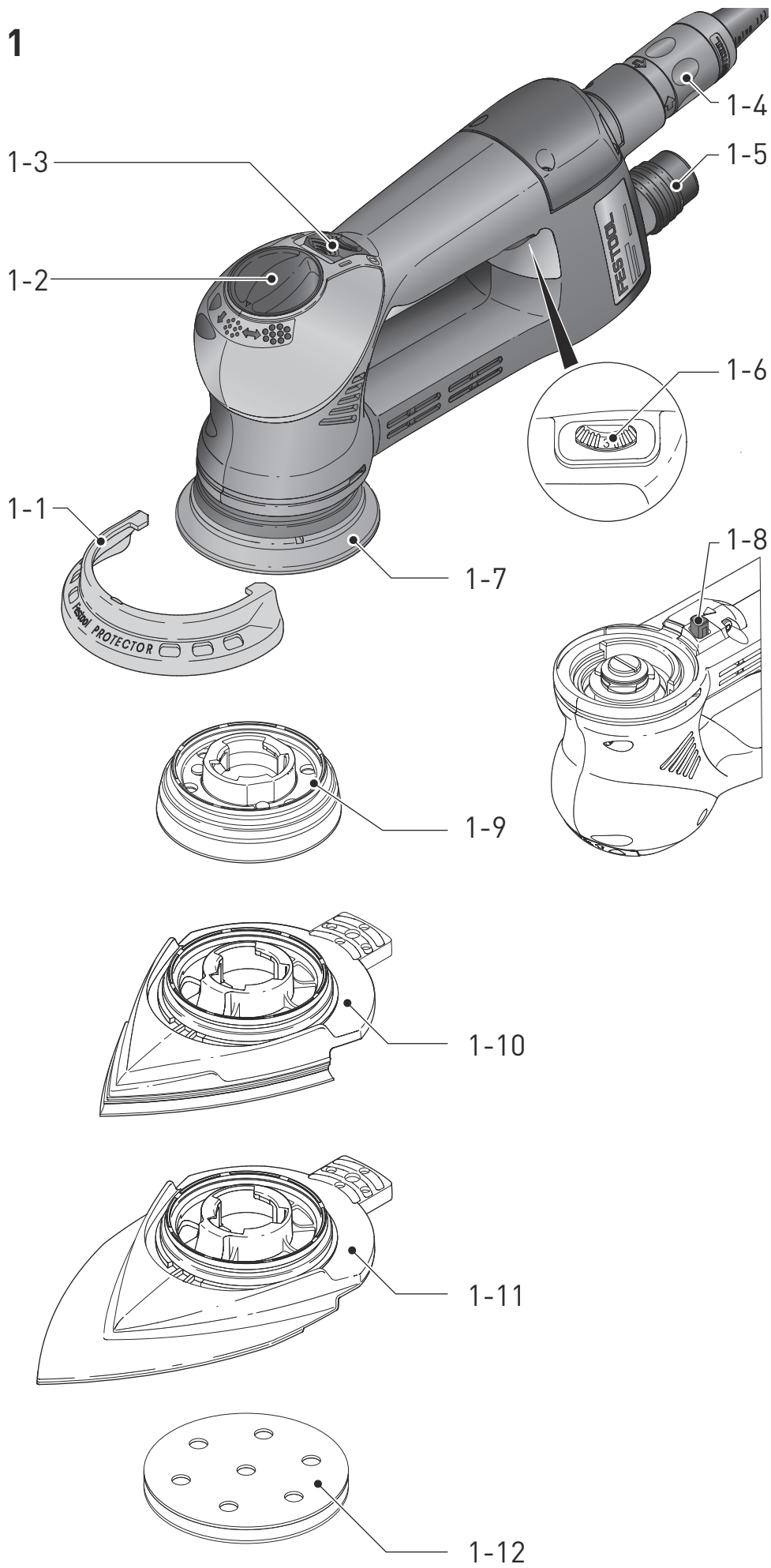


## ROTEX RO 90 DX FEQ














## Contents

1	About this manual.....	6
2	Symbols.....	6
3	Safety warnings.....	6
4	Intended use.....	8
5	Technical data.....	9
6	Parts of the machine.....	9
7	Operation.....	9
8	Settings.....	9
9	Working with the machine.....	13
10	Service and maintenance.....	14
11	Accessories.....	15
12	Environment.....	16

## 1 About this manual







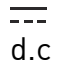

### Save these instructions

It is important for you to read and understand this manual. The information it contains relates to protecting **your safety** and **preventing problems**. The symbols below are used to help you recognize this information.

	<b>DANGER</b>	Description of imminent hazard and failure to avoid hazard will result in death.
	<b>WARNING</b>	Description of hazard and possible resulting injuries or death.
	<b>CAUTION</b>	Description of hazard and possible resulting injuries.
	<b>NOTICE</b>	Description of possible damage of the device or its surroundings.


## 2 Symbols

	Warning of general danger
	Warning of electric shock
	Read the operating manual and safety instructions.
	Wear ear protection.
	Wear a dust mask.
	Wear protective goggles.
	Pull out the mains plug

	Connecting the mains power cable
	Disconnecting the mains power cable
	Tip or advice
	Handling instruction
	Safety class II
	diameter
V	volts
W	watt
Hz	hertz
~	alternating current
	direct current
n <sub>0</sub>	no load speed
rpm	revolutions per minute
min <sup>-1</sup>	revolutions per minute
"	inch
lb.	pound
°	angular degree
	The numbers in the figures indicate in which order you should follow the steps.

## 3 Safety warnings

### 3.1 General power tool safety warnings

 **WARNING! Read all safety warnings, instructions, illustrations and specifications provided with this power tool.** Failure to follow all instructions listed below may result in electric shock, fire and/or serious injury.  
**Save all warnings and instructions for future reference.**

The term "power tool" in the warnings refers to your mains-operated (corded) power tool or battery-operated (cordless) power tool.

#### 1 WORK AREA SAFETY

- Keep work area clean and well lit.** Cluttered or dark areas invite accidents.
- Do not operate power tools in explosive atmospheres, such as in the presence of flammable liquids, gases or dust.** Power tools create sparks which may ignite the dust or fumes.

- c. **Keep children and bystanders away while operating a power tool.** Distractions can cause you to lose control.

## 2 ELECTRICAL SAFETY

- a. **Power tool plugs must match the outlet. Never modify the plug in any way. Do not use any adapter plugs with earthed (grounded) power tools.** Unmodified plugs and matching outlets will reduce risk of electric shock.
- b. **Avoid body contact with earthed or grounded surfaces, such as pipes, radiators, ranges and refrigerators.** There is an increased risk of electric shock if your body is earthed or grounded.
- c. **Do not expose power tools to rain or wet conditions.** Water entering a power tool will increase the risk of electric shock.
- d. **Do not abuse the cord. Never use the cord for carrying, pulling or unplugging the power tool. Keep cord away from heat, oil, sharp edges or moving parts.** Damaged or entangled cords increase the risk of electric shock.
- e. **When operating a power tool outdoors, use an extension cord suitable for outdoor use.** Use of a cord suitable for outdoor use reduces the risk of electric shock.
- f. **If operating a power tool in a damp location is unavoidable, use a residual current device (RCD) protected supply.** Use of an RCD reduces the risk of electric shock.

## 3 PERSONAL SAFETY

- a. **Stay alert, watch what you are doing and use common sense when operating a power tool. Do not use a power tool while you are tired or under the influence of drugs, alcohol or medication.** A moment of inattention while operating power tools may result in serious personal injury.
- b. **Use personal protective equipment. Always wear eye protection.** Protective equipment such as a dust mask, non-skid safety shoes, hard hat or hearing protection used for appropriate conditions will reduce personal injuries.
- c. **Prevent unintentional starting. Ensure the switch is in the off-position before connecting to power source and/or battery pack, picking up or carrying the tool.** Carrying power tools with your finger on the switch or energising power tools that have the switch on invites accidents.

- d. **Remove any adjusting key or wrench before turning the power tool on.** A wrench or a key left attached to a rotating part of the power tool may result in personal injury.
- e. **Do not overreach. Keep proper footing and balance at all times.** This enables better control of the power tool in unexpected situations.
- f. **Dress properly. Do not wear loose clothing or jewellery. Keep your hair and clothing away from moving parts.** Loose clothes, jewellery or long hair can be caught in moving parts.
- g. **If devices are provided for the connection of dust extraction and collection facilities, ensure these are connected and properly used.** Use of dust collection can reduce dust-related hazards.
- h. **Do not let familiarity gained from frequent use of tools allow you to become complacent and ignore tool safety principles.** A careless action can cause severe injury within a fraction of a second.

## 4 POWER TOOL USE AND CARE

- a. **Do not force the power tool. Use the correct power tool for your application.** The correct power tool will do the job better and safer at the rate for which it was designed.
- b. **Do not use the power tool if the switch does not turn it on and off.** Any power tool that cannot be controlled with the switch is dangerous and must be repaired.
- c. **Disconnect the plug from the power source and/or remove the battery pack, if detachable, from the power tool before making any adjustments, changing accessories, or storing power tools.** Such preventive safety measures reduce the risk of starting the power tool accidentally.
- d. **Store idle power tools out of the reach of children and do not allow persons unfamiliar with the power tool or these instructions to operate the power tool.** Power tools are dangerous in the hands of untrained users.
- e. **Maintain power tools and accessories. Check for misalignment or binding of moving parts, breakage of parts and any other condition that may affect the power tool's operation. If damaged, have the power tool repaired before use.** Many accidents are caused by poorly maintained power tools.

- f. **Keep cutting tools sharp and clean.** Properly maintained cutting tools with sharp cutting edges are less likely to bind and are easier to control.
- g. **Use the power tool, accessories and tool bits etc. in accordance with these instructions, taking into account the working conditions and the work to be performed.** Use of the power tool for operations different from those intended could result in a hazardous situation.
- h. **Keep handles and grasping surfaces dry, clean and free from oil and grease.** Slippery handles and grasping surfaces do not allow for safe handling and control of the tool in unexpected situations.

## 5 SERVICE

- a. **Have your power tool serviced by a qualified repair person using only identical replacement parts.** This will ensure that the safety of the power tool is maintained.
- b. **Only use original Festool parts for repair and maintenance.** The use of incompatible accessories or spare parts can result in electric shocks or other injuries.

### 3.2 Machine-specific safety notices

- **Harmful/toxic dust may be produced during your work (e.g. paint containing lead, certain types of wood and metal).** Contact with or inhalation of this dust may pose a risk for the operating personnel or persons in the vicinity. Comply with the safety regulations that apply in your country. Connect the power tool to a suitable dust extractor.



- Wear a P2 respiratory mask to protect your health.



- Always wear protective goggles to protect against sanding hazards.
- If potentially explosive or self-igniting dust is produced during sanding, the machining instructions issued by the material manufacturer must always be followed.
- **Prevent liquid polishing agent (polish) from penetrating the tool.** The penetration of liquid polishing agent (polish) into the power tool increases the risk of electric shock.
- **If the power tool is dropped or falls, check for damage to the machine and sanding pad. Remove the sanding pad for closer inspection. Have the damaged parts re-**

**paired before use.** Broken sanding pads and damaged machines can cause injuries and machine instability.

### 3.3 Metal processing



When processing metal, the following measures must be taken for safety reasons:

- Install an upstream residual-current circuit breaker (FIG, PRCD).
- Connect the machine to a suitable dust extractor.
- Regularly remove dust deposits from the motor housing of the machine by blowing.



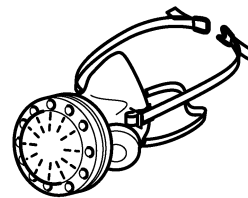
Wear protective goggles.

### 3.4 Health hazard by dust



**WARNING!** various dust created by power sanding, sawing, grinding, drilling and other construction activities contains chemicals known (to the State of California) to cause cancer, birth defects or other reproductive harm. Some examples of these chemicals are:

- lead from lead-based paints,
- crystalline silica from bricks and cement and other masonry products, and
- arsenic and chromium from chemically treated lumber.



The risk from these exposures varies, depending on how often you do this type of work. To reduce your exposure to these chemicals: work in a well ventilated

area, and work with approved safety equipment, such as dust masks that are specially designed to filter out microscopic particles. Wash hands after handling.



## WARNING

**TO REDUCE THE RISK OF INJURY, USER MUST READ INSTRUCTION MANUAL.**


## 4 Intended use

As specified, the machines is designed for sanding and polishing plastic, metal, wood, composite materials, paint/clear coats, filler and similar materials. Materials containing asbestos must not be processed.

To guarantee electrical safety, the machine must not be damp or operated in a damp envi-



ronment. The machine must only be used for dry sanding.

 The user is liable for improper or non-intended use.

## 5 Technical data

Geared eccentric sander	RO90 DX FEQ
Power	400 W
Speed	
Eccentric motion	3000 - 7000 min <sup>-1</sup>
Rotex rotary motion	220 - 520 min <sup>-1</sup>
Sanding stroke	0.12" (3.0 mm)
FastFix sanding pad dia.	3.54" (90 mm)
Weight as per EPTA procedure 01:2014	3.2 lbs (1.45 kg)

## 6 Parts of the machine

- [1-1]** Protector
- [1-2]** Selector switch/spindle stop
- [1-3]** On/off switch
- [1-4]** Mains power cable
- [1-5]** Extractor connector
- [1-6]** Speed control
- [1-7]** Sanding pad
- [1-8]** Stop rod
- [1-9]** Polishing pad\*
- [1-10]** Delta sanding pad
- [1-11]** Slat sanding pad\*
- [1-12]** Interface pad\*

\* Accessories shown or described are not always included in the scope of delivery.

The pictures for the functional description are on a fold-out page at the beginning of the instruction manual. While reading the manual you can fold out the page for comparison and quick reference.

## 7 Operation



### WARNING

#### Unauthorised voltage or frequency.

##### Risk of accidents

- ▶ The mains voltage and the frequency of the power source must correspond to the specifications on the machine's name plate.
- ▶ In North America, only Festool machines with the voltage specifications 120 V/60 Hz must be used.



### CAUTION

#### Heating of the Plug it connection if bayonet fitting is not completely locked

##### Risk of burns

- ▶ Before switching on the power tool, make sure that the bayonet fitting at the mains cable is closed fully and locked.

Connecting and disconnecting the mains power cable **[1-4]** see fig. **[2]**.

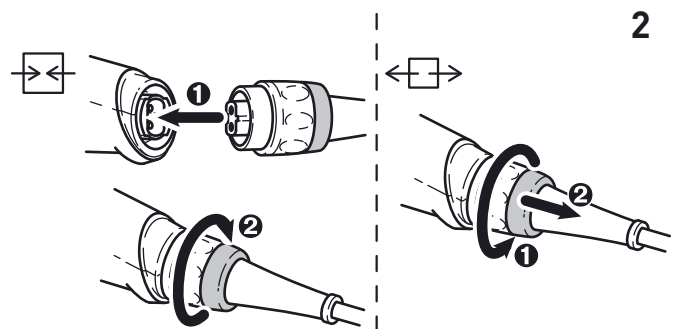
The switch **[1-3]** serves as an on/off switch (I = ON, 0 = OFF).



The on switch can only be actuated if the selector switch **[1-2]** is locked in place.



In case of a power failure or if the mains connector is removed, move the on/off switch immediately to the Off position. This prevents uncontrolled restarting.



## 8 Settings



### WARNING

#### Risk of injury, electric shock

- ▶ Always disconnect the mains plug from the socket before performing any work on the machine.

## 8.1 Electronics

The machine features full-wave phase control electronics with the following features:

### Smooth start-up

The electronically controlled smooth start-up ensures that the machine starts up jolt-free.

### Speed control

You can regulate the speed steplessly with the adjusting wheel [1-6] in the speed range (see ). This enables you to optimise the cutting speed to suit the surface (see table).

### Constant speed

The preselected motor speed is maintained on a constant level. Electronic controls ensure a steady cutting speed even when operating under different loads.

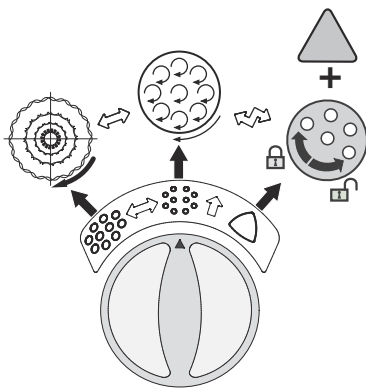
### Temperature cut-out

The machine power supply is limited and the speed reduced if the motor exceeds a certain temperature. The machine continues operating at reduced power to allow the ventilator to cool the motor quickly. If the machine temperature exceeds the maximum permitted value for longer periods, the machine switches off completely after approx. 40 seconds and can only be switched on again once the motor has cooled sufficiently.

## 8.2 Setting sanding motion [3]

The change-over switch [1-2] can be used to set three different sanding motions.

**i** This change-over can only be carried out with the sanding pad stationary because the switch is locked during operation.



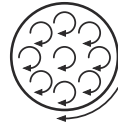
3

### Coarse sanding, polishing - ROTEX rotary motion



The Rotex rotary motion is a combination of rotary and eccentric motions. This position is selected for sanding with high output (coarse sanding) and polishing.

### Fine sanding - eccentric motion



This position is selected for sanding with low output for a scratch-free surface (fine sanding).

### Triangular sanding and pad change [4]



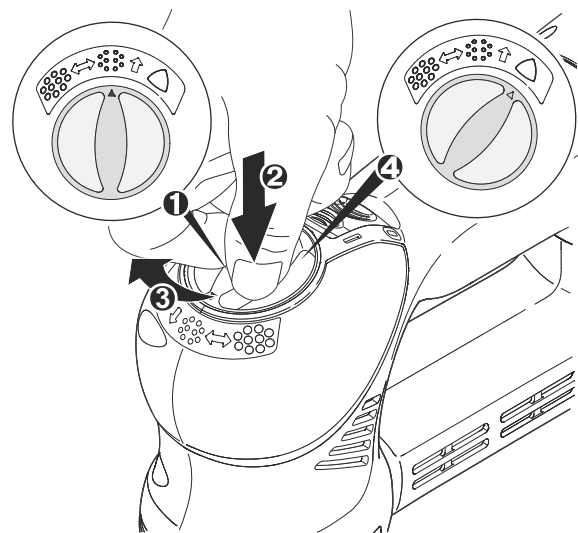
This position is used for sanding with the delta sanding pad and slat sanding pad; the rotary motion is blocked.



You can change the sanding pad in this position.



The stop rod [1-8] blocks the installation of the sanding pad in the change-over switch positions ROTEX rotary motion and eccentric motion.



4

## 8.3 Changing sanding/polishing pad [5]



Only use sanding and polishing pads that are suitable for the maximum speed specified.

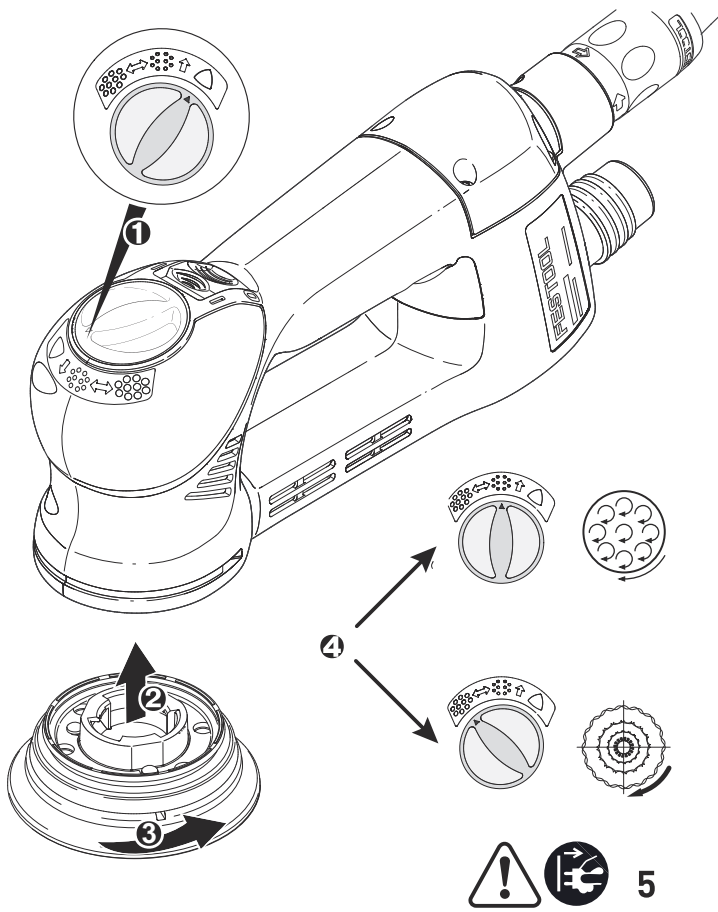
Tuned to the surface being processed, the machine can be equipped with two sanding pads of different hardnesses.

**Hard:** Coarse and fine sanding on surfaces. Sanding edges.

**Soft:** Universal for coarse and fine sanding, for flat and convex surfaces.

When the interface pad [1-12] is fitted on the sanding pad, strength is reduced = extra soft.

- ▶ Following the sanding pad change, switch the change-over switch [1-2] to the desired sanding motion.



2

3

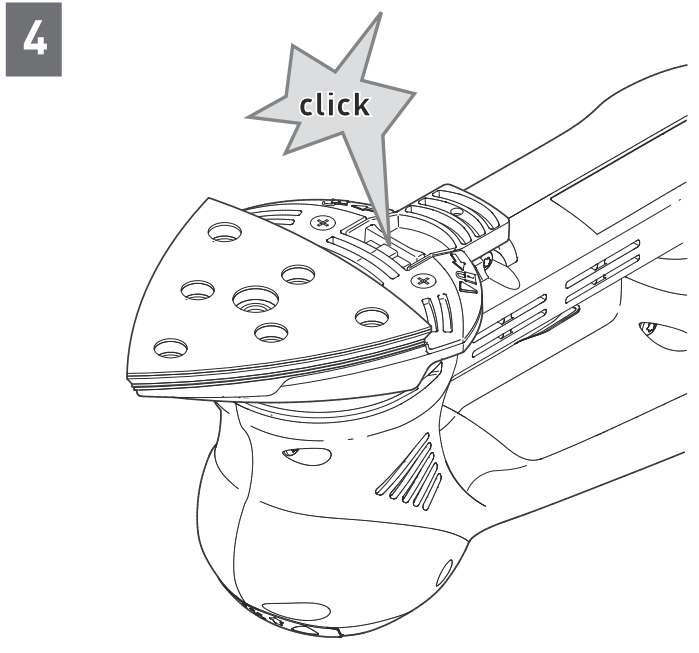
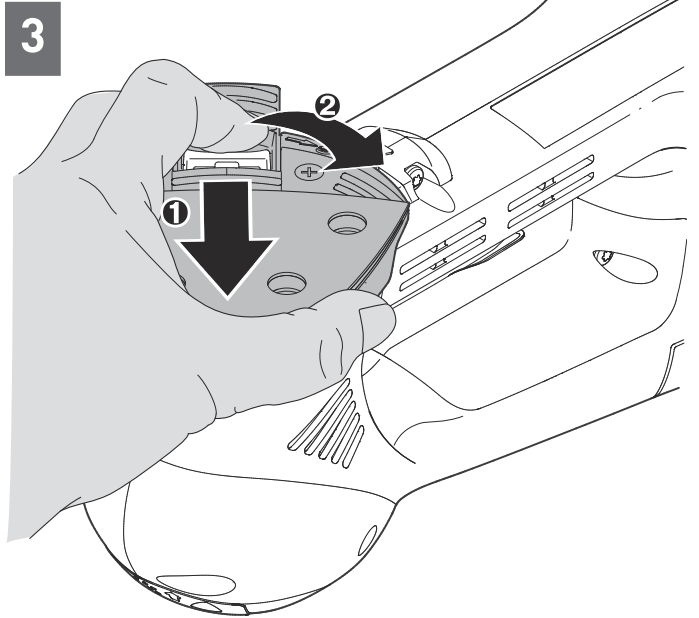
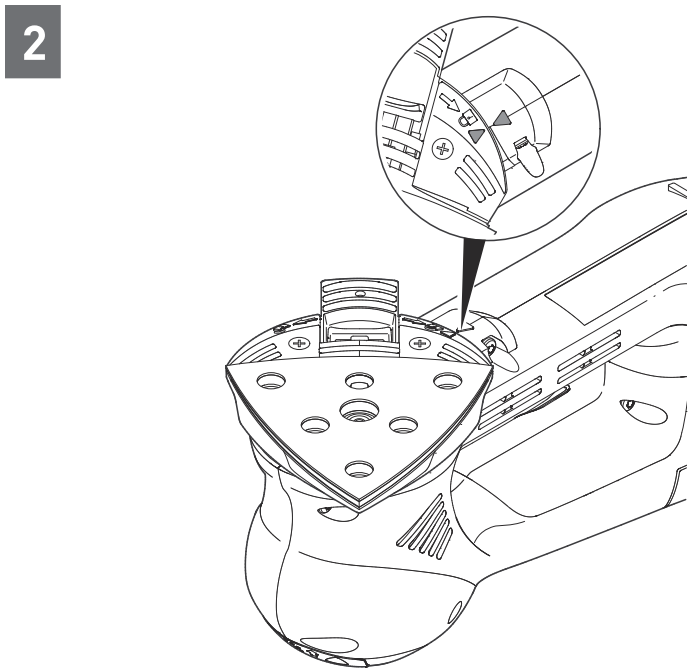
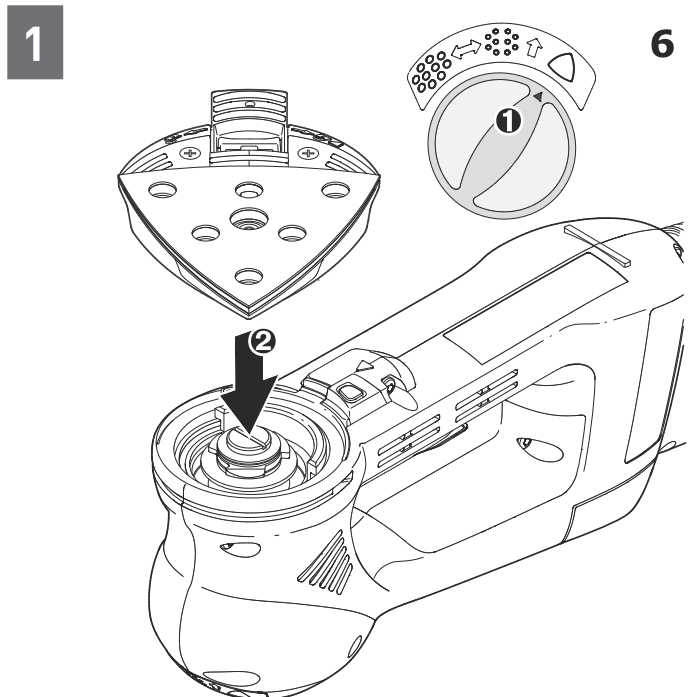
4

### 8.4 Changing sanding pad [6]

The delta sanding pad DSS-GE-STF-R090 can be used for sanding close to borders, in corners or on edges. The slat sanding pad LSS-STF-R090 can be used for sanding in narrow gaps, e.g. louvres.

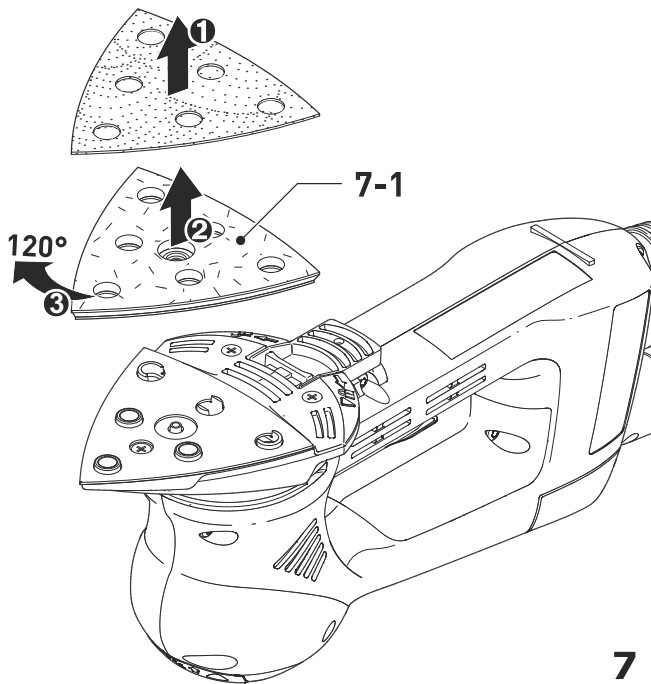
#### Observe the following instructions:

Work in corners and on edges tends to subject the tip to increased stress and results in increased heat development. In such cases, work with reduced contact pressure.



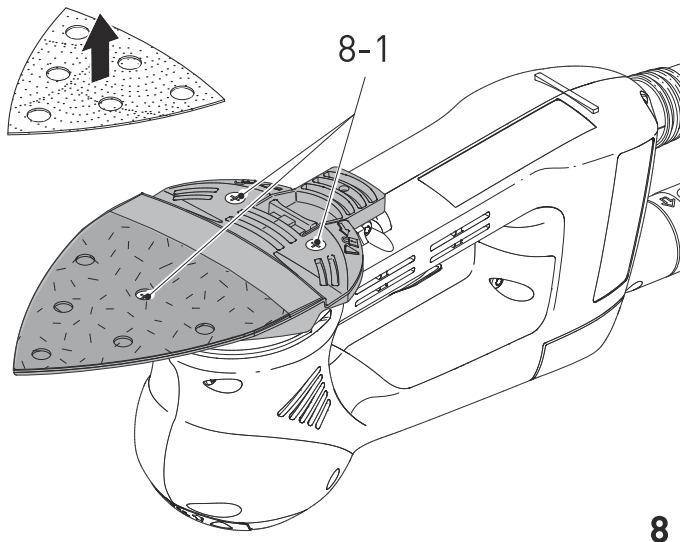
### Delta sanding pad DSS-GE-STF-R090 [7]

If the front tip of the StickFix pad [7-1] of your delta sanding pad is worn, take it off and turn it 120°.



### Slat sanding pad LSS-STF-R090 [8]


If the StickFix coating of the slat sanding pad is worn, the complete table can be replaced. Open the screws to do this [8-1].



### 8.5 Attaching sanding accessories

The suitable StickFix sandpaper and StickFix sanding cloth can be attached quickly and simply to the StickFix sanding pad.

- ▶ Press the self-adhesive sanding accessory onto the sanding pad [1-7].

 Use only abrasives with an undamaged Stickfix hook-and-loop coating. Before use, check that the coating has not been damaged by improper use (such as overheating).

### 8.6 Attaching polishing accessories

To prevent damage, PoliStick accessories (polishing sponges, polishing felt, sheepskin) must only be used on the special polishing pad.

- ▶ Press the self-adhesive polishing accessory onto the sanding pad [1-9].

### 8.7 Dust extraction



#### WARNING

##### Dust hazard

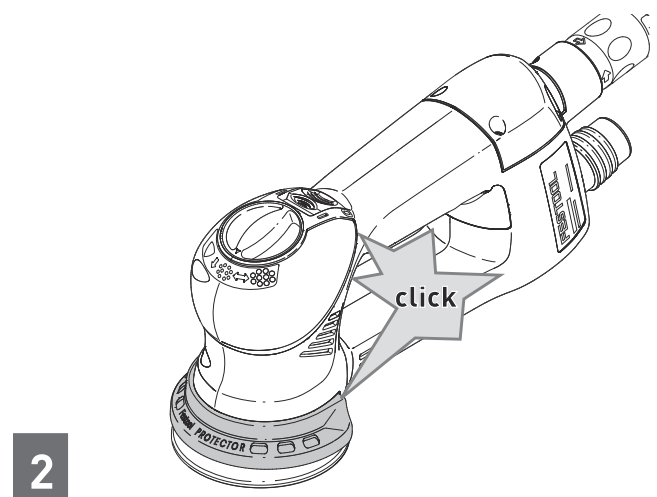
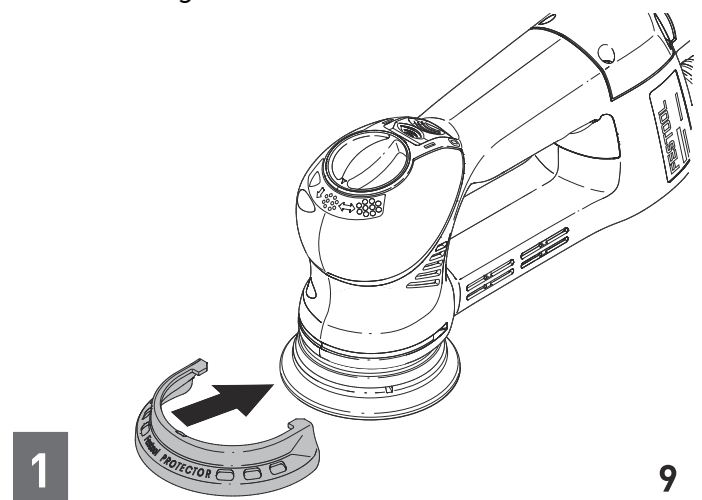
- ▶ Dust can be hazardous to health. Always work with a dust extractor.
- ▶ Always read applicable national regulations before extracting hazardous dust.

At the extractor connector [1-5], a Festool mobile dust extractor with an extraction hose diameter of 27 mm can be connected.

**Recommendation:** Use an antistatic extractor hose. This helps reduce the electric charge.

### 8.8 Edge protector [9]

The edge protector [1-1] reduces contact of the sanding pad circumference with a surface (e.g. when sanding along a wall or a window), thus preventing back-kick of the machine, or machine damage.



## 9 Working with the machine



### WARNING

#### Risk of injury

- ▶ Always secure the workpiece in such a manner that it cannot move while being machined.

#### Observe the following instructions:

- Do not overload the machine by pressing with excessive force! The best sanding re-

sults are achieved with moderate application pressure. The sanding capacity and quality are mainly dependent on the selection of the correct abrasive.

- Hold the machine with two hands, one on the motor housing and one on the gear head.




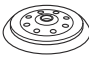

Tables A and B show the settings we recommend for different sanding and polishing work.

### 9.1 Table A – Sanding

		Coarse sanding				Fine sanding			
	Clear coat, filler, priming material	X		5-6	Soft	X	1-3		Ultra-soft
	Clear coat, paint	X		5-6	Hard	X	3-6		Hard
	Wood, veneered surface	X		5-6	Hard	X	3-6		Soft
	Plastic	X	X	1-4	Soft	X	1-4		Soft/ultra-soft
	Steel, copper, aluminium	X		6	Soft	X	3-6		Soft
	VOC clear coats					X	2-4		Ultra-soft-hard

### 9.2 Table B – Polishing

			Polishing	Sealing	Polishing to a high-gloss finish
Varnish			6	3	4-6
			Pad Coarse/fine	Pad Fine/honeycombed	Sheepskin
			Polishing paste	Hard wax	-

		Polishing	Sealing	Polishing to a high-gloss finish
Plastic 		6	3	6
		Felt pads Hard	Felt pads Soft	Sheepskin
		Polishing paste	Hard wax	-

### 9.3 Extension Cord

If an extension cord is required, it must have sufficient cross-section to prevent an excessive drop in voltage or overheating. An excessive drop in voltage reduces the output and can lead to failure of the motor. The table below shows you the correct cord diameter as a function of the cord length for this tool.

**Tab. 9.1: Cord Size in A.W.G**

Tool's Ampere Rating	Cord Length in Feet			
	25	50	100	150
3-6	18	16	16	14
6-8	18	16	14	12
8-10	18	16	14	12
10-12	16	16	14	12
12-16	14	12	-	-

**Tab. 9.2: Wire Sizes in mm<sup>2</sup>**

Tool's Ampere Rating	Cord Length in Meters			
	15	30	60	120
3-6	0.75	0.75	1.5	2.5
6-8	0.75	1.0	2.5	4.0
8-10	0.75	1.0	2.5	4.0
10-12	1.0	2.5	4.0	-
12-16	-	-	-	-

Use only U.L. and CSA listed extension cords. Never use two extension cords together. Instead, use one long one.



The lower the AWG number, the stronger the cord.

## 10 Service and maintenance



### WARNING

**Any maintenance or repair work that requires opening of the motor or gear housing should only be carried out by an authorised Customer Service Centre (name supplied by your dealer)!**

- Maintenance or repair work carried out by an unauthorised person can lead to the wrong connection of the power cord or other components, which in turn can lead to accidents with serious consequences.



### WARNING

**To prevent accidents, always remove the plug from the power supply socket before carrying out any changes or maintenance work on the tool!**

- Do not use compressed air to clean the electrical tool! Do not try to clean parts inside the tool in this way, as you could let foreign objects in through the openings of the tool housing.



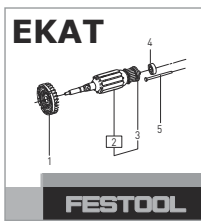
### CAUTION

**Certain cleaning agents and solvents are harmful to plastic parts.**

- Some of these include, but are not limited to: Gasoline, Acetone, Methyl Ethyl Ketone (MEK), Carbonyl Chloride, cleaning solutions containing Chlorine, Ammonia, and household cleaners containing Ammonia.



**Customer service and repairs** must only be carried out by the manufacturer or service workshops. Find the nearest address at: [www.festoolusa.com/service](http://www.festoolusa.com/service)



Always use original Festool spare parts. Order no. at: [www.festoolusa.com/service](http://www.festoolusa.com/service)

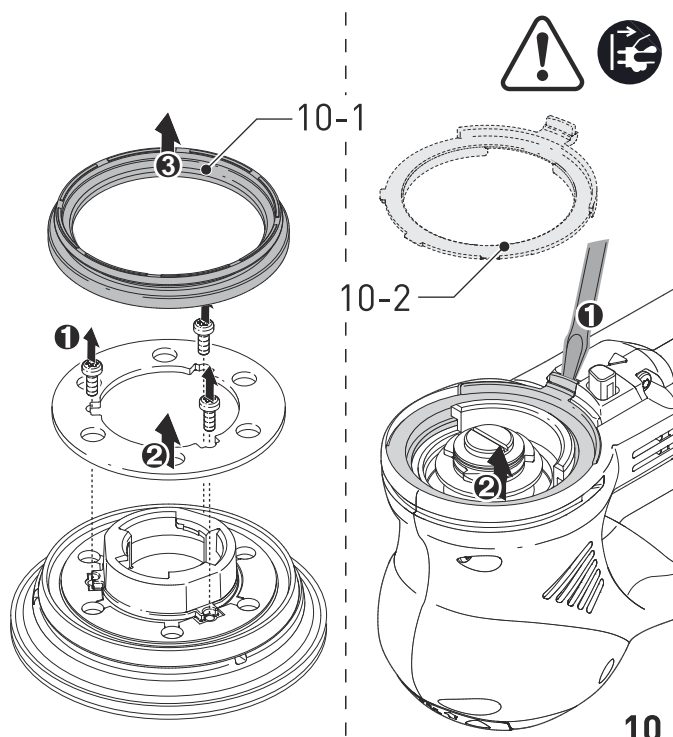
To ensure constant air circulation, always keep the cooling air openings in the motor housing clean and free of blockages.

The tool is equipped with special self-disconnecting carbon brushes. If they wear out, the power supply is disconnected automatically and the tool stops.

Check all warnings on the electric power tool for readability and completeness. Replace missing or illegible warnings.

### 10.1 Sanding pad brake

The rubber collar **[10-1]** on the sanding pad and the stop ring **[10-2]** on the machine prevent uncontrolled excessive turning of the sanding pad during eccentric motion (fine sanding). As these parts are subject to wear in the course of time, they must be replaced when reduced braking force is observed (for order no., see spare parts list).



## 11 Accessories

Use only original Festool accessories and Festool consumable material intended for this machine. These components are designed specifically for this machine. Using accessories and consumable material from other suppliers will most likely affect the quality of your results

and limit warranty claims. Machine wear or your own personal workload may increase depending on the application. Protect yourself and your machine, and preserve your warranty claims by always using original Festool accessories and Festool consumable material!

Only use original Festool sanding and polishing pads. Low-quality sanding and polishing pads may cause serious machine imbalance that decreases the quality of the working results and increases machine wear.


The order numbers of the accessories and tools can be found in the Festool catalogue or on the Internet under "[www.festoolusa.com](http://www.festoolusa.com)".

### 11.1 SYSTAINER


#### Systainer

Many Festool products are shipped in a unique system container, called "Systainer". This provides protection and storage for the tool and accessories. The Systainers are stackable and can be interlocked together. They also can be interlocked atop Festool CT dust extractors.

#### To open the Systainer

 Turn the T-loc **[SYS-b-1]** to this position.

#### To lock the Systainer


 Turn the T-loc **[SYS-b-1]** to this position.

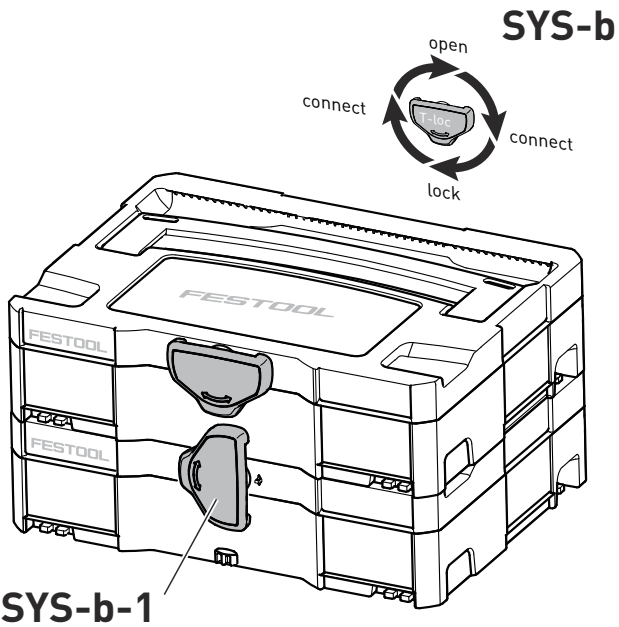
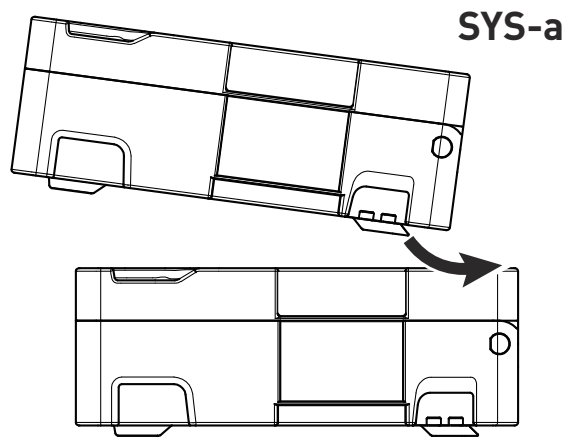
#### To connect two Systainers

Place one Systainer on the top of the other (Fig. **[SYS-a]**).

 Turn the T-loc **[SYS-b-1]** to one of this positions (Fig. **[SYS-b]**).

The Systainers are connected and locked.

 A new generation Systainer is connectable on top of a previous generation Systainer by the four latches of the previous Systainer.



## 12 Environment

**Do not dispose of the device as domestic waste!** Dispose of machines, accessories and packaging at an environmentally responsible recycling centre. Observe the respective national regulations.






## Sommaire

1	À propos de ce manuel.....	17
2	Symboles.....	17
3	Consignes de sécurité.....	18
4	Utilisation en conformité avec les instructions.....	20
5	Caractéristiques techniques.....	20
6	Éléments de l'appareil.....	21
7	Mise en service.....	21
8	Réglages.....	21
9	Travail avec la machine.....	25
10	Maintenance et entretien.....	27
11	Accessoires.....	28
12	Environnement.....	29



## 1 À propos de ce manuel











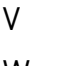
### Conservez ces instructions

Il est important pour vous de lire et de comprendre ce manuel. Les informations qu'il contient, se rapporte à la protection **de votre sécurité** et **de prévention des problèmes**. Les symboles suivants sont utilisés pour vous aider à reconnaître cette information.

	DANGER	Description du risque imminent et l'incapacité à éviter tout risque qui peut entraîner la mort.
	AVERTISSEMENT	Description des dangers possibles et des blessures qui en résultent ou la mort.
	ATTENTION	Description des dangers et des éventuelles blessures qui en résultent.
	AVIS	Description des dommages potentiels sur l'appareil ou dans son environnement.

## 2 Symboles

	Avertit d'un danger général
	Avertit d'un risque de décharge électrique

	Lire le mode d'emploi et les consignes de sécurité !
	Porter une protection auditive !
	Porter une protection respiratoire !
	Porter des lunettes de protection !
	Débrancher la fiche secteur
	Brancher le câble de raccordement secteur
	Débrancher le câble de raccordement secteur
	Conseil, information
	Instruction
	Classe de protection II
	Diamètre
V	Volt
W	watt
Hz	Hertz
~	Tension alternative
---	Tension continu
n <sub>0</sub>	Vitesse de rotation à vide
rpm	
min <sup>-1</sup>	Tours ou course par minute
tr/mi	
n	
"	pouce
lb.	livre
°	degré angulaire

**1 2 3 ...** Les numéros dans les figure montre l'ordre du pas.



### 3 Consignes de sécurité

#### 3.1 Consignes générales de sécurité pour outils électroportatifs



**AVERTISSEMENT !** Veuillez lire toutes les consignes de sécurité, instructions, illustrations et caractéristiques techniques qui accompagnent le présent outil électroportatif.

Des négligences relatives aux instructions suivantes peuvent occasionner un choc électrique, un incendie et/ou des blessures graves.

**Conserver l'ensemble des consignes de sécurité et des instructions afin de pouvoir les consulter ultérieurement.**

Le terme « outil électroportatif » utilisé dans les consignes de sécurité se rapporte aux outils électroportatifs fonctionnant sur secteur (avec câble) et aux outils électroportatifs fonctionnant sur batterie (sans câble).

#### 1 SÉCURITÉ DU POSTE DE TRAVAIL

- Veillez à ce que la zone de travail soit propre et bien éclairée.** Un poste de travail en désordre ou mal éclairé peut entraîner des accidents.
- Ne vous servez pas de l'outil électroportatif dans un environnement où il y a un risque d'explosion dû à la présence de liquides inflammables, de gaz ou de poussières.** Les outils électroportatifs peuvent générer des étincelles susceptibles d'enflammer la poussière ou les vapeurs.
- Éloignez les enfants et d'autres personnes pendant l'utilisation de l'outil électroportatif.** Si vous êtes distrait, vous pouvez perdre le contrôle de l'outil.

#### 2 SÉCURITÉ ÉLECTRIQUE

- Le connecteur de l'outil électroportatif doit correspondre à la prise électrique. Le connecteur ne doit être modifié d'aucune façon. N'utilisez pas d'adaptateur avec des outils électroportatifs mis à la terre.** Des connecteurs intacts et des prises correspondantes diminuent le risque d'un choc électrique.
- Évitez tout contact avec des surfaces mises à la terre telles que des tuyaux, chauffages, cuisinières et réfrigérateurs.** Un risque élevé de choc électrique existe si votre corps est relié à la terre.
- Protégez les outils électroportatifs de la pluie et de l'humidité.** L'infiltration d'eau dans un outil électroportatif augmente le risque de choc électrique.

- Ne détournez pas l'utilisation du câble de raccordement pour porter l'outil électroportatif, l'accrocher ou pour tirer le connecteur de la prise. Éloignez le câble de la chaleur, de l'huile, de bords tranchants ou de pièces en mouvement.** Des câbles de raccordement endommagés ou enchevêtrés augmentent le risque de choc électrique.
- Si vous travaillez avec un outil électroportatif à l'extérieur, utilisez uniquement des rallonges prévues pour l'extérieur.** L'utilisation d'un câble prévu pour l'extérieur diminue le risque d'un choc électrique.
- Utilisez un disjoncteur à courant de défaut quand le fonctionnement de l'outil électroportatif en environnement humide ne peut pas être évité.** L'utilisation d'un disjoncteur à courant de défaut diminue le risque d'un choc électrique.

#### 3 SÉCURITÉ DES PERSONNES

- Soyez attentif à ce que vous faites, faites preuve de bon sens lorsque vous travaillez avec l'outil électroportatif. N'utilisez pas l'outil électroportatif si vous êtes fatigué ou si vous êtes sous l'influence de drogues, de l'alcool ou de médicaments.** Un moment d'inattention lors de l'utilisation de l'outil électroportatif peut entraîner des blessures graves.
- Portez un équipement de protection individuelle et des lunettes de protection en permanence.** Le port d'un équipement de protection individuelle tel que masque contre la poussière, chaussures de sécurité antidérapantes, casque ou protection auditive, en fonction du type et de l'utilisation de l'outil électroportatif, diminue le risque de blessures.
- Évitez toute mise en service involontaire. Assurez-vous que l'outil électroportatif est déconnecté avant de le raccorder à l'alimentation électrique et/ou à la batterie, avant de le soulever ou de le porter.** Si, en portant l'outil électroportatif, vous avez le doigt sur l'interrupteur ou si vous raccordez l'appareil connecté à l'alimentation électrique, cela peut entraîner des accidents.
- Retirez les outils de réglage ou les clés anglaises avant de connecter l'outil électroportatif.** Un outil ou une clé qui se trouve dans une partie en rotation de l'outil

- électroportatif peut entraîner des blessures.
- e. **Évitez toute position de travail anormale. Veillez à maintenir une position stable et un bon équilibre à tout moment.** Vous pourrez ainsi à tout moment contrôler l'outil électroportatif dans des situations inattendues.
  - f. **Portez des vêtements adaptés. Ne portez pas de vêtements amples ou de bijoux. Éloignez vos cheveux et vos vêtements des pièces en mouvement.** Des vêtements amples, des bijoux ou des cheveux longs pourraient se prendre dans les pièces en mouvement.
  - g. **Si des dispositifs d'aspiration et de récupération des poussières peuvent être montés, raccordez-les et utilisez-les correctement.** L'utilisation d'une aspiration des poussières peut diminuer les dangers dus aux poussières.
  - h. **Ne vous croyez pas faussement en sécurité et n'enfreignez pas les règles de sécurité destinées aux outils électroportatifs, même si vous maîtrisez l'outil électroportatif après de multiples utilisations.** Un manque d'attention peut en un quart de seconde entraîner de graves blessures.
- dangereux lorsqu'ils sont utilisés par des personnes inexpérimentées.
- e. **Prenez soin de vos outils électroportatifs et outils. Vérifiez que les parties mobiles fonctionnent sans problème, qu'elles ne coincent pas et qu'il n'y a pas de parties cassées ou endommagées qui pourraient entraver le bon fonctionnement de l'outil électroportatif. Faites réparer les parties endommagées avant d'utiliser l'outil électroportatif.** De nombreux accidents sont dus à un mauvais entretien des outils électroportatifs.
  - f. **Maintenez les outils de coupe affûtés et propres.** Des outils de coupe entretenus avec soin dotés de bords de coupe affûtés se coincent moins et sont plus faciles à utiliser.
  - g. **Utilisez l'outil électroportatif, les outils, etc. en respectant ces instructions. Tenez compte des conditions de travail et de la tâche à effectuer.** L'utilisation des outils électroportatifs pour d'autres applications que celles prévues peut entraîner des situations dangereuses.
  - h. **Veillez à ce que les poignées et surfaces des poignées soient sèches, propres et exemptes d'huile ou de graisse.** Des poignées et surfaces de poignées glissantes ne permettent pas une utilisation en toute sécurité ni un contrôle de l'outil électroportatif dans des situations imprévues.

#### 4 UTILISATION ET TRAITEMENT DE L'OUTIL ÉLECTROPORTATIF

- a. **Ne surchargez pas l'outil électroportatif. Utilisez l'outil électroportatif destiné à votre travail.** L'outil électroportatif adapté vous permet de travailler mieux et avec plus de sécurité dans la plage de puissance indiquée.
- b. **N'utilisez aucun outil électroportatif dont l'interrupteur serait défectueux.** Un outil électroportatif qui ne peut plus être mis en marche ou arrêté est dangereux et doit être réparé.
- c. **Débranchez le connecteur de la prise de courant et/ou retirez une batterie amovible avant d'effectuer des réglages sur l'appareil, de remplacer des pièces d'outil ou de déposer l'outil électroportatif.** Cette mesure de précaution empêche un démarrage involontaire de l'outil électroportatif.
- d. **Rangez toujours les outils électroportatifs inutilisés hors de portée des enfants. Ne laissez aucune personne à laquelle vous ne faites pas confiance ou qui n'a pas lu ces consignes se servir de l'outil électroportatif.** Les outils électroportatifs sont



#### 5 SERVICE

- a. **Faites réparer votre outil électroportatif uniquement par un personnel qualifié ; les réparations doivent être effectuées avec des pièces d'origine uniquement, afin de garantir la fiabilité de l'outil électroportatif.**
- b. **Pour la réparation et l'entretien, n'utilisez que des pièces d'origine. L'utilisation d'accessoires ou de pièces détachées non adaptés risque de provoquer une électrocution ou des blessures.**


#### 3.2 Consignes de sécurité spécifiques à la machine

- **Au cours du travail, des poussières nocives/toxiques peuvent être générées (comme les poussières de peintures au plomb ou certaines poussières de bois ou de métal).** Le contact ou l'inhalation de ces poussières peut présenter un danger pour l'utilisateur ou les personnes se trouvant à proximité. Veuillez respecter les prescrip-


tions de sécurité en vigueur dans votre pays. Raccordez l'outil électroportatif à un dispositif d'aspiration approprié.

-  Pour votre santé, portez un masque de protection respiratoire de classe P2.
-  Portez systématiquement des lunettes de protection pour vous protéger des risques inhérents au ponçage.
- Si le ponçage génère des poussières explosives ou inflammables, il convient impérativement d'observer les consignes d'usage du fabricant du matériau.
- **Évitez toute pénétration de produit de polissage liquide dans l'appareil.** L'infiltration de produit de polissage dans l'outil électroportatif augmente le risque de choc électrique.
- **En cas de chute, vérifiez que l'outil électroportatif et le plateau de ponçage ne sont pas endommagés. Démontez le plateau de ponçage pour un examen minutieux. Faites réparer les pièces endommagées avant toute utilisation.** Des plateaux de ponçage cassés et des machines endommagées peuvent causer des blessures et compromettre la sûreté de la machine.


### 3.3 Travail sur métaux

 Pour des raisons de sécurité, respectez les mesures suivantes lorsque vous travaillez sur des métaux :

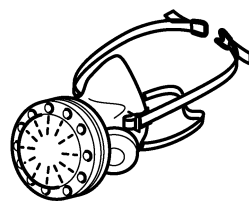
- Installez en amont de l'appareil un disjoncteur à courant de défaut (FI, PRCD).
- Raccordez l'outil à un aspirateur approprié.
- Nettoyez régulièrement par soufflage les dépôts de poussières accumulés dans le carter moteur.

 Portez des lunettes de protection !

### 3.4 La poussière, un risque pour la santé

 **AVERTISSEMENT!** certaines poussières créées par le ponçage mécanique, le sciage, le meulage, le perçage et autres activités reliées à la construction contiennent des substances chimiques connues (dans l'État de la Californie) comme pouvant causer le cancer, des anomalies congénitales ou représenter d'autres dangers pour la reproduction. Voici quelques exemples de telles substances:

- plomb provenant de peintures à base de plomb,
- silice cristallisée utilisée dans les briques, le ciment et autres matériaux de maçonnerie, et
- arsenic et chrome du bois d'oeuvre traité avec un produit chimique.



Le risque d'exposition à de tels produits varie selon la fréquence à laquelle vous faites ce genre de travail. Pour réduire les risques d'exposition à ces substances chimiques : travaillez dans un endroit adéquatement ventilé et utilisez un équipement de sécurité approuvé, tel que masques antipoussières spécialement conçus pour filtrer les particules microscopiques.



## AVERTISSEMENT

**POUR RÉDUIRE LE RISQUE DE DOMMAGES, L'UTILISATEUR DOIT LIRE LE MANUEL D'INSTRUCTION.**

## 4 Utilisation en conformité avec les instructions

Cet outil a été conçu pour le ponçage et le polissage des matériaux suivants : plastique, métal, bois, aggloméré, peinture/laque, mastic et matériaux similaires. L'usinage de l'amiante est formellement interdit.

Afin de garantir la sécurité électrique, elle ne doit pas être mouillée ou utilisée en environnement humide. Cet outil doit être exclusivement utilisé pour le ponçage à sec.



L'utilisateur est responsable des dommages provoqués par une utilisation non conforme.

## 5 Caractéristiques techniques

Ponceuses roto-excentriques	RO90 DX FEQ
Puissance	400 W
Vitesse de rotation	
Mouvement excentrique	3000 - 7000 min <sup>-1</sup>
Mouvement rotatif Rotex	220 - 520 min <sup>-1</sup>
Course de ponçage	0.12" (3.0 mm)

Ponceuses roto-excentriques	RO90 DX FEQ
Plateau de ponçage FastFix Ø	3.54" (90 mm)
Poids selon la procédure EPTA 01:2014	3.2 lbs (1.45 kg)

## 6 Éléments de l'appareil

- [1-1] Capot protecteur
- [1-2] Commutateur/blocage de broche
- [1-3] Interrupteur marche/arrêt
- [1-4] Câble de raccordement secteur
- [1-5] Raccord d'aspiration
- [1-6] Régulation de la vitesse
- [1-7] Plateau de ponçage
- [1-8] Tige de butée
- [1-9] Plateau de polissage\*
- [1-10] Patin triangulaire
- [1-11] Patin de ponçage pour lamelles\*
- [1-12] Pad d'interface\*

\* Les accessoires illustrés ou décrits ne font pas tous partie des éléments livrés.

Des éléments fournis sont disponibles sur le volet qui se trouve au début de cette notice d'utilisation. Vous pouvez ainsi déplier cette page et visualiser en permanence les différentes parties de l'outil lorsque vous lisez la notice.

## 7 Mise en service

### AVERTISSEMENT

#### Tension ou fréquence non admissible ! Risque d'accident

- La tension et la fréquence d'alimentation électrique doivent être conformes aux indications de la plaque signalétique.
- En Amérique du nord, utiliser uniquement les machines Festool fonctionnant sous une tension de 120 V/60 Hz.



### ATTENTION

**Échauffement du raccord plug-it si le raccord à baïonnette n'est pas complètement verrouillé**

#### Risque de brûlures

- Avant de mettre en marche l'outil électroportatif, assurez-vous que le raccord à baïonnette sur le câble de raccordement secteur est complètement fermé et verrouillé.

Branchement et débranchement du câble de raccordement secteur [1-4], voir figure [2].

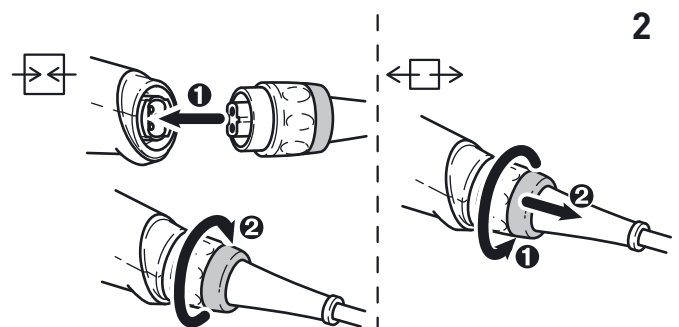
Le commutateur [1-3] sert d'interrupteur MARCHE/ARRÊT (I = MARCHÉ, 0 = ARRÊT).



L'interrupteur ne peut être actionné que si le commutateur [1-2] se trouve dans une position verrouillée.



Si une panne de courant se produit ou que la prise secteur est débranchée, mettre immédiatement l'interrupteur marche/arrêt en position d'arrêt. Ceci permet d'éviter tout redémarrage intempestif.



## 8 Réglages



### AVERTISSEMENT

#### Risque de blessures, décharge électrique

- Débrancher la fiche de la prise de courant avant toute intervention sur la machine !

### 8.1 Électronique

La machine dispose d'un système électronique à ondes pleines avec les propriétés suivantes :

#### Démarrage progressif

Le démarrage progressif assure un fonctionnement sans à-coups de la machine.

#### Régulation de la vitesse

La molette [1-6] permet de régler en continu la vitesse de rotation dans la plage de régimes

(voir ). Vous pouvez ainsi adapter de façon optimale la vitesse à chaque surface (voir tableau).

### Vitesse de rotation constante

La vitesse sélectionnée est maintenue constante de manière électronique. Elle reste donc homogène, même lorsque l'outil est fortement sollicité.

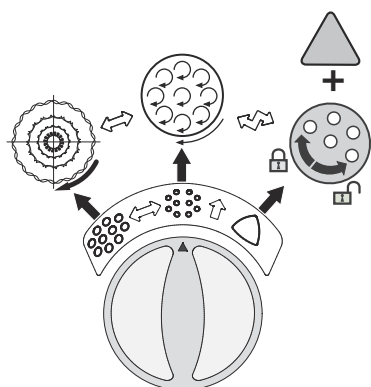
### Sécurité thermique

L'alimentation électrique et la vitesse de rotation sont réduites en cas de température trop élevée du moteur. La machine ne fonctionne plus qu'à une puissance réduite, afin de permettre un refroidissement rapide du moteur. Si la surtempérature perdure, la machine s'arrête complètement après env. 40 s. Une nouvelle mise en marche n'est possible qu'après refroidissement du moteur.

## 8.2 Réglage du mouvement de ponçage [3]

Le commutateur [1-2] permet de choisir entre trois mouvements de ponçage différents.

**i** Le plateau de ponçage doit être immobilisé pour agir sur le commutateur. Lorsque le plateau est en mouvement, le commutateur est en effet verrouillé.



3

### Ponçage dégrossissant, polissage - mouvement rotatif ROTEX



Le mouvement rotatif Rotex est une combinaison de mouvements rotatifs et excentriques. Cette position est conçue pour le ponçage dégrossissant (grossier) et le polissage.

### Ponçage fin - mouvement excentrique



Cette position est conçue pour un ponçage dégrossissant moins puissant, qui évite les rayures superficielles (ponçage fin).

## Ponçage triangulaire et changement de plateau [4]



qué.

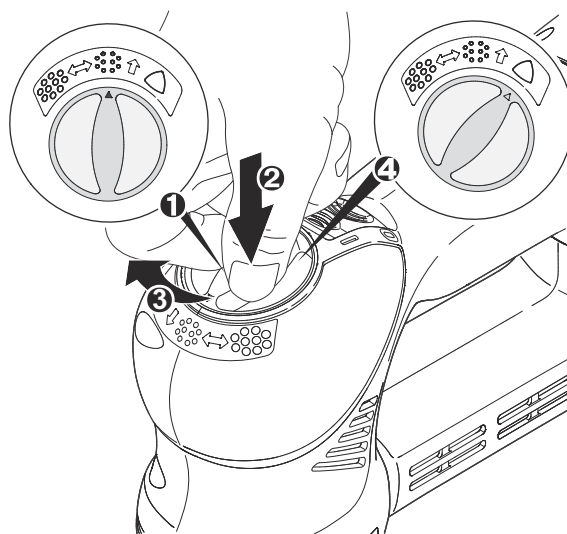


Cette position est réservée au ponçage avec le patin de ponçage Delta et le patin de ponçage pour lamelles. Le mouvement de rotation est alors blo-

Cette position sert à changer de plateau de ponçage ou de patin de ponçage.



La tige de blocage [1-8] rend le montage d'un patin de ponçage impossible lorsque le commutateur est en position de mouvement rotatif ROTEX ou de mouvement excentrique.



4

## 8.3 Changement de plateau de ponçage/polissage [5]



Utilisez exclusivement des plateaux de ponçage et de polissage pouvant supporter la vitesse de rotation maximale indiquée.

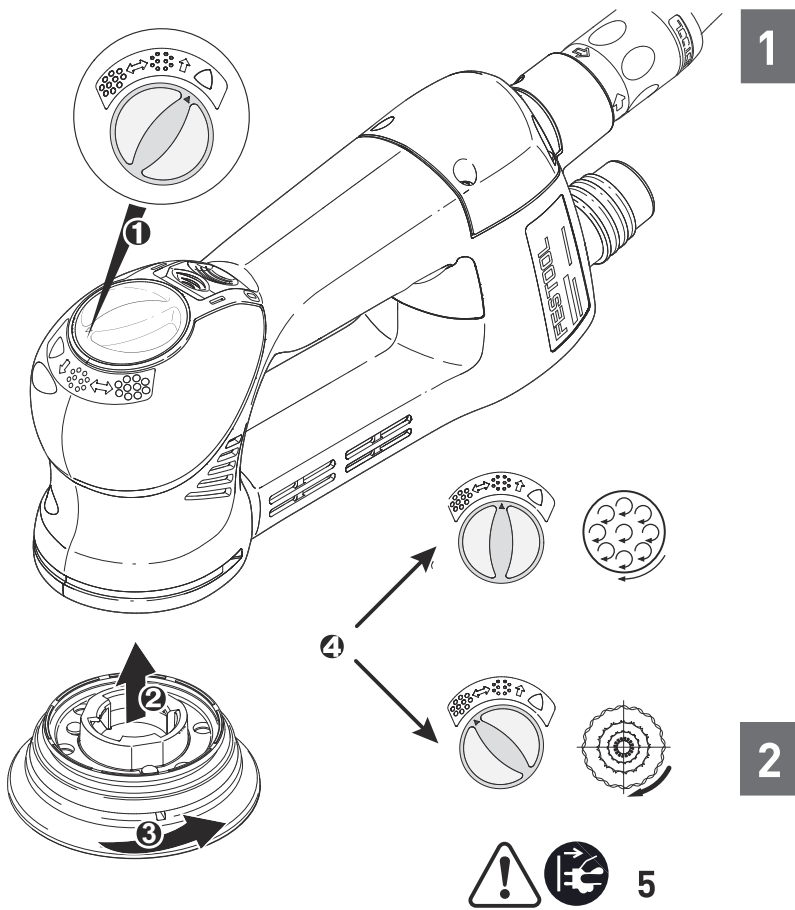
En fonction de la surface à traiter, cet appareil peut être équipé de deux plateaux de ponçage de duretés différentes.

**Surfaces dures :** ponçage dégrossissant et ponçage fin sur des surfaces. Ponçage des chants.

**Surfaces tendres :** accessoire universel pour ponçage dégrossissant et ponçage fin, pour surfaces planes et incurvées.

Le fait de placer le pad d'interface [1-12] sur le plateau de ponçage altère la résistance = support super tendre.

► Après avoir changé de plateau, réglez le commutateur [1-2] en fonction du mouvement de ponçage souhaité.

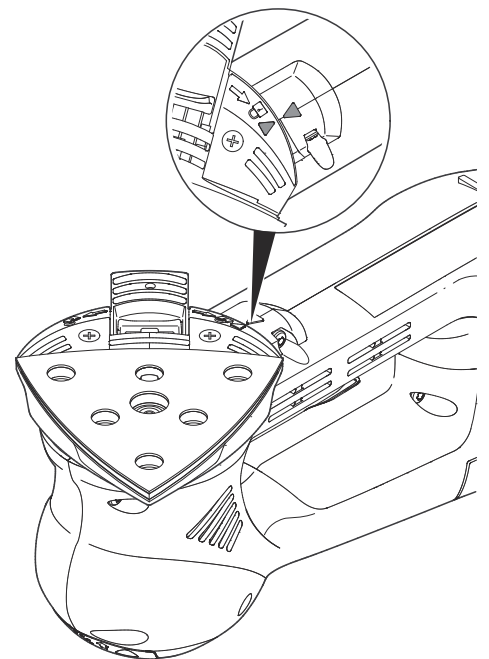
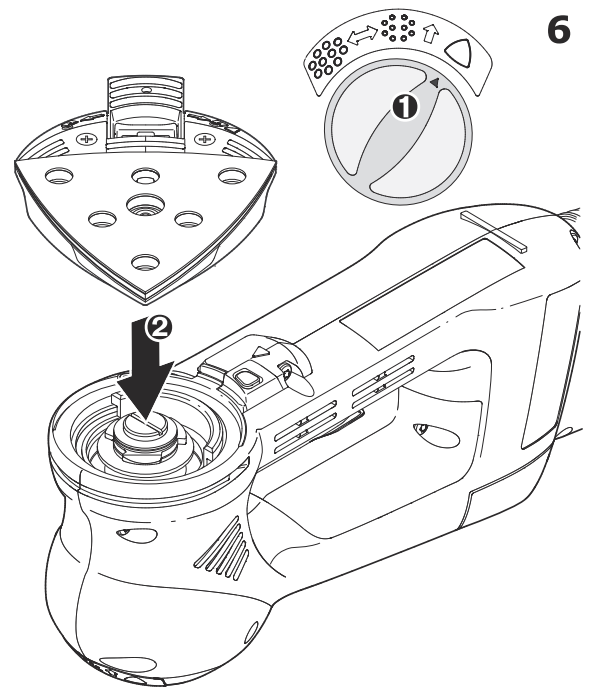


#### 8.4 Changement de patin de ponçage [6]

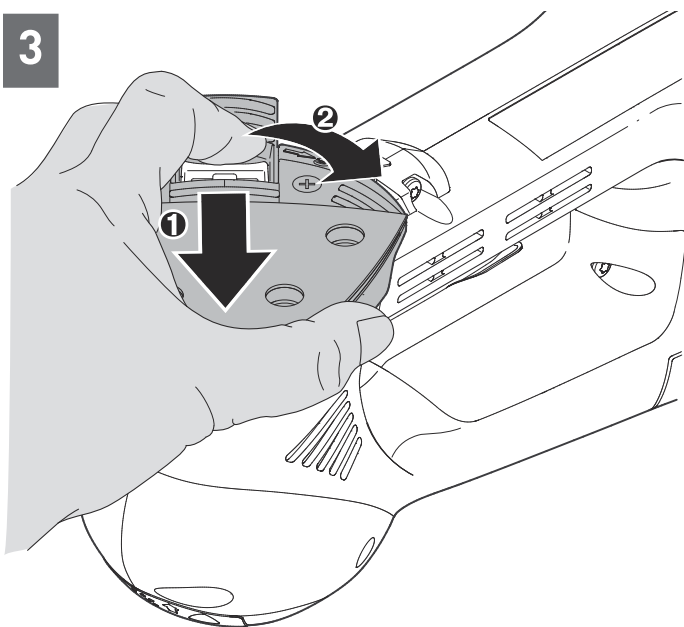
Le patin de ponçage Delta DSS-GE-STF-R090 permet de poncer près des bord, dans les coins ou sur les chants. Le patin de ponçage pour lamelles LSS-STF-R090 sert quant à lui à intervenir dans les interstices, par exemple les persiennes.

#### Observez les consignes suivantes :

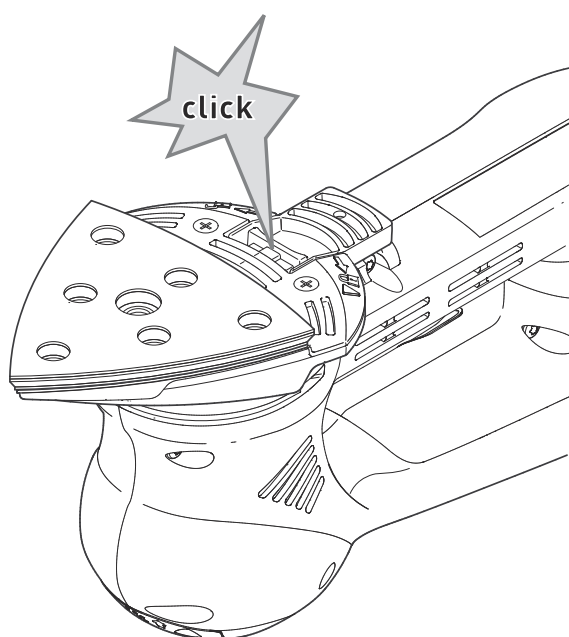
Le fait d'intervenir dans les angles et sur les chants sollicite ponctuellement la pointe et produit un fort dégagement de chaleur. Vous devez donc exercer moins de pression.



3

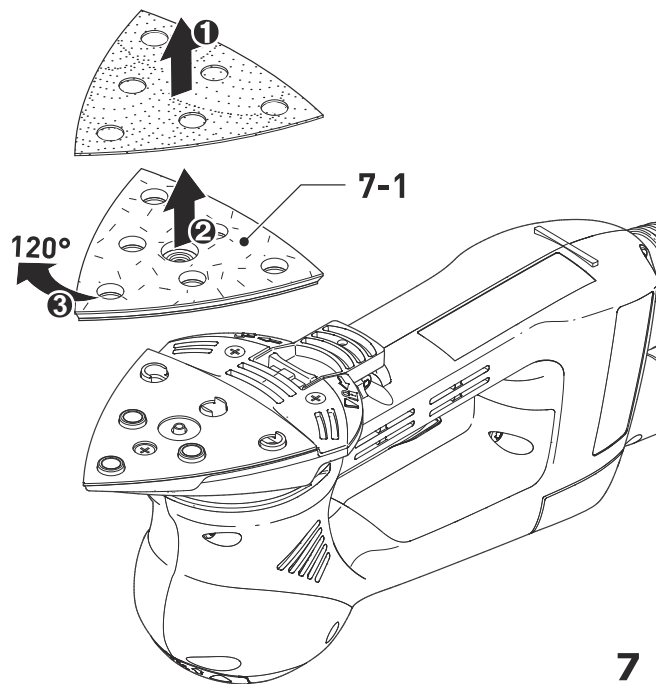


4



**Patin de ponçage Delta DSS-GE-STF-R090 [7]**

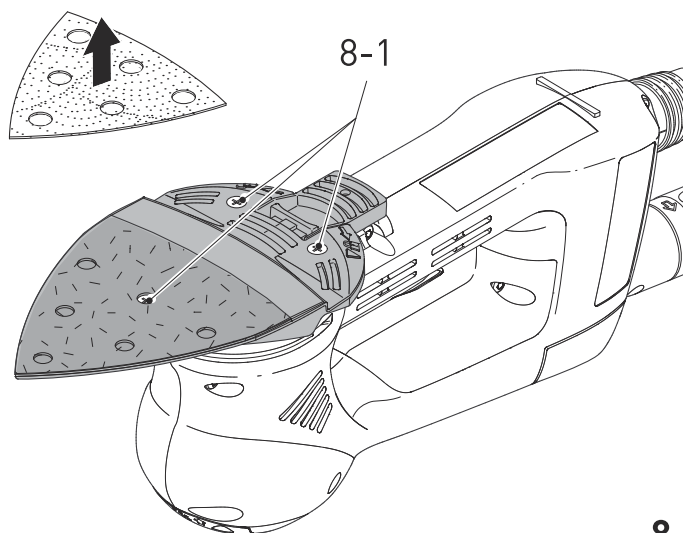
Si la pointe avant du pad StickFix [7-1] de votre patin de ponçage Delta est usée, retirez-la et tournez le patin de 120°.



7

**Patin de ponçage pour lamelles LSS-STF-R090 [8]**

Si le revêtement StickFix du patin de ponçage pour lamelles est usé, il est possible de changer le support dans son ensemble. Pour cela, dévissez les vis [8-1].




8

**8.5 Fixation des accessoires de ponçage**

Le plateau et le patin de ponçage StickFix permettent de fixer des abrasifs et des feutres StickFix adaptés de manière simple et rapide.

- Placez l'accessoire de ponçage auto-agrippant sur le plateau de ponçage [1-7] et appuyez bien.

 Utilisez uniquement des patins Stickfix dont l'état de la surface auto-agrippante est impeccable. Avant l'utilisation, vérifiez si la surface n'a pas subi de dégradation suite à un échauffement.



## 8.6 Fixation de l'accessoire de polissage

Pour éviter tout dommage, il convient d'utiliser exclusivement le plateau de polissage spécifique pour fixer les accessoires PoliStick (éponge, feutre, peau de mouton).

- Placez l'accessoire de polissage auto-agrippant sur le plateau de polissage [1-9] et appuyez bien.

## 8.7 Aspiration



### AVERTISSEMENT

#### Risques pour la santé dus aux poussières

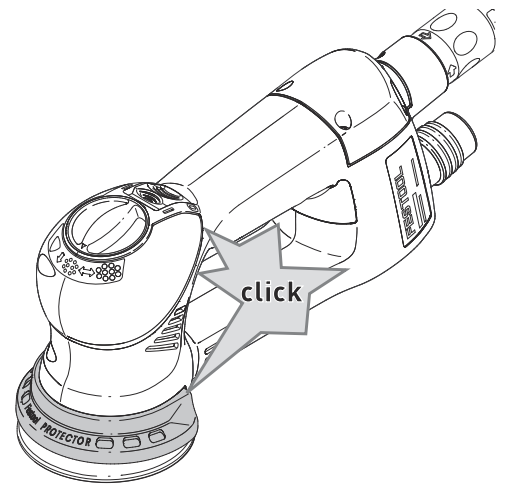
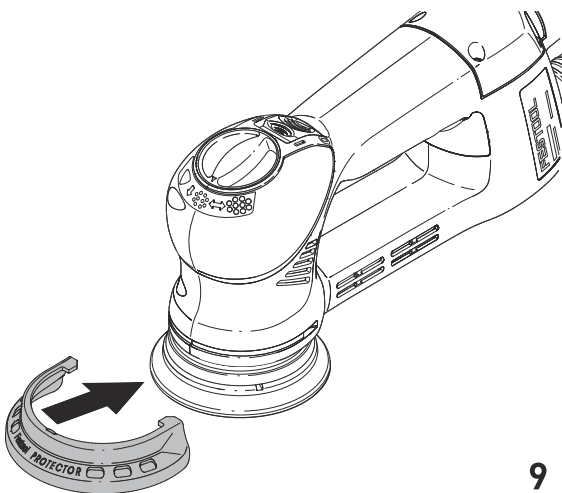
- Les poussières peuvent être dangereuses pour la santé. Pour cette raison, ne travaillez jamais sans aspiration.
- Respectez toujours les prescriptions nationales en vigueur lors de l'aspiration de poussières dangereuses pour la santé.

Le raccord d'aspiration [1-5] permet de raccorder un aspirateur Festool avec tuyau d'aspiration de 27 mm de diamètre.

**Recommandation :** utiliser un tuyau d'aspiration antistatique ! La fonction antistatique empêche la charge d'électricité statique.

## 8.8 Capot protecteur[9]

La protection pour chants [1-1] évite que la circonférence du plateau de ponçage ne touche une surface (par ex. lors du ponçage le long d'un mur ou d'une fenêtre) et ne provoque un rebond de l'outil, voire des dommages.



2

## 9 Travail avec la machine



### AVERTISSEMENT

#### Risques de blessures

- Fixer la pièce à usiner de manière à ce qu'elle ne puisse pas bouger pendant le traitement.




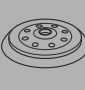



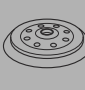






#### Observez les consignes suivantes :

- Ne surchargez pas l'outil : n'exercez pas de pression trop importante ! Pour obtenir des résultats optimaux, il convient d'exercer une pression modérée. Les performances de ponçage et la qualité du ponçage dépendent essentiellement du choix de l'abrasif.
- Pour guider l'outil de façon sûre, maintenez-le avec les deux mains au niveau du carter du moteur et de la tête de carter.












Les tableaux A et B montrent les réglages préconisés pour différents travaux de ponçage et de polissage.

### 9.1 Tableau A - ponçage

		Ponçage dégrossissant				Ponçage de finition			
									
	Laque, apprêt, mastic	x		5 - 6	mou		x	1 - 3	Super souple
	Laque, peinture	x		5 - 6	dur		x	3 - 6	dur
	Bois, plaqué	x		5 - 6	dur		x	3 - 6	mou
	matière plastique	x	x	1-4	mou		x	1 - 4	souple/super souple
	Acier, cuivre, aluminium	x		6	mou		x	3 - 6	mou
	Peintures COV						x	2 - 4	super souple - dur

### 9.2 Tableau B - polissage

			Polissage	Scellage	Polissage grande brillance
Laque			6	3	4 - 6
			Eponge grossière/fine	Eponge fine/gaufrée	Peau de mouton
			Pâte de polissage	Cire dure	-
matière plastique			6	3	6
			feutres dur	feutres mou	Peau de mouton
			Pâte de polissage	Cire dure	-

### 9.3 Rallonge

S'il est nécessaire d'utiliser une rallonge, celle-ci doit présenter une section suffisante pour éviter une perte de tension excessive ou une surchauffe. Une perte de tension excessive réduit la puissance et peut provoquer la défaillance du moteur. Le tableau ci-dessous indique le diamètre de câble approprié en fonction de la longueur de câble pour cet outil.

Tab. 9.1 : Taille de câble en AWG

Intensité nominale de l'outil	Longueur de câble en pieds			
	25	50	100	150
3-6	18	16	16	14
6-8	18	16	14	12
8-10	18	16	14	12

Intensité nominale de l'outil	Longueur de câble en pieds			
10-12	16	16	14	12
12-16	14	12	-	-

**Tab. 9.2 : Taille de câble en mm<sup>2</sup>**

Intensité nominale de l'outil	Longueur de câble en mètres			
	<b>15</b>	<b>30</b>	<b>60</b>	<b>120</b>
3-6	0,75	0,75	1,5	2,5
6-8	0,75	1,0	2,5	4,0
8-10	0,75	1,0	2,5	4,0
10-12	1,0	2,5	4,0	-
12-16	-	-	-	-

Utiliser uniquement des rallonges homologuées U.L. et CSA.

Ne jamais utiliser deux rallonges ensemble. Au lieu de cela, utiliser une rallonge plus longue.



Plus la valeur AWG est faible, plus le diamètre du câble est élevé.

## 10 Maintenance et entretien



### AVERTISSEMENT

**Tout travail de maintenance ou de réparation, qui nécessite l'ouverture du moteur ou du carter d'engrenages doit uniquement être effectué par un centre service-client autorisé (nom fourni par votre revendeur) !**

- Les travaux de maintenance ou de réparation effectués par un personnel non autorisé peuvent conduire à la mauvaise connexion de câbles d'alimentation ou d'autres composants, ce qui peut entraîner à son tour des accidents avec des conséquences graves.



### AVERTISSEMENT

**Pour éviter les accidents, retirez toujours la fiche mâle de la prise d'alimentation électrique avant d'effectuer tout travail de maintenance ou de réparation sur la machine !**

- N'utilisez pas d'air comprimé pour nettoyer l'outil électrique ! N'essayez pas de nettoyer des parties à l'intérieur de la machine de cette façon, étant donné que des corps étrangers pourraient pénétrer dans les ouvertures du carter de la machine.



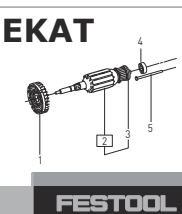
### ATTENTION

**Certains produits nettoyants et solvants sont nocifs pour les pièces en plastique.**

- Quelques exemples de produit nocif : essence, acétone, méthyléthylcétone (MEK), chlorure de carbonyle, solutions nettoyantes contenant du chlore, de l'ammoniac et les produits ménagers contenant de l'ammoniac.



**Service après-vente et réparation** uniquement par le fabricant ou des ateliers de service après-vente. Pour trouver l'adresse la plus proche : [www.festoolusa.com/service](http://www.festoolusa.com/service)



Utiliser uniquement des pièces détachées Festool d'origine !  
Réf. sur : [www.festoolusa.com/service](http://www.festoolusa.com/service)

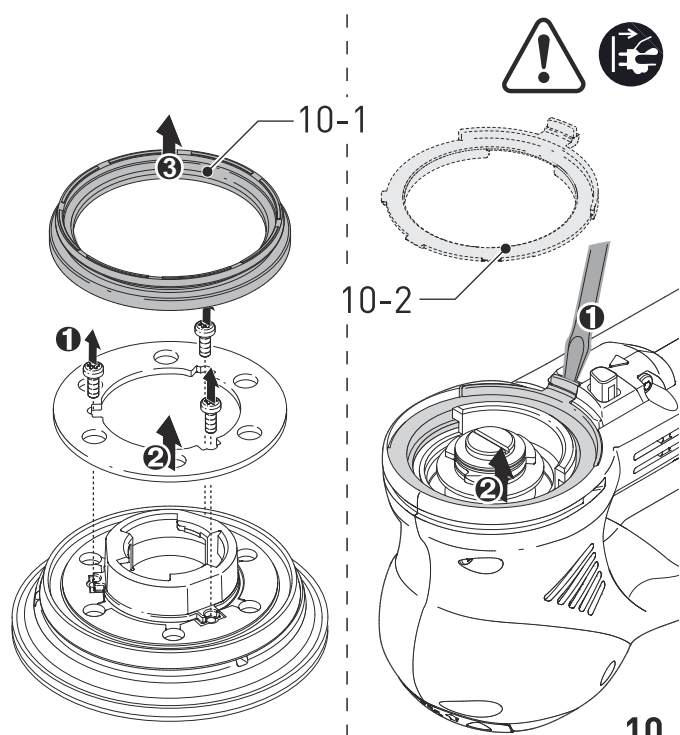
Pour assurer la circulation de l'air, il est impératif que les ouïes de ventilation du carter moteur soient maintenues dégagées et propres. L'appareil est équipé de charbons spéciaux à coupure automatique. Lorsque ceux-ci sont usés, l'alimentation est coupée et l'appareil s'arrête.

Vérifier que les avertissements figurant sur l'outil électroportatif sont lisibles et au complet. Remplacer les avertissements manquants ou illisibles.

#### 10.1 Frein de plateau

La rondelle en caoutchouc [10-1] du plateau de ponçage et la bague d'arrêt [10-2] de l'outil évitent que le plateau ne s'emballé lors du mouvement excentrique (ponçage fin). Ces composants tendent à s'user au fil du temps et doivent donc être remplacés lorsque leur effet de frein-

nage se fait moins efficace (voir la nomenclature des pièces de rechange pour la référence).



## 11 Accessoires

Utilisez uniquement les accessoires Festool et consommables Festool d'origine prévus pour cette machine, car ces composants systèmes sont parfaitement adaptés les uns par rapport aux autres. Si vous utilisez des accessoires et consommables d'autres marques, la qualité du résultat peut être dégradée et les recours en garantie peuvent être soumis à des restrictions. L'usure de la machine ou votre charge personnelle peuvent augmenter selon chaque application. Pour cette raison, protégez-vous, votre machine et vos droits à la garantie en utilisant exclusivement des accessoires Festool et des consommables Festool d'origine !

Utilisez uniquement des plateaux de ponçage et de polissage d'origine Festool. L'utilisation de plateaux de ponçage et de polissage de moindre qualité peut provoquer un balourd considérable, entraînant une dégradation de la qualité du résultat et une usure prématurée de l'outil. Les références des accessoires et des outils figurent dans le catalogue Festool ou sur Internet sous "www.festoolusa.com".


### 11.1 SYSTAINER

#### Systainer


De nombreux produits Festool sont fournis dans une caisse exclusive, appelée "Systainer". Celle-ci permet de protéger et de ranger des outils et des appareils complémentaires. Les

Systainer sont empilables et peuvent être solidarisés. En outre, il se fixent sur les aspirateurs CT Festool.

#### Pour ouvrir le Systainer


 Tournez le T-loc **[SYS-b-1]** à cette position.

#### Pour fermer le Systainer


 Tournez le T-loc **[SYS-b-1]** à cette position.

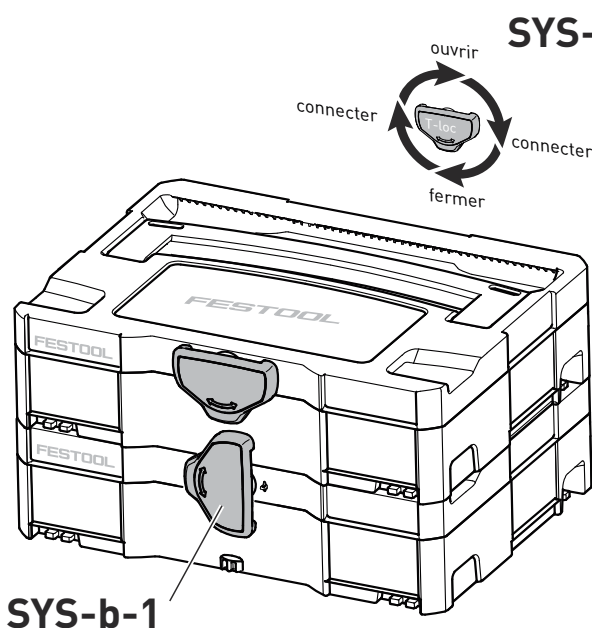
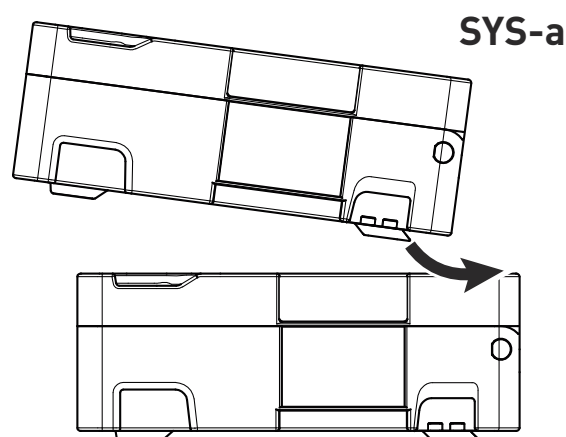
#### Pour connecter deux Systainers

Placez un Systainer au dessus de l'autre **[SYS-a]**.

 Tournez le T-loc **[SYS-b-1]** à une de cette positions (Fig. **[SYS-b]**).

Les Systainers sont combinés.

 Un Systainer de la nouvelle génération peut être attaché au dessus d'un Systainer de l'ancienne génération par les quatre loquets de l'ancien Systainer.



## 12 Environnement

**Ne jetez pas l'appareil avec les ordures ménagères !** Éliminez l'appareil, les accessoires et les emballages de façon compatible avec l'environnement. Respectez les prescriptions nationales en vigueur.




## Índice de contenidos

1	Sobre este manual.....	30
2	Símbolos.....	30
3	Indicaciones de seguridad.....	31
4	Uso conforme a lo previsto.....	33
5	Datos técnicos.....	33
6	Componentes de la herramienta.....	34
7	Puesta en servicio.....	34
8	Ajustes.....	34
9	Trabajo con la máquina.....	38
10	Mantenimiento y limpieza.....	39
11	Accesorios.....	40
12	Medio ambiente.....	41






## 1 Sobre este manual







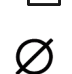
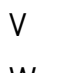
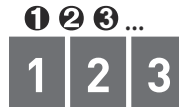
### Guarde estas instrucciones

Es importante que usted lea y entienda este manual. La información que contiene se relaciona con la protección de **su seguridad y la prevención de problemas**. Los símbolos que siguen se utilizan para ayudarlo a reconocer esta información.

	PELIGRO	Descripción de peligro inminente y fracaso para evitar riesgos que podran causar la muerte.
	ADVERTENCIA	Descripción de peligro y posibles lesiones resultantes o la muerte.
	PRECAUCIÓN	Descripción de peligro y posibles lesiones resultantes.
	AVISO	Descripción de los posibles daños en el dispositivo o en su entorno.

## 2 Símbolos

	Aviso de peligro general
	Peligro de electrocución
	¡Leer el manual de instrucciones y las indicaciones de seguridad!
	Usar protección para los oídos
	Utilizar protección respiratoria.

	Utilizar gafas de protección
	Desenchufar
	Conexión del cable de conexión a la red eléctrica
	Desconexión del cable de conexión a red
	Consejo, indicación
	Guía de procedimiento
	Clase de protección II
	diámetro
V	voltios
W	vatios
Hz	hertzios
~	tensión alterna
—	tensión continua
n <sub>0</sub>	revoluciones por minuto en vacío
rpm min <sup>-1</sup>	revoluciones por minuto
"	pulgada
lb.	libras
°	grado angular
	Los numeros en las figuras indican el orden en cual se debe hacer los pasos.

## 3 Indicaciones de seguridad

### 3.1 Instrucciones generales de seguridad para herramientas eléctricas



**¡ADVERTENCIA!** Leer todas las indicaciones de seguridad, instrucciones, ilustraciones y datos técnicos que acompañan a esta herramienta eléctrica. Si no se cumplen debidamente las instrucciones siguientes, puede producirse una descarga eléctrica, quemaduras o lesiones graves.

**Guarde todas las indicaciones de seguridad e instrucciones para que sirvan de futura referencia.**

El término «herramienta eléctrica» empleado en las indicaciones de seguridad hace referencia a herramientas eléctricas conectadas a la red eléctrica (con un cable de red) o a herramientas eléctricas alimentadas con batería (sin cable de red).

#### 1 SEGURIDAD EN EL LUGAR DE TRABAJO

- Mantenga su zona de trabajo limpia y bien iluminada.** El desorden o la falta de iluminación en las zonas de trabajo pueden dar lugar a accidentes.
- No trabaje con la herramienta eléctrica en entornos potencialmente explosivos donde se encuentren líquidos, gases o polvos inflamables.** Las herramientas eléctricas producen chispas que pueden inflamar el polvo o los vapores.
- Mantenga a los niños y otras personas alejados de la herramienta eléctrica durante el uso.** Si se distrae, puede perder el control de la herramienta.

#### 2 SEGURIDAD ELÉCTRICA

- El conector de la herramienta eléctrica debe encajar en el enchufe. El conector no debe modificarse en modo alguno. No utilice conectores adaptadores con herramientas eléctricas con puesta a tierra.** Unos conectores intactos y unos enchufes adecuados reducen el riesgo de descarga eléctrica.
- Evite el contacto físico con superficies con puesta a tierra como las de tuberías, calefacciones, cocinas y frigoríficos.** Existe un riesgo elevado de descarga eléctrica si su cuerpo está en contacto con la tierra.
- Mantenga las herramientas eléctricas lejos de la lluvia y la humedad.** La penetración de agua en una herramienta eléctrica aumenta el riesgo de descarga eléctrica.

- No utilice el cable de conexión para transportar o colgar la herramienta eléctrica ni para extraer el conector del enchufe. Mantenga el cable de conexión alejado del calor, aceite, cantos afilados o piezas en movimiento.** Los cables de conexión dañados o enredados aumentan el riesgo de descarga eléctrica.
- Si trabaja con una herramienta eléctrica al aire libre, utilice únicamente alargadores aptos para el uso en exteriores.** El empleo de alargadores aptos para el uso en exteriores reduce el riesgo de descarga eléctrica.
- Cuando sea inevitable el uso de la herramienta eléctrica en un entorno húmedo, utilice un interruptor diferencial.** El uso de un interruptor diferencial reduce el riesgo de que se produzca una descarga eléctrica.

#### 3 SEGURIDAD DE LAS PERSONAS

- Sea cuidadoso, preste atención a lo que está haciendo y actúe con prudencia al trabajar con herramientas eléctricas. No utilice ninguna herramienta eléctrica si está cansado o bajo los efectos de drogas, alcohol o medicamentos.** Una mínima distracción mientras está utilizando la herramienta eléctrica puede ocasionarle graves lesiones.
- Lleve puesto el equipamiento de protección personal y utilice gafas de protección en todo momento.** El empleo del equipamiento de protección personal como p. ej. mascarilla, guantes de seguridad antideslizantes, casco o protección de oídos, según el tipo y la aplicación de la herramienta eléctrica, reduce el riesgo de lesiones.
- Evite un arranque accidental de la herramienta. Asegúrese de que está desconectada antes de conectarla al suministro de corriente o la batería, recogerla o transportarla.** Existe peligro de accidente si transporta la herramienta eléctrica con el dedo sobre el interruptor o si conecta la herramienta encendida a la red.
- Retire las herramientas de ajuste y las llaves de tornillos antes de conectar la herramienta eléctrica.** Si una herramienta o llave se encuentra en una pieza en movimiento de la herramienta eléctrica, pueden producirse lesiones.
- Evite una postura anormal del cuerpo. Procure un apoyo seguro y mantenga el equilibrio en todo momento.** De esta ma-

nera podrá controlar mejor la herramienta eléctrica en situaciones inesperadas.

- f. **Utilice ropa adecuada. No utilice ropa ancha ni objetos de joyería o bisutería. Mantenga el pelo y la ropa alejados de las piezas en movimiento.** La ropa holgada o el pelo largo pueden quedar atrapados por piezas en movimiento.
- g. **Si se montan dispositivos de aspiración o recogida de polvo, estos deberán conectarse y utilizarse correctamente.** El empleo de un sistema de aspiración del polvo puede disminuir los peligros a causa del polvo.
- h. **No se cree un falso sentido de la seguridad ni ignore las normas de seguridad de las herramientas eléctricas, ni siquiera si está muy familiarizado con el uso de la herramienta.** Una distracción durante el manejo puede derivar en graves lesiones en cuestión de pocas fracciones de segundo.

#### 4 USO Y MANEJO DE LA HERRAMIENTA ELÉCTRICA

- a. **No sobrecargue la herramienta eléctrica. Utilice la herramienta eléctrica adecuada para el trabajo que va a realizar.** Con la herramienta apropiada trabajará mejor y más seguro en el rango de potencia especificado.
- b. **No utilice ninguna herramienta eléctrica cuyo interruptor esté defectuoso.** Una herramienta eléctrica que no se pueda conectar o desconectar resulta peligrosa y es necesario repararla.
- c. **Extraiga el conector del enchufe o retire la batería extraíble antes de efectuar los ajustes de la herramienta, cambiar piezas o guardar la herramienta eléctrica.** Esta medida de seguridad impide el arranque accidental de la herramienta eléctrica.
- d. **Mantenga las herramientas eléctricas que no esté utilizando fuera del alcance de los niños. No permita que la herramienta eléctrica sea utilizada por personas que no estén familiarizadas con ella o no hayan leído las presentes indicaciones.** Las herramientas eléctricas en manos inexpertas pueden ser peligrosas.
- e. **Trate las herramientas eléctricas y las herramientas intercambiables con cuidado. Compruebe si las partes móviles funcionan correctamente y no se atascan, y si hay piezas rotas o tan deterioradas que podrían mermar el funcionamiento de la**

**herramienta eléctrica. Haga reparar las piezas deterioradas antes de usar la herramienta eléctrica.** Muchos accidentes tienen su origen en un mantenimiento deficiente de las herramientas eléctricas.

- f. **Mantenga las herramientas cortantes limpias y afiladas.** Las herramientas cortantes bien cuidadas con aristas de corte afiladas se atascan menos y se guían más fácilmente.
- g. **Utilice la herramienta eléctrica, las herramientas intercambiables, etc., de acuerdo con estas instrucciones. Para ello, tenga en cuenta las condiciones de trabajo y la actividad que debe realizar.** El uso de herramientas eléctricas en aplicaciones diferentes a las previstas puede dar lugar a situaciones peligrosas.
- h. **Mantenga las superficies de agarre y los mangos secos, limpios y libres de aceite y grasa.** Un mango o unas superficies de agarre resbaladizos no permiten un manejo y control seguros de la herramienta eléctrica en situaciones imprevistas.

#### 5 SERVICIO

- a. **Encargue la reparación de su herramienta eléctrica únicamente a personal técnico cualificado y solo con piezas de recambio originales. De esta forma queda garantizada la seguridad de la herramienta eléctrica.**
- b. **Utilice exclusivamente piezas originales para la reparación y el mantenimiento de la herramienta. El uso de accesorios o piezas de recambio no previstos puede producir descargas eléctricas o lesiones.**

##### 3.2 Indicaciones de seguridad específicas

- **Al trabajar puede generarse polvo perjudicial/tóxico (p. ej., de pintura de plomo, algunos tipos de madera y metal).** El contacto o la inhalación de este polvo puede suponer una amenaza para la persona que realiza el trabajo o para aquellas que se encuentren cerca. Observar las normativas de seguridad vigentes en el país de uso. Conectar la herramienta eléctrica a un equipo de aspiración apropiado.



- Para proteger la salud, utilizar una mascarilla de protección respiratoria con filtro P2.





- Ante el peligro que supone el lijado, llevar siempre gafas de protección.
- Si durante el lijado se genera polvo explosivo o autoinflamable, deberán observarse las indicaciones del fabricante relativas al trabajo con dicho material.
- **Evitar la entrada de agentes pulidores (pulimentos) líquidos en la herramienta.** La penetración de agentes pulidores (pulimentos) líquidos en la herramienta eléctrica aumenta el riesgo de descarga eléctrica.
- **Tras la caída, comprobar si se han dañado la herramienta eléctrica y el plato lijador. Desmontar el plato lijador para realizar una comprobación exacta. Solicitar la reparación de las piezas deterioradas antes de usar la herramienta.** El plato lijador roto y las herramientas dañadas pueden provocar lesiones e incertidumbre al utilizar la máquina.

### 3.3 Tratamiento de metales



Al trabajar con metal se deberán tener presentes las siguientes medidas por motivos de seguridad:

- Preconectar un interruptor diferencial (FI, PRCD).
- Conectar la máquina a un aparato de aspiración apropiado.
- Limpiar regularmente el polvo que se acumula en la carcasa del motor de la máquina.



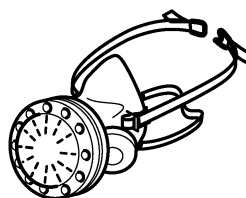
¡Utilizar gafas de protección!

### 3.4 Riesgos para la salud producidos por el polvo



**ADVERTENCIA!** algunos polvos creados por lijadoras motorizadas, aserraderos, trituradores, perforadoras y otras actividades de construcción contienen sustancias químicas que se sabe (en el Estado de California) causan cáncer, defectos de nacimiento u otros daños al sistema reproductivo. Algunos ejemplos de estas sustancias químicas son:

- Plomo de las pinturas con base de plomo
- Sílice cristalino de los ladrillos y cemento y otros productos de mampostería, y
- Arsénico y cromo de madera tratada con sustancias químicas



El riesgo de exposición a estas sustancias varía, dependiendo de cuantas veces se hace este tipo de trabajo.

Para reducir el contacto con estas sustancias químicas:

trabaje en un área con buena ventilación y trabaje con equipo de seguridad aprobado, como mascarillas para el polvo diseñadas específicamente para filtrar partículas microscópicas.



## ADVERTENCIA

**PARA REDUCIR EL RIESGO DE LESIÓN, EL USUARIO DEBE LEER EL MANUAL DE INSTRUCCIÓN.**

## 4 Uso conforme a lo previsto

Conforme a las especificaciones, la máquina está prevista para lijar y pulir plástico, metal, madera, materiales compuestos, pintura/barniz, emplaste y materiales similares. La máquina no debe emplearse para el tratamiento de materiales que contengan amianto.

Por motivos de seguridad eléctrica, la máquina no debe mojarse ni utilizarse en entornos húmedos. La máquina sólo puede utilizarse para el lijado en seco.



El usuario será responsable de cualquier utilización indebida.

## 5 Datos técnicos

Lijadora excéntrica de engranaje	R090 DX FEQ
Potencia	400 W
Número de revoluciones	
Movimiento excéntrico	3000 - 7000 min <sup>-1</sup>
Trazado en curva Rotex	220 - 520 min <sup>-1</sup>
Órbita	0.12" (3.0 mm)
Plato lijador FastFix	3.54" (90 mm)
Peso según procedimiento EPTA 01:2014	3.2 lbs (1.45 kg)

## 6 Componentes de la herramienta

- [1-1] Protector
- [1-2] Conmutador/bloqueo del husillo
- [1-3] Interruptor de conexión y desconexión
- [1-4] Cable de conexión a la red
- [1-5] Racor de aspiración
- [1-6] Regulación del número de revoluciones
- [1-7] Plato lijador
- [1-8] Barra de detención
- [1-9] Plato pulidor\*
- [1-10] Zapata delta
- [1-11] Zapata de lamas\*
- [1-12] Interface-Pad\*

\*Los accesorios representados o descritos no forman parte íntegra de la dotación de suministro.

Las imágenes con la dotación de suministro se encuentran en una hoja desplegable al comienzo de este manual de instrucciones. Cuando lea este manual, le recomendamos que despliegue esta página para disponer fácilmente de una vista general de la máquina.

## 7 Puesta en servicio



### ADVERTENCIA

#### Tensión o frecuencia no permitida

#### Peligro de accidente

- La tensión de red y la frecuencia de la red eléctrica deben coincidir con los datos que figuran en la placa de tipo.
- En Norteamérica solo pueden utilizarse las máquinas Festool con una tensión de 120 V/60 Hz.



### PRECAUCIÓN

**Calentamiento de la conexión plug-it porque el cierre de bayoneta no está completamente bloqueado**

#### Peligro de quemaduras

- Antes de conectar la herramienta eléctrica, asegúrese de que el cierre de bayoneta del cable de conexión a la red eléctrica esté completamente cerrado y bloqueado.

Conexión y desconexión del cable de conexión a la red [1-4], véase la imagen [2].

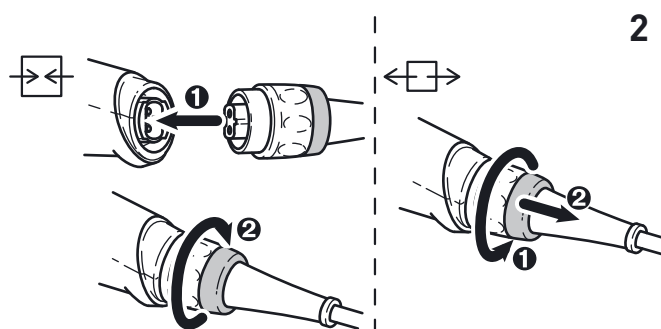
El interruptor [1-3] sirve como interruptor de conexión y desconexión (I = CONECTADO, 0 = DESCONECTADO).



El interruptor de conexión solo se puede pulsar cuando el conmutador [1-2] está enclavado en una posición.



En caso de corte de corriente o al retirar el enchufe, colocar el interruptor de conexión y desconexión inmediatamente en la posición de desconexión. Esto impide que la máquina se vuelva a conectar de forma incontrolada.



## 8 Ajustes



### ADVERTENCIA

#### Peligro de lesiones y electrocución

- Desconectar el enchufe de la red antes de realizar cualquier trabajo en la máquina.

### 8.1 Sistema electrónico

La máquina dispone de un sistema electrónico de onda completa con las siguientes propiedades:

#### Arranque suave

El arranque suave mediante control electrónico garantiza una puesta en marcha de la máquina sin sacudidas.

## Regulación del número de revoluciones

El número de revoluciones se puede ajustar de modo continuo [1-6] en la gama de revoluciones (véase ) con la rueda de ajuste. De esta forma, la velocidad de corte se puede adaptar de forma óptima a cada superficie (véase tabla).

### Revoluciones constantes

El número preseleccionado de revoluciones del motor se mantiene constante gracias a un sistema electrónico. De este modo se consigue también una velocidad de corte estable bajo carga.

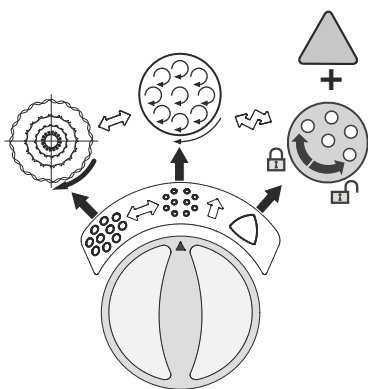
### Protector contra sobrettemperatura

Si la temperatura del motor es demasiado elevada, el suministro de corriente y el número de revoluciones disminuyen. La máquina sólo funciona con una potencia baja para que pueda enfriarse rápidamente mediante la ventilación del motor. Si el exceso de temperatura persiste, la máquina se desconecta completamente pasados unos 40 segundos. Solo se puede volver a conectar una vez enfriado el motor.

## 8.2 Ajustar el movimiento de lijado [3]

Con el conmutador [1-2] es posible ajustar tres movimientos de lijado diferentes.

- i** La conmutación sólo se puede realizar con el plato lijador parado, ya que el interruptor está bloqueado cuando está en funcionamiento.



3

### Lijado basto, pulido: trazado en curva ROTEX



El trazado en curva Rotex es una combinación de movimiento excéntrico y de rotación. Esta posición se selecciona para lijar con mucha fuerza (lijado basto) y para pulir.

### Lijado fino: movimiento excéntrico



Esta posición se selecciona para lijar con poca fuerza una superficie sin estrías (lijado fino).

## Lijadora triangular y cambio de plato [4]



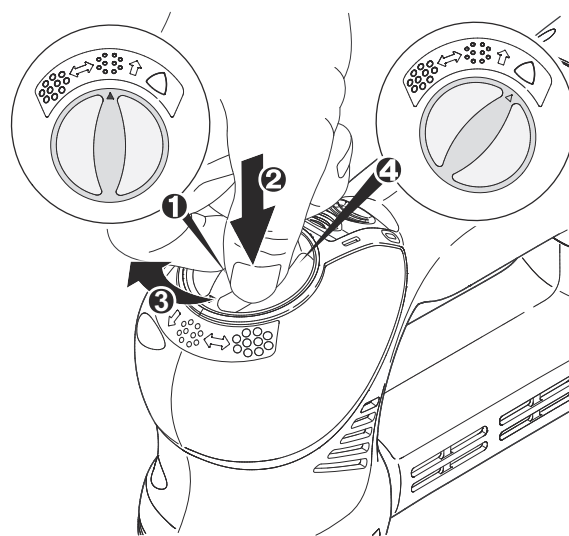
Esta posición se utiliza con la zapata delta y con la zapata de lamas; el movimiento giratorio está bloqueado.



En esta posición puede cambiar el plato lijador o la zapata.



La barra de detención [1-8] bloquea el montaje de la zapata en las posiciones del conmutador de trazado en curva ROTEX y movimiento excéntrico.



4

## 8.3 Cambiar el plato lijador y el plato pulidor [5]



Utilice solamente platos lijadores y platos pulidores permitidos para el número de revoluciones máximo indicado.

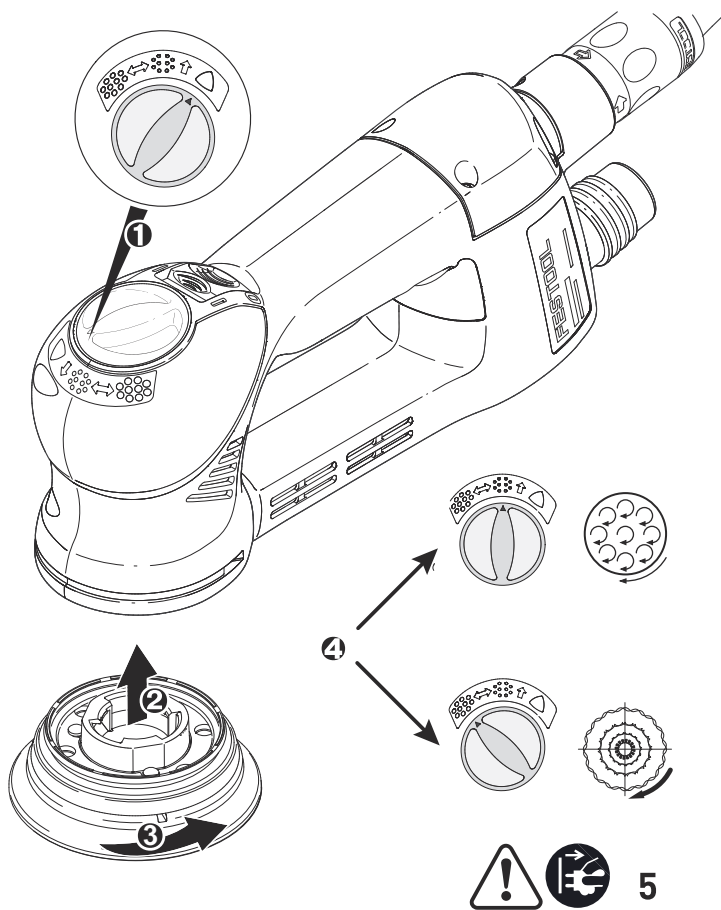
Sobre la superficie de trabajo, la herramienta se puede equipar con dos platos lijadores duros diferentes.

**Duro:** lijado basto y lijado fino sobre superficies. Lijado de cantos.

**Blando:** Universal para el lijado basto y el lijado fino, para superficies planas y abombadas.

Mediante el montaje del Interface-Pad [1-12] sobre el plato lijador, se reduce la resistencia = extrablando.

- Después del cambio de plato, ajuste el conmutador [1-2] al movimiento de lijado deseado.

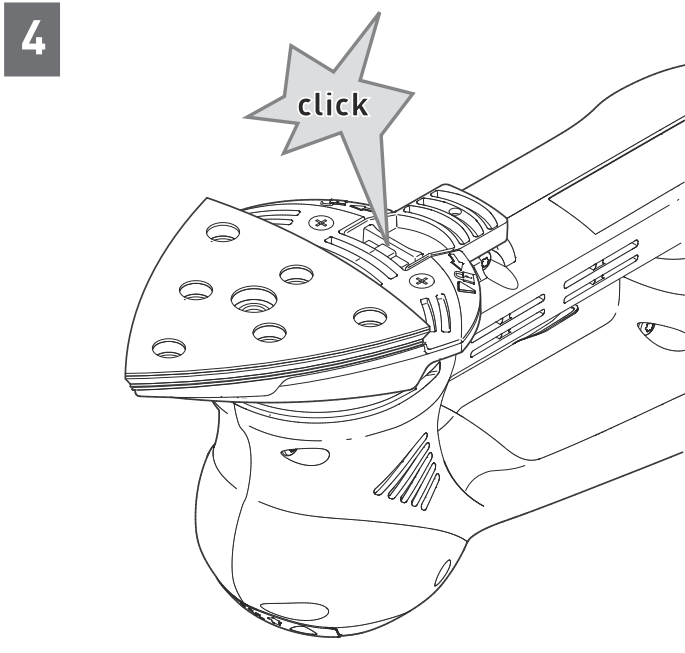
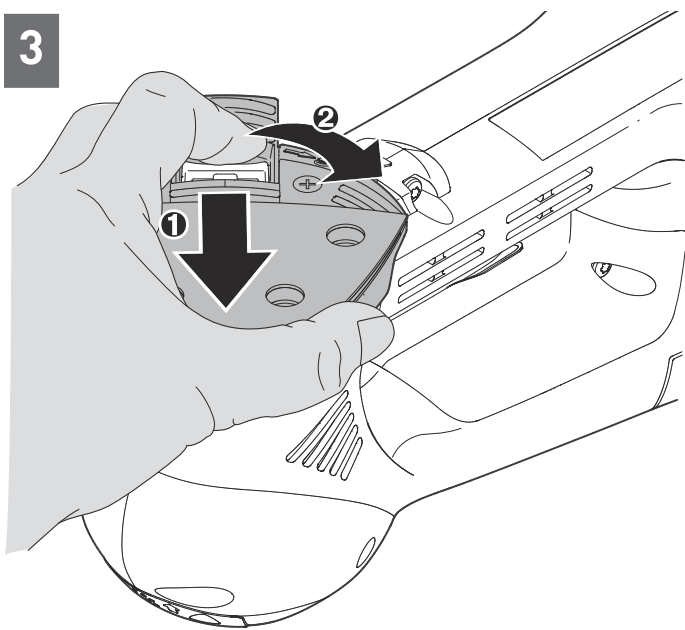
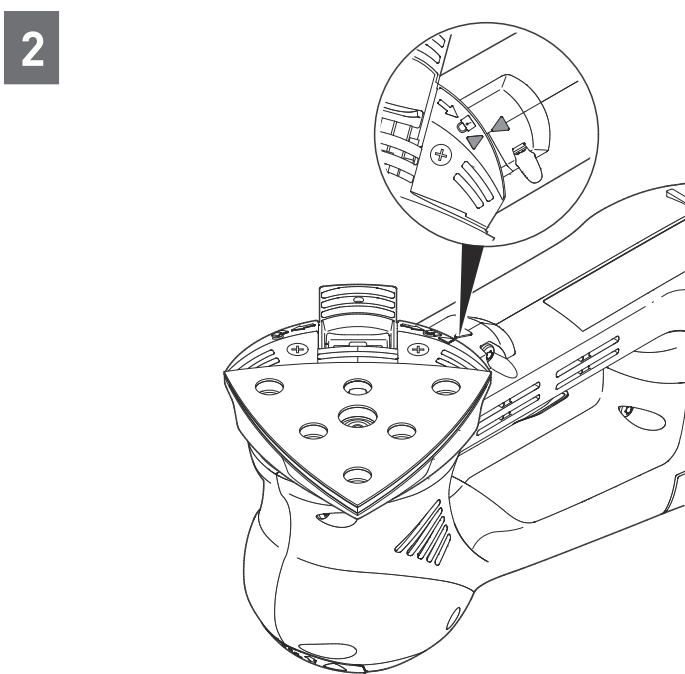
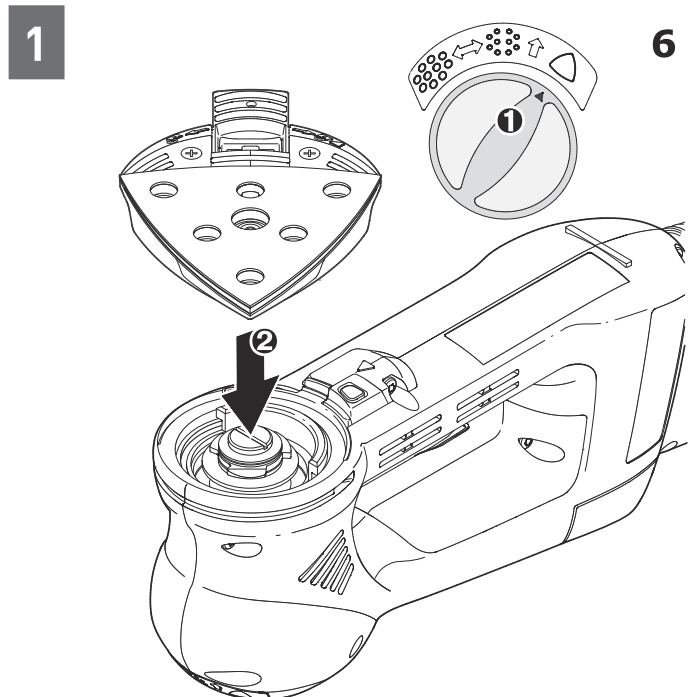


#### 8.4 Cambiar la zapata [6]

Con la zapata delta DSS-GE-STF-R090 puede lijar cerca de los bordes, en esquinas o en cantos. Con la zapata de lamina LSS-STF-R090 puede lijar en huecos como pueden ser las contraventanas.

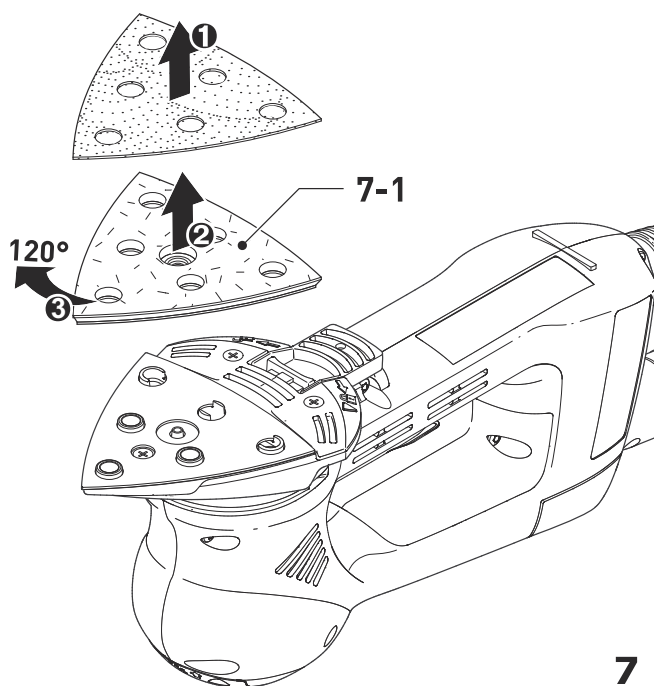
#### Tenga en cuenta las siguientes advertencias:

El trabajo en esquinas y cantos conlleva un esfuerzo localizado en la punta y una mayor generación de calor. Por ello, trabaje con presión reducida.



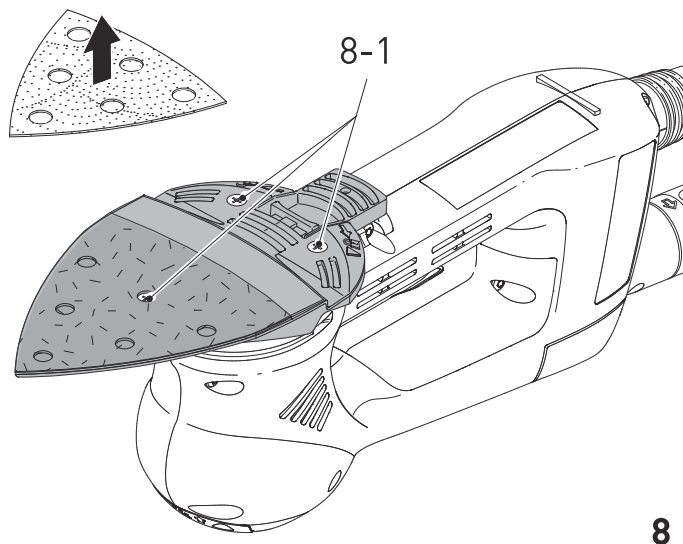
### Zapata delta DSS-GE-STF-R090 [7]

En caso de que la StickFix-Pad [7-1] de la zapata delta esté desgastada por la punta delantera, retírela y gírela 120°.



### Zapata de lamas LSS-STF-R090 [8]

En caso de que la capa StickFix de la zapata de lamas esté desgastada, puede sustituirse toda la mesa. Para ello, afloje los tornillos [8-1].



### 8.5 Fijar los accesorios de lijado

En el plato lijador y la zapata StickFix, el abrasivo StickFix y el vellón de lijar StickFix correspondientes se pueden fijar de forma rápida y sencilla.

- Presione el accesorio de lijado autoadhesivo sobre el plato [1-7] lijador.

⚠ Sólo utilice lijas que tengan el recubrimiento Stickfix intacto. Inspecciónelos antes de usarse para asegurarse que el recubrimiento autoadhesivo no ha sufrido algún daño por su uso incorrecto (por ejemplo, por sobrecalentamiento)

### 8.6 Fijación de los accesorios de pulido

Para evitar daños, los accesorios PoliStick (esponjas, fieltros, piel de cordero) sólo se pueden montar en el plato pulidor especial.

- Presione el accesorio de pulido autoadhesivo sobre el plato [1-9] pulidor.

### 8.7 Aspiración



#### ADVERTENCIA

#### Consecuencias perjudiciales para la salud a causa del polvo

- El polvo puede ser perjudicial para la salud. Por este motivo, no trabaje nunca sin aspiración.
- Durante la aspiración de polvo perjudicial para la salud, respete siempre las normativas nacionales.

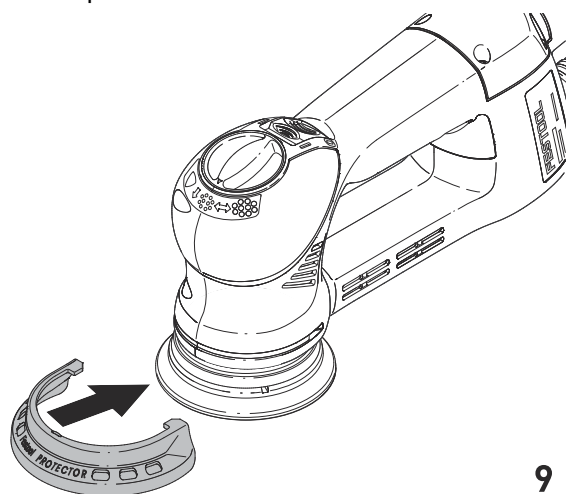
En los racores de aspiración [1-5] puede conectarse un aspirador Festool con un diámetro de tubo flexible de aspiración de 27 mm.

**Recomendación:** utilizar tubos flexibles de aspiración antiestáticos, pues reducen la carga electrostática.

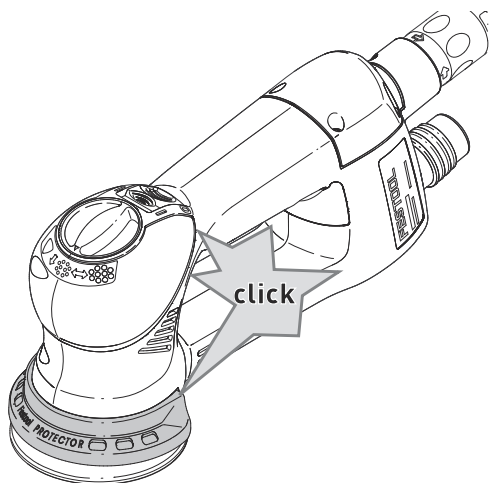
### 8.8 Protección de cantos (Protector) [9]

La protección de cantos [1-1] reduce el riesgo de que el perímetro del plato lijador toque la superficie (p. ej. al lijar una pared o una ventana) y de que se produzca un contragolpe de la máquina o se produzcan daños.

1



9



2

## 9 Trabajo con la máquina



### ADVERTENCIA

#### Peligro de lesiones

- Fije la pieza de trabajo siempre de forma que no se pueda mover cuando se trabaje con ella.

### 9.1 Tabla A: lijado

		Lijado basto				Lijado fino			
	Barniz, pigmento de carga, emplaste	X		5 - 6	blando	X		1 - 3	extrablando
	Barniz, pintura	X		5 - 6	duro	X		3 - 6	duro
	Madera, enchapado	X		5 - 6	duro	X		3 - 6	blando
	Plástico	X	X	1-4	blando	X		1 - 4	blando/ extrablando
	Acero, cobre, aluminio	X		6	blando	X		3 - 6	blando
	Pinturas y barnices VOC					X		2 - 4	extrablando- duro

### Tenga en cuenta las siguientes advertencias:

- ¡No sobrecargue la máquina aplicando demasiada presión! Los mejores resultados de lijado se consiguen aplicando una presión moderada. La calidad y el rendimiento de lijado dependen fundamentalmente de la elección del abrasivo adecuado.
- Sujete la máquina con ambas manos sobre la carcasa del motor y la cabeza del engraje.



Las tablas A y B muestran las posiciones recomendadas para los diferentes trabajos de lijado y pulido.

## 9.2 Tabla B - pulir

		<b>Pulir</b>	<b>Sellar</b>	<b>Pulir brillante</b>
Pintura 		6	3	4 - 6
		Esponja gruesa/fina	Esponja fina/gofrado	Piel de cordero
		Pasta del pulido	Cera dura	-
Plástico 		6	3	6
		Fieltro duro	Fieltro blando	Piel de cordero
		Pasta de pulido	Cera dura	-

### 9.3 Cable de prolongación

Si se necesita un cable de prolongación, este debe tener una sección transversal suficiente para evitar una caída excesiva de voltaje o un sobrecalentamiento. Una caída excesiva de voltaje reduce la potencia y puede ocasionar un fallo del motor. La siguiente tabla muestra el diámetro correcto del cable para esta herramienta en función de su longitud.

**Tab. 9.1: Dimensiones del cable en AWG**

Amperaje de la herramienta	Longitud del cable en pies			
	25	50	100	150
3-6	18	16	16	14
6-8	18	16	14	12
8-10	18	16	14	12
10-12	16	16	14	12
12-16	14	12	-	-

**Tab. 9.2: Dimensiones del cable en mm<sup>2</sup>**

Amperaje de la herramienta	Longitud del cable en metros			
	15	30	60	120
3-6	0,75	0,75	1,5	2,5
6-8	0,75	1,0	2,5	4,0

Amperaje de la herramienta	Longitud del cable en metros			
8-10	0,75	1,0	2,5	4,0
10-12	1,0	2,5	4,0	-
12-16	-	-	-	-

Usar solo cables de prolongación contemplados por los estándares UL y CSA.

No utilizar nunca dos cables de prolongación juntos. Utilizar uno largo en su lugar.



Cuanto más bajo sea el número AWG, más fuerte será el cable.

## 10 Mantenimiento y limpieza



### ADVERTENCIA

**Cualquier trabajo de mantenimiento o reparación que requiera abrir el motor o la carcasa del engranaje deberá ser realizado únicamente por un Centro de Atención al Cliente (nombre proporcionado por su concesionario).**

- Los trabajos de mantenimiento o reparación realizados por una persona no autorizada podrían provocar la conexión incorrecta de los conductores de alimentación u otros componentes, lo que a su vez podría provocar accidentes con consecuencias graves.

**ADVERTENCIA**

**Para prevenir los accidentes, antes de realizar cualquier trabajo de mantenimiento o reparación en la máquina retire siempre el enchufe de la toma de corriente.**

- ▶ No utilice aire a presión para limpiar las herramientas eléctricas. No intente limpiar las partes internas de la máquina de este modo, ya que podría permitir la entrada de objetos extraños a través de las aperturas de la carcasa de la máquina.

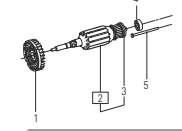
**PRECAUCIÓN**

**Algunos productos de limpieza y disolventes resultan perjudiciales para las piezas de plástico.**

- ▶ Algunos de ellos incluyen, entre otros, gasolina, acetona, metilacetona (MEK) y oxocloruro de carbono. Los productos de limpieza normalmente contienen cloro y amoníaco y los productos de limpieza del hogar contienen amoníaco.

**FESTOOL**

**El Servicio de Atención al Cliente y de Reparaciones** solo está disponible a través del fabricante o los talleres de reparación. Dirección más cercana en: [www.festoolusa.com/service](http://www.festoolusa.com/service)

**EKAT****FESTOOL**

Utilizar únicamente piezas de recambio Festool originales. Referencia en: [www.festoolusa.com/service](http://www.festoolusa.com/service)

A fin de garantizar una correcta circulación del aire, las aberturas para el aire de refrigeración dispuestas en la carcasa del motor deben mantenerse libres y limpias.

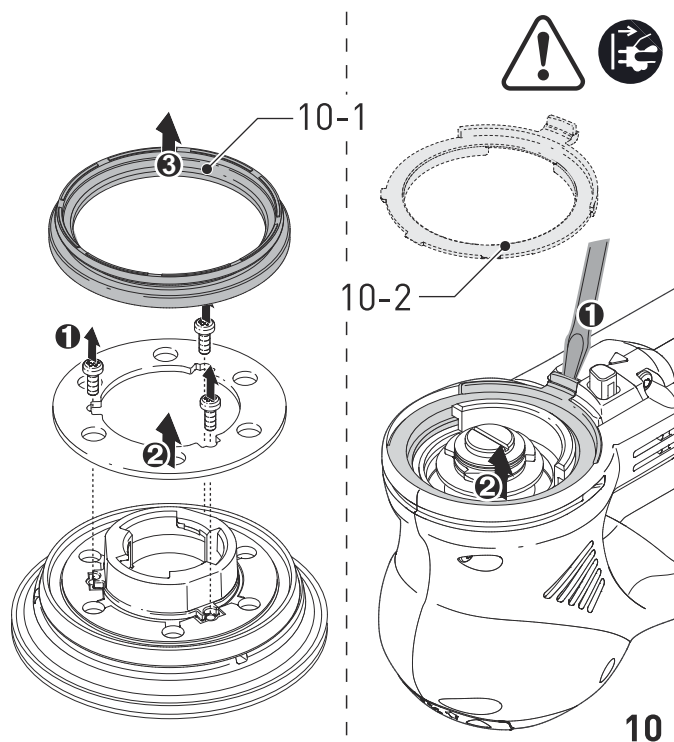
La máquina está equipada con escobillas especiales autodesconectables. Si las escobillas están desgastadas, se interrumpe automáticamente la corriente y la máquina se detiene.

Comprobar que todas las advertencias de la herramienta eléctrica sean legibles y estén completas. Reemplazar las advertencias que falten o que no sean legibles.

**10.1 Freno de plato**

El retén de goma **[10-1]** del plato lijador y el anillo de detención **[10-2]** de la máquina impiden que durante el movimiento excéntrico (lija-

do fino) el número de revoluciones del plato lijador aumente sin control. Dado que estas piezas se desgastan con el paso del tiempo, debe sustituirlas cuando disminuya el efecto de frenado (véase la referencia en la lista de piezas de repuesto).

**11 Accesorios**

Utilice únicamente los accesorios Festool originales y el material de consumo Festool diseñados para esta máquina, puesto que los componentes de este sistema están óptimamente adaptados entre sí. La utilización de accesorios y material de consumo de otros fabricantes puede afectar a la calidad de los resultados de trabajo y conllevar una limitación de los derechos de la garantía. El desgaste de la máquina o de su carga personal puede variar en función de la aplicación. Utilice únicamente accesorios originales y material de consumo de Festool para su propia protección y la de la máquina, así como de los derechos de la garantía.

Utilice solo platos lijadores y pulidores originales de Festool. El uso de platos lijadores y pulidores de poca calidad puede originar considerables desequilibrios que reducen la calidad de los resultados de trabajo y aumentan el desgaste de la máquina.

Los números de pedido para los respectivos accesorios y herramientas se encuentran en su catálogo Festool o en la dirección de Internet "[www.festoolusa.com](http://www.festoolusa.com)".



## 11.1 SYSTAINER

### Systainer

Muchos de los productos Festool se entregan en un embalaje exclusivo denominado "Systainer" que sirve de protección a la herramienta y sus complementos, además de facilitar su almacenamiento. Los Systainer pueden apilarse y encajan unos con otros. Además se adaptan sin problema a cualquier aparato de aspiración CT de Festool.

#### Para abrir el Systainer


 Gire el T-loc **[SYS-b-1]** a esta posición.

#### Para cerrar el Systainer


 Gire el T-loc **[SYS-b-1]** a esta posición.

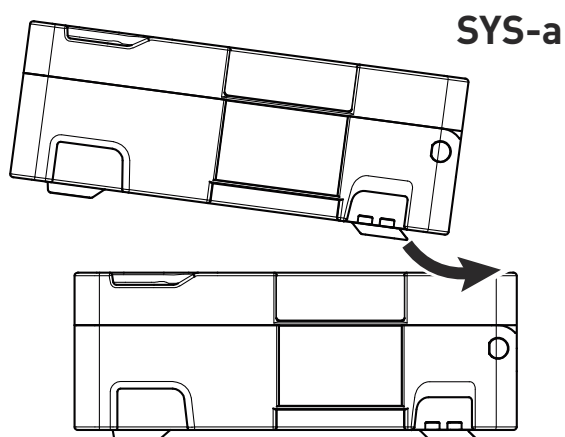
#### Para encajar dos Systainer

Ponga el Systainer sobre un otro **[SYS-a]**.

 Gire el T-loc **[SYS-b-1]** a una de estas posiciones (Fig. **[SYS-b]**).

Los Systainers están encajados y cerrados.

 Un Systainer de la nueva generación es encajable encima de un Systainer de la generación anterior con los cuatro enganches del Systainer anterior.



## 12 Medio ambiente

**No deseche la herramienta junto con los residuos domésticos.** Recicle las herramientas, accesorios y embalajes de forma respetuosa con el medio ambiente. Respete la normativa vigente del país.

