

en	Original instructions - Edge router	3
fr	Notice d'utilisation d'origine - Affleureuse	13
es	Manual de instrucciones original - Lijadora de cantos	24



Read all instructions before using
Lire toutes les instructions avant de démarrer les travaux.
Lea y comprende todas las instrucciones antes de usar.



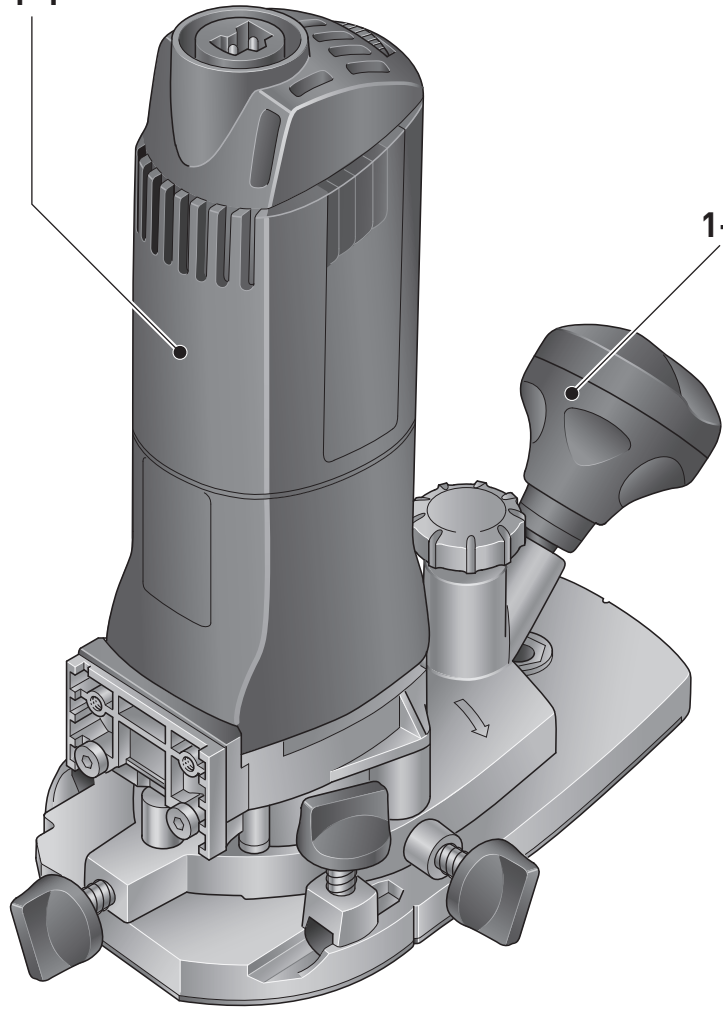
MFK 700 EQ



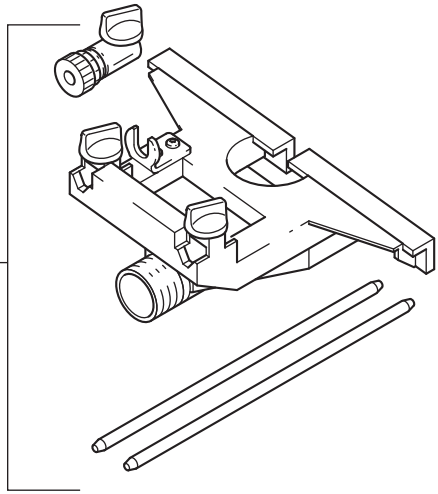
1

1-1

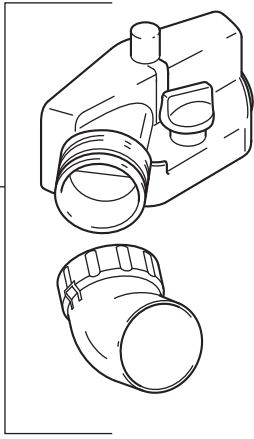
1-5



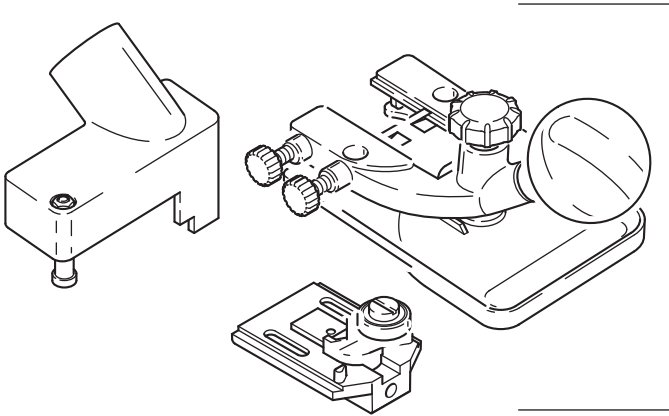
1-2



1-3



1-4






Contents

1	About this manual.....	3
2	Symbols.....	3
3	Safety warnings.....	3
4	Intended use.....	5
5	Technical data.....	6
6	Functional description.....	6
7	Commissioning.....	6
8	Settings.....	7
9	Working with the electric power tool.....	9
10	Service and maintenance.....	10
11	Accessories.....	11
12	Environment.....	12


1 About this manual







Save these instructions

It is important for you to read and understand this manual. The information it contains relates to protecting **your safety** and **preventing problems**. The symbols below are used to help you recognize this information.

	DANGER	Description of imminent hazard and failure to avoid hazard will result in death.
	WARNING	Description of hazard and possible resulting injuries or death.
	CAUTION	Description of hazard and possible resulting injuries.
	NOTICE	Description of possible damage of the device or its surroundings.


2 Symbols

	Warning of general danger
	Warning of electric shock
	Read the operating instructions and safety instructions.
	Wear ear protection.
	Wear a dust mask.
	Wear protective gloves.
	Wear protective goggles.

	Disconnecting the mains power cable
	Connecting the mains power cable
	Safety class II
	Tip or advice
	Handling instruction
W	Watt
V	Volt
A	Ampere
Hz	Hertz
~	alternating current
a.c.	alternating current
n_0	no load speed
rpm	Revolutions per minute
min^{-1}	Revolutions per minute
"	Inch
lb.	Pound
kg	Kilogram
	diameter
mm	Millimetre
°	angular degree

3 Safety warnings

3.1 General power tool safety warnings

 **WARNING! Read all safety warnings, instructions, illustrations and specifications provided with this power tool.** Failure to follow all instructions listed below may result in electric shock, fire and/or serious injury. **Save all warnings and instructions for future reference.**

The term "power tool" in the warnings refers to your mains-operated (corded) power tool or battery-operated (cordless) power tool.

1 WORK AREA SAFETY

- Keep work area clean and well lit.** Cluttered or dark areas invite accidents.
- Do not operate power tools in explosive atmospheres, such as in the presence of flammable liquids, gases or dust.** Power tools create sparks which may ignite the dust or fumes.

- c. **Keep children and bystanders away while operating a power tool.** Distractions can cause you to lose control.

2 ELECTRICAL SAFETY

- a. **Power tool plugs must match the outlet. Never modify the plug in any way. Do not use any adapter plugs with earthed (grounded) power tools.** Unmodified plugs and matching outlets will reduce risk of electric shock.
- b. **Avoid body contact with earthed or grounded surfaces, such as pipes, radiators, ranges and refrigerators.** There is an increased risk of electric shock if your body is earthed or grounded.
- c. **Do not expose power tools to rain or wet conditions.** Water entering a power tool will increase the risk of electric shock.
- d. **Do not abuse the cord. Never use the cord for carrying, pulling or unplugging the power tool. Keep cord away from heat, oil, sharp edges or moving parts.** Damaged or entangled cords increase the risk of electric shock.
- e. **When operating a power tool outdoors, use an extension cord suitable for outdoor use.** Use of a cord suitable for outdoor use reduces the risk of electric shock.
- f. **If operating a power tool in a damp location is unavoidable, use a residual current device (RCD) protected supply.** Use of an RCD reduces the risk of electric shock.

3 PERSONAL SAFETY

- a. **Stay alert, watch what you are doing and use common sense when operating a power tool. Do not use a power tool while you are tired or under the influence of drugs, alcohol or medication.** A moment of inattention while operating power tools may result in serious personal injury.
- b. **Use personal protective equipment. Always wear eye protection.** Protective equipment such as a dust mask, non-skid safety shoes, hard hat or hearing protection used for appropriate conditions will reduce personal injuries.
- c. **Prevent unintentional starting. Ensure the switch is in the off-position before connecting to power source and/or battery pack, picking up or carrying the tool.** Carrying power tools with your finger on the switch or energising power tools that have the switch on invites accidents.

- d. **Remove any adjusting key or wrench before turning the power tool on.** A wrench or a key left attached to a rotating part of the power tool may result in personal injury.
- e. **Do not overreach. Keep proper footing and balance at all times.** This enables better control of the power tool in unexpected situations.
- f. **Dress properly. Do not wear loose clothing or jewellery. Keep your hair and clothing away from moving parts.** Loose clothes, jewellery or long hair can be caught in moving parts.
- g. **If devices are provided for the connection of dust extraction and collection facilities, ensure these are connected and properly used.** Use of dust collection can reduce dust-related hazards.
- h. **Do not let familiarity gained from frequent use of tools allow you to become complacent and ignore tool safety principles.** A careless action can cause severe injury within a fraction of a second.

4 POWER TOOL USE AND CARE

- a. **Do not force the power tool. Use the correct power tool for your application.** The correct power tool will do the job better and safer at the rate for which it was designed.
- b. **Do not use the power tool if the switch does not turn it on and off.** Any power tool that cannot be controlled with the switch is dangerous and must be repaired.
- c. **Disconnect the plug from the power source and/or remove the battery pack, if detachable, from the power tool before making any adjustments, changing accessories, or storing power tools.** Such preventive safety measures reduce the risk of starting the power tool accidentally.
- d. **Store idle power tools out of the reach of children and do not allow persons unfamiliar with the power tool or these instructions to operate the power tool.** Power tools are dangerous in the hands of untrained users.
- e. **Maintain power tools and accessories. Check for misalignment or binding of moving parts, breakage of parts and any other condition that may affect the power tool's operation. If damaged, have the power tool repaired before use.** Many accidents are caused by poorly maintained power tools.

- f. **Keep cutting tools sharp and clean.** Properly maintained cutting tools with sharp cutting edges are less likely to bind and are easier to control.
- g. **Use the power tool, accessories and tool bits etc. in accordance with these instructions, taking into account the working conditions and the work to be performed.** Use of the power tool for operations different from those intended could result in a hazardous situation.
- h. **Keep handles and grasping surfaces dry, clean and free from oil and grease.** Slippery handles and grasping surfaces do not allow for safe handling and control of the tool in unexpected situations.

5 SERVICE

- a. **Have your power tool repaired by qualified specialists only and always use original spare parts.** This ensures that the safety of the power tool is maintained.
- b. **Only use original parts for repairs and maintenance.** The use of incompatible accessories or spare parts can result in electric shocks or other injuries.

3.2 Machine-specific safety notices

- **Hold the power tool by insulated gripping surfaces only, because the cutter may contact its own cord.** Cutting a "live" wire may make exposed metal parts of the power tool "live" and could give the operator an electric shock.
- **Use clamps or another practical way to secure and support the workpiece to a stable platform.** Holding the work by your hand or against the body leaves it unstable and may lead to loss of control.
- Do not clamp tools with an unsuitable shank diameter in the clamping collet.
- Operate power tool only with properly installed guide table and extraction hood
- **Only cutters provided by Festool for this purpose may be mounted on the power tool.** The use of other cutters is prohibited due to the increased risk of injury.
- Only use tools that meet standard EN 847-1. All Festool routing tools fulfil these requirements.
- The clamping collet and locking nut must not show any signs of damage
- Do not use cracked or deformed router bits.

- Ensure that the router bit is seated firmly and that it runs perfectly.
- **The maximum rotational speed specified on the tool must not be exceeded or the rotational speed range must be observed.** Accessories that rotate faster than the permissible level can rupture.
- Do not work on the power tool if its electronics are defective as this may lead to excessive speeds. You can tell if the electronics are defective if there is no smooth start-up, if it is not possible to regulate the speed and in the event of generation of smoke or the smell of burning from the machine.



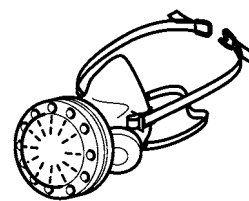
Wear suitable personal protective equipment: Ear protection, protective goggles, dust mask for work that generates dust, protective gloves for working with rough materials and for changing tools.

3.3 Health hazard by dust



WARNING! various dust created by power sanding, sawing, grinding, drilling and other construction activities contains chemicals known (to the State of California) to cause cancer, birth defects or other reproductive harm. Some examples of these chemicals are:

- lead from lead-based paints,
- crystalline silica from bricks and cement and other masonry products, and
- arsenic and chromium from chemically treated lumber.



The risk from these exposures varies, depending on how often you do this type of work. To reduce your exposure to these chemicals: work in a well ventilated

area, and work with approved safety equipment, such as dust masks that are specially designed to filter out microscopic particles. Wash hands after handling.




WARNING

TO REDUCE THE RISK OF INJURY, USER MUST READ INSTRUCTION MANUAL.

4 Intended use

The power tool is designed for routing wood, plastic and similar materials.

 The user is liable for improper or non-intended use.

5 Technical data

Edge router	MFK 700 EQ
Power	720 W
Speed	10.000 - 26.000 min ⁻¹
Max. speed (no-load)	26.000 min ⁻¹
Tool holder	5/16" (optional: 6 mm, 1/4")
Max. routing diameter	26 mm/1"
Connection dia. d/e	1-1/16" (27 mm)
Weight as per EPTA procedure 01:2014:	4.4 lbs (2.0 kg)

6 Functional description

- [1-1]** MFK 700 with large support router table
- [1-2]** Side stop with guide bars and fine adjustment
- [1-3]** Extraction hood for large support router table with extractor connector
- [1-4]** Router table for edge veneer with follower roll and extraction hood (only in SET items included)
- [1-5]** Gripping surface, locking for routing depth
- [1-6]** Gripping surface

The pictures for the functional description are at the beginning of the instruction manual.

7 Commissioning



WARNING

Unauthorised voltage or frequency.

Risk of accidents

- The mains voltage and the frequency of the power source must correspond to the specifications on the name plate.
- In North America, only Festool machines with the voltage specifications 120 V/60 Hz may be used.

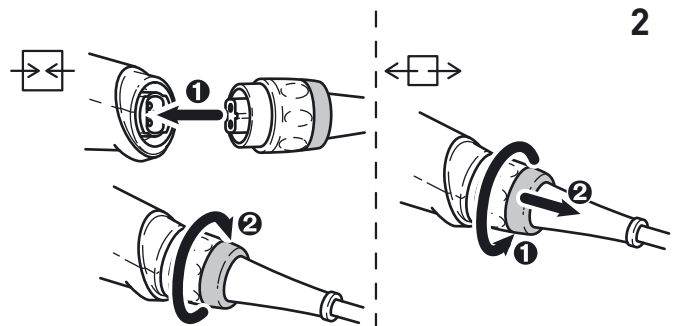


CAUTION

Heating of the Plug it connection if bayonet fitting is not completely locked

Risk of burns

- Before switching on the power tool, make sure that the bayonet fitting at the mains cable is closed fully and locked.



Connecting and detaching the mains power cable see Fig. [2].

7.1 Extension Cord

If an extension cord is required, it must have sufficient cross-section to prevent an excessive drop in voltage or overheating. An excessive drop in voltage reduces the output and can lead to failure of the motor. The table below shows you the correct cord diameter as a function of the cord length for this tool.

Cord Size in A.W.G

Tool's Ampere Rating	Cord Length in Feet			
	25	50	100	150
3-6	18	16	16	14
6-8	18	16	14	12
8-10	18	16	14	12
10-12	16	16	14	12
12-16	14	12	-	-

Wire Sizes in mm²

Tool's Ampere Rating	Cord Length in Meters			
	15	30	60	120
3-6	0.75	0.75	1.5	2.5
6-8	0.75	1.0	2.5	4.0
8-10	0.75	1.0	2.5	4.0
10-12	1.0	2.5	4.0	-
12-16	-	-	-	-

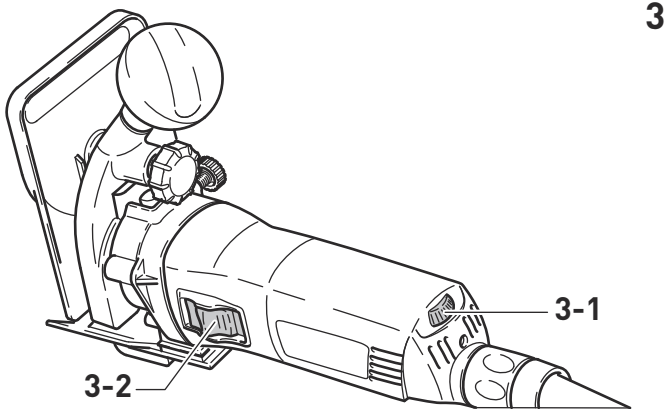
Use only NRTL listed extension cords.

Never use two extension cords together. Instead, use one long one.

- ⓘ The lower the AWG number, the stronger the cord.

7.2 Switching on/off

The switch **[3-2]** serves as an on/off switch (I = ON, 0 = OFF).



8 Settings



WARNING

Risk of injury, electric shock

- ▶ Always disconnect the mains plug from the socket before performing any work on the machine.

8.1 Electronics

Constant speed

The preselected motor speed is kept constant through electronic control. This ensures a uniform speed even when under load.

Speed control

You can use the adjusting wheel **[3-1]** to continuously adjust the speed within the speed range (see Section Technical data). This enables you to optimise the speed to suit the respective material. Please also note the specifications on the tools.

Scorch or melt marks on the material can be prevented through reducing the speed.

Temperature cut-out

The power supply is restricted and the speed reduced if the motor exceeds a certain temperature. The power tool continues operating at reduced power to allow the ventilator to cool the motor quickly. The power tool starts up again automatically once the motor has cooled sufficiently.

Restart protection

The built-in restart protection prevents the power tool from starting up again automatically if the power is disconnected when the on/off switch is pressed. In this case, the power tool must be switched off and then switched back on again.

Due to the built-in restart protection, the power tool cannot be switched on and off via an external switch module.

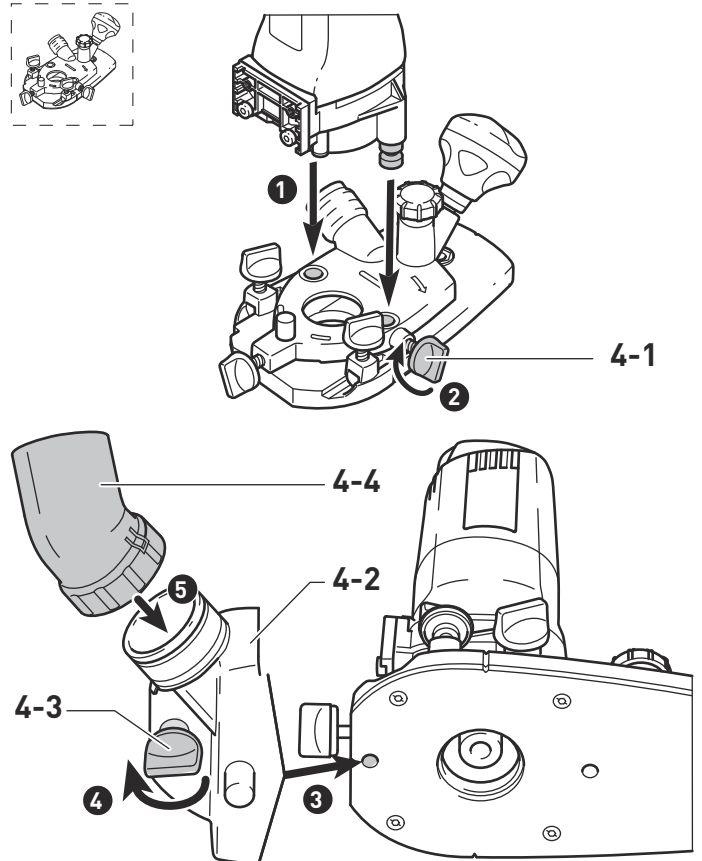
8.2 Replacing router table

The large surface router table is already fitted as standard. The large contact surface and precision adjustment features of this router table enable a high degree of accuracy. Other router tables are included in the accessories programme.

Large surface router table

- ▶ Slide the router table onto the retaining pin on the machine.
- ▶ Tighten the screw **[4-1]** to clamp the router table in position.
- ▶ Place the extraction hood **[4-2]** in position.
- ▶ Tighten the screw **[4-3]** to clamp the extraction hood in position.
- ▶ Place the extractor connector **[4-4]** on the extraction hood.

Removal in reverse order.

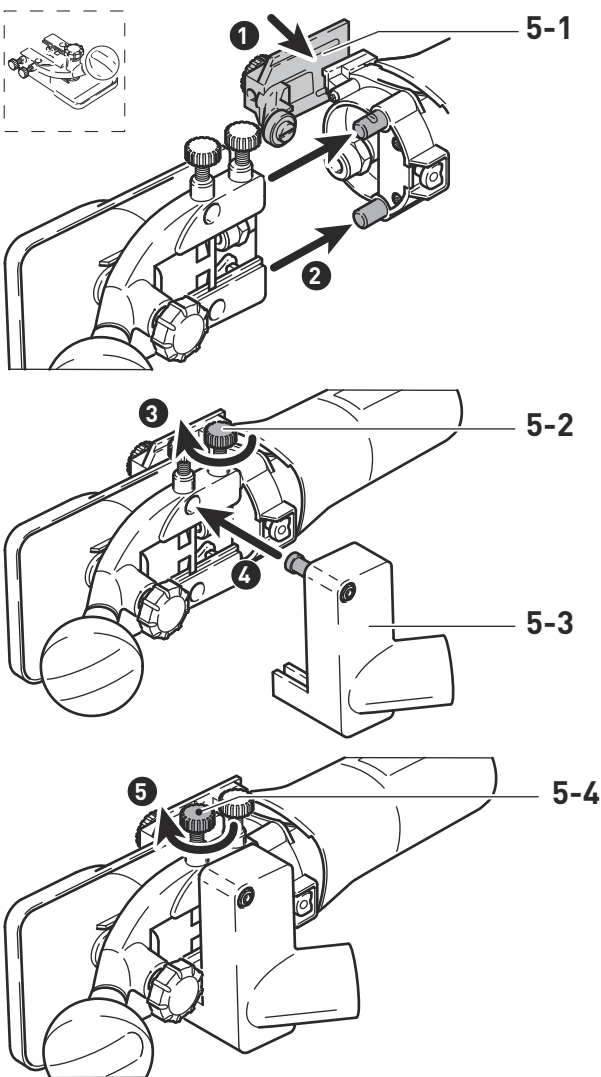


Router table for edge veneer

The "router table for edge veneer" (only in SET scope of delivery) is designed for flush trimming veneer overhang and profile routing.

- i The router table is tilted 1.5° so that the surface coating is not damaged during edge routing. A router table with 0° inclination angle for precise cuts is available as an accessory.
- ▶ Secure the sensor **[5-1]** to the machine using the preassembled screws. Slide the sensor in the long holes to adjust the routing tool to the perfect position.
- ▶ Slide the router table onto the retaining pin on the machine.
- ▶ Tighten the screw **[5-2]** to clamp the router table in position.
- ▶ Place the extraction hood **[5-3]** in position.
- ▶ Tighten the screw **[5-4]** to clamp the extraction hood in position.

Removal in reverse order.



8.3 Changing tools



CAUTION

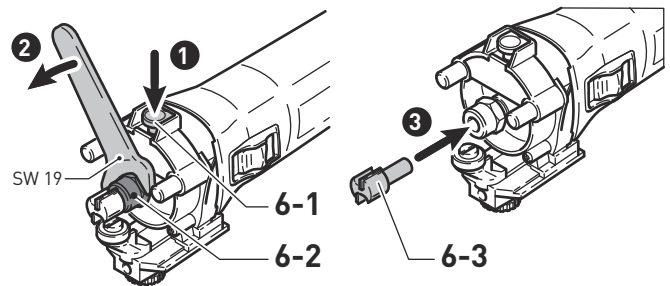
Risk of injury from hot and sharp insertion tool

- ▶ Do not use any blunt or faulty insertion tools.
- ▶ Wear protective gloves when handling an insertion tool.

Before replacing the cutter remove the router table.

Removing the tool

- ▶ Push spindle lock **[6-1]**.
- ▶ Slacken union nut **[6-2]** using open ended spanner (SW 19) until the tool can be removed.
- ▶ Release spindle lock **[6-1]**.



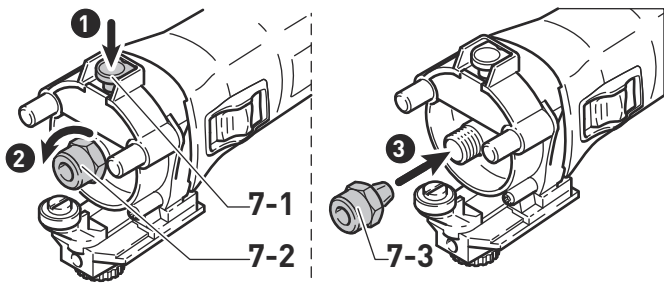
Inserting the tool

- ▶ Position the cutter **[6-3]** as far as possible, at least as far as the marking ∇ at the cutter shaft, into the open clamping collet.
- ▶ Push spindle lock **[6-1]**.
- ▶ Tighten union nut **[6-2]** using open ended spanner (SW 19).
- ▶ Release spindle lock **[6-1]**.

8.4 Replacing clamping collet

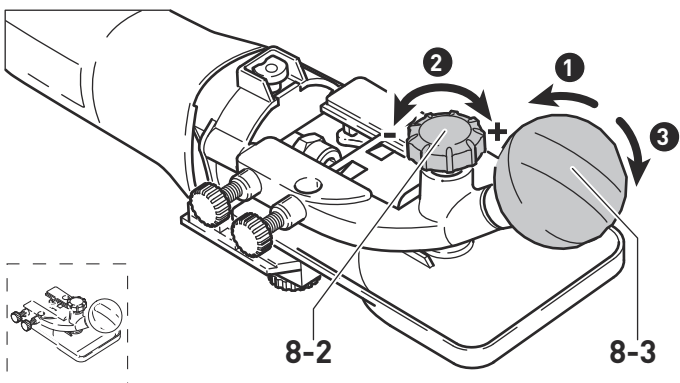
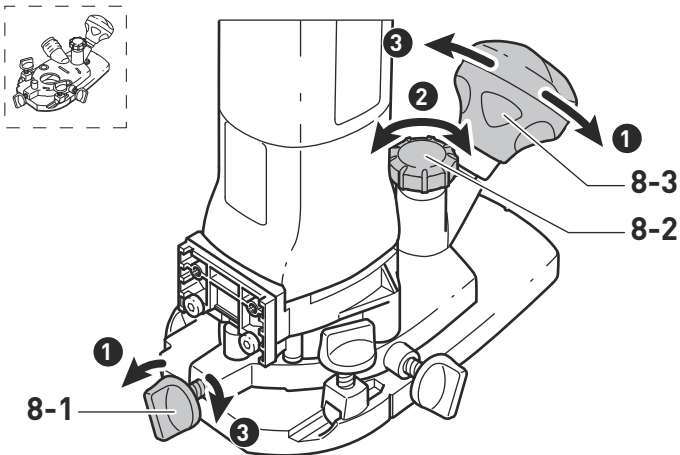
Only suitable tools can be used with the supplied collets. Collets with 8 mm, 6 mm and 1/4" (6.35 mm) can be used.

- ▶ Push spindle lock **[7-1]**.
- ▶ Unscrew union nut **[7-2]** fully.
- ▶ Release spindle lock **[7-1]**.
- ▶ Remove union nut together with the clamping collet **[7-3]** from the spindle. **Never separate the union nut and clamping collet!** They form one unit.
- ▶ Insert another clamping collet with union nut into the spindle.
- ▶ Gently turn union nut. **Do not tighten union nut if there is no cutter inserted!**



8.5 Setting the Mortise Depth

- ▶ Unscrew the rotary knob [8-3] and the clamp [8-1] (large surface router table only).
- ▶ Turn the rotary wheel [8-2] to set the router table to the required routing depth.
- ▶ Tighten the rotary knob [8-3] and the clamp [8-1] (large surface router table only).



8.6 Dust extraction



WARNING

Dust hazard

- ▶ Dust can be hazardous to health. Always work with a dust extractor.
- ▶ Always read applicable national regulations before extracting hazardous dust.

Extraction hoods are supplied for both router tables; a Festool extractor (extractor hose with a diameter of 1-1/16" [27 mm]) can be connected to these extraction hoods.

The dust extractor (extractor hose with dia. 1-1/16" [27 mm]) can also be attached to the large surface router table or the side stop depending on the application.

CAUTION! If an anti-static suction hose is not used, static charge may occur. The user may receive an electric shock and the electronics of the power tool may be damaged.

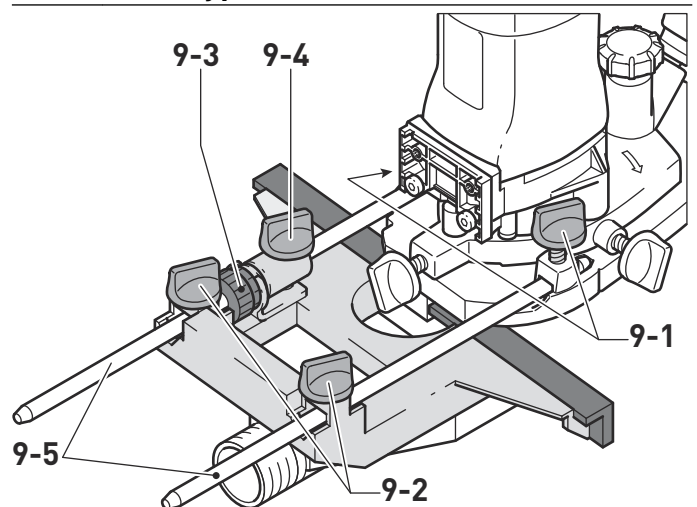
9 Working with the electric power tool



When working on the machine, observe all of the safety warnings that are listed at the start as well as the following rules:

- Always secure the workpiece in such a way that it cannot move during machining.
- Hold the machine with two hands – one on the motor housing and one on the gear head or on the additional handle [1-5] – to ensure safe guidance.
- Adjust the feed speed to the router diameter and the material. Work with a constant feed speed.
- Only guide the power tool towards the workpiece when it is switched on.
- **Wait until the power tool has come to a complete halt before placing it down.** The insertion tool can get caught and lead to a loss of control of the power tool.
- Make sure that the router table is firmly tightened before routing.
- When routing, ensure that the power tool's feed direction is the same as the tool's cutting direction.

9.1 Guide types



Routing with side stop

The side stop is positioned parallel to the workpiece edge.

The side stop can only be fitted to the large surface router table without a fitted extraction hood [4-2].

- ▶ Insert the fine adjuster [9-3] into the side stop.
- ▶ Secure both guide rods [9-5] with the two rotary knobs [9-2] on the side stop.
- ▶ Insert the side stop into the grooves on the router table to the required distance and secure the guide rods by turning the rotary knob [9-1].

Fine adjustment

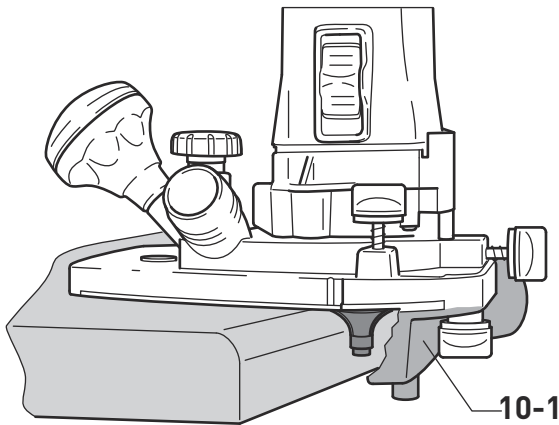
- ▶ Loosen the screws [9-2] and turn the green wheel on the fine adjuster [9-3].
The distance between each line on the rotary wheel is 0.1 mm - one full turn of the ring represents 1 mm.
- ▶ Tighten the screws [9-2].

Rough adjustment

- ▶ Loosen the screws [9-2] and [9-4] and slide the side stop.
- ▶ Tighten the screws.

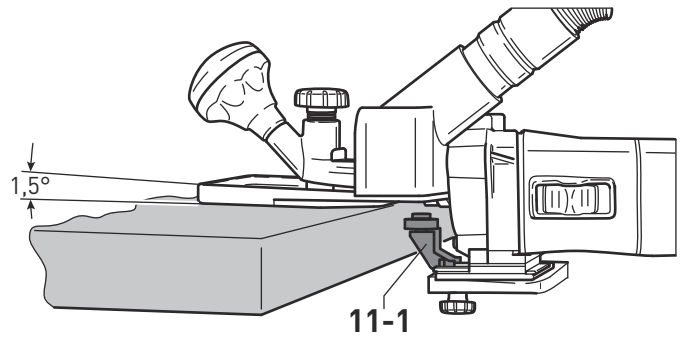
Edge trimming with bearing guide [Fig. 10]

Use routing tools with a bearing guide in the machine when edge trimming with the large surface router table. The machine is then guided in such a way that the bearing guide rolls off the workpiece. When trimming edges, always use the extraction hood [10-1] for improved dust extraction.



Edge trimming with sensor and router table for edge veneer [Fig. 11]

When edge trimming with the router table for edge veneer (only in SET scope of delivery), fit the sensor [11-1] to the machine (see Chapter). The machine is then guided in such a way that the sensor rests against the workpiece.



- When routing, ensure that the power tool's feed direction is the same as the tool's cutting direction.

10 Service and maintenance



WARNING

Any maintenance or repair work that requires opening of the motor or gear housing should only be carried out by an authorised Customer Service Centre (name supplied by your dealer)!

- ▶ Maintenance or repair work carried out by an unauthorised person can lead to the wrong connection of the power cord or other components, which in turn can lead to accidents with serious consequences.



WARNING

To prevent accidents, always remove the plug from the power supply socket before carrying out any changes or maintenance work on the tool!

- ▶ Do not use compressed air to clean the electrical tool! Do not try to clean parts inside the tool in this way, as you could let foreign objects in through the openings of the tool housing.



CAUTION

Certain cleaning agents and solvents are harmful to plastic parts.

- ▶ Some of these include, but are not limited to: Gasoline, Acetone, Methyl Ethyl Ketone (MEK), Carbonyl Chloride, cleaning solutions containing Chlorine, Ammonia, and household cleaners containing Ammonia.



Customer service and repairs must only be carried out by the manufacturer or service workshops. Find the nearest address at:
www.festoolusa.com/service



Always use original Festool spare parts. Order no. at:
www.festoolusa.com/service

- ▶ Damaged safety devices and components must be repaired or replaced in a recognised specialist workshop, unless otherwise indicated in the operating instructions.
- ▶ The tool is equipped with special self-disconnecting carbon brushes. If they wear out, the power supply is disconnected automatically and the tool stops.
- ▶ To ensure constant air circulation, always keep the cooling air openings in the motor housing clean and free of blockages.

11 Accessories

Use only original Festool accessories and Festool consumable material intended for this machine. These components are designed specifically for this machine. Using accessories and consumable material from other suppliers will most likely affect the quality of your results and limit warranty claims. Machine wear or your own personal workload may increase depending on the application. Protect yourself and your machine, and preserve your warranty claims by always using original Festool accessories and Festool consumable material!

The order numbers of the accessories and tools can be found in the Festool catalogue or on the Internet under "www.festoolusa.com".

11.1 SYSTAINER

Systainer

Many Festool products are shipped in a unique system container, called "Systainer". This provides protection and storage for the tool and accessories. The Systainers are stackable and can be interlocked together. They also can be interlocked atop Festool CT dust extractors.

To open the Systainer



Turn the T-loc **[SYS-b-1]** to this position.

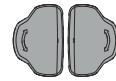
To lock the Systainer



Turn the T-loc **[SYS-b-1]** to this position.

To connect two Systainers

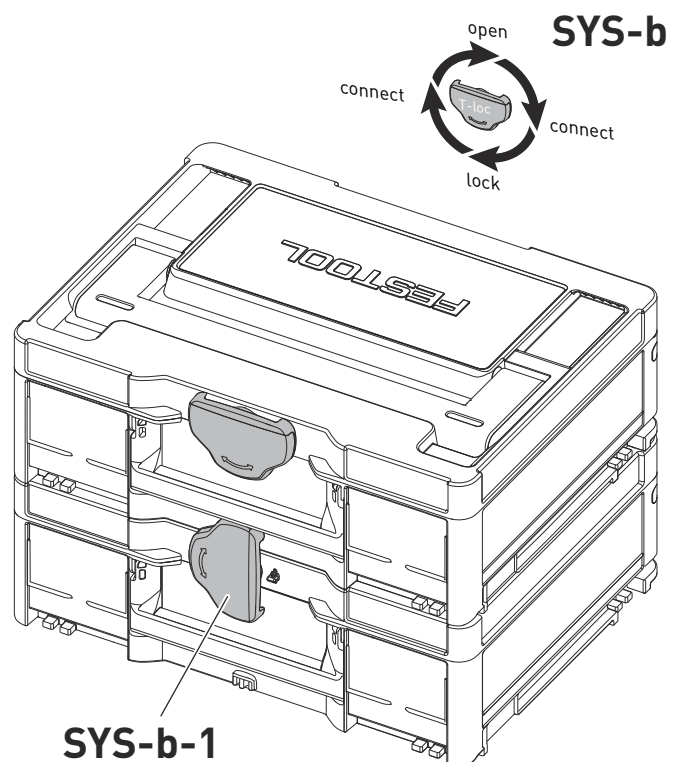
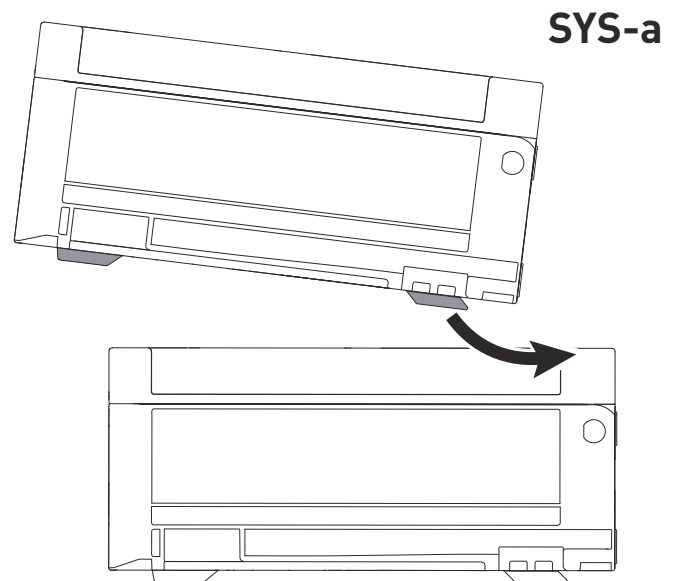
Place one Systainer on the top of the other (Fig. **[SYS-a]**).



Turn the T-loc **[SYS-b-1]** to one of this positions (Fig. **[SYS-b]**).

The Systainers are connected and locked.

- ⓘ A Systainer Classic Line can be connected to a Systainer T-Loc or to a Systainer³ from below via its four locking devices. A Systainer T-Loc can be connected to a Systainer³ both from below and from above.



12 Environment

Do not dispose of the device as domestic waste! Dispose of machines, accessories and packaging at an environmentally responsible recycling centre. Observe the respective national regulations.

Sommaire

1	À propos de ce manuel.....	13
2	Symboles.....	13
3	Consignes de sécurité.....	14
4	Utilisation en conformité avec les instructions.....	16
5	Caractéristiques techniques.....	16
6	Éléments de l'appareil.....	17
7	Mise en service.....	17
8	Réglages.....	18
9	Utilisation de l'outil électroportatif.....	20
10	Maintenance et entretien.....	22
11	Accessoires.....	22
12	Environnement.....	23



Porter des gants de protection !



Porter des lunettes de protection !



Débrancher le câble de raccordement secteur



Brancher le câble de raccordement secteur



Classe de protection II



Conseil, information



Instruction

W

Watt

V

Volt

A

Ampère

Hz

Hertz

~

a.c.

Tension alternative

n_0

Vitesse de rotation à vide

rpm

min^{-1}

tr/mi

n

Tours ou course par minute

"

Pouce

lb.

Livre

kg

kilogramme



Diamètre

mm

millimètre

°

degré angulaire

1 À propos de ce manuel

Conservez ces instructions

Il est important pour vous de lire et de comprendre ce manuel. Les informations qu'il contient, se rapporte à la protection **de votre sécurité** et **de prévention des problèmes**. Les symboles suivants sont utilisés pour vous aider à reconnaître cette information.



DANGER Description du risque imminent et l'incapacité à éviter tout risque qui peut entraîner la mort.



AVERTISSEMENT Description des dangers possibles et des blessures qui en résultent ou la mort.



ATTENTION Description des dangers et des éventuelles blessures qui en résultent.

AVIS

Description des dommages potentiels sur l'appareil ou dans son environnement.

2 Symboles



Avertit d'un danger général



Avertit d'un risque de décharge électrique



Lire le mode d'emploi et les consignes de sécurité !



Porter une protection auditive !



Porter une protection respiratoire !

3 Consignes de sécurité

3.1 Consignes générales de sécurité pour outils électroportatifs



AVERTISSEMENT ! Veuillez lire toutes les consignes de sécurité, instructions, illustrations et caractéristiques techniques qui accompagnent le présent outil électroportatif.

Des négligences relatives aux instructions suivantes peuvent occasionner un choc électrique, un incendie et/ou des blessures graves.

Conserver l'ensemble des consignes de sécurité et des instructions afin de pouvoir les consulter ultérieurement.

Le terme « outil électroportatif » utilisé dans les consignes de sécurité se rapporte aux outils électroportatifs fonctionnant sur secteur (avec câble) et aux outils électroportatifs fonctionnant sur batterie (sans câble).

1 SÉCURITÉ DU POSTE DE TRAVAIL

- Veillez à ce que la zone de travail soit propre et bien éclairée.** Un poste de travail en désordre ou mal éclairé peut entraîner des accidents.
- Ne vous servez pas de l'outil électroportatif dans un environnement où il y a un risque d'explosion dû à la présence de liquides inflammables, de gaz ou de poussières.** Les outils électroportatifs peuvent générer des étincelles susceptibles d'enflammer la poussière ou les vapeurs.
- Éloignez les enfants et d'autres personnes pendant l'utilisation de l'outil électroportatif.** Si vous êtes distrait, vous pouvez perdre le contrôle de l'outil électroportatif.

2 SÉCURITÉ ÉLECTRIQUE

- Le connecteur de l'outil électroportatif doit correspondre à la prise électrique. Le connecteur ne doit être modifié d'aucune façon. N'utilisez pas d'adaptateur avec des outils électroportatifs mis à la terre.** Des connecteurs intacts et des prises correspondantes diminuent le risque d'un choc électrique.
- Évitez tout contact avec des surfaces mises à la terre telles que des tuyaux, chauffages, cuisinières et réfrigérateurs.** Un risque élevé de choc électrique existe si votre corps est relié à la terre.
- Protégez les outils électroportatifs de la pluie et de l'humidité.** L'infiltration d'eau dans un outil électroportatif augmente le risque de choc électrique.

- Ne détournez pas l'utilisation du câble de raccordement pour porter l'outil électroportatif, l'accrocher ou pour tirer le connecteur de la prise. Éloignez le câble de la chaleur, de l'huile, de bords tranchants ou de pièces en mouvement.** Des câbles de raccordement endommagés ou enchevêtrés augmentent le risque de choc électrique.
- Si vous travaillez avec un outil électroportatif à l'extérieur, utilisez uniquement des rallonges prévues pour l'extérieur.** L'utilisation d'un câble prévu pour l'extérieur diminue le risque d'un choc électrique.
- Utilisez un disjoncteur à courant de défaut quand le fonctionnement de l'outil électroportatif en environnement humide ne peut pas être évité.** L'utilisation d'un disjoncteur à courant de défaut diminue le risque d'un choc électrique.

3 SÉCURITÉ DES PERSONNES

- Soyez attentif à ce que vous faites, faites preuve de bon sens lorsque vous travaillez avec l'outil électroportatif. N'utilisez pas l'outil électroportatif si vous êtes fatigué ou si vous êtes sous l'influence de drogues, de l'alcool ou de médicaments.** Un moment d'inattention lors de l'utilisation de l'outil électroportatif peut entraîner des blessures graves.
- Portez un équipement de protection individuelle et des lunettes de protection en permanence.** Le port d'un équipement de protection individuelle tel que masque contre la poussière, chaussures de sécurité antidérapantes, casque ou protection auditive, en fonction du type et de l'utilisation de l'outil électroportatif, diminue le risque de blessures.
- Évitez toute mise en service involontaire. Assurez-vous que l'outil électroportatif est déconnecté avant de le raccorder à l'alimentation électrique et/ou à la batterie, avant de le soulever ou de le porter.** Si, en portant l'outil électroportatif, vous avez le doigt sur l'interrupteur ou si vous raccordez l'outil électroportatif connecté à l'alimentation électrique, cela peut entraîner des accidents.
- Retirez les outils de réglage ou les clés anglaises avant de connecter l'outil électroportatif.** Un outil ou une clé qui se trouve dans une partie de l'outil électroportatif en rotation peut entraîner des blessures.

- e. **Évitez toute position de travail anormale. Veillez à maintenir une position stable et un bon équilibre à tout moment.** Vous pourrez ainsi à tout moment contrôler l'outil électroportatif dans des situations inattendues.
 - f. **Portez des vêtements adaptés. Ne portez pas de vêtements amples ou de bijoux. Éloignez vos cheveux et vos vêtements des pièces en mouvement.** Des vêtements amples, des bijoux ou des cheveux longs pourraient se prendre dans les pièces en mouvement.
 - g. **Si des dispositifs d'aspiration et de récupération des poussières peuvent être montés, raccordez-les et utilisez-les correctement.** L'utilisation d'une aspiration des poussières peut diminuer les dangers dus aux poussières.
 - h. **Ne vous croyez pas faussement en sécurité et n'enfreignez pas les règles de sécurité destinées aux outils électroportatifs, même si vous maîtrisez l'outil électroportatif après de multiples utilisations.** Un manque d'attention peut en un quart de seconde entraîner de graves blessures.
- e. **Prenez soin de vos outils électroportatifs et outils. Vérifiez que les parties mobiles fonctionnent sans problème, qu'elles ne coincent pas et qu'il n'y a pas de parties cassées ou endommagées qui pourraient entraver le bon fonctionnement de l'outil électroportatif. Faites réparer les parties endommagées avant d'utiliser l'outil électroportatif.** De nombreux accidents sont dus à un mauvais entretien des outils électroportatifs.
 - f. **Maintenez les outils de coupe affûtés et propres.** Des outils de coupe entretenus avec soin dotés de bords de coupe affûtés se coincent moins et sont plus faciles à utiliser.
 - g. **Utilisez l'outil électroportatif, les outils, etc. en respectant ces instructions. Tenez compte des conditions de travail et de la tâche à effectuer.** L'utilisation des outils électroportatifs pour d'autres applications que celles prévues peut entraîner des situations dangereuses.
 - h. **Veillez à ce que les poignées et surfaces des poignées soient sèches, propres et exemptes d'huile ou de graisse.** Des poignées et surfaces de poignées glissantes ne permettent pas une utilisation en toute sécurité ni un contrôle de l'outil électroportatif dans des situations imprévues.

4 UTILISATION ET TRAITEMENT DE L'OUTIL ÉLECTROPORTATIF

- a. **Ne surchargez pas l'outil électroportatif. Utilisez l'outil électroportatif destiné à votre travail.** L'outil électroportatif adapté vous permet de travailler mieux et avec plus de sécurité dans la plage de puissance indiquée.
- b. **N'utilisez aucun outil électroportatif dont l'interrupteur serait défectueux.** Un outil électroportatif qui ne peut plus être mis en marche ou arrêté est dangereux et doit être réparé.
- c. **Débranchez le connecteur de la prise de courant et/ou retirez une batterie amovible avant d'effectuer des réglages sur l'appareil, de remplacer des pièces d'outil ou de déposer l'outil électroportatif.** Cette mesure de précaution empêche un démarrage involontaire de l'outil électroportatif.
- d. **Rangez toujours les outils électroportatifs inutilisés hors de portée des enfants. Ne laissez aucune personne à laquelle vous ne faites pas confiance ou qui n'a pas lu ces consignes se servir de l'outil électroportatif.** Les outils électroportatifs sont dangereux lorsqu'ils sont utilisés par des personnes inexpérimentées.

5 SERVICE

- a. **Faites réparer votre outil électroportatif uniquement par un personnel qualifié ; les réparations doivent être uniquement effectuées avec des pièces détachées d'origine,** afin de garantir la fiabilité de l'outil électroportatif.
- b. **Pour la réparation et l'entretien, n'utilisez que des pièces d'origine.** L'utilisation d'accessoires ou de pièces détachées non adaptés risque de provoquer une électrocution ou des blessures.

3.2 Consignes de sécurité spécifiques à l'appareil

- **Tenez l'outil électroportatif uniquement par les parties isolées car la fraise peut entrer en contact avec son propre câble de raccordement.** Le contact avec un câble sous tension peut également mettre des pièces métalliques de l'appareil sous tension et provoquer une décharge électrique.
- **Fixez et bloquez la pièce sur un support stable au moyen de serre-joints ou d'autres accessoires.** Si vous maintenez la pièce

ce uniquement avec la main ou la bloquez uniquement contre votre corps, elle reste instable, ce qui peut conduire à une perte de contrôle.

- Pour le serrage des outils, utiliser uniquement le diamètre de tige pour lequel la pince de serrage est conçue.
- Ne faire fonctionner l'outil électroportatif qu'avec la table de guidage et le capot d'aspiration montés correctement
- **L'outil électroportatif doit uniquement être équipé de fraises proposées à cette fin par Festool.** L'utilisation d'autres fraises est interdite en raison d'un risque accrue de blessures.
- Employez exclusivement des outils conformes à EN 847-1. Toutes les fraises de Festool remplissent les exigences de ce standard.
- La pince de serrage et l'écrou-raccord ne doivent présenter aucun dommage.
- L'utilisation de fraises fissurées ou déformées est interdite.
- Veiller à bien fixer la fraise et s'assurer qu'elle fonctionne parfaitement.
- **Ne pas dépasser la vitesse de rotation maximale indiquée sur l'outil monté et respecter la plage de vitesse.** Les accessoires dont la vitesse de rotation est supérieure à la valeur admissible risquent de se briser ou d'être projetés.
- Ne pas utiliser l'outil électrique si son système électronique est défectueux. Ceci peut entraîner des vitesses de rotation excessives. La défectuosité du système électronique est reconnaissable à l'absence de démarrage progressif, une défaillance de la régulation de vitesse et un dégagement de fumée ou d'odeur de combustion de la machine.



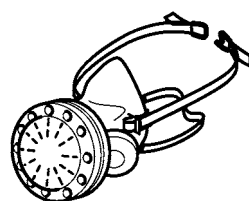
Portez un équipement de protection individuelle approprié : une protection auditive, des lunettes de protection, un masque anti-poussière lors des travaux impliquant un dégagement de poussière et des gants de protection dans le cas des matériaux rugueux et lors du changement d'outil.

3.3 La poussière, un risque pour la santé



AVERTISSEMENT! certaines poussières créées par le ponçage mécanique, le sciage, le meulage, le perçage et autres activités reliées à la construction contiennent des substances chimiques connues (dans l'État de la Californie) comme pouvant causer le cancer, des anomalies congénitales ou représenter d'autres dangers pour la reproduction. Voici quelques exemples de telles substances:

- plomb provenant de peintures à base de plomb,
- silice cristallisée utilisée dans les briques, le ciment et autres matériaux de maçonnerie, et
- arsenic et chrome du bois d'oeuvre traité avec un produit chimique.



Le risque d'exposition à de tels produits varie selon la fréquence à laquelle vous faites ce genre de travail.

Pour réduire les risques d'exposition à ces substan-

ces chimiques : travaillez dans un endroit adéquatement ventilé et utilisez un équipement de sécurité approuvé, tel que masques antipoussières spécialement conçus pour filtrer les particules microscopiques.



AVERTISSEMENT

POUR RÉDUIRE LE RISQUE DE DOMMAGES, L'UTILISATEUR DOIT LIRE LE MANUEL D'INSTRUCTION.

4 Utilisation en conformité avec les instructions

La fraise est prévue de façon conforme aux prescriptions pour le fraisage de bois, de matières plastiques et de matériaux similaires.



L'utilisateur est responsable des dommages provoqués par une utilisation non conforme.

5 Caractéristiques techniques

Affleureuse	MFK 700 EQ
puissance	720 W
Régime	10.000 - 26.000 tr/min
Vitesse max. (à vide)	26.000 tr/min

Affleureuse	MFK 700 EQ
Porte-outil	5/16" (en option : 6 mm, 1/4")
Ø de fraise, max.	26 mm / 1"
Ø raccord d'aspiration	1-1/16" (27 mm)
Poids selon la procédure EPTA 01:2014 :	4.4 lbs (2.0 kg)

6 Éléments de l'appareil

- [1-1]** MFK 700 avec table de fraisage grand support
- [1-2]** Butée latérale avec barres de guidage et réglage micrométrique
- [1-3]** Capot d'aspiration pour table de fraisage grand support avec raccord d'aspiration
- [1-4]** Table de fraisage pour couvre-chants avec galet palpeur et capot d'aspiration (uniquement pour livraison de SET)
- [1-5]** Surface de préhension, système de verrouillage pour profondeur de fraisage
- [1-6]** Surface de préhension

Des éléments fournis sont disponibles au début de cette notice d'utilisation.

7 Mise en service



AVERTISSEMENT

Tension ou fréquence non admissible !

Risque d'accident

- La tension et la fréquence d'alimentation électrique doivent être conformes aux indications de la plaque signalétique.
- En Amérique du nord, utiliser uniquement les machines Festool fonctionnant sous une tension de 120 V / 60 Hz.

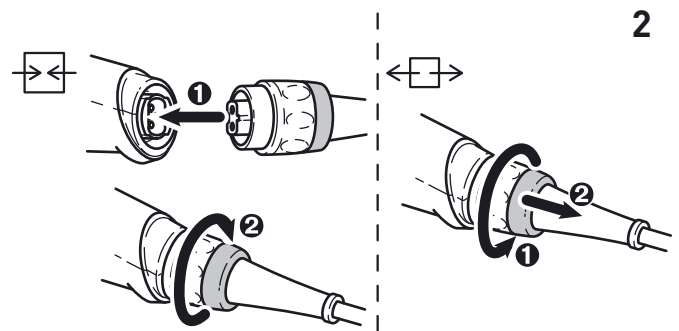


ATTENTION

Échauffement du raccord plug-it si le raccord à baïonnette n'est pas complètement verrouillé

Risque de brûlures

- Avant de mettre en marche l'outil électroportatif, assurez-vous que le raccord à baïonnette sur le câble de raccordement secteur est complètement fermé et verrouillé.



Branchement et débranchement du câble de raccordement secteur, voir figure [2].

7.1 Rallonge

S'il est nécessaire d'utiliser une rallonge, celle-ci doit présenter une section suffisante pour éviter une perte de tension excessive ou une surchauffe. Une perte de tension excessive réduit la puissance et peut provoquer la défaillance du moteur. Le tableau ci-dessous indique le diamètre de câble approprié en fonction de la longueur de câble pour cet outil.

Taille de câble en AWG

Intensité nominale de l'outil	Longueur de câble en pieds			
	25	50	100	150
3-6	18	16	16	14
6-8	18	16	14	12
8-10	18	16	14	12
10-12	16	16	14	12
12-16	14	12	-	-

Taille de câble en mm²

Intensité nominale de l'outil	Longueur de câble en mètres			
	15	30	60	120
3-6	0,75	0,75	1,5	2,5
6-8	0,75	1,0	2,5	4,0

Intensité nominale de l'outil	Longueur de câble en mètres			
	0,75	1,0	2,5	4,0
8-10	0,75	1,0	2,5	4,0
10-12	1,0	2,5	4,0	-
12-16	-	-	-	-

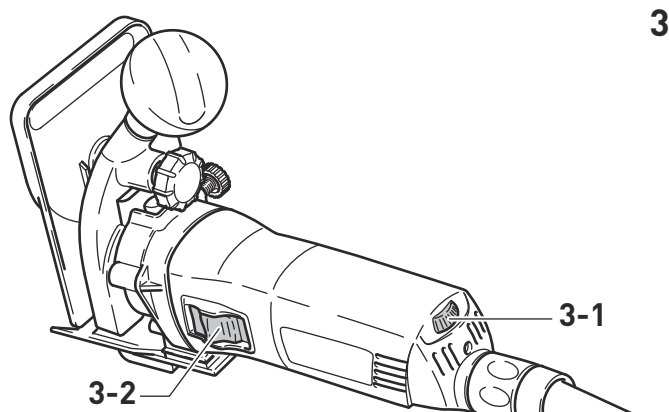
Utiliser uniquement des rallonges homologuées NRTL.

Ne jamais utiliser deux rallonges ensemble. Au lieu de cela, utiliser une rallonge plus longue.

i Plus la valeur AWG est faible, plus le diamètre du câble est élevé.

7.2 Mise en marche/à l'arrêt

Le commutateur **[3-2]** sert d'interrupteur MARCHE/ARRÊT (1 = MARCHE, 0 = ARRÊT).



8 Réglages



AVERTISSEMENT

Risque de blessures, décharge électrique

- ▶ Débrancher la fiche de la prise de courant avant toute intervention sur la machine !

8.1 Électronique

Vitesse constante

Le système électronique maintient à un niveau constant le régime moteur présélectionné. Ainsi, la vitesse est toujours stable, y compris sous charge.

Régulation du régime

La molette **[3-1]** permet un réglage continu du régime dans la plage de régimes (voir chapitre Caractéristiques techniques). La vitesse peut ainsi être adaptée de façon optimale à chaque matériau. Respecter aussi les consignes indiquées sur les outils.

Des marques de brûlures ou de fusion sur le matériau peuvent être évitées en diminuant le régime.

Fusible thermique

En cas de température excessive du moteur, l'alimentation électrique et la vitesse sont réduites. L'outil électroportatif continue de fonctionner à puissance réduite afin de permettre un refroidissement rapide par ventilation du moteur. Après refroidissement, l'outil électroportatif redémarre automatiquement.

Protection anti-redémarrage

La protection anti-redémarrage intégrée empêche un redémarrage automatique de l'outil électroportatif après une coupure d'alimentation lorsque l'interrupteur marche/arrêt est enfoncé. Dans ce cas, l'outil électroportatif doit tout d'abord être éteint puis remis en marche.

En raison de du système de protection anti-redémarrage intégré, la mise en marche ou à l'arrêt de l'outil électroportatif au moyen d'un module de commutateur externe n'est pas possible.

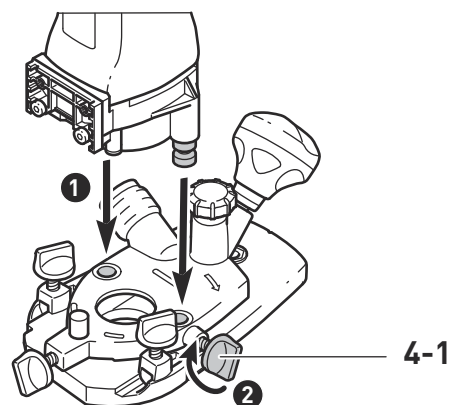
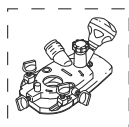
8.2 Remplacement de la table de fraisage

La "table de fraisage grande surface" est pré-montée et comprise dans le volume de livraison de série. Cette table de fraisage garantit une grande précision de fraisage grâce à sa grande surface d'appui et à ses possibilités de réglage précises. D'autres tables de fraisage sont disponibles dans la gamme d'accessoires.

Table de fraisage grande surface

- ▶ Montez la table de fraisage sur les axes de réception de la machine.
- ▶ Bloquez la table de fraisage en serrant la vis **[4-1]**.
- ▶ Montez le capot d'aspiration **[4-2]**.
- ▶ Bloquez le capot d'aspiration en vissant la vis **[4-3]**.
- ▶ Montez la tubulure d'aspiration **[4-4]** sur le capot d'aspiration.

Démontage dans l'ordre inverse du montage.



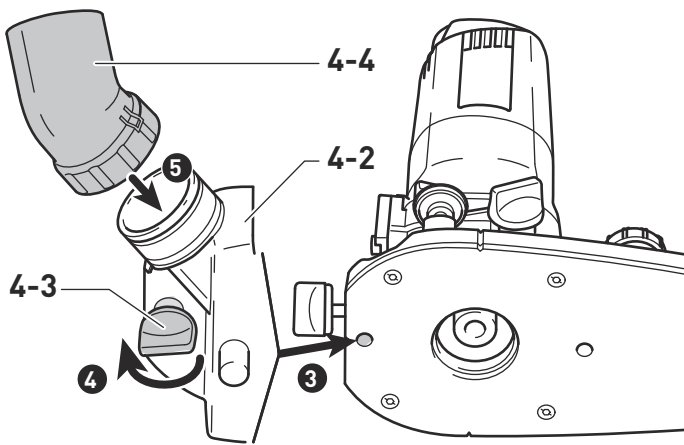


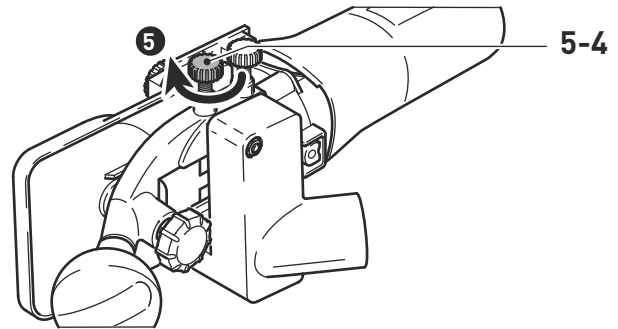
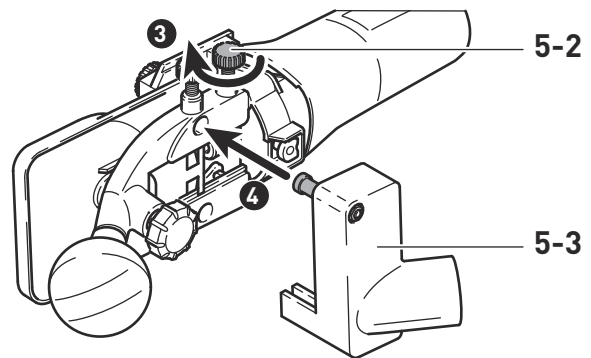
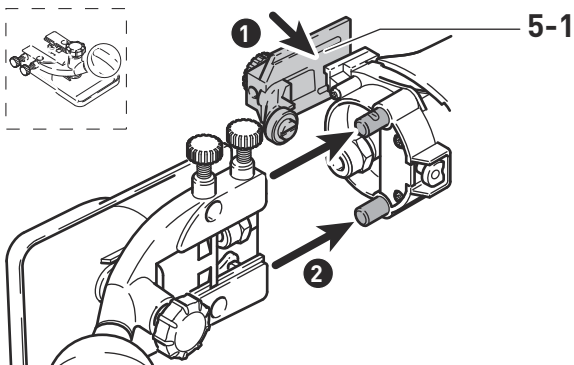
Table de fraisage pour couvre-chants

La "table de fraisage pour couvre-chants" (uniquement dans le volume de livraison SET) est prévue pour le fraisage d'affleurement de dépassements de couvre-chants ainsi que pour le profilage.

i Afin de ne pas endommager le revêtement de la table lors de l'affleurage, la table de fraisage est inclinée de 1,5°. Pour des fraisages à angle droit précis, une table de fraisage non inclinée (0°) est disponible en tant qu'accessoire.

- ▶ Fixez le galet palpeur **[5-1]** sur la machine à l'aide des vis prémontées. Le galet palpeur peut être réglé de façon optimale par rapport à la fraise en le décalant dans les trous oblongs.
- ▶ Montez la table de fraisage sur les axes de réception de la machine.
- ▶ Bloquez la table de fraisage en serrant la vis **[5-2]**.
- ▶ Montez le capot d'aspiration **[5-3]**.
- ▶ Bloquez le capot d'aspiration en vissant la vis **[5-4]**.

Démontage dans l'ordre inverse du montage.



8.3 Changement d'outil



ATTENTION

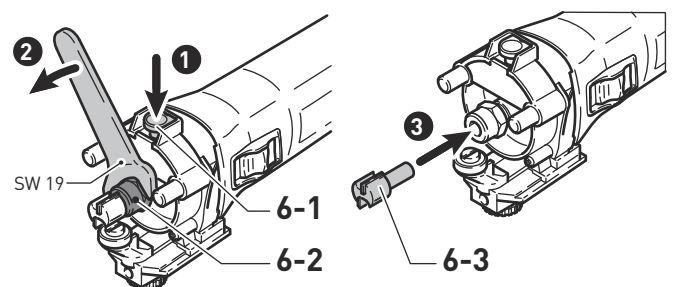
Risque de blessures dû à l'outil d'usage chaud et tranchant

- ▶ Ne pas monter d'outils d'usinage émoussés ou défectueux.
- ▶ Se munir de gants de protection pour manipuler l'outil d'usinage.

Avant de remplacer l'outil de fraisage, retirer la table de fraisage.

Prélèvement de l'outil

- ▶ Appuyez sur le blocage de la broche **[6-1]**.
- ▶ Desserrez l'écrou-raccord **[6-2]** avec la clé à fourche (surplat 19) jusqu'à pouvoir retirer l'outil.
- ▶ Relâchez le blocage de la broche **[6-1]**.



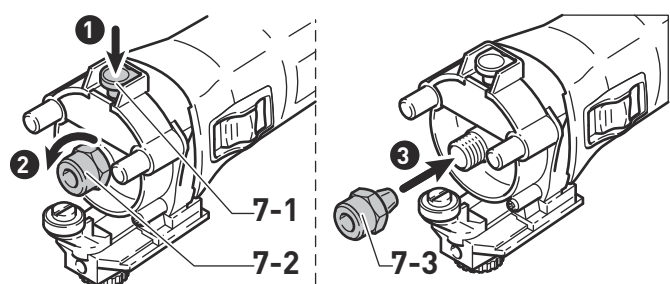
Montage de l'outil

- ▶ Introduisez l'outil de fraisage **[6-3]** aussi loin que possible dans la pince de serrage ouverte, ∇ au moins jusqu'au marquage de la queue de fraise.
- ▶ Appuyez sur le blocage de la broche **[6-1]**.
- ▶ Serrez l'écrou-raccord **[6-2]** avec la clé à fourche (surplat 19).
- ▶ Relâchez le blocage de la broche **[6-1]**.

8.4 Remplacement de la pince de serrage

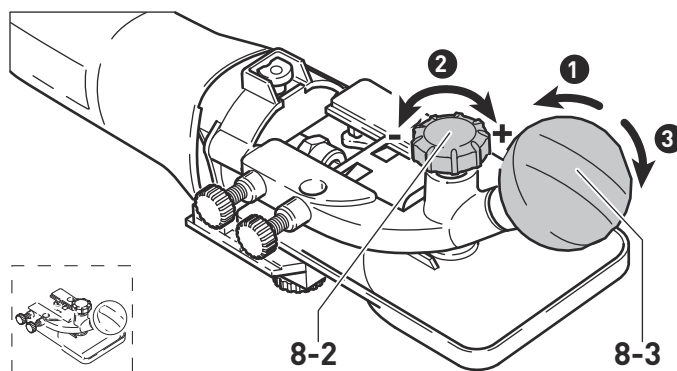
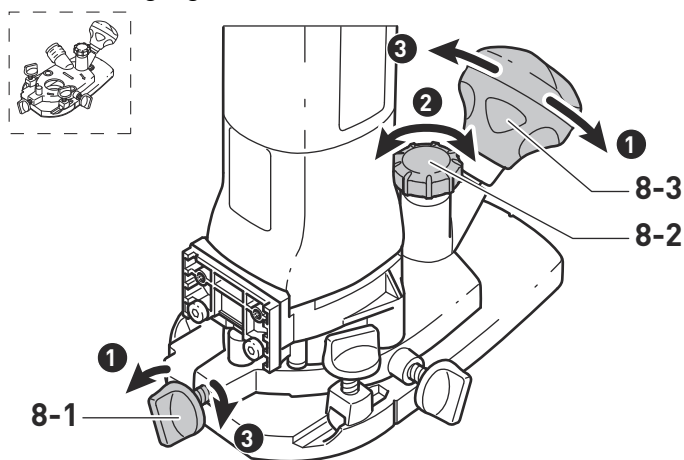
Seuls des outils adaptés doivent être utilisés avec les pinces de serrage fournies. Des pinces de serrage de 8 mm, 6 mm et 1/4" (6,35 mm) peuvent être utilisées.

- ▶ Appuyez sur le blocage de la broche [7-1].
- ▶ Dévissez entièrement l'écrou-raccord [7-2].
- ▶ Relâchez le blocage de la broche [7-1].
- ▶ Sortez l'ensemble écrou-raccord et pince [7-3] de la broche. **Ne séparez jamais l'écrou-raccord et la pince de serrage !** En effet, les deux forment un ensemble inséparable.
- ▶ Insérez une autre pince munie de son écrou-raccord dans la broche.
- ▶ Vissez l'écrou-raccord sans forcer. **Ne serrez pas l'écrou-raccord en l'absence de fraise !**



8.5 Réglage de la profondeur de fraisage

- ▶ Desserrez le bouton tournant [8-3] et le dispositif de blocage [8-1] (uniquement "table de fraisage grande surface").
- ▶ Réglez la table de fraisage sur la profondeur de réglage souhaitée par le biais de la molette [8-2].
- ▶ Serrez le bouton tournant [8-3] et le dispositif de blocage [8-1] (uniquement "table de fraisage grande surface").



8.6 Aspiration



AVERTISSEMENT

Risques pour la santé dus aux poussières

- ▶ Les poussières peuvent être dangereuses pour la santé. Pour cette raison, ne travaillez jamais sans aspiration.
- ▶ Respectez toujours les prescriptions nationales en vigueur lors de l'aspiration de poussières dangereuses pour la santé.

Des capots d'aspiration permettant le raccordement d'un aspirateur Festool (tuyau d'aspiration Ø 27 mm) sont fournis pour les deux tables de fraisage.

En fonction de l'application, le dispositif d'aspiration (tuyau d'aspiration Ø 27 mm) peut également être fixé sur la "table de fraisage grande surface" ou sur la butée latérale.

ATTENTION ! Si vous n'utilisez pas de tuyau d'aspiration antistatique, une accumulation d'électricité statique est possible. L'utilisateur risque alors de subir une décharge électrique et le système électronique de l'outil électroportatif risque d'être endommagé.

9 Utilisation de l'outil électroportatif

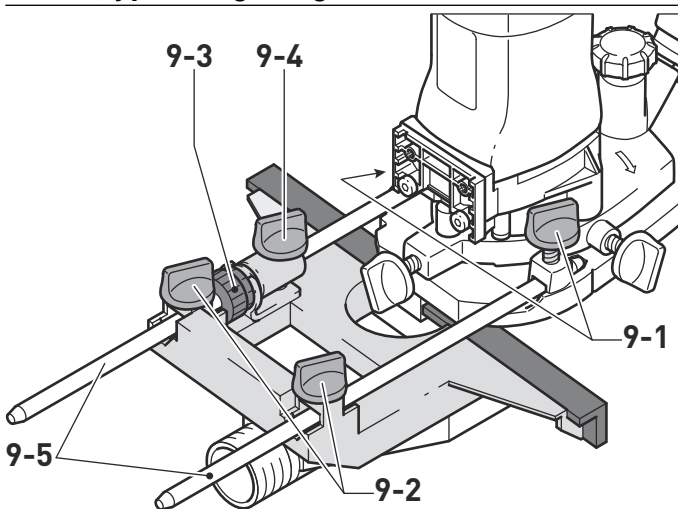


Pendant l'utilisation, respectez toutes les consignes de sécurité indiquées ci-avant ainsi que les règles suivantes :

- Fixez toujours la pièce de manière à ce qu'elle ne puisse pas bouger pendant l'utilisation de l'outil électroportatif.
- Maintenir la machine avec les deux mains sur le carter moteur et la tête d'engrenage ou sur la poignée supplémentaire [1-5] afin de garantir un guidage sûr.
- Adaptez la vitesse d'avance au diamètre de la fraiseuse et au matériau. Travaillez à une vitesse d'avance constante.

- Guider l'outil électroportatif contre la pièce à travailler seulement quand celui-ci est activé.
- **Attendez que l'outil électroportatif soit complètement immobilisé avant de le déposer.** L'outil monté peut s'accrocher et provoquer une perte de contrôle de l'outil électroportatif.
- Assurez-vous que la table de fraisage soit bien serrée avant le fraisage.
- Fraiser uniquement en remontant (direction d'avance de l'outil électroportatif dans le sens de coupe de l'outil).

9.1 Types de guidage



Fraisage avec butée latérale

La butée latérale est utilisée pour des travaux de fraisage parallèlement au bord de la pièce. La butée latérale peut uniquement être montée sur la "table de fraisage grande surface" et sans capot d'aspiration [4-2] monté.

- ▶ Montez le dispositif de réglage fin [9-3] sur la butée latérale.
- ▶ Serrez les deux tiges de guidage [9-5] sur la butée latérale [9-2] par le biais des boutons tournants.
- ▶ Insérez la butée latérale dans les rainures de la table de fraisage jusqu'à la cote souhaitée et bloquez les tiges de guidage à l'aide du bouton tournant [9-1].

Réglage fin

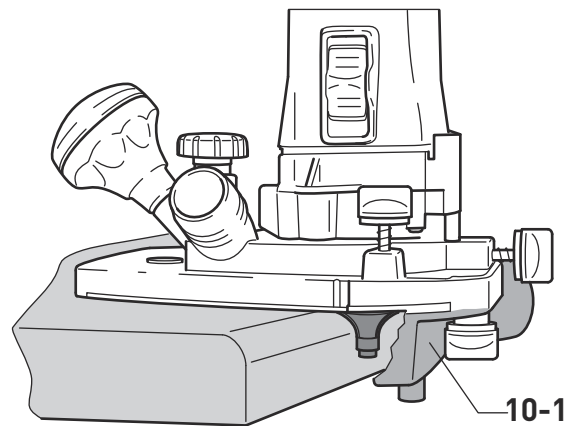
- ▶ Desserrez les vis [9-2] et tournez la molette verte du dispositif de réglage fin [9-3].
Un trait de graduation sur la molette est de 0,1 mm - un tour correspond à 1 mm.
- ▶ Serrez les vis [9-2].

Réglage approximatif

- ▶ Desserrez les vis [9-2] et [9-4] et déplacez la butée latérale.
- ▶ Serrez les vis.

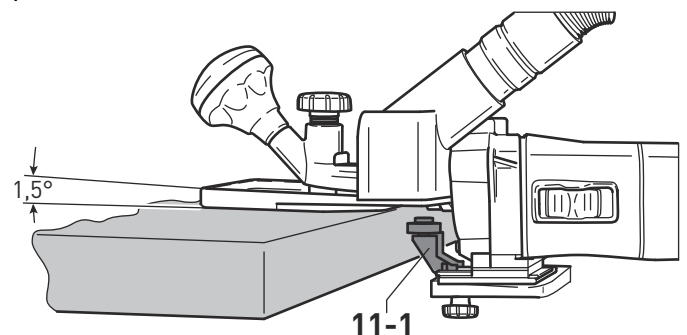
Fraisage de chants avec roulement de guidage [figure 10]

Des fraises avec roulement de guidage sont montées sur la machine pour le fraisage de chants. Dans ce cas, la machine est guidée de sorte à faire rouler le roulement à billes sur la pièce. Lors du fraisage de chants, utilisez toujours le capot d'aspiration [10-1] pour améliorer l'aspiration.



Fraisage de chants avec galet palpeur et table de fraisage pour couvre-chants [figure 11]

Le galet palpeur [11-1] est monté sur la machine pour le fraisage de chants avec la table de fraisage pour couvre-chants (uniquement dans le volume de livraison SET) (voir chapitre . A cette occasion, la machine est guidée de façon à ce que le galet palpeur repose contre la pièce.



- Fraiser uniquement en remontant (direction d'avance de l'outil électroportatif dans le sens de coupe de l'outil).

10 Maintenance et entretien



AVERTISSEMENT

Tout travail de maintenance ou de réparation, qui nécessite l'ouverture du moteur ou du carter d'engrenages doit uniquement être effectué par un centre service-client autorisé (nom fourni par votre revendeur) !

- Les travaux de maintenance ou de réparation effectués par un personnel non autorisé peuvent conduire à la mauvaise connexion de câbles d'alimentation ou d'autres composants, ce qui peut entraîner à son tour des accidents avec des conséquences graves.



AVERTISSEMENT

Pour éviter les accidents, retirez toujours la fiche mâle de la prise d'alimentation électrique avant d'effectuer tout travail de maintenance ou de réparation sur la machine !

- N'utilisez pas d'air comprimé pour nettoyer l'outil électrique ! N'essayez pas de nettoyer des parties à l'intérieur de la machine de cette façon, étant donné que des corps étrangers pourraient pénétrer dans les ouvertures du carter de la machine.



ATTENTION

Certains produits nettoyants et solvants sont nocifs pour les pièces en plastique.

- Quelques exemples de produit nocif : essence, acétone, méthyléthylcétone (MEK), chlorure de carbonyle, solutions nettoyantes contenant du chlore, de l'ammoniac et les produits ménagers contenant de l'ammoniac.



Service après-vente et réparation uniquement par le fabricant ou des ateliers homologués. Pour trouver l'adresse la plus proche : www.festool.fr/services



Utiliser uniquement des pièces détachées Festool d'origine ! Réf. sur : www.festool.fr/services

- Sauf indication contraire dans la notice d'utilisation, les dispositifs de protection et pièces endommagés doivent être réparés ou remplacés dans les règles de l'art par un atelier spécialisé agréé.

- L'appareil est équipé de charbons spéciaux à coupure automatique. Lorsque ceux-ci sont usés, l'alimentation est coupée et l'appareil s'arrête.
- Pour assurer la circulation de l'air, il est impératif que les ouïes de ventilation du carter moteur soient maintenues dégagées et propres.

11 Accessoires

Utilisez uniquement les accessoires Festool et consommables Festool d'origine prévus pour cette machine, car ces composants systèmes sont parfaitement adaptés les uns par rapport aux autres. Si vous utilisez des accessoires et consommables d'autres marques, la qualité du résultat peut être dégradée et les recours en garantie peuvent être soumis à des restrictions. L'usure de la machine ou votre charge personnelle peuvent augmenter selon chaque application. Pour cette raison, protégez-vous, votre machine et vos droits à la garantie en utilisant exclusivement des accessoires Festool et des consommables Festool d'origine !

Les références des accessoires et des outils figurent dans le catalogue Festool ou sur Internet sous "www.festoolusa.com".

11.1 SYSTAINER

Systainer

De nombreux produits Festool sont fournis dans une caisse exclusive, appelée "Systainer". Celle-ci permet de protéger et de ranger des outils et des appareils complémentaires. Les Systainer sont empilables et peuvent être solidarisés. En outre, il se fixent sur les aspirateurs CT Festool.

Pour ouvrir le Systainer



Tournez le T-loc **[SYS-b-1]** à cette position.

Pour fermer le Systainer



Tournez le T-loc **[SYS-b-1]** à cette position.

Pour connecter deux Systainers

Placez un Systainer au dessus de l'autre **[SYS-a]**.

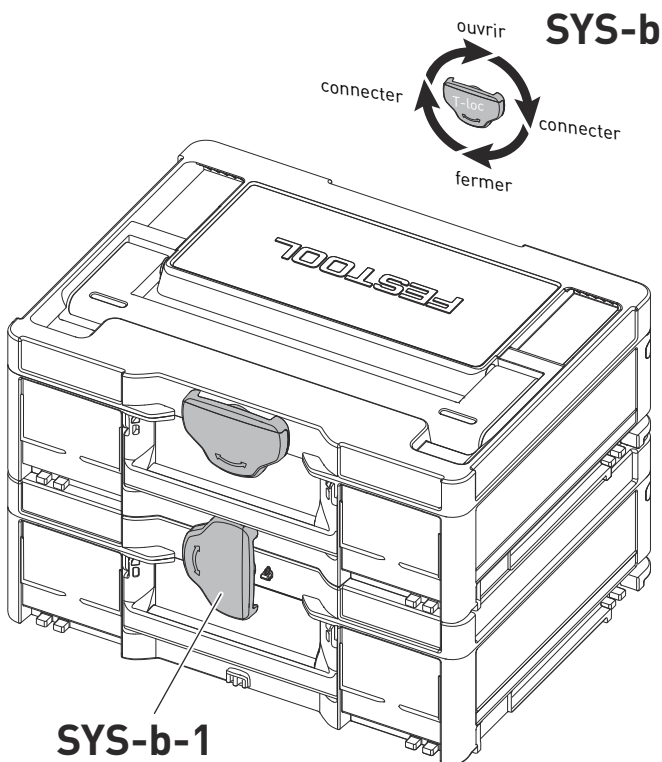
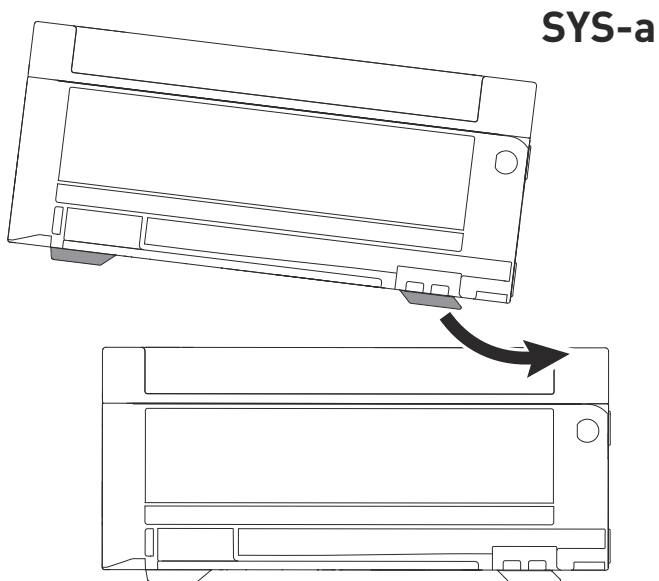


Tournez le T-loc **[SYS-b-1]** à une de cette positions (Fig. **[SYS-b]**).

Les Systainers sont combinés.

- ① Un Systainer Classic Line peut être relié par en bas à un Systainer T-Loc ou à un Systainer³ avec ses quatre éléments de verrouillage

Un Systainer T-Loc peut être relié à un Systainer³ à la fois par le bas et par le haut.



12 Environnement

Ne jetez pas l'appareil avec les ordures ménagères ! Éliminez l'appareil, les accessoires et les emballages de façon compatible avec l'environnement. Respectez les prescriptions nationales en vigueur.




Índice de contenidos

1	Sobre este manual.....	24
2	Símbolos.....	24
3	Indicaciones de seguridad.....	25
4	Uso conforme a lo previsto.....	27
5	Datos técnicos.....	27
6	Componentes de la herramienta.....	28
7	Puesta en servicio.....	28
8	Ajustes.....	29
9	Trabajo con la herramienta eléctrica.....	31
10	Mantenimiento y limpieza.....	32
11	Accesorios.....	33
12	Medio ambiente.....	34






1 Sobre este manual









Guarde estas instrucciones

Es importante que usted lea y entienda este manual. La información que contiene se relaciona con la protección de **su seguridad y la prevención de problemas**. Los símbolos que siguen se utilizan para ayudarlo a reconocer esta información.

	PELIGRO	Descripción de peligro inminente y fracaso para evitar riesgos que podran causar la muerte.
	ADVERTENCIA	Descripción de peligro y posibles lesiones resultantes o la muerte.
	PRECAUCIÓN	Descripción de peligro y posibles lesiones resultantes.
	AVISO	Descripción de los posibles daños en el dispositivo o en su entorno.

2 Símbolos

	Aviso de peligro general
	Peligro de electrocución
	¡Leer el manual de instrucciones y las indicaciones de seguridad!
	Usar protección para los oídos
	Utilizar protección respiratoria.

	Utilizar guantes de protección
	Utilizar gafas de protección
	Desconexión del cable de conexión a red
	Conexión del cable de conexión a la red eléctrica
	Clase de protección II
	Consejo, indicación
	Guía de procedimiento
W	Vatio
V	Voltio
A	Amperios
Hz	hertzios
~	tensión alterna
a.c.	tensión alterna
n_0	revoluciones por minuto en vacío
rpm	revoluciones por minuto
min^{-1}	revoluciones por minuto
"	pulgada
lb.	libras
kg	kilogramo
	diámetro
mm	milímetro
°	grado angular

3 Indicaciones de seguridad

3.1 Indicaciones de seguridad generales para herramientas eléctricas



¡ADVERTENCIA! Leer todas las indicaciones de seguridad, instrucciones, ilustraciones y datos técnicos que acompañan a esta herramienta eléctrica. Si no se cumplen debidamente las instrucciones siguientes, puede producirse una descarga eléctrica, quemaduras o lesiones graves.

Guarde todas las indicaciones de seguridad e instrucciones para que sirvan de futura referencia.

El término «herramienta eléctrica» empleado en las indicaciones de seguridad hace referencia a herramientas eléctricas conectadas a la red eléctrica (con un cable de red) o a herramientas eléctricas alimentadas con batería (sin cable de red).

1 SEGURIDAD EN EL LUGAR DE TRABAJO

- Mantenga su zona de trabajo limpia y bien iluminada.** El desorden o la falta de iluminación en las zonas de trabajo pueden dar lugar a accidentes.
- No trabaje con la herramienta eléctrica en entornos potencialmente explosivos donde se encuentren líquidos, gases o polvos inflamables.** Las herramientas eléctricas producen chispas que pueden inflamar el polvo o los vapores.
- Mantenga a niños y adultos alejados de la herramienta eléctrica durante el uso.** Si se distrae, puede perder el control de la herramienta eléctrica.

2 SEGURIDAD ELÉCTRICA

- El conector de la herramienta eléctrica debe encajar en el enchufe. El conector no debe modificarse en modo alguno. No utilice conectores adaptadores con herramientas eléctricas con puesta a tierra.** Unos conectores intactos y unos enchufes adecuados reducen el riesgo de descarga eléctrica.
- Evite el contacto físico con superficies con puesta a tierra como las de tuberías, calefacciones, cocinas y frigoríficos.** Existe un riesgo elevado de descarga eléctrica si su cuerpo está en contacto con la tierra.
- Mantenga las herramientas eléctricas lejos de la lluvia y la humedad.** La penetración de agua en una herramienta eléctrica aumenta el riesgo de descarga eléctrica.

- No utilice el cable de conexión para transportar o colgar la herramienta eléctrica ni para extraer el conector del enchufe. Mantenga el cable de conexión alejado del calor, aceite, cantos afilados o piezas en movimiento.** Los cables de conexión dañados o enredados aumentan el riesgo de descarga eléctrica.
- Si trabaja con una herramienta eléctrica al aire libre, utilice únicamente alargadores aptos para el uso en exteriores.** El empleo de alargadores aptos para el uso en exteriores reduce el riesgo de descarga eléctrica.
- Cuando sea inevitable el uso de la herramienta eléctrica en un entorno húmedo, utilice un interruptor diferencial.** El uso de un interruptor diferencial reduce el riesgo de que se produzca una descarga eléctrica.

3 SEGURIDAD DE LAS PERSONAS

- Sea cuidadoso, preste atención a lo que está haciendo y actúe con prudencia al trabajar con herramientas eléctricas. No utilice ninguna herramienta eléctrica si está cansado o bajo los efectos de drogas, alcohol o medicamentos.** Una mínima distracción mientras está utilizando la herramienta eléctrica puede ocasionarle graves lesiones.
- Lleve puesto el equipo de protección individual y utilice gafas de protección en todo momento.** El empleo del equipamiento de protección personal como p. ej. mascarilla, guantes de seguridad antideslizantes, casco o protección de oídos, según el tipo y la aplicación de la herramienta eléctrica, reduce el riesgo de lesiones.
- Evite un arranque accidental de la herramienta. Asegúrese de que está desconectada antes de conectarla al suministro de corriente o la batería, recogerla o transportarla.** Existe peligro de accidente si transporta la herramienta eléctrica con el dedo sobre el interruptor o si conecta la herramienta eléctrica a la red estando encendida.
- Retire las herramientas de ajuste y las llaves de tornillos antes de conectar la herramienta eléctrica.** Si una herramienta o llave se encuentra en una pieza en movimiento de la herramienta eléctrica, pueden producirse lesiones.
- Evite una postura anormal del cuerpo. Procure un apoyo seguro y mantenga el**

- equilibrio en todo momento.** De esta manera podrá controlar mejor la herramienta eléctrica en situaciones inesperadas.
- f. **Utilice ropa adecuada. No utilice ropa ancha ni objetos de joyería o bisutería. Mantenga el pelo y la ropa alejados de las piezas en movimiento.** La ropa holgada, las joyas o el pelo largo pueden quedar atrapados por piezas en movimiento.
 - g. **Si se montan dispositivos de aspiración o recogida de polvo, estos deberán conectarse y utilizarse correctamente.** El empleo de un sistema de aspiración del polvo puede disminuir los peligros a causa del polvo.
 - h. **No se cree un falso sentido de la seguridad ni ignore las normas de seguridad de las herramientas eléctricas, ni siquiera si está muy familiarizado con el uso de la herramienta.** Una distracción durante el manejo puede derivar en graves lesiones en cuestión de pocas fracciones de segundo.

4 USO Y MANEJO DE LA HERRAMIENTA ELÉCTRICA

- a. **No sobrecargue la herramienta eléctrica. Utilice la herramienta eléctrica adecuada para el trabajo que va a realizar.** Con la herramienta apropiada trabajará mejor y más seguro en el rango de potencia especificado.
- b. **No utilice ninguna herramienta eléctrica cuyo interruptor esté defectuoso.** Una herramienta eléctrica que no se pueda conectar o desconectar resulta peligrosa y es necesario repararla.
- c. **Extraiga el conector del enchufe o retire la batería extraíble antes de efectuar los ajustes de la herramienta, cambiar piezas o guardar la herramienta eléctrica.** Esta medida de seguridad impide el arranque accidental de la herramienta eléctrica.
- d. **Mantenga las herramientas eléctricas que no esté utilizando fuera del alcance de los niños. No permita que la herramienta eléctrica sea utilizada por personas que no estén familiarizadas con ella o no hayan leído las presentes indicaciones.** Las herramientas eléctricas en manos inexpertas pueden ser peligrosas.
- e. **Trate las herramientas eléctricas y las herramientas intercambiables con cuidado. Compruebe si las partes móviles funcionan correctamente y no se atascan, y si hay piezas rotas o tan deterioradas que**

podrían mermar el funcionamiento de la herramienta eléctrica. Haga reparar las piezas deterioradas antes de usar la herramienta eléctrica. Muchos accidentes tienen su origen en un mantenimiento deficiente de las herramientas eléctricas.

- f. **Mantenga las herramientas cortantes limpias y afiladas.** Las herramientas cortantes bien cuidadas con aristas de corte afiladas se atascan menos y se guían más fácilmente.
- g. **Utilice la herramienta eléctrica, las herramientas intercambiables, etc., de acuerdo con estas instrucciones. Para ello, tenga en cuenta las condiciones de trabajo y la actividad que debe realizar.** El uso de herramientas eléctricas en aplicaciones diferentes a las previstas puede dar lugar a situaciones peligrosas.
- h. **Mantenga las superficies de agarre y los mangos secos, limpios y libres de aceite y grasa.** Un mango o unas superficies de agarre resbaladizos no permiten un manejo y control seguros de la herramienta eléctrica en situaciones imprevistas.

5 SERVICIO

- a. **Encargue la reparación de su herramienta eléctrica únicamente a personal técnico cualificado y solo con piezas de recambio originales.** De esta forma queda garantizada la seguridad de la herramienta eléctrica.
- b. **Utilice exclusivamente piezas originales para la reparación y el mantenimiento de la herramienta.** El uso de accesorios o piezas de recambio no previstos puede producir descargas eléctricas o lesiones.

3.2 Indicaciones de seguridad específicas

- **Sujete la herramienta eléctrica únicamente por las zonas de agarre aisladas, ya que la fresa podría entrar en contacto con el cable de conexión.** El contacto con una conducción de corriente puede poner bajo tensión también las piezas metálicas de la máquina y provocar una descarga eléctrica.
- **Fije y asegure la pieza de trabajo a una base estable por medio de mordazas o un dispositivo similar.** Si sostiene la pieza de trabajo únicamente con la mano o la apoya contra el cuerpo, aumentará su inestabilidad, así como el riesgo de perder el control sobre la pieza.

- Sujetar solo herramientas con el diámetro de vástago para el que ha sido concebido la pinza.
- Utilizar la herramienta eléctrica solo con la mesa de guiado y la caperuza de aspiración montadas conforme a las instrucciones.
- **En la herramienta eléctrica solo pueden montarse fresas ofertadas por Festool para ello.** Está prohibido utilizar otras fresas, pues el riesgo de sufrir lesiones es elevado.
- Deben utilizarse únicamente herramientas conformes con la norma EN 847-1. Todas las herramientas de fresado de Festool cumplen estos requisitos.
- La pinza de sujeción y la tuerca de racor no pueden presentar daños.
- No pueden utilizarse fresas fisuradas o que presenten alteraciones en su forma.
- Cerciorarse de que la fresa esté bien asentada y comprobar que marche correctamente.
- **No debe excederse el número de revoluciones indicado en la herramienta, es decir, debe observarse la gama de revoluciones.** Cualquier accesorio que gire más rápidamente de lo admisible puede romperse y salir volando de forma descontrolada.
- No trabajar con la máquina si el sistema electrónico de la herramienta eléctrica está defectuoso, puesto que pueden producirse velocidades demasiado elevadas. Sabrá que el sistema electrónico está defectuoso cuando el arranque no sea suave, cuando no sea posible regular el número de revoluciones y por la producción de humo o el olor a quemado de la máquina.



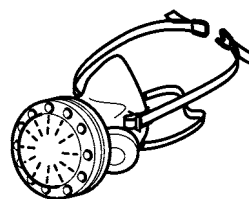
Es imprescindible utilizar los equipos de protección personal adecuados: protección para los oídos, gafas de protección, mascarilla para los trabajos que generan polvo, guantes de protección al trabajar con materiales rugosos y para cambiar de útil.

3.3 Riesgos para la salud producidos por el polvo



ADVERTENCIA! algunos polvos creados por lijadoras motorizadas, aserraderos, trituradores, perforadoras y otras actividades de construcción contienen sustancias químicas que se sabe (en el Estado de California) causan cáncer, defectos de nacimiento u otros daños al sistema reproductivo. Algunos ejemplos de estas sustancias químicas son:

- Plomo de las pinturas con base de plomo
- Sílice cristalino de los ladrillos y cemento y otros productos de mampostería, y
- Arsénico y cromo de madera tratada con sustancias químicas



El riesgo de exposición a estas sustancias varía, dependiendo de cuantas veces se hace este tipo de trabajo.

Para reducir el contacto con estas sustancias químicas:

trabaje en un área con buena ventilación y trabaje con equipo de seguridad aprobado, como mascarillas para el polvo diseñadas específicamente para filtrar partículas microscópicas.



ADVERTENCIA

PARA REDUCIR EL RIESGO DE LESIÓN, EL USUARIO DEBE LEER EL MANUAL DE INSTRUCCIÓN.

4 Uso conforme a lo previsto

La herramienta eléctrica está prevista para el fresado de madera, plástico y materiales similares.



El usuario será responsable de cualquier utilización indebida.

5 Datos técnicos

Fresadora de cantos	MFK 700 EQ
Potencia	720 W
Número de revoluciones	10.000 - 26.000 rpm
N.º de revoluciones máx. (marcha en vacío)	26.000 rpm
Fijación de herramienta	5/16" (opcional: 6 mm, 1/4")
Ø de la fresa, máx.	26 mm / 1"

Fresadora de cantos	MFK 700 EQ
Conexión aspiración del polvo Ø	1-1/16" (27 mm)
Peso según procedimiento EPTA 01:2014:	4.4 lbs (2.0 kg)

6 Componentes de la herramienta

- [1-1]** MFK 700 con mesa de fresar con soporte amplio
- [1-2]** Tope lateral con barras guía y ajuste fino
- [1-3]** Caperuza de aspiración para mesa de fresar con soporte amplio con racor de aspiración
- [1-4]** Mesa de fresar para cubrecantos con rodillo palpador y caperuza de aspiración (solo en la dotación de suministro Set)
- [1-5]** Superficie de agarre, bloqueo para profundidad de fresado
- [1-6]** Superficie de agarre

Las imágenes con la dotación de suministro se encuentran en al comienzo de este manual de instrucciones.

7 Puesta en servicio



ADVERTENCIA

Tensión o frecuencia no permitida

Peligro de accidente

- La tensión de red y la frecuencia de la red eléctrica deben coincidir con los datos que figuran en la placa de tipo.
- En Norteamérica solo pueden utilizarse las máquinas Festool con una tensión de 120 V/60 Hz.

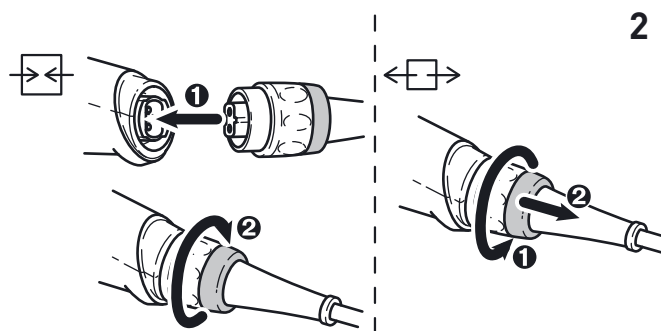


PRECAUCIÓN

Calentamiento de la conexión plug-it porque el cierre de bayoneta no está completamente blo-queado

Peligro de quemaduras

- Antes de conectar la herramienta eléctrica, asegúrese de que el cierre de bayoneta del cable de conexión a la red eléctrica esté completamente cerrado y bloqueado.



Conexión y desconexión del cable de conexión a la red, véase la imagen [2].

7.1 Cable de prolongación

Si se necesita un cable de prolongación, este debe tener una sección transversal suficiente para evitar una caída excesiva de voltaje o un sobrecalentamiento. Una caída excesiva de voltaje reduce la potencia y puede ocasionar un fallo del motor. La siguiente tabla muestra el diámetro correcto del cable para esta herramienta en función de su longitud.

Dimensiones del cable en AWG

Amperaje de la herramienta	Longitud del cable en pies			
	25	50	100	150
3-6	18	16	16	14
6-8	18	16	14	12
8-10	18	16	14	12
10-12	16	16	14	12
12-16	14	12	-	-

Dimensiones del cable en mm²

Amperaje de la herramienta	Longitud del cable en metros			
	15	30	60	120
3-6	0.75	0.75	1.5	2.5
6-8	0.75	1.0	2.5	4.0
8-10	0.75	1.0	2.5	4.0
10-12	1.0	2.5	4.0	-
12-16	-	-	-	-

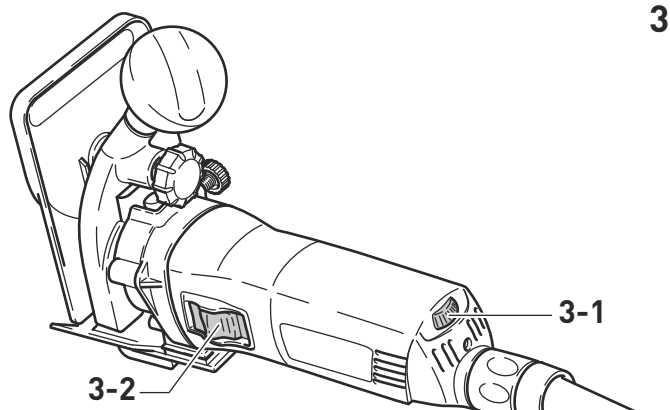
Usar solo cables de prolongación contemplados por el estándar NRTL.

No utilizar nunca dos cables de prolongación juntos. Utilizar uno largo en su lugar.

- ⓘ Cuanto más bajo sea el número AWG, más fuerte será el cable.

7.2 Conexión y desconexión

El interruptor [3-2] sirve como interruptor de conexión y desconexión (1 = CONECTADO, 0 = DESCONECTADO).



8 Ajustes



ADVERTENCIA

Peligro de lesiones y electrocución

- Desconectar el enchufe de la red antes de realizar cualquier trabajo en la máquina.

8.1 Sistema electrónico

Número de revoluciones constante

El número preseleccionado de revoluciones del motor se mantiene constante gracias a un sistema electrónico. De este modo se consigue una velocidad estable también con carga.

Regulación del número de revoluciones

El número de revoluciones puede ajustarse con la rueda de ajuste [3-1] de modo continuo dentro del rango de revoluciones (véase el capítulo Datos técnicos). De este modo, la velocidad puede adaptarse perfectamente a cada material. Para ello, tenga en cuenta también la información que contiene la herramienta.

Reduciendo el número de revoluciones se pueden evitar las marcas de quemaduras o de fundido en el material.

Protector contra sobretensión

Si el motor alcanza una temperatura excesiva, se reducen la alimentación de corriente y el número de revoluciones. La herramienta eléctrica seguirá funcionando a potencia reducida para permitir que el motor se enfríe rápidamente mediante el sistema de ventilación. Una vez enfriada, la herramienta eléctrica arranca automáticamente.

Protección contra re arranque

La protección contra re arranque integrada impide que la herramienta eléctrica se vuelva a

poner en funcionamiento de forma automática tras una caída de la tensión si el interruptor de conexión y desconexión está accionado. En ese caso, la herramienta eléctrica debe desconectarse y volver a conectarse.

La herramienta eléctrica no puede conectarse ni desconectarse mediante un módulo de conmutación externo a causa de la protección contra re arranque incorporada.

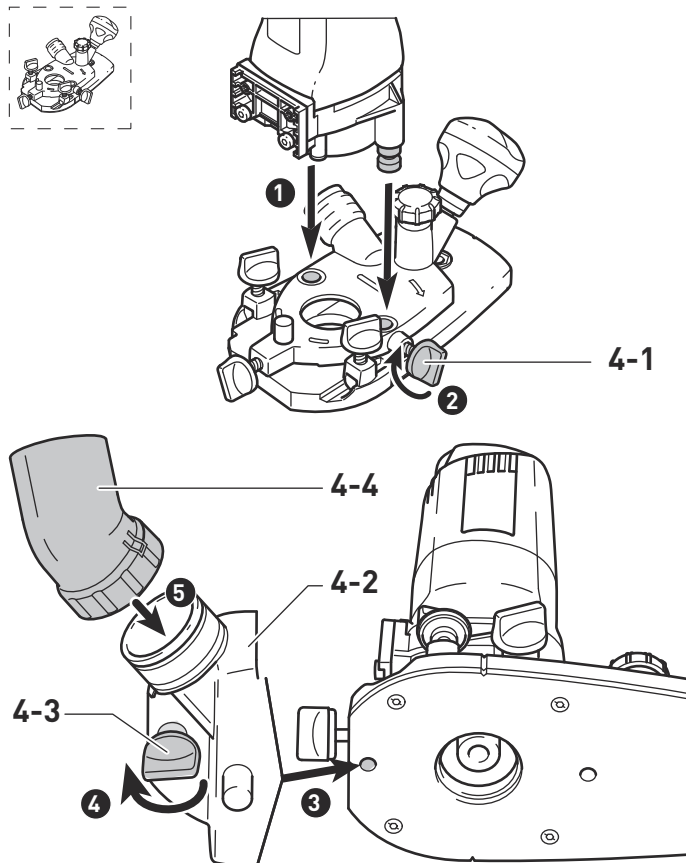
8.2 Cambio de la mesa de fresar

La dotación de suministro de serie incluye la "mesa de fresar con gran superficie de apoyo" premontada. Esta mesa de fresar asegura una elevada exactitud de fresado gracias a la gran superficie de apoyo y a sus posibilidades de ajuste de precisión. En el programa de accesos encontrará más mesas de fresar.

Mesa de fresar con gran superficie de apoyo

- Desplace la mesa de fresar sobre los pernos de alojamiento de la máquina.
- Bloquee la mesa de fresar apretando los tornillos [4-1].
- Coloque la caperuza de aspiración [4-2].
- Bloquee la caperuza de aspiración apretando los tornillos [4-3].
- Coloque el racor de aspiración [4-4] sobre la caperuza de aspiración.

Desmontaje en el orden inverso.



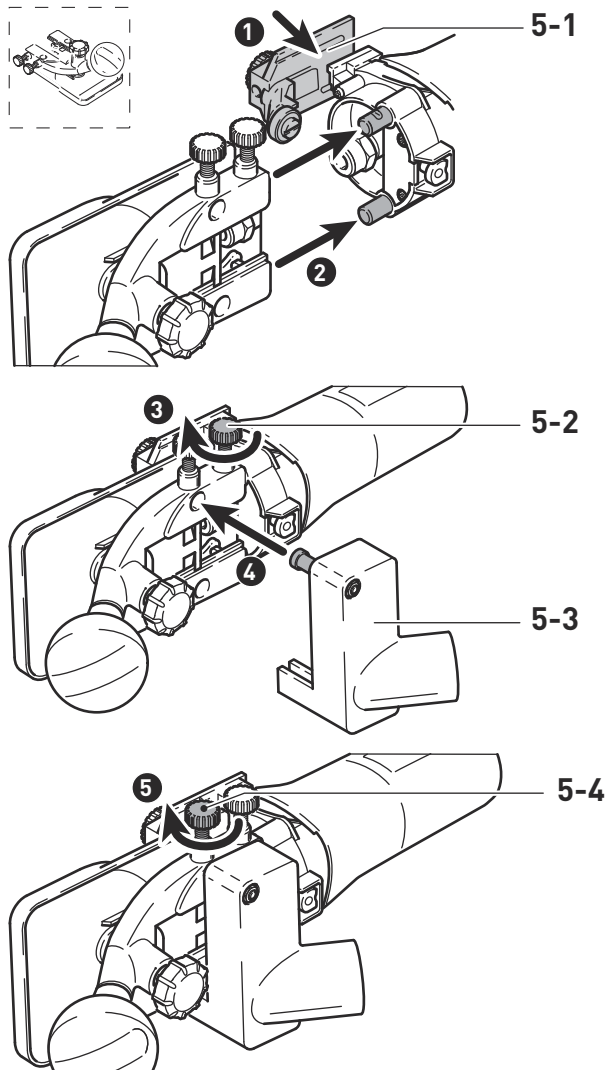
Mesa de fresar para cantos preencolados

La "mesa de fresar para cantos preencolados" (sólo en la dotación de suministro SET) está prevista para el fresado enrasado de restos de colas, así como para el fresado de perfiles.

i La mesa de fresar está inclinada unos 1,5° para que no se deteriore el recubrimiento de la plancha al utilizar la fresadora de cantos. Para realizar fresados con un ángulo recto exacto, también está disponible una mesa de fresar con una inclinación de 0° como accesorio.

- ▶ Fije el dispositivo palpador **[5-1]** a la máquina con los tornillos premontados. Desplazando el dispositivo palpador en los agujeros alargados, éste puede ajustarse de forma óptima en la fresadora.
- ▶ Desplace la mesa de fresar sobre los pernos de alojamiento de la máquina.
- ▶ Bloquee la mesa de fresar apretando los tornillos **[5-2]**.
- ▶ Coloque la caperuza de aspiración **[5-3]**.
- ▶ Bloquee la caperuza de aspiración apretando los tornillos **[5-4]**.

Desmontaje en el orden inverso.



8.3 Cambio de herramienta



PRECAUCIÓN

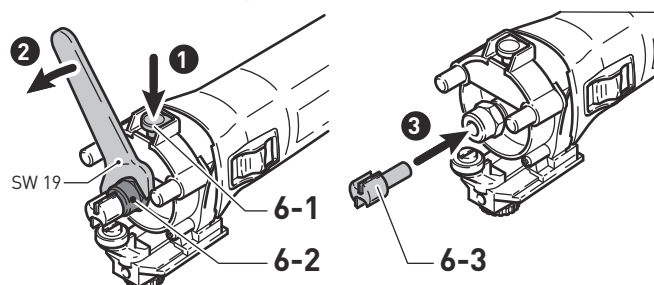
Riesgo de lesiones con herramientas calientes y afiladas

- ▶ No utilizar herramientas romas o defectuosas.
- ▶ Usar guantes de protección al manejar la herramienta.

Antes de cambiar la fresadora, quitar la mesa de fresar.

Extracción de la herramienta

- ▶ Presionar el bloqueo del husillo **[6-1]**.
- ▶ Aflojar la tuerca de racor **[6-2]** con la llave bifurcada (SW 19) hasta que se pueda quitar la herramienta.
- ▶ Soltar el bloqueo del husillo **[6-1]**.



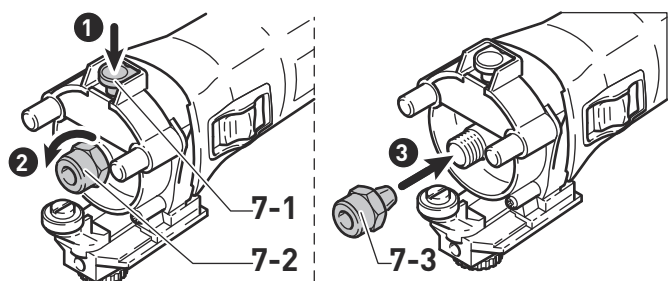
Inserción de la herramienta

- ▶ Introducir la fresadora **[6-3]** en la pinza abierta tanto como sea posible \surd y al menos hasta la marca del vástago de la fresa.
- ▶ Presionar el bloqueo del husillo **[6-1]**.
- ▶ Apretar la tuerca de racor **[6-2]** con la llave bifurcada (SW 19).
- ▶ Soltar el bloqueo del husillo **[6-1]**.

8.4 Cambio de la pinza

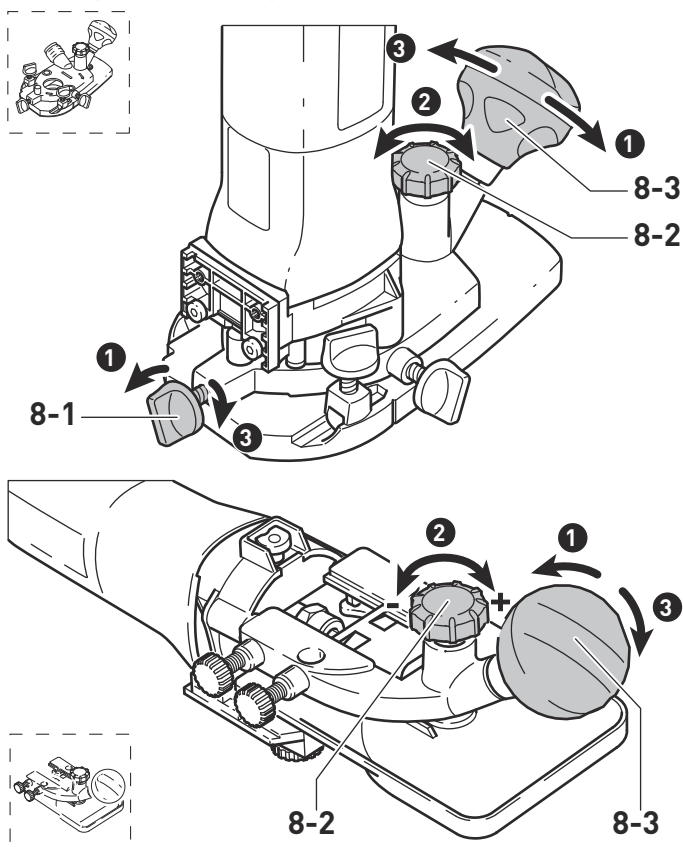
Solo deben emplearse las herramientas adecuadas con las pinzas suministradas. Pueden emplearse pinzas con 8 mm, 6 mm y 1/4" (6,35 mm).

- ▶ Presionar el bloqueo del husillo **[7-1]**.
- ▶ Girar totalmente la tuerca de racor **[7-2]**.
- ▶ Soltar el bloqueo del husillo **[7-1]**.
- ▶ Extraer del husillo la tuerca de racor junto con la pinza **[7-3]**. **No separar nunca la tuerca de racor y la pinza**, puesto que forman una unidad.
- ▶ Colocar otra pinza con tuerca de racor en el husillo.
- ▶ Apretar ligeramente la tuerca de racor. **¡No apretar del todo la tuerca de racor mientras no haya una fresa insertada!**



8.5 Ajuste de la profundidad de fresado

- ▶ Afloje el botón giratorio [8-3] y el pinzamiento [8-1] (sólo "mesa de fresar con gran superficie de apoyo").
- ▶ Ajuste la mesa de fresar en la rueda giratoria [8-2] a la profundidad de fresado deseada.
- ▶ Apriete el botón giratorio [8-3] y el pinzamiento [8-1] (sólo "mesa de fresar con gran superficie de apoyo").



8.6 Aspiración



ADVERTENCIA

Consecuencias perjudiciales para la salud a causa del polvo

- ▶ El polvo puede ser perjudicial para la salud. Por este motivo, no trabaje nunca sin aspiración.
- ▶ Durante la aspiración de polvo perjudicial para la salud, respete siempre las normativas nacionales.

Para ambas mesas de fresar se suministran caperuzas de aspiración que pueden conectarse a un aspirador Festool (tubo flexible de aspiración de \varnothing 27 mm).

Según el tipo de aplicación puede también colocarse el dispositivo de aspiración (tubo flexible de aspiración con \varnothing 27 mm) en la "mesa de fresar con gran superficie de apoyo" o bien en el tope lateral.

ATENCIÓN. Si no se utiliza una manguera de aspiración antiestática, puede cargarse de energía estática. El usuario puede sufrir una descarga eléctrica y la electrónica de la herramienta eléctrica puede resultar dañada.

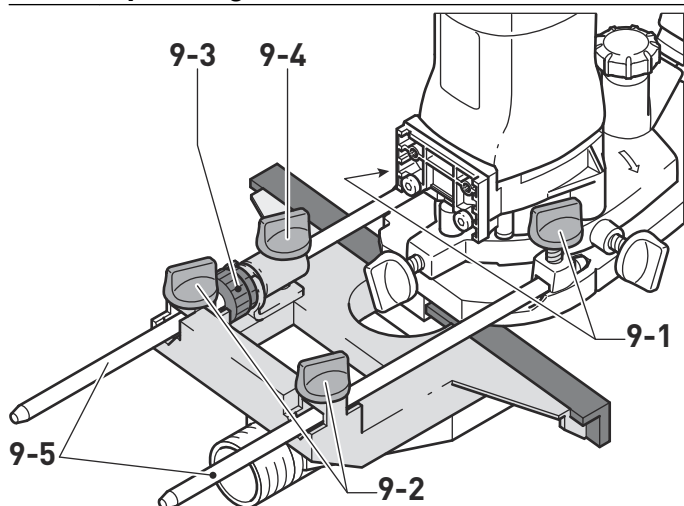
9 Trabajo con la herramienta eléctrica



Durante el trabajo tenga en cuenta todas las indicaciones de seguridad especificadas al principio, así como las siguientes reglas:

- Fije la pieza de trabajo siempre de forma que no se pueda mover cuando se trabaje con ella.
- Sujetar la máquina con ambas manos por la carcasa del motor y la cabeza del engranaje o por el asa adicional [1-5] para conseguir un guiado seguro.
- Ajuste la velocidad de avance al diámetro de la fresa y al material. Trabaje con una velocidad de avance constante.
- Dirija la herramienta eléctrica hacia la pieza de trabajo solo cuando esté conectada.
- **Esperar a que la herramienta eléctrica esté completamente parada antes de guardarla.** La herramienta podría engancharse, lo que podría causar la pérdida de control de la herramienta eléctrica.
- Asegúrese de que la mesa de fresar está bien apretada antes de comenzar a fresar.
- Fresar solo a contramarcha (sentido de avance de la herramienta eléctrica en la dirección de corte de la herramienta).

9.1 Tipos de guiado



Fresado con el tope lateral

Para trabajos de fresado se emplea el tope lateral en paralelo al canto de la pieza de trabajo. Sólo puede montarse el tope lateral en la "mesa de fresar con gran superficie de apoyo" y sin que haya una caperuza de aspiración [4-2] montada.

- ▶ Coloque el ajuste fino [9-3] en el tope lateral.
- ▶ Fije las dos barras guía [9-5] con los botones giratorios [9-2] en el tope lateral.
- ▶ Introduzca el tope lateral en las ranuras de la mesa de fresar hasta la medida deseada y fije las barras guía con el botón giratorio [9-1].

Ajuste fino

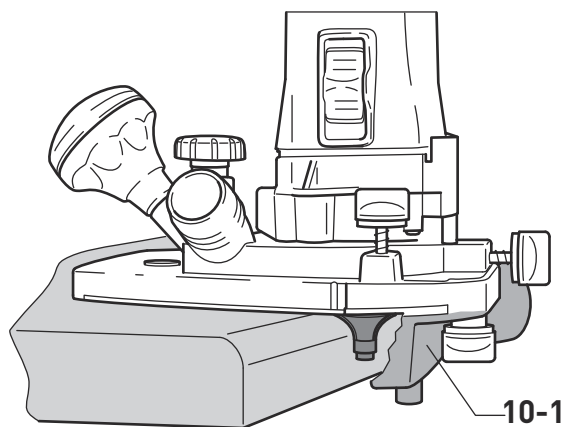
- ▶ Afloje los tornillos [9-2] y manipule la rueda giratoria del ajuste fino [9-3] drehen. Una marca de la rueda giratoria equivale a 0,1 mm, una vuelta completa equivale a 1 mm.
- ▶ Apriete los tornillos. [9-2].

Ajuste basto

- ▶ Afloje los tornillos [9-2] y [9-4] y desplace el tope lateral.
- ▶ Apriete los tornillos.

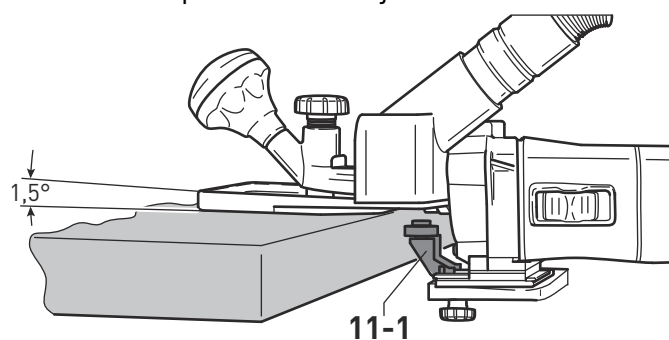
Tratamiento de cantos con cojinete de arrastre [figura 10]

Para el tratamiento de cantos con la "mesa de fresar con gran superficie de apoyo" se colocan fresadoras con cojinete de arrastre en la máquina. De esta manera, la máquina se guiará de modo que el cojinete de arrastre gire en la pieza de trabajo. Durante el tratamiento de cantos utilice siempre la caperuza de aspiración [10-1] para mejorar la aspiración.



Tratamiento de cantos con dispositivo palpador y mesa de fresar para cantos preencolados [figura 11]

Para el tratamiento de cantos con la mesa de fresar para cantos preencolados (sólo en la dotación de suministro SET) se monta el dispositivo palpador [11-1] en la máquina (véase capítulo). De esta manera, la máquina se guiará de modo que el dispositivo palpador entre en contacto con la pieza de trabajo.



- Fresar solo a contramarcha (sentido de avance de la herramienta eléctrica en la dirección de corte de la herramienta).

10 Mantenimiento y limpieza



ADVERTENCIA

Cualquier trabajo de mantenimiento o reparación que requiera abrir el motor o la carcasa del engranaje deberá ser realizado únicamente por un Centro de Atención al Cliente (nombre proporcionado por su concesionario).

- ▶ Los trabajos de mantenimiento o reparación realizados por una persona no autorizada podrían provocar la conexión incorrecta de los conductores de alimentación u otros componentes, lo que a su vez podría provocar accidentes con consecuencias graves.



ADVERTENCIA

Para prevenir los accidentes, antes de realizar cualquier trabajo de mantenimiento o reparación en la máquina retire siempre el enchufe de la toma de corriente.

- ▶ No utilice aire a presión para limpiar las herramientas eléctricas. No intente limpiar las partes internas de la máquina de este modo, ya que podría permitir la entrada de objetos extraños a través de las aperturas de la carcasa de la máquina.



PRECAUCIÓN

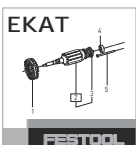
Algunos productos de limpieza y disolventes resultan perjudiciales para las piezas de plástico.

- ▶ Algunos de ellos incluyen, entre otros, gasolina, acetona, metiletilcetona (MEK) y oxocloruro de carbono. Los productos de limpieza normalmente contienen cloro y amoníaco y los productos de limpieza del hogar contienen amoníaco.



El servicio de atención al cliente y de reparaciones solo está disponible a través del fabricante o de los talleres de reparación. Dirección más cercana en: www.festool.es/

servicio



Utilice únicamente piezas de recambio Festool originales. Referencia en: www.festool.es/servicio

- ▶ Los dispositivos de protección y las piezas que presenten daños deben ser reparados o sustituidos conforme a lo prescrito por un taller especializado autorizado, a menos que se especifique de otro modo en el manual de instrucciones.
- ▶ El aparato está equipado con escobillas especiales autodesconectables. Si las escobillas están desgastadas, se interrumpe automáticamente la corriente y la máquina se detiene.
- ▶ A fin de garantizar una correcta circulación del aire, las aberturas para el aire de refrigeración dispuestas en la carcasa del motor deben mantenerse libres y limpias.

11 Accesorios

Utilice únicamente los accesorios Festool originales y el material de consumo Festool diseñados

para esta máquina, puesto que los componentes de este sistema están óptimamente adaptados entre sí. La utilización de accesorios y material de consumo de otros fabricantes puede afectar a la calidad de los resultados de trabajo y conllevar una limitación de los derechos de la garantía. El desgaste de la máquina o de su carga personal puede variar en función de la aplicación. Utilice únicamente accesorios originales y material de consumo de Festool para su propia protección y la de la máquina, así como de los derechos de la garantía.

Los números de pedido para los respectivos accesorios y herramientas se encuentran en su catálogo Festool o en la dirección de Internet "www.festoolusa.com".

11.1 SYSTAINER

Systainer

Muchos de los productos Festool se entregan en un embalaje exclusivo denominado "Systainer" que sirve de protección a la herramienta y sus complementos, además de facilitar su almacenamiento. Los Systainer pueden apilarse y encajan unos con otros. Además se adaptan sin problema a cualquier aparato de aspiración CT de Festool.

Para abrir el Systainer



Gire el T-loc **[SYS-b-1]** a esta posición.

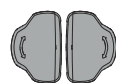
Para cerrar el Systainer



Gire el T-loc **[SYS-b-1]** a esta posición.

Para encajar dos Systainer

Ponga el Systainer sobre un otro **[SYS-a]**.



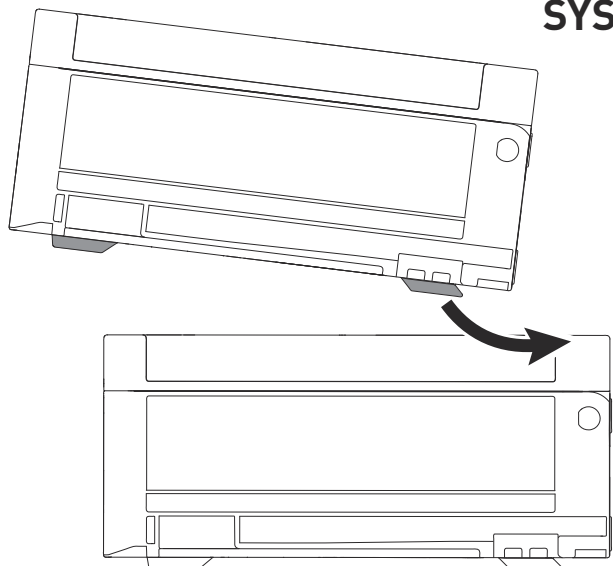
Gire el T-loc **[SYS-b-1]** a una de estas posiciones (Fig. **[SYS-b]**).

Los Systainers están encajados y cerrados.

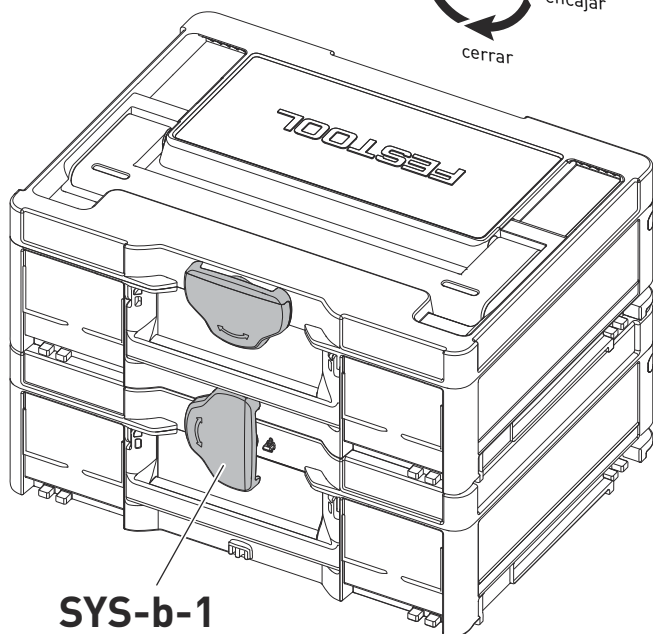
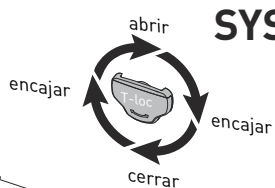
- ① El Systainer Classic Line se puede unir por la parte inferior con un Systainer T-Loc o con un Systainer³ por medio de sus cuatro enclavamientos

El Systainer T-Loc se puede unir por abajo o por arriba con un Systainer³.

SYS-a



SYS-b



SYS-b-1

12 Medio ambiente

No deseche la herramienta junto con los residuos domésticos. Recicle las herramientas, accesorios y embalajes de forma respetuosa con el medio ambiente. Respete la normativa vigente del país.