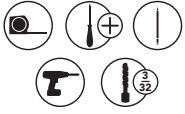


**TOOLS REQUIRED:**



**ESTIMATED ASSEMBLY TIME:**

**15 MIN**

**CARE AND MAINTENANCE:**

**CLEAN WITH A DAMP CLOTH AND WIPE PARTS DRY**

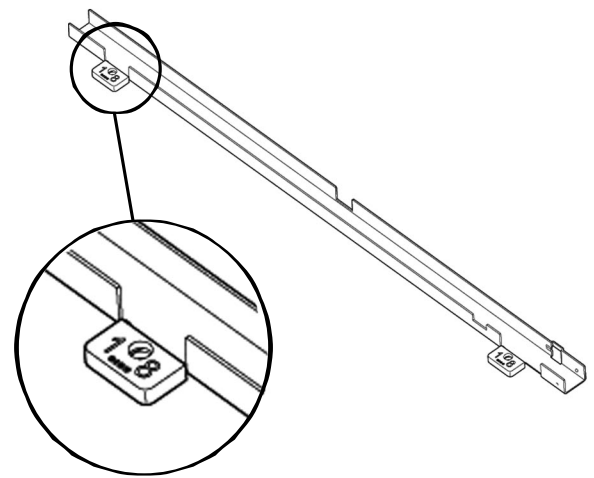
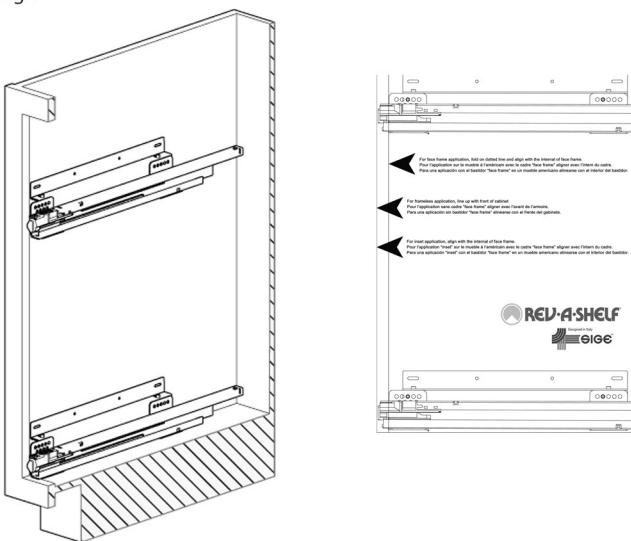
**PARTS LIST:**

**BASKET(S),  
SLIDE SET,  
DOOR BRACKETS**

**1) Install the slides to the wall of the cabinet using the template provided or the dimensions listed in the attached diagram. See note in Fig.2 and in the template for inset application**

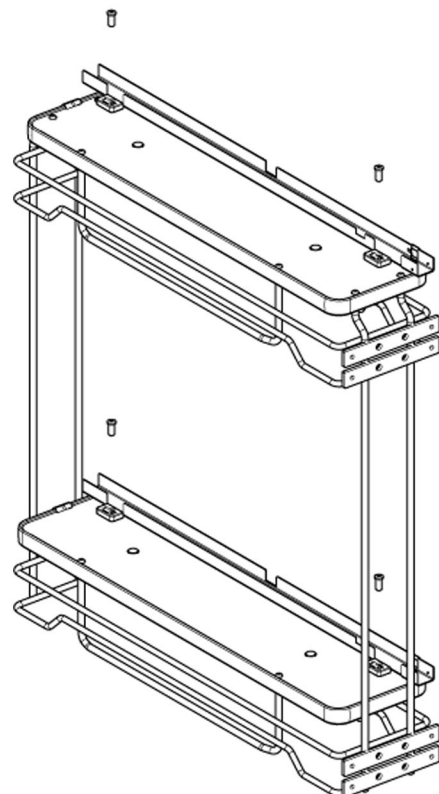
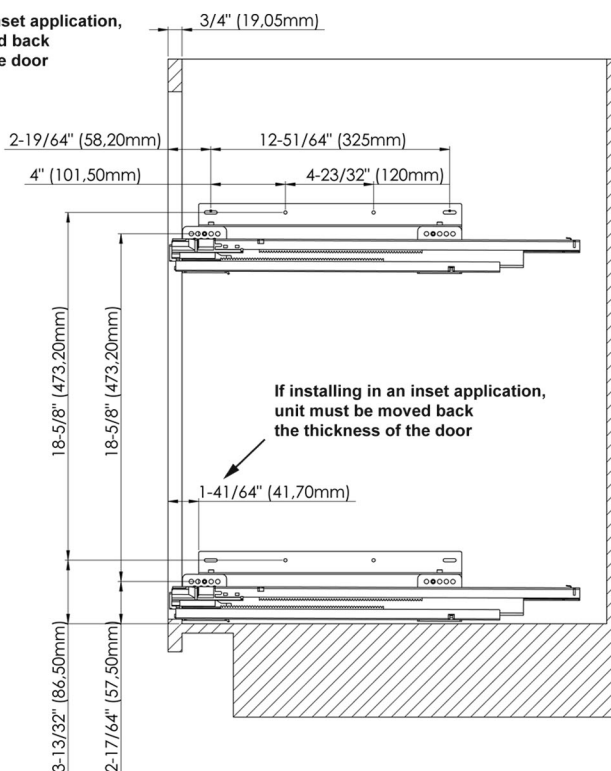
**2) Fix the plastic clips in the cover and install it under the shelves as shown in the picture below. Attention: the plastic clips must be fixed as shown; when it is installed to the shelves you have to see number 18.**

Fig 1

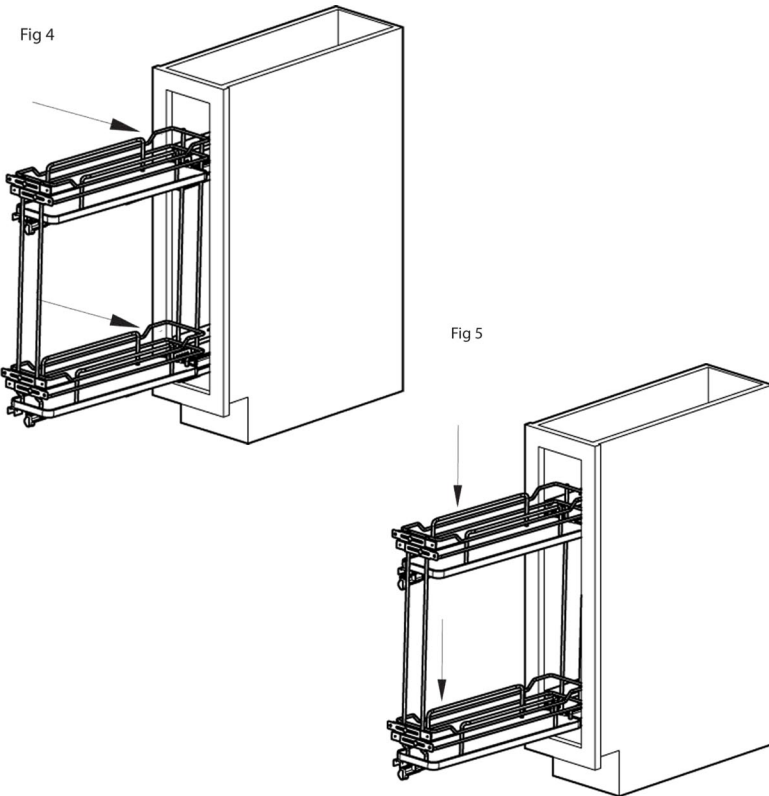


If installing in an inset application, unit must be moved back the thickness of the door

Fig 2



**3)** Ensure that the slides are fully extended. Install the basket assembly onto both slides at the same time engaging the rear first, followed by clicking the front into place. (Fig 4-5)



**5)** The door can now be attached and adjusted according to the following images. (Fig 6-8)

Fig 6

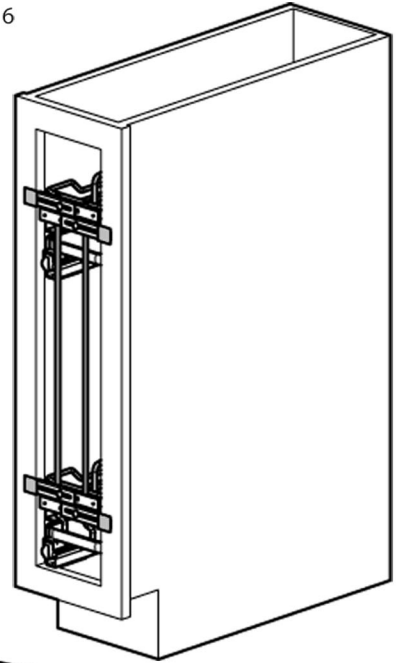
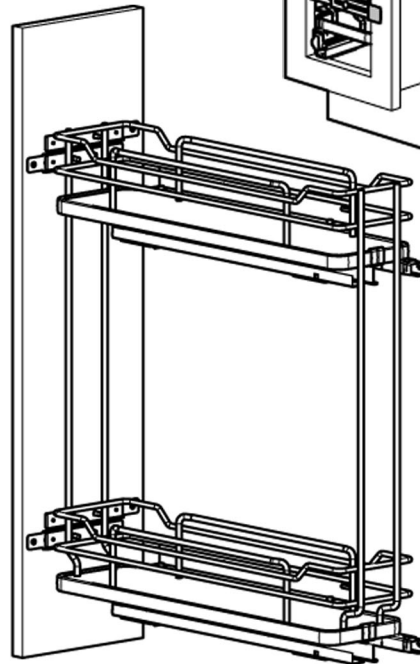


Fig 7



**4)** If attaching a door to the front of the unit, install the door mounting brackets to the back of the door using the dimensions in the following diagram. Note: Be sure to install the screws into a portion of the door that is full material thickness.

