

MODEL 3932

Full extension
 Traditional and 32 mm system
 High-strength low-alloy steel members
 Up to 150 lbs. [68.0 kg.] per pair*

3932 Quick Reference

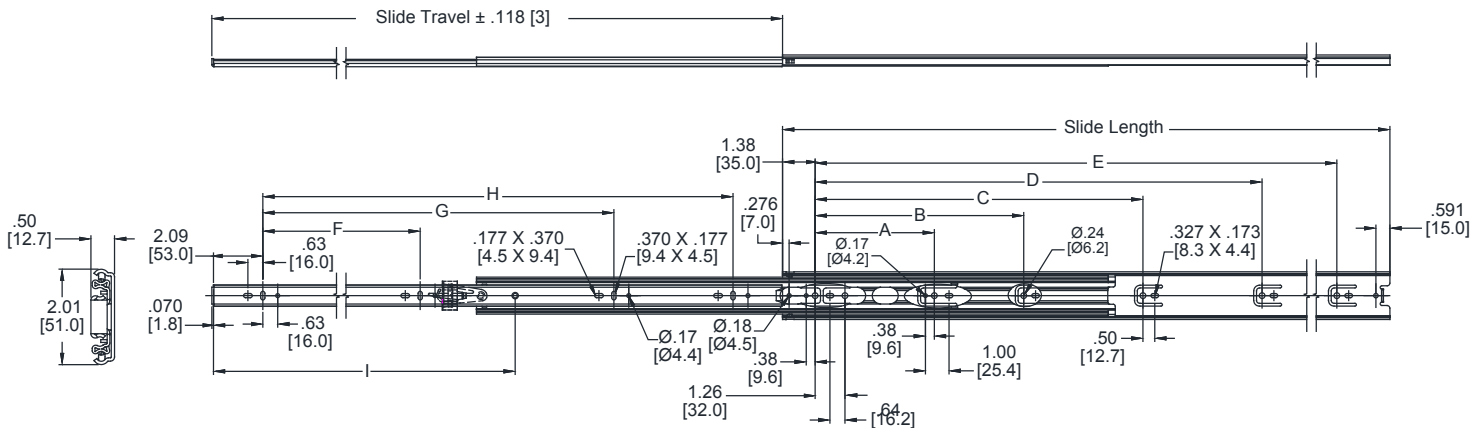
Side Space: .500" + .031/-0.000
 [12.70 + 0.79/-0.00 mm]

Lengths: 10"-28"

Height: 2.00"

Load: 150 lbs.*

Drawer Member is Flush or Under in Closed Position



Inches
mm

- Finish:** Clear electroplate (C)
- Lengths:** 10"-28"
[250 mm-700 mm]
- Load Rating:** Up to 150 lbs.
[68.0 kg.] per pair*
- Drawer Width:** Up to 36"***
[914.40 mm] wide
- Travel:** Full extension
- Disconnect:** Front, handed lever
- Height:** 2.00" [51.00 mm]
- Side Space:** .500" + .031/-0.000
[12.70 + 0.79/-0.00 mm]
- Mounting:** Side
- Hardware:** Flat head 6 mm
Euro System
screw or #8 pan
head screw
- Ball Bearings:** Steel
- Features:** Hold-in detent;
silenced open
and closed

Part Number	Slide Length	Slide Travel	A	B	C	D	E	F	G	H	I
3932-10	9.84 [250]	9.84 [250]		3.78 [96]	6.30 [160]			6.30 [160]			6.73 [171]
3932-12	11.81 [300]	11.81 [300]		3.78 [96]	8.82 [224]			7.56 [192]			8.23 [209]
3932-14	13.78 [350]	13.78 [350]	5.04 [128]	10.08 [256]				3.78 [96]	10.08 [256]		9.69 [246]
3932-16	15.75 [400]	15.75 [400]	5.04 [128]	7.56 [192]	12.60 [320]			5.04 [128]	11.34 [288]		10.67 [271]
3932-18	17.72 [450]	17.72 [450]	5.04 [128]	10.08 [256]	13.86 [352]			6.30 [160]	13.86 [352]		11.54 [293]
3932-20	19.69 [500]	19.69 [500]	5.04 [128]	8.82 [224]	11.34 [288]	16.38 [416]		7.56 [192]	15.12 [384]		12.68 [322]
3932-22	21.65 [550]	21.65 [550]	5.04 [128]	8.82 [224]	13.86 [352]	17.64 [448]		7.56 [192]	17.64 [448]		13.62 [346]
3932-24	23.62 [600]	23.62 [600]	5.04 [128]	8.82 [224]	13.86 [352]	20.17 [512]		8.82 [224]	18.90 [480]		14.61 [371]
3932-26	25.60 [650]	25.60 [650]	5.04 [128]	8.82 [224]	13.86 [352]	17.64 [448]	22.68 [576]	10.08 [256]	21.42 [544]		15.60 [396]
3932-28	27.56 [700]	27.56 [700]	5.04 [128]	8.82 [224]	13.86 [352]	18.90 [480]	23.94 [608]	10.08 [256]	17.64 [448]	22.68 [576]	16.18 [411]

* Load rating based on the a 22" slide mounted in a 24" wide drawer cycled 50,000 times.
 (Exceeds AWI and BHMA 1HD-100 standards.)

** Drawer width based on a 18" slide mounted in a 36" wide drawer cycled 50,000 times.

Install Cabinet Member

1. Separate slide members by lifting up the left hand disconnect lever and pushing down the right hand lever.
2. Install cabinet (large) member first. For applications with and overlay drawer front, refer to Figure 1 for conventional mounting and Figure 2 for 32 mm system mounting. For applications with an inset drawer front, set the slide back the thickness of the drawer front plus 1/8" [3.2 mm].

4. Make sure the ball bearing retainer in the cabinet side are fully forward. Install drawer into cabinet. Close the drawer.
5. Install additional set screws to secure.

NOTE: Install drawer pull or knobs after set screw are in place.

Face Frame Installation

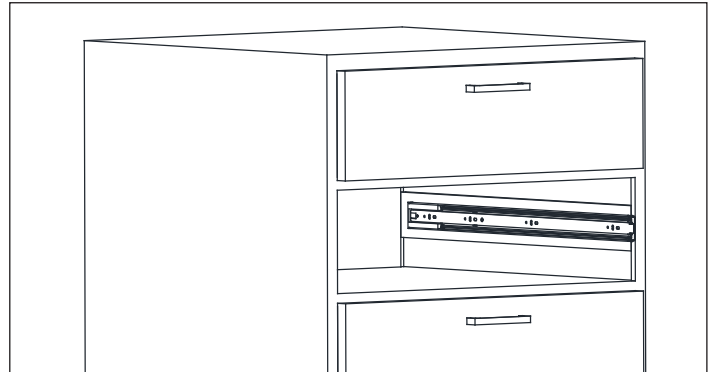


Figure 1 Conventional Mounting—Cabinet

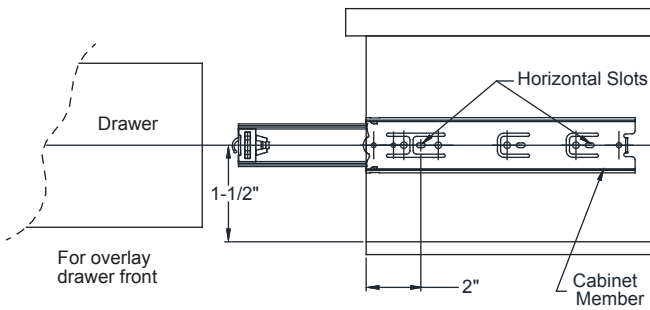
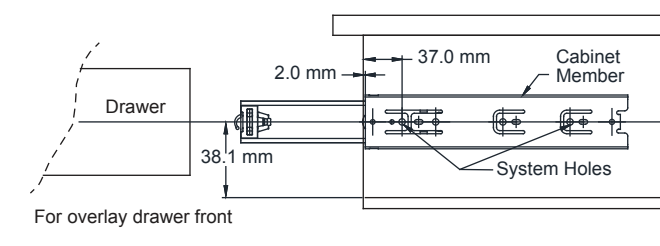
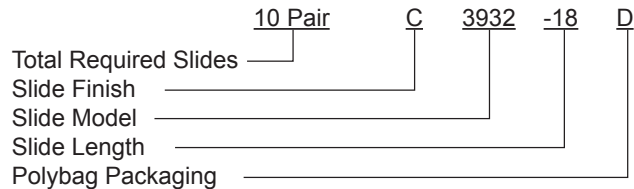


Figure 2 32mm System—Cabinet



Slide Ordering Information

Complete your slide order for Accuride model 3932 by specifying the following:



Install Drawer Member

3. Install the drawer member with a screw through a hole or slot at the front and rear.

Packaging

Distributor (D) Pack:

Polybag contains one pair of slides with mounting screws.
 Lengths 10" – 20" 10 pair per box
 Lengths 22" – 28" 5 pair per box

Bulk (P) Pack:

Slides only.
 Lengths 10" – 20" 10 pair per box
 Lengths 22" – 28" 7 pairs per box

Specifications

Slide members and ball retainers: High-Strength low-alloy steel members

Ball bearing: Carburized steel

RoHS compliant.

NOTE: Specifications, materials, prices, terms, and delivery are subject to change without notice.



Accuride International Inc.

12311 Shoemaker Avenue
 Santa Fe Springs, CA 90670
 TEL (562) 903-0200
 FAX (562) 903-0208

Manufacturing, Engineering, and Sales
 United States • Germany • Japan • Mexico • United Kingdom • China

For the most current technical information visit www.accuride.com

⚠ WARNING: This product can expose you to chemicals including nickel, which is known to the State of California to cause cancer and birth defects or other reproductive harm. For more information go to www.P65Warnings.ca.gov.

