

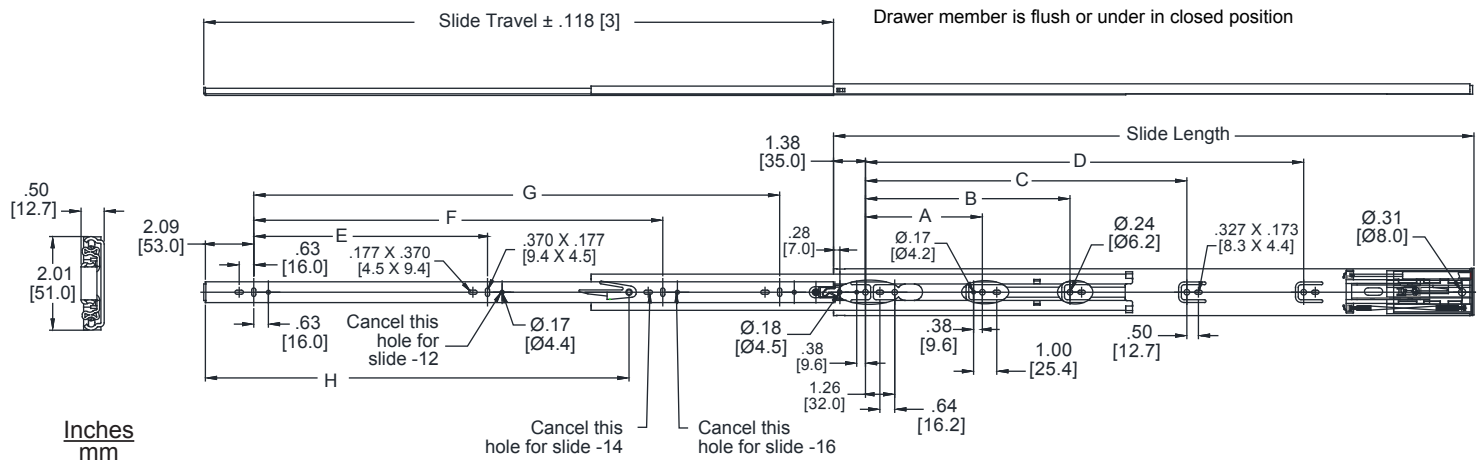


# 3932EC Quick Reference

## MODEL 3932EC

Easy-close feature  
Full extension  
Traditional and 32 mm system  
High-strength low-alloy steel members  
Up to 150 lbs. [68.0 kg.] per pair\*

Side Space: .500" + .031/-0.000  
[12.70 + 0.79/-0.00 mm]  
Lengths: 12"-28"  
Height: 2.00"  
Load: 150 lbs.\*



- Finish:** Clear electroplate (C)
- Lengths:** 12"-28"  
[300 mm-700 mm]
- Load Rating:** Up to 150 lbs.  
[68.0 kg.] per pair\*
- Travel:** Full extension
- Drawer Width:** Up to 36" [914.40 mm]\*\*
- Disconnect:** Handed lever disconnect
- Height:** 2.00" [51.00 mm]
- Side Space:** .500" + .031/-0.000  
[12.70 + 0.79/-0.00 mm]
- Mounting:** Side
- Hardware:** Flat head 6 mm  
Euro System  
screw or #8 pan  
head screw
- Ball Bearings:** Steel
- Features:** Easy-Close action  
brings drawer to a  
gentle close.

Part Number	Slide Length	Slide Travel	A	B	C	D	E	F	G	H
C 3932-12EC	11.81 [300]	10.83 [275]		3.78 [96]			7.56 [192]			8.35 [212]
C 3932-14EC	13.78 [350]	13.78 [350]	5.04 [128]				5.04 [128]	8.82 [224]		10.35 [263]
C 3932-16EC	15.75 [400]	15.75 [400]	5.04 [128]	7.56 [192]			6.30 [160]	11.34 [288]		12.17 [309]
C 3932-18EC	17.72 [450]	17.72 [450]	5.04 [128]	10.08 [256]			6.30 [160]	15.60 [320]		13.35 [339]
C 3932-20EC	19.69 [500]	19.69 [500]	5.04 [128]	8.82 [224]	11.34 [288]		7.56 [192]	15.12 [384]		14.33 [364]
C 3932-22EC	21.65 [550]	21.65 [550]	5.04 [128]	8.82 [224]	13.86 [352]		8.82 [224]	16.38 [416]		15.20 [386]
C 3932-24EC	23.62 [600]	23.62 [600]	5.04 [128]	8.82 [224]	13.86 [352]		10.08 [256]	18.90 [480]		16.30 [414]
C 3932-26EC	25.60 [650]	25.60 [650]	5.04 [128]	8.82 [224]	13.86 [352]	17.64 [448]	10.08 [256]	20.16 [512]		17.28 [439]
C 3932-28EC	27.56 [700]	27.56 [700]	5.04 [128]	8.82 [224]	13.86 [352]	18.90 [480]	10.08 [256]	17.64 [448]	22.68 [576]	18.27 [464]

**NOTE:** For optimal performance, construct drawer 1-1/16" [27.0 mm] less than cabinet opening.

**NOTE:** Slide may not function properly if side space is less than .50" [12.7 mm]

\* Load rating base on 22" slide mounted in 24" wide drawer cycled 50,000 times

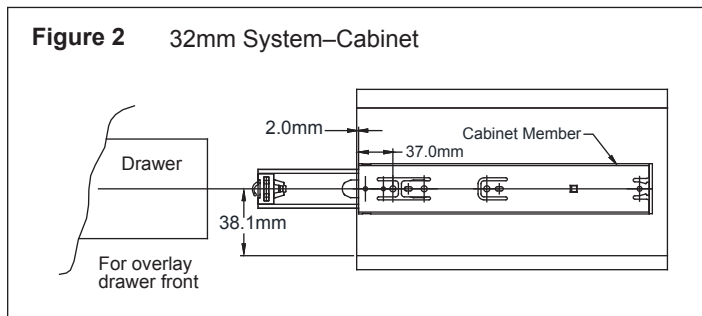
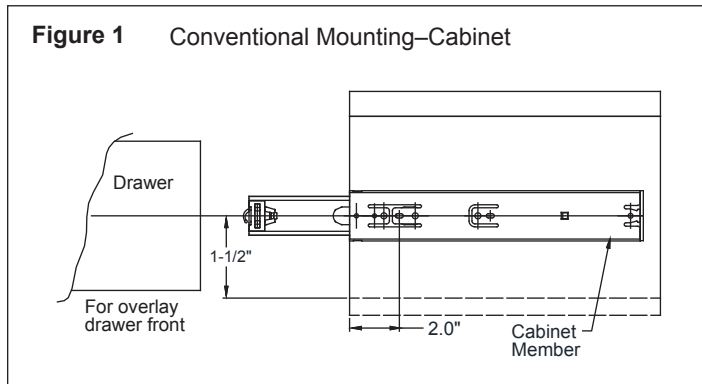
\*\* Drawer width based on an 18" slide mounted on in a 36" wide drawer cycled 50,000 times.

**Drawer Box Preparation**

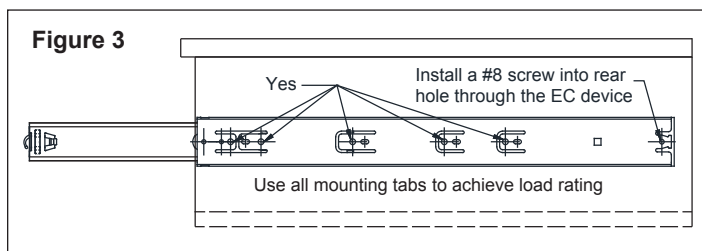
1. Drawer box width should not exceed slide length.
2. Slide will not function properly if slide side space is less than .51" [13mm]. For optimum performance, construct drawer 1-1/16" [27.0mm] smaller than cabinet opening.

**Cabinet Member Installation – Side Mount**

1. Overlay drawer front:
  - Conventional mounting, see Figure 1.
  - 32mm system mounting, see Figure 2.
2. Inset drawer front: slide setback is the thickness of the drawer front plus 1/8" [3.2mm].

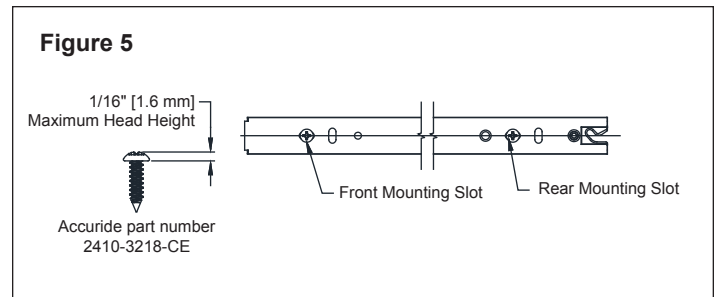
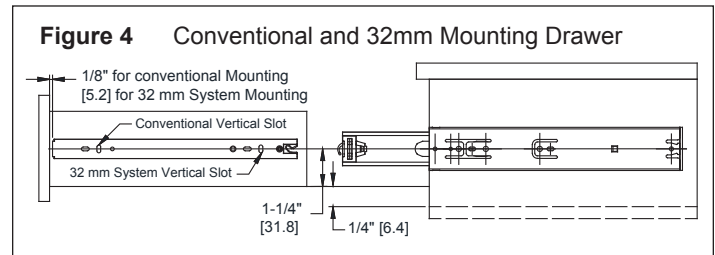


3. Use only the 32mm system holes or the wood screw holes located closest to the tip of the breathing tabs (Figure 3).



**Drawer Member Installation – Side Mount**

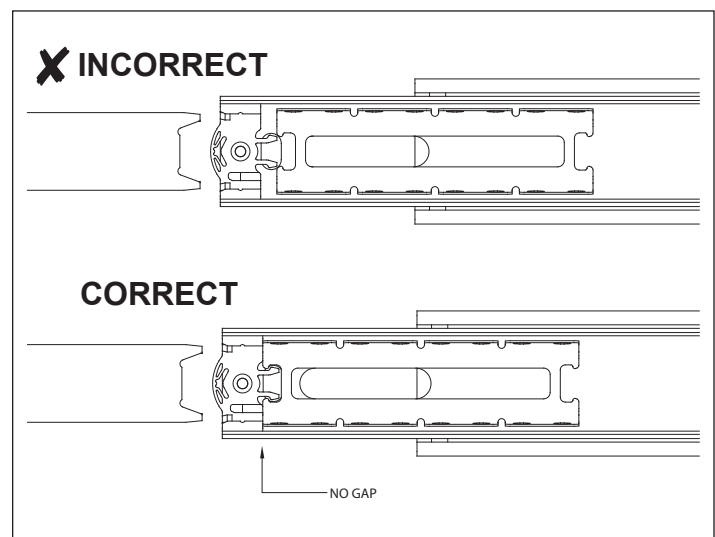
1. See Figure 4 for drawer member setback.
2. Install the drawer member with a screw through a hole or slot at the front and rear (Figure 5). Slots allow for vertical adjustment of drawer, round holes used to fix drawer in place after adjustment.



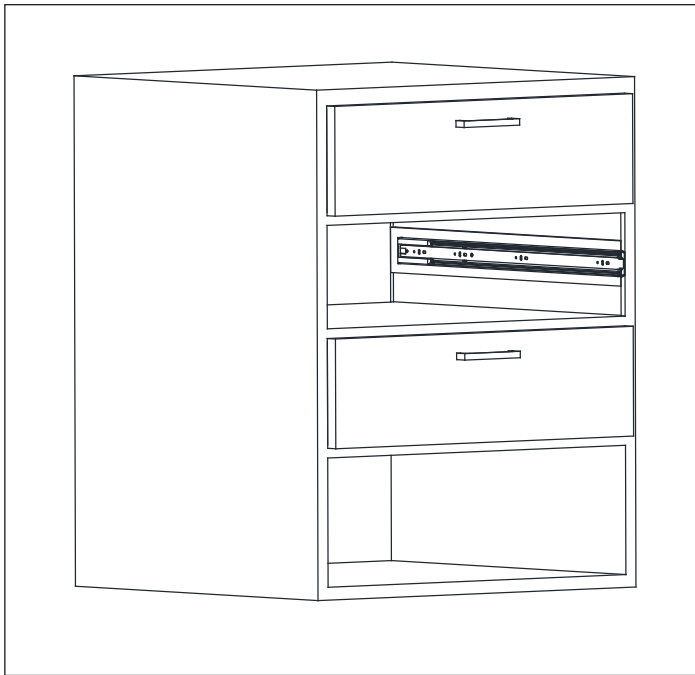
**Drawer Insertion and Adjustment**

1. **Make sure the ball bearing retainers in the cabinet member are fully forward and secured by plastic guide block.** Insert the drawer member into the cabinet member. Push the drawer in until completely closed; the Easy-Close mechanism will click and engage. Cycle the drawer two or three times.

**Note:** If ball retainer is not secure, drawer insertion can be very difficult and you can damage the ball retainer.

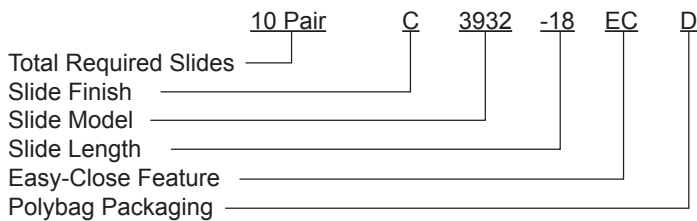


## Face Frame Installation



## Slide Ordering Information

Complete your slide order for Accuride model 3932EC by specifying the following:



## Packaging

### Distributor (D) Pack:

Polybag contains one pair of slides with mounting screws.

Lengths 12" – 20"      10 pair per box

Lengths 22" – 28"      5 pair per box

### Bulk (P) Pack:

Slides only.

Lengths 12" – 20"      10 pair per box

Lengths 22" – 28"      7 pairs per box

## Specifications

Slide members and ball retainers: HSLA (high-strength low-alloy steel)

Ball bearing: Carburized steel

RoHS compliant.

**NOTE:** Specifications, materials, prices, terms, and delivery are subject to change without notice.

# Accuride®

Accuride International Inc.

12311 Shoemaker Avenue

Santa Fe Springs, CA 90670

TEL (562) 903-0200

FAX (562) 903-0208

Manufacturing, Engineering, and Sales

United States • Germany • Japan •

Mexico • United Kingdom • China

For the most current technical information visit [www.accuride.com](http://www.accuride.com)

**⚠ WARNING:** This product can expose you to chemicals including nickel, which is known to the State of California to cause cancer and birth defects or other reproductive harm. For more information go to [www.P65Warnings.ca.gov](http://www.P65Warnings.ca.gov).