

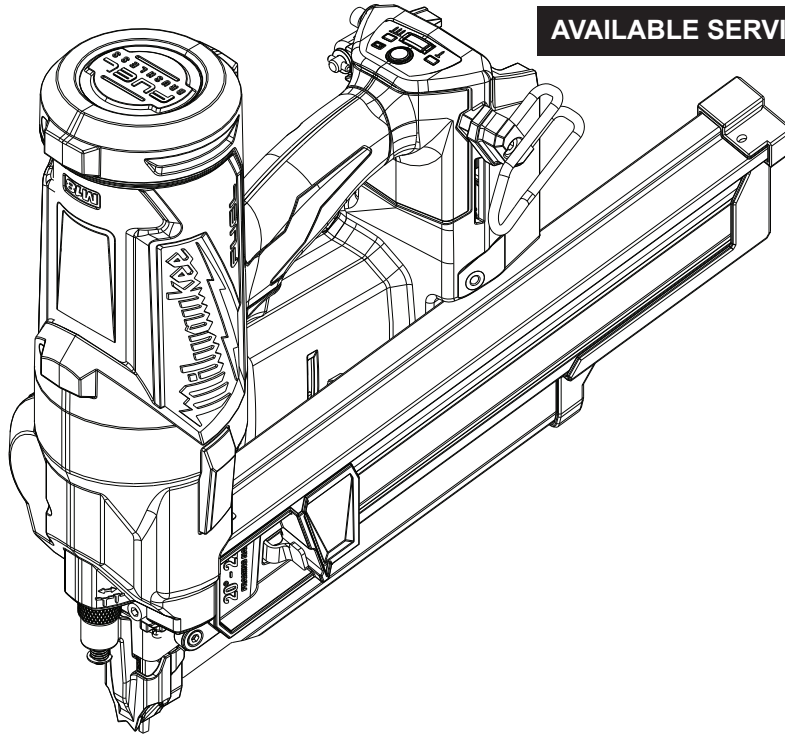


## SERVICE PARTS LIST

BULLETIN NO.  
54-00-2744

SPECIFY CATALOG NO. AND SERIAL NO. WHEN ORDERING PARTS				REVISED BULLETIN	DATE
<b>M18™ FUEL™ Plastic Collated Framing Nailer</b>					Oct. 2020
CATALOG NUMBER	<b>2744-20</b>	SERIAL NUMBER	<b>K82A</b>	WIRING INSTRUCTION	

AVAILABLE SERVICE PARTS PAGE 2 - 3



**Due to the combination of the compressed air system and electronics in this tool, service can only be performed at Milwaukee Authorized Repair Centers:**

**MILWAUKEE ELECTRIC TOOL Central Repair**  
1401 Sycamore Avenue • Greenwood, MS 38930-7277  
Please send your tool directly to this location for service.

Or

**Via e-Service at: [www.milwaukeetool.com/e-service](http://www.milwaukeetool.com/e-service)**  
questions, please call 1.800.SAWDUST (1.800.729.3878)

Or

Visit [www.milwaukeetool.com](http://www.milwaukeetool.com) to find your closest  
Milwaukee authorized Hydraulic repair center

Or

Return it to a MILWAUKEE *factory* Service Center location, freight prepaid and insured.  
A copy of the proof of purchase should be included with the return product.

---

If you have questions please contact Milwaukee Product Service at:

**Product Technical Support via phone at: 262.783.8642**

Or

**Via email at: [METProductSupport@milwaukeetool.com](mailto:METProductSupport@milwaukeetool.com)**

**Disassembly is not recommended and could void the warranty.**

**EXAMPLE:**  
 Component Parts (Small #) Are Included  
 When Ordering The Assembly (Large #).

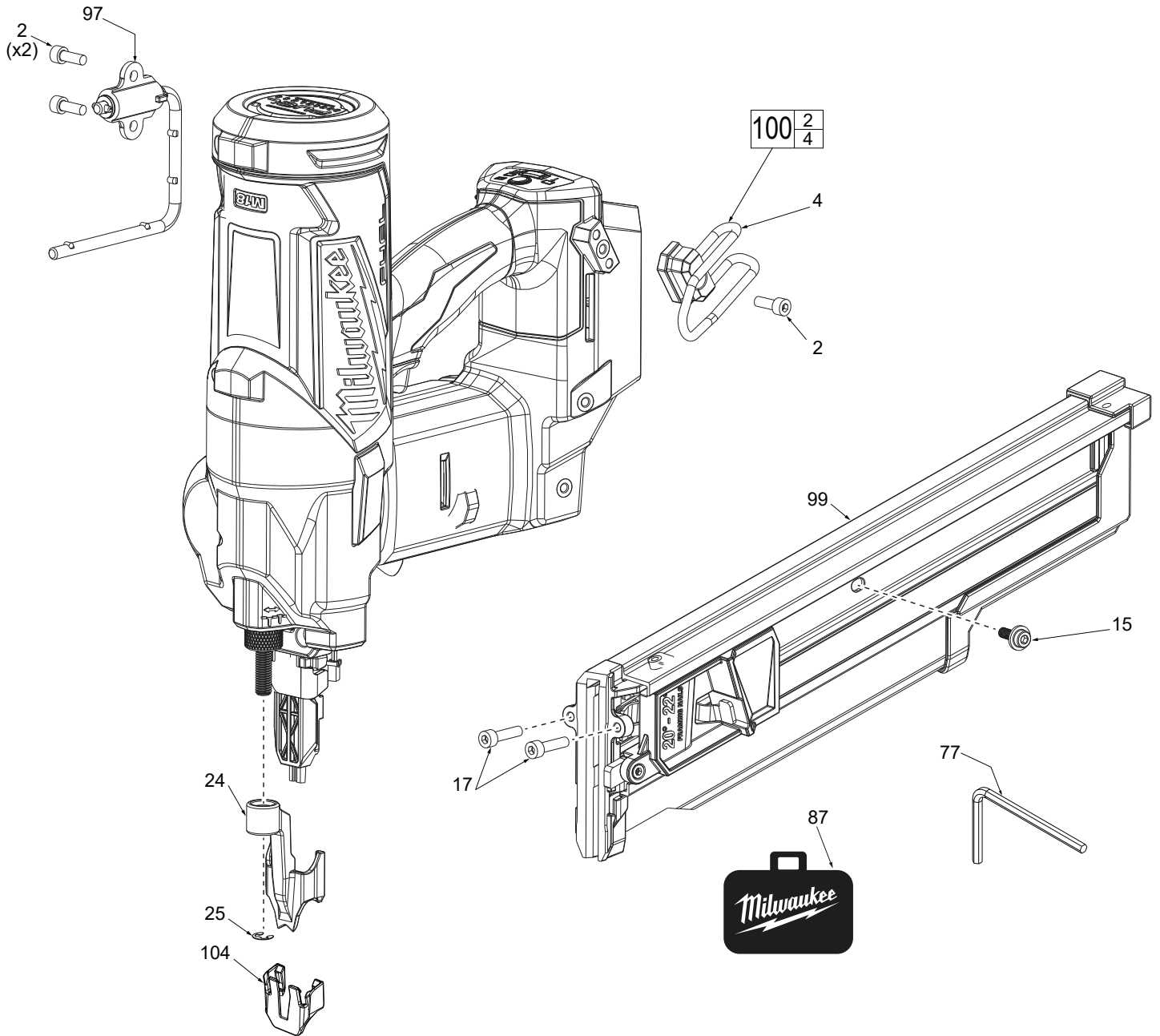


FIG.	PART NO.	DESCRIPTION OF PART	NO. REQ.
	2	05-74-0019 M5 x 14mm Cap Hd. Hex Socket Screw	(3)
	4	----- Belt Hook	(1)
	15	05-74-0021 M5 x 14mm Flanged Skt. Hd. Mach. Screw	(1)
	17	06-75-0062 M5 x 20mm Socket Hex Drive Mach. Screw	(2)
	24	44-62-0026 Work Piece Contact Bracket	(1)
	25	42-70-0550 E-Retaining Ring	(1)
	77	45-96-0024 Allen Wrench	(1)
	86	12-20-0219 Service Nameplate (Not Shown)	(1)
	87	42-55-0074 Tall FUEL Contractor Bag	(1)
	97	14-36-0031 Rafter Hook Assembly	(1)
	99	43-40-2744 Magazine Assy. (See page 3 for svc. parts)	(1)
	100	42-70-0024 Belt Clip Kit	(1)
	104	42-38-0026 No-Mar Pad	(1)

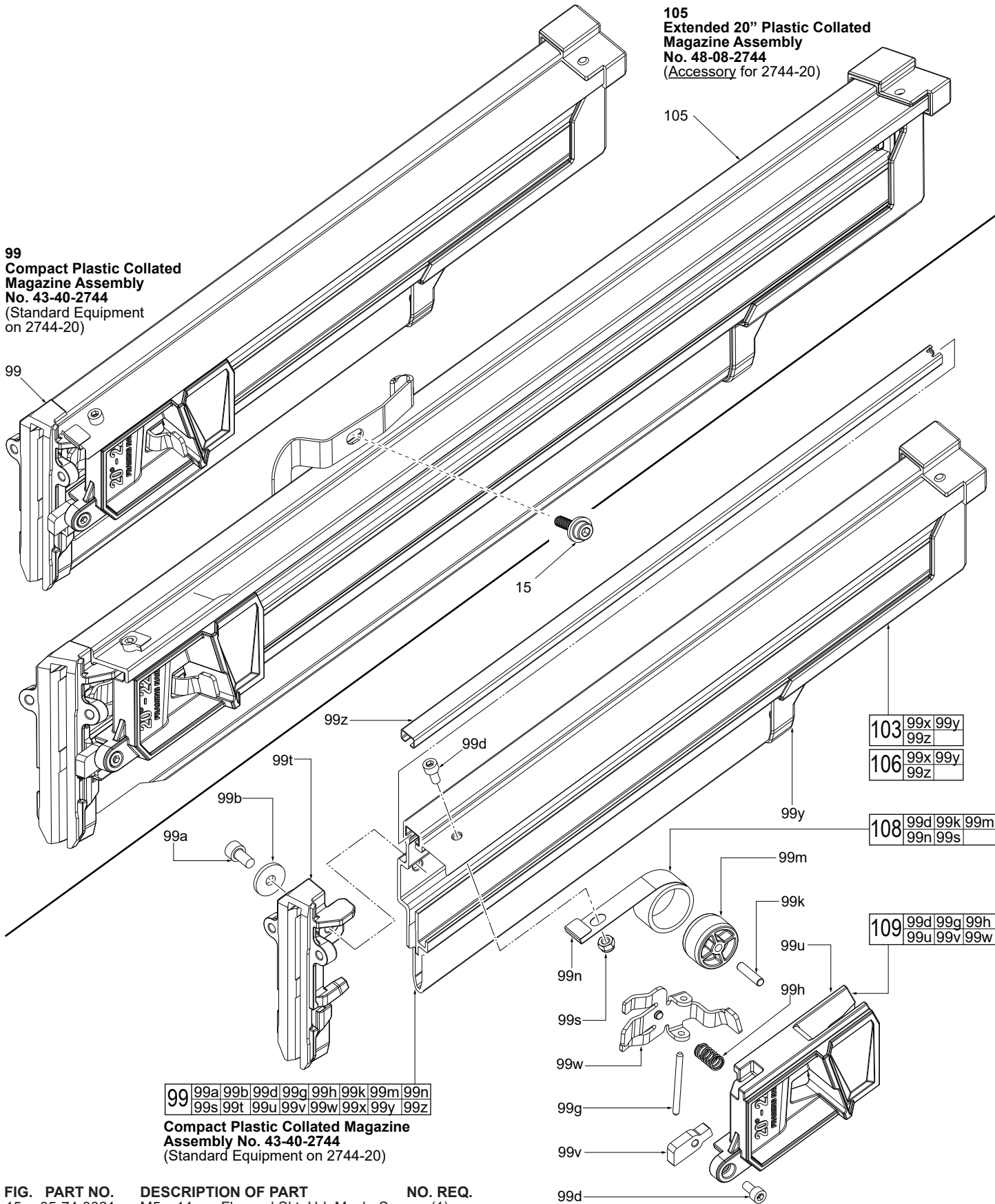


FIG.	PART NO.	DESCRIPTION OF PART	NO. REQ.
15	05-74-0021	M5 x 14mm Flanged Skt. Hd. Mach. Screw	(1)
99	43-40-2744	20°-22° Plastic Collated Magazine Assembly	(1)
99a	-----	M5 x 10mm Cap Hd. Hex Recess Mach. Sc.	(1)
99b	45-88-2045	Flat Washer	(1)
99d	-----	M4 x 8mm Cap Hd. Hex Recess Mach. Sc.	(2)
99g	-----	Slider Pin	(1)
99h	-----	Spring	(1)
99k	-----	Roller Pin	(1)
99m	-----	Roller Wheel	(1)
99n	-----	Constant Force Spring	(1)
99s	-----	Hex Nut	(1)
99t	-----	Feed Lip	(1)
99u	-----	Slider	(1)

FIG.	PART NO.	DESCRIPTION OF PART	NO. REQ.
99v	-----	Lock Out Stopper	(1)
99w	-----	Nail Pusher	(1)
99x	10-20-3201	Warning Label (Not Shown), u/o #99	(1)
99x	10-20-3118	Warning Label (Not Shown), u/o #105	(1)
99y	-----	Magazine Frame Assy. w/ Riveted End Cap	(1)
99z	-----	Nail Guide	(1)
103	43-40-2749	20°-22° Magazine Frame Assembly	(1)
105	48-08-2744	20°-22° Ext. Plastic Collated Magazine Assy.	(1)
106	43-40-2747	20°-22° Extended Magazine Frame Assy.	(1)
108	14-46-0143	Spring Roller Kit	(1)
109	44-70-2744	20°-22° Nail Pusher Assembly	(1)

**99** Compact Plastic Collated Magazine Assembly No. 43-40-2744 (Standard Equipment on 2744-20)

**105** Extended 20° Plastic Collated Magazine Assembly No. 48-08-2744 (Accessory for 2744-20)